

## Induction Cooktop

36" Induction Cooktop

FCCI3627AB

Available Colors : Black

Version : 01/22

### Cooktop

Auto Pan Detect	Yes
Bridge Element	Yes
Cooking Surface Type	Smooth

### Cooktop Performance

Right Front Element Burner Size	8"
Right Rear Element Burner Size	6"
Left Front Element Burner Size	7"
Left Rear Element Burner Size	7"
Center Element Burner Size	8"
Right Front Element Burner	2,300 / 3,600 Watts (Boost)
Right Rear Element Burner	1,450 / 2,500 Watts (Boost)
Left Front Element Burner	1,800 / 2,600 Watts (Boost)
Left Rear Element Burner	1,800 / 2,600 Watts (Boost)
Center Element Burner	2,300 / 3,600 Watts (Boost)

### Display

Control Location	Front
Display Interface Color	Red

### Dimensions and Volume

Height	2 7/8"
Width	36 3/4"
Depth	21 3/8"
Cutout Height	3 5/8"
Minimum Cutout Width	33 7/8"
Minimum Cutout Depth	19 1/8"
Maximum Cutout Width	36 1/8"
Maximum Cutout Depth	20 1/2"

### Electrical Specifications

Amps @ 240 Volts	40 Amps
Minimum Circuit Required	40 Amps

### General Specifications

Warranty - Labor	1 Year
Warranty - Parts	1 Year

### Certifications and Approvals

ADA Compliant	Yes
---------------	-----

### Safety Certifications and Approvals

UL Listed	Yes
cUL Listed	Yes
RoHS	Yes

Note: For planning purposes only. Always consult local and national electric, gas and plumbing codes.

Refer to Product Installation Guide for detailed installation instructions on the web at [frigidaire.com](http://frigidaire.com) / [frigidaire.ca](http://frigidaire.ca)

Specifications subject to change. Accessories information available on the web at [frigidaire.com](http://frigidaire.com) / [frigidaire.ca](http://frigidaire.ca)

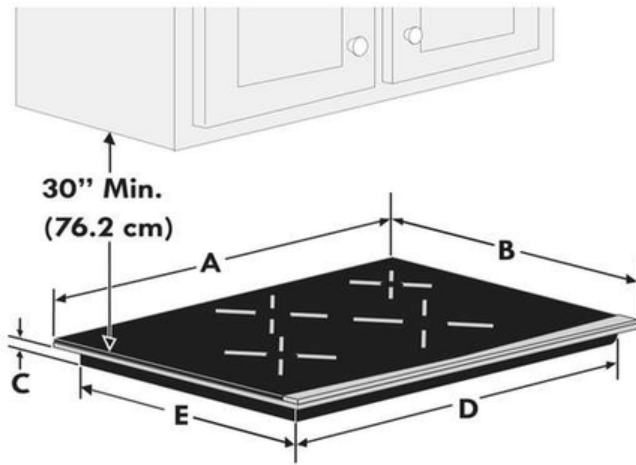
# Frigidaire

36" Induction Cooktop

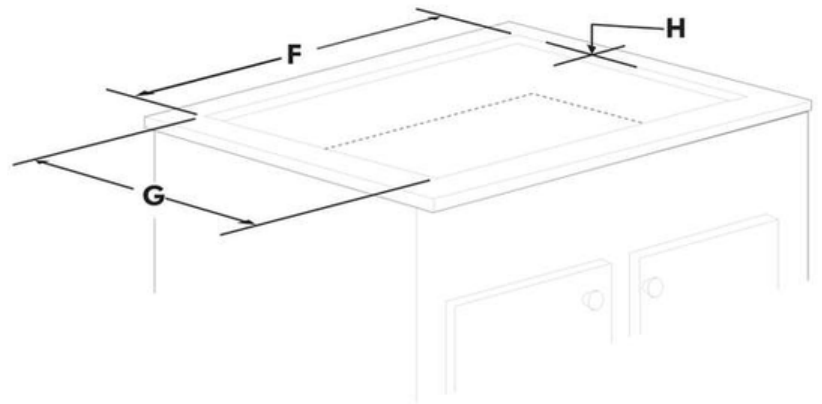
FCCI3627AB

Version : 01/22

Cooktop Dimensions



Cooktop Cutout Dimensions



COOKTOP DIMENSIONS					CUTOUT DIMENSIONS				
A. WIDTH	B. DEPTH	C. HEIGHT	D. WIDTH	E. DEPTH	F. WIDTH		G. DEPTH		H. HEIGHT
					Min.	Max.	Min.	Max.	
36 <sup>3</sup> / <sub>4</sub> (93.4)	21 <sup>3</sup> / <sub>8</sub> (54.4)	2 <sup>7</sup> / <sub>8</sub> (7.3)	33 <sup>5</sup> / <sub>8</sub> (85.4)	18 <sup>7</sup> / <sub>8</sub> (47.9)	33 <sup>7</sup> / <sub>8</sub> (86.0)	36 <sup>1</sup> / <sub>8</sub> (91.8)	19 <sup>1</sup> / <sub>8</sub> (48.6)	20 <sup>1</sup> / <sub>2</sub> (52.1)	3 <sup>5</sup> / <sub>8</sub> (9.2)

Note: For planning purposes only. Always consult local and national electric, gas and plumbing codes.

Refer to Product Installation Guide for detailed installation instructions on the web at [frigidaire.com](http://frigidaire.com) / [frigidaire.ca](http://frigidaire.ca)

Specifications subject to change. Accessories information available on the web at [frigidaire.com](http://frigidaire.com) / [frigidaire.ca](http://frigidaire.ca)

USA • 10200 David Taylor Drive • Charlotte, NC 28262 • 1-800-FRIGIDAIRE • [frigidaire.com](http://frigidaire.com)

CANADA • 5855 Terry Fox Way • Mississauga, ON L5V 3E4 • 1-800-265-8352 • [frigidaire.ca](http://frigidaire.ca)