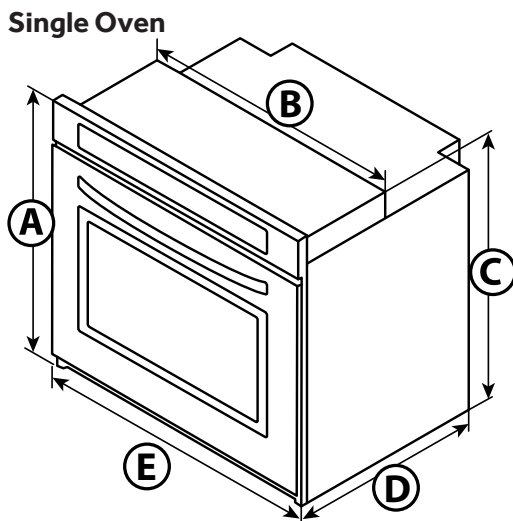


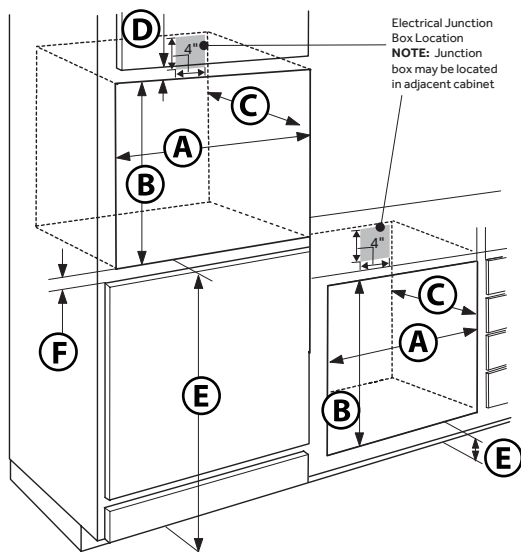
PRODUCT DIMENSIONS



Letter	Single Oven Dimensions
A	28 ⁷ / ₁₆ " (72.2 cm) Height (overall)
B	28 ¹ / ₂ " (72.4 cm) Width (recessed)
C	27 ³ / ₁₆ " (69 cm) Height (recessed)
D	23 ¹ / ₂ " (59.7 cm) Depth (recessed)
E	29 ⁷ / ₈ " (75.9 cm) Width (overall)

OPENING DIMENSIONS

Single Oven - Installed in Cabinet and Installed Undercounter



		Single Oven Undercounter w/o Cooktop	Single Oven in Cabinet	Double Oven in Cabinet
(A)	Width (cutout)	28 ⁵ / ₈ " (72.7 cm)	28 ⁵ / ₈ " (72.7 cm)	28 ⁵ / ₈ " (72.7 cm)
(B)	Height (cutout)	27 ¹ / ₂ " (70 cm)	27 ¹ / ₂ " (70 cm)	50 ¹ / ₄ " (127.6 cm)
(C)	Depth (cutout)	24" (61.0 cm)	24" (61.0 cm)	24" (61.0 cm)
(D)	Top of Cutout to Bottom of Upper Cabinet Door	N/A	1 ¹ / ₂ " (3.8 cm)	1 ¹ / ₂ " (3.8 cm)
(E)	Bottom of Cutout to Floor (recommended)*	5 ¹ / ₄ " (13.3 cm)	32" (81.3 cm)	14 ³ / ₄ " (37.5 cm)*
(F)	Bottom of Cutout to Top of Cabinet Door	N/A	1 ¹ / ₂ " (3.8 cm)	1 ¹ / ₂ " (3.8 cm)
(G)	Overlap of oven with sides of cutout	11/16" (1.7 cm)	11/16" (1.7 cm)	11/16" (1.7 cm)

* Bottom of Cutout to Floor (acceptable) 4" to 14³/₄" (10.2 cm to 37.5 cm)