

FRIGIDAIRE

affinity.



Front Load Washer

FAFW3921N W

7 Wash Cycles
3.7 Cu. Ft. D.O.E.



Optional SpaceWise® Pedestal Drawer Shown



Aj Madison
Your Appliance Authority
800-570-3355

Product Dimensions

Height	36"
Width	27"
Depth	30-5/16"

More Easy To Use Features

NSF® Certified Allergen Cycle
Removes up to 95% of allergens.

Vibration Control System
Advanced vibration control keeps even oversized loads balanced for smooth, quiet operation. Ideal for second floor installation.

Express-Select® Controls
Easily select options and cycles with the touch of a button.

Fresh Water Rinse Option
An additional rinse cycle uses advanced rinse technology to effectively reduce detergents and additives.

SilentDesign™
Designed for quiet operation.

Stay-Fresh™ Door Seal

Optional Pedestal Drawer

Most Installation Options in its Class

ENERGY STAR® Most Efficient²
NSF® International Certification



Available in:



Classic White (W)

¹Based on AHAM standard for 8 lb. load for various load compositions/Quick Cycle selected.

²Recognized as the Most Efficient of ENERGY STAR® in 2012.

³Based on a 15.8 lb. load as tested per D.O.E. Protocol 10CFR430, subpart B, App. J, cl.3.1.

Signature Features



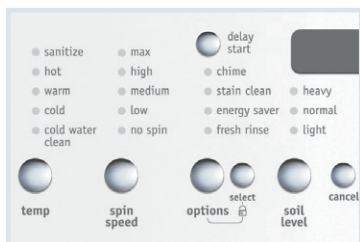
Fastest Full Load Wash¹

Wash a full load the fastest. With Quick Wash, a full load is finished in just 25 minutes.



ENERGY STAR® Most Efficient²

Recognized as the Most Efficient of ENERGY STAR® in 2012.



Energy Saver Option

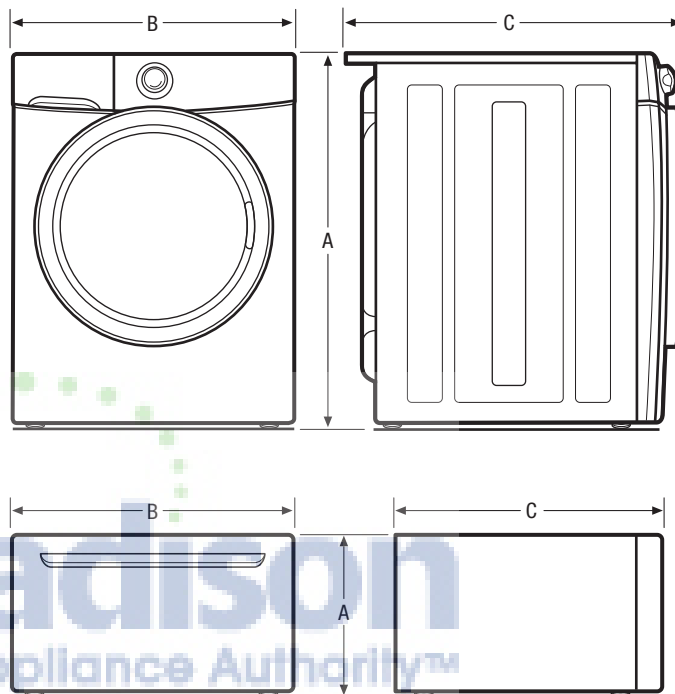
Option further reduces energy use up to 60%.³



TimeWise® Technology

TimeWise® technology ensures wash time equals dry time — so you don't wait for clothes to dry.

Features	
Total Capacity D.O.E. (Cu.Ft.)	3.7
Controls	Express-Select®
Washer Drum Interior	Stainless Steel
Lifetime Warranty Tub	Yes
Interior Light/ Door Trim	No/ Color-Coordinated
Vibration Control System	Yes
WaterFall™ Wash Technology	
Wash System	Immersion Care™
Advanced Rinse Technology	Yes
TimeWise® Technology	Yes
Ready Clean™/ Ready Steam™	
Fresh Water Rinse Option	Yes
Stay-Fresh™ Door Seal	Yes
Automatic Temperature Control	Yes
Automatic Water Level Adjustments	
Auto Prewash Detergent Dispenser	
Auto Bleach Dispenser	Yes
Auto Detergent Dispenser	Yes
Auto Fabric Softener Dispenser	Yes
Time Remaining Indicator	Yes
Cycle Status Lights	Yes
Cycle Signal/ Cycle Signal "On/Off"	Chime/ Yes
Cycle Signal Volume Control	
Door Lock Indicator Light	Yes
Control Lock/ Stay Put Door	Yes/ Yes
Start/ Pause/ Cancel Buttons	Yes
Energy Saver Option	Yes
Delay Start	Up to 14 Hours
Integral Water Heater	Yes, 1000 Watts
Tumble Speed (RPM)	Variable
Spin Speed (Maximum RPM)	1200
Sound Package	SilentDesign™
Adjustable Leveling Legs	Yes
Cycles	
Wash Cycles/ Specialty Cycles	7/ 0
Options	
Water Temperature Selections	5
Water Levels	Automatic/ Max Fill
Spin Speed/ Soil Level Selections	5/ 3
Allergen	
Optional Accessories	
Dryer Stacking Kit	PN# STACKIT4X
15" Frigidaire Affinity® Pedestal Drawers	
Classic Red (R)	
Classic Silver (A)	
Classic White (W)	(W) PN# CFPWD15W
Mobile Home Installation Kit	PN# 137067200
Drain Hose Extension Kit	PN# 137098000
Certifications	
ENERGY STAR® Most Efficient ¹	Yes
NSF® Certified Sanitize/ Allergen	Yes/ Yes
Specifications	
Power Supply Connection Location	Right Top Rear
Water Inlet Connection Location	Left Top Rear
Voltage Rating	120V/ 60Hz/ 15A
Connected Load (kW Rating) @ 120 Volts ²	1.1
Watts @ 120 Volts/ Amps @ 120 Volts	1,000/ 10
Minimum Circuit Required (Amps)	15
Shipping Weight (Approx.)	222 Lbs.



Madison
Your Appliance Authority™
800-570-3355

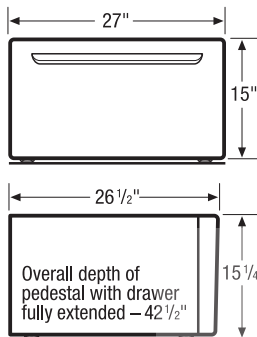
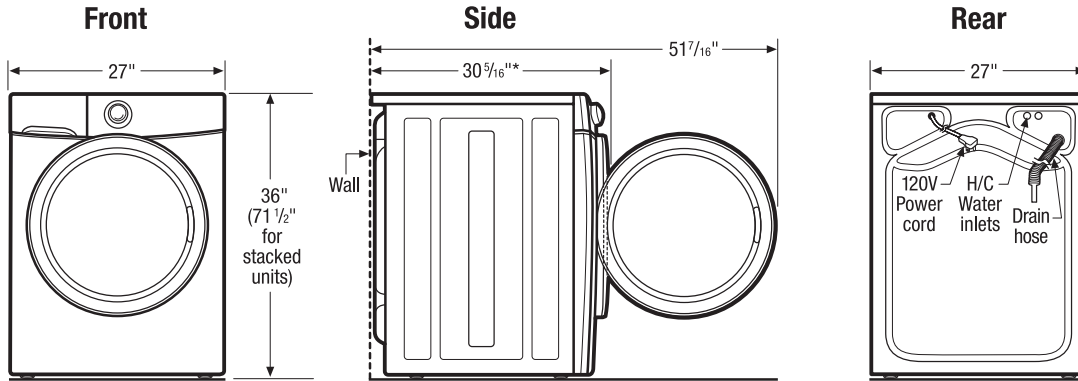
NOTE: For planning purposes only. Always consult local and national electric and plumbing codes. Refer to Product Installation Guide for detailed installation instructions on the web at frigidaire.com.



Product Dimensions	
A - Height (Single)	36"
Height (Stacked)	71-1/2"
B - Width	27"
C - Depth	30-5/16"
Depth with Door Open 90°	51-7/16"
Pedestal Dimensions	
A - Height	15-1/4"
B - Width	27"
C - Depth	26-1/2"
Depth with Drawer Fully Extended	42-1/2"

¹Recognized as the Most Efficient of ENERGY STAR® in 2012.
²For use on adequately wired 120V, dedicated circuit having 2-wire service with a separate ground wire. Appliance must be grounded for safe operation.

Accessories information available on the web at frigidaire.com

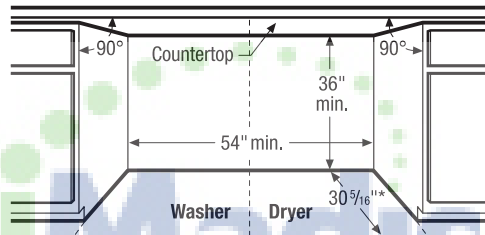


15" Drawer Pedestal Installation

Elevates washer height to 51 1/4". For detailed pedestal installation, refer to instructions included with pedestal or on web. **Note:** Pedestal Installation requires modified utility hookup locations. For details, refer to Product Installation Guide on web.

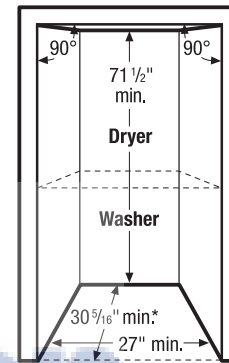
Built-In Installations

For built-in installations, NO minimum clearance required around sides or backs of units. For closet installation, allow additional 1" clearance between fronts of units and door. Location of plumbing, exhaust and utility hookups MUST be considered in built-in installations. For additional installation details, refer to Product Installation Guides on web.



Side-by-Side Units in Under-Counter Installation
Can be installed with standard countertop and/or cabinetry.

*To achieve minimal installation depth dimensions, dryer MUST be vented straight back. For installation with quick-turn 90° elbow, refer to Product Installation Guide on web for approximate clearances incurred with multi-directional exhausting options in freestanding, pedestal-mounted, or stacked installation.



Stacked Units in Recessed or Closet Installation

For detailed stacked installation, refer to instructions included with Stacking Kit or on web. **Note:** Stacked installation requires modified utility hookup locations for dryer. For details, refer to Product Installation Guide on web.

800-570-3355

Front Load Washer Specifications

- Product Shipping Weight (approx.) - 222 Lbs.
- An electrical supply with grounded three-prong receptacle is required. The power supply circuit must be installed in accordance with current edition of National Electrical Code (ANSI/NFPA 70) and local codes & ordinances. (Do not use same circuit as dryer.)
- Voltage Rating - 120V/60 Hz/15 Amps
- Amps @ 120 Volts = 10 Amps
- Equipped with 120V 3-wire power supply cord, approx. 60" long.
- Always consult local and national electric & plumbing codes.
- To maximize detergent effectiveness, ambient temperature should never be below 60° F.
- Can be installed alone, with or without optional 15" Drawer Pedestal, or stacked below matching Frigidaire® Affinity Dryer, which requires installation of optional Dryer Stacking Kit. (For installation details, refer to instructions included with optional pedestal or stacking kit or on web.)
- Can be built in with matching Frigidaire® Affinity Dryer in under-counter, recessed or closet installation. (Refer to Built-In Installations on this page for cutout dimensions. For additional installation details, refer to Product Installation Guide on web.)
- Closet installation requires vented door with 2 unobstructed louvered openings, minimum 60 sq. in. each, located 3" from top and bottom of door. Full-length 120 sq. in. opening also acceptable. Allow additional 1" clearance between fronts of units and closed door.
- Do NOT install in area exposed to dripping water or outdoor weather conditions, or where gasoline or other flammables, including automobiles, are kept or stored.

- Floor MUST be solid with 1" maximum slope. To minimize vibration or movement, reinforcement of floor may be necessary. Do NOT install on carpeted surface.
- Leveling legs supplied to level washer properly and reduce excessive noise and vibration.
- H/C water faucets MUST be installed within 42" of washer's water inlet and MUST be 3/4" to connect to 43" inlet hoses.
- Water pressure MUST be between 30 and 120 psi with NOT more than 10 psi pressure difference between hot and cold.
- Drain required with standpipe diameter of 1-1/4" min. and height of 24" min./96" max. above floor, capable of eliminating 17 gallons per minute. Attached 52" drain hose can reach 74"-high standpipe. For higher standpipe, optional Drain Hose Extension Kit available.

Note: For planning purposes only. Refer to Product Installation Guide on the web at frigidaire.com for detailed instructions.

Optional Accessories

- Dryer Stacking Kit - (PN # STACKIT4X).
- 15" Classic White Drawer Pedestal - (PN # CFPWD15W).
- Mobile Home Installation Kit - (PN # 137067200).
- Drain Hose Extension Kit - (PN # 137098000).

