



**F7PBM36S2 - L**  
**F7PBM36S2 - R**  
**F7IBM36O2 - L**  
**F7IBM36O2 - R**  
**F7IBW24O2 - L**  
**F7IBW24O2 - R**  
**F7PBW24S2 - L**  
**F7PBW24S2 - R**

**FRIDGE**

**RÉFRIGÉRATEUR**

**REFRIGERADOR**

**EN** INSTALLATION GUIDE

**FR** NOTICE D'INSTALLATION

**ES** GUÍA DE INSTALACIÓN



TABLE OF CONTENTS	PAGE
<b>1. Important Instructions</b>	<b>2</b>
1.1 Important safety instructions	2
1.2 Children safety	2
<b>2. Technical Requirements</b>	<b>3</b>
2.1 Appliance features and installation requirements	3
2.2 Installation niche features: Professional Built-In Series	4
2.3 Installation niche features: Professional Series	5
<b>3. Preparing The Installation</b>	<b>6</b>
3.1 Transport to installation site and unpacking	6
3.2 Electrical and Water connection	6
3.3 Energy: Alternatives and Home Automation	7
3.4 Levelling	8
<b>4. Niche Dimensions</b>	<b>9</b>
4.1 Niche Dimensions and Installation Styles: Professional Built-In Series	9
4.2 Flush installation with standard aluminum trims	9
4.3 Prominent installation with standard aluminum trims	9

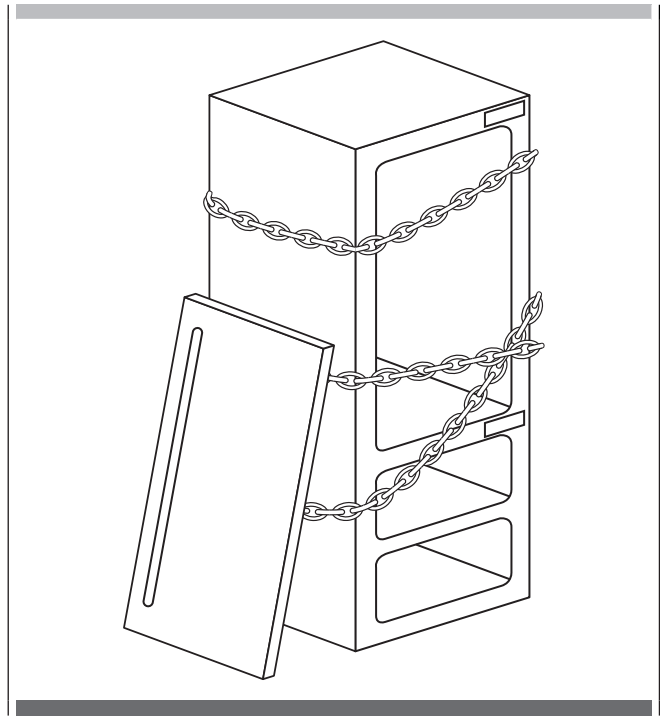
TABLE OF CONTENTS	PAGE
<b>5. Panels Mounting</b>	<b>10</b>
5.1 Decorative door and Bottom-Drawer panels layout	10
5.2 Decorative panels layout for Fridge with one Bottom-Drawer	12
5.3 Decorative panels layout for Fridge with Glass door and one Bottom-Drawer	13
5.4 Panels Dimensions Single Bottom - Drawer	14
5.5 Mounting the handles	15
5.6 drawer	16
<b>6. Installation</b>	<b>18</b>
6.1 Built-in installation single appliance	18
6.2 Built-in installation two or more appliances	19
6.3 Maximum cabinet depth over "Integrated" refrigerator with single door panel	21
<b>7. 7. Completing The Installation</b>	<b>22</b>
7.1 Anti-tipping safety assembly	22
7.2 Mounting the handles on stainless front	23
7.3 Ventilation	23
7.4 Post installation checklist	24
7.5 Start up	24

### 1.1 Important safety instructions

Symbols used in the Guide:

- NOTE**  
Tips for the correct use of the appliance
- IMPORTANT**  
Directions to avoid appliance damage
- WARNING**  
Directions to prevent injury

### 1.2 Children safety



**DANGER:** Risk of child entrapment. Before you throw away your old refrigerator or freezer:

- Take off the doors
- Leave the shelves in place so that children may not easily climb inside.

**IMPORTANT**  
Dimensions in parentheses are in inches.  
Weights in parentheses are in pounds.  
Temperatures in parentheses are in Fahrenheit degrees.



### 2.1 Appliance features and installation requirements

Appliance dimensions Professional Built-In Series	
<b>Series 24"</b>	w: 599 mm (23 5/8") h: 2120 mm (83 1/2") d: 610 mm ( 24")
<b>Series 36"</b>	w: 899 mm (35 3/8") h: 2120 mm (83 1/2") d: 610 mm ( 24")

Appliance dimensions Professional Series	
<b>Series 24"</b>	w: 599 mm (23 5/8") h: 2120 mm (83 1/2") d: 635 mm ( 25")
<b>Series 36"</b>	w: 899 mm (35 3/8") h: 2120 mm (83 1/2") d: 635 mm ( 25")

Packaging dimensions	
<b>Series 24"</b>	w: 650 mm (25 5/8") h: 2260 mm ( 89") d: 800 mm (31 1/2")
<b>Series 36"</b>	w: 950 mm (37 3/8") h: 2260 mm ( 89") d: 800 mm (31 1/2")

Weight with packaging	
<b>Series 24"</b>	up to 230 kg (507 lb)
<b>Series 36"</b>	up to 295 kg (650 lb)

<b>Voltage</b>	AC 110 - 120V 60Hz
<b>Power supply cable</b>	90° Nema 5-15P
<b>Potable water supply pressure</b>	from 0.05 MPa to 0.5 MPa (0.5 Bar - 5 Bar)
<b>Water connection</b>	3/4" NPT (1/4" elbow adapter included)
<b>Provided installation accessories</b>	<ul style="list-style-type: none"> <li>- Customized panels mounting Kit (if applicable)</li> <li>- Anti-tipping Kit</li> <li>- Lateral connecting kit</li> <li>- 4 mm (1/8") allen wrench</li> </ul>
<b>Additional equipment necessary</b>	<ul style="list-style-type: none"> <li>- Phillips head screwdriver</li> <li>- wood drill</li> <li>- 2.5 mm (1/8") bit for wood</li> <li>- 8 mm (3/8") bit for walls</li> <li>- 17 mm (11/16") wrench</li> <li>- 19 mm (3/4") wrench</li> </ul>

## 2.2 Installation niche features: Professional Built-In Series

A - area to be left clear for the anti-tipping brackets

### Minimum Niche Height

2134 mm (84")

### Minimum Niche Width

36": 902 mm (35 1/2")

24": 602 mm (23 3/4")

### Minimum Niche Depth

610 mm (24") + panel thickness for flush install

### Door Swing Clearance

36": 1470 mm (57 7/8")

24": 1170 mm (46")

### Door Opening Angle

105°

### Width

36": 899 mm (35 3/8")

24": 599 mm (23 5/8")

### Height

2120 mm (83 1/2") + 25 mm (1")

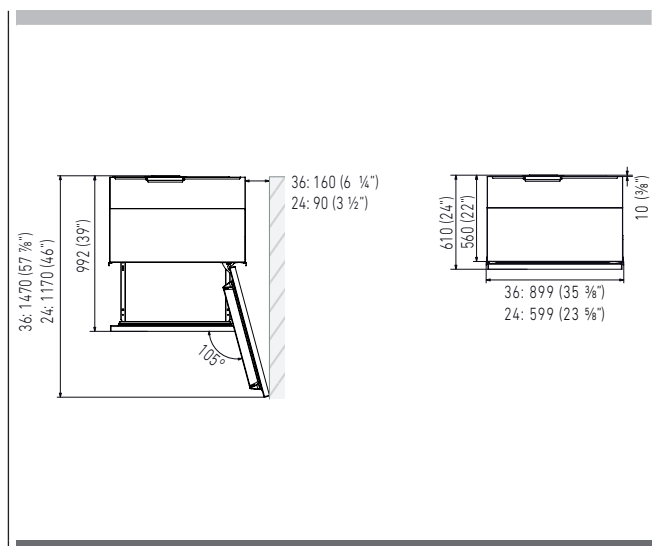
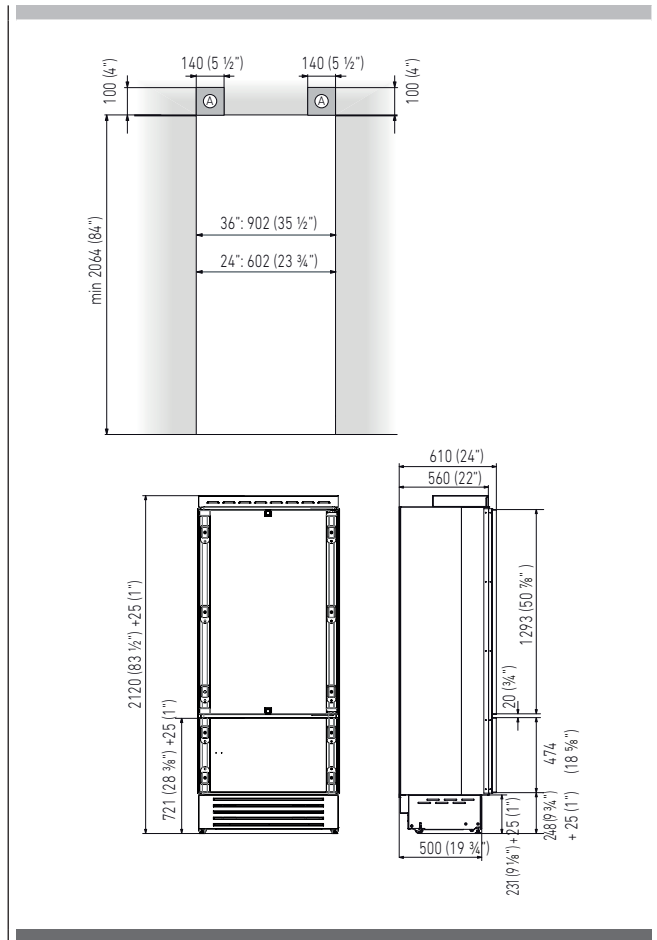
### Depth with door (without panel)

610 mm (24")

### Minimum distance from the wall (hinge side)

36": 160 mm (6 1/4")

24": 90 mm (3 1/2")



### 2.3 Installation niche features: Professional Series

A - area to be left clear for the anti-tipping brackets

**Minimum Niche Height**  
2134 mm (84")

**Minimum Niche Width**  
36": 902 mm (35 1/2")  
24": 602 mm (23 3/4")

**Door Swing Clearance**  
36": 1470 mm (57 7/8")  
24": 1170 mm (46")

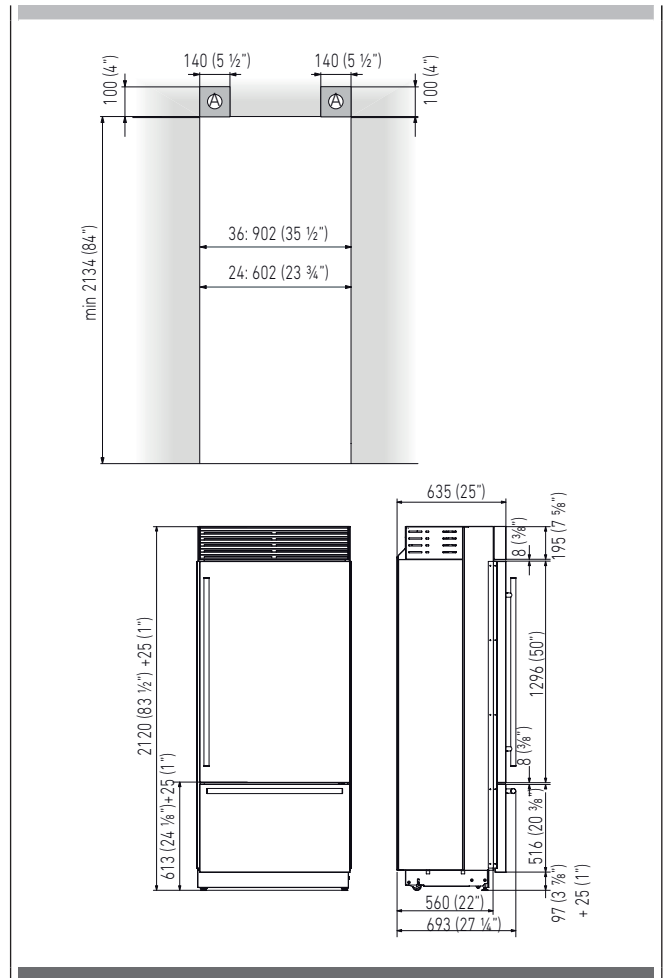
**Door Opening Angle**  
105°

**Width**  
36": 899 mm (35 3/8")  
24": 599 mm (23 5/8")

**Height**  
2120 mm (83 1/2") + 25 mm (1")

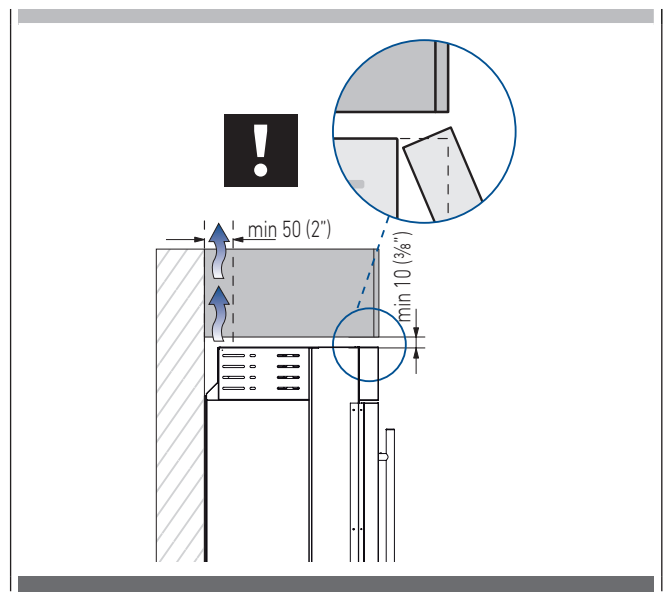
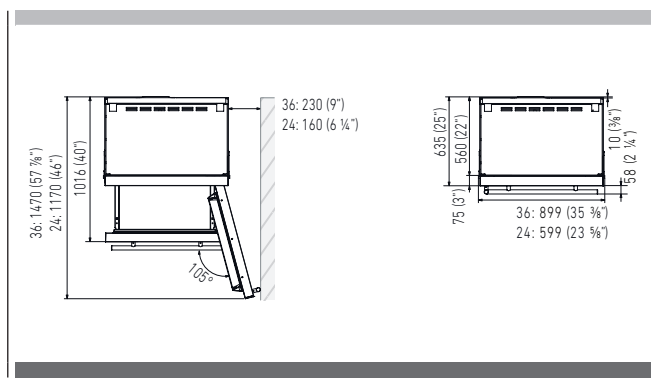
**Depth with door**  
635 mm (25 ")

**Minimum distance from the wall (hinge side)**  
36": 230 mm (9")  
24": 160 mm (6 1/4")



**! IMPORTANT**

If the units are to be installed inside a niche or within an enclosed structure, it is necessary to design a ventilation shaft at the back of the niche to assure proper ventilation at the back of the unit. Cross-sectional chimney ventilation area should equal 200cm<sup>2</sup> (31in<sup>2</sup>)



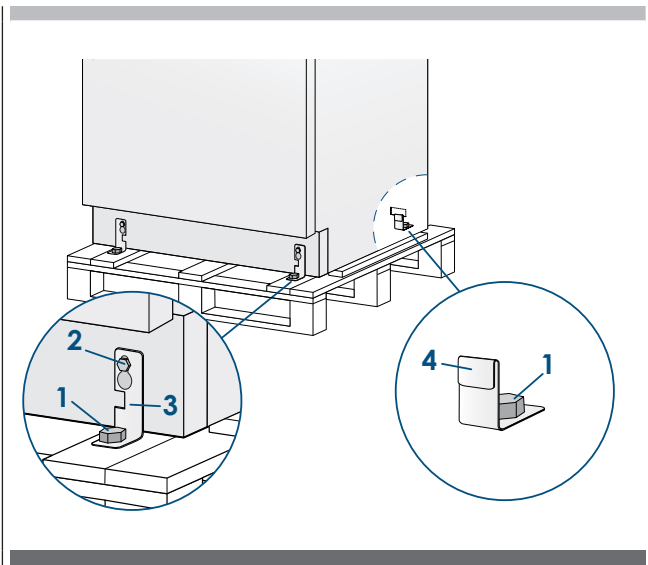
3.1 Transport to installation site and unpacking

**!!! WARNING**

The appliance is very heavy. Take maximum care during handling to avoid injury.

**! IMPORTANT**

The appliance should always be transported in an erect position. Avoid at all costs leaning it on its front side.



Since this is a large and heavy appliance, before transporting the appliance, check the access to the location where it will be installed (door size, manoeuvring space in stairwells, etc.).

The appliance is attached to the base of the packaging (pallet) through four bolts which can be removed using a 19 mm (3/4") wrench.

It is recommended to use a manual transporting device to move the appliance to the installation site, and only at this point to remove the base of the packaging.

The appliance should always be transported in an erect position.

If this is not possible, transport the appliance laying on its rear side.

Once at the installation site, the appliance, which is equipped with four wheels, can be taken off the pallet and positioned in the installation area.

**Operate as follows:**

- Take off the four bolts securing [ 1 ] the appliance to the pallet by means of a 19 mm (3/4") wrench or socket.
- Remove the fixing brackets [ 3 ] and [ 4 ].
- To release the front fixing bracket [ 3 ], unscrew the rear wheel adjusting bolt [ 2 ] by means of a 13 mm (1/2") wrench or socket. Avoid straining this bolt at its stop points one way or the other so as to not damage the rear leveling system.

Ensure the front leveling legs are retracted so that all 4 wheels are able to contact the floor for easiest maneuvering.

- From the back of the unit and by means of a suitable, high duty hand trolley, take off the appliance and place it on the floor. Be very careful to avoid any damage to floors. Delicate floors should be protected with plywood, hard cardboard or similar material panels.

3.2 Electrical and Water connection

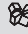
**NOTE**

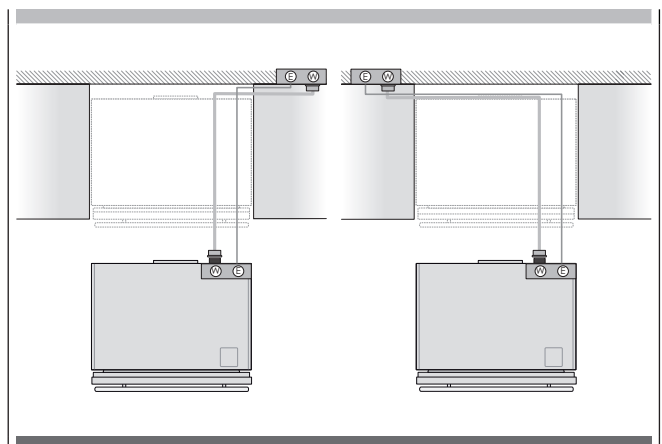
The Built-in filter cannot make it safe to drink any water which is not already suitable for human consumption.

**!!! WARNING**

The appliance should be connected only to a potable water supply system.

**! IMPORTANT**

Do not use extension cords or adapters. Once the appliance is fully installed, connected to the water supply (if applicable) and operational, in the event that the water supply must be turned off, touch the button  on control panel to disable the ice maker before the main water is shut off to prevent the appliance from entering a 'NO WATER IN' alarm state.



The appliances are delivered from the factory for operation at 110V-120V AC - 60Hz (US and Canada). They are provided with a suitable supply cable and plug to be connected to an appropriate 15A socket providing an effective grounding. A dedicated 15A circuit breaker should also be installed and should be easily accessible so that it can be easily switched off before performing any installation or maintenance.

To connect to the water supply system (for appliances equipped with ice makers) a 1/4" waterline with accessible shut-off valve must be supplied.

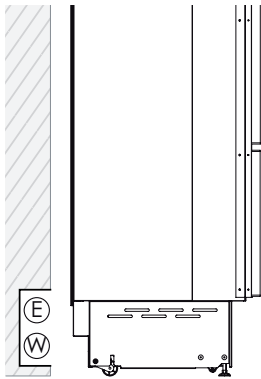
The appliance is provided with a water adapter elbow which is suitable for the recommended water pressure and complies the applicable food and water regulations. The water filter cartridge, which is provided with the appliance, should be installed according to the accompanying instructions. The solenoid connection on the appliance is 3/4" diameter but is metric threaded (NPT). A standard garden hose threaded connector such as a braided stainless hose found at typical hardware stores will strip or damage the solenoid threads. It is recommended to use only the supplied 1/4" quick connect elbow adapter for connecting a 1/4" copper or polyethylene source water line to the appliance.

### ! IMPORTANT

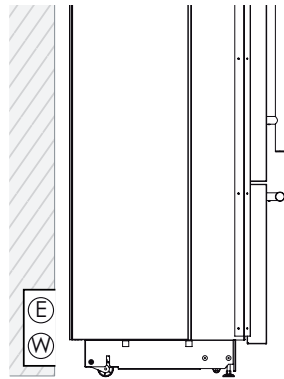
Do not use extension cords and/or multiple adapters for the power supply connection.

#### ELECTRICAL AND WATER SUPPLY BEHIND THE UNIT

##### Professional Built-In Series



##### Professional Series

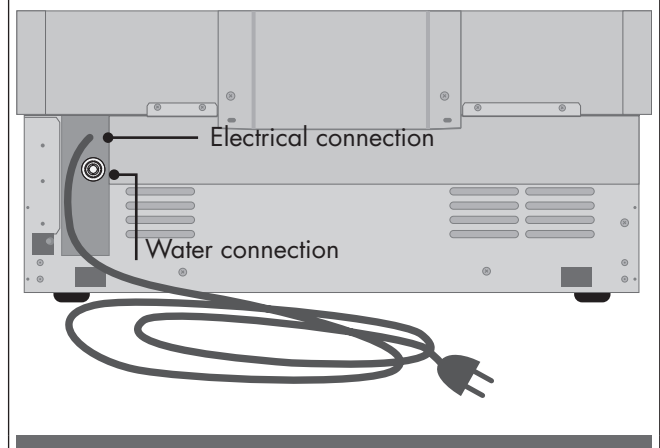


### 3.3 Energy: Alternatives and Home Automation

If energy is supplied through an alternative energy power source (solar, geothermal, etc..) or if home automation systems are installed with carrier signals in the power lines, it may be necessary to install an isolation transformer (not supplied) to prevent interference with the appliance's electronics.

#### Professional Built-In Series:

FIG.1 - BACK OF APPLIANCE



#### Operate as follows:


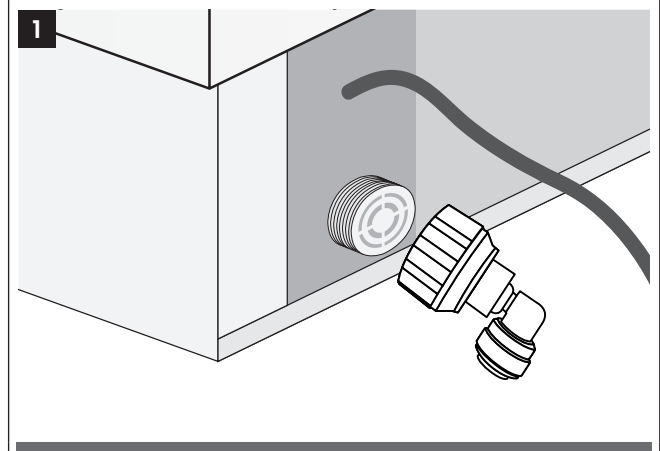
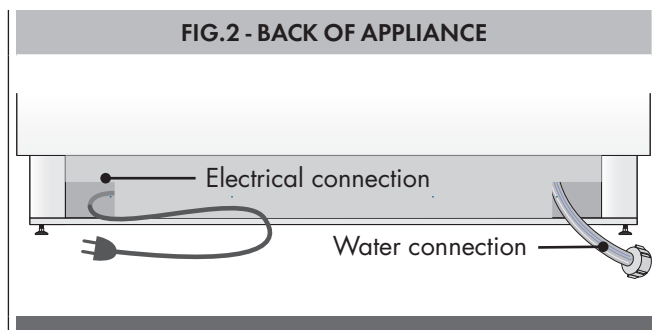
- Unwind the electric cable and connect it directly to the wall socket.
- Make sure the appliance is in the Stand-by condition and that all lights are off; should it be not so press the Unit button  to switch it off.


FIG.1

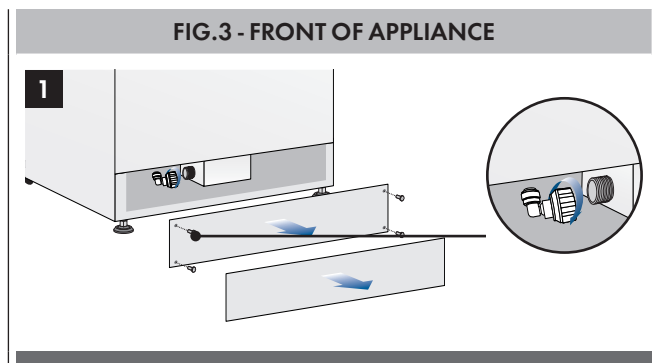


## Professional Series:



### Operate as follows:

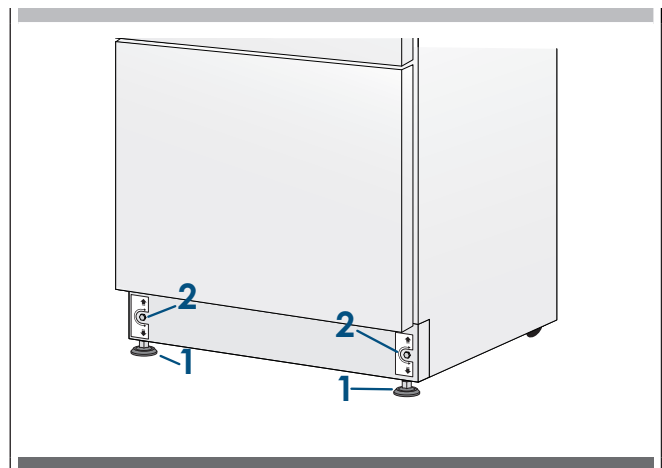
- Unwind the electric cable and connect it directly to the wall socket.
- Make sure the appliance is in the Stand-by condition and that all lights are off; should it be not so press the Unit button  to switch it off.



- Firmly tighten with fingers - a tool / wrench should not be needed to make a proper seal. Turn on the water and ensure all connections are not leaking prior to pushing the unit into the niche.

## 3.4 Levelling

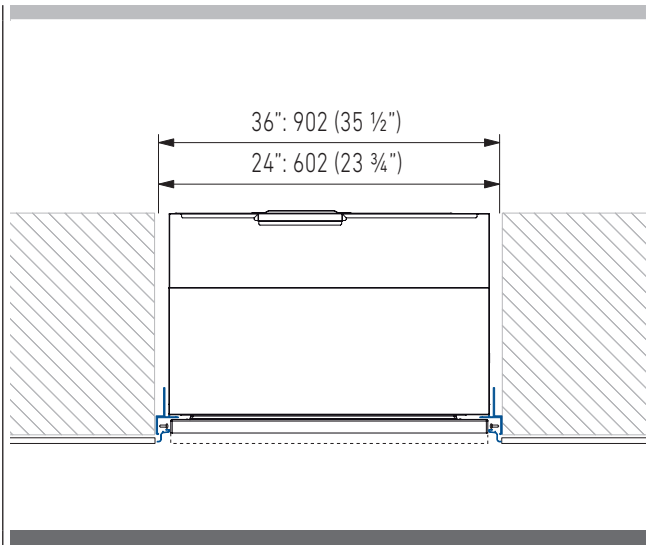
Adjust the appliance level by means of the front levelling feet and the rear adjustable wheels



### Operate as follows:

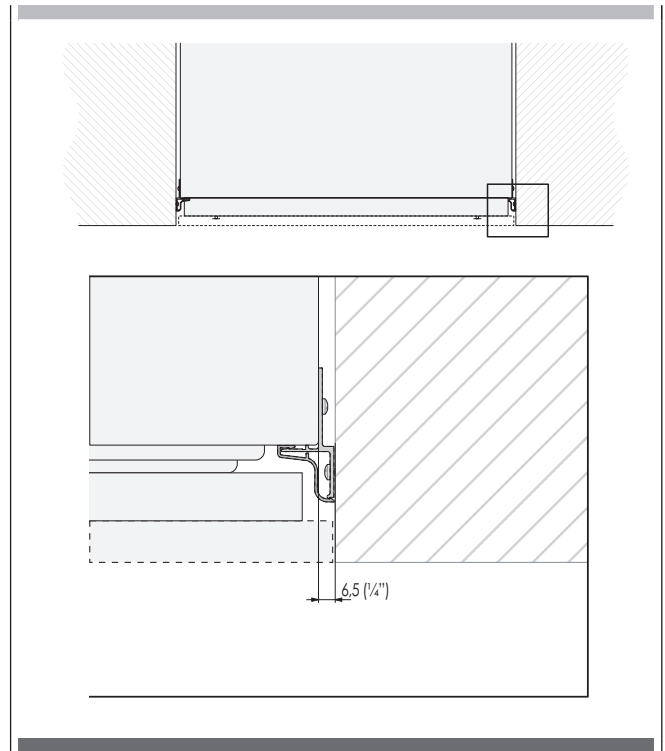
- If necessary, remove the bottom plinth or grille (it is kept in position by magnets), adjust the height of the levelling feet [ 1 ] by means of a 17 mm (1 1/16") wrench.
- Then adjust the height of the rear wheels by turning the front adjusting bolts [ 2 ] clockwise (raise) or counter-clockwise as it may be required. Take care if using a power driver for this and lower the clutch to prevent damaging the leveling mechanism.
- Remount the bottom plinth or grille.

4.1 Niche Dimensions and Installation Styles: Professional Built-In Series



Series	Niche	Panels Width
36"	902 (35 1/2")	897 (35 1/4")
24"	602 (23 3/4")	597 (23 1/2")

4.2 Flush installation with standard aluminum trims

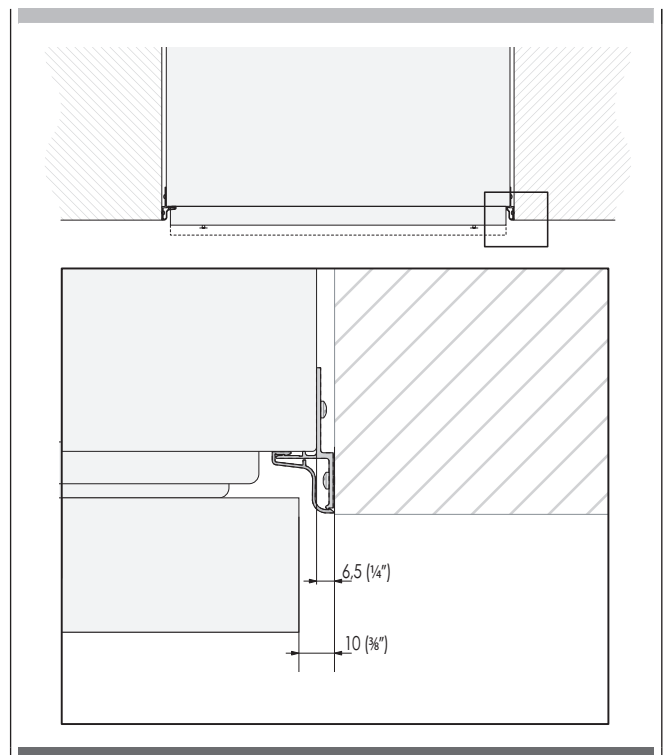


B - KCCITU: Central connection Kit

REFSBSPRO60	600/SOFIA	SOFIA 1 PIECE JOINING KIT (includes joining strip, 60" one piece upper grill & toe kick and insulated blanket)
REFSBSINT60	600/SOFIA	Destinto 1 PIECE JOINING KIT (includes joining strip only)
REFSBSPRO72	600/SOFIA	SOFIA 1 PIECE JOINING KIT (includes joining strip, 72" one piece upper grill, toe kick and insulated blanket)

(not included - must be ordered as a separate accessory)

4.3 Prominent installation with standard aluminum trims



Professional Built-In SERIES

5.1 Decorative door and Bottom-Drawer panels layout

The dimensions of the panels are indicated in the table and drawings on subsequent pages.

Nevertheless, according to the requirements for aligning with other kitchen structures, the door panel can be higher than the upper edge of the refrigerator door, and the drawer panel can be lower than the edge of the drawer.

The panels must be mounted using special brackets which attach to adjustable devices provided on the door and drawer and with brackets that anchor and adjust the panel's vertical direction.

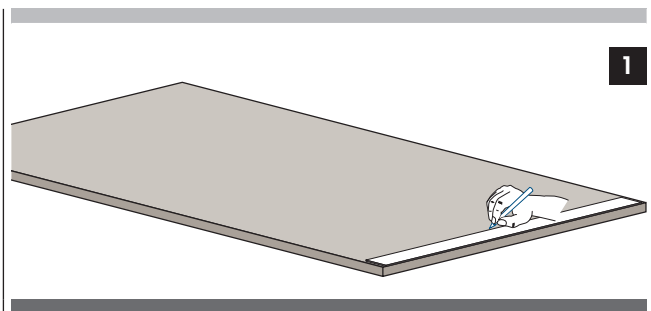
Brackets and fixing screws are provided with the appliance and must be applied to the panel as indicated.

Operate as follows:

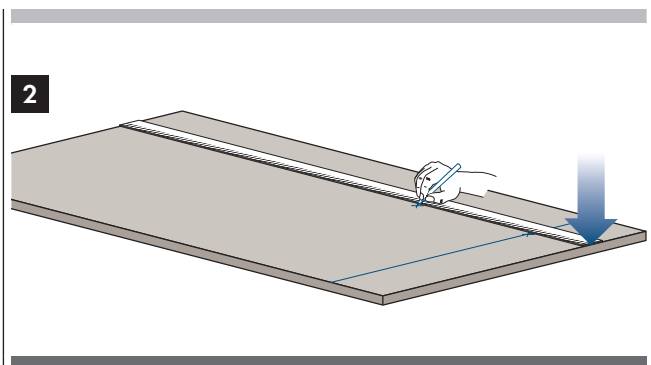
To prepare the panels to be mounted on the appliance, follow these steps, working on the back of the panel.

Door Panel

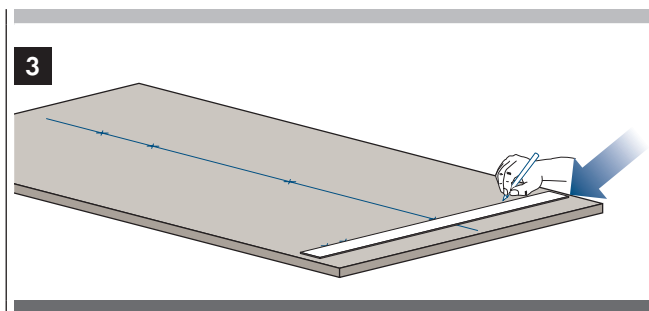
- Draw a vertical center line on the panel from top to bottom [ 1 ].



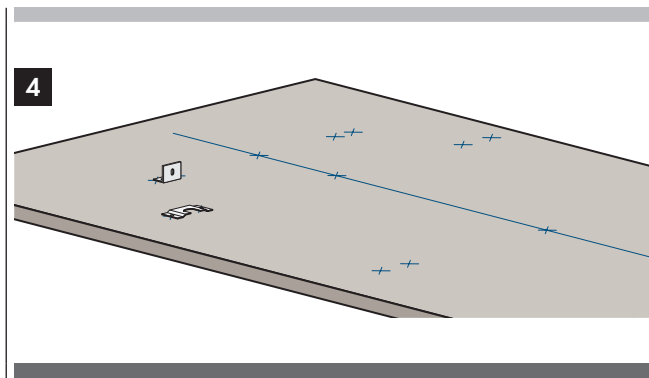
- Starting from the bottom edge of the panel, mark the positioning of the brackets [ 2 ].



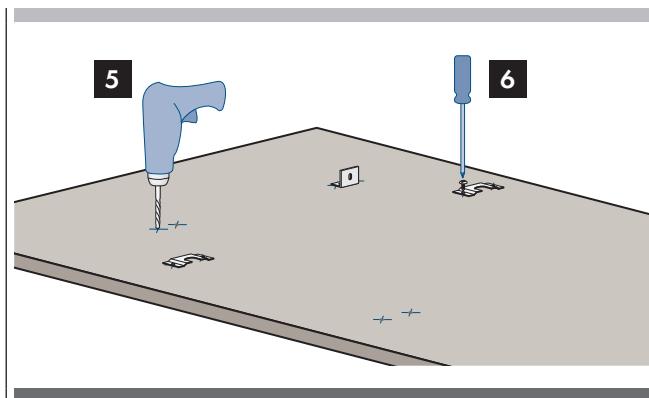
- Following the corresponding table, mark the external and then the internal hole [ 3 ].



- Position the brackets on each set of marks to make sure they are aligned [ 4 ], if you choose to drill small pilot holes for the screws pay special attention to not pass through the panel entirely. [ 5 ].



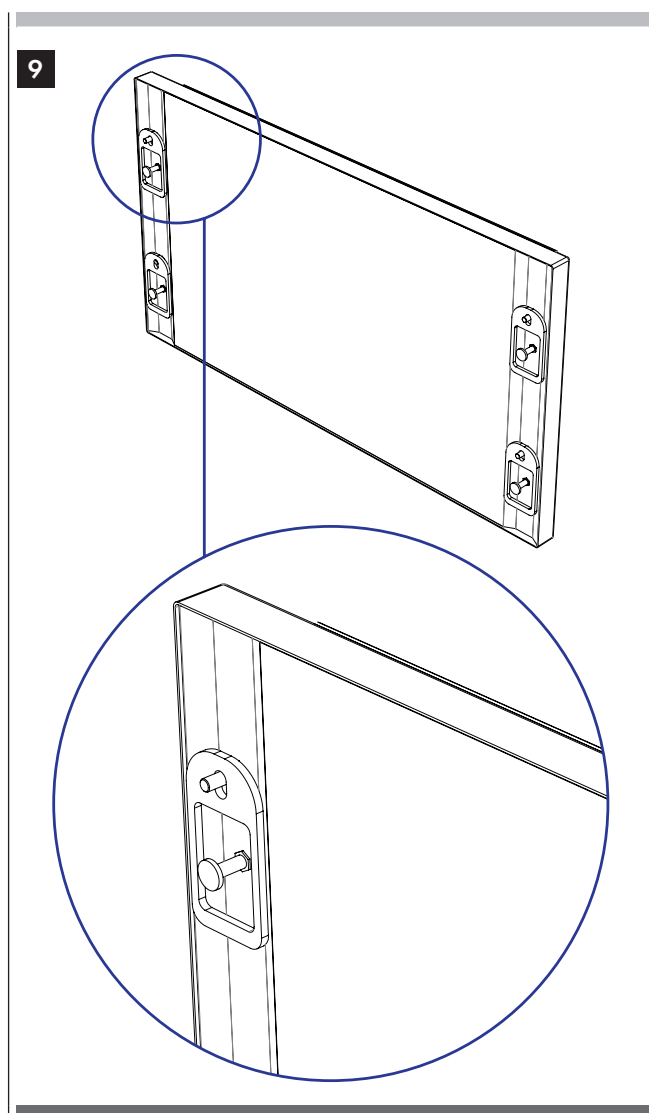
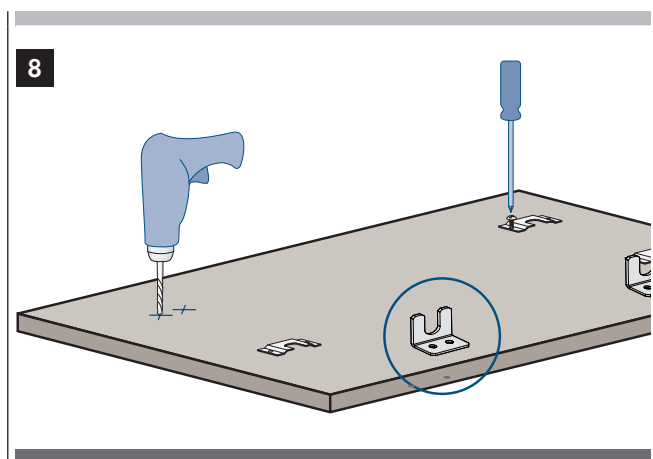
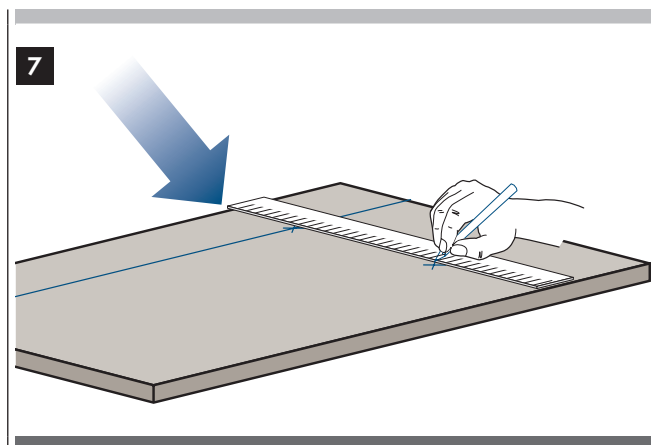
- Screw the brackets in place [ 6 ].





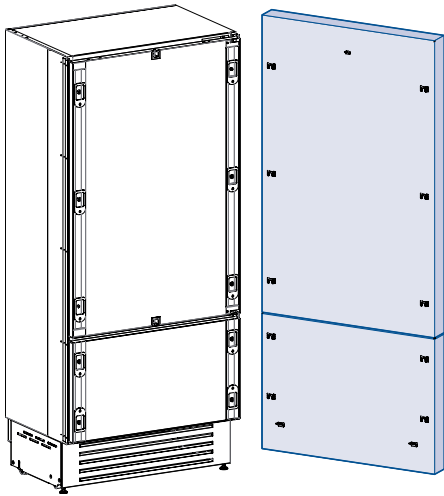
## Drawer Panel

- When preparing the Drawer Panel, follow the same instructions as per the door panel, but make sure measurements are taken starting from the top edge [ 7 ]. The height-adjustment support brackets are oriented the opposite way [ 8 ] (note imgs 4 and 8).



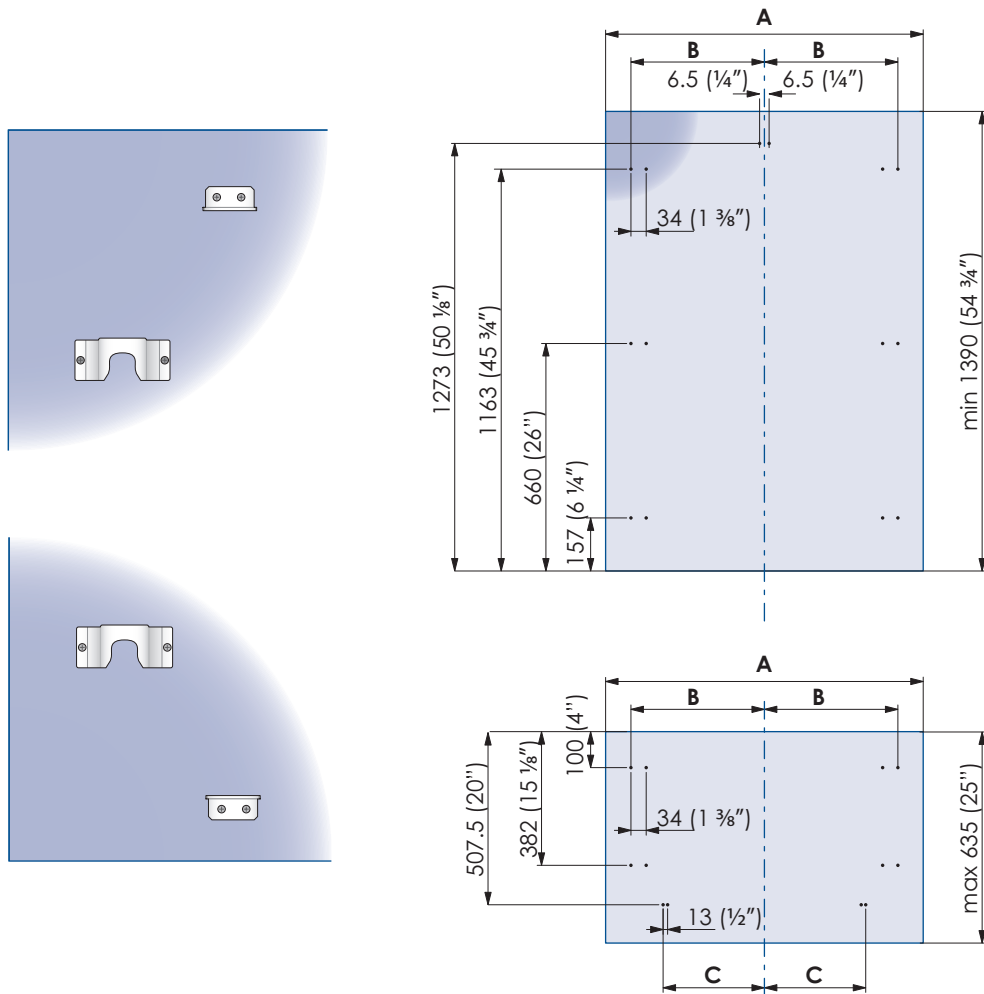
- Prepare the appliance door (and drawer(s) if applicable) for panel mounting by threading the shoulder bolts into the recessed receivers and the set screws into the other hole [ 9 ]. Ensure the end with the hex key socket is threaded into the door and not on the visible end. Thread this in far enough that it is flush with appliance door face so as not to interfere with hanging the panel. You will adjust these later.

## 5.2 Decorative panels layout for Fridge with one Bottom-Drawer

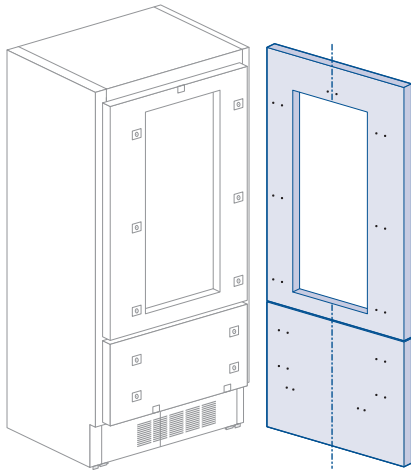


SERIES 36"	
A	897 (35 1/4")
B	417 (16 3/8")
C	354.5 ( 14")

### HOLES POSITIONS

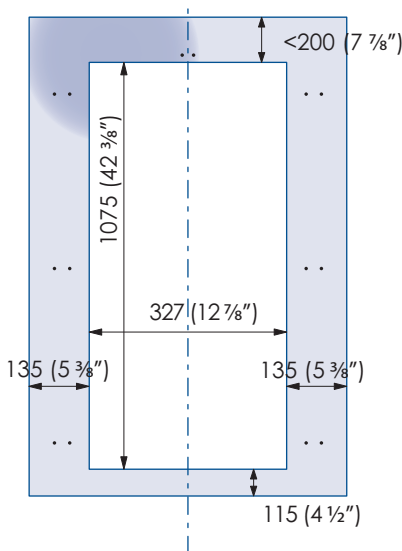


### 5.3 Decorative panels layout for Fridge with Glass door and one Bottom-Drawer

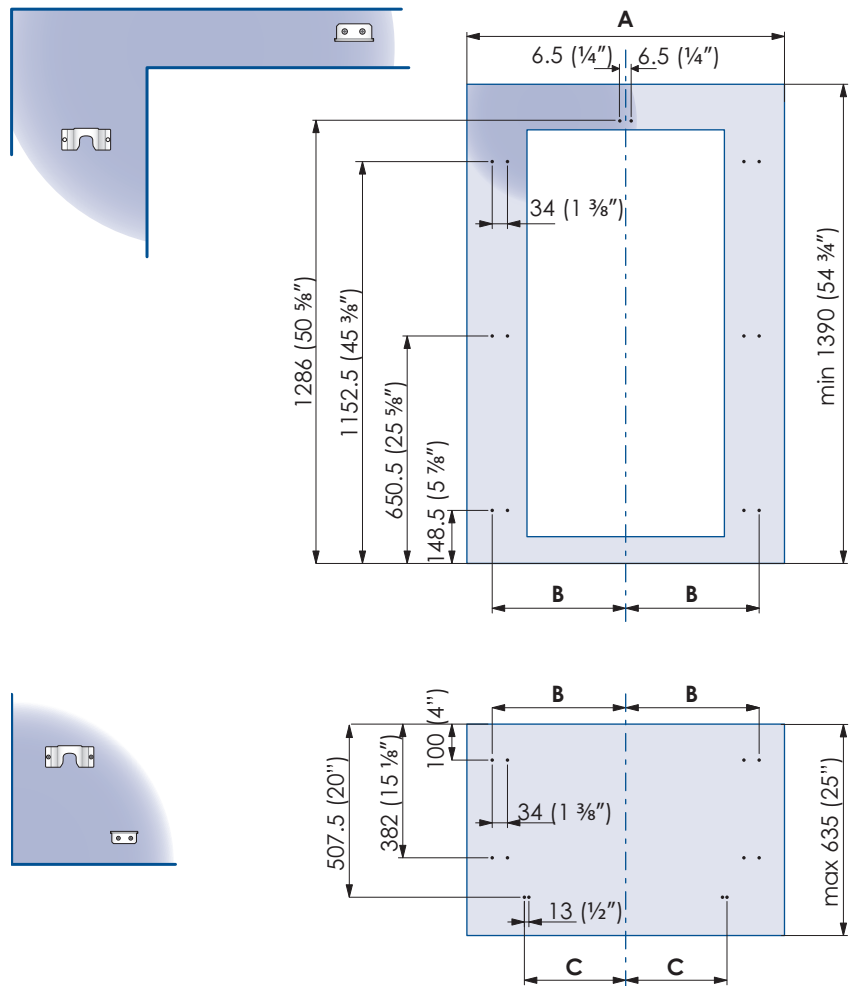


SERIES 24"	
A	597 (23 1/2")
B	276.5 (10 7/8")
C	203.5 ( 8")

#### DOOR WINDOW DIMENSIONS



#### HOLES POSITIONS



### 5.4 Panels Dimensions Single Bottom - Drawer

Panels can have thickness ranging between 18 mm (3/4") and 28 mm (1-1/8").

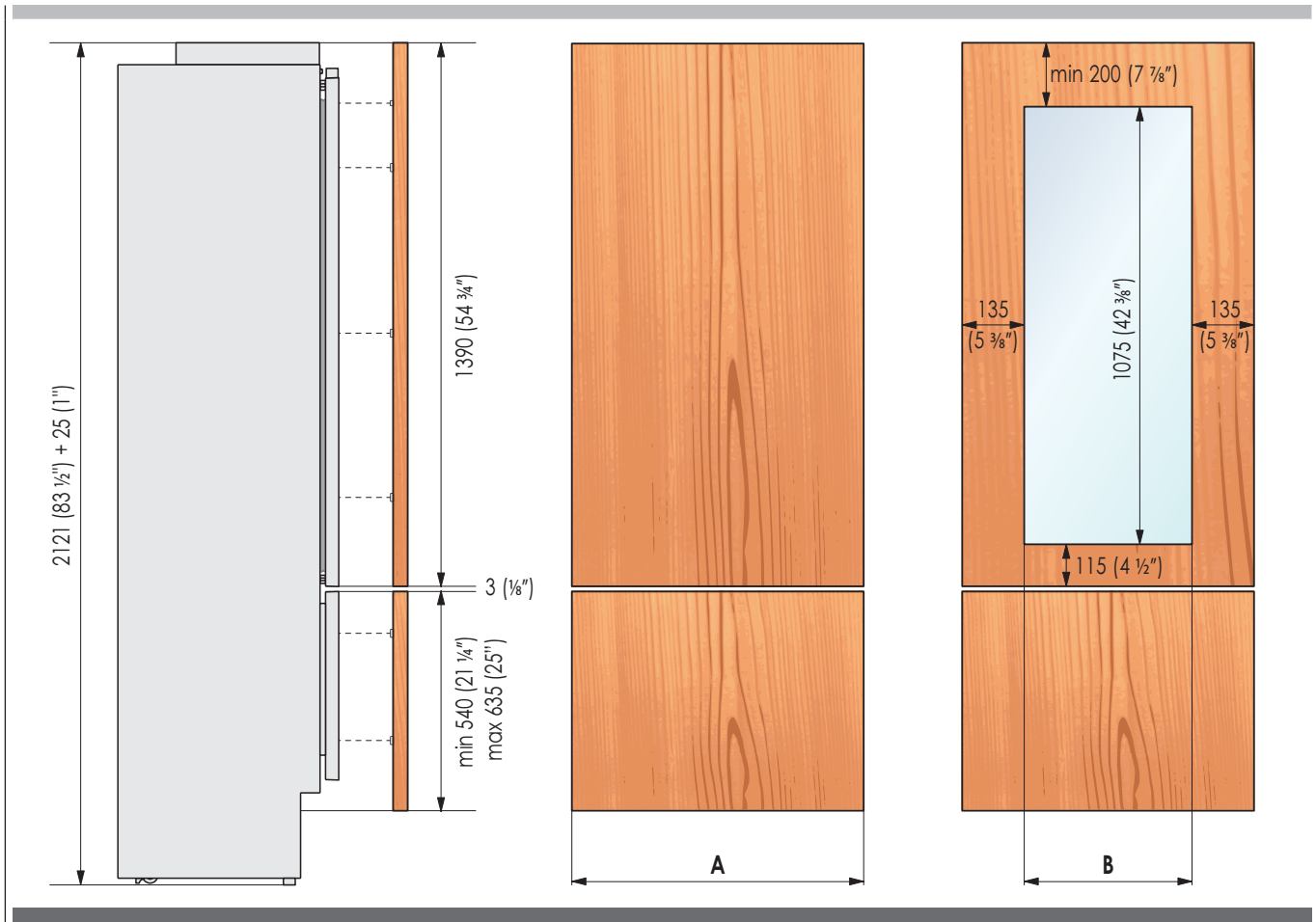
Door panels can have a maximum weight 23 kg (51 lbs) and drawer panels may be a maximum weight of 11kg (25 lbs)

Exceeding these weights could void your warranty for any service issues which can be attributed to overweight panels.

The hinging mechanism on appliances is considered to be `Zero-clearance`. The door and drawer widths specified below assume the minimum niche width is being used and a 3.5mm (1/8") reveal is desired around the panels. Adjust

your panel dimensions accordingly to your own design criteria considering your niche width and your reveal. Minimum reveal / gap should not be less than 1.5mm (1/16").

SERIES	DOOR/DRAWER WIDTH A	DOOR CUTOUT WIDTH B
36"	897 (35 1/4")	
24"	597 (23 1/2")	327 (12 7/8")



**Example:**

- 84" niche height
- 36" niche width
- 4" toe kick height
- 1/8" gap desired all around

**Door panel:**

- Width: 35-3/4"
- Height: 54-3/4"

**Drawer panel:**

- Width: 35-3/4"
- Height:  $84 - 1/8 - 54 - 3/4 - 1/8 - 4 = 25$ "

If you want a 6" toe kick height then your bottom drawer panel height would be 23"

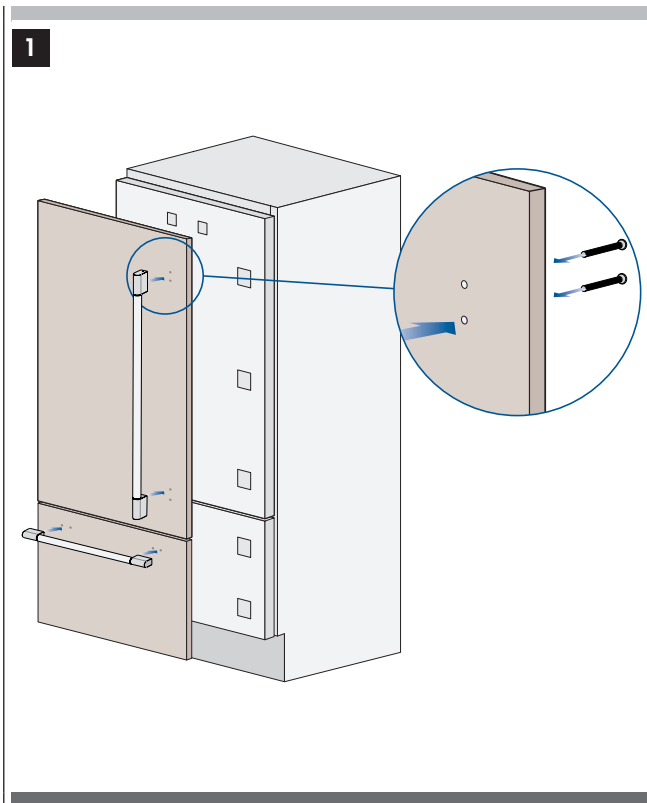
## 5.5 Mounting the handles

**NOTE**

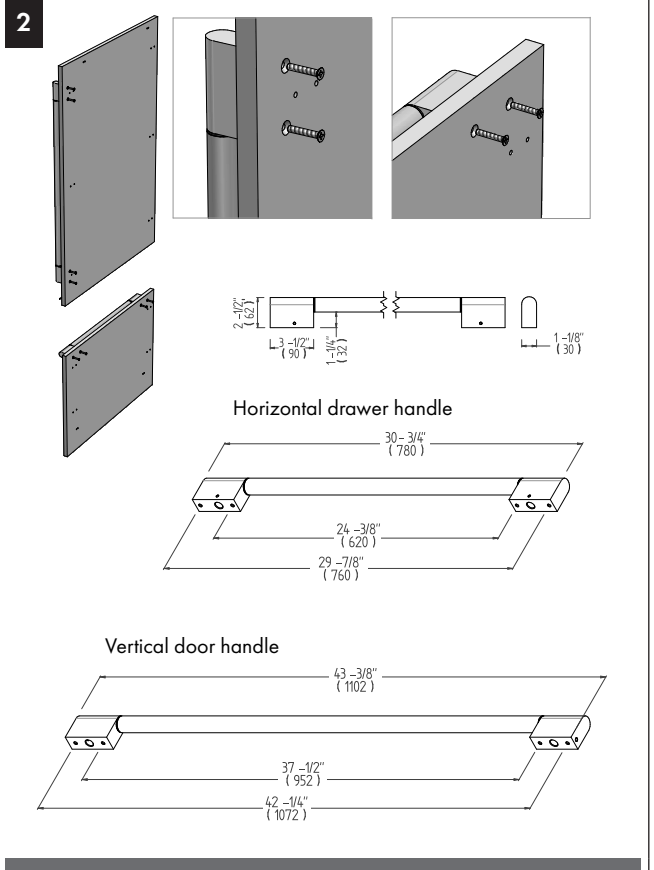
Handles will have to be mounted on the panels before they are applied to the fridge.

**Operate as follows:**

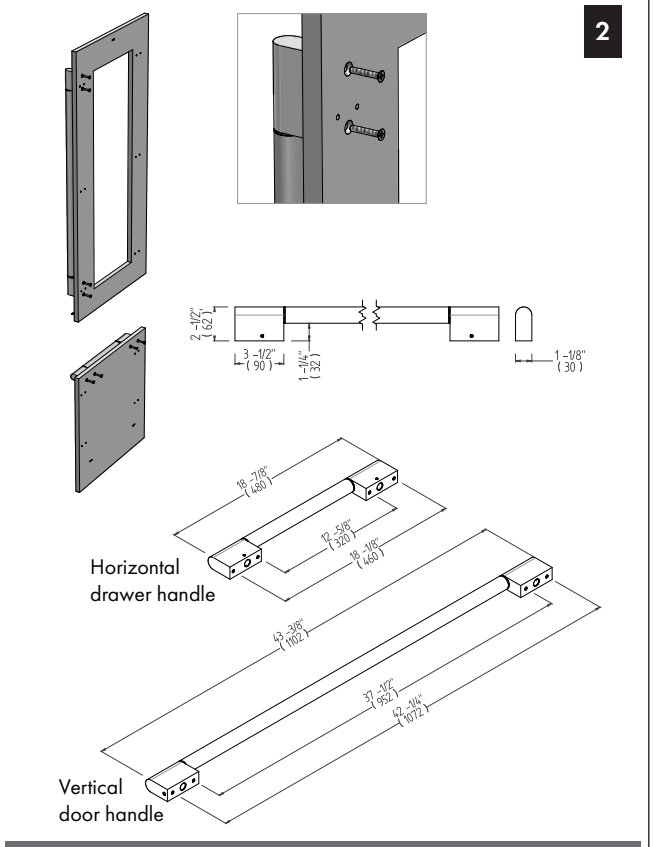
- Drill two holes on the back of the panels according to the table below [ 1 ].
- Depending on the style of panel, it may be necessary to create tapered countersinks for the screw heads



### Decorative panels layout for fridge with one bottom-drawer



### Decorative panels layout for wine cooler with glass door and one bottom-drawer



- Place the handle on top of the holes and insert the screws through the panel and into the threaded receivers in the handle [ 2 ].
- Snug firmly but do not over tighten as damage may occur to the handle or the panel

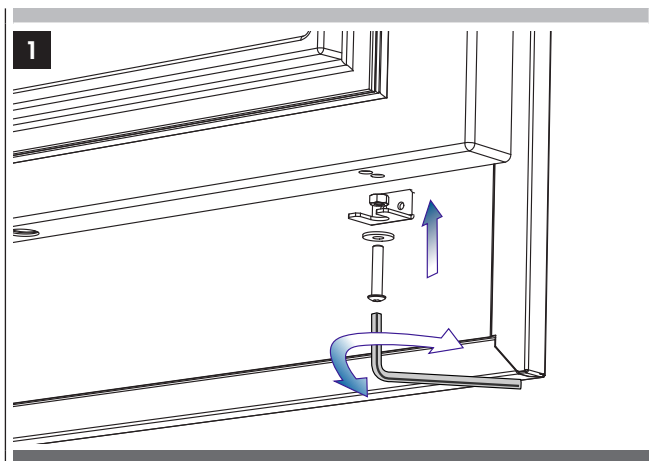
## 5.6 Mounting panels to the door and the drawer

### NOTE

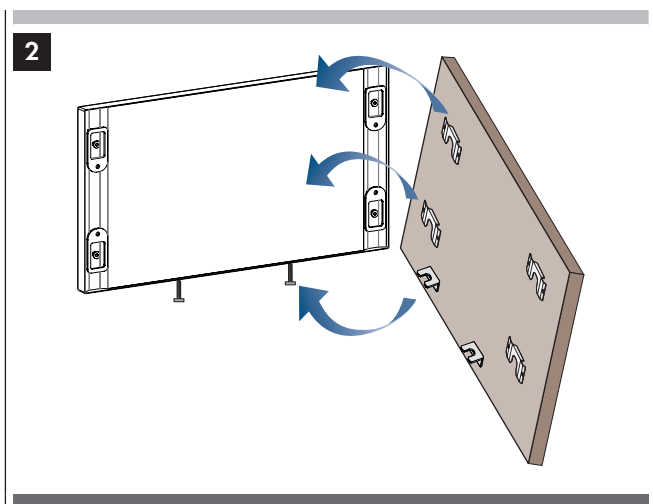
Once all brackets and small brackets have been applied to the panels, you can begin installing the bottom drawer.

### Operate as follows:

- Partially tighten the screw to the receiver [ 1 ].

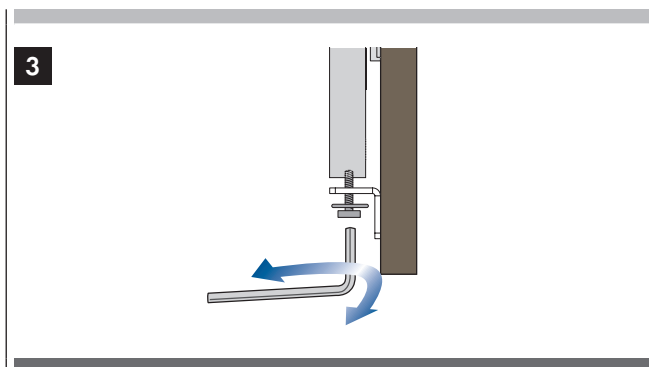


- Hook the bottom drawer panel starting from the adjustment bolts on the bottom [ 2 ].

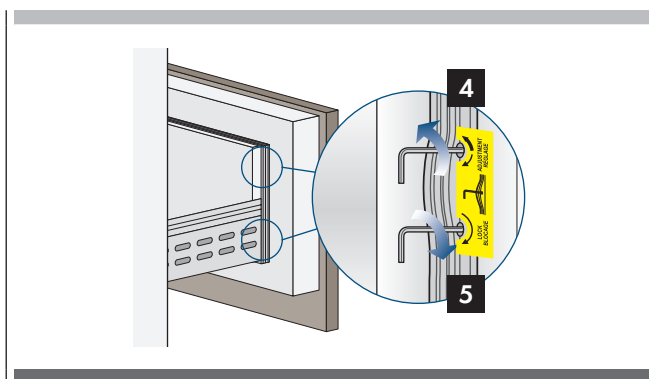


- It is now possible to align panels to adjacent cabinets in height using the lower alignment brackets, [ 3 ] tightening or untightening the screws into position as needed. With the screw slightly tightened, move the panel sideways to align it to the other panels on the unit or other adjacent structures.

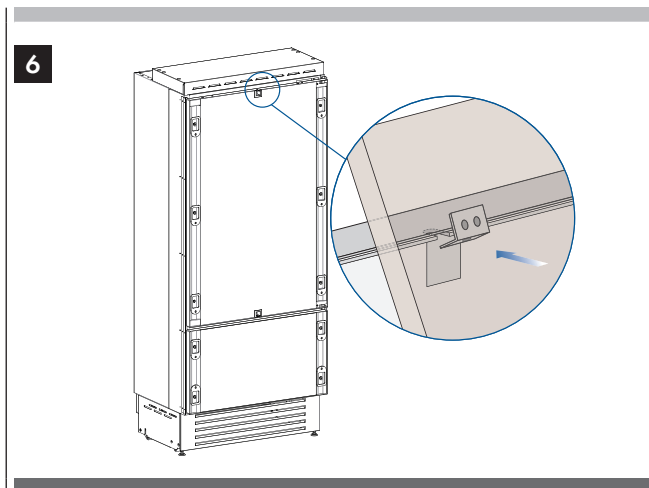
Set the bottom adjustment bolts using the lock nut once you are happy with the height alignment.



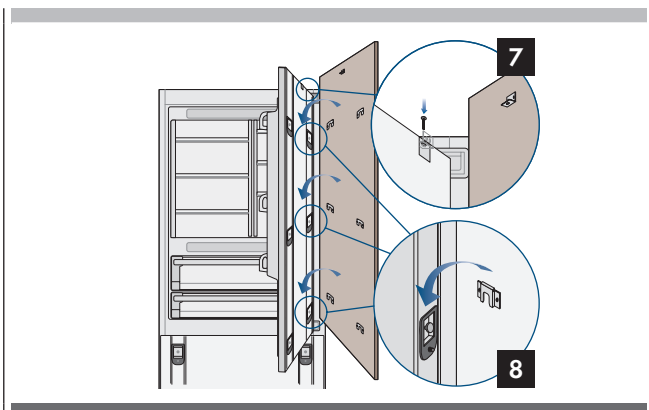
- Depth alignment: working from the inside of the drawer, after lifting up the magnetic seal, adjust the panel position in the Z-direction by adjusting the shoulder bolts and setscrews with the 4mm hex key in conjunction with each other finally locking each mounting position in place [ 4 & 5 ].



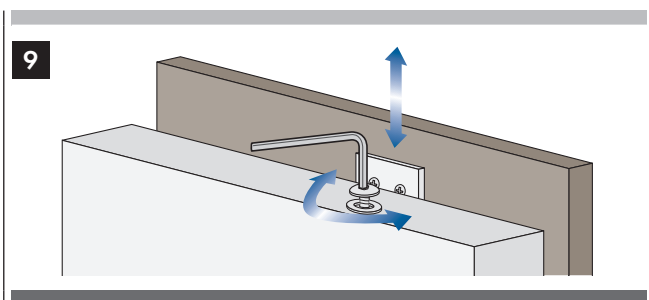
- Hook the panel to the fixing devices starting from the top aligning brackets [ 6 ].



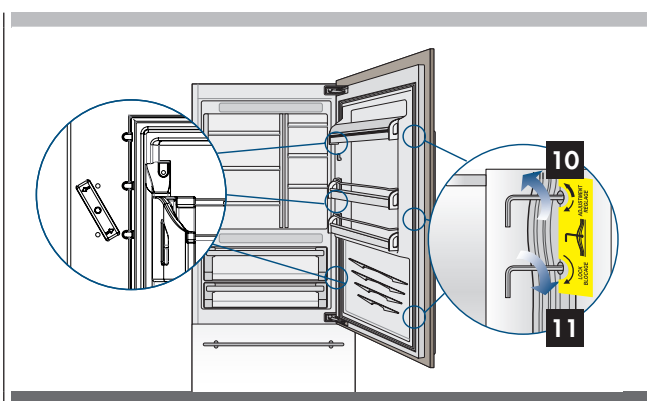
- At this point, alignment between the panel and adjacent cabinets can be adjusted using the alignment brackets and small brackets [ 7 ] and [ 8 ].



- Vertical alignment: tighten or loosen the screw in the brackets to raise or lower the panel [ 9 ].



- Depth alignment: working from the inside of the door, after lifting up the magnetic seal on the handle side and rotating the plastic covers on the hinge side, adjust the panel position in the Z-direction by adjusting the shoulder bolts and setscrews with the 4mm hex key in conjunction with each other finally locking each mounting position in place. [ 10 & 11 ].



#### NOTE

Once the front panel has been adjusted, check that the gasket has been repositioned correctly to assure the door/drawer are closing correctly and avoid operational errors of the unit.

**!** IMPORTANT

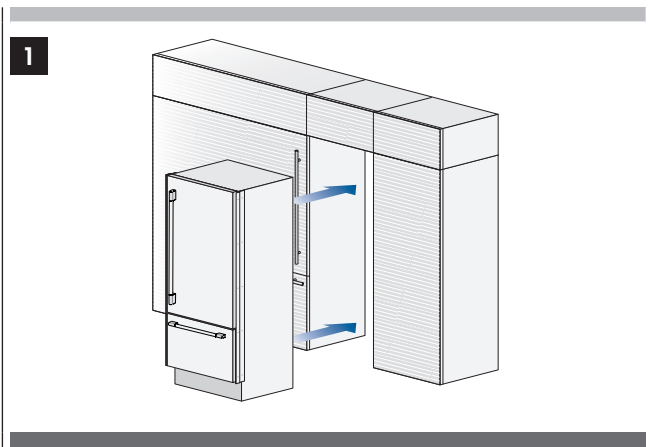
The following instruction for installation apply to all models.

**6.1 Built-in installation single appliance**

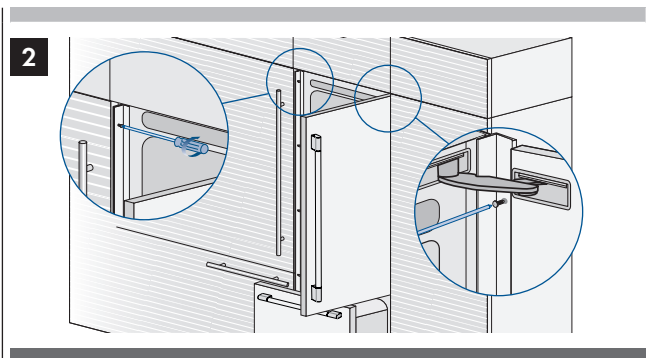
For a built-in installation, to cover gaps between the appliance and the adjacent cabinets, special side profiles and aluminum covering frames are already factory installed.

**Operate as follows:**

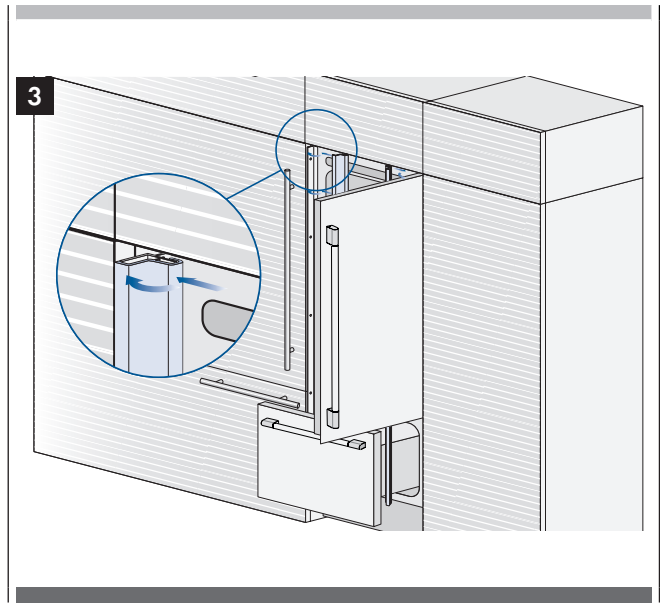
- Push the appliance into the installation niche [ 1 ].



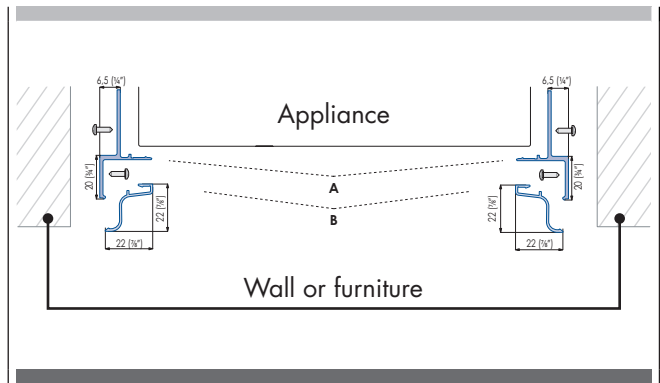
- If the unit is to be installed inside a niche or within an enclosed structure, it is necessary to provide air flow at the back of the niche to assure proper ventilation at the back of the unit. A 5 mm gap is sufficient to prevent overheating. Always mount front panels on door and drawer before pushing the unit into its final position inside the niche or structure.
- Check the levelling of the appliance, adjusting its feet and wheels to correct it.
- Secure the appliance to the adjacent cabinets by fixing to these the side profiles factory-installed on the appliance [ 2 ].  
To make this operation easier keep the door and the drawer open.



- Mount the profiles the trim covers: first insert them laterally and then push firmly until a "click" is heard [ 3 ].



**Side profiles mounting:**



A - Profile connection trim (screws for fixing to cabinetry not included)

B - Profile trim cover



## 6.2 Built-in installation two or more appliances

### Required accessories to be ordered separately:

- Central connection Kit (KCC)

<b>REFSBSPRO60</b>	600/SOFIA	SOFIA 1 PIECE JOINING KIT (includes joining strip, 60" one piece upper grill & toe kick and insulated blanket)
<b>REFSBSINT60</b>	600/SOFIA	Destinto 1 PIECE JOINING KIT (includes joining strip only)
<b>REFSBSPRO72</b>	600/SOFIA	SOFIA 1 PIECE JOINING KIT (includes joining strip, 72" one piece upper grill, toe kick and insulated blanket)

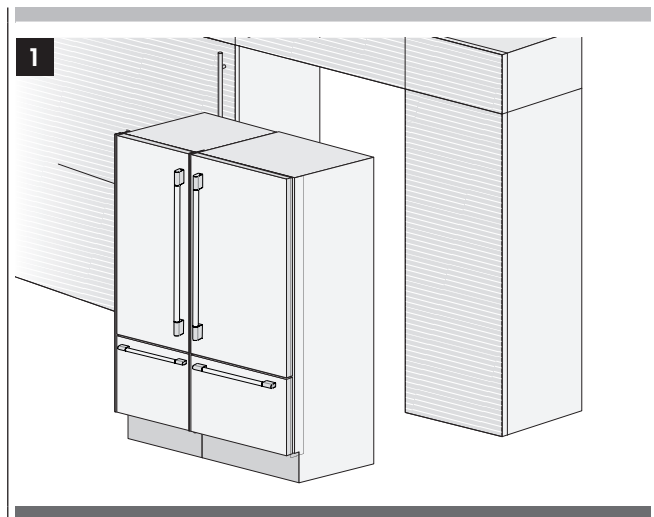


### NOTE

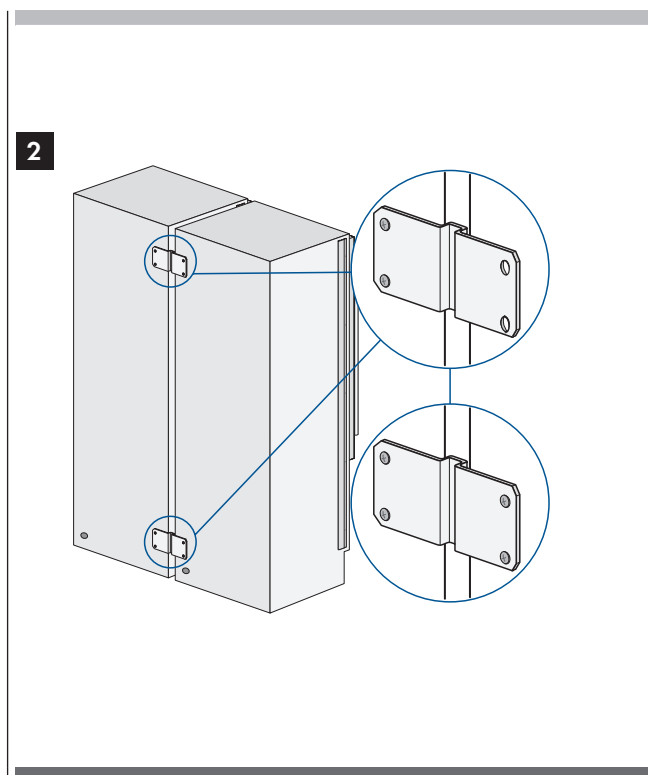
Special side profiles and aluminum covering frames are provided for closing gaps between the appliance and the adjacent cabinets.

### Operate as follows:

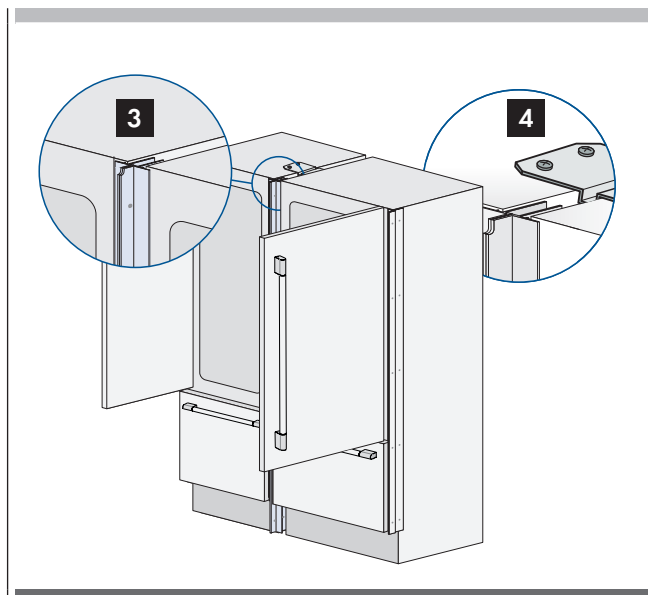
- Position the appliances in front of the installation area, leaving enough space to operate at their back [ 1 ].



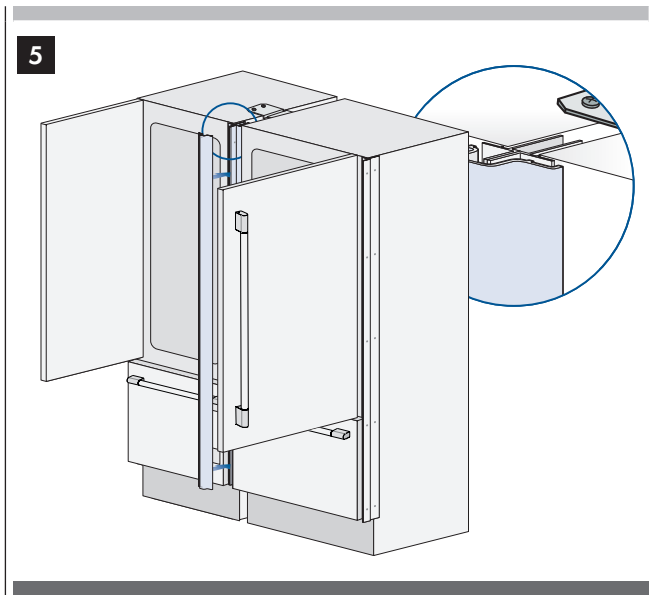
- Move to the back of the appliances to mount the joining brackets: fix one side of the top and lower brackets to one of the appliances and subsequently to the other [ 2 ].



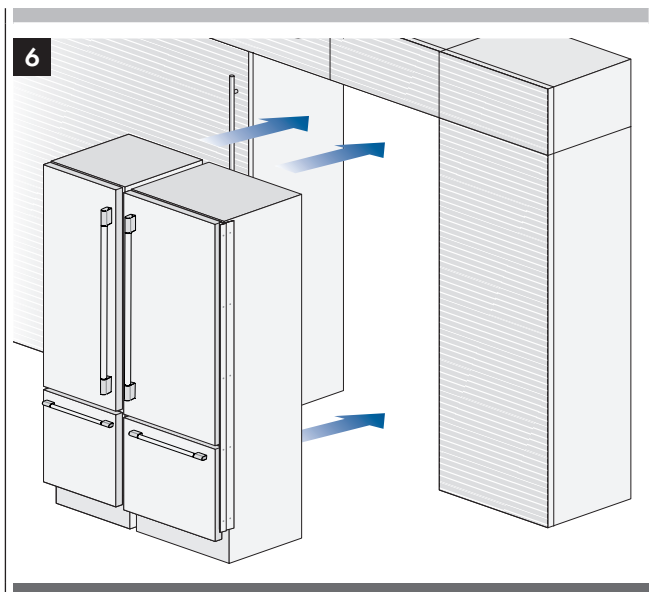
- Next join them at the front attaching the two profiles with the supplied screws or rivets [ 3 ]. Attach the bracket on top of the units (if applicable) as per figure [ 4 ].



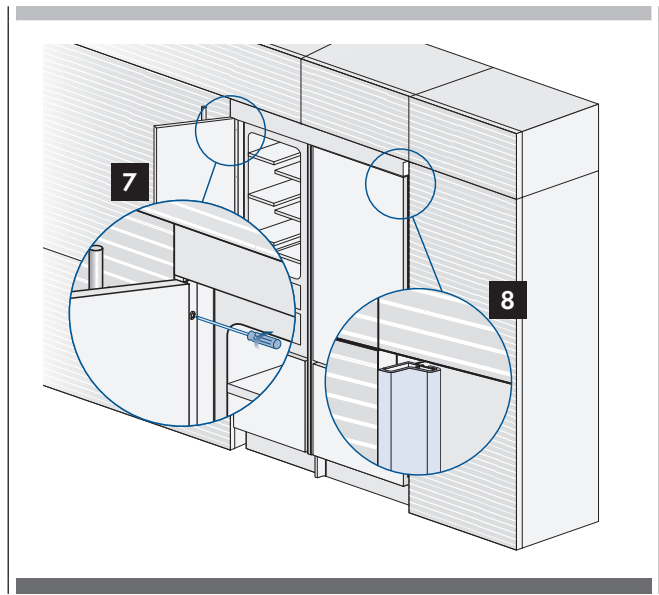
- Finish off by mounting the central profile cover onto the central profiles, by pushing it until a click is heard [ 5 ].



- Once completed, push the units into their final position [ 6 ].
- If the units are to be installed inside a niche or within an enclosed structure, it is necessary to accommodate air flow at the back of the niche to assure proper ventilation at the back of the unit of about 20mm. Always mount front panels on door and drawer before pushing the unit into its final position inside the niche or structure.
- Check the levelling of the appliance, adjusting its feet and wheels to correct it.
- Secure the appliance to the adjacent cabinets by fixing to these the side profiles trims factory-installed on the appliance [ 7 ]. To make this operation easier keep the door and the drawer open.



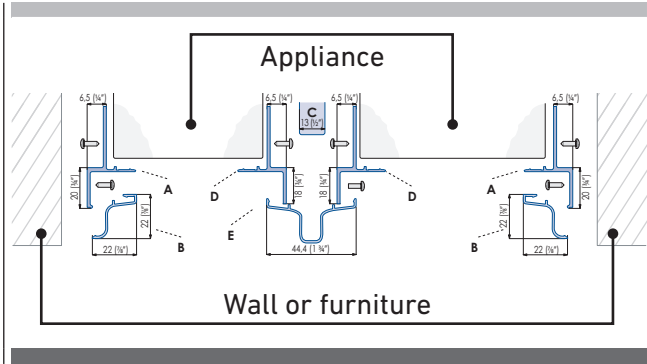
- Mount the covering frames onto the profiles, first insert them laterally and then push firmly until a "click" is heard [ 8 ].



### !!! WARNING

Take care as appliances will be front-heavy and may tip before they are secured to the adjacent furniture.

### Side and central profiles mounting:



- A - Profile connection trim (screws for fixing to cabinetry not included)
- B - Profile trim cover
- C - plastic connecting brackets
- D - Connecting element
- E - Aluminum frame

#### NOTE

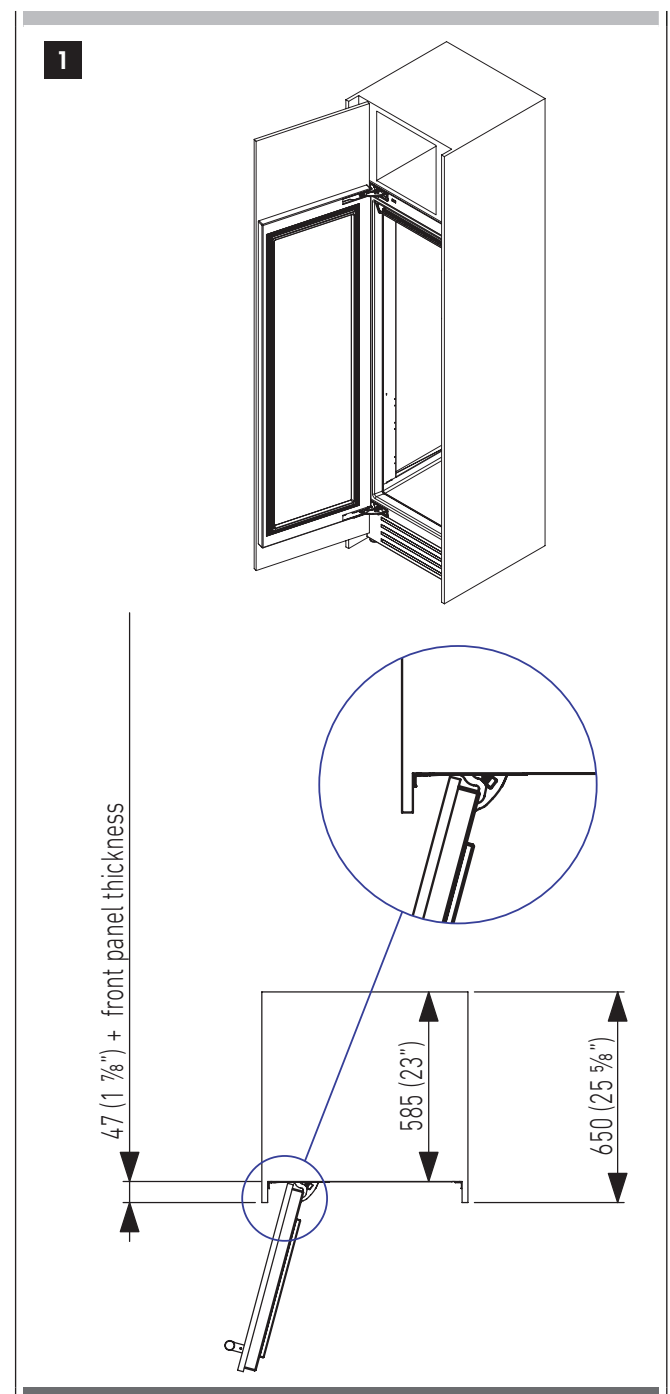
In all cases, if installing into an opening that is wider than the width specified in this manual, the side profile trims / frames can be removed, shimmed and reattached to effectively widen the appliance to match the width of the opening allowing for a perfect looking installation without gaps. Take this into account when making integrated panels for a wider opening to ensure your desired gap / reveal around the panels.

### 6.3 Maximum cabinet depth over "Integrated" refrigerator with single door panel

It is possible that the design of the kitchen and, in particular, of the niche where the "Integrated" refrigerator is going to be fitted includes a cabinet right above the refrigerator itself that must be closed with the same panel mounted on the Integrated refrigerator door."

In this case, **the total depth of the cabinet without the door (above the refrigerator) must not exceed the total depth of the refrigerator itself [ 1 ].**

This will allow the panel attached to the refrigerator door to open correctly without interference during its rotation up to 105°.



## 7.1 Anti-tipping safety assembly

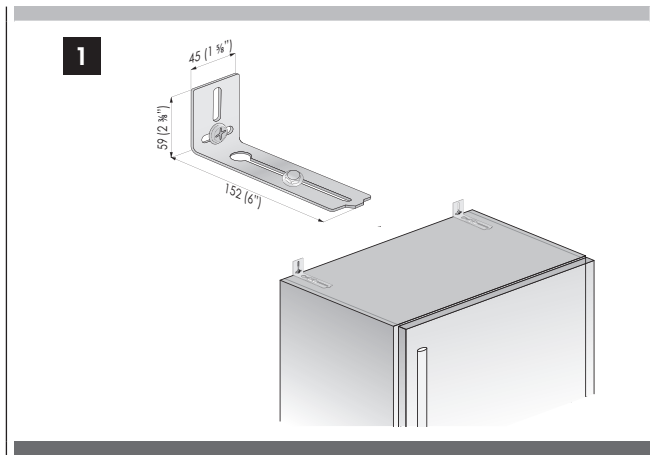
**NOTE**

If the appliance(s) is not connected through the side profile trims to secured cabinetry you must install the anti-tip brackets to ensure the product does not fall forward during use and cause damage or injury. Failing to secure the appliance(s) securely will void any warranty claim attributable to a tipping situation.

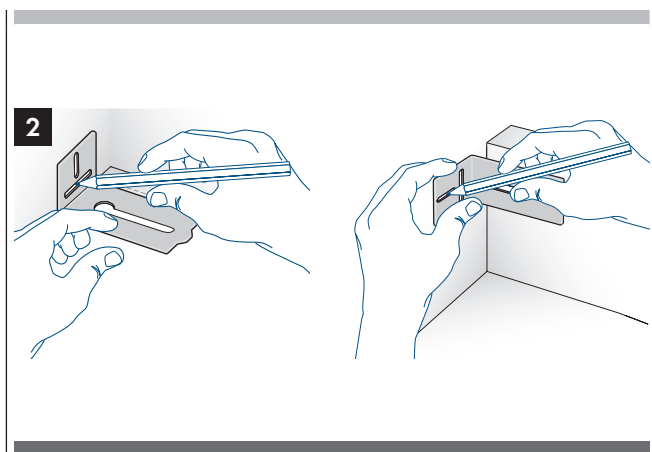
**Operate as follows:**

The brackets should be applied as illustrated using the provided screws. If using the anti-tip brackets, lag into wood framing or concrete - drywall will not hold the weight of appliance.

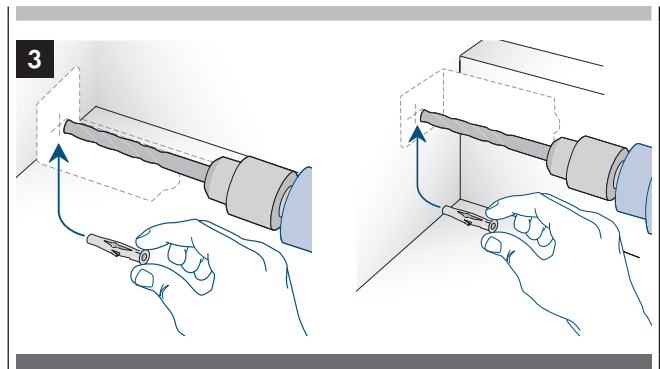
Place a bracket on the top of the appliance in correspondence to the fixing holes and against the wall [ 1 ].



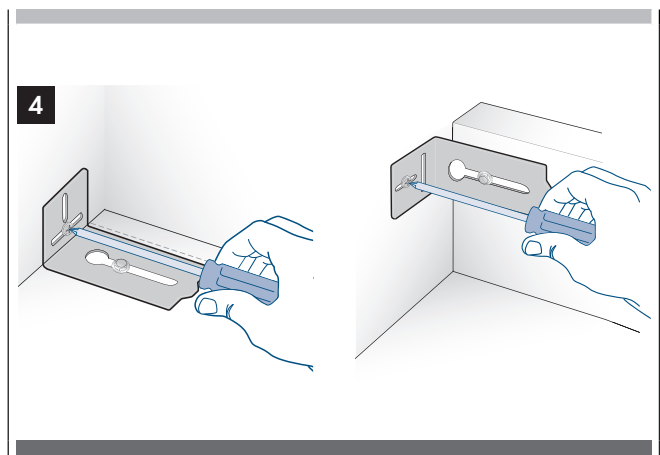
- Mark up the holes position on the wall [ 2 ].



- Drill the wall with an 8 mm (3/8") bit and insert the expansion plug [ 3 ].



- Reposition the bracket and fix it first to the cabinet and then to the wall [ 4 ].



**NOTE**

In order to use the anti-tip brackets on the top compressor models, it will be necessary to temporarily remove the top, metal ceiling / shield to access the bolting points for the brackets.

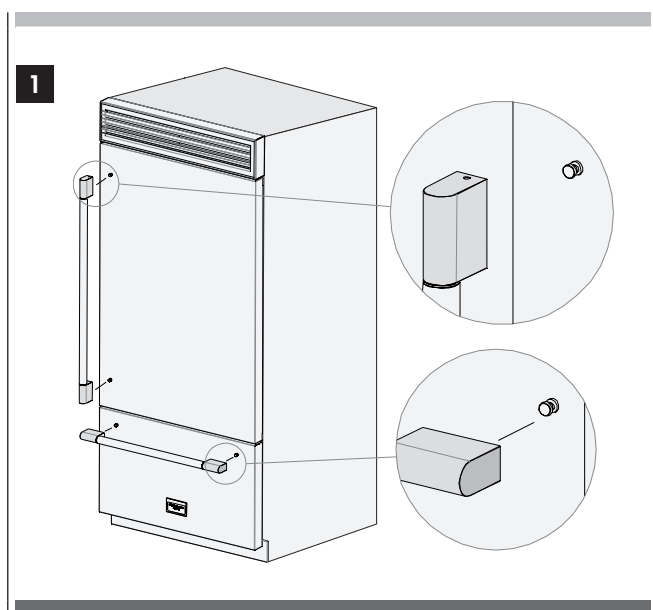
## 7.2 Mounting the handles on stainless front

### NOTE

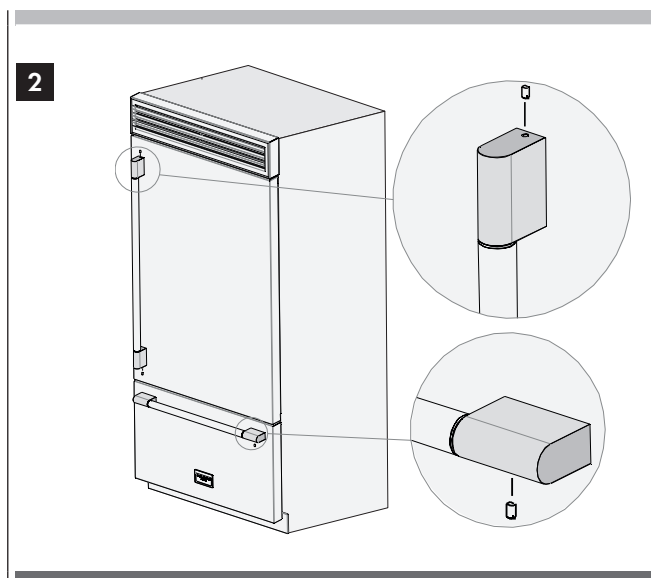
To mount the handles onto the door and the drawer operate as follows:

#### Operate as follows:

- Insert the handle ends onto the supports already installed on the door and the drawer [ 1 ].



- Screw in the Allen screws available on the handle [ 2 ].

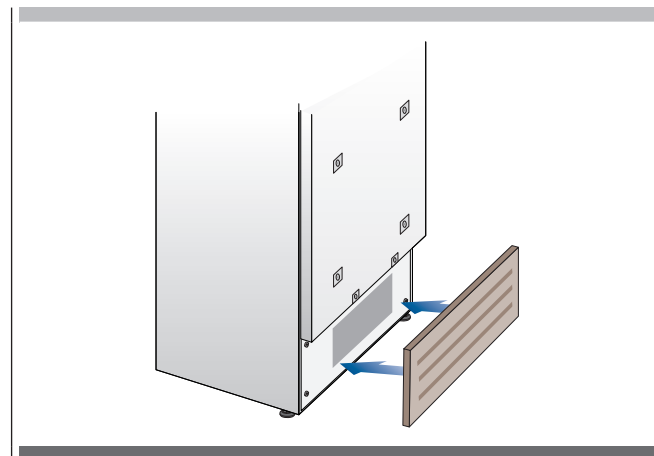


The screws must be tightened in by means of a 2.5 mm (1/8") hex wrench.

## 7.3 Ventilation

### Professional Built-In Series

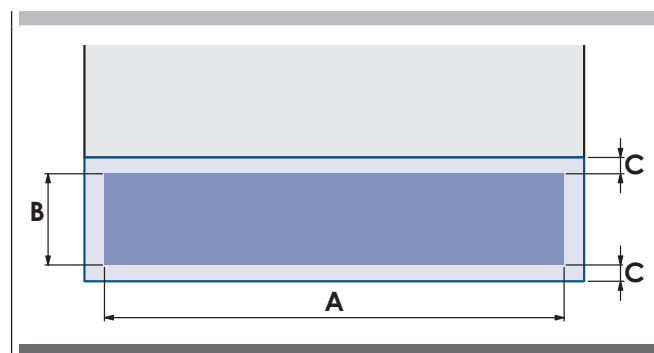
A forced air system assures ventilation through a grille positioned in the lower front part of the unit. If the kitchen design includes a kickplate, the latter has to be entirely in order to maintain a satisfactory air flow, as described in the drawing.



Holes can be in any shape and size, as long as the total area of the area equals 50% of the kickplate area.

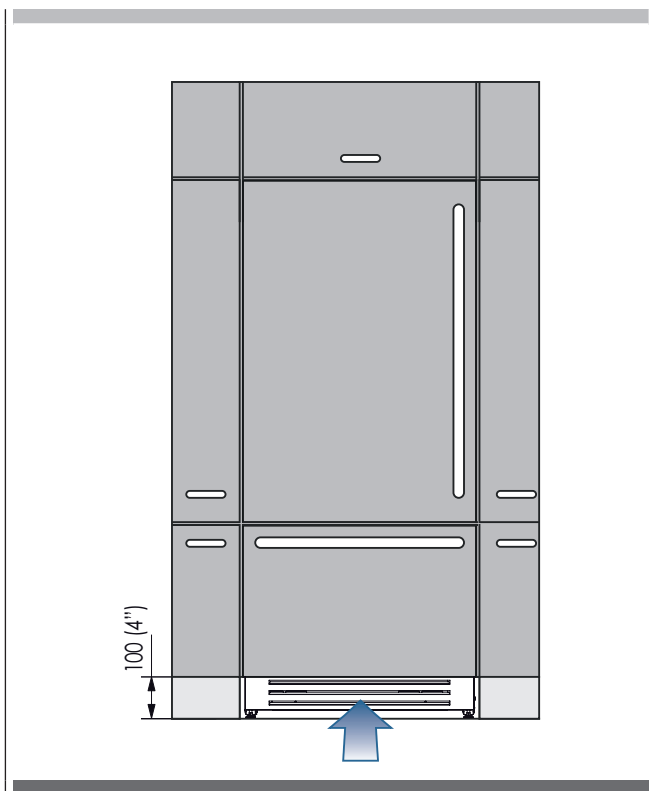
In this case, to guarantee a better air flow, it is advisable to remove the front grille included with the unit. The grille is secured to the unit with magnetic plates and can be easily removed even by the end user, to provide for regular cleaning procedures and dust removal.

If the grille is partially covered by the kitchen kickplate, it is advisable to remove the grille in order to provide for a better airflow.



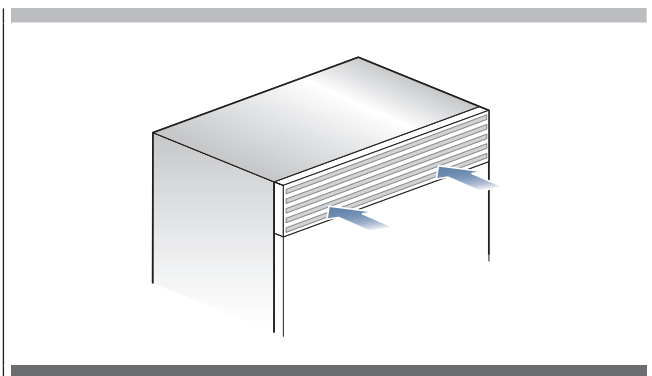
	SERIES 36"	SERIES 24"
A	860 (33 7/8")	560 (22")
B	> 100 (4")	
C	10 (3/8")	

The air intake and outlet must not be blocked or covered entirely. The condenser must to be dusted/cleaned on a regular basis.



#### Professional Series:

Ventilation is insured by a forced air system through a grille located in the upper part of the appliance. This grille should never be covered by panels or any other devices that could reduce its efficiency. Please refer to page 5-6 to ensure correct air circulation.




### 7.4 Post installation checklist

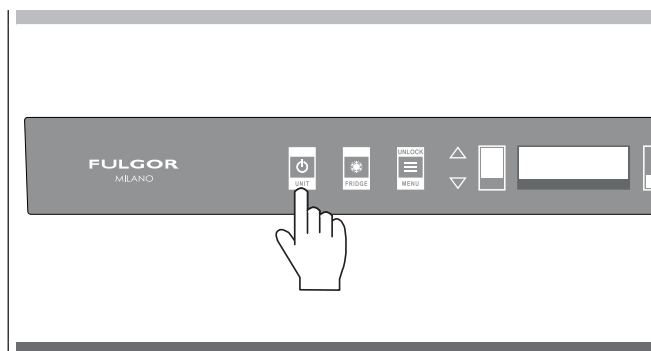
- ✓ Check that the front levelling feet have been properly installed.
- ✓ Check that the connection to the water system does not have any leaks and that the shut-off valve is easily accessible.
- ✓ Check that the electrical connection is correctly installed and that the socket and / or breaker are easily accessible.
- ✓ Check the perfect alignment of the appliance with adjacent structures.
- ✓ Check that all adhesive tape and external or internal temporary protective devices have been removed.
- ✓ Check the perfect closing of the doors and the smooth sliding of the drawers and shelves.


### 7.5 Start up

- To start the appliance, connect the plug to the electrical mains: at this point, when opening the door, the control panel will usually visualize the message "Stand by", and all the panel keys be off



- To turn on all the appliance compartments, press the Unit  button for three seconds. The display will show the message "Initial test" for approximately 2 minutes. After this phase the compressors will start up and remain on until the compartment set temperatures are achieved. Do bear in mind that this condition could last several hours during which time the display will continue to flash the 'Start Up Phase' message.
- If the appliance is provided with an Ice Maker, prior to switching it on make sure that the water filter cartridge is installed (unless water supply source is already filtered by other means such as reverse osmosis).



- Purge air from the water lines by running the 'Manual Clean' function from the Menu->Functions->Water Filter options. You may need to complete this sequence several times until you stop hearing air sputtering from the ice maker fill tube (Refer to your Use & Care Manual).
- Once you are satisfied that the system is purged of air switch the Ice Maker on by touching the  button which will illuminate.

**NOTE**

If the Fresh Zone drawer is configured as a Fridge or a Fresh compartment the ice maker will be disabled. Default mode for the Fresh Zone drawer is Freezer.

- For further information about the appliance operation, refer to the User Manual.

**NOTE**

If at the first start - up the message Stand by does not appear, but other messages appear, such as Fridge too warm, Freezer too warm, or sound signals are activated, it means that the appliance has already started the cooling process. If this is the case, deactivate any possible acoustic signals by pressing the Alarm button, close the door and wait until the set temperature is reached.

**IMPORTANT**

It is necessary to let the unit reach the correct temperature before foods are stored inside.





TABLES DES MATIERES	PAGE
<b>1. Indications Importantes</b>	<b>2</b>
1.1 Indications importantes concernant la sécurité	2
1.2 Pour la sécurité des enfants	2
<b>2. Caractéristiques Techniques</b>	<b>3</b>
2.1 Caractéristiques de l'appareil et conditions requises pour l'installation	3
2.2 Caractéristiques de la niche d'installation: Série Professional Built-In	4
2.3 Caractéristiques de la niche d'installation: Série Professional Series	5
<b>3. Préparation à L'installation</b>	<b>6</b>
3.1 Transport sur le lieu d'installation et déballage	6
3.2 Raccordements électrique et hydraulique	6
3.3 Énergies renouvelables et systèmes domotique	7
3.4 Mise à niveau	8
<b>4. Encastrement</b>	<b>9</b>
4.1 Dimensions de l'encastrement et Styles d'installation: Série Professional Built-In	9
4.2 Montage à fleur avec des garnitures en aluminium standards	9
4.3 L'installation Prominent avec des garnitures en aluminium standards	9

TABLES DES MATIERES	PAGE
<b>5. Montage Des Panneaux</b>	<b>10</b>
5.1 Préparation des panneaux décoratifs pour la porte et Grands bacs	10
5.2 Préparation des panneaux décoratifs pour Réfrigérateur avec un grand bac	12
5.3 Préparation des panneaux décoratifs pour Réfrigérateur avec porte vitrée et un grand bac	13
5.4 Dimensions des panneaux - Modèles avec un Grand Bac	14
5.5 Montage des poignées	15
5.6 Fixation des panneaux à la porte et au Grand bac	16
<b>6. Installation</b>	<b>18</b>
6.1 Encastrement appareil unique	18
6.2 Encastrement combinaison	19
6.3 Profondeur maximale structure au-dessus du réfrigérateur « Intégré » à « porte unique »	21
<b>7. Achèvement De L'installation</b>	<b>22</b>
7.1 Montage de la sécurité anti-renversement	22
7.2 Montage des poignées sur le devant inoxydable	23
7.3 Circulation de l'air	23
7.4 Contrôle de fin d'installation mise en marche	24
7.5 Mise en marche	24

### 1.1 Indications importantes concernant la sécurité

Symboles utilisés dans le manuel:

 **NOTE**

Conseils pour une correcte utilisation de l'appareil

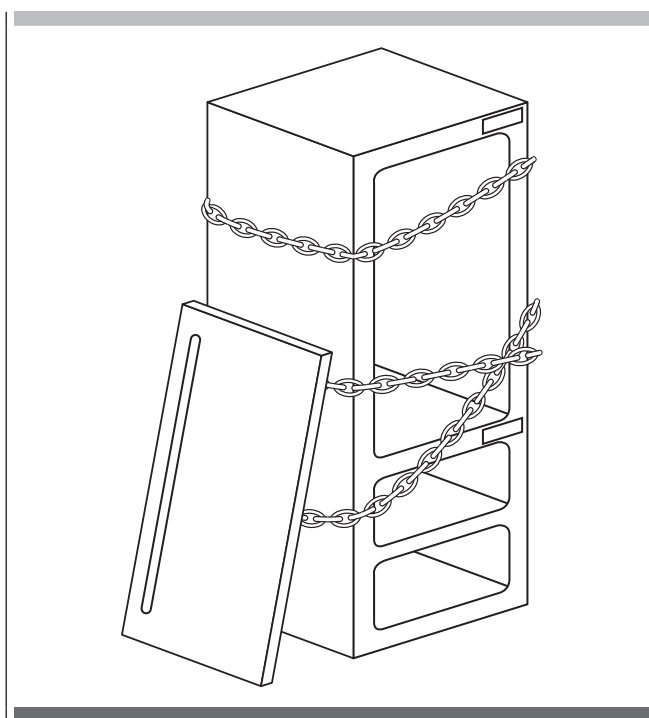
 **IMPORTANT**

Indications afin d'éviter tout endommagement de l'appareil

 **ATTENTION**

Indications afin d'éviter toute lésion aux personnes

### 1.2 Pour la sécurité des enfants



**DANGER** : Risque d'enfermement pour les enfants. Avant de jeter un vieux réfrigérateur ou congélateur :

- Retirer les portes
- Laisser les étagères en place afin d'empêcher que des enfants grimpent dedans.

 **IMPORTANT**

Les dimensions entre parenthèses sont en pouces.

Les poids entre parenthèses sont en livres: kg(lb).

Les températures entre parenthèses sont en °F: °C (°F).

### 2.1 Caractéristiques de l'appareil et conditions requises pour l'installation

Dimensions de l'appareil Professional Built-In Series	
<b>Série 24"</b>	w: 599 mm (23 5/8") h: 2120 mm (83 1/2") d: 610 mm ( 24")
<b>Série 36"</b>	w: 899 mm (35 3/8") h: 2120 mm (83 1/2") d: 610 mm ( 24")

Dimensions de l'appareil Professional Series	
<b>Série 24"</b>	w: 599 mm (23 5/8") h: 2120 mm (83 1/2") d: 635 mm ( 25")
<b>Série 36"</b>	w: 899 mm (35 3/8") h: 2120 mm (83 1/2") d: 635 mm ( 25")

Dimension de emballé	
<b>Série 24"</b>	w: 650 mm (25 5/8") h: 2260 mm ( 89") d: 800 mm (31 1/2")
<b>Série 36"</b>	w: 950 mm (37 3/8") h: 2260 mm ( 89") d: 800 mm (31 1/2")

Poids avec emballage	
<b>Série 24"</b>	max 230 kg (507 lb)
<b>Série 36"</b>	max 295 kg (650 lb)

<b>Tension d'alimentation</b>	AC 110 - 120V 60Hz
<b>Câble d'alimentation</b>	90° Nema 5-15P
<b>Pression d'alimentation de l'eau potable</b>	de 0.05 MPa à 0.5 MPa (0.5 Bar - 5 Bar)
<b>Tuyau d'alimentation de l'eau</b>	NPT 3/4" (adaptateur coudé de 1/4" inclus)
<b>Équipement nécessaire</b>	<ul style="list-style-type: none"> <li>- kit fixation des panneaux sur demande (si applicable)</li> <li>- Kit Anti-renversement - kit de raccordement latérale - clé à six pans de 4 mm (1/8")</li> </ul>
<b>Réglage de la hauteur des rouleaux arrière</b>	<ul style="list-style-type: none"> <li>- tournevis cruciforme</li> <li>- perceuse à bois</li> <li>- pointe pour bois de 2.5 mm (1/8")</li> <li>- clé ouverte de 17 mm (11/16")</li> <li>- clé ouverte de 19 mm (3/4")</li> </ul>

## 2.2 Caractéristiques de la niche d'installation: Série Professional Built-In

A - espace à réserver aux équerres anti-renversement

**Hauteur de l'encastrement**  
2134 mm (84")

**Largeur de l'encastrement**  
36": 902 mm (35 1/2")  
24": 602 mm (23 3/4")

**Profondeur minimale de l'encastrement**  
610 mm (24") + Épaisseur du panneau pour une installation affleurante

**Encombrement avec porte ouverte**  
36": 1470 mm (57 7/8")  
24": 1170 mm (46")

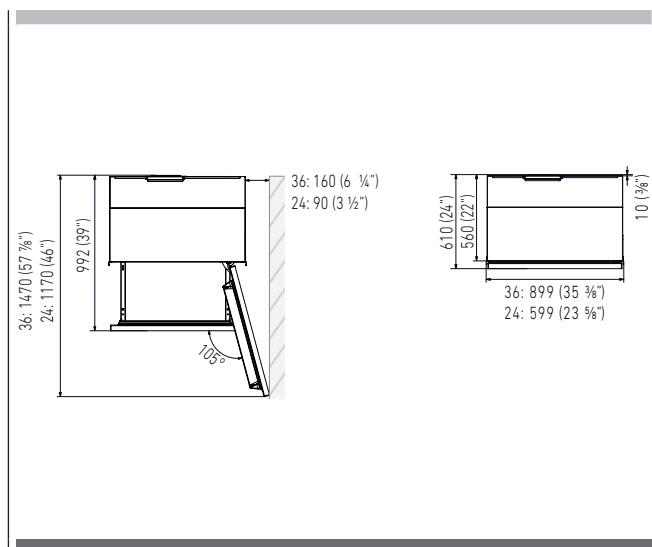
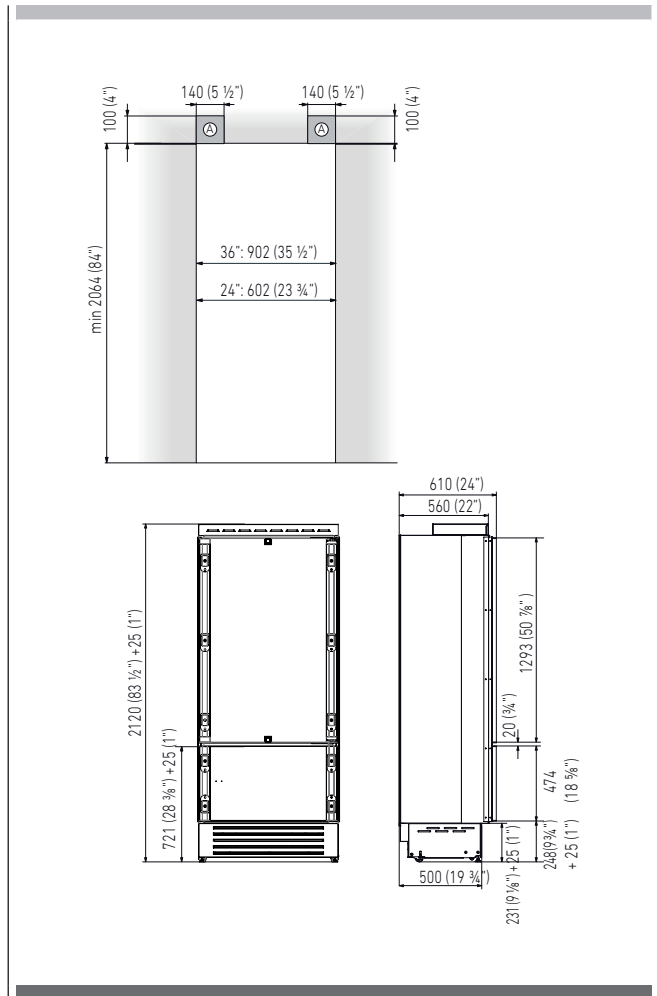
**Angle d'ouverture de la porte**  
105°

**Largeur**  
36": 899 mm (35 3/8")  
24": 599 mm (23 5/8")

**Hauteur**  
2120 mm (83 1/2") + 25 mm (1")

**Profondeur avec la porte (sans panneau)**  
610 mm (24")

**Distance minimale du mur (côté de la charnière)**  
36": 160 mm (6 1/4")  
24": 90 mm (3 1/2")



## 2.3 Caractéristiques de la niche d'installation: Série Professional Series

A - espace à réserver aux équerres anti-renversement

**Hauteur de l'encastrement**  
2134 mm (84")

**Largeur de l'encastrement**  
36": 902 mm (35 1/2")  
24": 602 mm (23 3/4")

**Encombrement avec porte ouverte**  
36": 1470 mm (57 7/8")  
24": 1170 mm (46")

**Angle d'ouverture de la porte**  
105°

**Largeur**  
36": 899 mm (35 3/8")  
24": 599 mm (23 5/8")

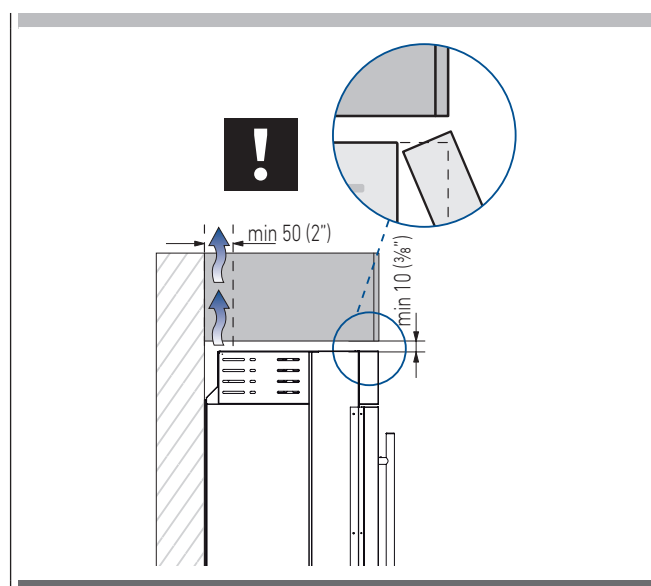
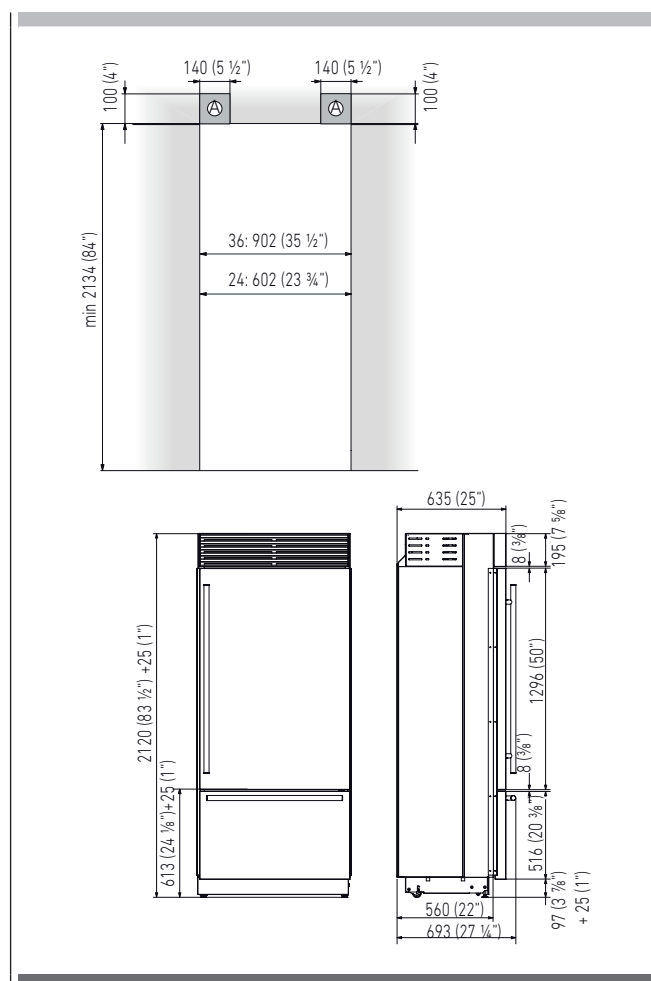
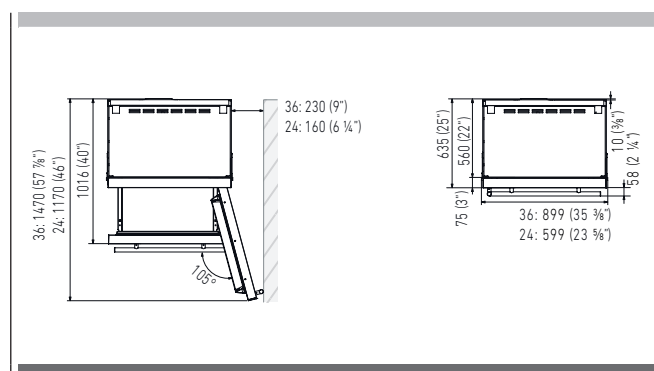
**Hauteur**  
2120 mm (83 1/2") + 25 mm (1")

**Profondeur avec la porte**  
635 mm (25")

**Distance minimale du mur (côté de la charnière)**  
36": 230 mm (9")  
24": 160 mm (6 1/4")

### ! IMPORTANT

Si l'appareil doit être installé dans une niche ou à l'intérieur d'une structure fermée, il sera nécessaire de prévoir une cheminée de ventilation à l'arrière de la niche pour garantir une ventilation adéquate. La section de la cheminée de ventilation de la zone doit être égale à 200 cm<sup>2</sup> (31 in<sup>2</sup>).



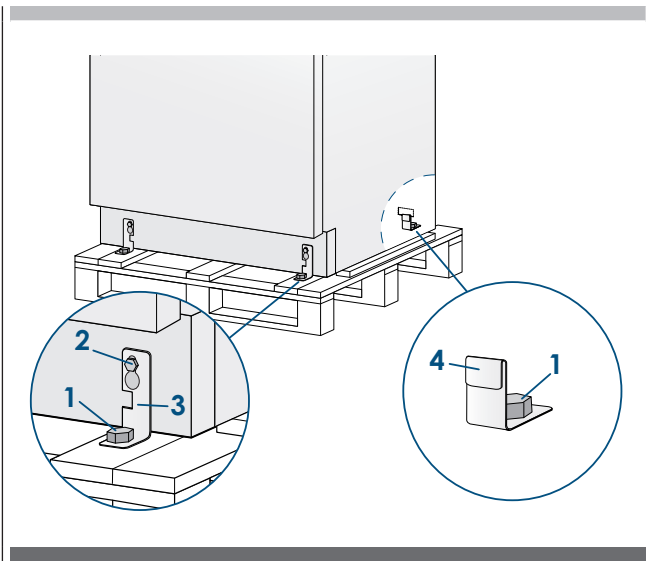
## 3.1 Transport sur le lieu d'installation et déballage

**!!! ATTENTION**

L'appareil est très lourd et peut avoir le barycentre dans la partie supérieure. Faire très attention durant la manipulation afin d'éviter tout risque de blessures.

**! IMPORTANT**

Transporter l'appareil en position verticale. Éviter de manière absolue le transport sur la partie frontale.



S'agissant d'un appareil lourd et de grandes dimensions, avant de transporter l'appareil, s'informer sur les modalités d'accès au lieu où il sera installé (dimensions des portes, espaces de mouvement dans les escaliers, etc.).

L'appareil est fixé à la base de l'emballage (palette) moyennant quatre boulons amovibles avec une clé de 19 mm (3/4").

Il est conseillé d'utiliser un transporteur manuel pour manutentionner l'appareil jusqu'à la zone où celui-ci sera installé et seulement alors retirer la base de l'emballage.

L'appareil devrait toujours être transporté en position verticale. Si cela n'est pas possible, transporter l'appareil couché sur le dos. Une fois que l'on a atteint la zone prévue pour l'installation, enlever les emballages, faire descendre l'appareil de la palette emballages et faire descendre l'appareil de la palette.

**Intervenir de la manière suivante:**

- Enlever les quatre boulons [ 1 ] qui fixent l'appareil à la palette en utilisant une clé ouverte de 19 mm (3/4").
- Retirer les crochets de fixation [ 3 ] et [ 4 ] .
- Pour libérer le support de fixation avant [ 3 ], desserrer le boulon de réglage [ 2 ] des roues arrière au moyen d'une clé ou douille de 13 mm (1/2"). Éviter de forcer ce boulon dans son point de butée dans un sens ou dans l'autre afin d'éviter d'endommager le système de nivelage arrière.

S'assurer que les pieds de nivellement avant sont rentrés afin que les 4 roues soient en contact avec le sol, pour faciliter toute manœuvre.

- De l'arrière de l'unité et au moyen d'un chariot diable de caractéristiques appropriées, retirer l'appareil et le poser sur le sol. Faire très attention afin d'éviter tout dommage au sol. Les sols particulièrement délicats

## 3.2 Raccordements électrique et hydraulique


**NOTE**

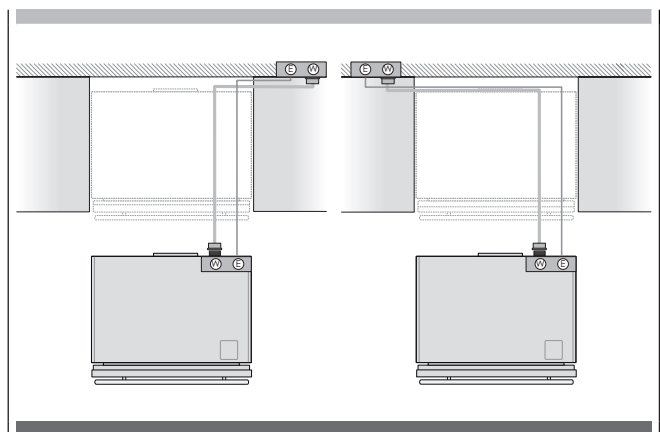
Le filtre Fhiaba ne peut pas rendre potable de l'eau qui n'est pas destinée à la consommation alimentaire.

**!!! ATTENTION**

Ne pas utiliser de réductions ou de rallonges.

**! IMPORTANT**

Ne pas utiliser de rallonges électriques ou des adaptateurs. Une fois l'appareil complètement installé, raccordé au réseau de l'eau (le cas échéant) et opérationnel, en cas de nécessité de couper l'alimentation d'eau, appuyer sur le bouton  sur le panneau de contrôle pour désactiver la fabrique à glaçons avant de fermer la conduite principale, afin d'éviter que se déclenche l'état d'alarme « NO WATER IN » (Absence d'eau) sur l'appareil.



Les appareils sont livrés de l'usine pour une tension de secteur de 110V-120V AC - 60 Hz (États-Unis et Canada). Ils sont fournis avec un câble d'alimentation approprié et une fiche pour être connectés à une prise de 15 A assurant une mise à la terre efficace.

Il est recommandé d'installer un disjoncteur dédié de 15 A, facilement accessible, afin qu'il puisse être désactivé sans problèmes en cas d'opérations d'installation ou d'entretien. Pour le raccordement au réseau de l'eau (en cas d'appareils équipés de fabrique à glaçons) une ligne d'eau de 1/4" avec une soupape de fermeture accessible doit être fournie.

L'appareil est livré avec un adaptateur coudé pour l'alimentation en eau, adapté à la pression recommandée de l'eau et conforme aux réglementations applicables en matière d'aliments et d'eau.

La cartouche filtrante de l'eau, fournie avec l'appareil, doit être installée suivant les instructions qui l'accompagnent. Le raccordement solénoïde à l'appareil a un diamètre de 3/4", mais avec filetage métrique (NPT). Le connecteur fileté d'un tuyau d'arrosage standard ainsi qu'un tuyau en acier inox tressé pouvant être acheté dans une normale quincaillerie peuvent éliminer ou endommager les filetages magnétiques. Il est recommandé d'utiliser uniquement l'adaptateur coudé rapide de 1/4" pour le raccordement d'une ligne d'alimentation d'eau à l'appareil de 1/4" en cuivre ou en polyéthylène.

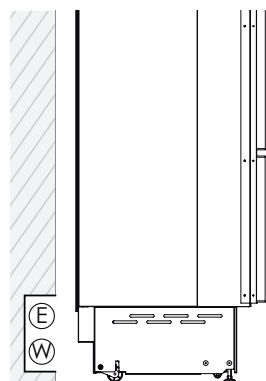


### IMPORTANT

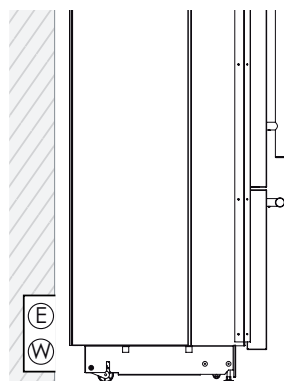
N'utiliser ni rallonges ni adaptateurs multiples pour le branchement.

#### RACCORDEMENTS ÉLECTRIQUE ET HYDRAULIQUE DERRIÈRE L'UNITÉ

##### SÉRIE Professional Built-In



##### SÉRIE Professional

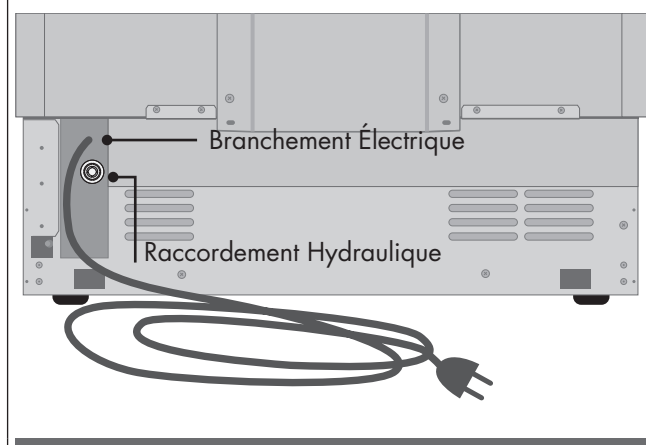


### 3.3 Énergies renouvelables et systèmes domotique

Si l'alimentation est fournie par une source d'énergie alternative (solaire, géothermique, etc.) ou en cas d'installation de systèmes domotiques avec des signaux porteurs dans les lignes électriques, il peut être nécessaire d'installer un transformateur d'isolement (non fourni) afin de prévenir toute interférence avec le circuit électronique de l'appareil.

#### SÉRIE Professional Built-In:

FIG.1 - ARRIÈRE DE L'APPAREIL



#### Intervenir de la manière suivante:


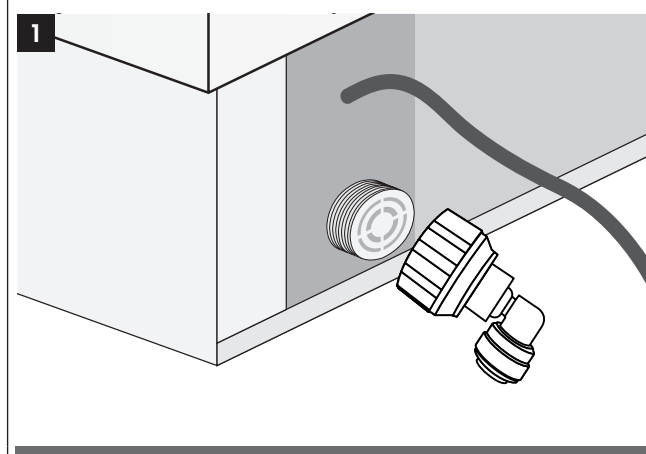
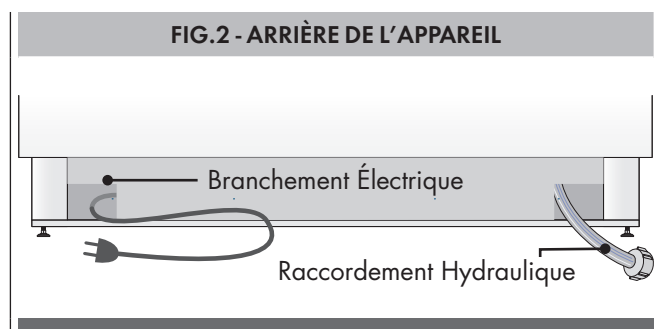
- Dérouler le câble électrique et le brancher directement à la prise murale.
- Contrôler que l'appareil soit en stand-by et que les voyants soient éteints; dans le cas contraire, appuyer sur la touche Unit  pour éteindre l'appareil. [ 1 ] .


FIG.1

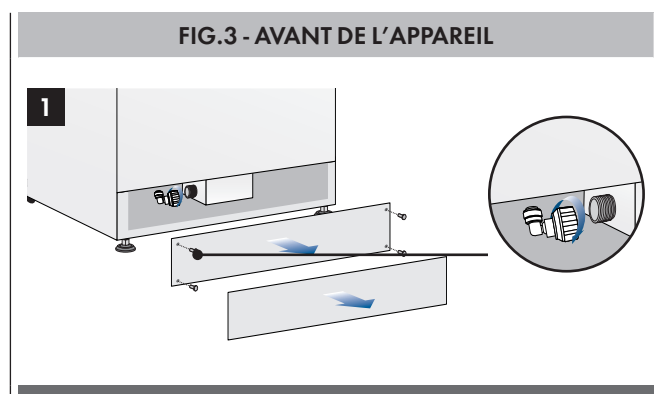


## SÉRIE Professional Series:



## Intervenir de la manière suivante:

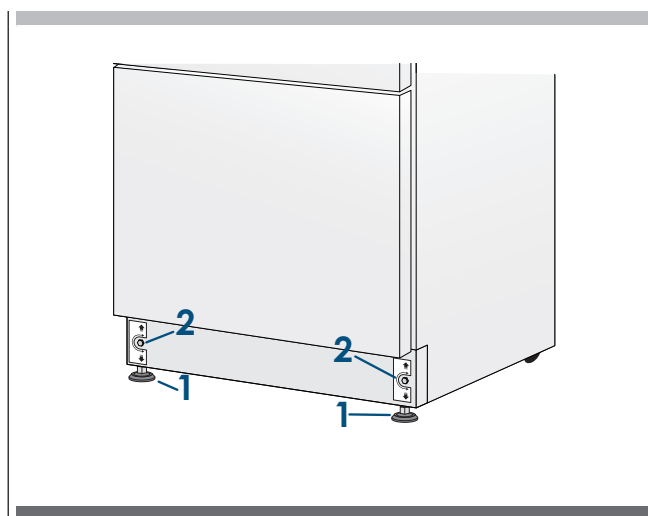
- Dérouler le câble électrique et le brancher directement à la prise murale.
- Contrôler que l'appareil soit en stand-by et que les voyants soient éteints; dans le cas contraire, appuyer sur la touche Unit  pour éteindre l'appareil [ 1 ].



- Raccorder le tuyau au robinet en utilisant les garnitures comprises à l'intérieur du Kit Utilisateur. Serrer fermement avec les doigts - aucun outil/clé ne devrait être nécessaire pour assurer une étanchéité correcte. Ouvrir l'alimentation en eau et vérifier l'absence de toute fuite sur tous les raccords avant de faire glisser l'appareil dans sa niche.

## 3.4 Mise à niveau

Mettre à niveau l'appareil en réglant les pieds et les roues arrière à la base de l'appareil.

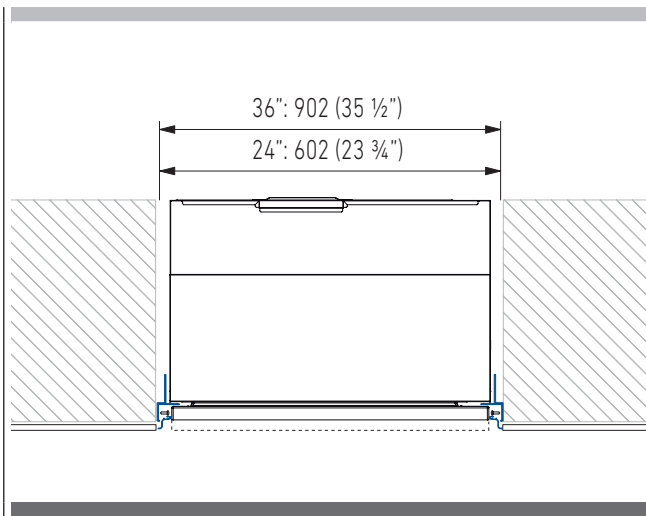


## Intervenir de la manière suivante:

- Si nécessaire, déposer le socle ou la grille inférieure (il est fixé par des aimants), ajuster la hauteur des pieds de nivellement [ 1 ] au moyen d'une clé de 17 mm (11/16").
- Ajuster ensuite la hauteur des roues arrière en tournant les boulons de réglage avant [ 2 ] en sens horaire (pour soulever) ou anti-horaire, selon le besoin. Faire attention en cas d'utilisation d'une visseuse électrique et réduire la puissance afin d'éviter d'endommager le système de nivellement.
- Reposer le socle ou la grille inférieure.

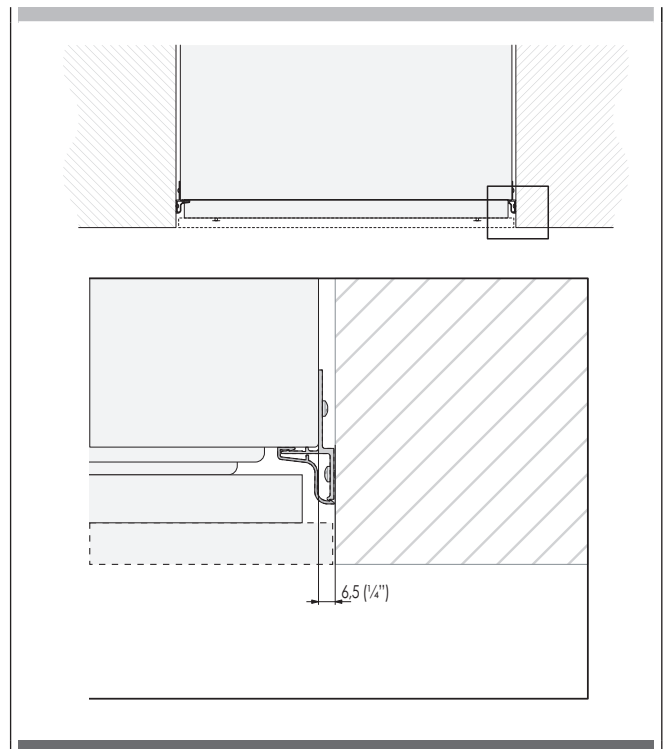


4.1 Dimensions de l'encastrement et Styles d'installation: Série Professional Built-In



Série	Encastrement	Largeur de panneaux
36"	902 (35 1/2")	897 (35 1/4")
24"	602 (23 3/4")	597 (23 1/2")

4.2 Montage à fleur avec des garnitures en aluminium standards

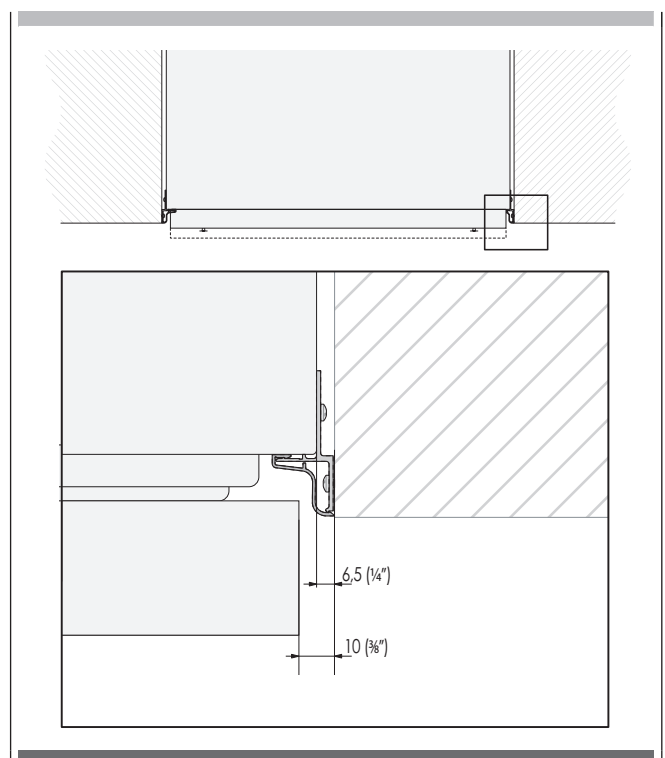


B - KCCITU: Kit raccordement central

REFSBSPRO60	600/SOFIA	KIT D'ASSEMBLAGE SOFIA 1 PIÈCE (comprend bande de jonction, grille supérieure d'une seule pièce de 60" & coup-de-pied et couverture isolante)
REFSBSINT60	600/SOFIA	KIT D'ASSEMBLAGE Destinto 1 PIÈCE (comprend uniquement bande d'assemblage)
REFSBSPRO72	600/SOFIA	KIT D'ASSEMBLAGE SOFIA 1 PIÈCE (comprend bande de jonction, grille supérieure en une pièce de 72", coup-de-pied et couverture isolante)

(non compris - doit être commandé comme accessoire séparé)

4.3 L'installation Prominent avec des garnitures en aluminium standards



## SÉRIE Professional Built-In

## 5.1 Préparation des panneaux décoratifs pour la porte et Grands bacs

Les dimensions des panneaux sont indiquées dans le tableau et sur les dessins reportés ci-dessous.

Selon les exigences d'alignement avec d'autres meubles de la cuisine, le panneau de la porte du réfrigérateur peut être plus haut par rapport à la ligne supérieure de la porte et le panneau inférieur peut être plus bas par rapport à la ligne inférieure du grand bac.

Les panneaux sont montés moyennant des brides spéciales qui s'accrochent aux dispositifs de fixation réglables déjà prévus sur porte et grand bac et moyennant des équerres qui bloquent et règlent verticalement le panneau.

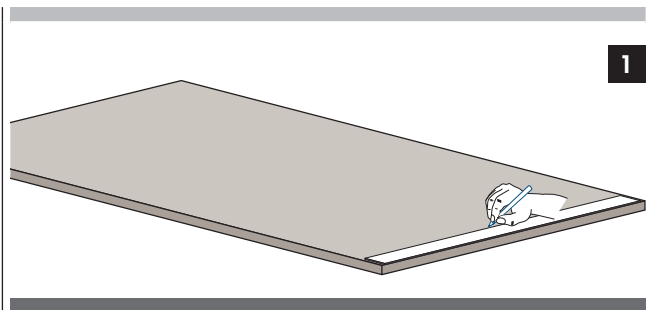
Brides, équerres et vis de fixation correspondantes sont fournies avec l'appareil et sont appliquées au panneau en suivant le schéma de perçage reporté ci-dessous ou en utilisant le gabarit de perçage prévu à cet effet et fourni.

## Intervenir de la manière suivante:

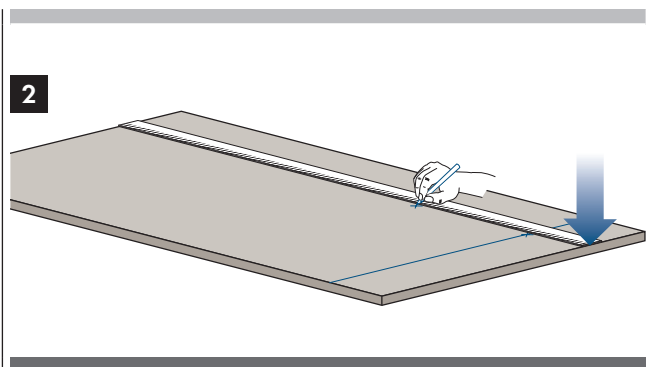
Pour appliquer les brides aux panneaux, procéder de la manière suivante. Il est recommandé de monter les équerres avant de monter la poignée.

## Panneau de la porte

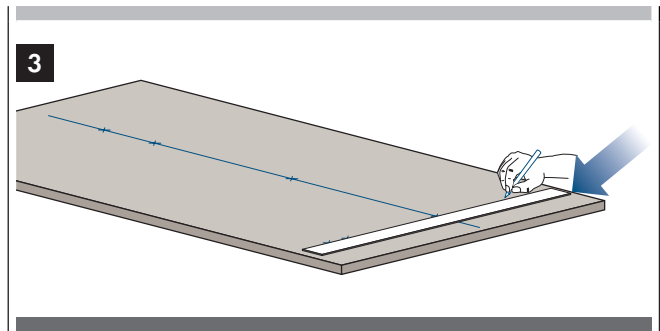
- Tracer une ligne qui divise verticalement le panneau en deux parties égales [ 1 ].



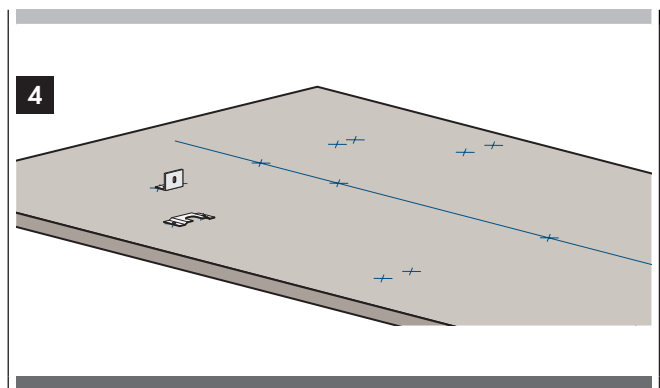
- Partant du bas du panneau, marquer la hauteur à laquelle pratiquer les trous (pour la distance des trous, [ 2 ].



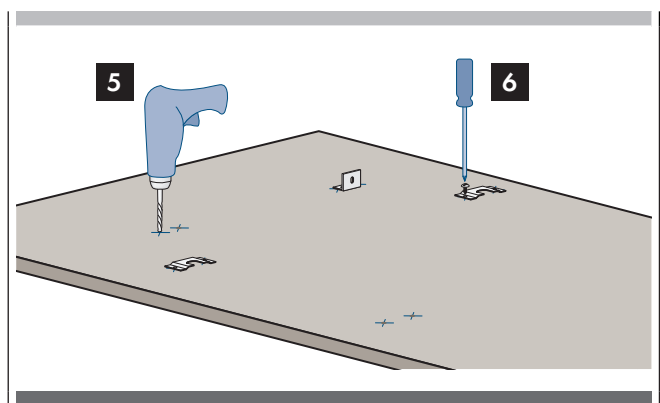
- Suivre les données du tableau correspondant au modèle choisi, marquer d'abord le trou le plus externe et puis le plus interne [ 3 ].



- Positionner les équerres sur chaque série de marques pour vérifier qu'elles sont alignées [ 4 ], si on choisi de percer des petits trous de guidage pour les vis, il est recommandé de prêter particulière attention à ne pas traverser complètement l'épaisseur du panneau [ 5 ].

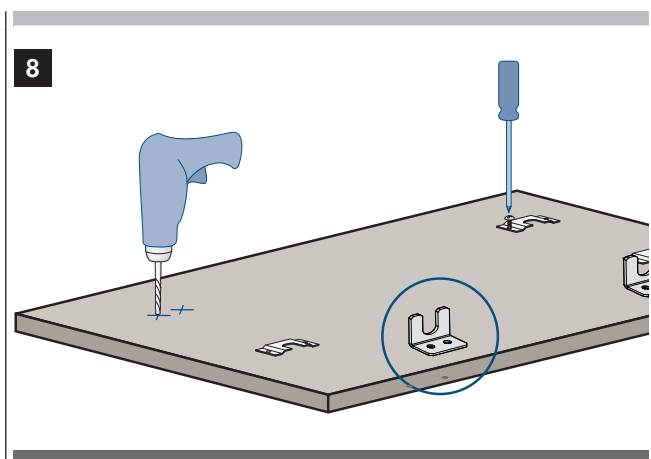
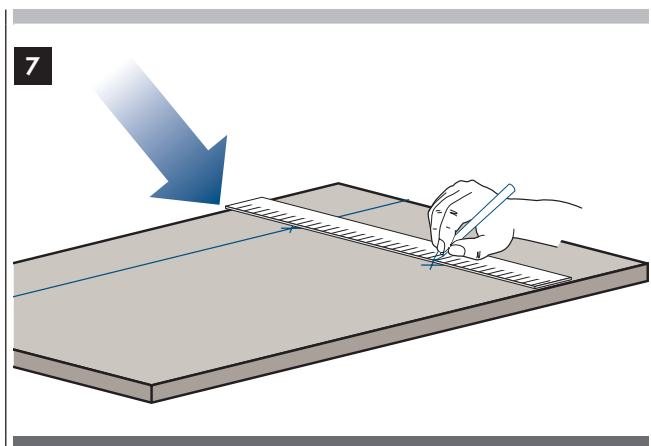


- Visser les équerres [ 6 ].

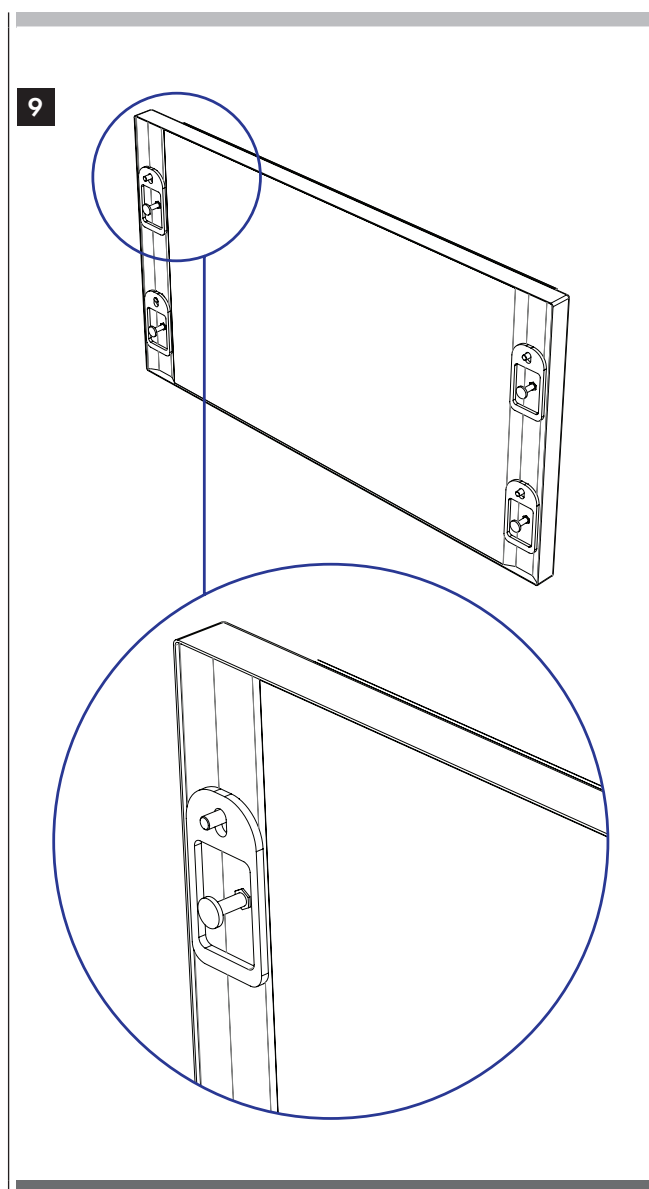


## Panneau du grand bac

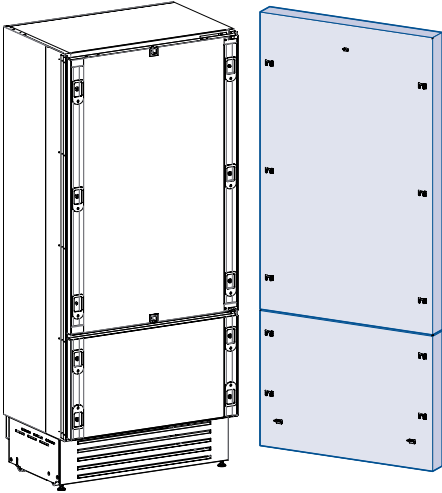
- Pour le montage du panneau du grand bac, faire référence au montage du panneau de la porte, avec la différence que les mesures doivent être prises en partant du côté supérieur du panneau et non pas du côté inférieur comme dans le cas de la porte [7] et la bride est tournée de manière spéculaire à celle de la porte [8]. Les supports pour le réglage en hauteur sont orientés dans la direction opposée [9] (voir images 4 et 8).



- Préparer la porte de l'appareil (et le(s) tiroir(s) le cas échéant) pour le montage des panneaux en enfilant les boulons à épaulement dans sections encastrées et les vis de pression dans l'autre trou [9]. Vérifier que l'extrémité avec la douille hexagonale est vissée dans la porte et pas dans la partie visible. Visser suffisamment jusqu'à les noyer dans la surface de la porte de l'appareil, afin d'éviter toute interférence avec l'accrochage du panneau. Il sera possible de les ajuster plus tard.

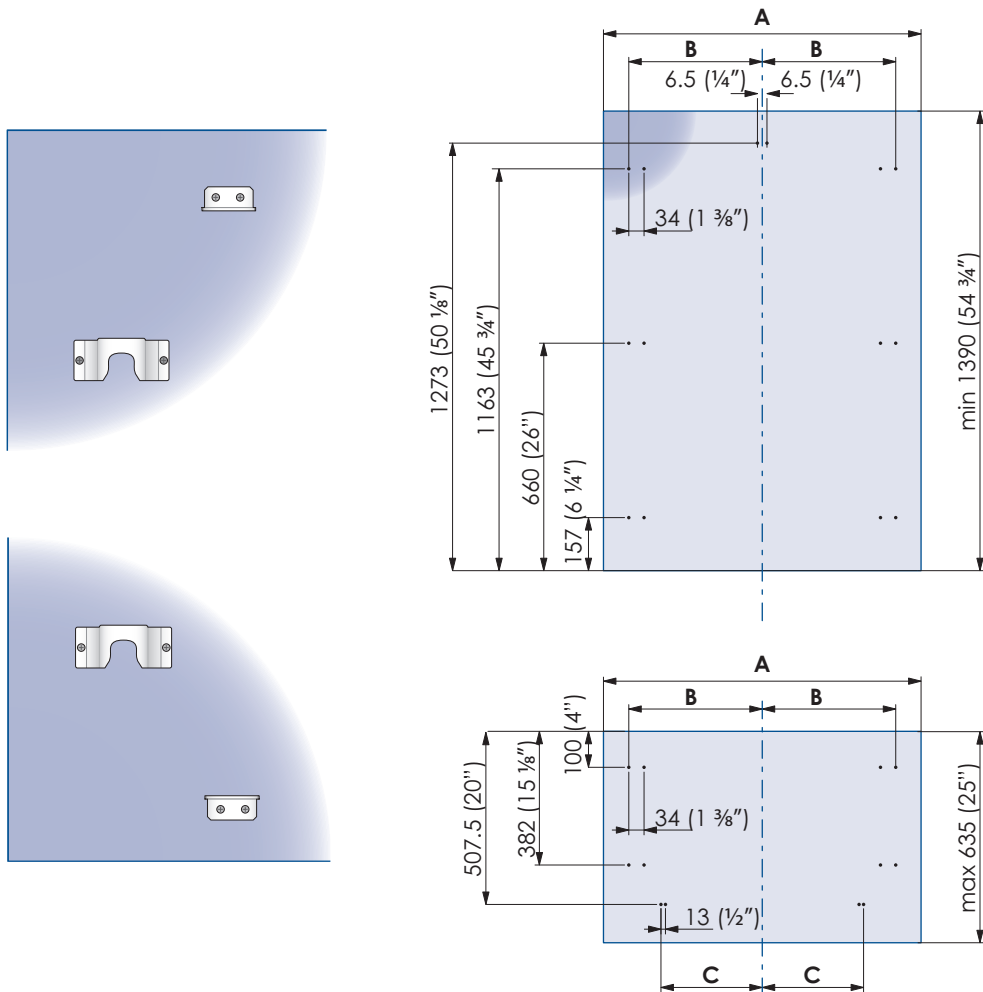


## 5.2 Préparation des panneaux décoratifs pour Réfrigérateur avec un grand bac

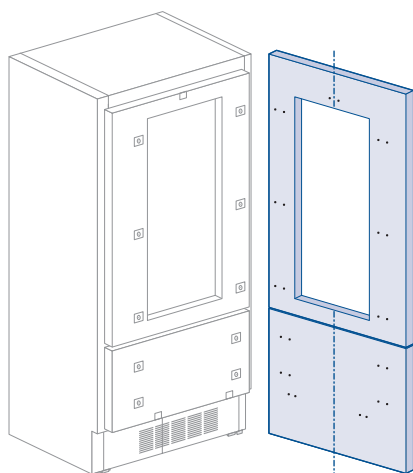


Série 36"	
A	897 (35 1/4")
B	417 (16 3/8")
C	354.5 ( 14")

### POSITIONNEMENT DES TROUS:

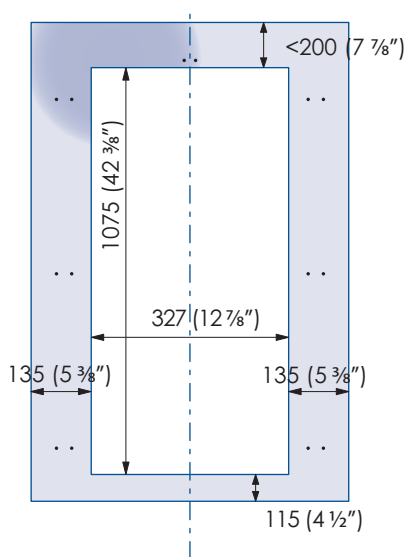


### 5.3 Préparation des panneaux décoratifs pour Réfrigérateur avec porte vitrée et un grand bac

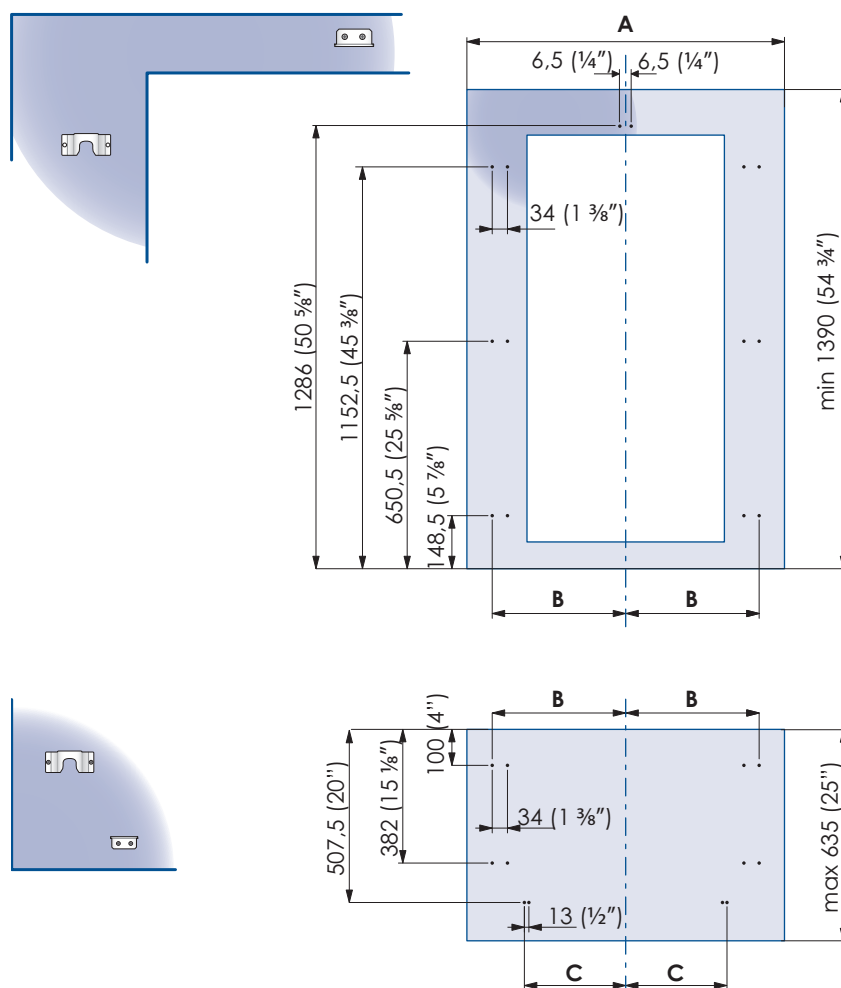


Série 24"	
A	597 (23 1/2")
B	276.5 (10 7/8")
C	203.5 ( 8")

#### DIMENSION TROU POUR PORTE:



#### POSITIONNEMENT DES TROUS:



## 5.4 Dimensions des panneaux - Modèles avec un Grand Bac

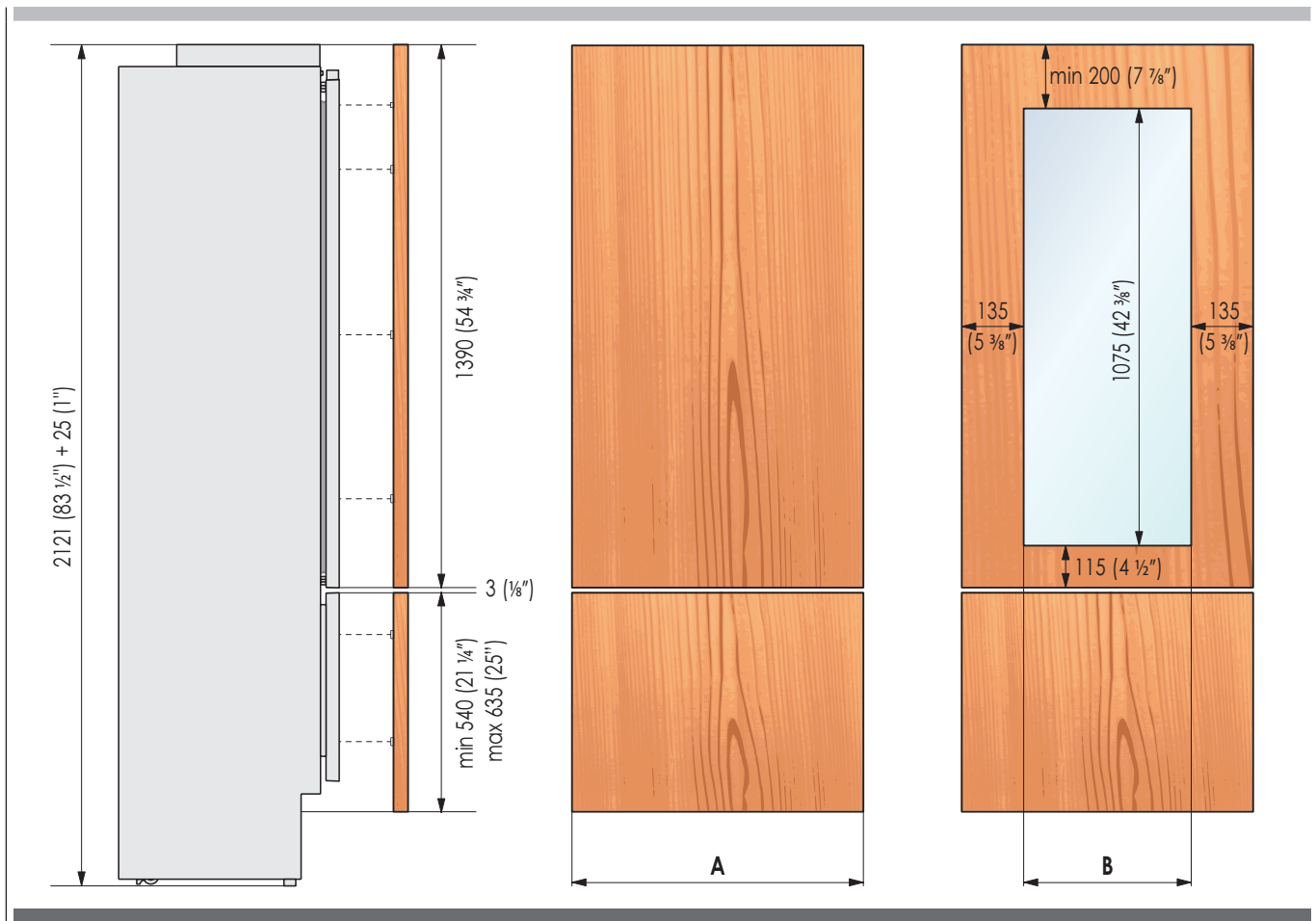
Il est possible d'utiliser des panneaux avec des épaisseurs allant entre 18 mm (3/4 in) et 28 mm (1 1/8 in).

Les panneaux de porte avec un poids max de 23 kg (51 lb) et panneaux de grand bac avec poids max de 11 kg (25 lb). Excéder ces poids pourrait annuler la garantie de tous les problèmes de services qui peuvent être attribués à des panneaux en surpoids.

Le mécanisme de charnière sur les appareils est considéré comme `zéro dégagement`. Les largeurs de portes et de tiroirs spécifiées ci-dessous supposent la largeur de niche

minimum est utilisé et une de 3,5 mm (1/8 ") révelent l'on souhaite autour des panneaux. Ajuster les dimensions de votre écran en fonction de vos propres critères de conception compte tenu de la largeur de votre créneau et votre révelent. Jeu minimum / écart ne doit pas être inférieure à 1,5 mm (1/16 ").

SÉRIE	LARGEUR DE LA PORTE ET DE TIROIR A	PORTE: LARGEUR DE LA COUPURE B
36"	897 (35 1/4")	
24"	597 (23 1/2")	327 (12 7/8")



### Exemples:

84" hauteur de l'encastrement  
36" largeur de l'encastrement  
4" hauteur de plinthe  
1/8" distance désirée autour

### Panneau de porte :

Largeur: 35-3/4"  
Hauteur: 54-3/4"

### Panneau de tiroir :

Largeur : 35-3/4"  
Hauteur : 84"-1/8"-54-3/4"-1/8"-4"=25"

Si vous voulez une hauteur de coup-de-pied de 6 ", la hauteur du panneau du tiroir inférieure sera de 23"

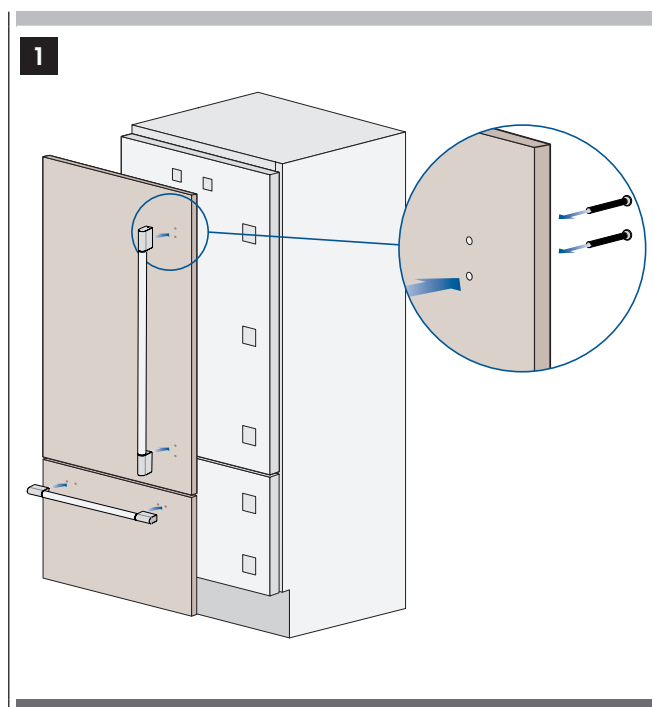
## 5.5 Montage des poignées

### NOTE

Les poignées doivent être montées sur le panneau décoratif de la porte et du grand bac avant que les panneaux ne soient fixés au réfrigérateur.

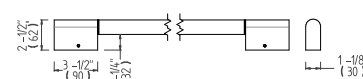
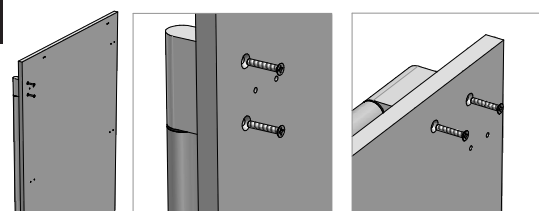
### Intervenir de la manière suivante:

- Après avoir pratiqué deux trous de 5 mm (1/4") sur le côté arrière des panneaux, insérer les vis fournies à la distance indiquée sur le tableau, reportée ci-dessous, [ 1 ].
- Suivant le type de panneau, il peut être nécessaire de prévoir des fraises coniques pour la tête des vis.

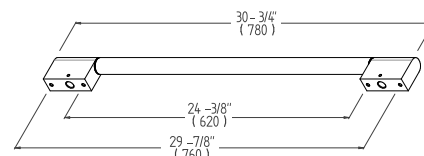


### Préparation des panneaux décoratifs pour Réfrigérateur avec un grand bac

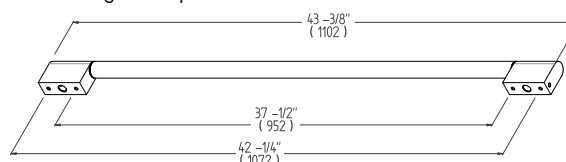
2



Poignée de tiroir horizontale

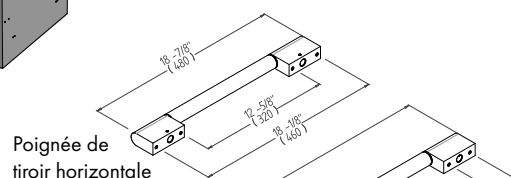
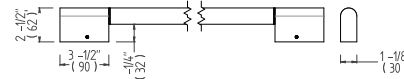
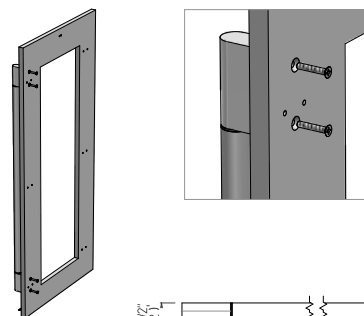


Poignée de porte verticale

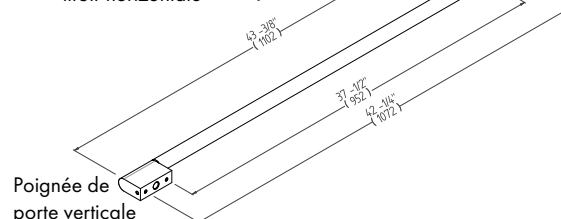


### Préparation des panneaux décoratifs pour Réfrigérateur avec porte vitrée et un grand bac

2



Poignée de tiroir horizontale



Poignée de porte verticale

- Placer la poignée en correspondance des trous et insérer les vis dans le panneau et à travers les sections filetées de la poignée [ 2 ].
- Visser à fond mais sans serrer trop fort afin d'éviter tout dommage à la poignée ou au panneau.

Utiliser la même procédure pour le montage des poignées horizontales sur les grands bacs. Pour la mesure de l'entraxe, faire référence au tableau joint.

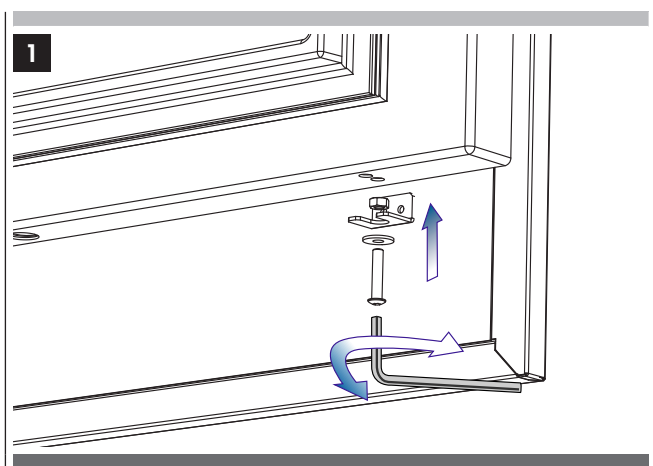
## 5.6 Fixation des panneaux à la porte et au Grand bac

### NOTE

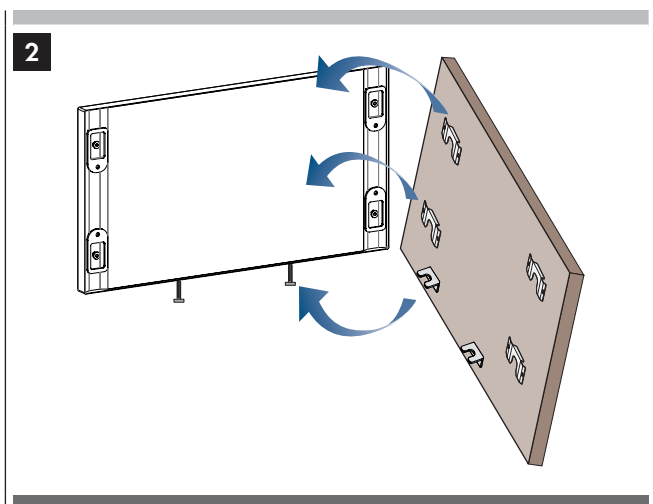
Après avoir appliqué les pattes de fixation et les équerres aux panneaux, commencer l'installation par le tiroir du bas.

### Intervenir de la manière suivante:

- Serrer les vis que partiellement aux fixations inférieures [ 1 ].

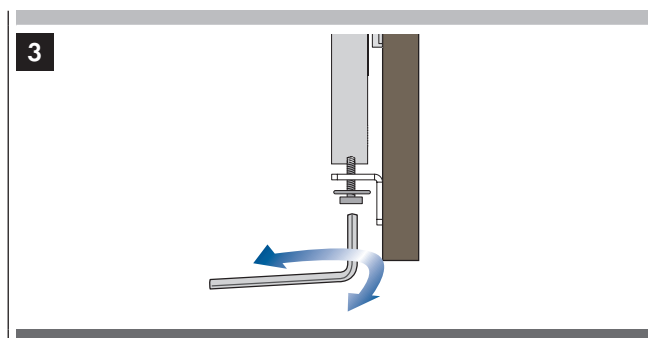


- Fixer le panneau aux support du tiroir à partir des crans de la partie inférieure de réglage [ 2 ].

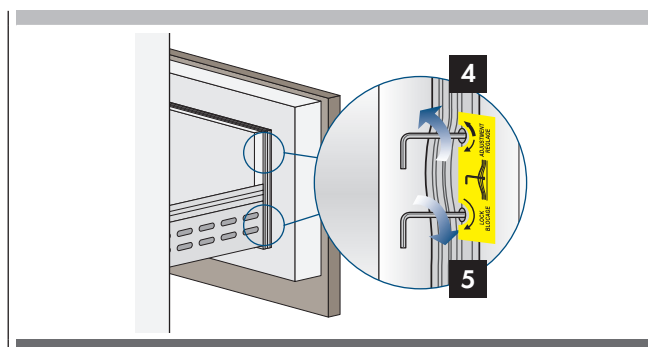


- À ce point il est possible de régler la hauteur du panneau avec les crans intérieurs pour s'aligner, [ 3 ] en serrant ou desserrant la vis. En tenant la vis un peu desserrée, déplacer à droite ou à gauche le panneau pour le centrer au panneau de la porte ou au reste des meubles de la cuisine.

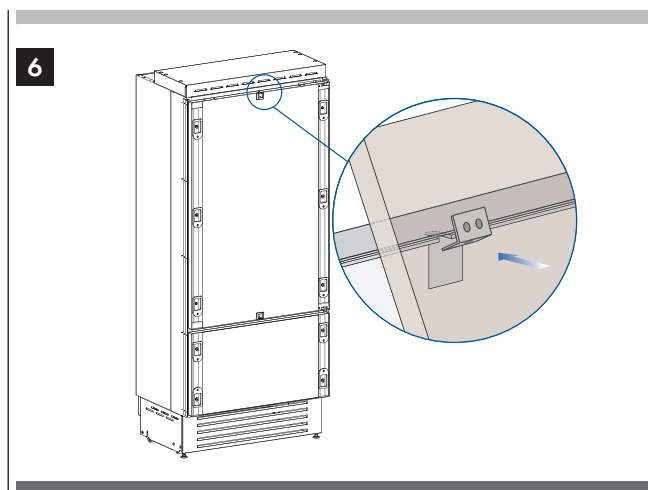
Une fois atteint l'ajustement désirée en hauteur, serrer le boulon de réglage du fond en utilisant l'écrou de blocage.



- Alignement en profondeur : en opérant de l'intérieur du tiroir, après avoir soulevé le joint magnétique, ajuster la position du panneau dans la direction Z en ajustant les boulons à épaulement et les vis de pression en parallèle, au moyen de la clé hexagonale de 4 mm, et verrouiller finalement toutes les positions de montage en place [ 4 & 5 ].

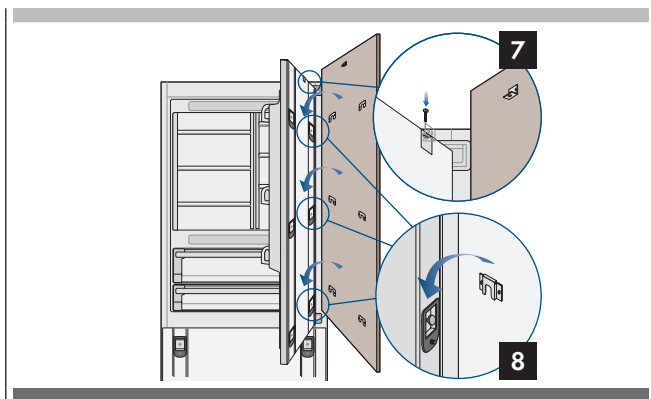


- Accrocher le panneau aux dispositifs de fixation en insérant dans les crans d'alignement supérieurs [ 6 ].

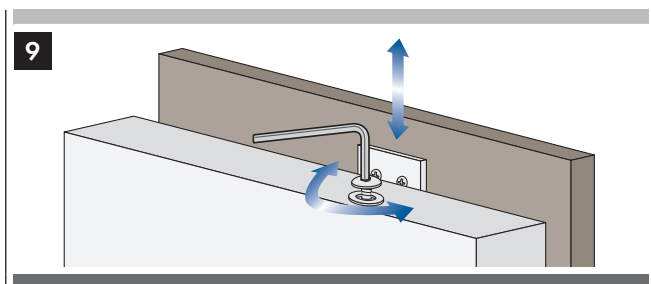




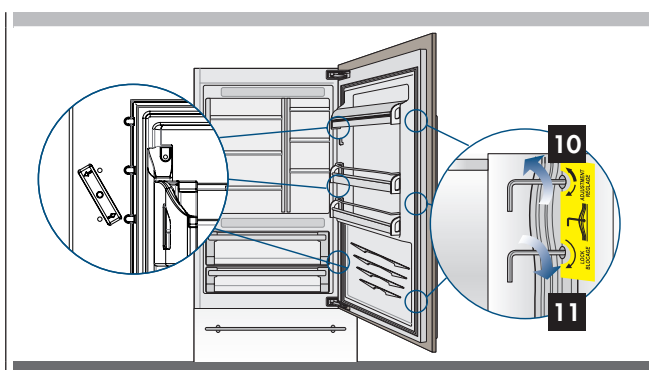
- Il est possible d'ajuster l'alignement du panneau par rapport aux meubles adjacents à l'aide des pattes et des équerres d'alignement [ 7 ] e [ 8 ].



- Il est possible d'ajuster l'alignement du panneau par rapport aux meubles adjacents à l'aide des pattes et des équerres d'alignement [ 9 ].



- Alignement en profondeur : en opérant de l'intérieur de la porte, après avoir soulevé le joint magnétique du côté de la poignée et en tournant les couvercles en plastique du côté de la charnière, ajuster la position du panneau dans la direction Z en ajustant les boulons à épaulement et les vis de pression en parallèle, au moyen de la clé hexagonale de 4 mm, et verrouiller finalement toutes les positions de montage en place [ 10 & 11 ].



#### NOTE

Une fois le panneau avant a été ajusté, vérifiez que le joint a été repositionné correctement pour assurer la porte/tiroir ferment correctement et éviter les erreurs opérationnelles de l'unité.

**!** IMPORTANT

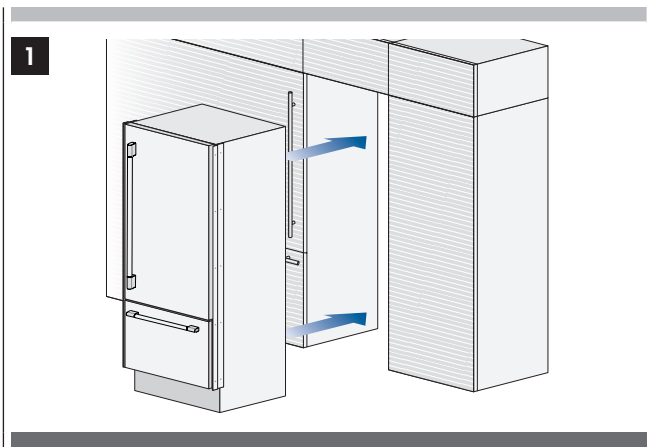
Les instructions suivantes pour l'installation s'appliquent à tous les modèles.

**6.1 Encastrement appareil unique**

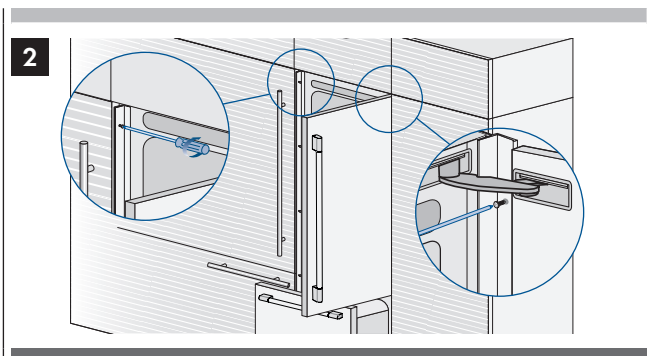
Des profils en aluminium peuvent être utilisés pour fermer les espaces entre l'appareil et les meubles adjacents ou un autre appareil juxtaposé à celui-ci.

**Intervenir de la manière suivante:**

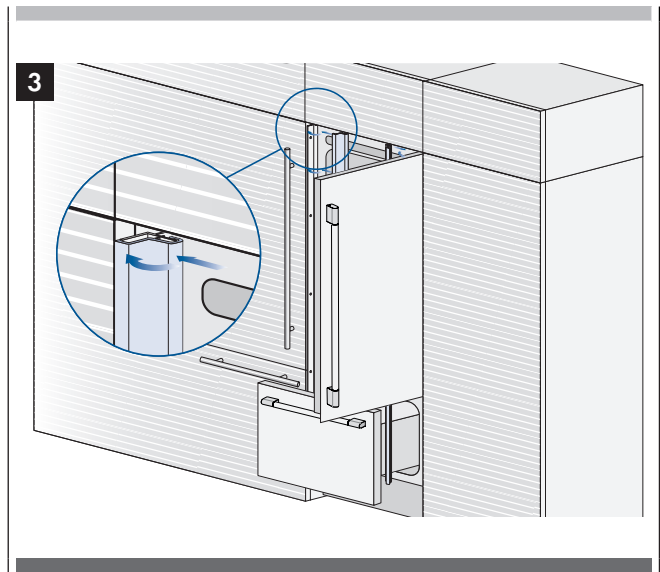
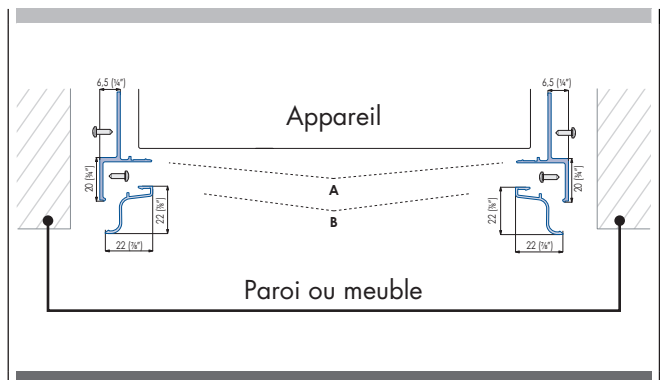
- Pousser l'appareil dans la niche d'installation [ 1 ].



- Si l'appareil doit être installé dans une niche ou à l'intérieur d'une structure fermée, il sera nécessaire de prévoir une cheminée de ventilation à l'arrière de la niche pour garantir une ventilation adéquate. Un écart de 5 mm (1/4") est suffisant pour éviter tout surchauffement. Assemblez toujours les panneaux frontaux à la porte et aux tiroirs avant de placer l'appareil dans sa position définitive dans la niche ou la structure.
- Vérifier que les pieds et les roues arrière soient à niveau avant d'encaster l'appareil.
- Fixer l'appareil aux meubles adjacents en vissant à ces derniers les deux profils latéraux, déjà montés sur l'appareil [ 2 ].  
Pour effectuer facilement l'opération, garder la porte et le grand bac ouverts.



- Monter sur les profils les corniches de couverture, en les insérant latéralement et puis en poussant avec force jusqu'au "clac" [ 3 ].

**Schéma de montage profils latéraux:**

**A** - Bordure de connexion du profil (les vis pour la fixation au meuble ne sont pas incluses)

**B** - Garniture de recouvrement du profil

## 6.2 Encastrement combinaison

### Accessoires nécessaires à commander séparément:

- Kit raccordement central (KCC)

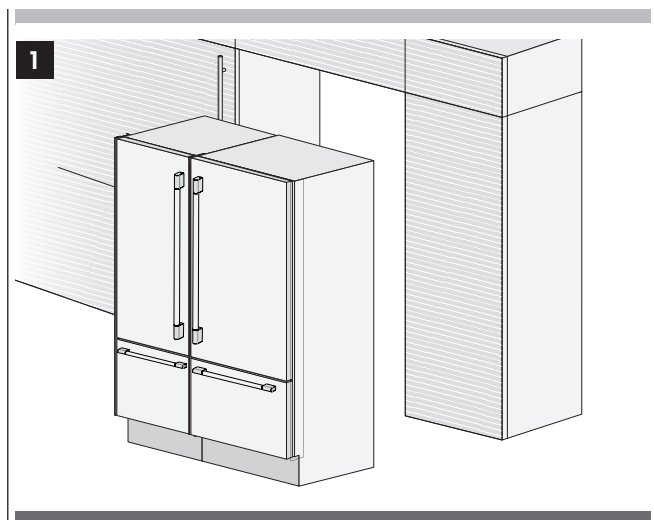
<b>REFSBSPRO60</b>	600/SOFIA	KIT D'ASSEMBLAGE SOFIA 1 PIÈCE (comprend bande de jonction, grille supérieure d'une seule pièce de 60" & coup-de-pied et couverture isolante)
<b>REFSBSINT60</b>	600/SOFIA	KIT D'ASSEMBLAGE Destinto 1 PIÈCE (comprend uniquement bande d'assemblage)
<b>REFSBSPRO72</b>	600/SOFIA	KIT D'ASSEMBLAGE SOFIA 1 PIÈCE (comprend bande de jonction, grille supérieure en une pièce de 72", coup-de-pied et couverture isolante)

#### NOTE

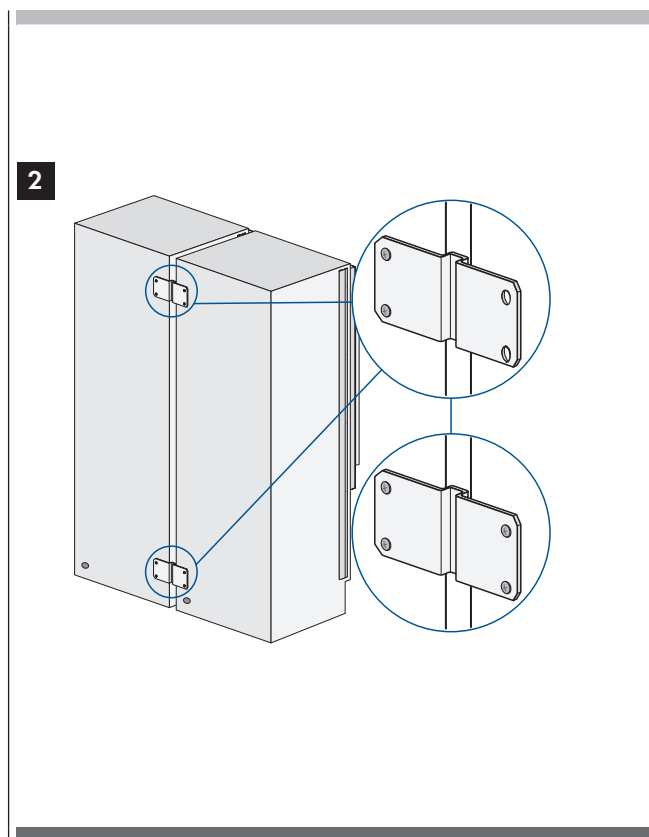
Des profils en aluminium peuvent être utilisés pour fermer les espaces entre l'appareil et les meubles adjacents ou un autre appareil juxtaposé à celui-ci.

### Intervenir de la manière suivante:

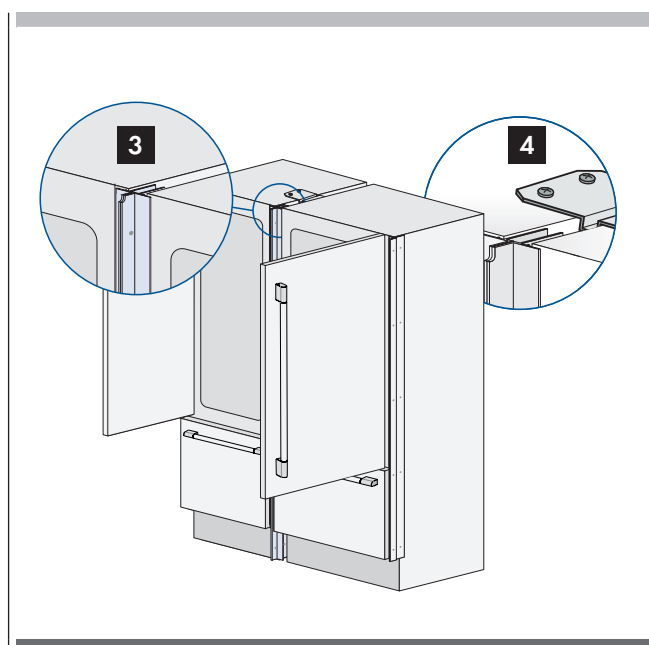
- Positionner les appareils devant la niche en laissant un espace suffisant pour intervenir sur l'arrière des appareils [ 1 ].



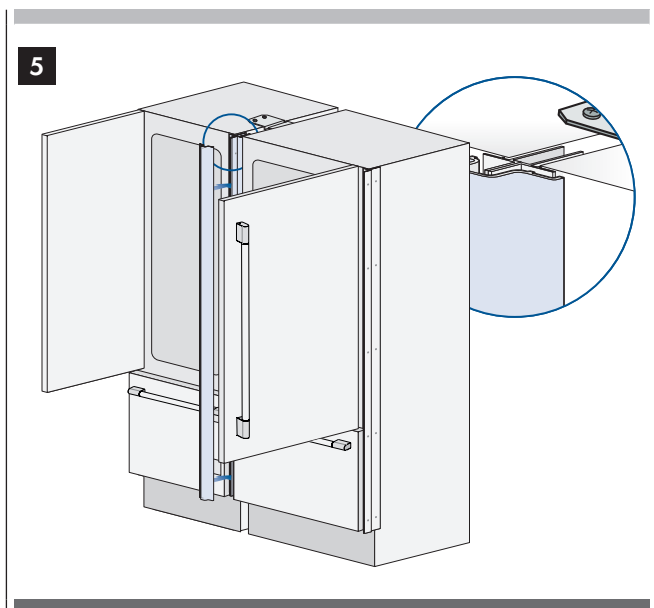
- Passer à l'arrière des appareils pour le montage des équerres de connexion. Fixer un côté de l'équerre supérieure et inférieure, d'abord sur un des deux appareils et ensuite sur l'autre [ 2 ]



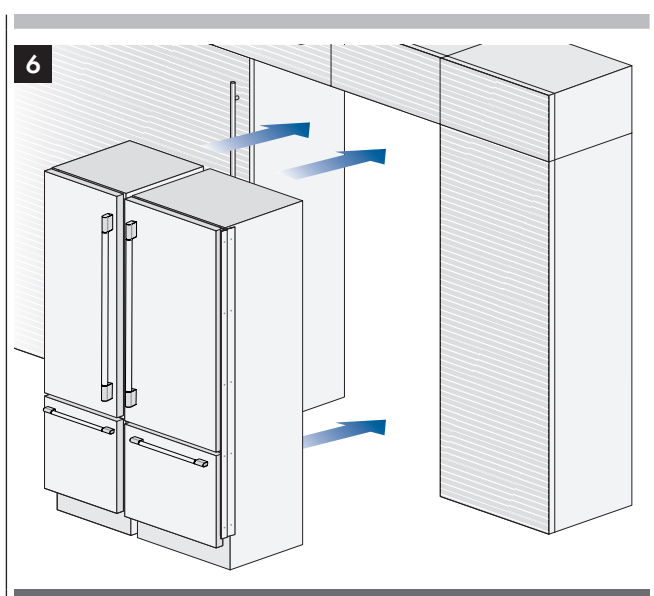
- Ensuite les accoupler sur le devant en fixant les deux profils avec les vis ou les rivets fournis [ 3 ]. Fixer le support sur la partie supérieure des unités (le cas échéant) comme illustré à la figure [ 4 ].



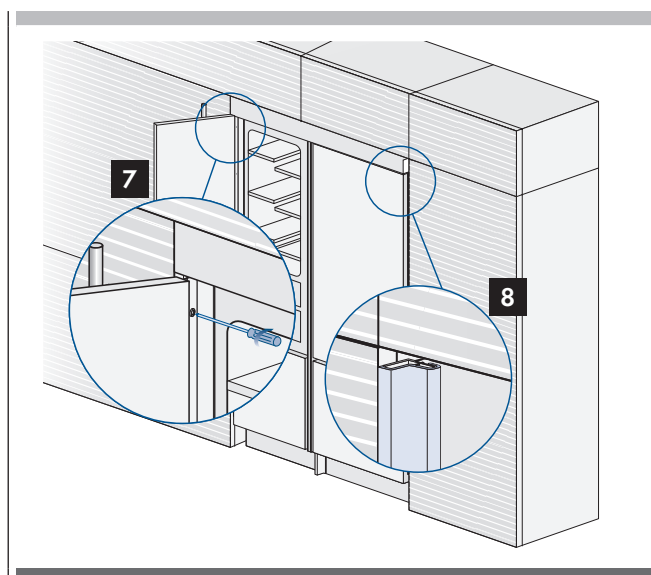
- Fixer l'équerre supérieure l'inférieure [ 5 ]. d'abord sur un appareil et puis sur l'autre.  
Compléter en montant la corniche de couverture centrale en poussant avec force jusqu'au "clic".



- Une fois complétés les passages ci-dessus, poussez les appareils dans leur position définitive [ 6 ].  
Il sera nécessaire de prévoir une cheminée de ventilation à l'arrière de la niche pour garantir une ventilation adéquate. Un écart de 5 mm est suffisant pour éviter tout surchauffement. Assemblez toujours les panneaux frontaux à la porte et aux tiroirs avant de placer l'appareil dans sa position définitive dans la niche ou la structure.
- Vérifier que les pieds et les roues arrière soient à niveau avant d'encastrer l'appareil.
- Fixer chaque appareil aux meubles adjacents en vissant à ces derniers les profils latéraux, déjà montés sur les appareils [ 7 ]. Pour effectuer facilement l'opération, garder la porte et le grand bac ouverts.



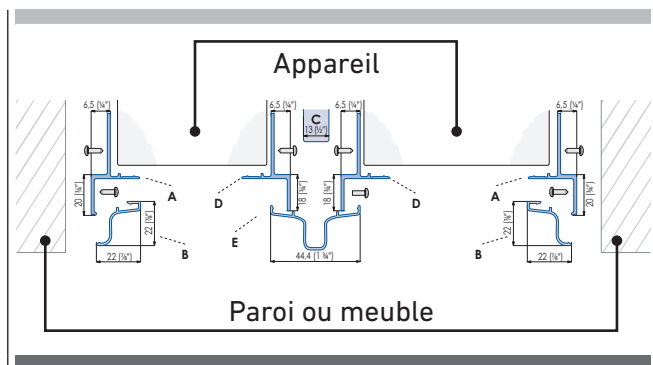
- Monter sur les profils les corniches de couverture, en les insérant latéralement et puis en poussant avec force jusqu'au "clic" (comme pour l'encastrement de l'appareil unique) [ 8 ].



#### ATTENTION

Faire attention car les appareils ont la partie avant plus lourde et peuvent s'incliner avant qu'ils soient fixés aux meubles adjacents.

### Schéma montage côtés et profils centraux:



- A - Bordure de connexion du profil (les vis pour la fixation au meuble ne sont pas incluses) alternativement
- B - Garniture de recouvrement du profil
- C - Profil de raccordement en plastique
- D - Profil de raccordement centrale
- E - ornière centrale en Aluminium de couverture

#### NOTE

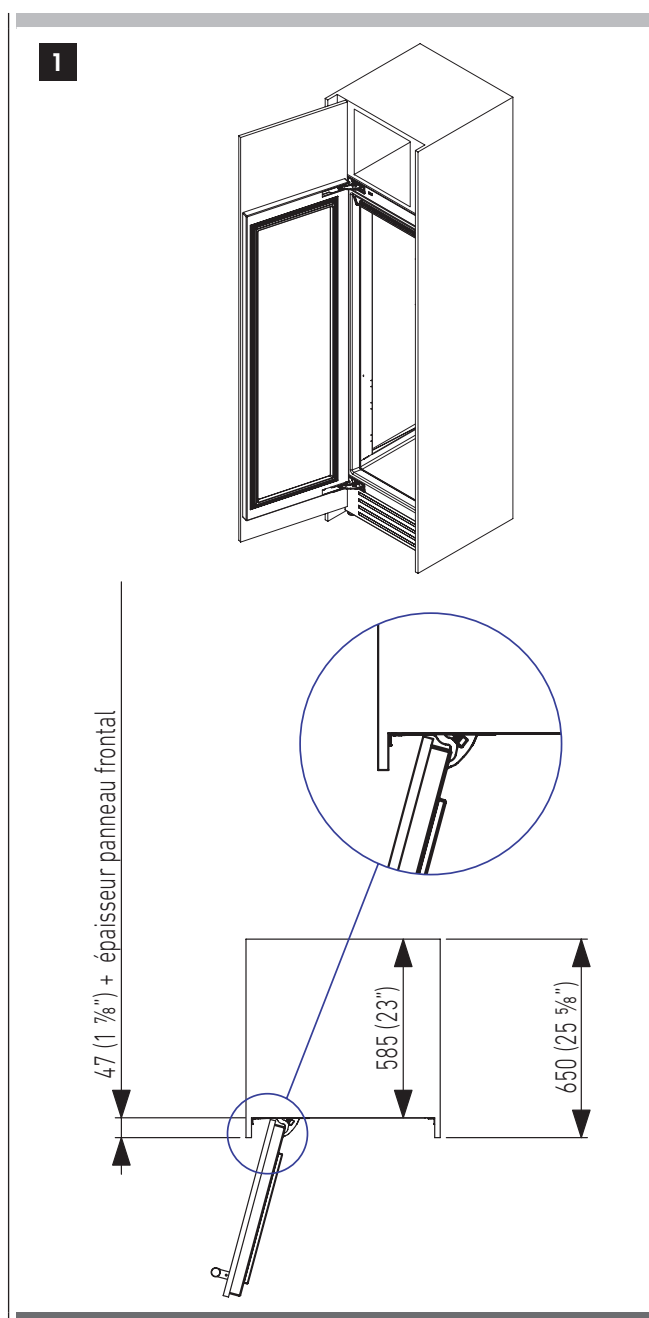
Dans tous les cas, si l'appareil est installé dans un emplacement plus grand de la largeur indiquée dans ce manuel, les garnitures du profil / cadres peuvent être déposés, calés et reposés pour élargir efficacement l'encombrement de l'appareil jusqu'à correspondre à la largeur de l'emplacement, en assurant ainsi une installation parfaite sans espaces vides. Il est important de tenir compte de cet aspect en cas de personnalisation des panneaux pour un emplacement plus large, afin de garantir l'espace / jeu désiré autour des panneaux.

### 6.3 Profondeur maximale structure au-dessus du réfrigérateur « Intégré » à « porte unique »

It is possible that the design of the kitchen and, in particular, notamment de la niche où doit être introduit le réfrigérateur « Intégré » prévoit un meuble au-dessus du réfrigérateur, meuble qui doit être fermé aussi par le panneau de la porte du réfrigérateur même.

Dans ce cas, la profondeur totale du meuble sans la porte (juste au-dessus du réfrigérateur) ne doit pas dépasser la profondeur totale du réfrigérateur même [ 1 ].

De cette façon il n'y aura aucune interférence avec le panneau fixé sur la porte du réfrigérateur, en assurant ainsi une ouverture correcte pendant la rotation jusqu'à 105°.



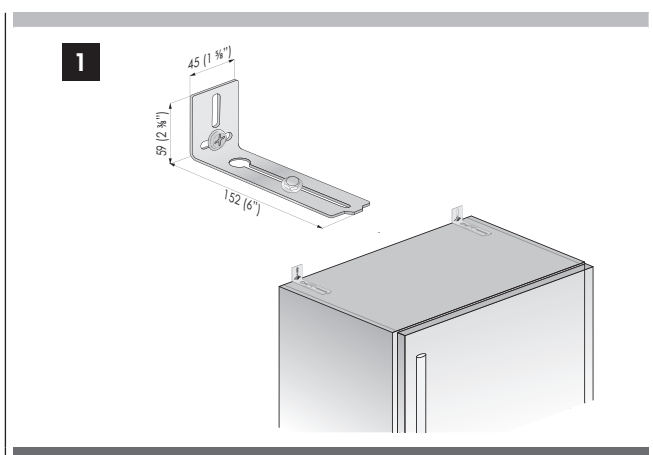
## 7.1 Montage de la sécurité anti-renversement

## NOTE

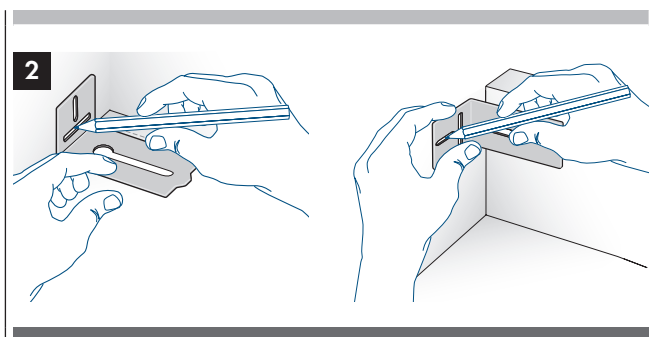
Si l'appareil(s) n'est pas relié par les garnitures des profils latéraux au meuble, il est nécessaire d'installer les équerres anti-renversement afin d'éviter toute chute en avant du produit pendant l'utilisation, pouvant entraîner des dommages ou des blessures. Toute demande d'intervention en garantie liée à une situation de renversement sera nulle si l'appareil(s) n'est pas fixé solidement.

## Intervenir de la manière suivante:

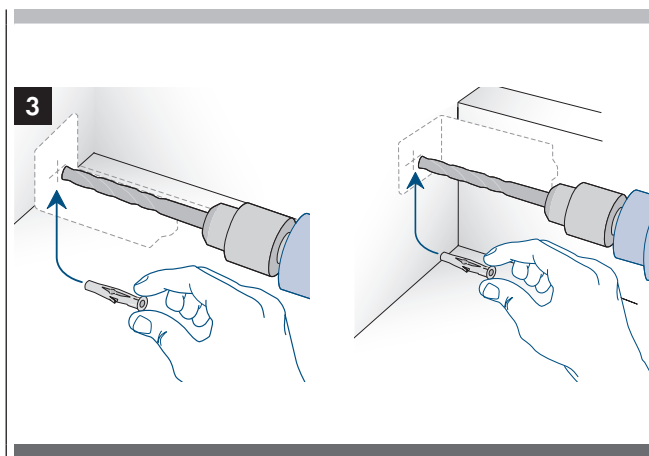
- Les équerres devraient être appliquées comme illustré, en utilisant les vis fournies. En cas d'utilisation des équerres anti-renversement, il est recommandé de les fixer dans des charpentes en bois ou en béton - les plaques de plâtre ne pourraient pas supporter le poids de l'appareil. Positionner un équerre sur la partie supérieure de l'appareil en correspondance des trous de fixation et contre le mur [ 1 ].



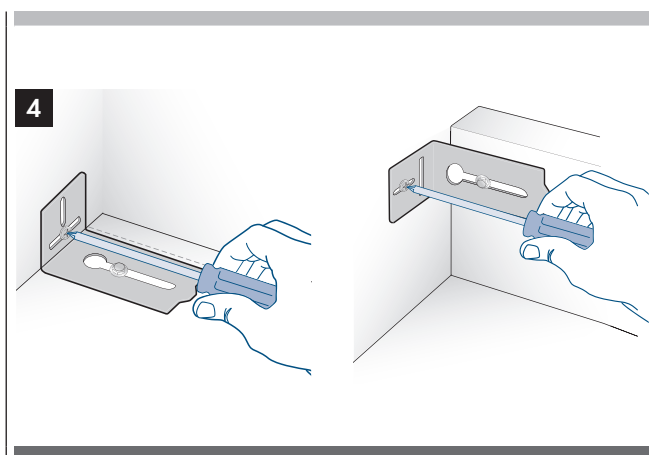
- Marquer la position des trous avec un crayon [ 2 ].



- Percer le mur avec une mèche de 8 mm (3/8") et insérer la vis tamponnée [ 3 ].



- Replacer l'équerre et la fixer d'abord sur la partie supérieure du meuble et, ensuite, au mur [ 4 ].



## NOTE

Pour pouvoir utiliser les équerres anti-renversement sur des modèles avec le compresseur installé sur la partie supérieure, il est nécessaire de retirer temporairement la partie supérieure, le plafond métallique / panneau de protection, afin d'accéder aux points de boulonnage des équerres.

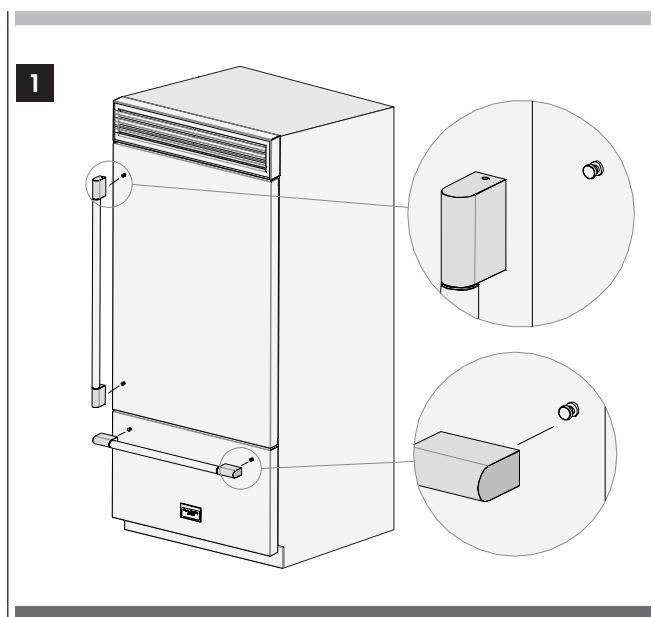
## 7.2 Montage des poignées sur le devant inoxydable

### NOTE

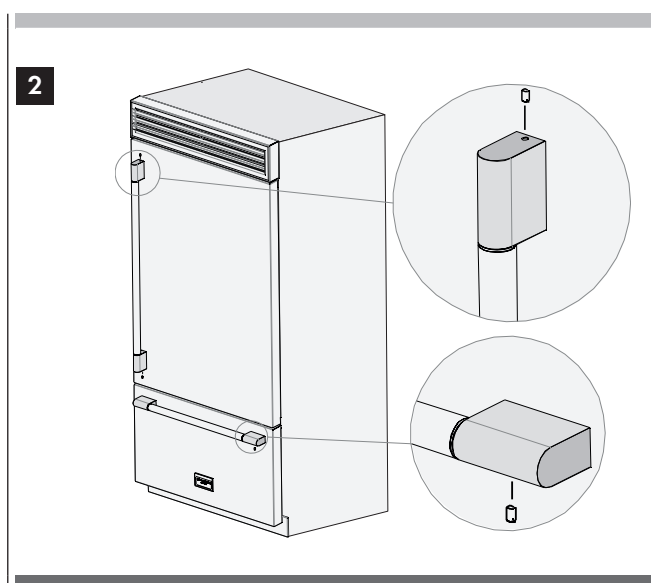
Pour fixer les poignées à la porte et au grand bac, intervenir comme indiqué.

#### Intervenir de la manière suivante:

- Insérer les écarteurs sur les deux goujons présents sur la porte et sur le grand bac [ 1 ].



- Visser les vis à six pans présentes dans la poignée [ 2 ].

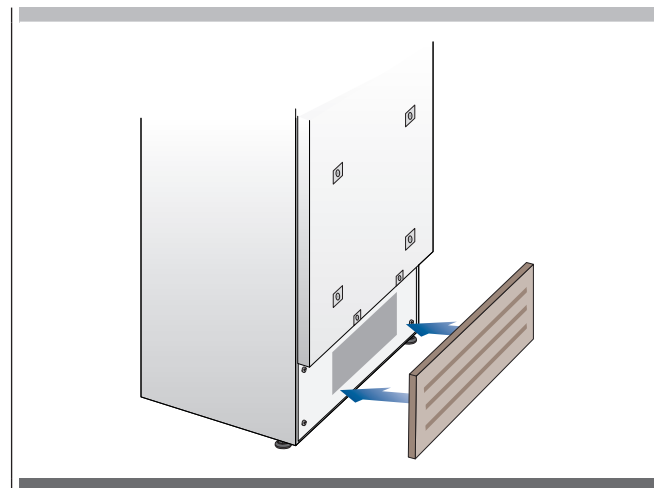


Les vis de fixation seront serrées à fond, en utilisant une clé à six pans de 2,5 mm (1/4").

## 7.3 Circulation de l'air

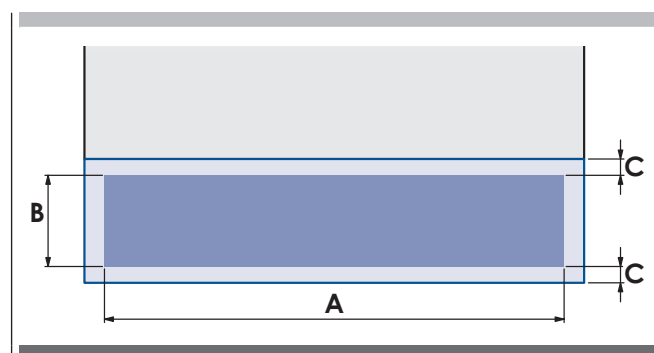
### SÉRIE Professional Built-In:

Un système à air forcé assure la ventilation à travers la grille positionnée dans la dans la partie inférieure de l'appareil. Si l'aménagement de la cuisine prévoit une plinthe, cette dernière doit être trouée afin de garder un niveau d'aération satisfaisant, comme expliqué dans le dessin



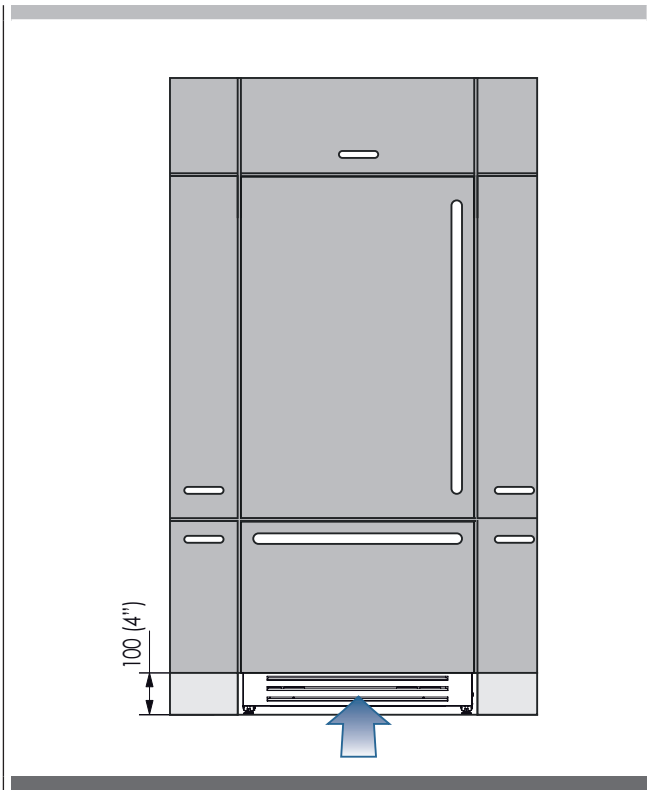
Les trous peuvent être de toute sorte de forme et dimension, à condition que la surface totale de la partie trouée est égale au 50% de la surface de la plinthe.

Dans ce cas, pour permettre une meilleure aération, il est préférable de retirer la grille frontale de l'ensemble. La grille est accrochée à l'ensemble avec des plaques magnétiques et peut être facilement retirée par l'utilisateur final, afin d'être nettoyée régulièrement de la poussière.



	Série 36"	Série 24"
A	860 (33 7/8")	560 (22")
B	> 100 (4")	
C	10 (3/8")	

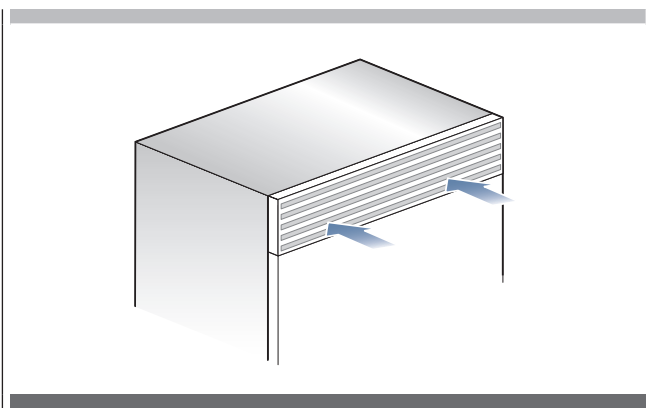
La grille de ventilation ne doit pas être bloqué ou couvert d'aucune manière. Il doit aussi être dépoussiéré / nettoyés régulièrement.



### SÉRIE Professional Series:

La ventilation est garantie par un système à air forcé à travers une grille positionnée dans la partie haute de l'appareil. Cette grille ne doit en aucun cas être couverte par des panneaux ou autres dispositifs qui pourraient en réduire l'efficacité.

S'il vous plaît se référer à la page 5-6 pour assurer une circulation d'air correcte.

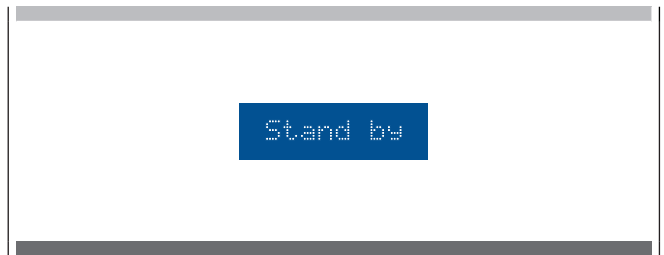



## 7.4 Contrôle de fin d'installation mise en marche

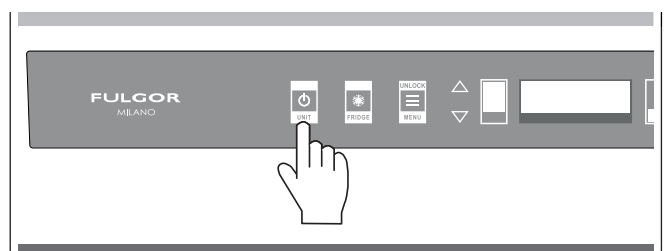
- ✓ Contrôler que les pieds sont correctement installés.
- ✓ Contrôler que le raccordement à l'installation hydrique ne présente pas de fuites d'eau et que le robinet de fermeture est facilement accessible.
- ✓ Contrôler que le branchement électrique soit correctement réalisé et que la fiche et l'interrupteur omnipolaire dédié soient facilement accessibles.
- ✓ Contrôler le parfait alignement de l'appareil avec les meubles adjacents.
- ✓ Contrôler que chaque ruban adhésif ou protection temporaire interne ou externe soit éliminé.
- ✓ Contrôler la parfaite étanchéité des portes et le coulissement des bacs et des clayettes.

## 7.5 Mise en marche


- Pour mettre en marche l'appareil, brancher la fiche au réseau électrique: lorsque la porte est ouverte, apparaît sur le panneau de commande le message "Stand-by", alors que toutes les touches du panneau sont éteintes.



- Pour mettre en marche tous les compartiments de l'appareil, appuyer pendant 3 secondes sur la touche Unit . Le message "initial test" apparaîtra pendant environ 2 minutes, ensuite les compresseurs seront actifs jusqu'à attendre la température prévue en usine par défaut. Veuillez noter que cette opération pourrait durer plusieurs heures.
- Si l'appareil est fourni avec un appareil à glaçons avant de le mettre en marche pour la première fois, veuillez vous assurer que la cartouche du filtre pour l'eau a bien été installée et effectuez un remplissage du circuit hydraulique.





- Purge air from the water lines by enacting the 'Manual Clean' function from the Menu->Functions->Water Filter options. You may need to complete this sequence several times until you stop hearing air sputtering from the ice maker fill tube. (Consulter le Manuel d'Utilisation et d'Entretien).
- Once you are satisfied that the system is purged of air switch the Ice Maker on by touching the  button which will illuminate.

**NOTE**

Si le tiroir Fesh Zone est configuré comme réfrigérateur ou comme Fresh, la machine à glaçons sera désactivée. Le mode par défaut pour le tiroir Fesh Zone est Congélateur.

- Pour toute autre information concernant le fonctionnement de l'appareil, se référer au Mode d'emploi.

**NOTE**

Si lors de la première mise en marche, n'apparaît pas le message Stand-by, mais apparaissent Fridge too warm, Freezer too warm ou signaux sonores, cela signifie que l'appareil a déjà commencé la procédure de refroidissement.

Dans ce cas désactiver les éventuels messages sonores en effleurant la touche Alarm, refermer la porte et attendre que les températures programmées soient atteintes.

**IMPORTANT**

Il faut laisser l'unité atteindre la température de fonctionnement vide et avec la porte et un tiroir fermé avant que les aliments sont stockés à l'intérieur.



TABLA DE MATERIAS	PAG.
<b>1. Información Importante</b>	<b>2</b>
1.1 Información importante para la seguridad	2
1.2 Para la seguridad de los niños	2
<b>2. Requisitos Técnicos</b>	<b>3</b>
2.1 Características del equipo y requisitos de instalación	3
2.2 Características del hueco de instalación: Serie Professional Built-In	4
2.3 Características del hueco de instalación: Serie Professional Series	5
<b>3. Preparación Para La Instalación</b>	<b>6</b>
3.1 Transporte hasta el punto de instalación y desembalaje	6
3.2 Conexiones eléctrica e hidráulica	6
3.3 Energías: alternativas y domótica	7
3.4 Nivelación	8
<b>4. Dimensiones Del Nicho</b>	<b>9</b>
4.1 Dimensiones del nicho y tipos de instalación: Series Professional Built-In	9
4.2 Instalación a ras con molduras de aluminio estándar	9
4.3 Instalación saliente con molduras de aluminio estándar	9

TABLA DE MATERIAS	PAG.
<b>5. Montaje De Los Paneles</b>	<b>10</b>
5.1 Preinstalación de los paneles decorativos para puerta y cajones	10
5.2 Preinstalación de los paneles decorativos para frigoríficos de un cajón	12
5.3 Preinstalación de los paneles decorativos para frigorífico con puerta de cristal y un cajón	13
5.4 Medidas de los paneles de los modelos con un cajón	14
5.5 Montaje de las manillas	15
5.6 Fijación de los paneles a la puerta y al cajón	16
<b>6. Instalación Encastrable</b>	<b>18</b>
6.1 Hueco de equipo sencillo	18
6.2 Encastre combinado	19
6.3 Profundidad máxima del bastidor sobre frigorífico "Integrado" con "hoja única"	21
<b>7. Completar La Instalación</b>	<b>22</b>
7.1 Montaje del dispositivo de seguridad antivuelco	22
7.2 Montaje de las manillas en frontales de acero inoxidable	23
7.3 Ventilación	23
7.4 Control final de instalación	24
7.5 Puesta en funcionamiento	24

## 1.1 Información importante para la seguridad

Símbolos utilizados en el manual:

### NOTA

Consejos para el uso correcto del equipo

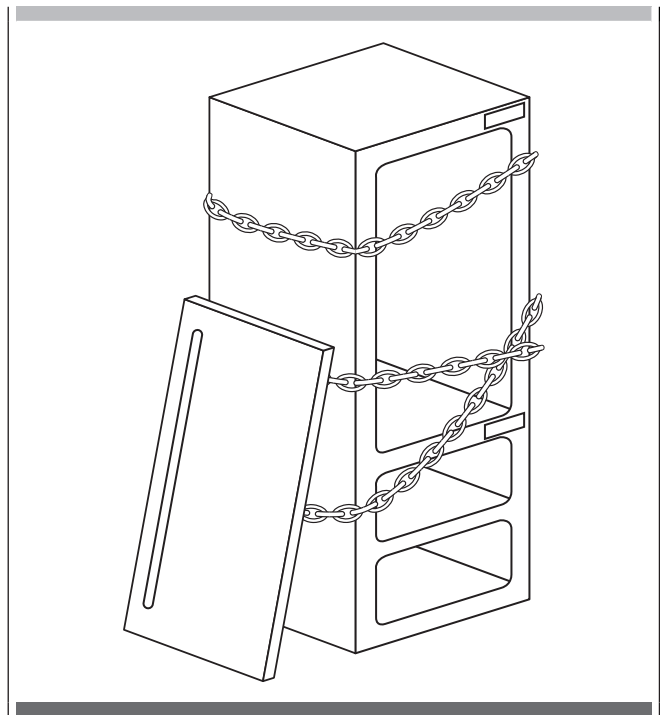
### IMPORTANTE

Información para no dañar el equipo

### ATENCIÓN

Información para evitar lesiones personales

## 1.2 Para la seguridad de los niños



En caso de sustitución del equipo por otro ya existente que se ha de eliminar, comprobar que este último no represente un peligro para los niños. Cortar el cable de alimentación y desmontar la puerta para impedir su cierre y evitar el riesgo de atrapamiento.

### IMPORTANTE

Las medidas en pulgadas se expresan entre paréntesis.

Los pesos en libras se expresan entre paréntesis.

Las temperaturas en grados Fahrenheit se expresan entre paréntesis.

### 2.1 Características del equipo y requisitos de instalación

Dimensiones equipo Professional Built-In	
<b>Serie 24"</b>	w: 599 mm (23 5/8") h: 2120 mm (83 1/2") d: 610 mm ( 24")
<b>Serie 36"</b>	w: 899 mm (35 3/8") h: 2120 mm (83 1/2") d: 610 mm ( 24")

Dimensiones equipo Professional Series	
<b>Serie 24"</b>	w: 599 mm (23 5/8") h: 2120 mm (83 1/2") d: 635 mm ( 25")
<b>Serie 36"</b>	w: 899 mm (35 3/8") h: 2120 mm (83 1/2") d: 635 mm ( 25")

Dimensiones embalaje	
<b>Serie 24"</b>	w: 650 mm (25 5/8") h: 2260 mm ( 89") d: 800 mm (31 1/2")
<b>Serie 36"</b>	w: 950 mm (37 3/8") h: 2260 mm ( 89") d: 800 mm (31 1/2")

Peso con embalaje	
<b>Serie 24"</b>	up to 230 kg (507 lb)
<b>Serie 36"</b>	up to 295 kg (650 lb)

<b>Tensión de alimentación</b>	AC 110 - 120V 60Hz
<b>Cable de alimentación</b>	90° Nema 5-15P
<b>Presión de alimentación del agua potable</b>	de 0.05 MPa a 0.5 MPa (0,5 Bar - 5 Bar)
<b>Tubo de alimentación del agua</b>	3/4" NPT (1/4" adaptador de codo incluido)
<b>Accesorios para la instalación de serie</b>	<ul style="list-style-type: none"> <li>- kit de fijación de los paneles personalizados (si aplica)</li> <li>- kit antivuelco</li> <li>- kit de unión lateral</li> <li>- llave Allen de 4 mm (1/8")</li> </ul>
<b>Herramientas necesarias</b>	<ul style="list-style-type: none"> <li>- destornillador de estrella</li> <li>- taladradora para madera</li> <li>- broca para madera de 2.5 mm (1/8")</li> <li>- broca para pared de 8 mm (3/8")</li> <li>- llave fija de 17 mm (11/16")</li> <li>- llave fija de 19 mm (3/4")</li> </ul>

## 2.2 Características del hueco de instalación: Serie Professional Built-In

A - espacio para escuadras antivuelco

**Altura mínima del hueco**  
2134 mm (84")

**Anchura mínima del hueco**  
36": 902 mm (35 1/2")  
24": 602 mm (23 3/4")

**Profundidad mínima del hueco**  
610 mm (24") + Grosor del panel para instalación al ras

**Dimensiones con puerta abierta**  
36": 1470 mm (57 7/8")  
24": 1170 mm (46")

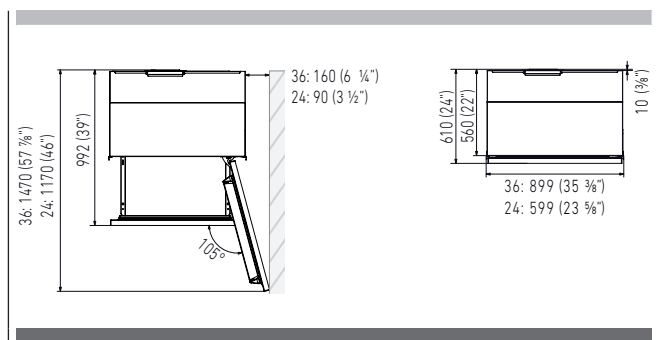
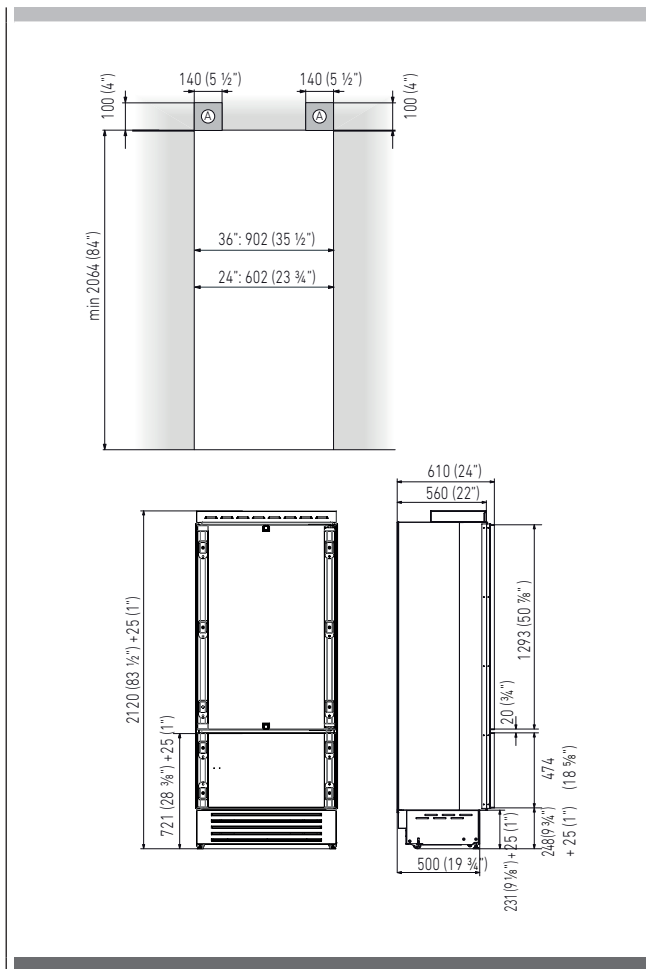
**Ángulo de apertura de la puerta**  
105°

**Anchura**  
36": 899 mm (35 3/8")  
24": 599 mm (23 5/8")

**Altura del equipo**  
2120 mm (83 1/2") + 25 mm (1")

**Profundidad con puerta (sin panel)**  
610 mm (24")

**Distancia mínima desde la pared (lado bisagra)**  
36": 160 mm (6 1/4")  
24": 90 mm (3 1/2")



## 2.3 Características del hueco de instalación: Serie Professional Series

A - espacio para escuadras antivuelco

**Altura mínima del hueco**  
2134 mm (84")

**Anchura mínima del hueco**  
36": 902 mm (35 1/2")  
24": 602 mm (23 3/4")

**Dimensiones con puerta abierta**  
36": 1470 mm (57 7/8")  
24": 1170 mm (46")

**Ángulo de apertura de la puerta**  
105°

**Anchura**  
36": 899 mm (35 3/8")  
24": 599 mm (23 5/8")

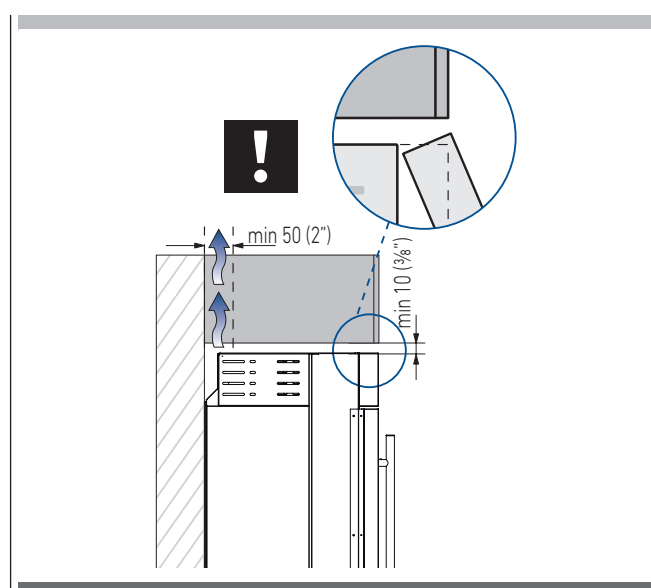
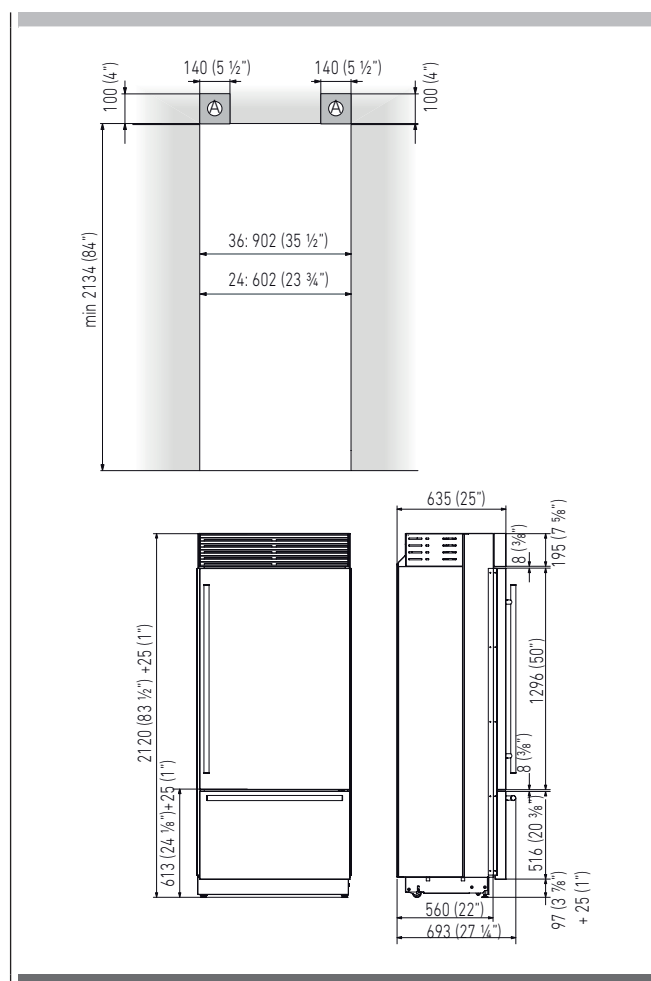
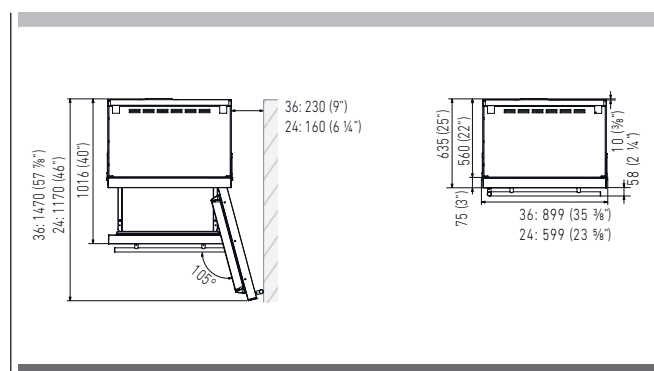
**Altura del equipo**  
2120 mm (83 1/2") + 25 mm (1")

**Profundidad con puerta**  
635 mm (25")

**Distancia mínima desde la pared (lado bisagra)**  
36": 230 mm (9")  
24": 160 mm (6 1/4")

### ! IMPORTANTE

Si el equipo se ha de instalar en un hueco cerrado por la parte superior, es necesario garantizar una chimenea de ventilación trasera con salida al exterior. El área de ventilación de la chimenea transversal debe ser igual a 200 cm<sup>2</sup> (31 in<sup>2</sup>)



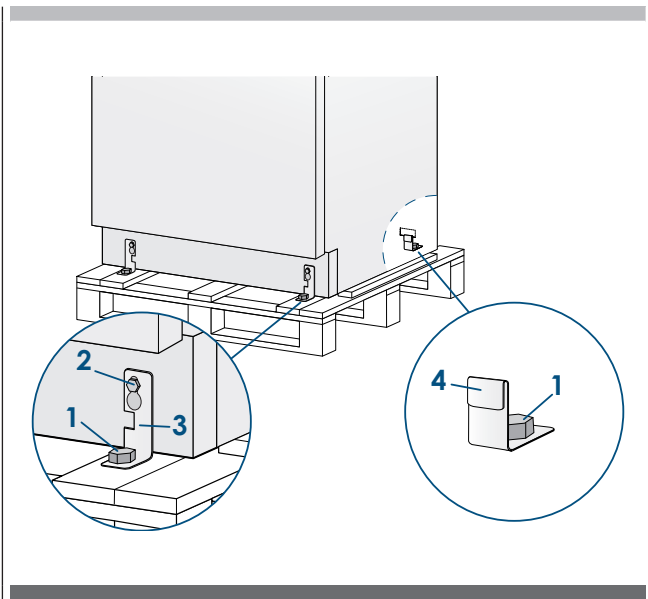
### 3.1 Transporte hasta el punto de instalación y desembalaje

#### !!! ATENCIÓN

El electrodoméstico es muy pesado y gran parte del peso puede estar en la parte superior. Es necesario prestar la máxima atención durante el manejo para evitar lesiones.

#### ! IMPORTANTE

Transportar el equipo en posición vertical.  
No transportar el equipo sobre el lado frontal.



Debido a su elevado peso y gran tamaño, antes de transportar el equipo es necesario solicitar información sobre las modalidades de acceso al punto de instalación (medidas de las puertas, espacio de movimiento en las escaleras, etc.).

El equipo está fijado a la base del embalaje (palé) con cuatro soportes removibles. Se recomienda utilizar un transportador manual para mover el equipo hasta la zona de instalación y solo entonces retirar la base del embalaje. El equipo se debe transportar en posición vertical. Si ello no fuera posible, transportar el equipo apoyado sobre el fondo.

Al llegar a la zona prevista para la instalación, quitar los embalajes y bajar el equipo del palé.

#### Realizar lo siguiente:

- Quitar los cuatro pernos [ 1 ] que fijan el equipo al palé utilizando una llave fija de 17 mm (3/4") y desmontar los soportes de fijación [ 3 ] y [ 4 ].
- Para soltar el soporte de fijación delantero [ 3 ], destornillar el perno de ajuste de la rueda trasera [ 2 ] utilizando una llave de 13 mm (1/2"). Evitar forzar el perno en sus puntos de tope en un sentido u otro para no dañar el sistema de nivelación trasero.

Asegurarse de que las patas niveladoras delanteras estén retraídas de manera tal que las 4 ruedas permanezcan en contacto con el suelo, facilitando la maniobra.

- Por la parte trasera del equipo y utilizando una carretilla manual adecuada para las dimensiones y el peso del equipo, bajarlo del palé y depositarlo en el suelo. Poner la máxima atención para evitar dañar el pavimento. Proteger los pavimentos muy delicados con paneles de faesite, de madera contrachapada u otro material adecuado

### 3.2 Conexiones eléctrica e hidráulica


#### 📎 NOTA

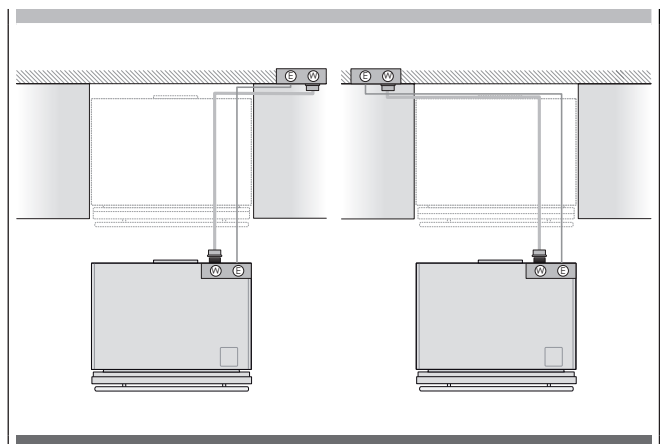
El filtro no puede garantizar la potabilidad de agua no apta para uso alimentario.

#### !!! ATENCIÓN

Conectar solo a una red de suministro de agua potable.

#### ! IMPORTANTE

No utilizar cables de extensión ni adaptadores.  
Una vez que el electrodoméstico esté completamente instalado, conectado al suministro de agua (si corresponde) y en funcionamiento, y en caso de que se tenga que cerrar el suministro de agua, pulsar el botón  del panel de control para desactivar el fabricante de hielo antes de que se cierre el agua principal, de este modo se evitará que el aparato entre en el estado de alarma «NO WATER IN» (NO ENTRA AGUA).



Los electrodomésticos se entregan de fábrica listos para funcionar a 110V-120V AC - 60Hz (EE. UU. y Canadá). Están equipados con un cable de alimentación y un enchufe adecuados para la conexión a una toma de 15A con conexión a tierra. Es necesario instalar también



un disyuntor dedicado de 15 A, al cual se deberá poder acceder fácilmente para su desactivación antes de realizar el mantenimiento de la instalación.

Para la conexión con el sistema de abastecimiento de agua (en caso de electrodomésticos equipados con máquinas para hacer hielo) es necesario contar con una línea de agua de 1/4" con acceso a la válvula de desconexión.

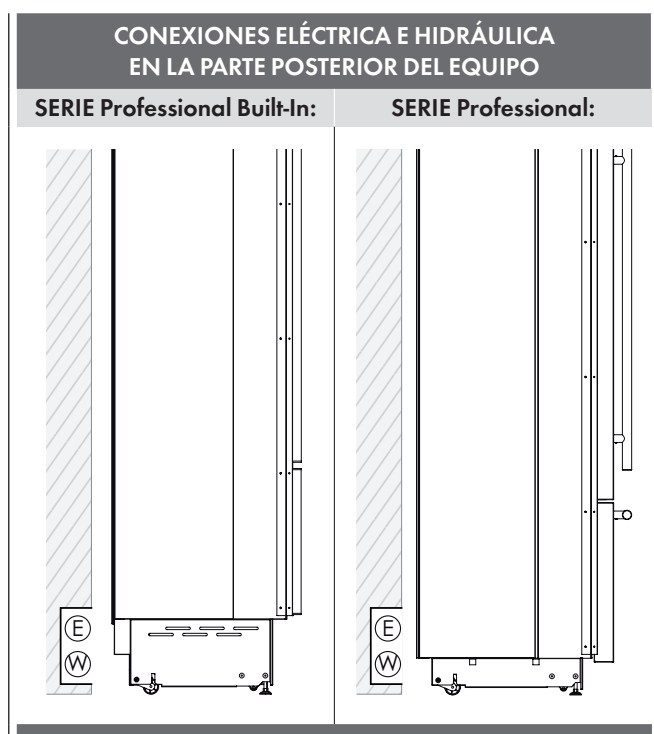
El electrodoméstico consta de un codo adaptador adecuado para la presión de agua recomendada que cumple la normativa vigente sobre alimentos y bebidas.

El cartucho de filtro del agua, suministrado con el electrodoméstico, debe ser instalado tal y como se indica en las instrucciones adjuntas. El diámetro de la conexión solenoide del electrodoméstico es de 3/4 ", pero tiene rosca métrica (NPT). Un conector roscado de manguera estándar, como los de las mangueras de acero inoxidable trenzada que se encuentran normalmente en las ferreterías, arrancarían o dañarían los hilos del solenoide. Se recomienda utilizar solo el adaptador de codo con conexión rápida de 1/4" suministrado para conectar una línea de agua de cobre o polietileno de 1/4" al electrodoméstico.



#### IMPORTANTE

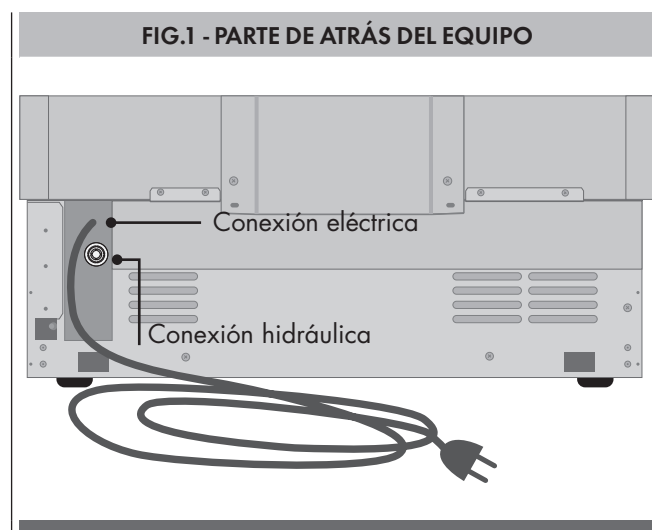
No utilizar alargadores ni adaptadores múltiples de conexión.




### 3.3 Energías: alternativas y domótica

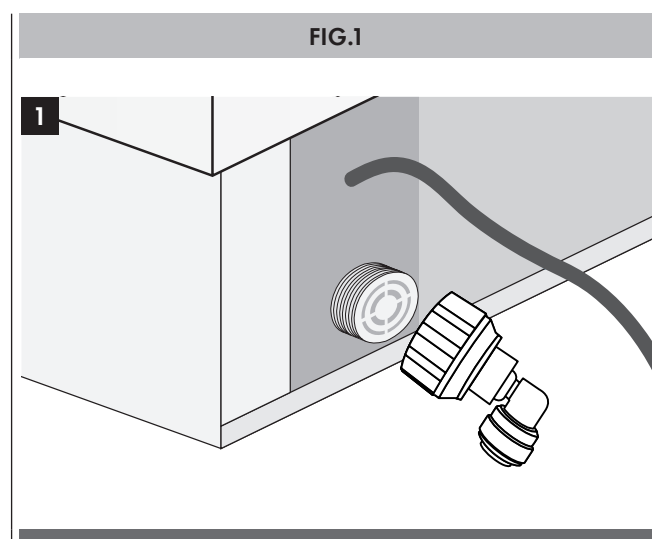
Si la energía se suministra a través de una fuente de energía alternativa (solar, geotérmica, etc.) o si los sistemas de automatización del hogar han sido instalados con señales portadoras en las líneas eléctricas, puede que resulte necesario instalar un transformador de aislamiento (no suministrado) para evitar interferencias con la electrónica del electrodoméstico.

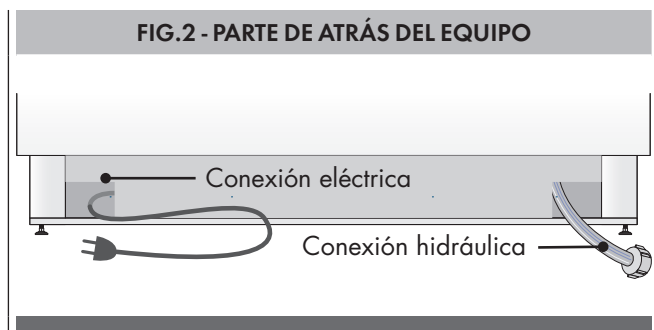
#### SERIES Professional Built-In:



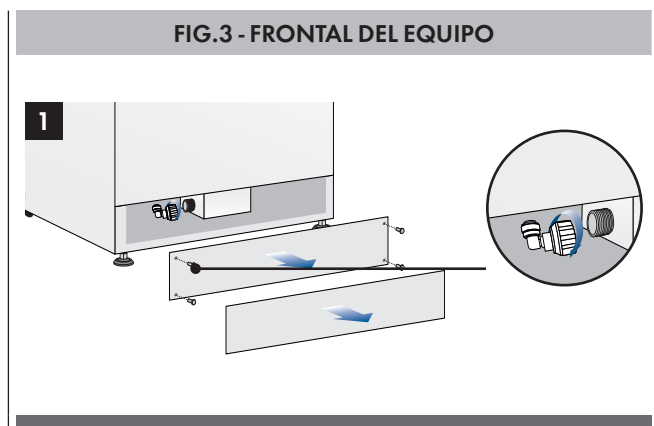
#### Realizar lo siguiente:

- Desenrollar el cable eléctrico y conectarlo directamente a la toma de la pared.
- Comprobar que el equipo esté en Stand by y que las luces estén apagadas; si no lo están, pulsar el botón Unit  para apagar el equipo [ 1 ] .



**SERIE Professional:****Realizar lo siguiente:**

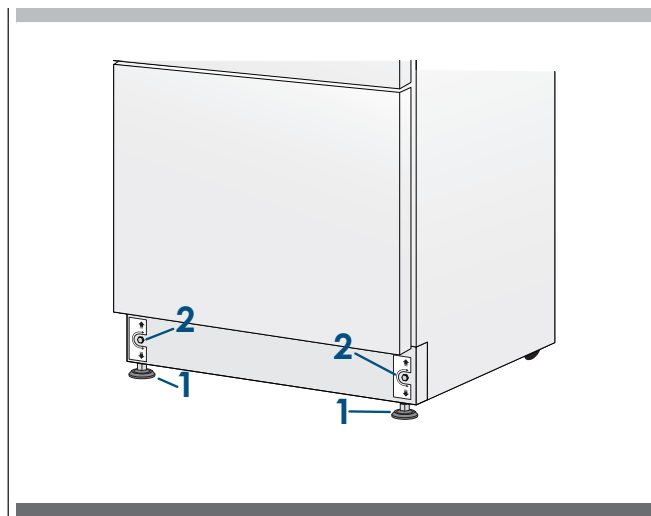
- Desenrollar el cable eléctrico y conectarlo directamente a la toma de la pared.
- Comprobar que el equipo esté en Stand by y que las luces estén apagadas; si no están, pulsar el botón Unit para apagar el equipo [ 1 ] .



- Apretar firmemente con los dedos, no deberían necesitarse herramientas ni llaves para conseguir un sellado adecuado. Abrir la llave del agua y, antes de empujar la unidad en el nicho, asegurarse no hay pérdidas en los empalmes.

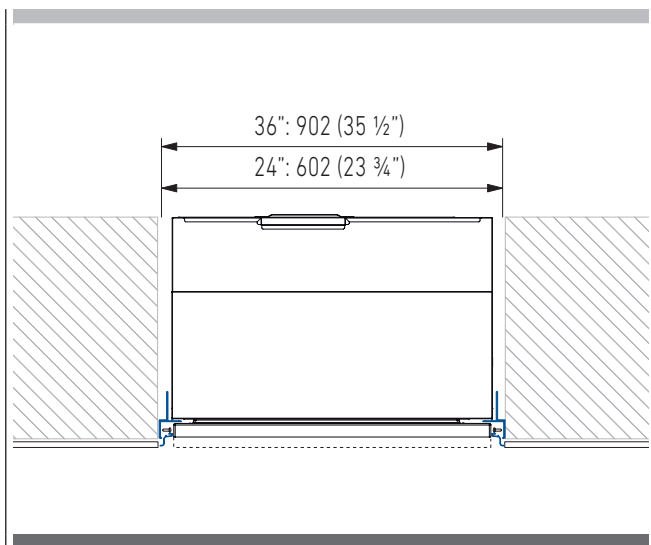
**3.4 Nivelación**

Nivelar el equipo ajustando los pies y las ruedas traseras de la base.

**Realizar lo siguiente:**

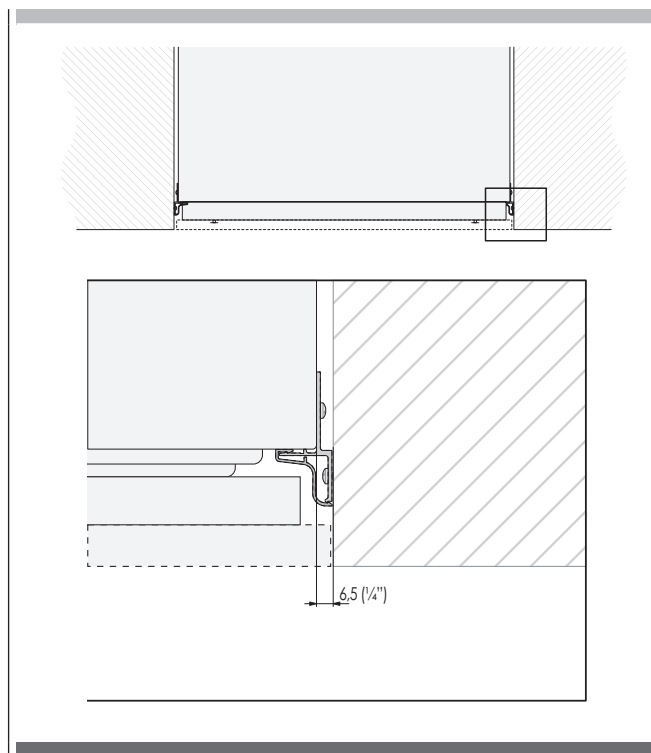
- Si es necesario, retirar el zócalo o la rejilla inferior (se mantiene en su posición mediante imanes) y ajustar la altura de las patas niveladoras [ 1 ] utilizando una llave de 17 mm (1 1/16").
- Después, ajustar la altura de las ruedas traseras girando los pernos de ajuste delanteros [ 2 ] en sentido horario (levantar) o antihorario según resulte necesario.
- Si para llevar a cabo la operación se utiliza un destornillador eléctrico, hay que tener cuidado y bajar el agarre para evitar dañar el mecanismo de nivelación.
- Volver a montar el zócalo o la rejilla inferior.

4.1 Dimensiones del nicho y tipos de instalación: Series Professional Built-In



Series	Nicho	Anchura paneles
36"	902 (35 1/2")	897 (35 1/4")
24"	602 (23 3/4")	597 (23 1/2")

4.2 Instalación a ras con molduras de aluminio estándar

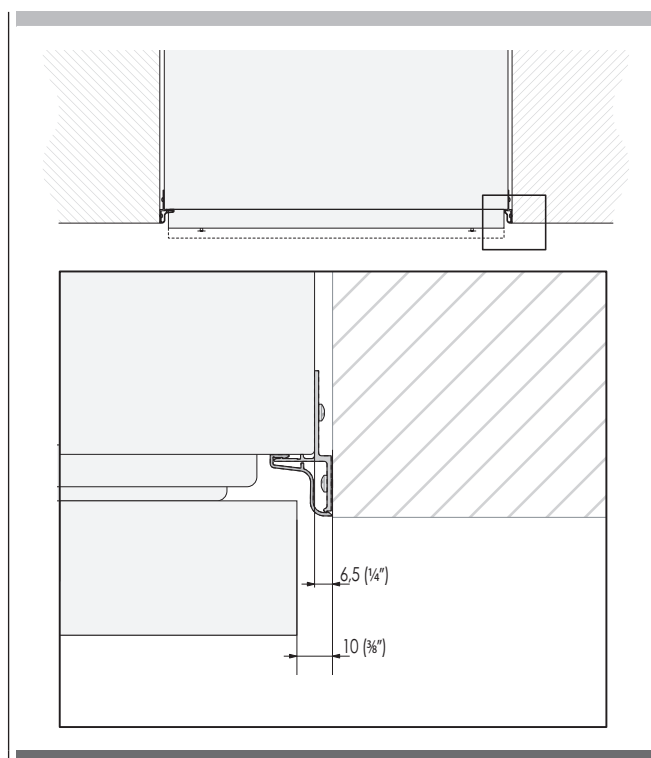


B - KCCITU: Kit de conexión central

REFSBSPRO60	600/SOFIA	KIT DE UNIÓN SOFIA 1 PIEZA (incluye banda de unión, 60" parrilla superior de una pieza. & rejilla de ventilación y manta aislante)
REFSBSINT60	600/SOFIA	KIT DE UNIÓN Destinto 1 PIEZA (incluye solo banda de unión)
REFSBSPRO72	600/SOFIA	KIT DE UNIÓN SOFIA 1 PIEZA (incluye banda de unión, 72" parrilla superior de una pieza, rejilla de ventilación y manta aislante)

(no incluido - debe pedirse como accesorio a parte)

4.3 Instalación saliente con molduras de aluminio estándar



SERIE Professional Built-In:

5.1 Preinstalación de los paneles decorativos para puerta y cajones

Las dimensiones de los paneles se pueden consultar en la tabla y los dibujos incluidos a continuación.

No obstante, en función de las exigencias de alineación con otros muebles de cocina, el panel de la puerta del frigorífico puede superar el borde superior de la puerta y el panel inferior, el borde inferior del cajón.

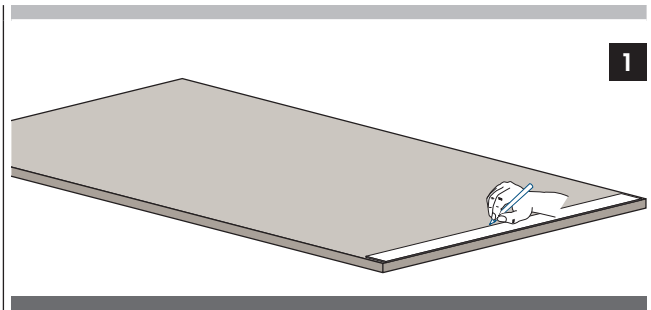
Los paneles se deben montar utilizando soportes especiales que se enganchan en los dispositivos de fijación regulables ya montados en la puerta y el cajón por medio de las escuadras que fijan y regulan el panel en sentido vertical. Los soportes, las escuadras y los tornillos específicos de fijación se suministran con el equipo y se han de aplicar en el panel siguiendo el esquema de taladro incluido en las páginas siguientes.

Realizar lo siguiente:

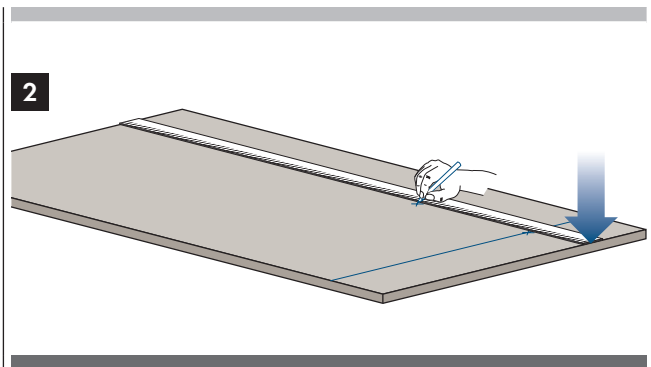
Aplicar los soportes en los paneles del siguiente modo. Se recomienda montar las escuadras antes de colocar la manilla.

Panel de la puerta

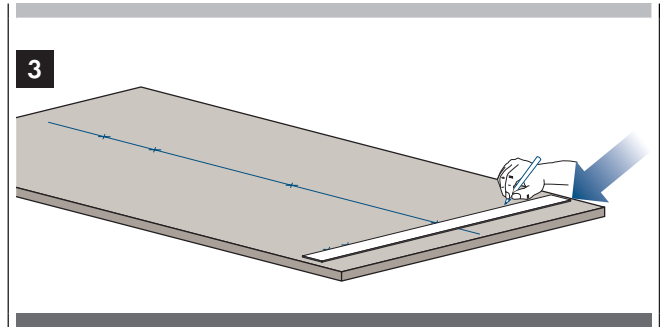
- Trazar una línea que divida en vertical el panel en dos partes iguales [ 1 ].



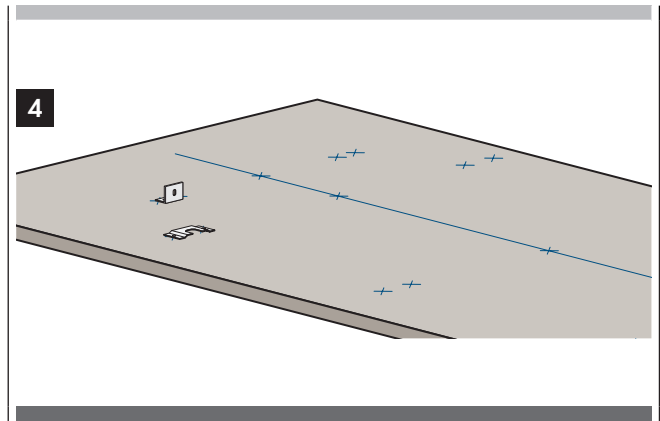
- Midiendo desde la parte inferior del panel, marcar la altura de los taladros [ 2 ].



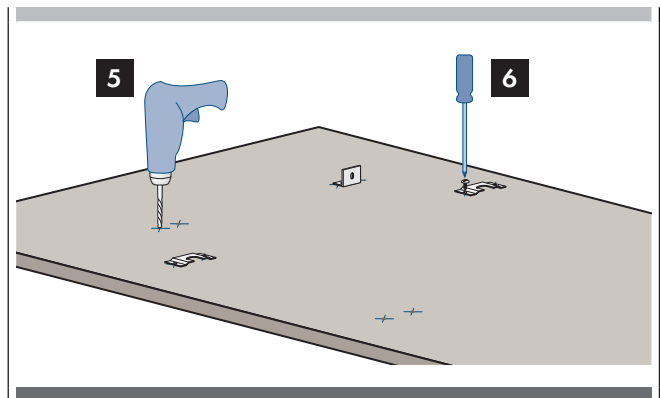
- Respetando los datos de la tabla correspondiente al modelo elegido, marcar en primer lugar el orificio exterior y después el interior [ 3 ].



- Colocar los soportes en cada marca para asegurarse de que están alineados [ 4 ], si se decide realizar pequeños orificios guía para los tornillos, prestar especial atención para no traspasar el panel completamente [ 5 ].



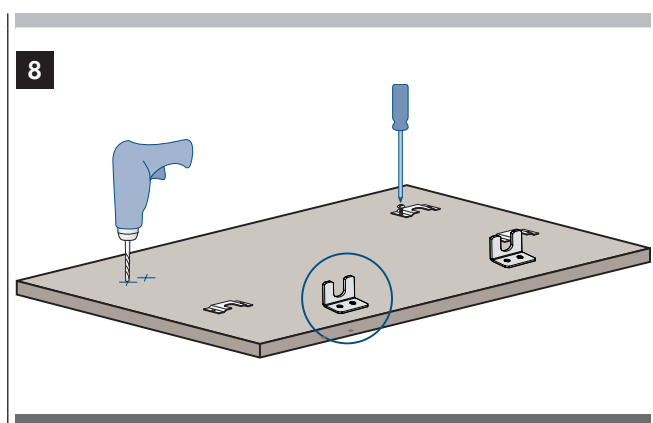
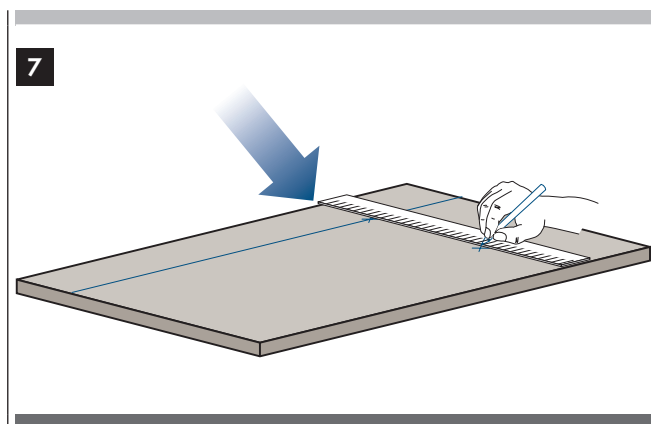
- Fijar las escuadras [ 6 ].



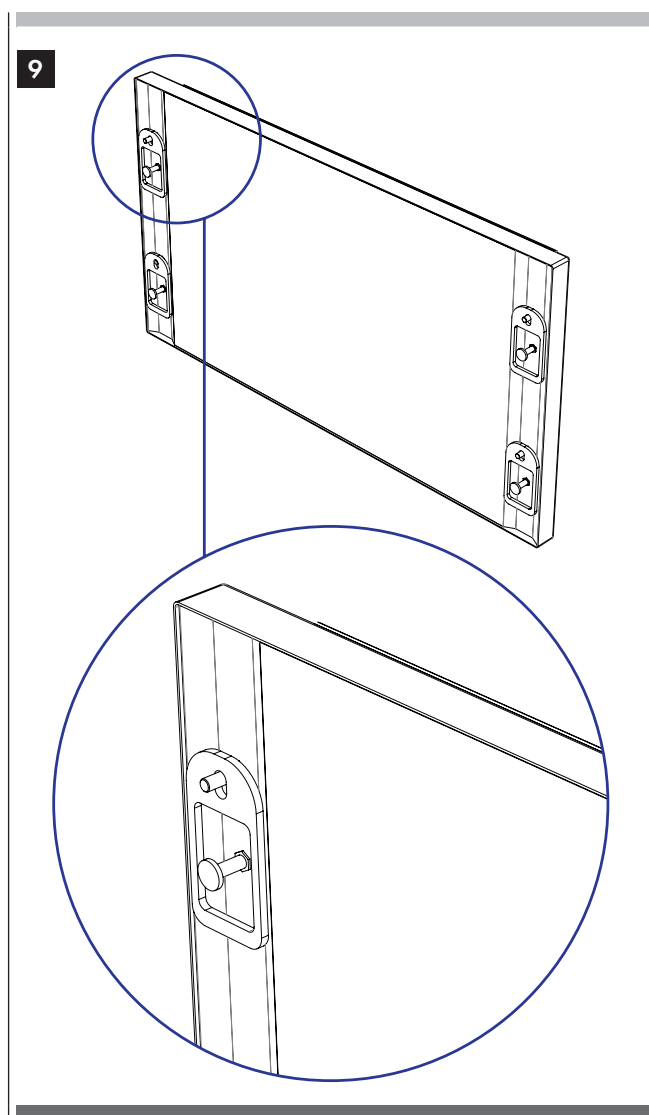
## Panel del cajón

- Para el montaje del panel del cajón, consultar las instrucciones de montaje del panel de la puerta teniendo en cuenta que las medidas se deben tomar a partir del lado alto del panel y desde el borde inferior de la puerta [7].

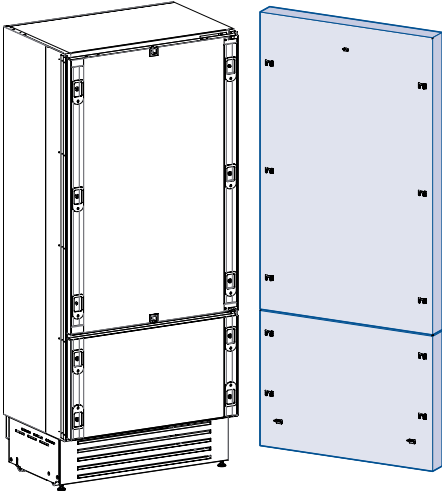
Los soportes de altura ajustable están orientados en sentido contrario [8] (observar las imágenes 4 y 8).



- Preparar la puerta del electrodoméstico (y el/los cajones, si los hubiera) para el montaje del panel enroscando los pernos de hombro en los alojamientos empotrados y los tornillos de fijación en el otro orificio [9]. Asegurarse de que el extremo con tornillo Allen está enroscado en la puerta y no en el extremo visible. Enroscarlo lo suficiente para que quede a ras con la cara de la puerta del electrodoméstico sin interferir con el panel colgante. Esto se ajustará más adelante.

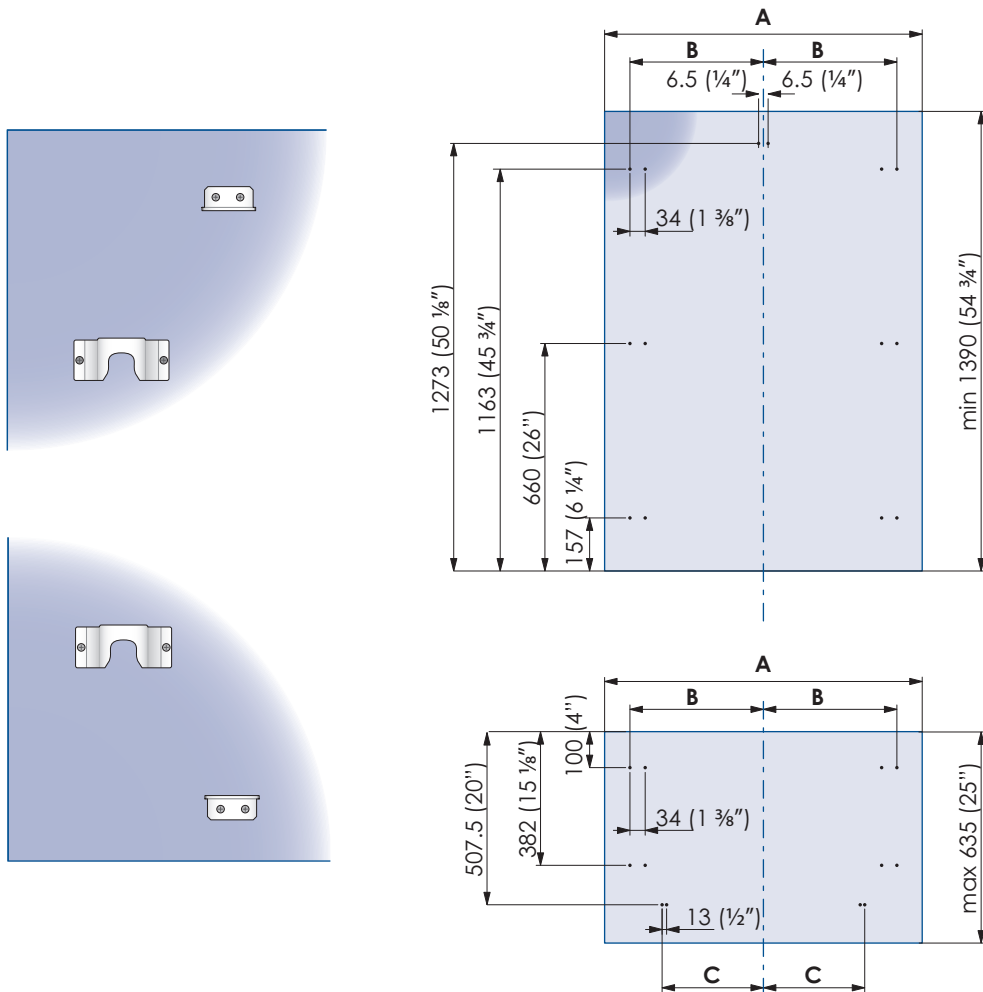


## 5.2 Preinstalación de los paneles decorativos para frigoríficos de un cajón

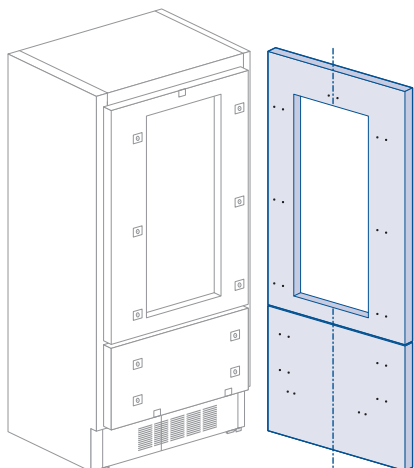


SERIE 36"	
A	897 (35 1/4")
B	417 (16 3/8")
C	354.5 (14")

### POSICIÓN DE LOS ORIFICIOS:

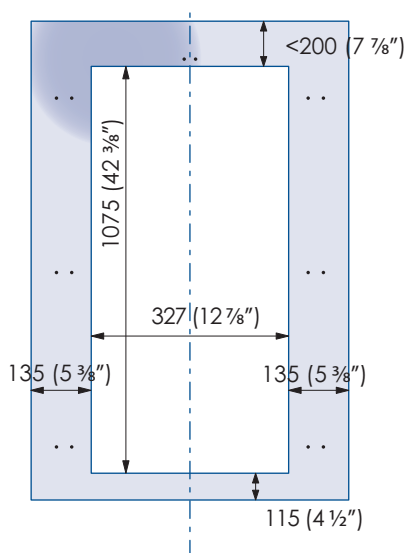


### 5.3 Preinstalación de los paneles decorativos para frigorífico con puerta de cristal y un cajón

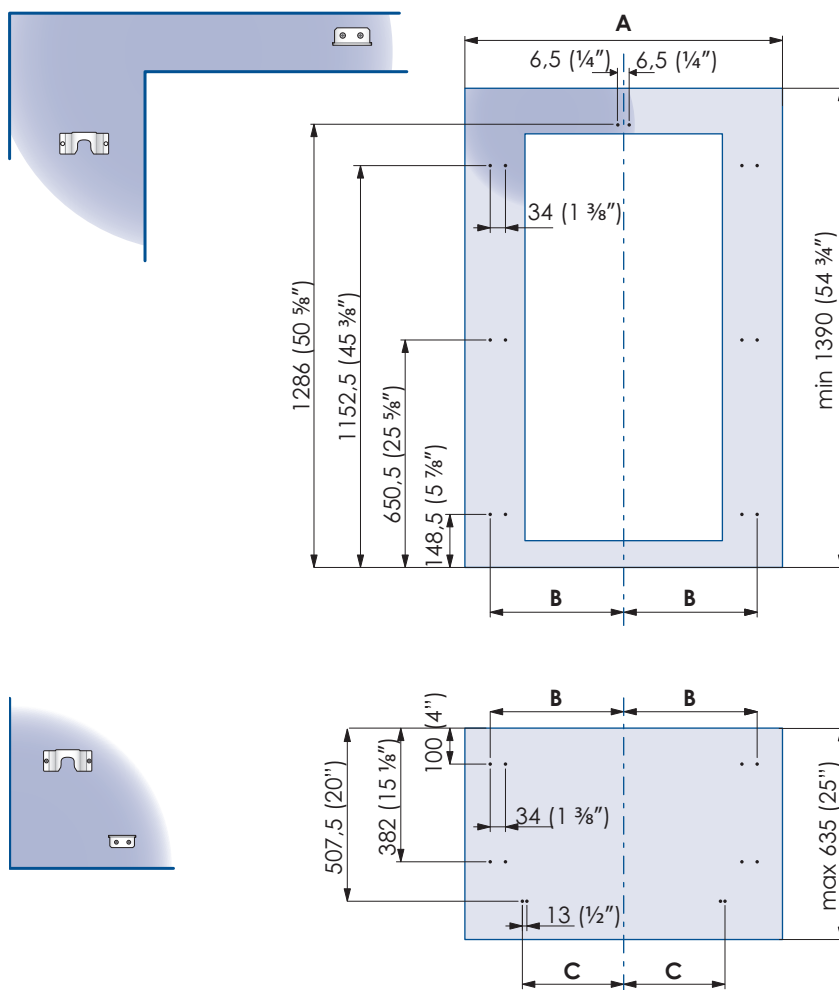


SERIE 24"	
A	597 (23 1/2")
B	276.5 (10 7/8")
C	203.5 ( 8")

#### MEDIDAS DEL ORIFICIO DE LA PUERTA:



#### POSICIÓN DE LOS ORIFICIOS:



### 5.4 Medidas de los paneles de los modelos con un cajón

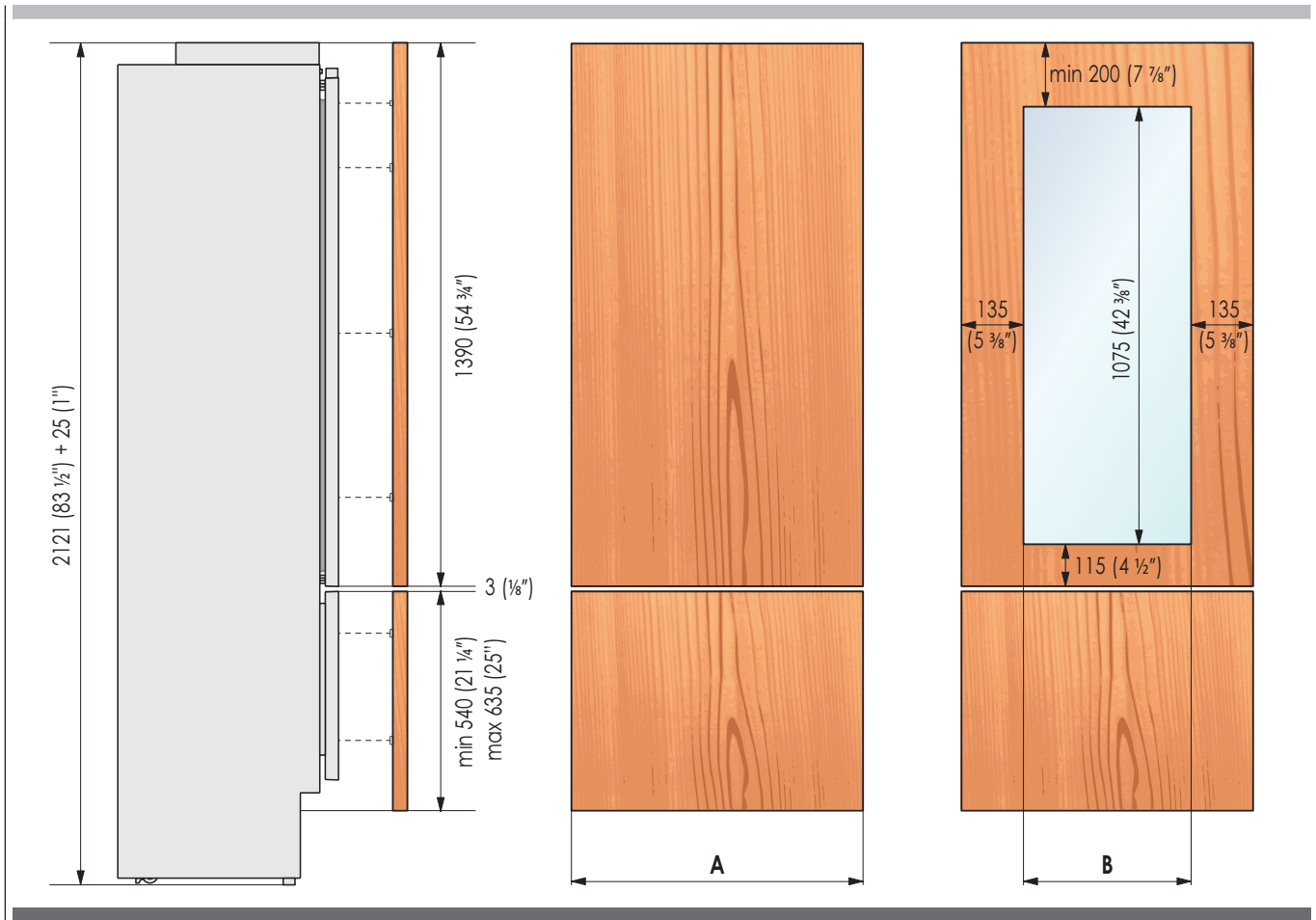
Los paneles pueden tener un espesor de entre 18 mm (3/4") y 28 mm (1-1/8").

Los paneles de la puerta pueden tener un peso máximo de 23 kg (51 libras) y los paneles de los cajones de 11kg (25 lbs). Superar estos pesos puede provocar la anulación de la garantía en caso de problemas en el funcionamiento atribuibles al sobrepeso de los paneles.

La bisagra de los electrodomésticos se considera de «cero juego». Para las anchuras de la puerta y del cajón especificadas a continuación se considera que se está

utilizando el ancho mínimo y que se desea contar con una jamba de 3,5 mm (1/8 ") alrededor de los paneles. Ajuste las dimensiones de su panel según sus propios criterios de diseño, considerando la anchura del nicho y de la jamba. La jamba /separación mínima no debería ser inferior a 1,5 mm (1/16").

SERIE	ANCHURA PUERTA/ CAJÓN	ANCHURA DE CORTE DE LA PUERTA
36"	897 (35 1/4")	
24"	597 (23 1/2")	327 (12 7/8")



**Ejemplo:**

- 84" altura del nicho
- 36" anchura del nicho
- 4" altura del zócalo
- 1/8" separación deseada alrededor

**Panel de la puerta:**

- Anchura: 35-3/4"
- Altura: 54-3/4"

**Panel del cajón:**

- Anchura: 35-3/4"
- Altura:  $84 - 1/8 - 54 - 3/4 - 1/8 - 4 = 25$

Si desea una altura de zócalo de 6 ", la altura del panel del cajón inferior deberá ser de 23"



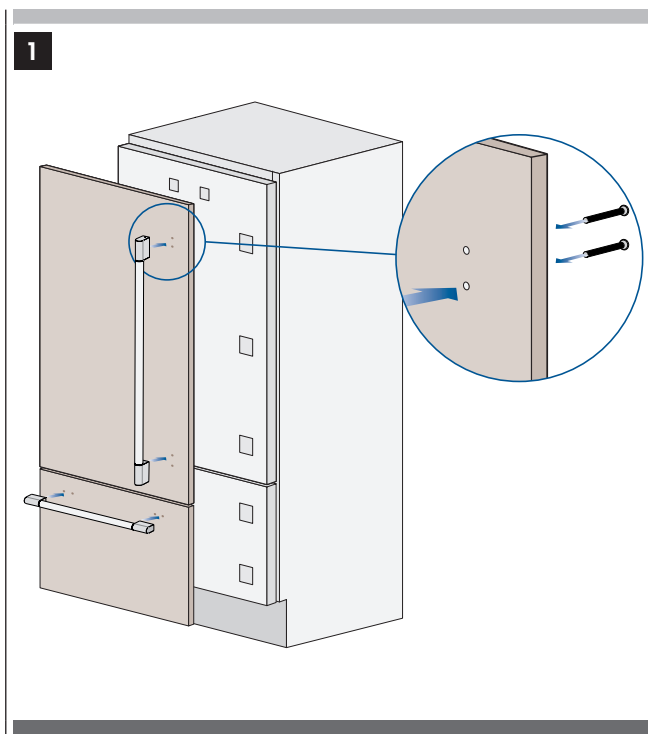
## 5.5 Montaje de las manillas

**NOTA**

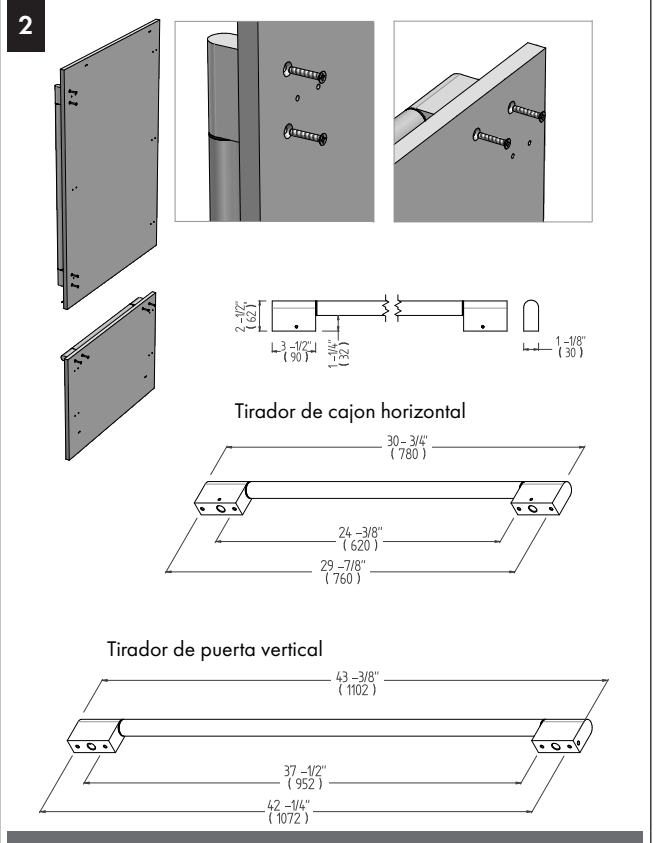
Las manillas se deben montar en los paneles decorativos de la puerta y el cajón antes de fijar los paneles al frigorífico.

**Realizar lo siguiente:**

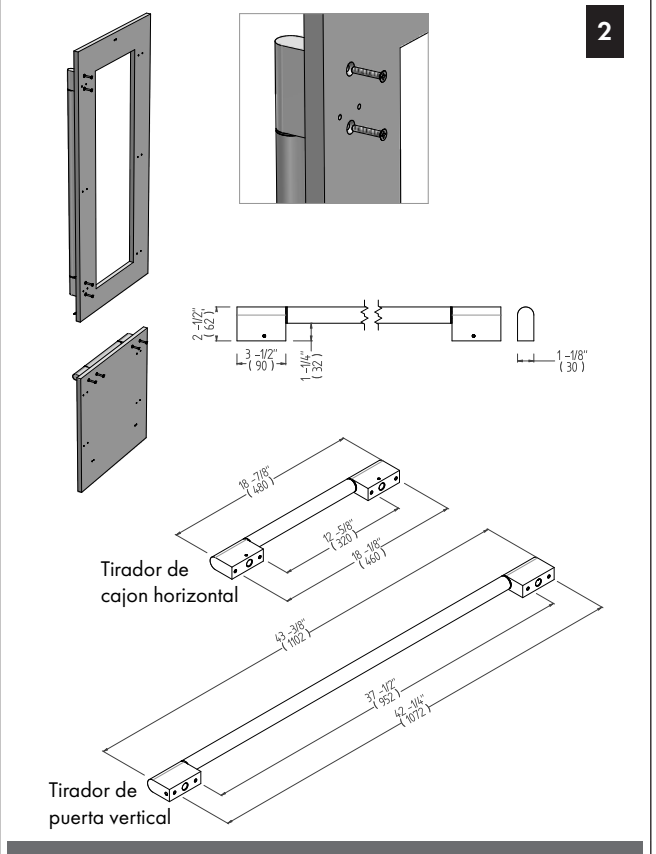
- Realizar dos orificios en la parte posterior de los paneles según se indica en la tabla de abajo [ 1 ].
- En función del estilo del panel, puede que resulte necesario crear sedes cónicas avellanadas para las cabezas de los tornillos



### Preinstalación de los paneles decorativos para frigoríficos de un cajón



### Preinstalación de los paneles decorativos para frigorífico con puerta de cristal y un cajón



- Colocar la manilla en la parte superior de los orificios e introducir los tornillos, a través del panel, en los alojamientos roscados del asa [ 2 ].
- Ajustar firmemente, pero no apretar demasiado, ya que se podría dañar el asa o el panel

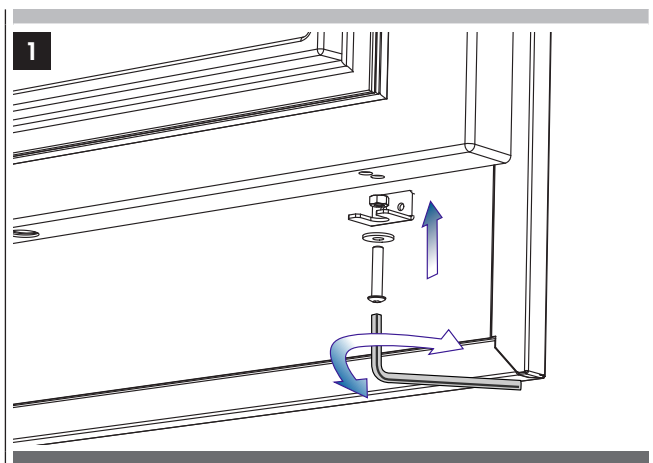
## 5.6 Fijación de los paneles a la puerta y al cajón

### NOTA

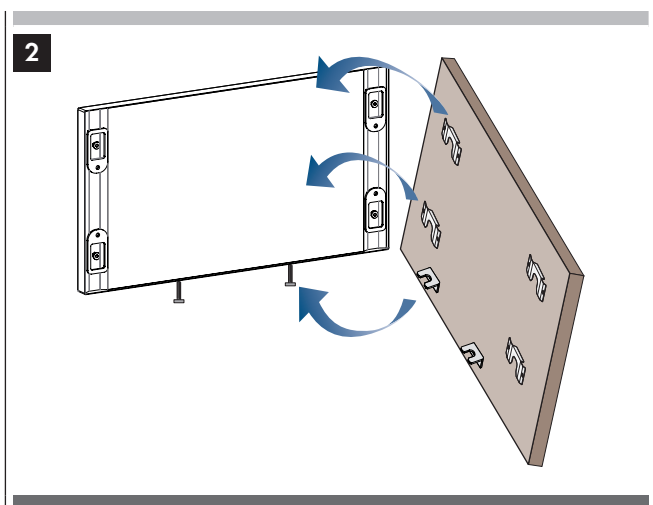
Una vez aplicados los soportes y las escuadras a los paneles, iniciar la instalación del cajón inferior.

### Realizar lo siguiente:

- Apretar parcialmente los tornillos inferiores a los dispositivos de fijación [ 1 ].

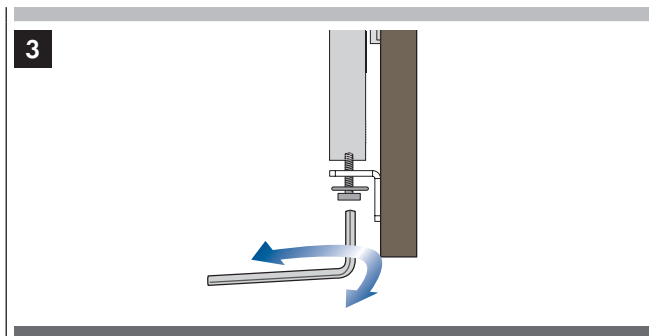


- Enganchar el panel al cajón empezando por las escuadras de regulación inferior [ 2 ].

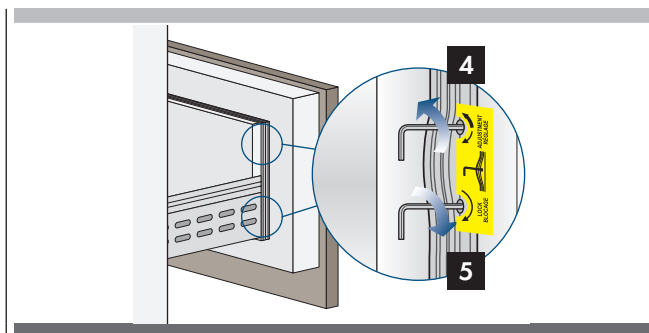


- Ahora es posible regular la alineación del panel con respecto a los muebles adosados por medio de los soportes y las escuadras de alineación [ 3 ] apretando o aflojando los tornillos del soporte. Sin apretar a fondo el tornillo, desplazar hacia la derecha o hacia la izquierda el panel para centrarlo con el panel de la puerta y los muebles de la cocina.

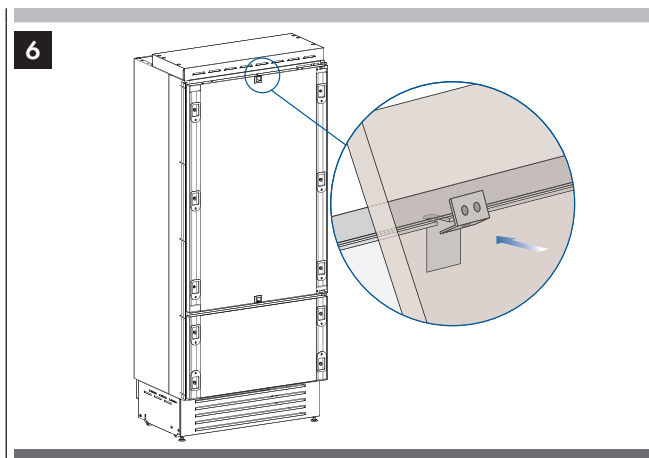
Ajustar los pernos de ajuste inferiores utilizando la tuerca de seguridad una vez que se haya obtenido la alineación deseada en altura.



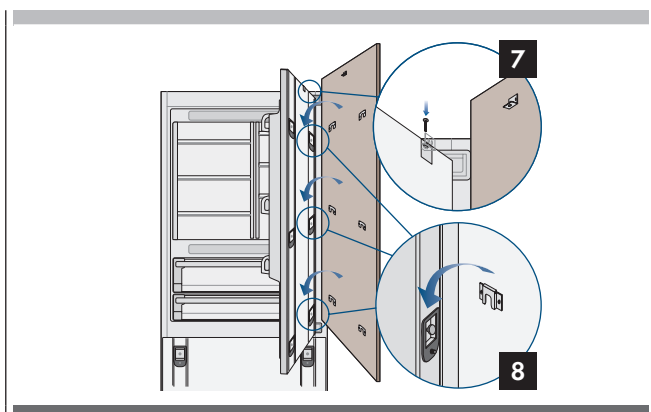
- Alineación de profundidad: trabajando desde el interior del cajón, después de levantar el sello magnético, ajustar la posición del panel en dirección Z ajustando los pernos de hombro y los tornillos de fijación entre sí con una llave Allen de 4 mm, para bloquear cada posición de montaje en su lugar [ 4 & 5 ].



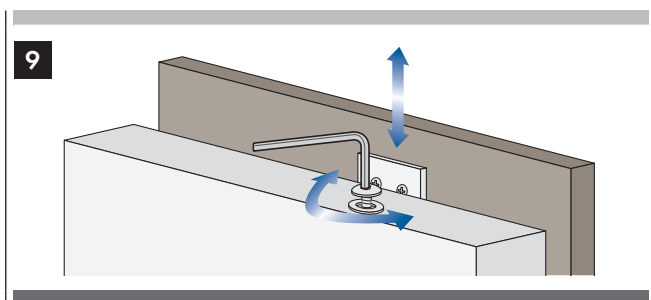
- Enganchar el panel a los dispositivos de fijación introduciendo en primer lugar las escuadras de alineación superiores [ 6 ].



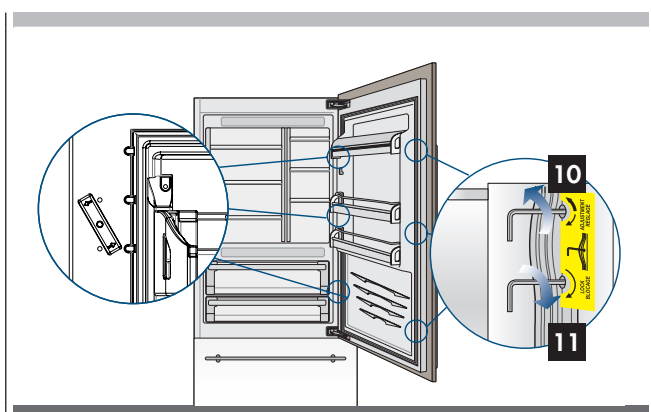
- Ahora es posible regular la alineación del panel con respecto a los muebles adosados por medio de los soportes y las escuadras de alineación [ 7 ] y [ 8 ].



- Alineación vertical: apretando o aflojando el tornillo del soporte, subir o bajar el panel [ 9 ].



- Alineación de profundidad: trabajando desde el interior de la puerta, después de levantar el sello magnético del lado de la manilla y girando las tapas de plástico del lado de la bisagra, ajustar la posición del panel en dirección Z ajustando los pernos de hombro y los tornillos de fijación entre sí, para bloquear cada posición de montaje en su lugar. [ 10 & 11 ].



#### NOTA

Una vez ajustado el panel, comprobar que la junta esté colocada correctamente en su alojamiento para evitar anomalías de funcionamiento en el equipo.

**!** IMPORTANTE

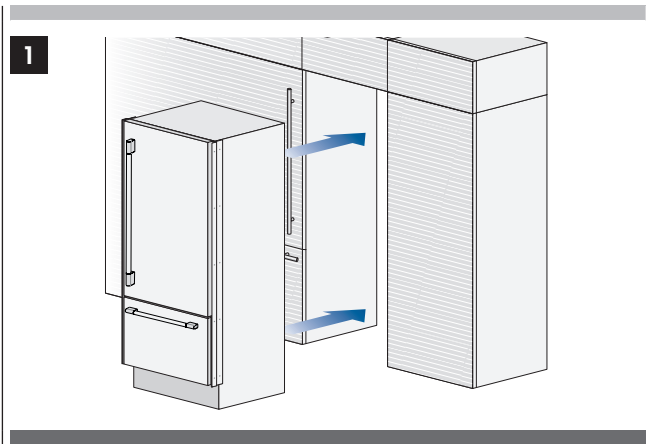
Las siguientes instrucciones de instalación se aplican a todos los modelos.

**6.1 Huevo de equipo sencillo**

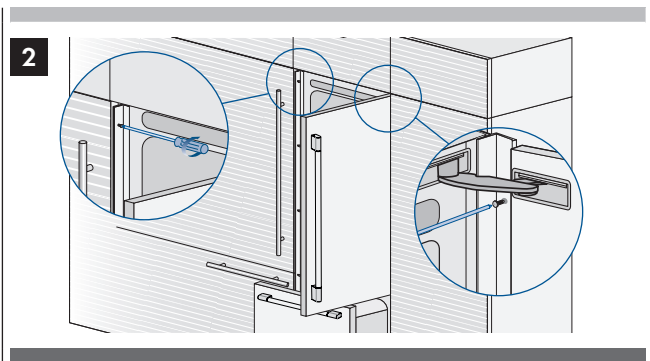
Se pueden utilizar perfiles de aluminio para cubrir los huecos entre el equipo y los muebles u otros equipos adosados.

**Realizar lo siguiente:**

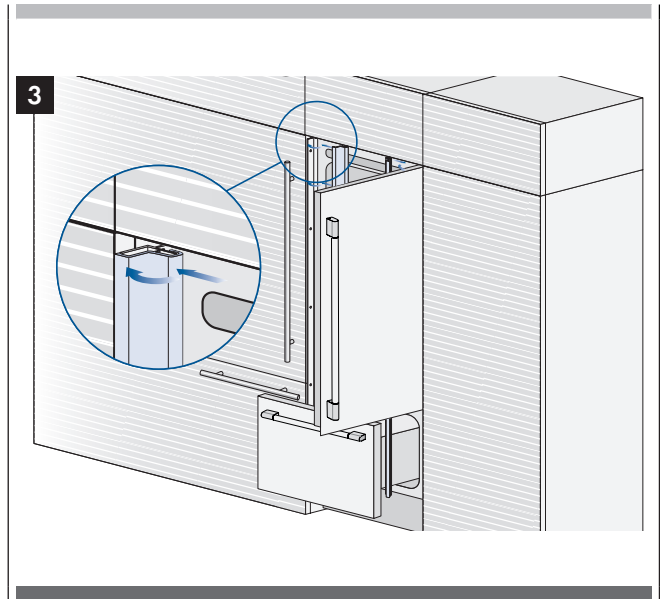
- Introducir el equipo en el hueco de instalación [ 1 ].



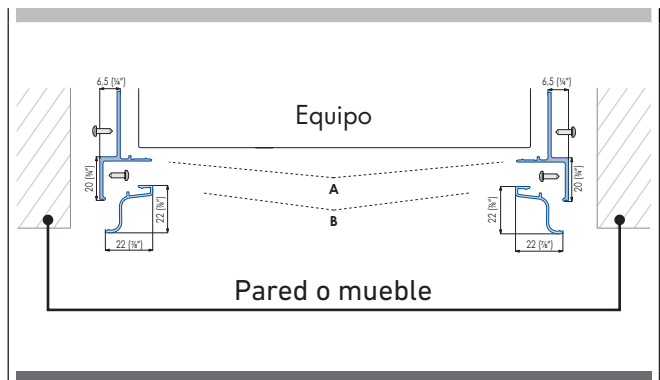
- Si el equipo se debe introducir en un hueco cerrado por la parte superior, se deberá instalar una chimenea de ventilación con salida al exterior y los paneles decorativos de la puerta y los cajones se deberán montar antes de introducir el equipo en el hueco de instalación.
- Comprobar que los pies y las ruedas traseras estén niveladas antes de encastrar el equipo.
- Para realizar esta operación con facilidad, mantener la puerta y los cajones abiertos.
- Fijar el equipo a los muebles adosados atornillando en ellos los dos perfiles laterales ya montados en el equipo [ 2 ].



- Montar los marcos de revestimiento en los perfiles, introduciéndolos por el lateral [ 3 ] y presionando con fuerza hasta que encajen.



**Esquema de montaje de los perfiles laterales:**



- A - Marco de conexión del perfil (no se incluyen los tornillos de fijación al mueble) alternativamente C Perfil de unión lateral en plástico
- B - Marco de revestimiento del perfil

## 6.2 Encastre combinado

### Accesorios necesarios que se han de pedir aparte:

- Kit de unión central (KCC)

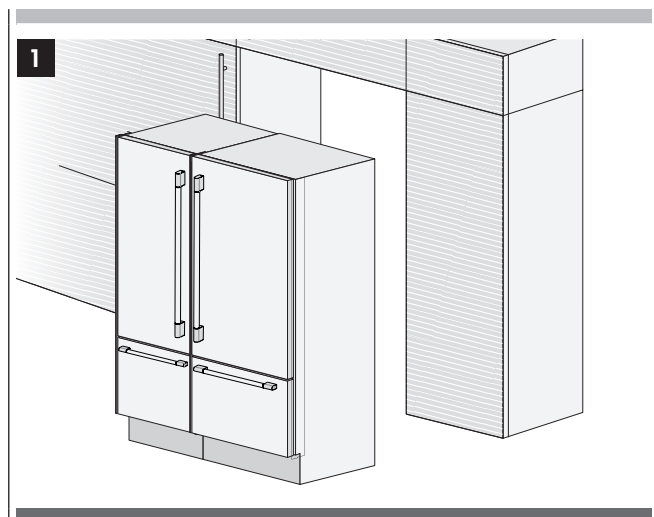
<b>REFSBSPRO60</b>	600/SOFIA	KIT DE UNIÓN SOFIA 1 PIEZA (incluye banda de unión, 60" parrilla superior de una pieza. & rejilla de ventilación y manta aislante)
<b>REFSBSINT60</b>	600/SOFIA	KIT DE UNIÓN Destinto 1 PIEZA (incluye solo banda de unión)
<b>REFSBSPRO72</b>	600/SOFIA	KIT DE UNIÓN SOFIA 1 PIEZA (incluye banda de unión, 72" parrilla superior de una pieza, rejilla de ventilación y manta aislante)

#### NOTA

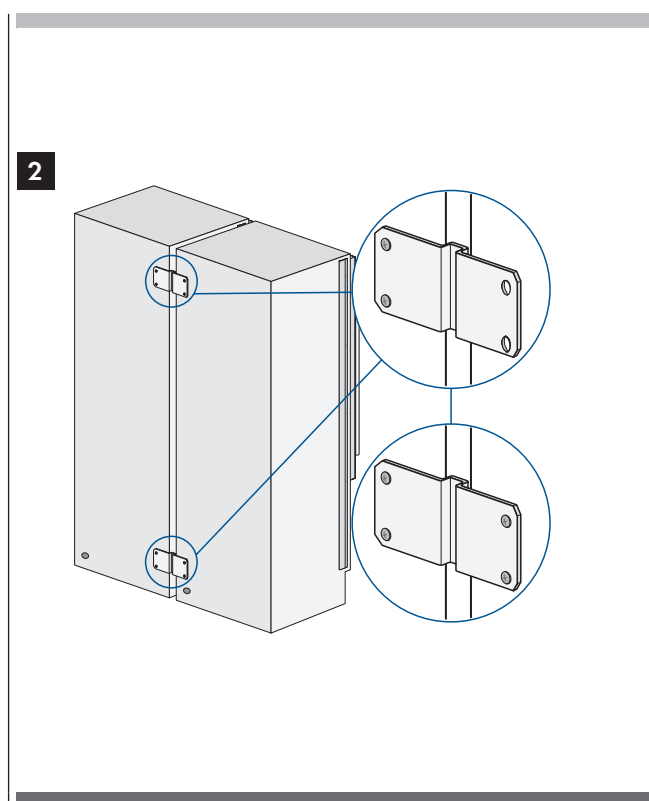
Se pueden utilizar perfiles de aluminio para cubrir los huecos entre el equipo y los muebles u otros equipos adosados.

### Realizar lo siguiente:

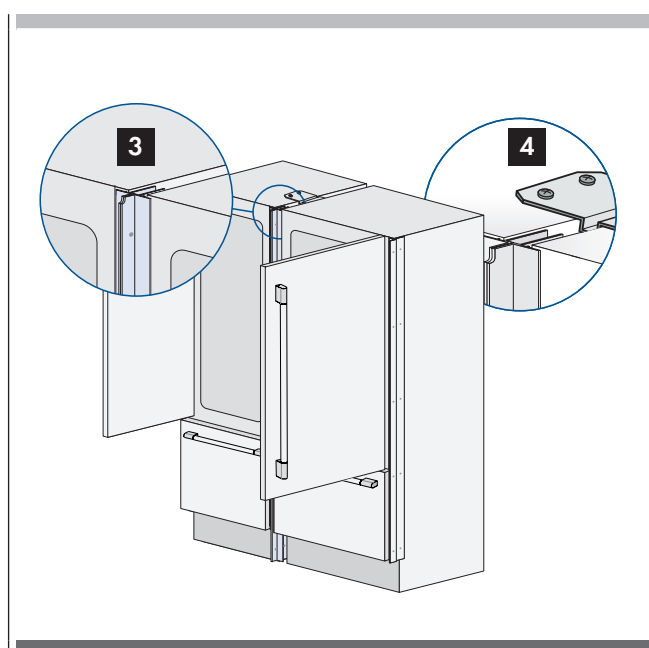
- Colocar los equipos delante del compartimento [ 1 ] dejando espacio suficiente para trabajar en la parte de atrás de los equipos.



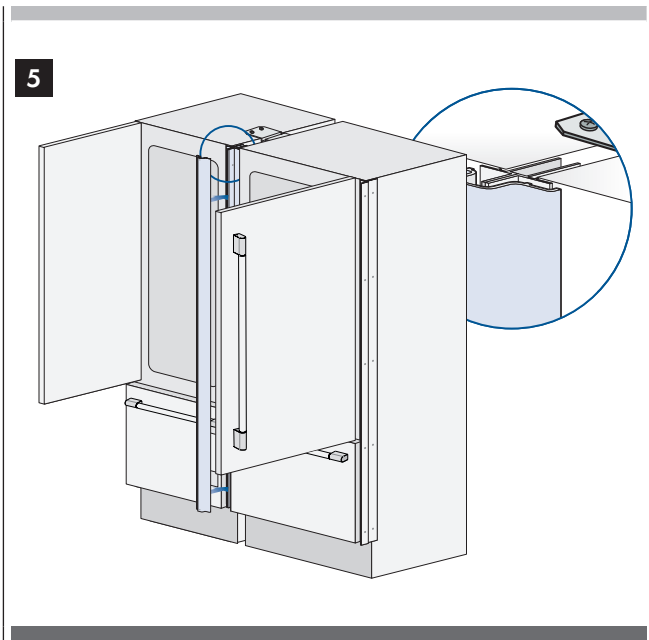
- Situar en la parte de atrás del equipo para montar las escuadras de unión.  
Fijar un lado de las escuadras superior e inferior primero en uno de los equipos y luego en el otro [ 2 ].



- A continuación, unirlos en la parte delantera fijando los dos perfiles con los tornillos o remaches suministrados [ 3 ]. Colocar el soporte en la parte superior de las unidades (si corresponde) como se muestra en la figura [ 4 ].



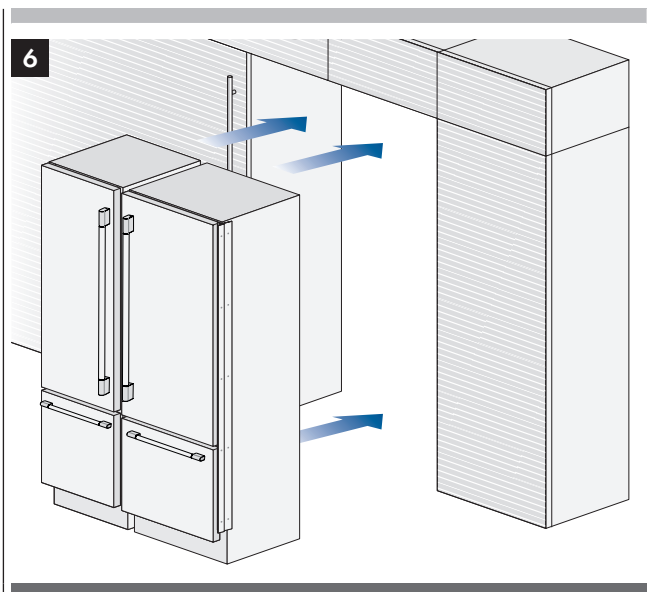
- Por último, montar el marco de revestimiento central presionando hasta que encaje [ 5 ].



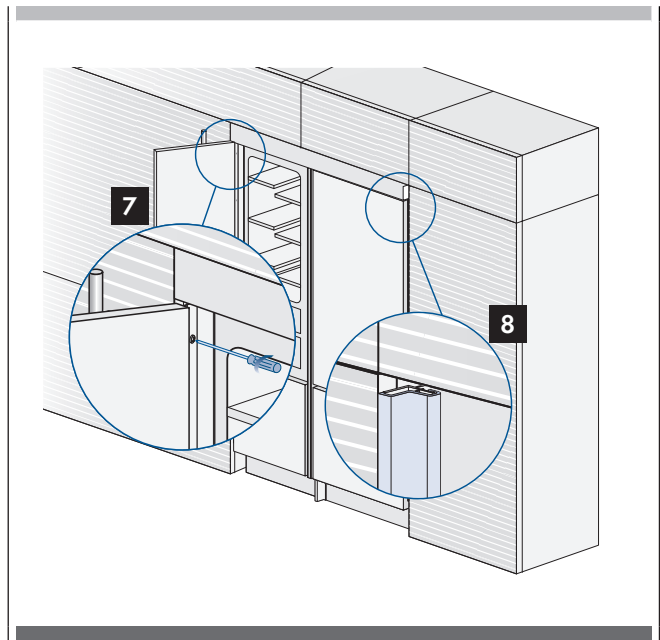
- Introducir los equipos unidos en el hueco de instalación [ 6 ].

Si el equipo se debe introducir en un hueco cerrado por la parte superior, se deberá instalar una chimenea de ventilación con salida al exterior de unos 20 mm y los paneles decorativos de la puerta y los cajones se deberán montar antes de introducir el equipo en el hueco de instalación.

- Comprobar que los pies y las ruedas traseras estén nivelados antes de encastrar el equipo.
- Fijar cada uno de los equipos a los muebles adosados atornillando en ellos los dos perfiles laterales [ 7 ] ya montados en los equipos.  
Para realizar esta operación con facilidad, mantener la puerta y los cajones abiertos.



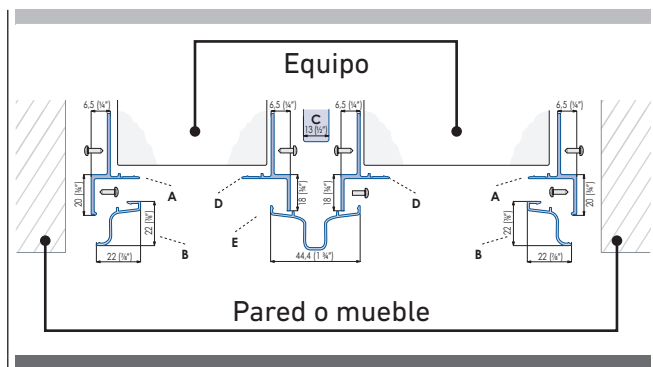
- Montar los marcos de revestimientos [ 8 ] en los perfiles, introduciéndolos por el lateral y presionando con fuerza hasta que encajen con un clic (como el equipo sencillo).



### !!! ATENCIÓN

Prestar atención ya que los electrodomésticos tienen mayor peso en la parte frontal y pueden volcar antes de haber asegurado los muebles adyacentes.

### Esquema de montaje de los perfiles laterales:



- A - Marco de conexión del perfil (no se incluyen los tornillos de fijación al mueble)
- B - Marco de revestimiento del perfil
- C - Perfil de unión lateral en plástico
- D - Perfil de unión central
- E - Marco de revestimiento central

#### NOTA

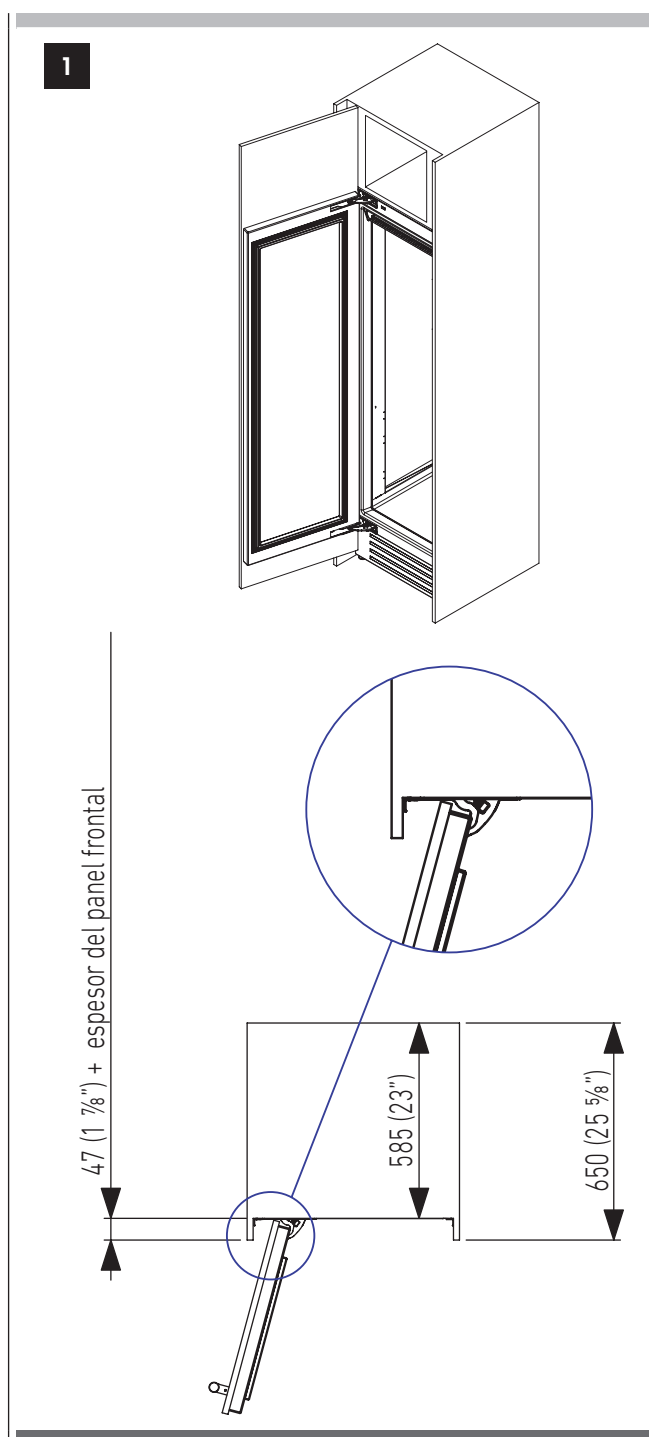
En cualquier caso, si se instala en un hueco cuya anchura supera la indicada en este manual, los embellecedores/marcos de perfil lateral se pueden quitar, ajustar y volver a unir para ampliar la anchura del aparato haciéndola coincidir con la anchura del hueco, permitiendo así un instalación de aspecto perfecto y sin ranuras. Es importante tener en cuenta esta condición al realizar paneles integrados para una apertura más ancha a fin de garantizar la separación/jamba alrededor de los paneles.

### 6.3 Profundidad máxima del bastidor sobre frigorífico "Integrado" con "hoja única"

Es posible que en el diseño de la cocina y, en especial, el hueco de introducción del frigorífico "Integrado" esté previsto un mueble sobre el frigorífico que se ha de cerrar con el mismo panel de la puerta del frigorífico.

**En este caso, la profundidad total del mueble sin la hoja (sobre el frigorífico) no debe superar la profundidad total del frigorífico [ 1 ].**

De esta forma, el panel fijado en la puerta del frigorífico se podrá abrir sin interferir durante la rotación a 105°.



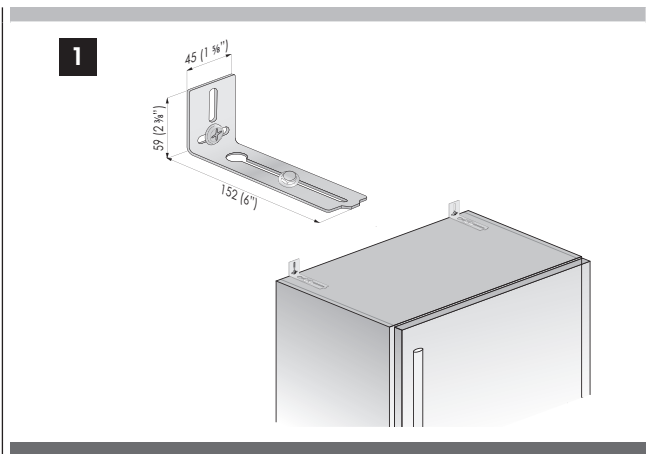
### 7.1 Montaje del dispositivo de seguridad antivuelco

**NOTA**

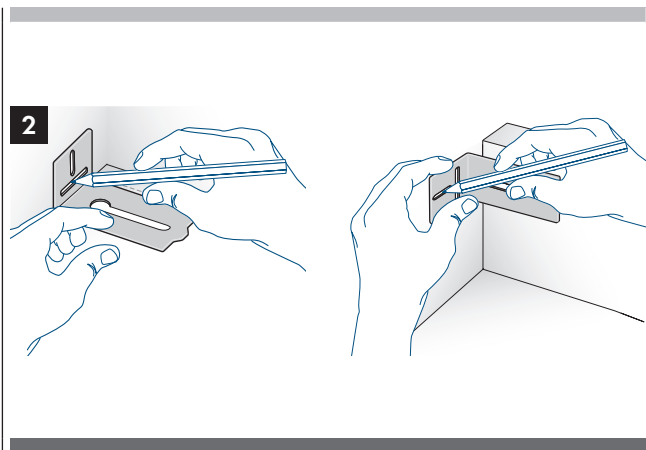
Si el/los aparatos no están conectados a través de los marcos laterales del perfil a los muebles adosados, instalar los soportes antivuelco para asegurarse de que el producto no caiga hacia adelante durante el uso provocando daños o lesiones. Si no se asegura el/los aparato/s correctamente, toda garantía por lo que se refiere a posibles daños provocados por vuelco quedará anulada.

**Realizar lo siguiente:**

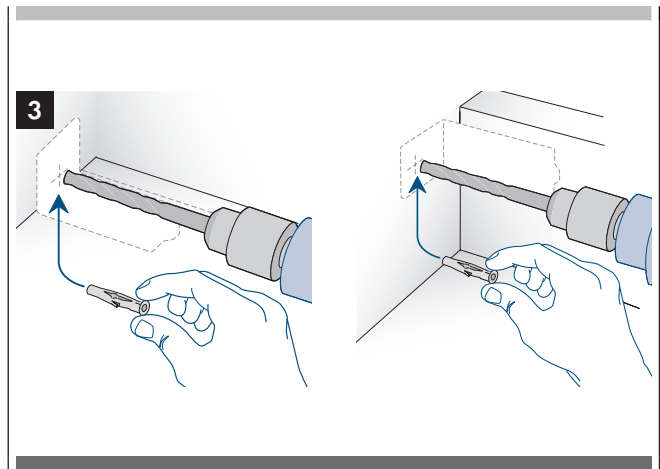
- Los soportes deben aplicarse, utilizando los tornillos provistos, tal y como se muestra en la imagen. Si se usan los soportes antivuelco, estos deben fijarse a armazones de madera o concreto, los paneles de yeso no sostiene el peso del electrodoméstico. Colocar un soporte en la parte superior del electrodoméstico en correspondencia con los orificios de fijación y contra la pared [ 1 ].



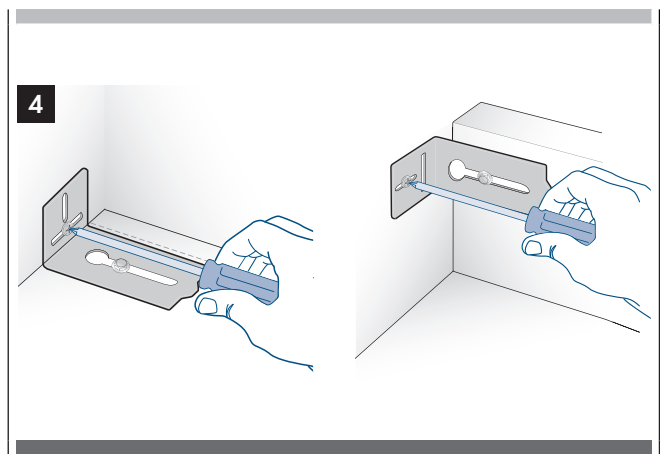
- Marcar la posición de los orificios con el lápiz [ 2 ]



- Taladrar la pared con una broca de 8 mm (3/8") e introducir el taco de expansión [ 3 ].



- Colocar la escuadra y fijarla primero a la parte superior del frigorífico y luego a la pared [ 4 ].



**NOTA**

Para utilizar los soportes antivuelco en los modelos con compresor superior, será necesario retirar temporalmente la parte superior/protección metálica para acceder a los puntos de empernado de los soportes.



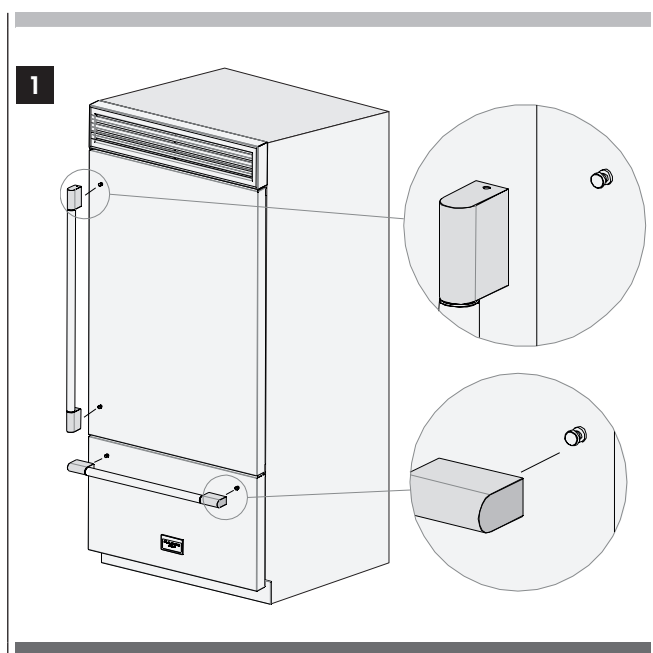
## 7.2 Montaje de las manillas en frontales de acero inoxidable

### NOTE

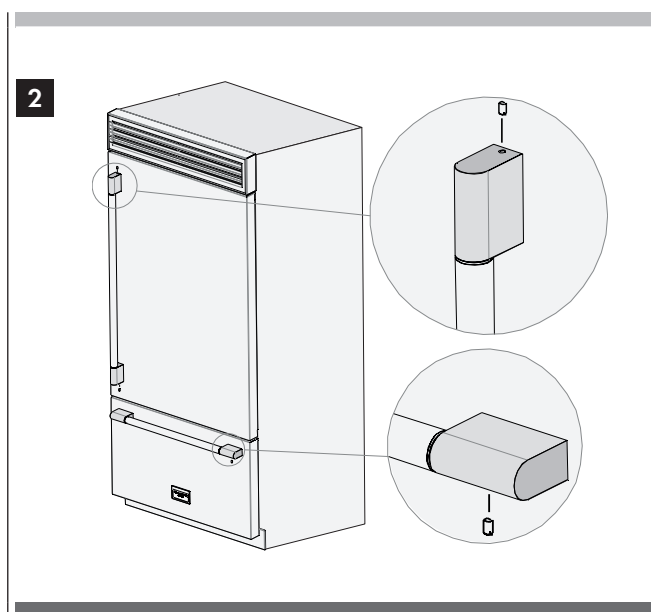
Para fijar las manillas a la puerta y al cajón, realizar lo ilustrado.

### Realizar lo siguiente:

- Introducir los separadores de la manilla en los dos pernos de la puerta y del cajón [ 1 ].



- Apretar los tornillos Allen de la manilla [ 2 ].

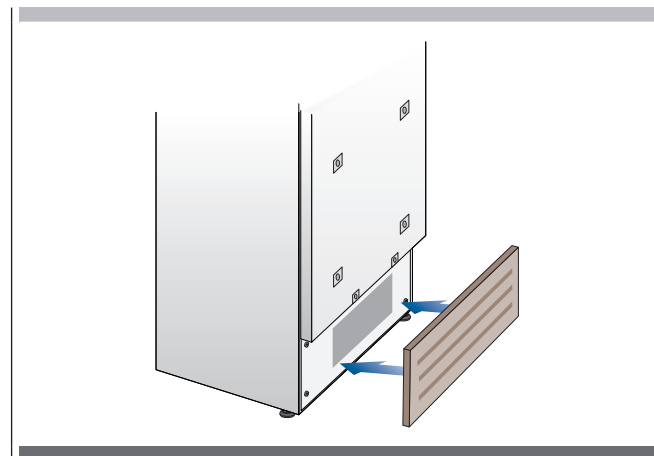


Los tornillos de fijación se han de apretar a fondo utilizando una llave Allen de 2,5 mm (1/8").

## 7.3 Ventilación

### SERIES Professional Built-In:

La ventilación está garantizada por un sistema de aire forzado a través de una rejilla que está situada en la parte baja del equipo. En las configuraciones con zócalo frontal, es necesario prever una apertura para garantizar la ventilación del equipo como muestra la figura.



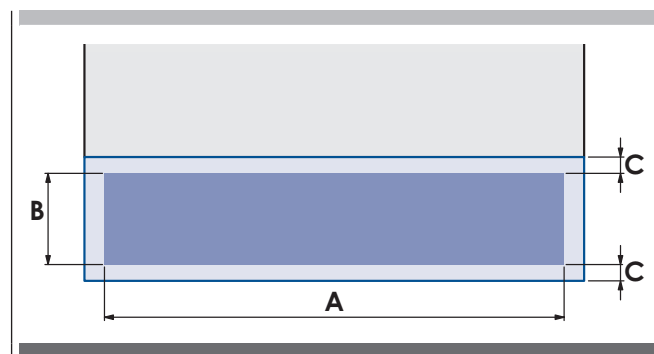
El tipo de orificio del zócalo frontal (por ejemplo ranuras verticales u horizontales) es a discreción pero debe garantizar una superficie abierta del 50% del total.

En este caso, se recomienda desmontar la rejilla original para mejorar aún más la ventilación.

La rejilla de ventilación está fijada con imanes al aparato y se puede desmontar fácilmente (incluso por el usuario) para controlar el condensador y limpiar el polvo que se acumula en él.

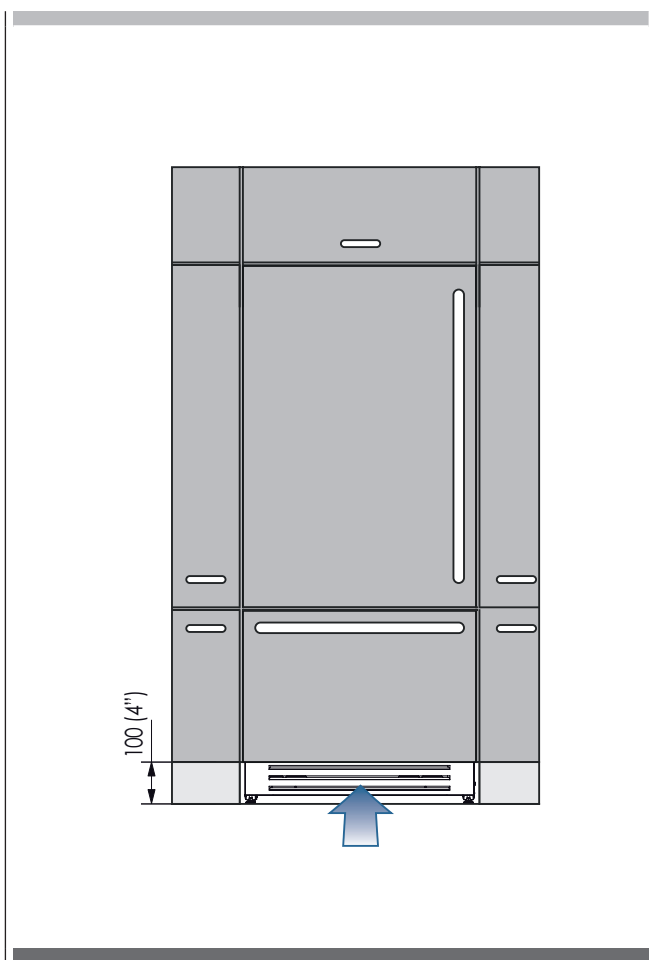
Si el zócalo de la cocina cubre parcialmente la rejilla, se recomienda desmontarla para facilitar la ventilación.

No bloquear ni cubrir la rejilla por ningún motivo. Limpiarla y eliminar el polvo con regularidad.



	SERIES 36"	SERIES 24"
A	860 (33 7/8")	560 (22")
B	> 100 (4")	
C	10 (3/8")	

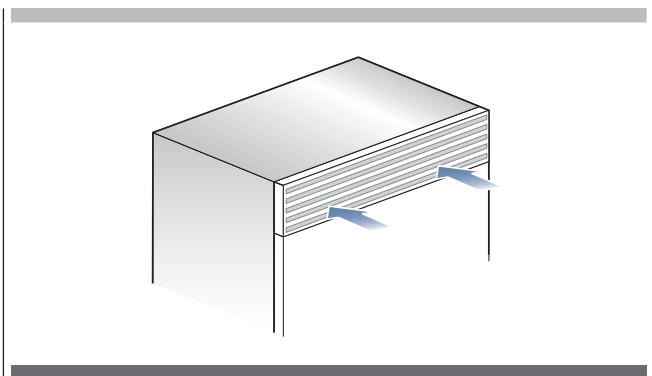
No bloquear ni cubrir la rejilla por ningún motivo. Limpiarla y eliminar el polvo con regularidad.



### SERIE Professional Series:

La ventilación está garantizada por un sistema de aire forzado a través de una rejilla que está situada en la parte alta del equipo.

Esta rejilla no se debe cubrir con los paneles ni con otros dispositivos que puedan reducir su eficacia.



## 7.4 Control final de instalación

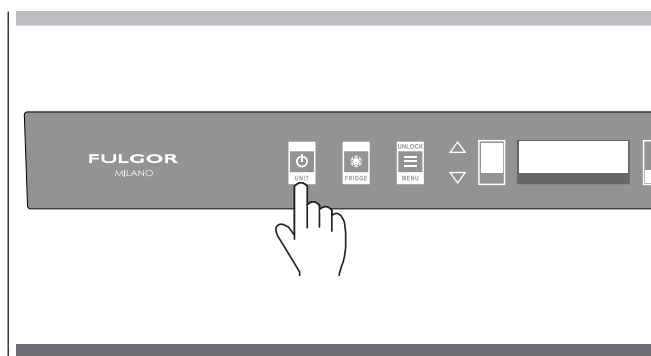
- ✓ Comprobar que los pies estén montados correctamente.
- ✓ Comprobar que la conexión a la acometida de agua no pierda y que se pueda acceder con facilidad a la llave de paso.
- ✓ Comprobar que la conexión eléctrica se haya realizado correctamente y que se pueda acceder con facilidad a la clavija y al interruptor omnipolar específico.
- ✓ Comprobar que los equipos estén alienados con los muebles adosados.
- ✓ Comprobar que se haya eliminado la cinta adhesiva y las protecciones interiores o exteriores.
- ✓ Comprobar la solidez de las puertas y el deslizamiento de los cajones y los anaqueles.


## 7.5 Puesta en funcionamiento

- Al abrir la puerta, el panel de control suele mostrar el mensaje "Stand-by" y los botones están apagados.



- Para encender el equipo, pulsar durante 3 s el botón Unit . La pantalla muestra durante 2 min el mensaje "Initial test" y, a continuación, se activan los compresores y permanecen en funcionamiento hasta que se alcanza la temperatura predefinida en fábrica. Para ello, es posible que se necesiten varias horas. Si el equipo incorpora un productor de hielo, comprobar que el cartucho del filtro de agua esté instalado y llenar el circuito hidráulico de agua antes de activarlo. Activar el productor de hielo pulsando el botón Ice Maker .
- Si el electrodoméstico incluye un productor de hielo, antes de encenderlo hay que asegurarse de que está instalado el filtro del agua (a menos que el agua llegue ya filtrada por otros medios, como por ejemplo ósmosis inversa).



- Purgar el aire de las líneas mediante la función «Manual Clean» en las opciones de Menu->Functions-> Water Filter. Es posible que se deba completar esta secuencia varias veces hasta que se deje de oír el chisporroteo del aire a través del tubo de llenado del productor de hielo. (Consulte el Manual de uso y cuidados)
- Cuando el aire del sistema esté purgado, encender el productor de hielo tocando el  el botón que se encenderá.

#### NOTA

Si el cajón Fresh Zone está configurado como compartimiento Fridge o Fresh, el productor de hielo se desactivará. El modo predeterminado para el cajón Fresh Zone es Freezer.

- Para más información sobre el funcionamiento del equipo, consultar el Manual de uso.

#### NOTA

Si al encender por primera vez el equipo no aparece el mensaje Stand-by, pero aparecen los mensajes Fridge too warm, Fresh too warm, Freezer too warm y/o se activan señales acústicas, significa que el equipo ya ha iniciado el proceso de refrigeración.

Si esto ocurre, silenciar las señales acústicas tocando el botón Alarm, cerrar la puerta y esperar a que se alcancen las temperaturas programadas.

#### IMPORTANTE

Se recomienda dejar funcionando el equipo en vacío, con la puerta y el cajón cerrados antes de introducir los alimentos.





**FULGOR**  
MILANO

— SINCE 1949 —

DOC COD.

5.000.002.0-3ED