

REFRIGERATORS

F7IRC36O1

F7SRC36S1

F7IRC30O1

F7SRC30S1

F7IRC24O1

F7SRC24S1

COMBI REFRIGERATORS

F7PBM36S1

F7IBM36S1

FREEZERS

F7IFC30O1

F7SFC30S1

F7IFC24O1

F7SFC24S1

F7IFC18O1

F7SFC18S1

WINE CELLARS

F7IWC24O1

F7SWC24S1

COMBI WINE CELLARS

F7PBW24S1

F7IBW24O1

EN INSTALLATION GUIDE

FR NOTICE D'INSTALLATION

ES GUIA DE INSTALACIÓN

1 IMPORTANT INSTRUCTIONS	4
1.1 Important safety instructions.....	4
1.2 Child safety.....	4
2 TECHNICAL REQUIREMENTS	5
2.1 Appliance features and installation requirements.....	5
2.2 Installation cutout features: panel ready column.....	6
2.3 Installation cutout features: panel ready bottom-mount freezer.....	8
2.4 Installation cutout features: cladded column.....	10
2.5 Installation cutout features: Stainless exterior Pro (European standard).....	12
2.6 Installation cutout features: Stainless exterior Pro (North American standard).....	14
3 PREPARING THE INSTALLATION	19
3.1 Transport to installation site and unpacking.....	19
3.2 Electrical and water connection.....	19
3.3 Energy: Alternatives and Home Automation.....	20
3.4 Leveling.....	21
4 CUTOUT DIMENSIONS	21
4.1 Cutout dimension for combined installation (for all models except top compressor units).....	21
5 PANELS MOUNTING	22
5.1 Overlay door panel layout.....	22
5.2 Overlay panels layout for appliance with one bottom-drawer.....	24
5.3 Overlay panels layout for appliance with glass door and one bottom drawer.....	25
5.4 Overlay panel for column.....	26
5.5 Overlay panels layout for column with glass door.....	27
5.6 Panel dimensions: single bottom drawer.....	28
5.7 Panel dimensions column models.....	29
5.8 Mounting panels to the door.....	30
5.9 Mounting panels to the drawer.....	30
5.10 Optional 1/8" panel reveal for multiple unit installation.....	30
6 INSTALLATION: BOTTOM COMPRESSOR MODELS	33
6.1 Built-in installation of single appliance.....	33
6.2 Built-in installation of two or more appliances.....	33
6.3 Maximum cabinet depth for panel ready appliance with single door panel.....	38
7 COMPLETING THE INSTALLATION	39
7.1 Anti-tipping safety assembly.....	39
7.2 Ventilation.....	40
7.3 Mounting the handles on cladded models.....	41
7.4 Post installation checklist.....	41
7.5 Start up.....	41

1.1 Important safety instructions

Symbols used in the Guide:



Note
Tips for the correct use of the appliance

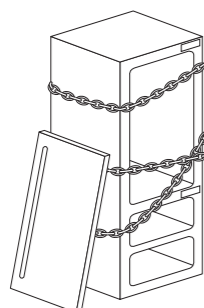


Important
Directions to avoid appliance damage



Warning
Directions to prevent injury

1.2 Child safety



DANGER: Risk of child entrapment. Before you dispose of your old refrigerator, freezer or wine cellar:

- > Remove the doors;
- > Cut the power cord of and dispose of separately;
- > Leave the shelves in place so that children may not easily climb inside.



Dimensions in parentheses are in inches.

Weights in parentheses are in pounds.

Temperatures in parentheses are in degrees Fahrenheit.

2.1 Appliance features and installation requirements

Weight with packaging	18" model up to 150 kg (331 lb) 24" model up to 170 kg (375 lb) 30" model up to 190 kg (419 lb) 36" model up to 200 kg (441 lb)
Voltage	AC 110 - 120V 60Hz
Power supply cable	90° Nema 5-15P
Dedicated circuit breaker	15A
Potable water supply pressure	from 0.05 MPa to 0.5 MPa (0.5 Bar - 5 Bar)
Water connection	3/4" NPT (1/4" elbow adapter included)
Provided installation accessories	<ul style="list-style-type: none"> - Anti tipping kit - Lateral mounting brackets (10 pieces) - Overlay panel mounting kit (if applicable) - Water connection kit (if applicable) - 4 mm (1/8") allen / hex key
Additional equipment necessary	<ul style="list-style-type: none"> - Phillips head screwdriver - wood drill - 2.5 mm (1/8") bit for wood - 8 mm (3/8") bit for walls - 10 mm (3/8") bit for walls - 17 mm (11/16") wrench - 19 mm (3/4") wrench - 13 mm (1/2") socket to adjust the rear leveling legs - 2.5 mm hex key for installing handles
Other provided accessories	- Cleaning kit

2.2 Installation cutout features: panel ready columns

A Minimum cutout height

2134 mm (84")

Cutout width

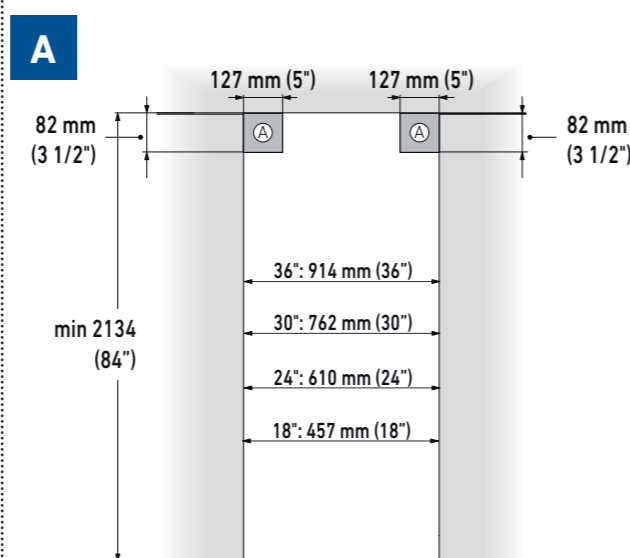
36" model: 914 mm (36")
 30" model: 762 mm (30")
 24" model: 610 mm (24")
 18" model: 457 mm (18")

Minimum cutout depth

610 mm (24") + panel thickness for flush install

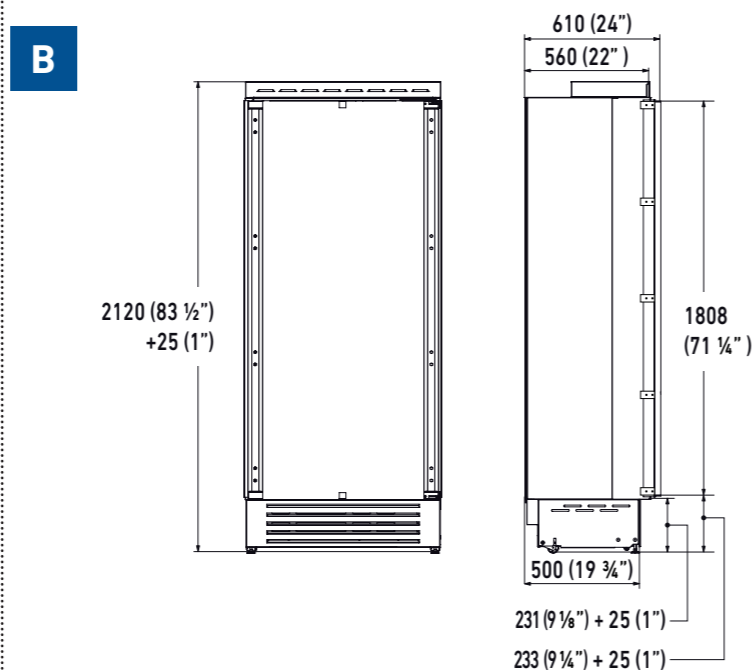
Area to be left clear for the anti-tipping brackets

127 mm (5") for both right and left sides



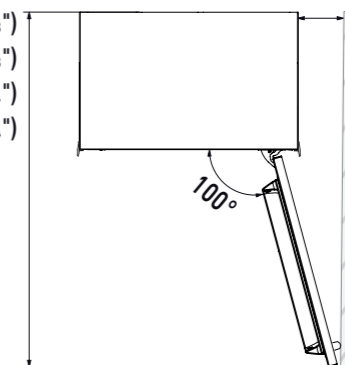
B Appliance height

2120 mm (83 1/2") + 25 mm (1")



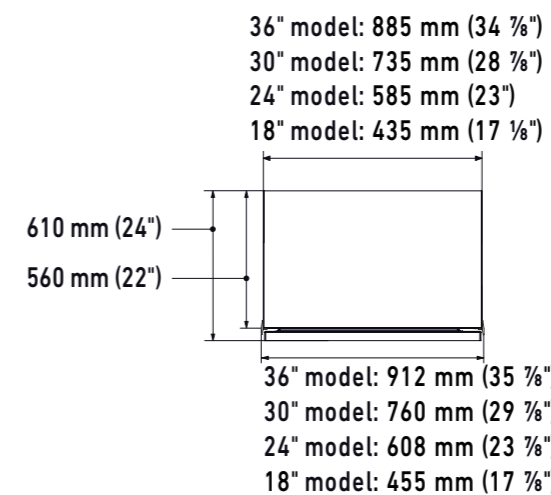
Door Swing Clearance

36" model: 1489 mm (58 5/8")
 30" model: 1338 mm (52 5/8")
 24" model: 1187 mm (46 3/4")
 18" model: 1036 mm (40 3/4")



Minimum distance from the wall (hinge side)

36" model: 158 mm (6 1/4")
 30" model: 132 mm (5 1/4")
 24" model: 108 mm (4 1/4")
 18" model: 82 mm (3 1/4")



With of appliance body.

Width of appliance with mounting brackets installed (effective width)

**2.3 Installation cutout features:
panel ready with bottom-mount freezer**

A Minimum cutout height

2134 mm (84")

Cutout width

36" model: 914 mm (36")

30" model: 762 mm (30")

24" model: 610 mm (24")

Minimum cutout depth

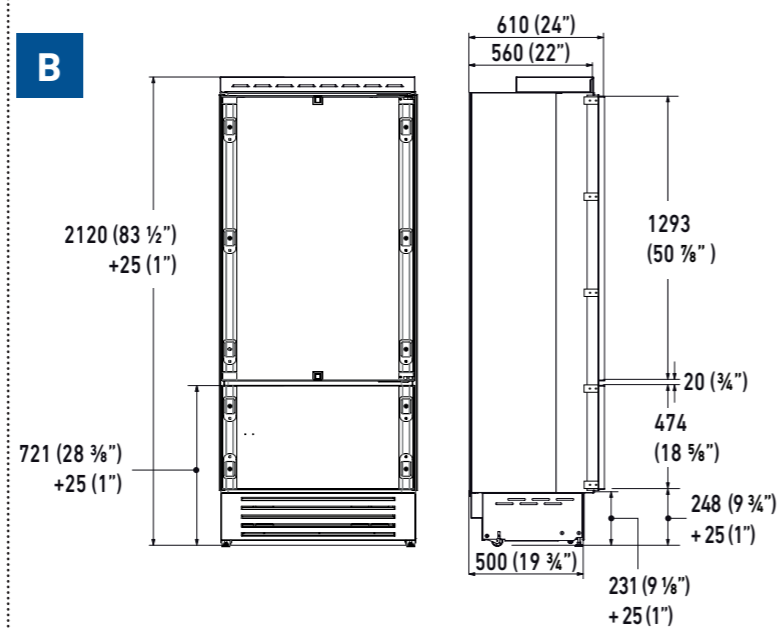
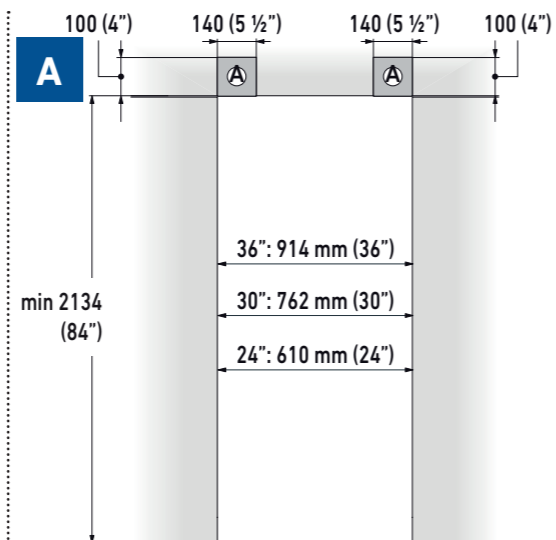
610 mm (24") + panel thickness for flush install

Area to be left clear for the anti-tipping brackets

127 mm (5") for both right and left sides

B Appliance height

2120 mm (83 1/2") + 25 mm (1")



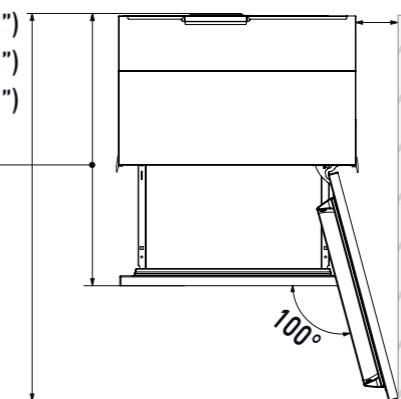
Door Swing Clearance

36" model: 1489 mm (58 5/8")

30" model: 1338 mm (52 5/8")

24" model: 1187 mm (46 3/4")

992 (39")



Minimum distance from the wall (hinge side)

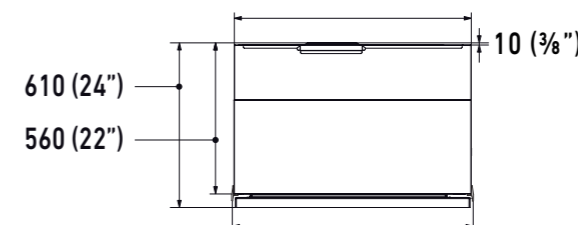
36" model: 160 mm (6 1/4")

30" model: 125 mm (5")

24" model: 90 mm (3 1/2")

! 90° door swing available using part 90STOP

36" model: 885 mm (34 7/8") 30" model: 735 mm (28 7/8") 24" model: 585 mm (23") With of appliance body.



36" model: 912 mm (35 7/8") 30" model: 760 mm (29 7/8") 24" model: 608 mm (23 7/8") Width of appliance with mounting brackets installed (effective width)

**2.4 Installation cutout features:
cladded columns**

A Minimum cutout height

2134 mm (84")

Cutout width

36" model: 914 mm (36")
 30" model: 762 mm (30")
 24" model: 610 mm (24")
 18" model: 457 mm (18")

Minimum cutout depth (for flush install)

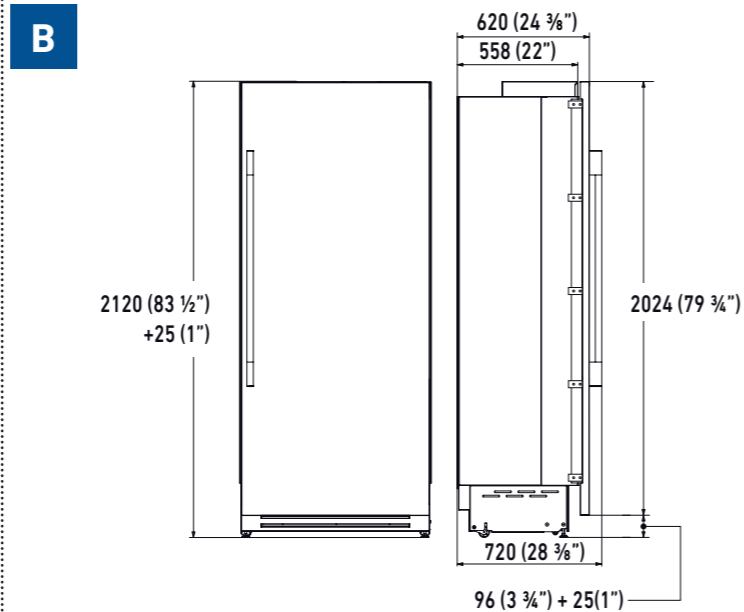
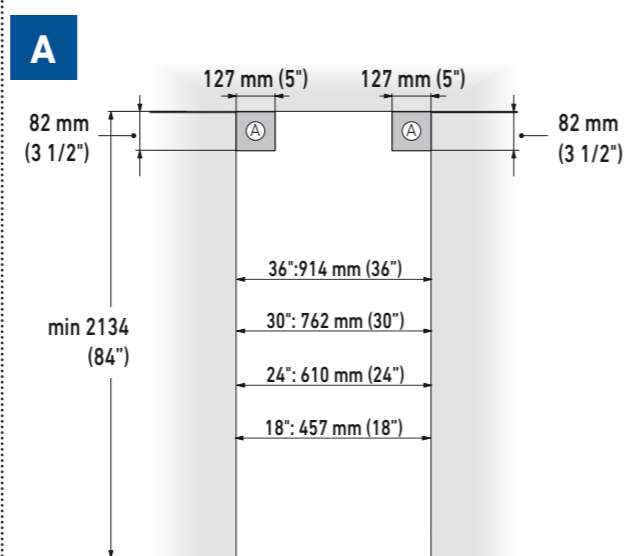
630 mm (24 3/4")

Area to be left clear for the anti-tipping brackets

127 mm (5") for both right and left sides

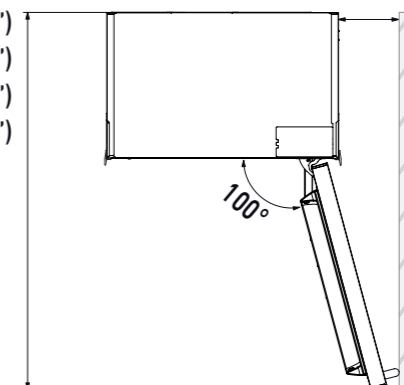
B Appliance height

2120 mm (83 1/2") + 25 mm (1")



Door Swing Clearance

36" model: 1487 mm (58 1/2")
 30" model: 1336 mm (52 5/8")
 24" model: 1185 mm (46 5/8")
 18" model: 1034 mm (40 3/4")

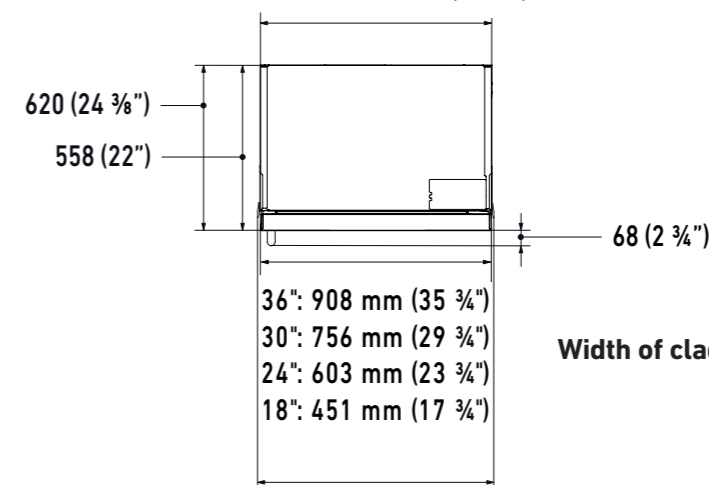


**Minimum distance from
the wall (hinge side)**

36" model: 139 mm (5 1/2")
 30" model: 103 mm (4 1/8")
 24" model: 89 mm (3 1/2")
 18" model: 63 mm (2 1/2")

! 90° door swing available
using part 90STOP

36" model: 885 mm (34 7/8") **With of appliance body.**
 30" model: 735 mm (28 7/8")
 24" model: 585 mm (23")
 18" model: 435 mm (17 1/8")



Width of cladded door

36" model: 912 mm (35 7/8") **Width of appliance with
mounting brackets installed
(effective width)**
 30" model: 760 mm (29 7/8")
 24" model: 608 mm (23 7/8")
 18" model: 455 mm (17 7/8")

2.5 Installation cutout features: Stainless exterior Pro
(North American standard cutout width)

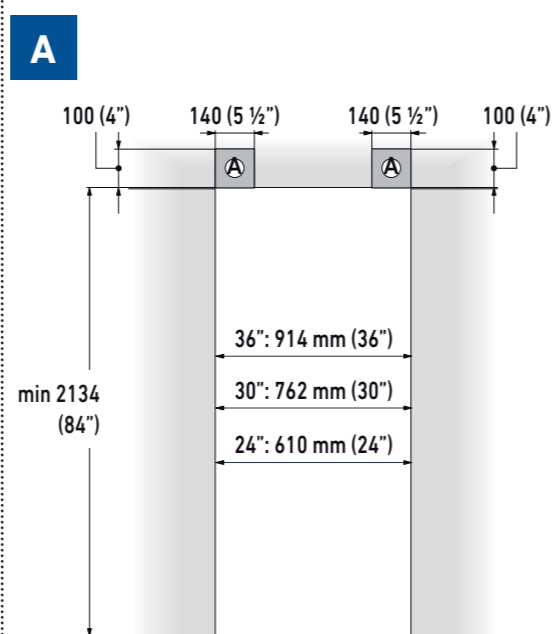
A Minimum cutout height
2134 mm (84")

Minimum cutout width
36" model: 914 mm (36")
30" model: 762 mm (30")
24" model: 610 mm (24")

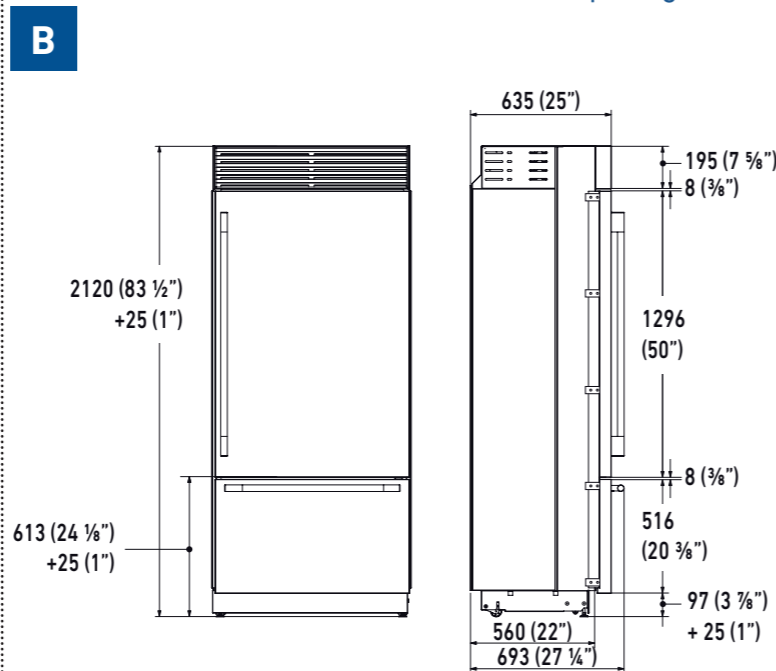
Depth with door
635 mm (25")

Area to be left clear for the anti-tipping brackets
127 mm (5") for both right and left sides

B Appliance height
2120 mm (83 1/2") + 25 mm (1")



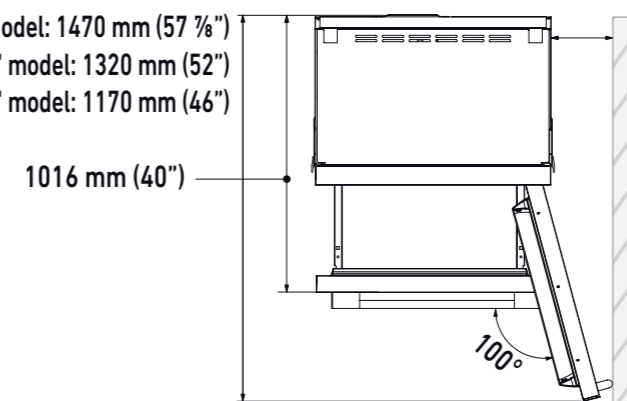
! When installing our top compressor models in a standard NA cut out it is recommended to use the J-profile trim kit to close the lateral gap of the appliance, alternatively use the standard plastic mounting clips when installing unit into Euro width cabinet. (Shown on next page) Installing in the unit in a standard North American "cutout" without the J-profile trim kit, will result in a larger gap along the cabinet opening.



Door Swing Clearance

36" model: 1470 mm (57 7/8")
30" model: 1320 mm (52")
24" model: 1170 mm (46")

1016 mm (40")



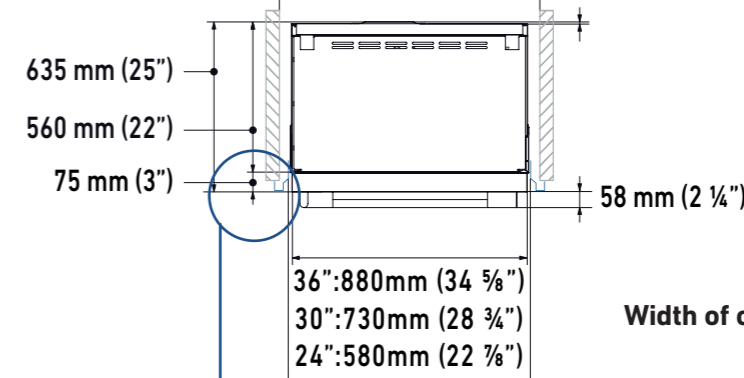
Minimum distance from the wall (hinge side)

36" model: 230 mm (9")
30" model: 195 mm (7 3/4")
24" model: 160 mm (6 1/4")

With of appliance body.

36" model: 914 mm (36")
30" model: 762 mm (30")
24" model: 610 mm (24")

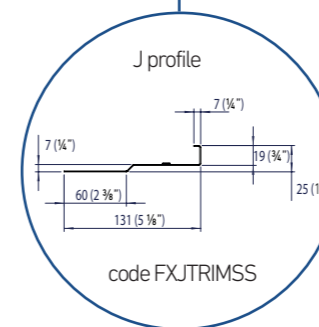
635 mm (25")
560 mm (22")
75 mm (3")



Width of cladged door

36" model: 935 mm (36 3/4")
30" model: 785 mm (30 7/8")
24" model: 635 mm (25")

Width of appliance with mounting brackets installed (effective width)



! Due to the nature of the design of this model (Euro width), in order to improve the aesthetics when installing into an existing standard North American width cut-out, the J-Profile trims serve a dual purpose by increasing the effective width of the model overlapping the side gables and improving the transition for a proud (not flush) installation as this model is also slightly deeper at 25" than a standard cut-out. cabinet. (Shown on next page)

2.6 Installation cutout features: Stainless exterior Pro

(European standard cutout width)

A **Minimum cutout height**

2134 mm (84")

Minimum cutout width

36" model: 900 mm (35 1/2")
 30" model: 750 mm (29 5/8")
 24" model: 600 mm (23 3/4")

Depth with door

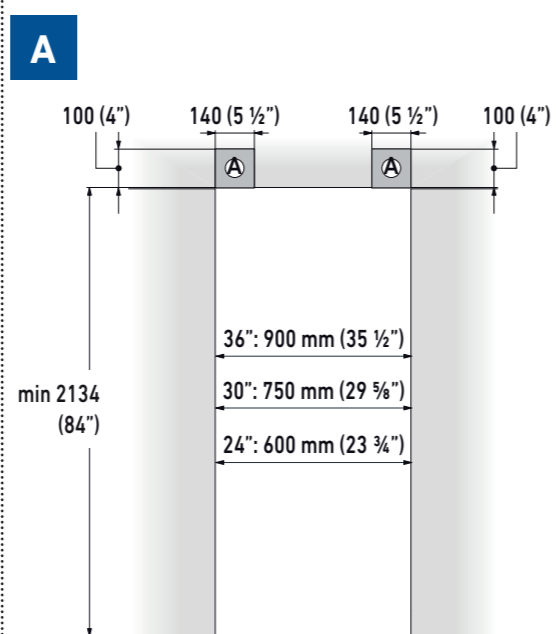
635 mm (25")

Area to be left clear for the anti-tipping brackets

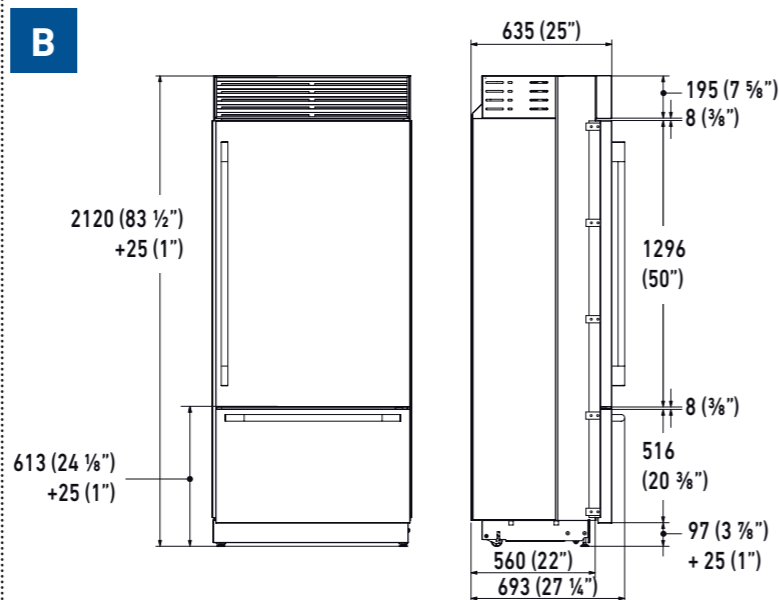
127 mm (5") for both right and left sides

B **Appliance height**

2120 mm (83 1/2") + 25 mm (1")



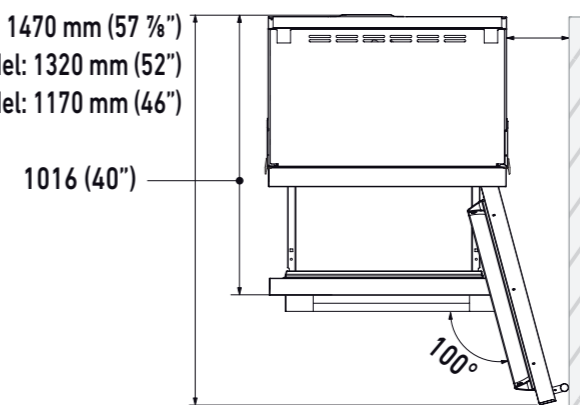
When installing our top compressor models in a new construction, it is recommended to use the European "cutout" dimensions to achieve a minimal gap on the lateral sides and avoid the need to use the J-profile trim kit. Installing in the unit in a standard North American "cutout" without the J-profile trim kit, will result in a larger gap along the cabinet opening.



Door Swing Clearance

36" model: 1470 mm (57 7/8")
 30" model: 1320 mm (52")
 24" model: 1170 mm (46")

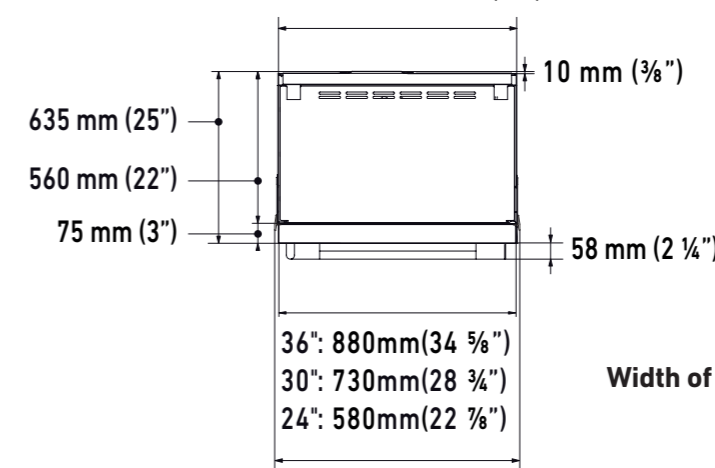
1016 (40")



Minimum distance from the wall (hinge side)

36" model: 230 mm (9")
 30" model: 195 mm (7 3/4")
 24" model: 160 mm (6 1/4")

36" model: 885 mm (34 7/8")
 30" model: 735 mm (28 7/8") **With of appliance body.**
 24" model: 585 mm (23")



36": 880mm(34 5/8")
 30": 730mm(28 3/4") **Width of cladded door**
 24": 580mm(22 7/8")

36" model: 898 mm (36 3/8") **Width of appliance with mounting brackets installed (effective width)**
 30" model: 748 mm (29 1/2")
 24" model: 588 mm (23 1/8")

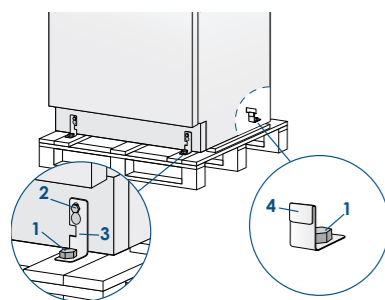
3.1 Transport to installation site and unpacking



The appliance is very heavy. Take maximum care during handling to avoid injury.



The appliance should always be transported in an erect position. Avoid at all costs leaning it on its front side.



Since this is a large and heavy appliance, before transporting the appliance, check the access to the location where it will be installed (door size, maneuvering space in stairwells, etc.).

The appliance is attached to the base of the packaging (pallet) through four bolts which can be removed using a 19 mm (3/4") wrench.

It is recommended to use a manual transporting device to move the appliance to the installation site, and only at this point to remove the base of the packaging.

The appliance should always be transported in an erect position.

If this is not possible, transport the appliance laying on its rear side.

Once at the installation site, the appliance, which is equipped with four wheels, can be taken off the pallet

and positioned in the installation area.

Operate as follows:

> Take off the four bolts securing [1] the appliance to the pallet by means of a 19 mm (3/4") wrench or socket.

> Remove the fixing brackets [3] and [4].

> To release the front fixing bracket [3], loosen the rear wheel adjusting bolt [2] by means of a 13 mm (1/2") wrench or socket. Avoid straining this bolt at its stop points one way or the other so as to not damage the rear leveling system.

Ensure the front leveling legs are retracted so that all 4 wheels are able to contact the floor for easiest maneuvering.

> From the back or side of the unit and by means of a suitable, heavy duty hand trolley, take off the appliance and place it on the floor.

Be very careful to avoid any damage to floors. Delicate floors should be protected with plywood, hard cardboard or similar material panels.

> At this point, adjust the rear rollers down (clockwise on the leveling rod [2]) until they make contact with the floor and raise the rear of the appliance enough that it will roll freely

3.2 Electrical and water connection



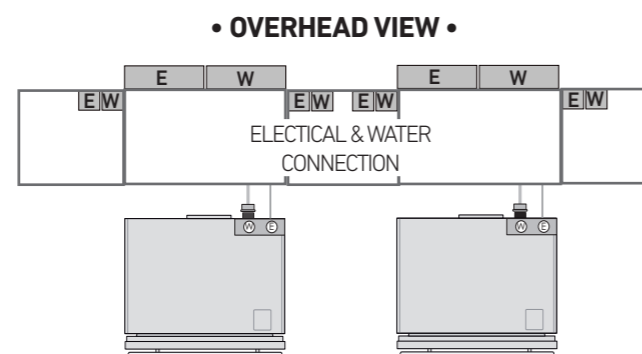
The supplied water filter cannot make it safe to drink any water which is not already suitable for human consumption.



The appliance should be connected only to a potable water supply system.



Do not use extension cords or adapters. Once the appliance is fully installed, connected to the water supply (if applicable), and operational, in the event that the water supply must be turned off, disable the ice maker before the main water is shut off to prevent the appliance from entering a 'NO WATER IN' alarm state. Refer to the Use & Care Manual for how to disable the ice maker.



Electrical or water connections located directly behind the appliance must be recessed. Do not put the water shut-off valve directly behind the appliance. It should be in an accessible location.

The appliances are delivered from the factory for operation at 110V-120V AC - 60Hz (US and Canada).

They are provided with a suitable supply cable and plug to be connected to an appropriate 15A socket providing an effective grounding.

A dedicated 15A circuit breaker should also be installed and should be easily accessible so that it can be easily switched off before performing any installation or maintenance.

To connect to the water supply system (for appliances equipped with ice makers) a 1/4" waterline with accessible shut-off valve must be supplied.

The appliance is provided with a water adapter elbow which is suitable for the recommended water pressure and complies the applicable food and water regulations.

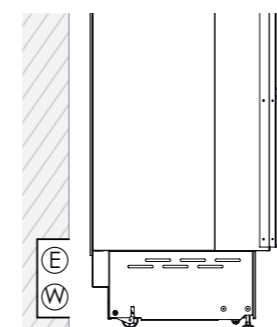
The water filter cartridge, which is provided with the appliance, should be installed according to the accompanying instructions. Please refer to water filter installation instructions contained in the water filter kit. The solenoid connection on the appliance is 3/4" diameter but is metric threaded (NPT). A standard garden hose threaded connector such as a braided stainless hose found at typical hardware stores will strip or damage the solenoid threads. It is recommended to use only the supplied 1/4" quick connect elbow adapter for connecting a 1/4" copper or polyethylene source water line to the appliance.



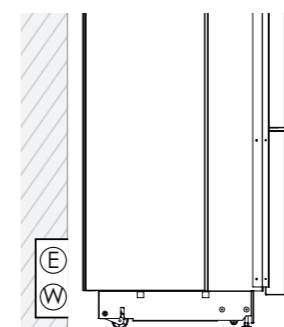
Do not use extension cords and/or multiple adapters for the power supply connection.

ELECTRICAL AND WATER SUPPLY BEHIND THE UNIT

BOTTOM COMPRESSORS UNIT



TOP COMPRESSORS UNIT



3.3 Energy: Alternatives and Home Automation

If energy is supplied through an alternative energy power source (solar, geothermal, etc..) or if home automation systems are installed with carrier signals in the power lines, it may be necessary to install an isolation transformer (not supplied) to prevent interference with the appliance's electronics.

BOTTOM COMPRESSOR UNITS

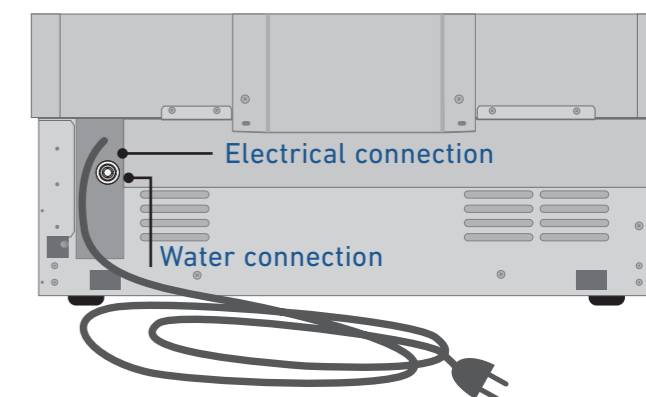


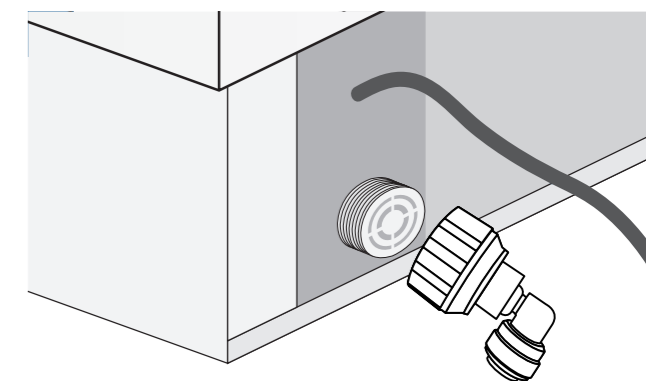
fig.1 Back of appliance

Operate as follows:

> Unwind the electric cable and connect it directly to the wall socket.

> Make sure the appliance is in the Stand-by condition and that all lights are off; should it be not so press the Unit button (⏻) to switch it off.

> Connect the water cable behind the appliance [1].



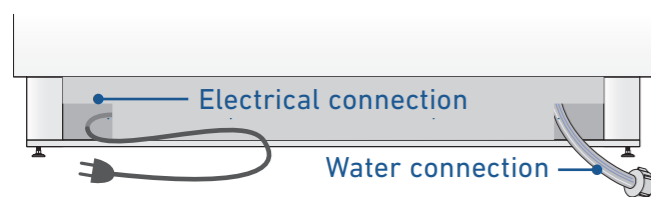

TOP COMPRESSORS UNIT:

fig.2 Back of appliance

Operate as follows:

- > Unwind the electric cable and connect it directly to the wall socket.
- > Make sure the appliance is in the Stand-by condition and that all lights are off; should it be not so press the Unit button  to switch it off.

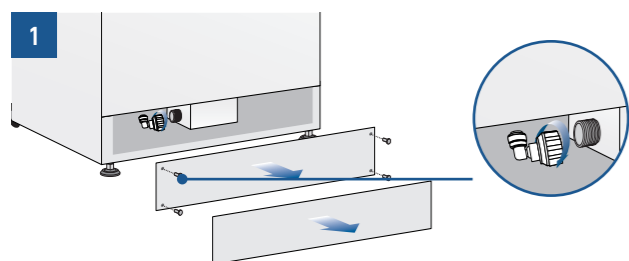
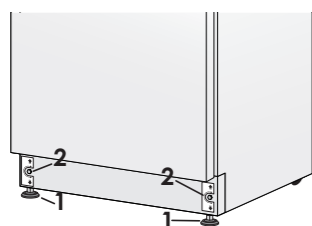


fig.3 Front of appliance

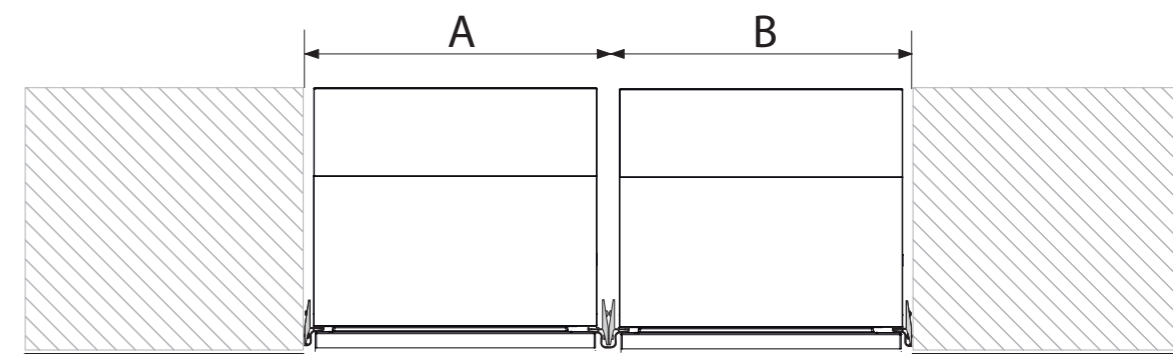
- > Firmly tighten with fingers - a tool / wrench should not be needed to make a proper seal with the rubber washer in the adapter. Turn on the water and ensure all connections are not leaking prior to pushing the unit into the opening.

3.4 Leveling

Adjust the appliance level by means of the front levelling feet **[1]** and the rear adjustable wheels **[2]**.

**Operate as follows:**

- > If necessary, remove the bottom plinth or grille (it is kept in position by magnets), adjust the height of the levelling feet **[1]** by means of a 17 mm (11/16") wrench.
- > Then adjust the height of the rear wheels by turning the front adjusting bolts **[2]** clockwise (raise) or counter-clockwise (lower) as it may be required.
- Take care if using a power driver for this and lower the clutch to prevent damaging the leveling mechanism.
- > Remount the bottom plinth or grille.
- > If you've accidentally backed out the leveling rod so that it is disengaged from the leveling mechanism you will need to pull the appliance forward to access the rear of the base, locate the locking nut which will be loose under the appliance and re-thread the rod through the leveling plate of the mechanism and reinstall the locking nut and re-attempt the leveling.

4.1 Cutout dimension for combined installation (for all models except top compressor units fitted to European-sized cutouts)**CORRECT SPACING BETWEEN APPLIANCES SHOWN LATER IN THIS MANUAL.**

		A			
		18" model	24" model	30" model	36" model
B	18" model	36"(914mm)	42"(1067mm)	48"(1220mm)	54"(1372mm)
	24" model	42"(1067mm)	48"(1220mm)	54"(1372mm)	60"(1520mm)
	30" model	48"(1220mm)	54"(1372mm)	60"(1520mm)	66"(1676mm)
	36" model	54"(1372mm)	60"(1524mm)	66"(1676mm)	72"(1829mm)

- > Example: if appliance A is 24" and appliance B is 36" the required opening width will be 24"+36"=60"


5.1 Overlay door panel layout

The dimensions of the panels are indicated in the table and drawings on subsequent pages.

Nevertheless, according to the requirements for aligning with other kitchen structures, the door panel can be higher than the upper edge of the refrigerator door.

The panels must be mounted using special brackets which attach to adjustable devices provided on the door and drawer and with brackets that anchor and adjust the panel's vertical direction.

Brackets and fixing screws are provided with the appliance and must be applied to the panel as indicated.

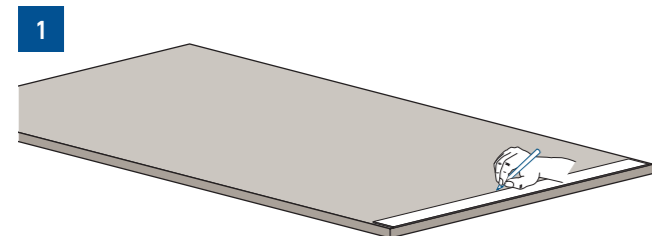
 For shaker or framed panel styles, it may not be possible to affix the upper or lower leveling brackets unless the cabinet maker has accommodated their mounting with additional material on the back of the panel.

Operate as follows:

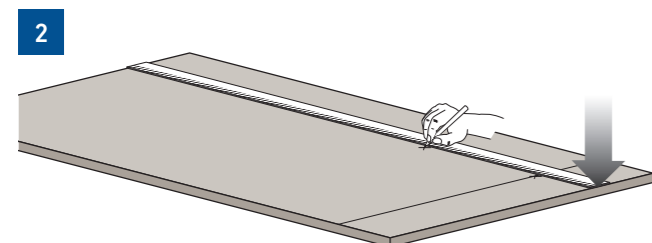
To prepare the panels to be mounted on the appliance, follow these steps, working on the back of the panel.

Door Panel

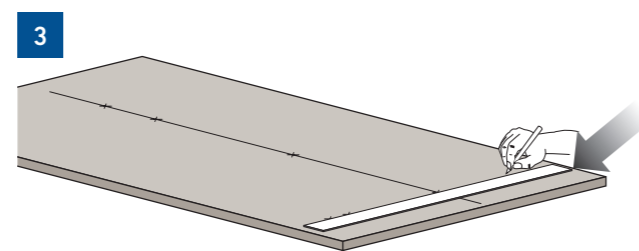
> Draw a vertical center line on the panel from top to bottom [1].



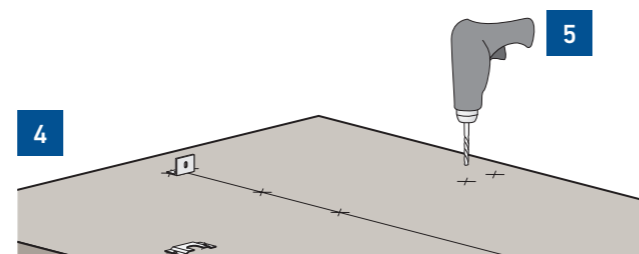
> Starting from the bottom edge of the panel, mark the positioning of the brackets [2].



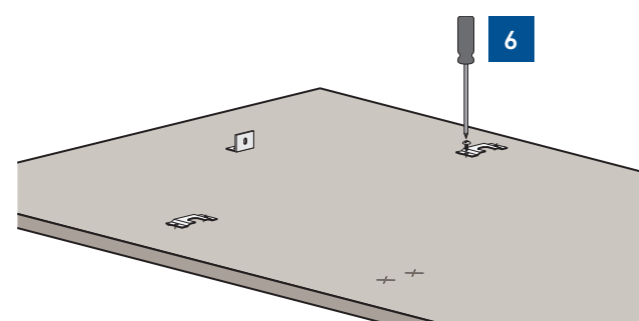
> Following the corresponding table, mark the external and then the internal hole [3].



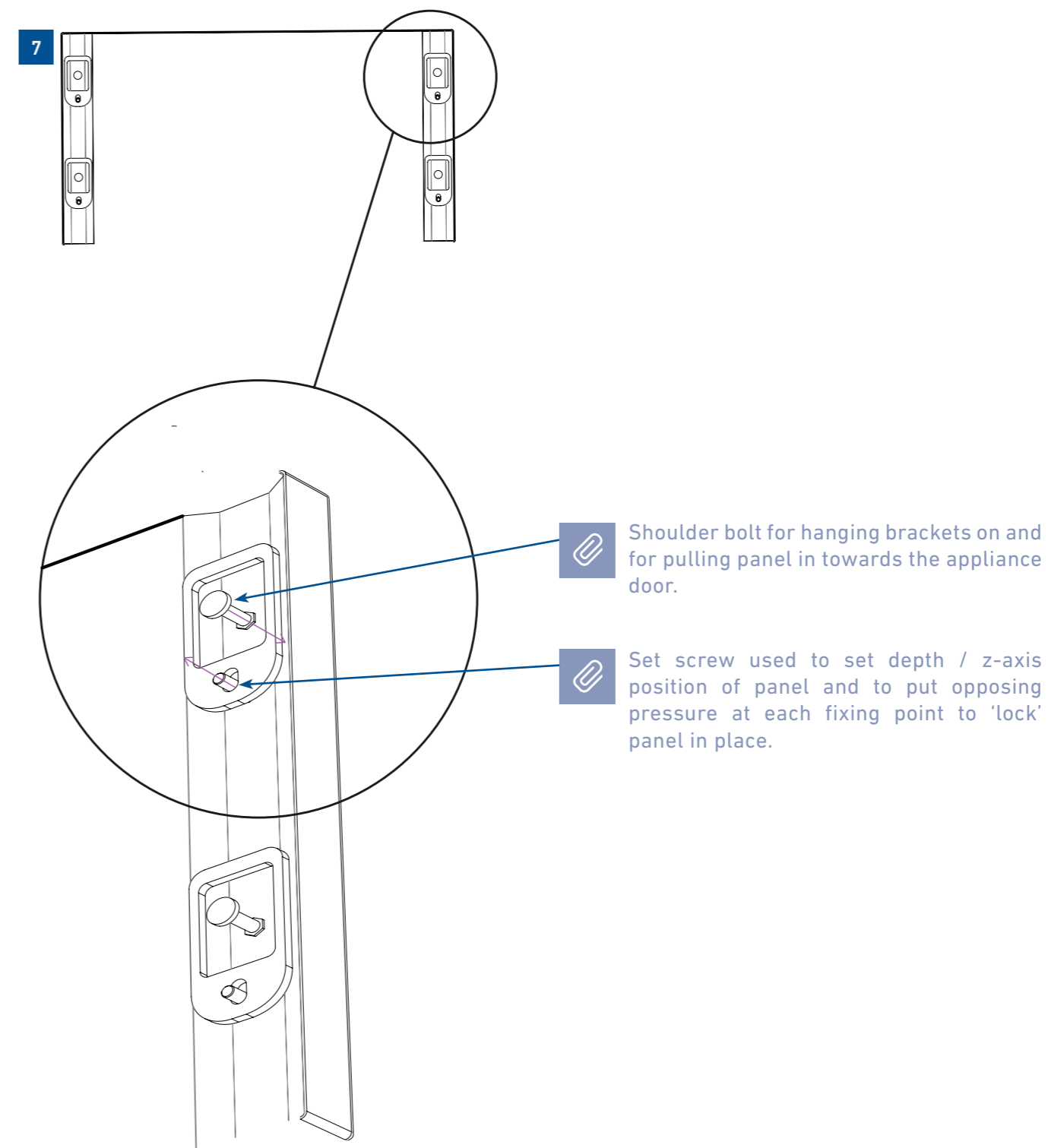
> Position the brackets on each set of marks to make sure they are aligned [4], if you choose to drill small pilot holes for the screws pay special attention to not pass through the panel entirely. [5].



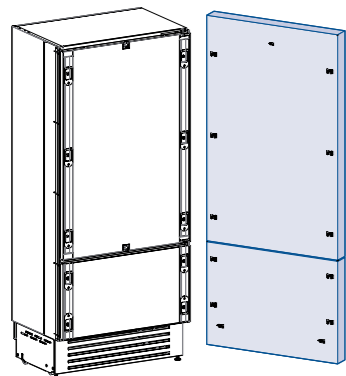
> Screw the brackets in place [6].



> Prepare the appliance door for panel mounting by threading the shoulder bolts into the recessed receivers and the set screws into the other hole [7]. Ensure the end with the hex key socket is threaded into the door and not on the visible end. Thread this in far enough that it is flush with appliance door face so as not to interfere with hanging the panel. You will adjust these later.



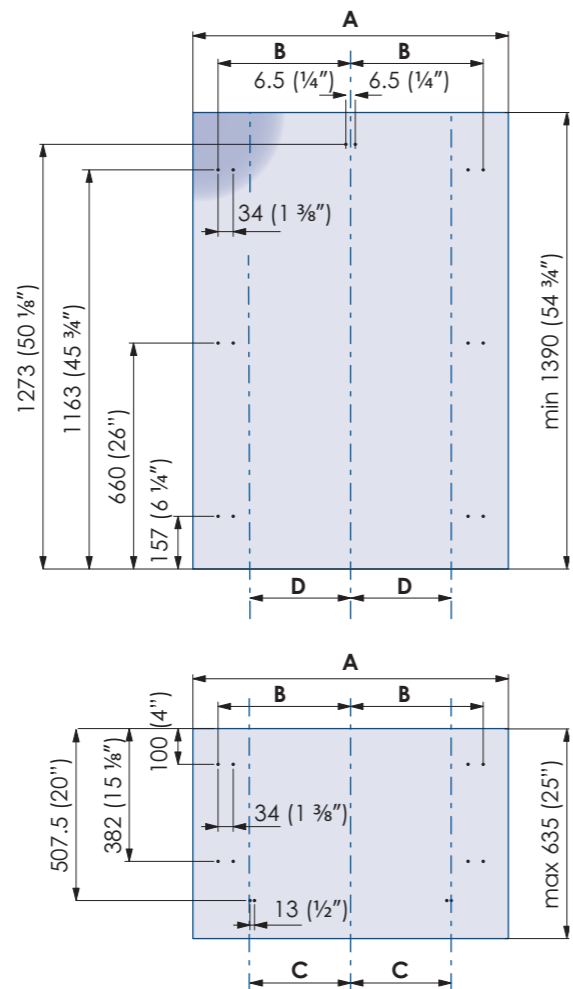
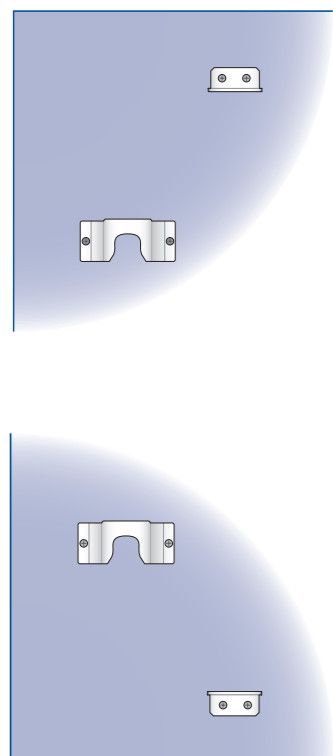
5.2 Overlay panels layout for appliance with one bottom-drawer



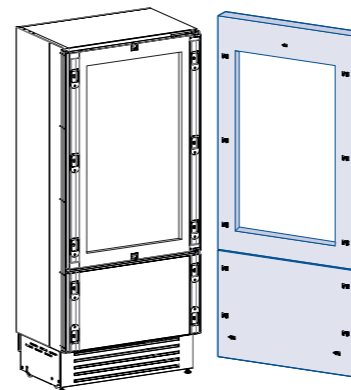
	36" model	30" model	24" model
A	908 (35 3/4")	756 (29 3/4")	604 (23-3/4")
B	417 (16 3/8")	342 (13 1/2")	276.5 (10 7/8")
C	354.5 (14")	279.5 (11")	203.5 (8")
D	368 (14 1/4")	302 (11 7/8")	235 (9 1/4")

Dimension 'D' represents the safe zone for shaker / framed style panels to assure the mounting brackets can be affixed to an area of the panel with sufficient material to accept the screws.
 A: Overall width of the panel
 B: Measurement to outside hole of hanger bracket
 C: Measurement to outside hole of drawer panel vertical positioning L-bracket
 D: Measurement to designate 'safe zone'.

Holes positions and bracket orientation:



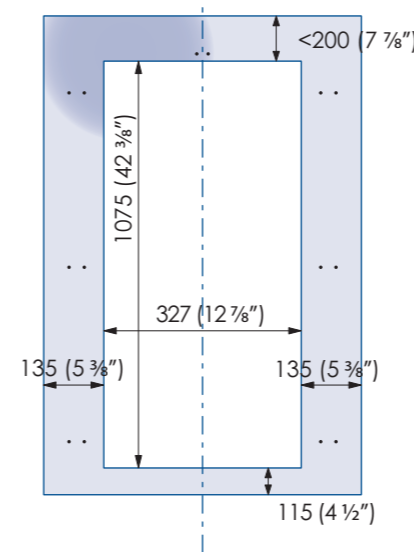
5.3 Overlay panels layout for appliance with glass door and one bottom-drawer



	24" model
A	604 (23-3/4")
B	276.5 (10 7/8")
C	203.5 (8")
D	235 (9 1/4")

Dimension 'D' represents the safe zone for shaker / framed style panels to assure the mounting brackets can be affixed to an area of the panel with sufficient material to accept the screws.
 A: Overall width of the panel
 B: Measurement to outside hole of hanger bracket
 C: Measurement to outside hole of drawer panel vertical positioning L-bracket
 D: Measurement to designate 'safe zone'.

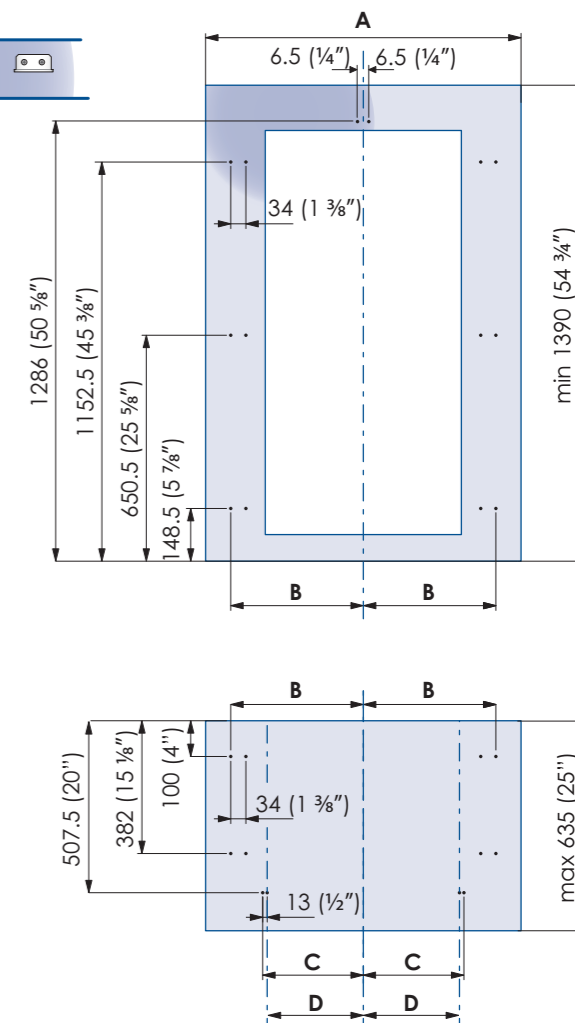
Door window dimensions:



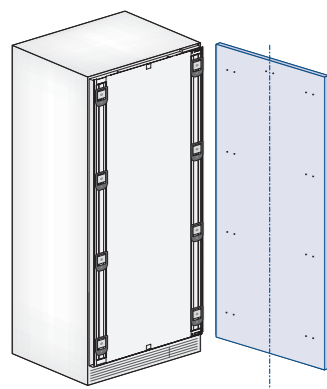
Bracket orientation:




Holes positions:



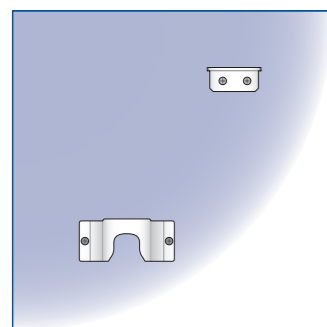
5.4 Overlay panel for column



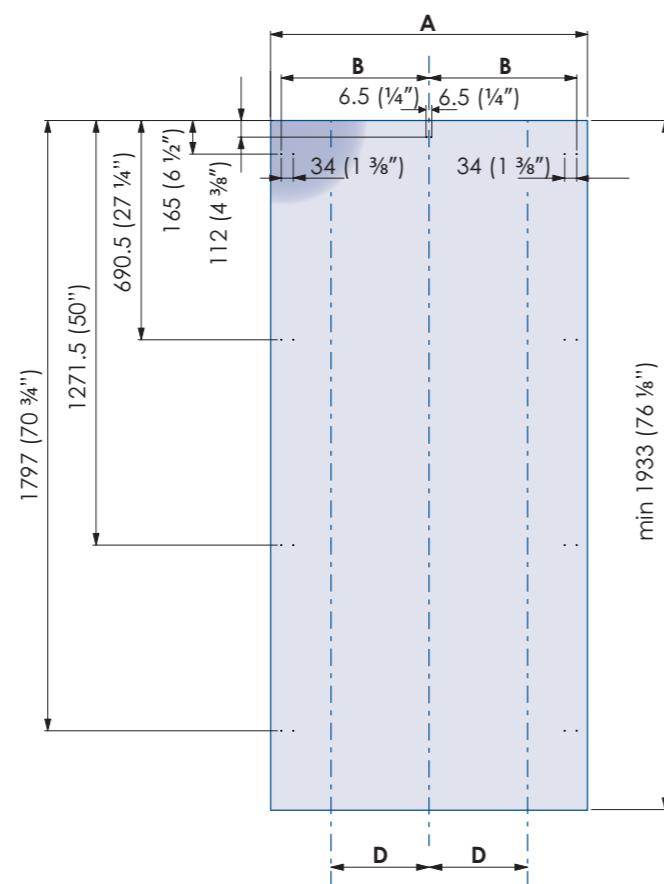
	36" model	30" model	24" model	18" model
A	908 (35 3/4")	756 (29 3/4")	604 (23 3/4")	451 (17 3/4")
B	418 (16 1/2")	343 (13 1/2")	275 (10 7/8")	200 (7 7/8")
D	368 (14 1/4")	302 (11 7/8")	235 (9 1/4")	158 (6 1/4")

 Dimension 'D' represents the safe zone for shaker / framed style panels to assure the mounting brackets can be affixed to an area of the panel with sufficient material to accept the screws.
A: Overall width of the panel
B: Measurement to outside hole of hanger bracket
D: Measurement to designate 'safe zone'.

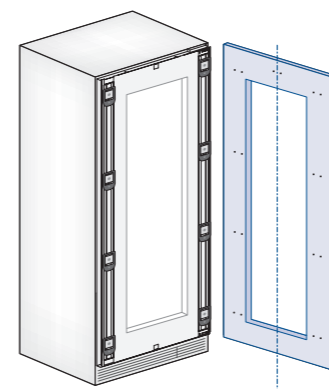
Bracket orientation:



Holes positions:

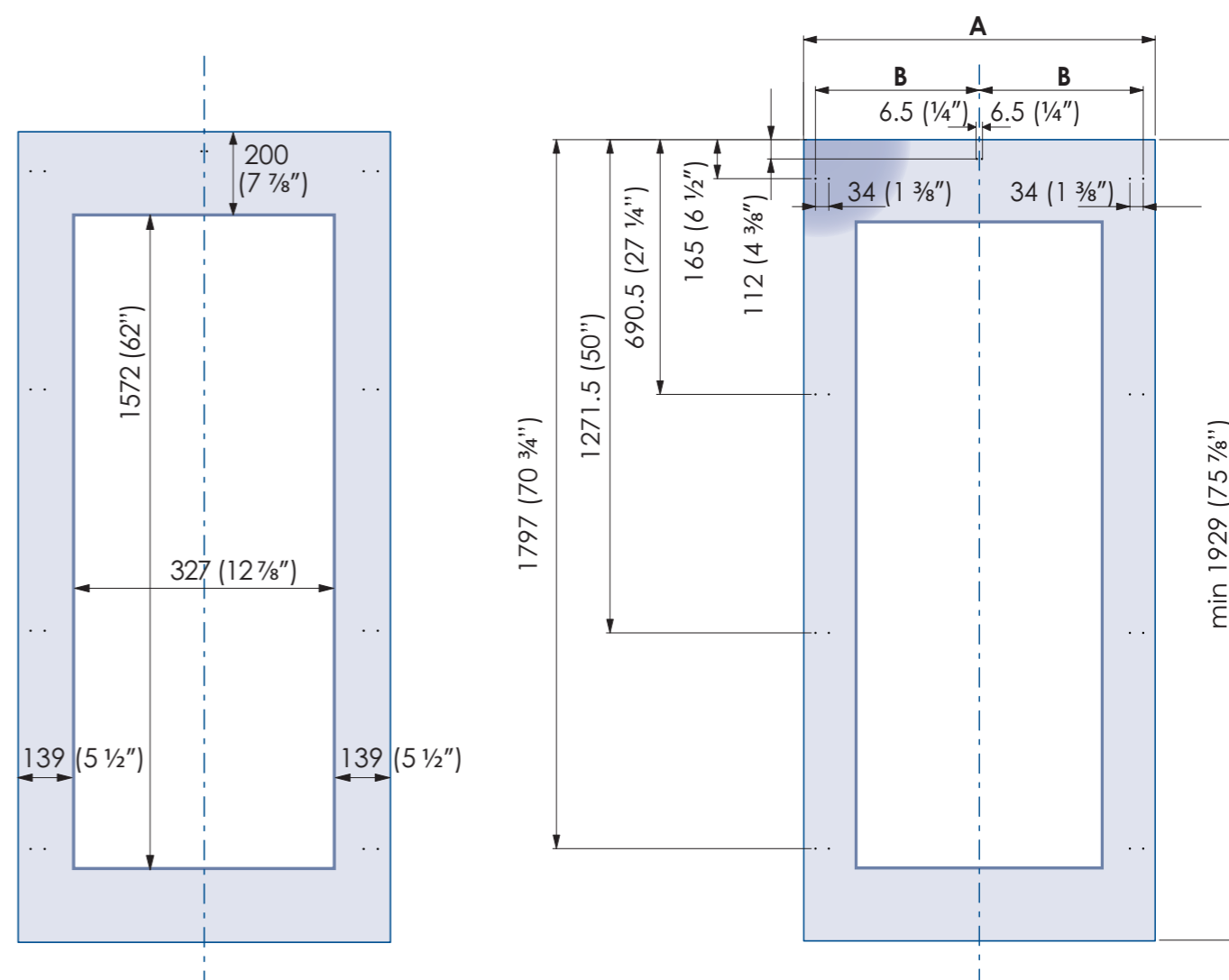


5.5 Overlay panels layout for column with glass door



	24" model
A	604 (23 3/4")
B	275 (10 7/8")

Holes positions:

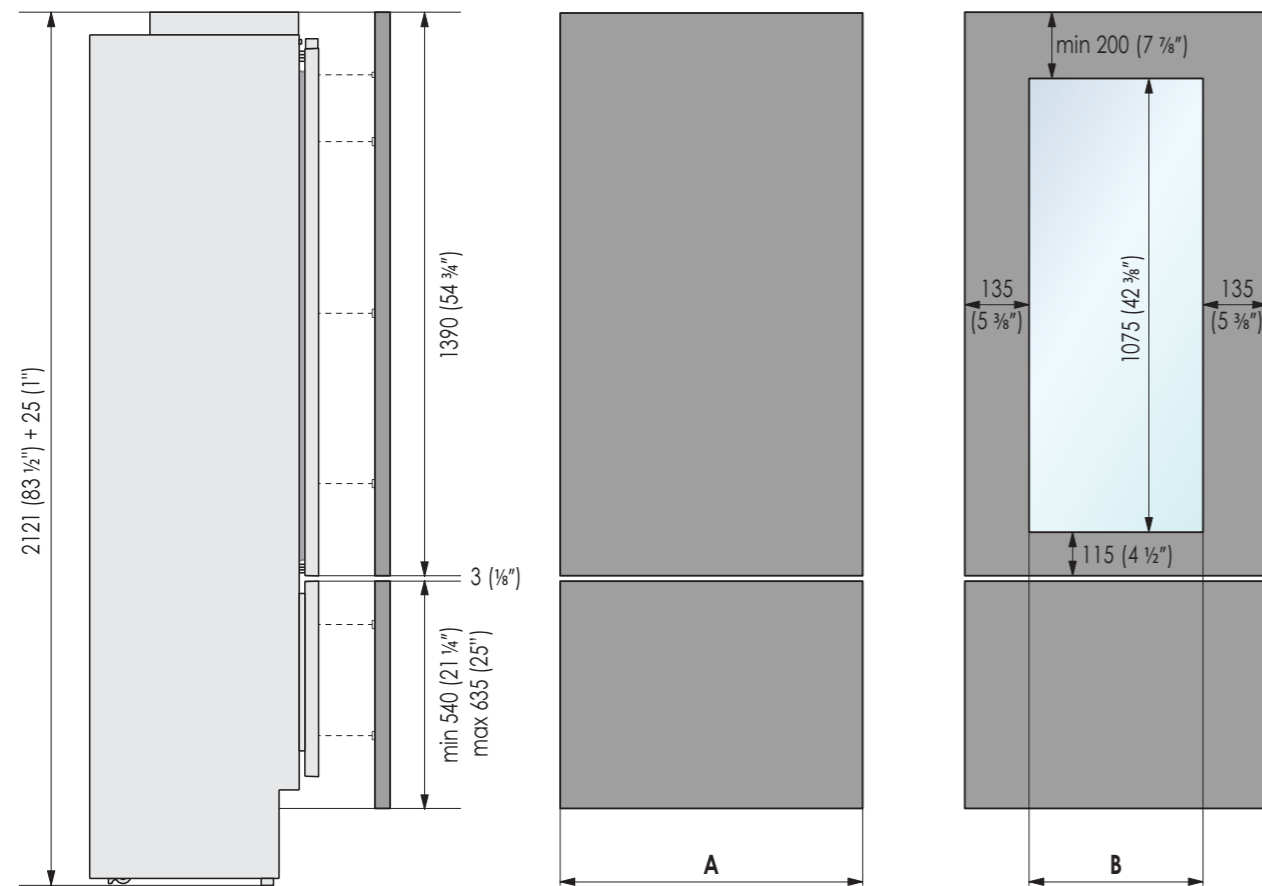


5.6 Panels dimensions: single bottom-drawer

Panels can have thickness ranging between 18 mm (3/4") and 28 mm (1-1/8"). Door panels can have a maximum weight 23 kg (51 lbs) and drawer panels may be a maximum weight of 11 kg (25 lbs). Exceeding these weights could void your warranty for any service issues which can be attributed to overweight panels.

The hinging mechanism is considered to be `Zero-clearance`. The door and drawer widths specified below assume the minimum cutout width is being used and a 3.5mm (1/8") reveal is desired around the panels. Adjust your panel dimensions accordingly to your own design criteria considering your cutout width and your reveal. Minimum reveal / gap should not be less than 1.5mm (1/16").

MODEL	DOOR/DRAWER WIDTH A	DOOR CUTOUT WIDTH B
36"	908 (35 3/4")	627 (24 3/4")
30"	756 (29 3/4")	477 (18 3/4")
24"	604 (23 3/4")	327 (12 7/8")



Example:
 84" cutout height
 36" cutout width
 4" toe kick height
 1/8" gap desired all around

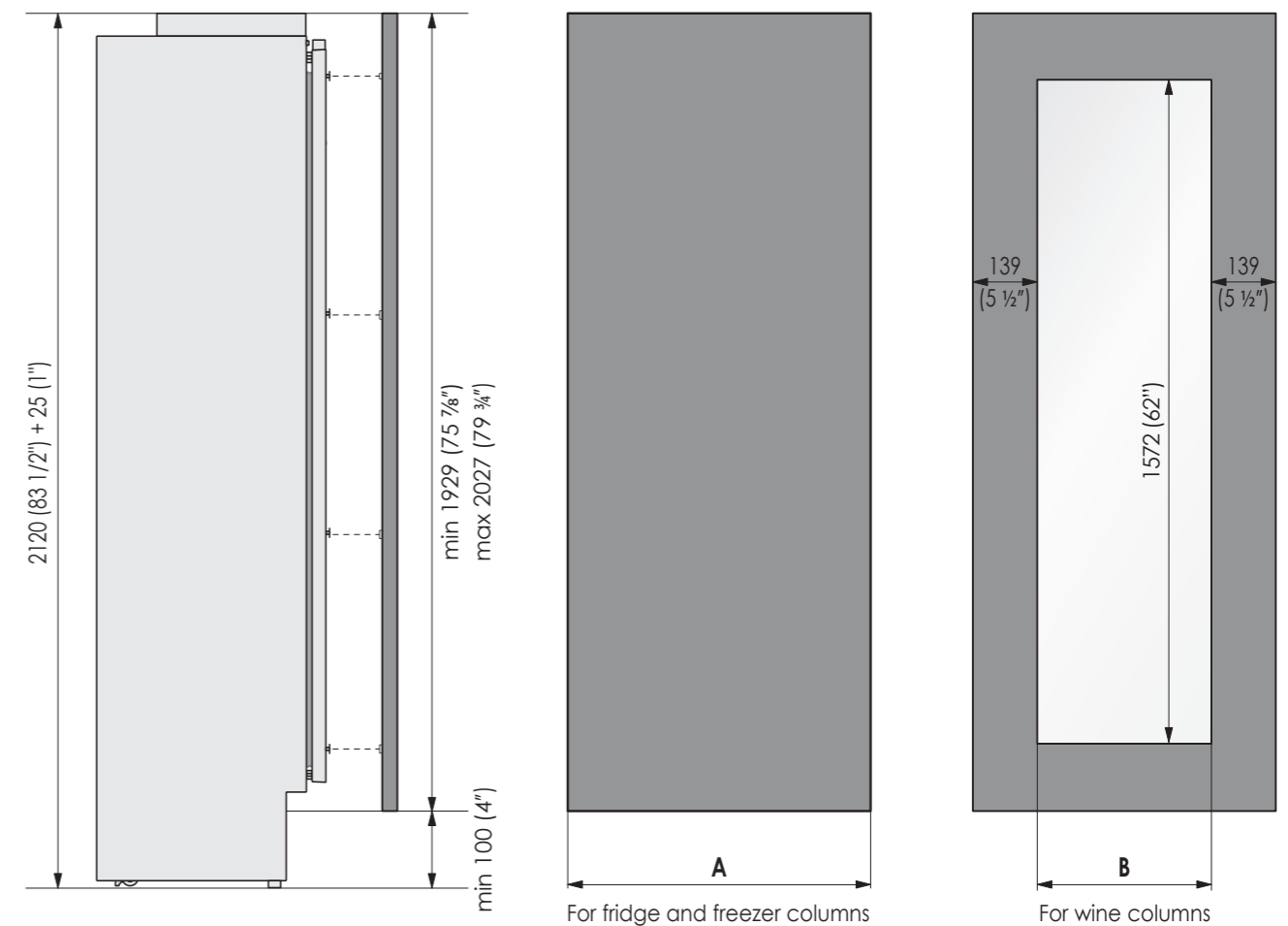
Door panel:
 Width: 35-3/4"
 Height: 54-3/4"
 Drawer panel:
 Width: 35-3/4"
 Height: 84"-1/8"-54-3/4"-1/8"-4"=25"
 If you want a 6" toe kick height then your bottom drawer panel height would be 23"

5.7 Panel dimensions column models

Panels with thickness ranging between 19 mm (3/4") and 28 mm (1 1/8"). Door panels with weight max of 34 kg (75 lb). Exceeding these weights could void your warranty for any service issues which can be attributed to overweight panels.

The hinging mechanism is considered to be `Zero-clearance`. The door and drawer widths specified below assume the minimum cutout width is being used and a 3.5mm (1/8") reveal is desired around the panels. Adjust your panel dimensions accordingly to your own design criteria considering your cutout width and your reveal. Minimum reveal / gap should not be less than 1.5mm (1/16").

MODEL	DOOR WIDTH A	DOOR GLASS WINDOW WIDTH B
36"	908 (35 3/4")	-
30"	756 (29 3/4")	-
24"	604 (23 3/4")	327 (12 7/8")



For fridge and freezer columns

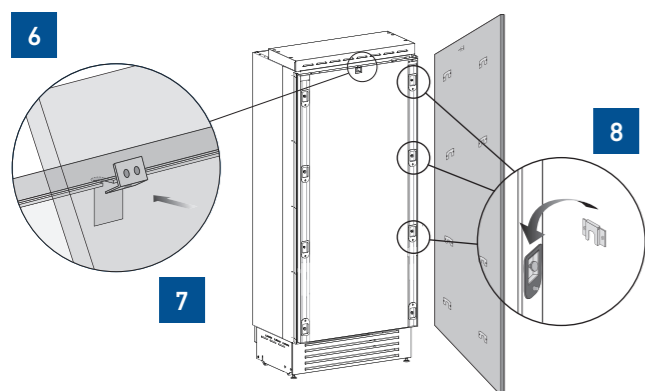
For wine columns

5.8 Mounting panels to the door

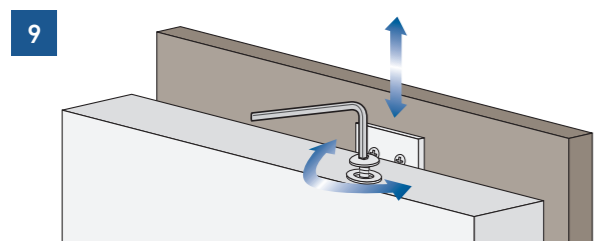
Once all mounting and alignment brackets have been applied to the panels, you can begin installing the door.

> Hook the panel to the fixing devices starting from the top aligning brackets [6].

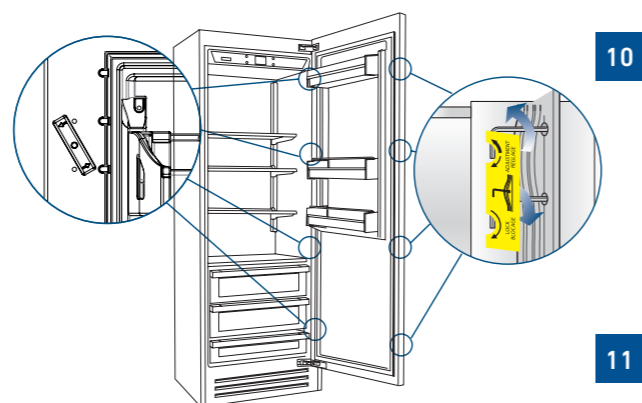
> At this point, alignment between the panel and adjacent cabinets can be adjusted using the alignment brackets [7] and mounting brackets [8].



> Vertical alignment: tighten or loosen the screw in the brackets to raise or lower the panel [9].



> Depth alignment: working from the inside of the door, after lifting up the magnetic seal on the handle side and rotating the plastic covers on the hinge side, adjust the panel position in the Z-direction by adjusting the shoulder bolts and setscrews with the 4mm hex key in conjunction with each other finally locking each mounting position in place [10 & 11].



Once the front panel has been adjusted, check that the gasket has been repositioned correctly to assure the door/drawer are closing and sealing correctly to avoid operational errors of the unit.

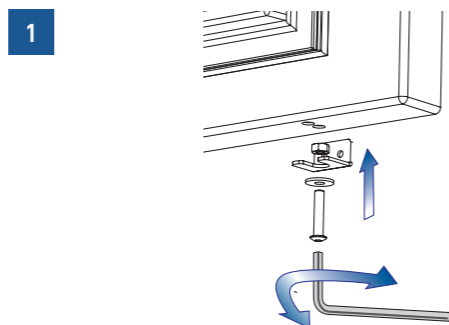
For models accepting custom overlay panels no handles are included with the product. You are free to supply and mount your own handles matching your kitchen's aesthetic or order a Fulgor Milano handle accessory kit from the dealer. Follow the handle mounting instructions that are included with the handles. You may need to countersink screw heads when attaching handles.

5.9 Mounting panels to the drawer

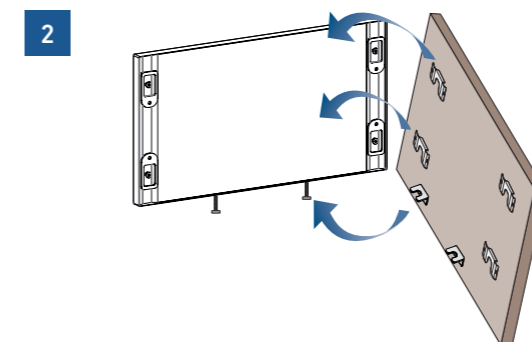
Once all brackets and handles have been applied to the panels, you can begin installing the bottom drawer.

Operate as follows:

> Partially tighten the screw to the nut in the appliance drawer [1].

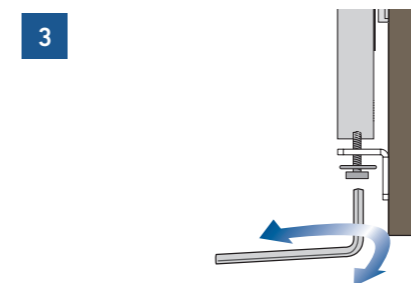


> Hook the bottom drawer panel starting from the adjustment bolts on the bottom [2].

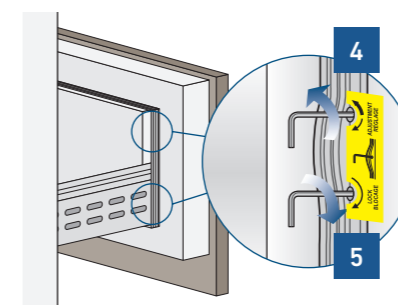


> It is now possible to align panels to adjacent cabinets in height using the lower alignment bolts and brackets, [3] tightening or untightening the screws into position as needed. With the screw slightly tightened, move the panel sideways manually to align it to the other panels on the unit or other adjacent structures.

Set the bottom adjustment bolts using the lock nut against the bottom of the drawer once you are satisfied with the height alignment.



> Depth alignment: working from the inside of the drawer, after lifting up the magnetic seal or rotating the cover plate where necessary, adjust the panel position in the Z-direction by adjusting the shoulder bolts and setscrews with the 4mm hex key in conjunction with each other finally locking each mounting position in place [4 & 5].



5.10 Optional 1/8" panel reveal for multiple unit installation

Note: when joining multiple using overlay panels as per the instructions herein for single install, the resulting gap/reveal will be 3/16" between panels. If you would like to maintain ~1/8" reveal between all the panel and gables you can add 1/16" to the width dimension of the specified panel for each unit.

For example: joining a 24"+30"+36" unit:
 Opening width: 24"+30"+36"=90"
 Standard panel widths based on single unit installs: 23-3/4"+29-3/4"+35-3/4"=89-1/4"
 This leaves an overall space of 3/4" divided by 4 gaps= 3/16"

If you add 1/16" to each panel: 23-13/16"+29-13/16"+35-13/16"=89-7/16"
 This would result in an overall space of 9/16" divided by 4 gaps = 9/64" (~1/8") between panels

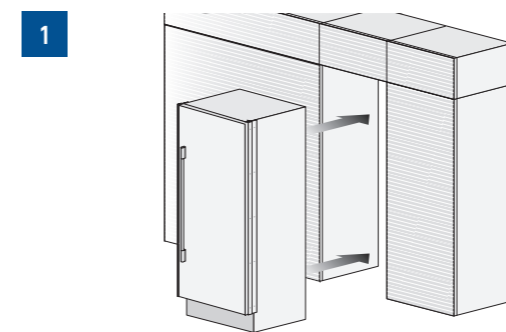
IMPORTANT: The following instruction for installation apply to all Fulgor Milano models.

6.1 Built-in installation of single appliance

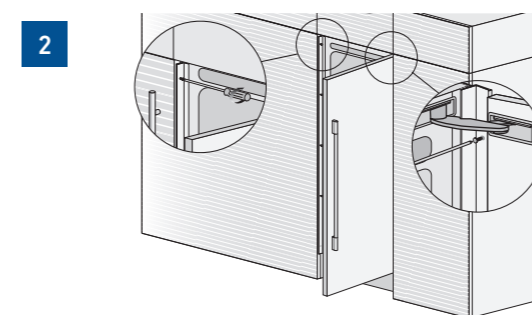
For a built-in installation, to cover gaps between the appliance and the adjacent cabinets and affix the appliance to the cabinetry, use the supplied 10 x piece bracket kit. Follow the instructions included in the bag with the brackets for placement of brackets on the appliance.

Operate as follows:

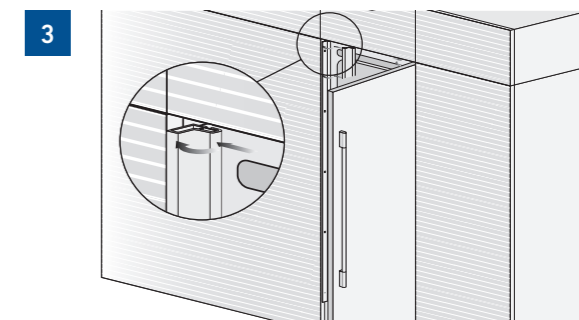
> Push the appliance into the installation cutout [1].



- > Always mount front panel on door before pushing the unit into its final position inside the cutout or structure.
- > Check the levelling of the appliance, adjusting its feet and wheels to correct it.
- > Secure the appliance to the adjacent cabinets using the 10 x spacer brackets. [2].
 Door must be open to access the brackets. Screws for fixing the brackets to adjacent cabinetry are not included.

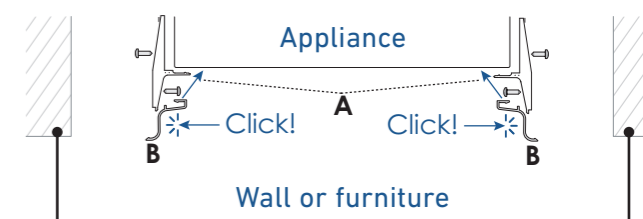


> Mount the bracket covers: first insert them laterally and then push firmly until a "click" is heard [3].



Side profiles mounting:


(Bird's eye view)



- A** Plastic connecting brackets
- B** Profile trim cover

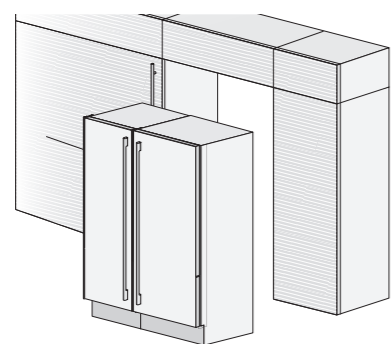
6.2 Built-in installation of two or more appliances

> The central profile is provide with freezer and wine cellar columns.

 Plastic covering frames are provided for closing gaps between the appliance and the adjacent cabinets.

Operate as follows:

> Position the appliances in front of the installation area, leaving enough space to operate at their back [1].

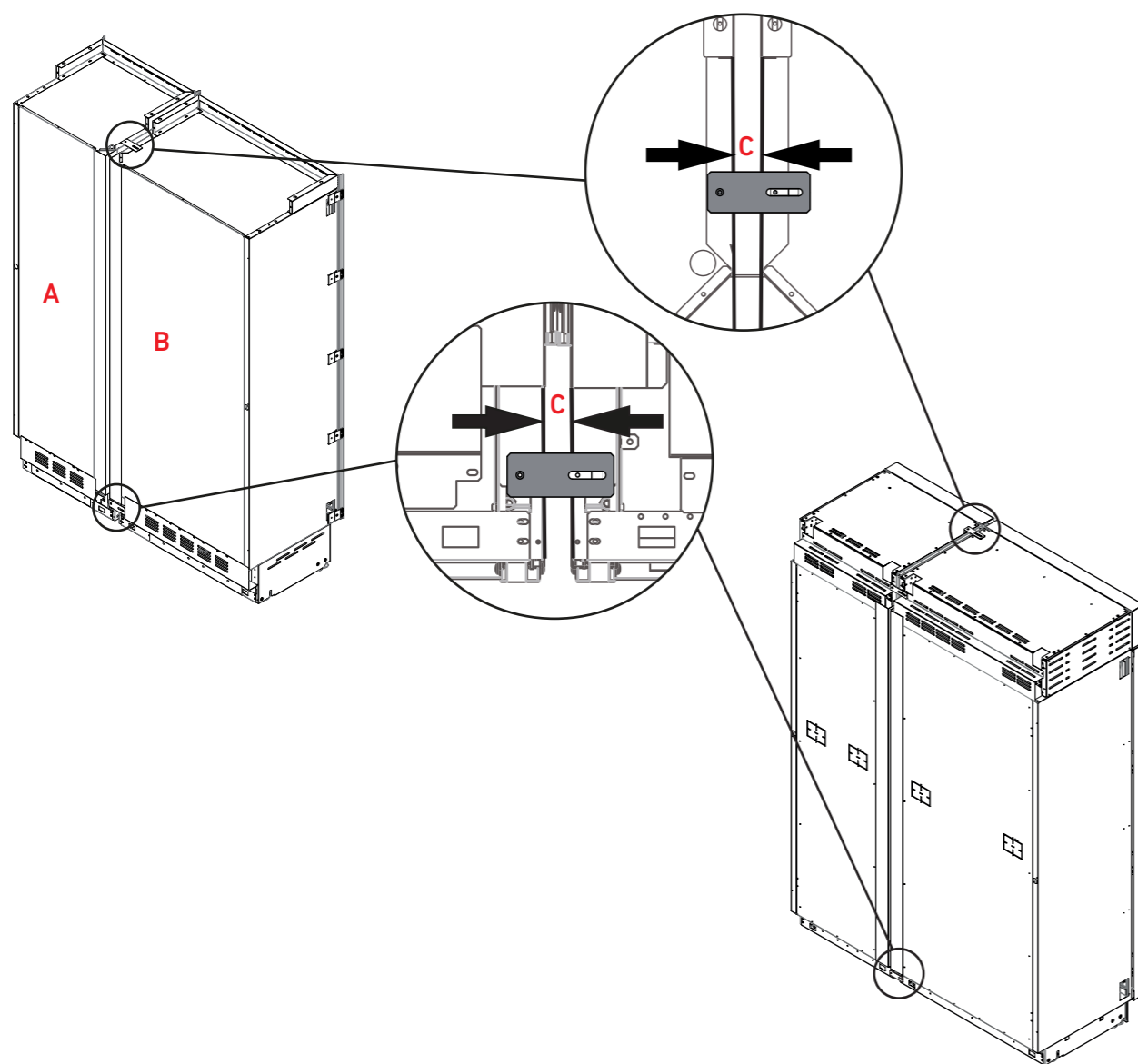


IMPORTANT: the appliances must be level with one another. This can most easily be achieved by aligning the holes in the mounting brackets on each appliance with one another.

> Access the back of the appliances to mount the joining brackets: fix one side of the top and lower brackets to one of the appliances and subsequently to the other [1] minding the gap as per the table on the subsequent pages.

1

BOTTOM COMPRESSOR UNITS



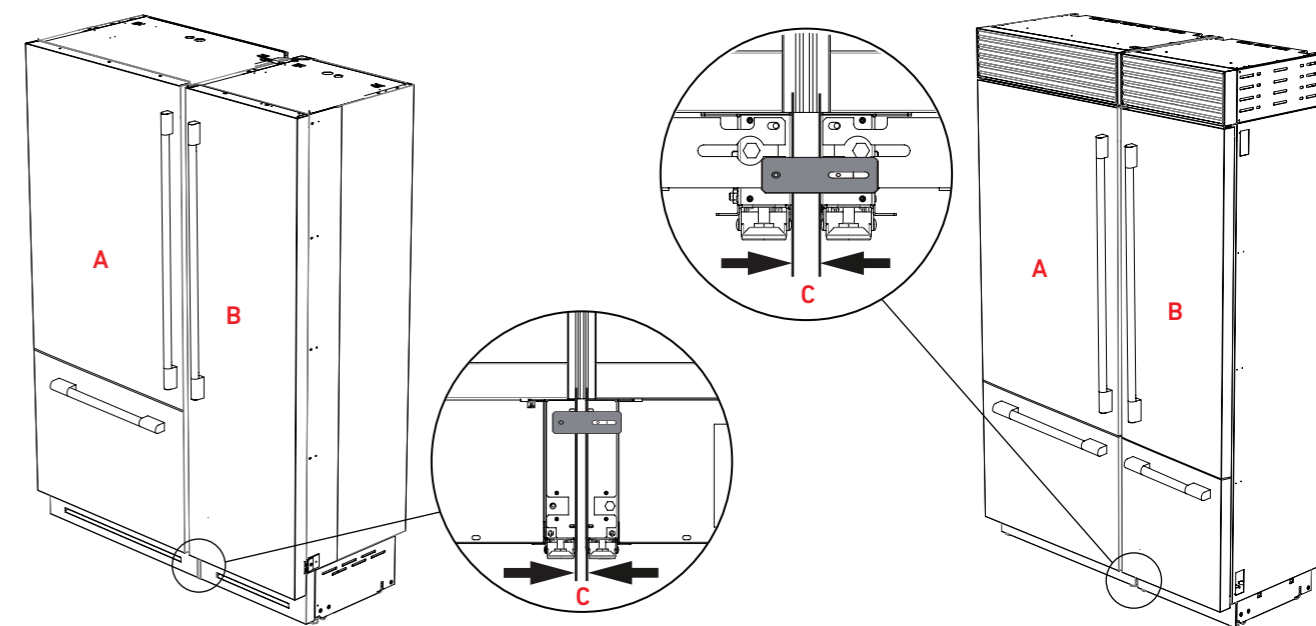
TOP COMPRESSOR UNITS

Do the same at the front lower section of each appliance with the provided bracket [2].

2

BOTTOM COMPRESSOR UNITS

TOP COMPRESSOR UNITS

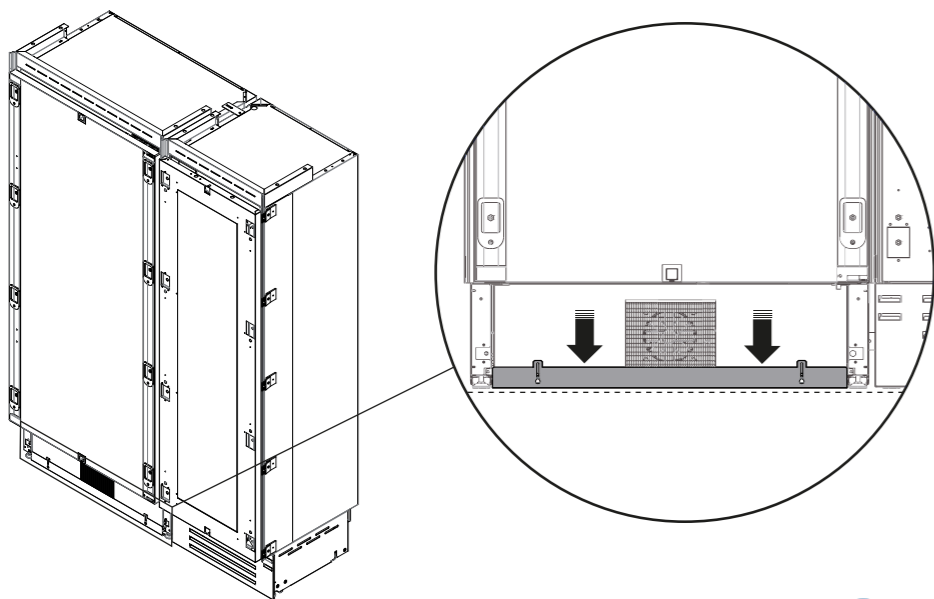


Distance between units (A+B)					
C		A			
		18" model	24" model	30" model	36" model
B	18" model	7/8" (22 mm)	15/16" (23.5 mm)	1" (24.5 mm)	1" (25.5 mm)
	24" model	15/16" (23.5 mm)	1" (25 mm)	1" (26 mm)	1 1/16" (27 mm)
	30" model	1" (24.5 mm)	1" (26 mm)	1 1/16" (27 mm)	1 1/8" (28 mm)
	36" model	1" (25.5 mm)	1 1/16" (27 mm)	1 1/8" (28 mm)	1 1/8" (29 mm)

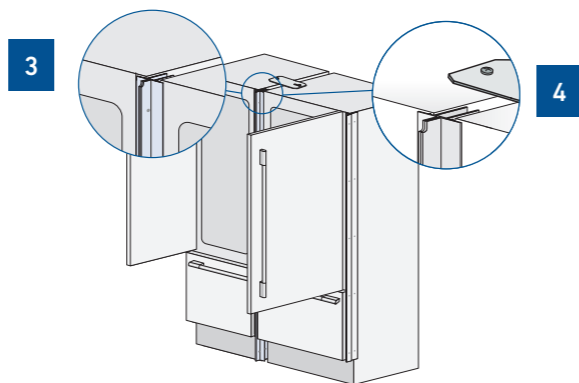
Once the appliances have been adjusted and properly levelled, loosen the two screws holding the sealing plate in position.

Lower the plate until flush with the floor, and re-tighten the screws. This will ensure optimized airflow through the condenser necessary for proper operation.

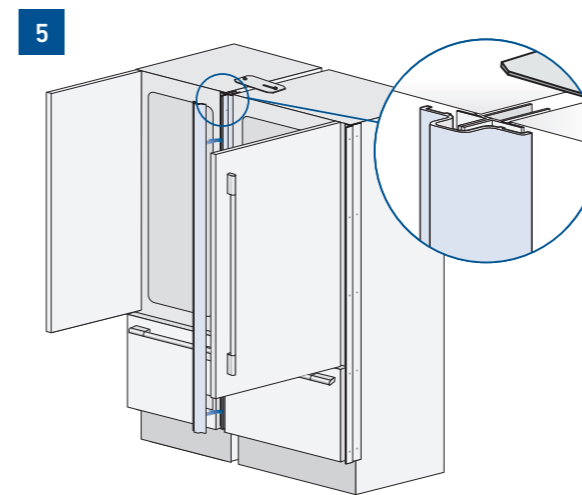
This table is a reference for what the space at the back of the units should be between the appliance bodies when installing the metal brackets from the joining kit. This space between the bodies will occur naturally when connecting the units at the front using the supplied plastic mounting brackets. The table is a tool to allow you to ensure that the space between the units is consistent from front to back. Example of why this is important: if the space at the back between the units is wider than the space at the front, when opening the drawers they may collide with each other when fully extended.



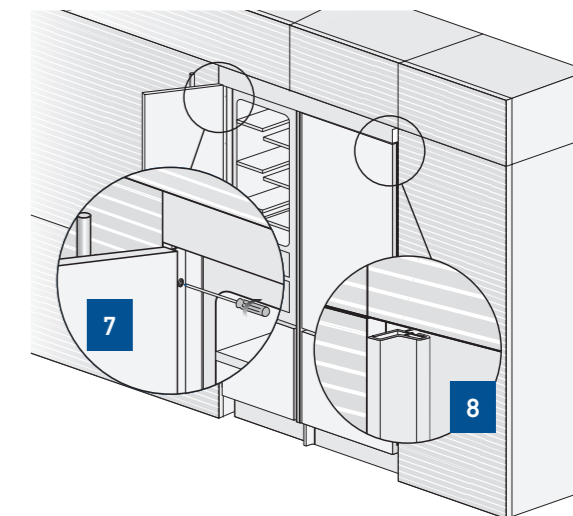
> Next join them at the front attaching the plastic connecting brackets with the supplied screws [3]. It is suggested to use two screws for connecting each bracket; one from each side [4].



> Finish off by mounting the central profile cover onto the central brackets, by pushing it until a click is heard [5].



> Mount the covering frames onto the brackets used to join the units, first insert them laterally and then push firmly until a "click" is heard [8].



> Once completed, push the units into their final position [6].

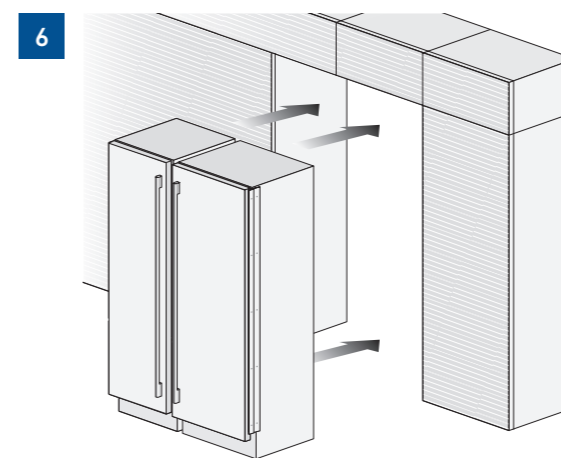
Always mount front panels on door before pushing the unit into its final position inside the cutout or structure.

> Check the levelling of the appliance, adjusting its feet and wheels to correct it.

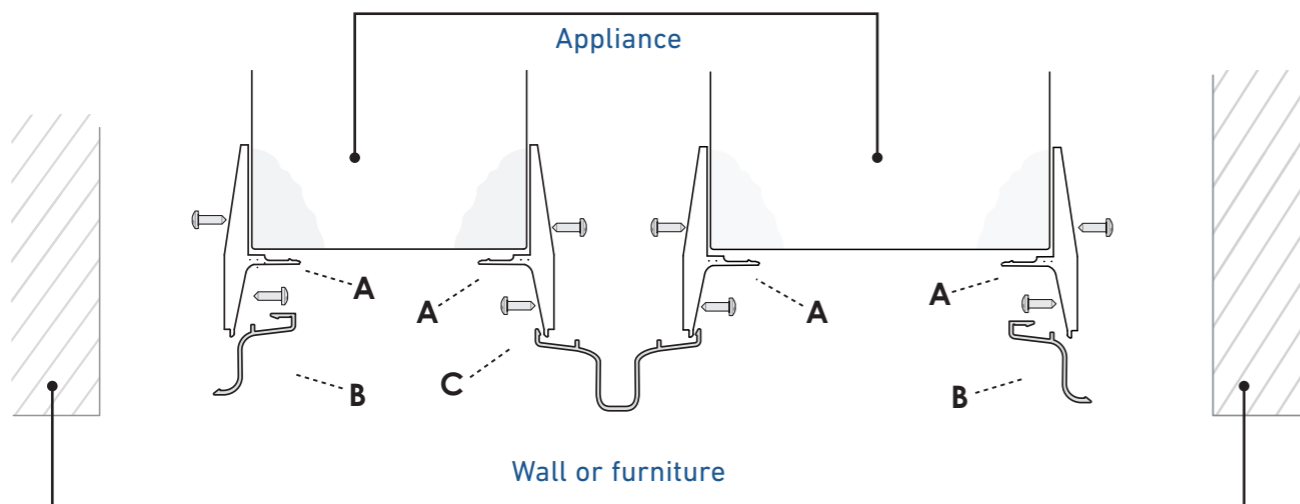
> Secure the appliance to the adjacent cabinets by fixing with the supplied brackets on the appliance [7]. The door must be open to access the brackets for attachment to the cabinetry.



Take care as appliances will be front-heavy and may tip before they are secured to the adjacent furniture.



Side and central brackets mounting:
(Bird's eye view)



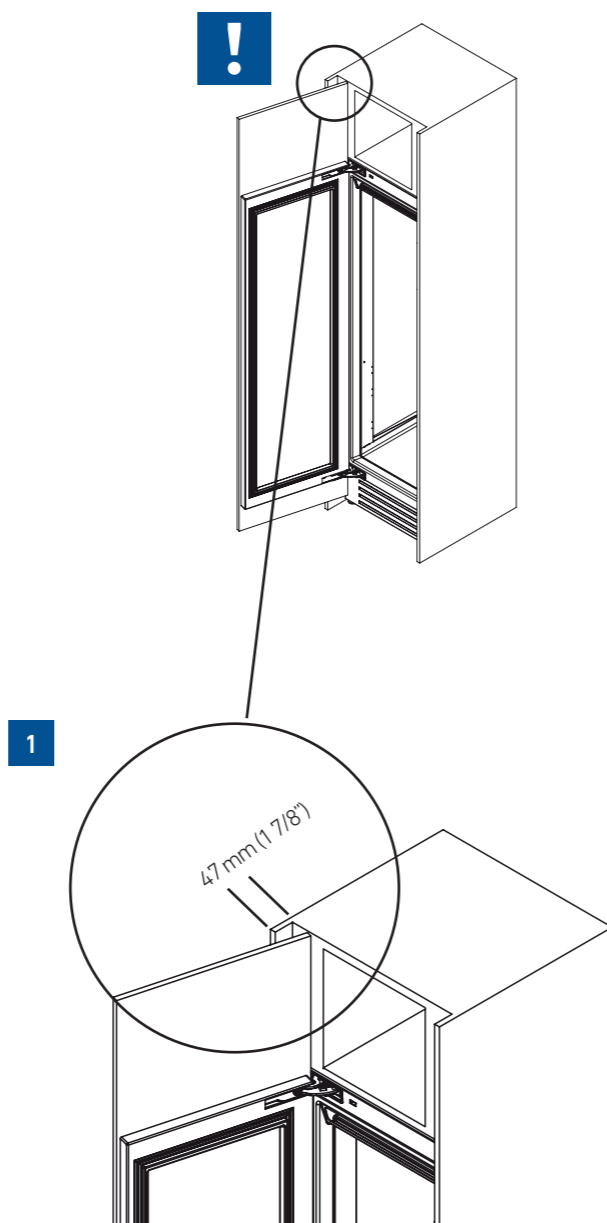
- A - Plastic connecting brackets
- B - Profile trim cover (side)
- C - Profile trim cover (central)

! 6.3 Maximum cabinet depth over panel ready appliance with single door panel

It is possible that the design of the kitchen and, in particular, of the cutout where the panel ready appliance is going to be fitted includes a cabinet right above the refrigerator itself that must be closed with the same panel mounted on the panel ready refrigerator door.

In this case, **the depth of the cabinet above the appliance must not exceed the depth of the appliance without the door [1].**

This will allow the panel attached to the refrigerator door to open correctly without interference during its rotation up to 100°.

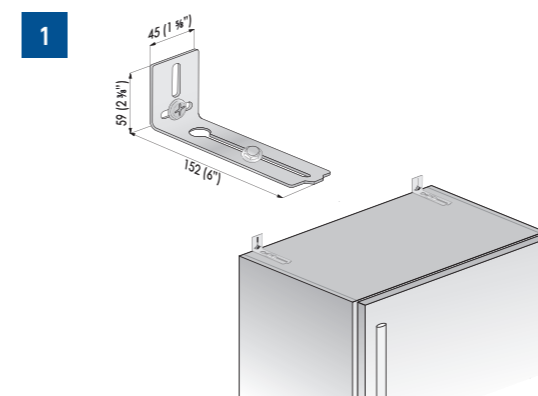


7.1 Anti-tipping safety assembly

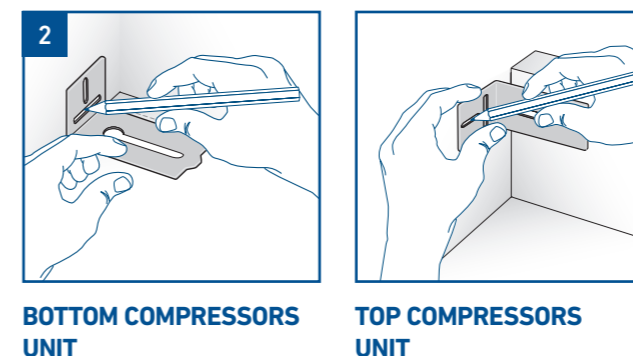
! If the appliance(s) is not connected through the mounting brackets to secured cabinetry you must install the anti-tip brackets to ensure the product does not fall forward during use and cause damage or injury. Failing to secure the appliance(s) securely will void any warranty claim attributable to a tipping situation.

Operate as follows:

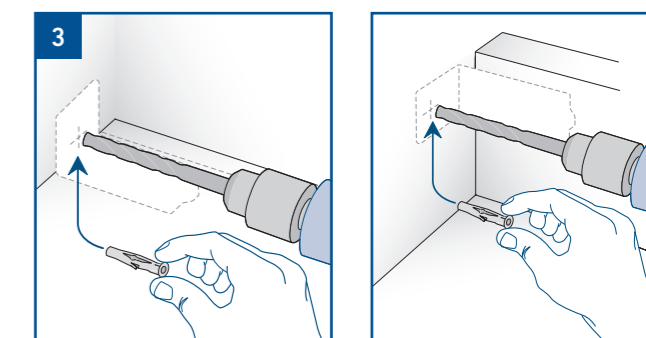
> The brackets should be applied as illustrated using the provided screws. If using the anti-tip brackets, lag into wood framing or concrete - drywall will not hold the weight of appliance. Place a bracket on the top of the appliance in correspondence to the fixing holes and against the wall [1].



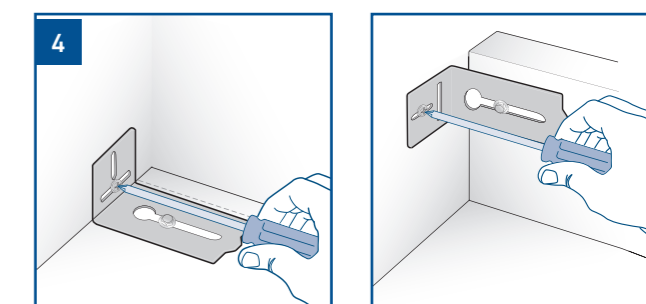
> Mark up the holes position on the wall [2].



> For concrete, drill the wall with an 8 mm (3/8") bit and insert the expansion plug [3].



> Reposition the bracket and fix it first to the appliance and then to the wall [4].



BOTTOM COMPRESSORS MODEL

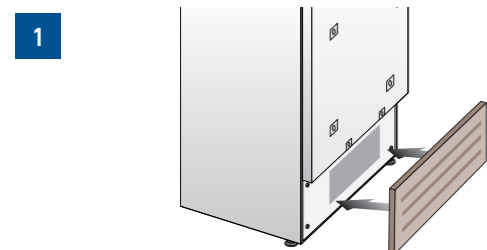
TOP COMPRESSORS MODEL

! In order to use the anti-tip brackets on the top compressor models, it will be necessary to temporarily remove the top, metal ceiling / shield to access the bolting points for the brackets.

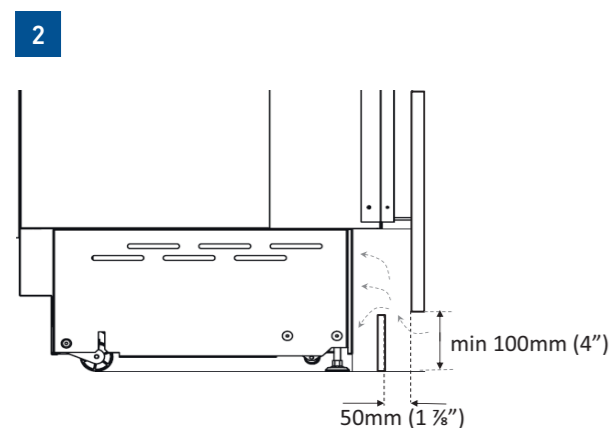
7.2 Ventilation

PANEL READY AND CLADDED MODELS

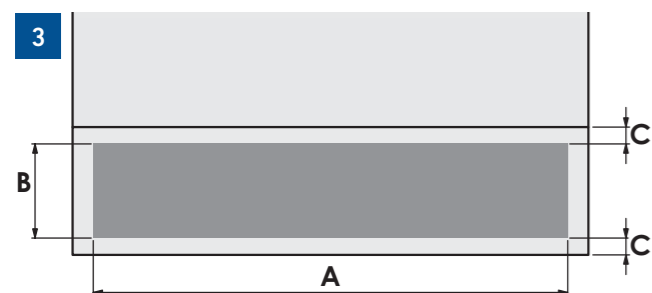
A forced air system assures ventilation through a grille, secured to the unit with magnetic plates, positioned in the lower front part of the unit [1].



If the kitchen cabinet includes a kickplate, it must be placed in a way to ensure optimal airflow [2].

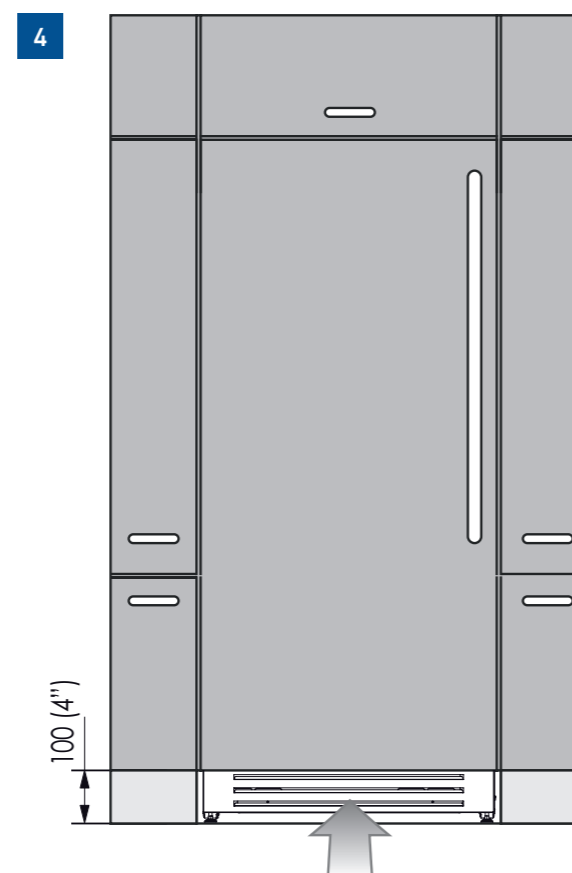


In case of placing a kickplate differently from picture [2], the kickplate must have vents / openings at least of an area equal to 50% of the area delimited by A and B dimensions in picture [3].



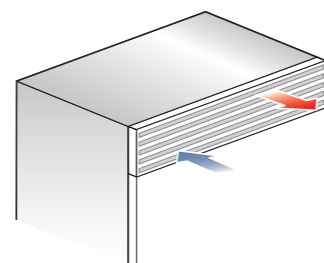
	36" model	30" model	24" model
A	860 (33 7/8")	740 (29 1/8")	560 (22")
B	> 100 (4")		
C	10 (3/8")		

The condenser must be cleaned on a regular basis. In order to do that, the front grille has to be accessible [4].



Stainless exterior Pro SERIES:

Ventilation is accomplished by a forced air system through a grille located in the upper part of the appliance. This grille should never be covered by panels or any other devices that could reduce its efficiency. Please refer to page Technical specifications sections for Stainless exterior Pro models to ensure correct air circulation.

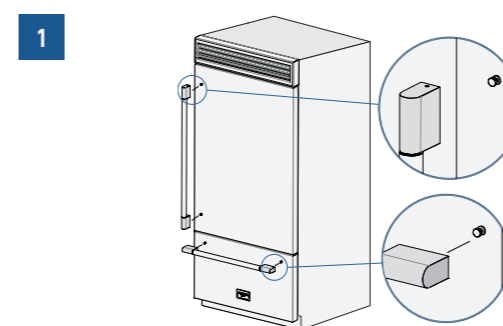


7.3 Mounting the handles on cladded models

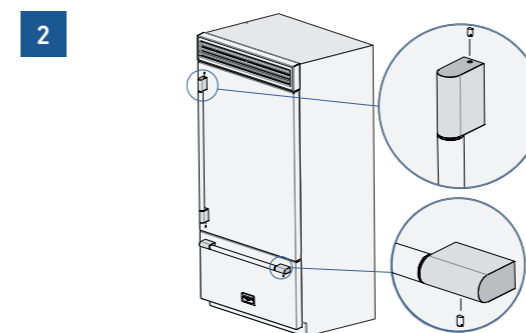
To mount the handles onto the door and the drawer operate as follows:

Operate as follows:

> Insert the handle ends onto the supports already installed on the door and the drawer [1].



> Screw in the set screws available on the handle [2].



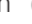
The screws must be tightened in by means of a 2.5 mm (1/8") hex key or driver. It is recommended to use a thread-locking compound on the set screws to ensure they do not loosen over time / use.

Warranty does not cover re-installation of handles that are coming loose or come off or any subsequent damage since they are the responsibility of the installer / owner to ensure proper installation.

7.4 Post installation checklist

- Check that the front levelling feet have been properly installed.
- Check that the connection to the water system does not have any leaks and that the shut-off valve is easily accessible.
- Check that the electrical connection is correctly installed and that the socket and / or breaker are easily accessible.
- Check the perfect alignment of the appliance with adjacent structures.
- Check that all adhesive tape and external or internal temporary protective devices have been removed.
- Check the perfect closing of the doors and the smooth sliding of the drawers and shelves.


7.5 Start up

> To turn on all the appliance compartments, press the Unit  button for three seconds. The display will show the message "Initial test" for approximately 2 minutes. After this phase the compressors will start up and remain on until the compartment set temperatures are achieved.

> If the appliance is provided with an Ice Maker, prior to switching it on make sure that the water filter cartridge is installed (unless water supply source is already filtered by other means such as reverse osmosis).



> Purge air from the water lines by performing the 'Manual Clean'. You may need to complete this sequence several times until you stop hearing air sputtering from the ice maker fill tube (Refer to your Use & Care Manual).

> Once you are satisfied that the system is purged of air switch the Ice Maker on in the ice maker menu item  of the appliance functions. Please refer to the Use & Care Manual for more details.

> For further information about the appliance operation, refer to the User Manual.



If at the first start messages appear, such as Fridge too warm, Freezer too warm, or sound signals are activated, it means that the appliance has already previously started the cooling process.

If this is the case, deactivate any possible acoustic signals by pressing the Alarm button, close the door and wait until the set temperature is reached. Allow the appliance to run / cool for at least 24 hours. If the set temperatures have not been achieved by 24 hours contact service.



It is necessary to let the unit reach the correct temperature before foods are stored inside. Some features (such as the ice maker) may be grayed out or unable to be enabled until the appliance has reached its set temperatures.

Fulgor Milano is constantly researching new ways to improve the features and the design of their products, therefore models are often upgraded and revised and may not always appear as illustrated.

1 INDICATIONS IMPORTANTES	2
1.1 Indications importantes concernant la sécurité.....	2
1.2 Pour la sécurité des enfants.....	2
2 CARACTÉRISTIQUES TECHNIQUES	3
2.1 Caractéristiques de l'appareil et conditions requises pour l'installation.....	3
2.2 Caractéristiques de la niche d'installation: colonnes encastrables.....	4
2.3 Caractéristiques de la niche d'installation: produits encastrables.....	6
2.4 Caractéristiques de la niche d'installation: colonnes encastrables avec porte inox.....	8
2.5 Caractéristiques de la niche d'installation: Stainless exterior Pro (standard nord-américaine).....	10
2.6 Caractéristiques de la niche d'installation: Stainless exterior Pro (standard européenne).....	12
3 PRÉPARATION À L'INSTALLATION	16
3.1 Transport sur le lieu d'installation et déballage.....	16
3.2 Raccordements électrique et hydraulique.....	16
3.3 Énergies renouvelables et systèmes domotique.....	17
3.4 Mise à niveau.....	18
4 DIMENSIONS DE LA NICHE D'ENCASTREMENT	19
4.1 Niche d'encastrement pour installation combinée (pour tous les modèles sauf XPRO).....	19
5 MONTAGE DES PANNEAUX	20
5.1 Préparation des panneaux décoratifs pour la porte.....	20
5.2 Préparation des panneaux décoratifs pour Réfrigérateur avec un Grand bac.....	22
5.3 Préparation des panneaux décoratifs pour Réfrigérateur avec porte vitrée et un Grand bac.....	23
5.4 Préparation des panneaux décoratifs pour Réfrigérateur Column.....	24
5.5 Préparation des panneaux décoratifs pour Réfrigérateur Column avec porte vitrée.....	25
5.6 Dimensions des panneaux - Modèles avec un Grand bac.....	26
5.7 Dimensions des panneaux - Modèles Column.....	27
5.8 Fixation des panneaux à la porte.....	28
5.9 Fixation des panneaux à la porte et au Grand bac.....	28
5.10 Panneau de 1/8" en option pour une installation à plusieurs unités.....	28
6 INSTALLATION: MODÈLES AVEC COMPRESSEURS EN DESSOUS	31
6.1 Encastrement appareil unique.....	31
6.2 Encastrement combinaison de deux appareils.....	31
6.3 Profondeur maximale structure au-dessus du réfrigérateur encastrable à porte unique.....	36
7 ACHÈVEMENT DE L'INSTALLATION	37
7.1 Montage de la sécurité anti-renversement.....	37
7.2 Circulation de l'air.....	38
7.3 Montage des poignées sur le devant inoxydable.....	39
7.4 Liste de contrôle de fin d'installation.....	39
7.5 Mise en marche.....	39

1.1 Indications importantes concernant la sécurité

Symboles utilisés dans le manuel:



Note

Conseils pour une correcte utilisation de l'appareil



Important

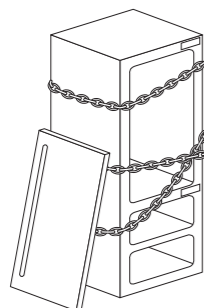
Indications afin d'éviter tout endommagement de l'appareil



Attention

Indications afin d'éviter toute lésion aux personnes

1.2 Pour la sécurité des enfants



DANGER: Risque d'enfermement pour les enfants.
Avant de jeter un vieux réfrigérateur ou congélateur:

- > Retirer les portes;
- > Coupez le cordon d'alimentation et jetez-le séparément;
- > Laisser les étagères en place afin d'empêcher que des enfants grimpent dedans.



Les dimensions entre parenthèses sont en pouces.

Les poids entre parenthèses sont en livres: kg(lb).

Les températures entre parenthèses sont en °F: °C (°F).

2.1 Caractéristiques de l'appareil et conditions requises pour l'installation

Poids avec emballage	Modèle 18" max 150 kg (331 lb) Modèle 24" max 170 kg (375 lb) Modèle 30" max 190 kg (419 lb) Modèle 36" max 200 kg (441 lb)
Tension d'alimentation	AC 110 - 120V 60Hz
Câble d'alimentation	90° Nema 5-15P
Disjoncteur dévoué	15A
Pression d'alimentation de l'eau potable	de 0.05 MPa à 0.5 MPa (0.5 Bar - 5 Bar)
Tuyau d'alimentation de l'eau	NPT 3/4" (adaptateur coudé de 1/4" inclus)
Équipement nécessaire	<ul style="list-style-type: none"> - Kit anti-renversement - Kit de raccordement latérale (10 pièces blancs) - Kit fixation des panneaux (le cas échéant) - Kit d'installation du filtre à eau (le cas échéant) - Clé à six pans de 4 mm (1/8")

Réglage de la hauteur des rouleaux arrière

- Tournevis cruciforme
- Perceuse à bois
- Pointe pour bois de 2.5 mm (1/8")
- Pointe pour mur de 8 mm (3/8")
- Pointe pour mur de 10 mm (3/8")
- Clé ouverte de 17 mm (11/16")
- Clé ouverte de 19 mm (3/4")
- Douille de 13 mm (1/2") pour régler les pieds de nivellement arrière
- Clé hexagonale de 2,5 mm pour installation des poignées

Accessoire

- Kit de nettoyage

2.2 Caractéristiques de la niche d'installation: colonnes encastrables

A Hauteur de la niche d'encastrement

2134 mm (84")

Largeur de la niche d'encastrement

Modèle 36": 914 mm (36")

Modèle 30": 762 mm (30")

Modèle 24": 610 mm (24")

Modèle 18": 457 mm (18")

Profondeur minimale de la niche d'encastrement

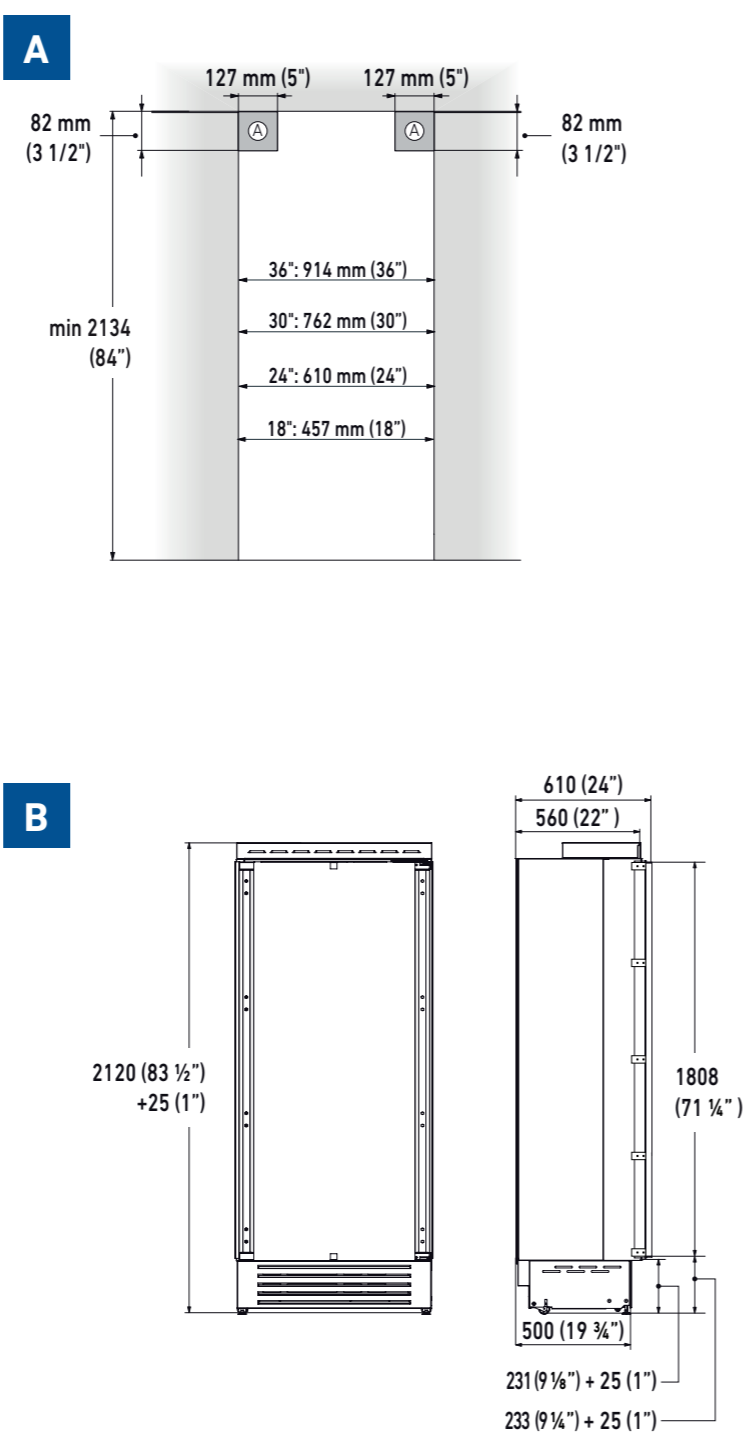
610 mm (24") + Épaisseur du panneau pour une installation affleurante

Espace à réserver aux équerres anti-renversement

127 mm (5") pour les côtés droit et gauche

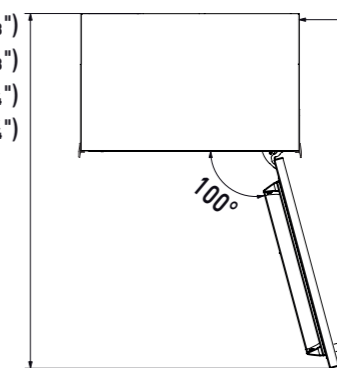
B Hauteur de l'appareil

2120 mm (83 1/2") + 25 mm (1")



Encombrement avec porte ouverte

36" model: 1489 mm (58 5/8")
 30" model: 1338 mm (52 5/8")
 24" model: 1187 mm (46 3/4")
 18" model: 1036 mm (40 3/4")



Distance minimale du mur (côté de la charnière)

36" model: 158 mm (6 1/4")
 30" model: 132 mm (5 1/4")
 24" model: 108 mm (4 1/4")
 18" model: 82 mm (3 1/4")

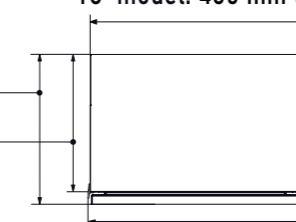
! Ouverture de porte à 90° disponible en utilisant la pièce 90STOP

36" model: 885 mm (34 7/8")
 30" model: 735 mm (28 7/8")
 24" model: 585 mm (23")
 18" model: 435 mm (17 1/8")

Largeur du corps de l'appareil

610 mm (24")

560 mm (22")



36" model: 912 mm (35 7/8")
 30" model: 760 mm (29 7/8")
 24" model: 608 mm (23 7/8")
 18" model: 455 mm (17 7/8")

Largeur de l'appareil avec les supports de montage installés (largeur efficace)

2.3 Caractéristiques de la niche d'installation: produits encastrables avec congélateur inférieur

A Hauteur de la niche d'encastrement

2134 mm (84")

Largeur de la niche d'encastrement

Modèle 36": 914 mm (36")

Modèle 30": 762 mm (30")

Modèle 24": 610 mm (24")

Profondeur minimale de la niche d'encastrement

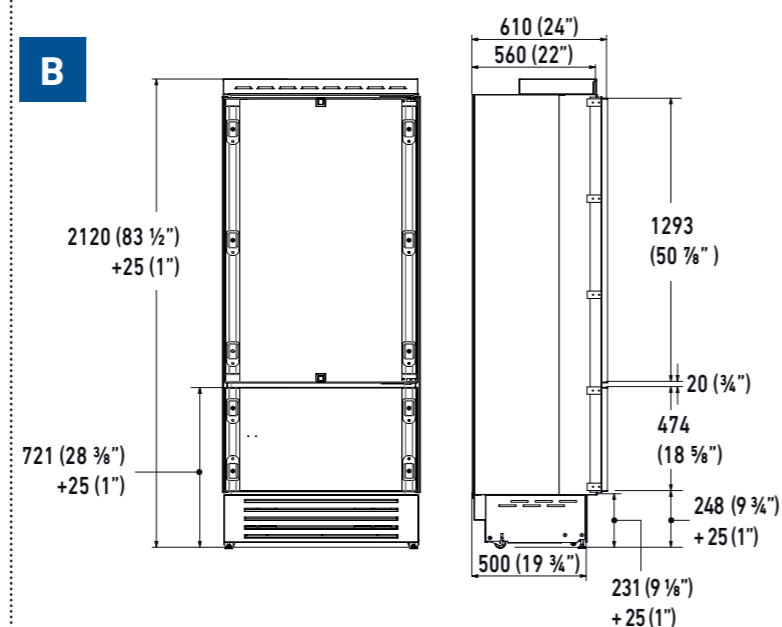
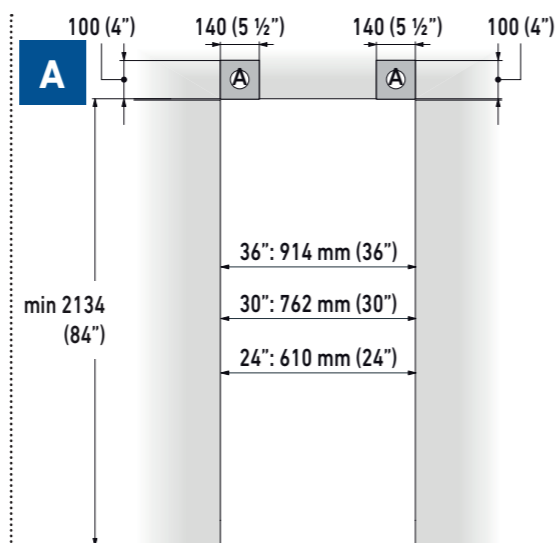
610 mm (24") + Épaisseur du panneau pour une installation affleurante

Espace à réserver aux équerres anti-renversement

127 mm (5") pour les côtés droit et gauche

B Hauteur de l'appareil

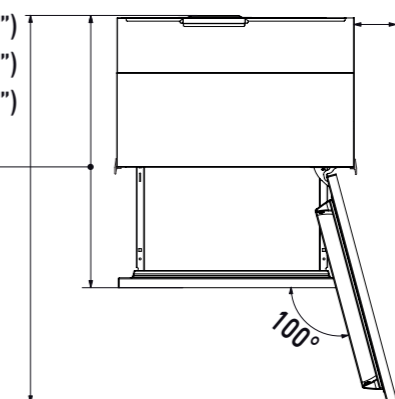
2120 mm (83 1/2") + 25 mm (1")



Encombrement avec porte ouverte

36" model: 1489 mm (58 5/8")
30" model: 1338 mm (52 5/8")
24" model: 1187 mm (46 3/4")

992 (39")



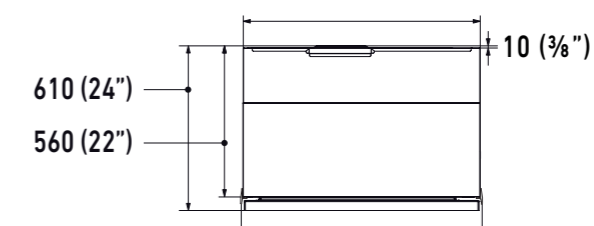
Distance minimale du mur (côté de la charnière)

36" model: 160 mm
30" model: 125 mm
24" model: 90 mm

! Ouverture de porte à 90° disponible en utilisant la pièce 90STOP

36" model: 885 mm (34 7/8")
30" model: 735 mm (28 7/8")
24" model: 585 mm (23")

Largeur du corps de l'appareil



36" model: 912 mm (35 7/8")
30" model: 760 mm (29 7/8")
24" model: 608 mm (23 7/8")

Largeur de l'appareil avec les supports de montage installés (largeur efficace)

2.4 Caractéristiques de la niche d'installation: colonnes encastrables avec porte inox

A Hauteur de la niche d'encastrement

2134 mm (84")

Largeur de la niche d'encastrement

Modèle 36": 914 mm (36")

Modèle 30": 762 mm (30")

Modèle 24": 610 mm (24")

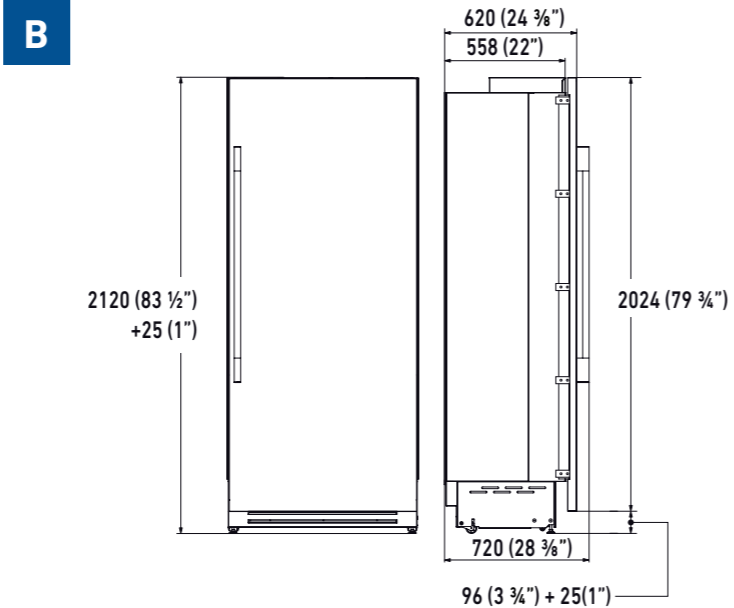
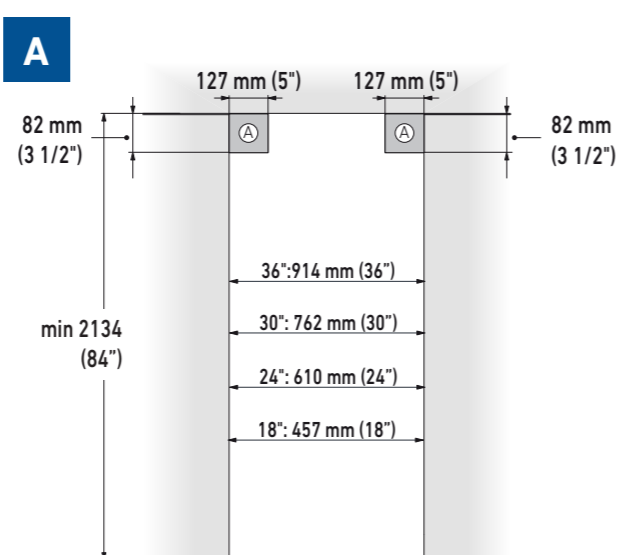
Modèle 18": 457 mm (18")

Profondeur minimale de la niche d'encastrement

630 mm (24 3/4")

Espace à réserver aux équerres anti-renversement

127 mm (5") pour les côtés droit et gauche



B Hauteur de l'appareil

2120 mm (83 1/2") + 25 mm (1")

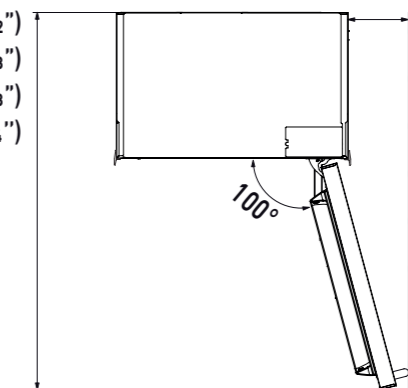
Encombrement avec porte ouverte

36" model: 1487 mm (58 1/2")

30" model: 1336 mm (52 5/8")

24" model: 1185 mm (46 5/8")

18" model: 1034 mm (40 3/4")



Distance minimale du mur (côté de la charnière)

36" model: 139 mm (5 1/2")

30" model: 103 mm (4 1/8")

24" model: 89 mm (3 1/2")

18" model: 63 mm (2 1/2")

! Ouverture de porte à 90° disponible en utilisant la pièce 90STOP

36" model: 885 mm (34 7/8")

30" model: 735 mm (28 7/8")

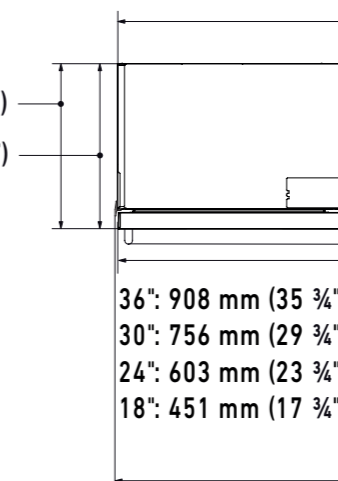
24" model: 585 mm (23")

18" model: 435 mm (17 1/8")

Largeur du corps de l'appareil

620 (24 3/8")

558 (22")



68 (2 3/4")

36": 908 mm (35 3/4")

30": 756 mm (29 3/4")

24": 603 mm (23 3/4")

18": 451 mm (17 3/4")

Largeur de la porte revêtue

36" model: 912 mm (35 7/8")

30" model: 760 mm (29 7/8")

24" model: 608 mm (23 7/8")

18" model: 455 mm (17 7/8")

Largeur de l'appareil avec les supports de montage installés (largeur efficace)

2.5 Caractéristiques de la niche d'installation: Stainless exterior Pro (Largeur de la niche standard nord-américaine)

A Hauteur de l'encastrement

2134 mm (84")

Largeur de l'encastrement

Modèle 36": 914 mm (36")

Modèle 30": 762 mm (30")

Modèle 24": 610 mm (24")

Profondeur avec la porte

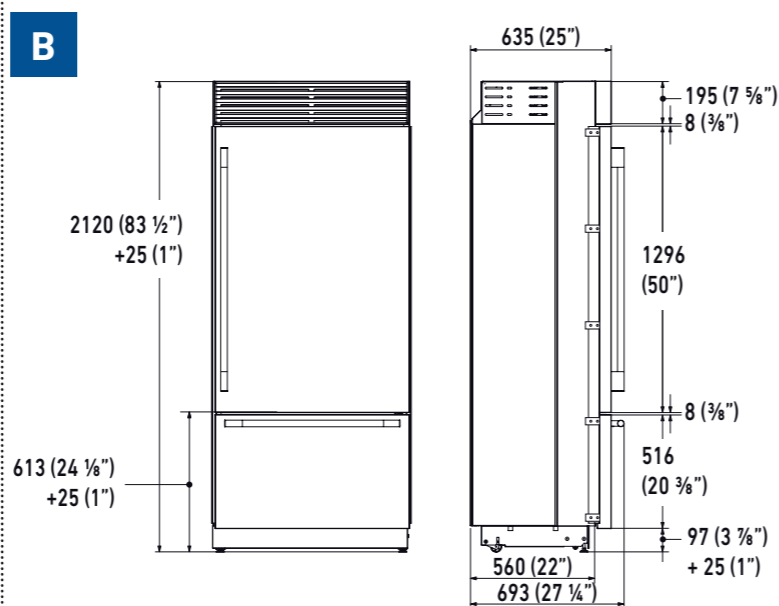
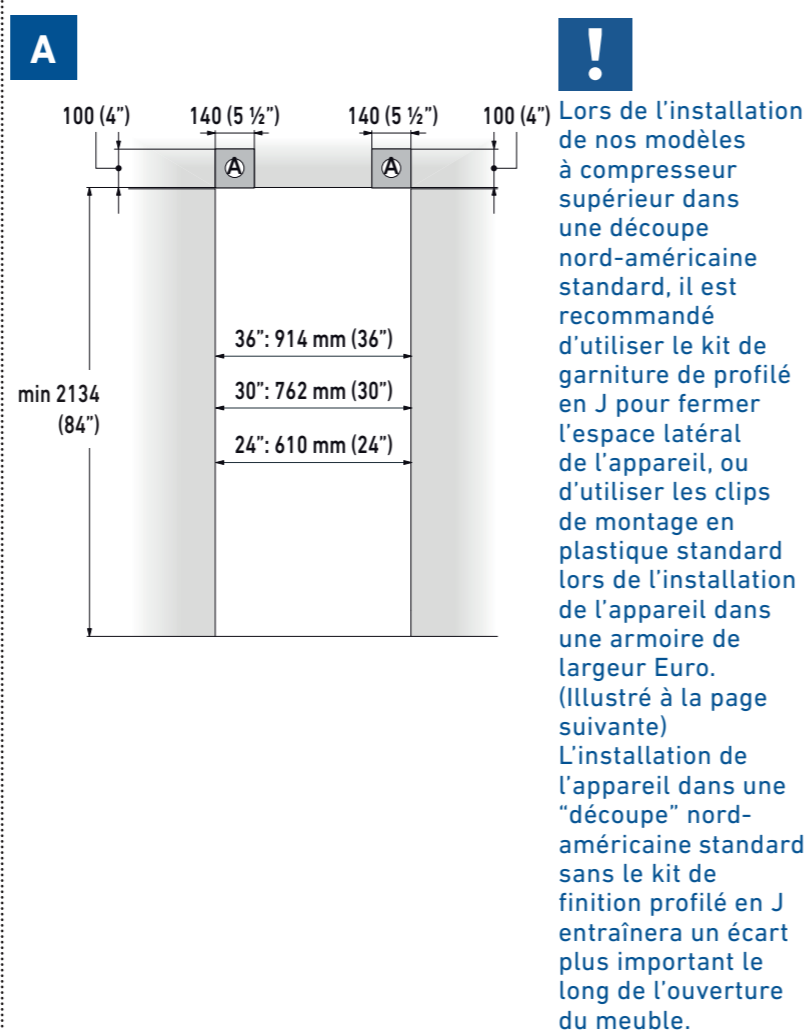
635 mm (25")

Espace à réserver aux équerres anti-renversement

127 mm (5") pour les côtés droit et gauche

B Hauteur de l'appareil

2120 mm (83 1/2") + 25 mm (1")



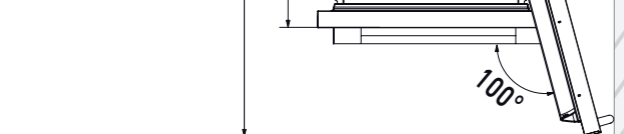
Encombrement avec porte ouverte

36" model: 1470 mm (57 7/8")

30" model: 1320 mm (52")

24" model: 1170 mm (46")

1016 mm (40")



Distance minimale du mur (côté de la charnière)

36" model: 230 mm (9")

30" model: 195 mm (7 3/4")

24" model: 160 mm (6 1/4")

36" model: 914 mm (36")

30" model: 762 mm (30")

24" model: 610 mm (24")

Largeur du corps de l'appareil

635 mm (25")

560 mm (22")

75 mm (3")

58 mm (2 1/4")

Largeur de la porte revêtue

36": 880 mm (34 5/8")

30": 730 mm (28 3/4")

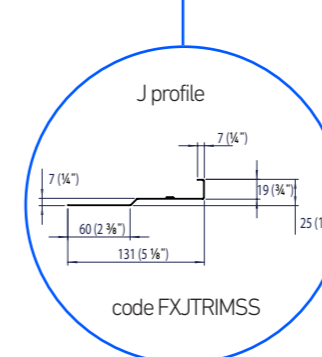
24": 580 mm (22 7/8")

Largeur de l'appareil avec les supports de montage installés (largeur efficace)

36" model: 935 mm (36 3/4")

30" model: 785 mm (30 7/8")

24" model: 635 mm (25")



2.6 Caractéristiques de la niche d'installation: Stainless exterior Pro (Largeur de la niche standard européenne)

A Hauteur de l'encastrement

2134 mm (84")

Largeur de l'encastrement

Modèle 36": 900 mm (35 1/2")

Modèle 30": 750 mm (29 5/8")

Modèle 24": 600 mm (23 3/4")

Profondeur avec la porte

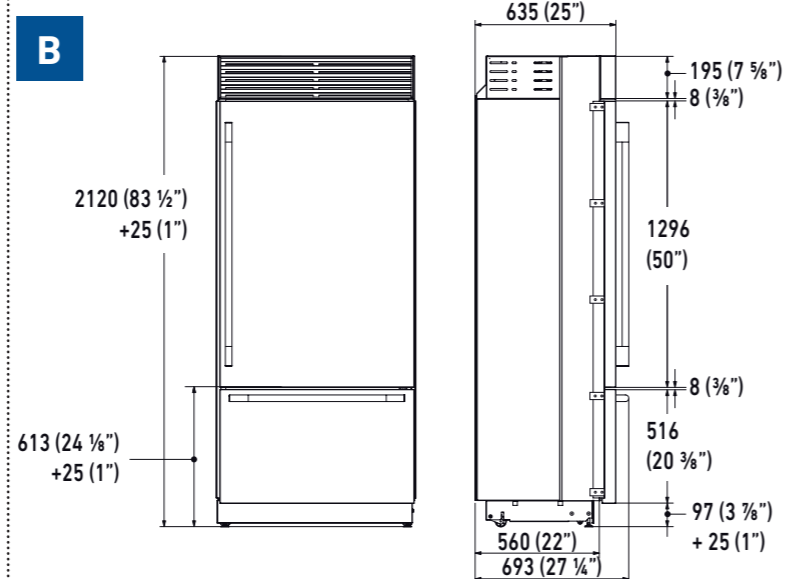
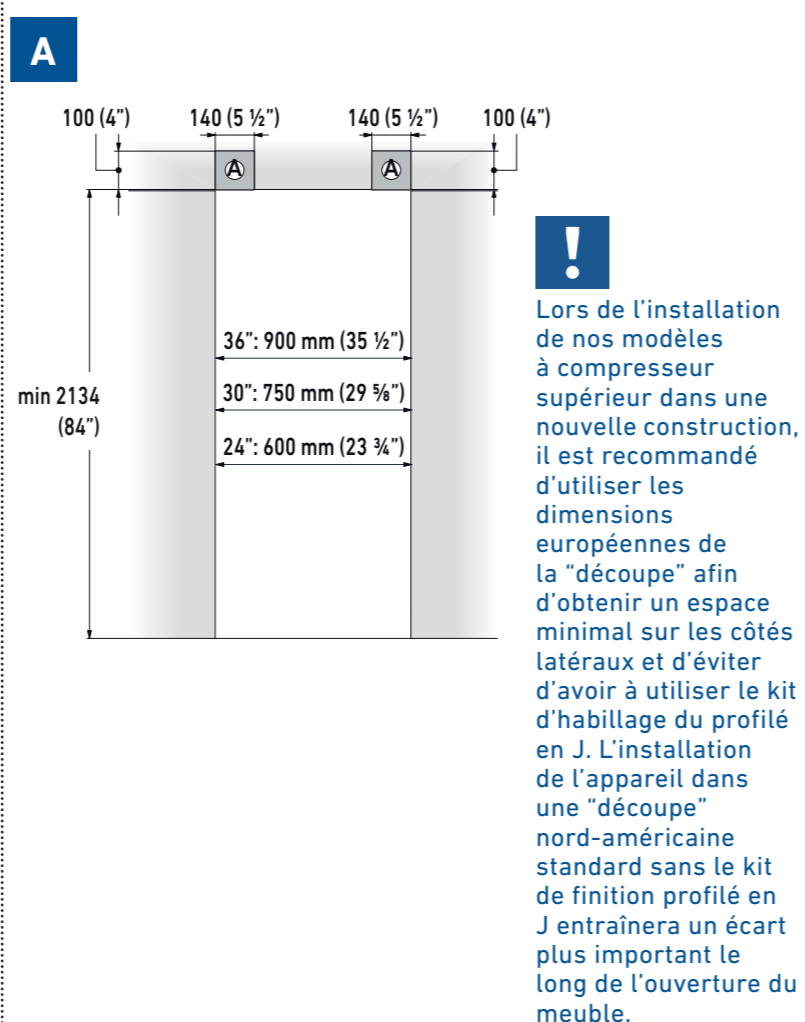
635 mm (25")

Espace à réserver aux équerres anti-renversement

127 mm (5") pour les côtés droit et gauche

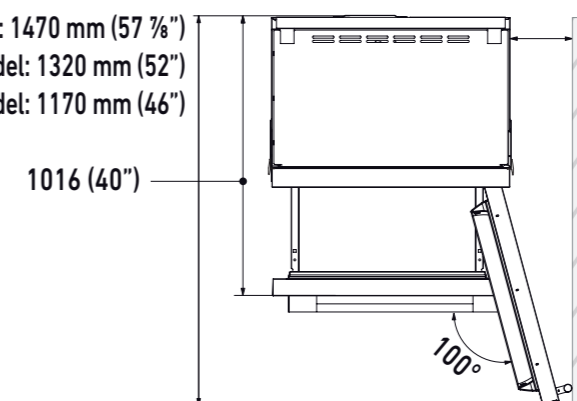
B Hauteur de l'appareil

2120 mm (83 1/2") + 25 mm (1")



Encombrement avec porte ouverte

36" model: 1470 mm (57 7/8")
30" model: 1320 mm (52")
24" model: 1170 mm (46")

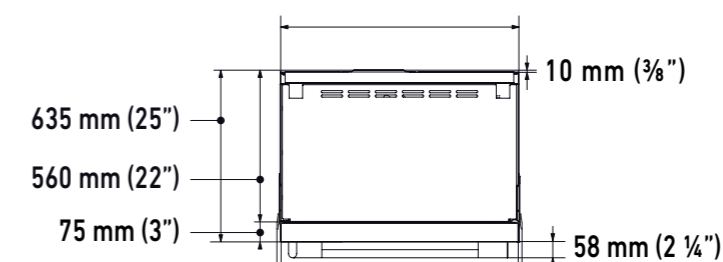


Distance minimale du mur (côté de la charnière)

36" model: 230 mm (9")
30" model: 195 mm (7 3/4")
24" model: 160 mm (6 1/4")

36" model: 885 mm (34 7/8")
30" model: 735 mm (28 7/8")
24" model: 585 mm (23")

Largeur du corps de l'appareil



36": 880mm(34 5/8")
30": 730mm(28 3/4")
24": 580mm(22 7/8")

Largeur de la porte revêtue

36" model: 898 mm (36 3/8")
30" model: 748 mm (29 1/2")
24" model: 588 mm (23 1/8")

Largeur de l'appareil avec les supports de montage installés (largeur efficace)

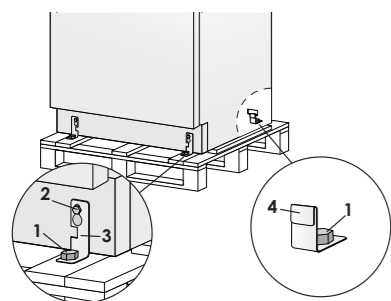
3.1 Transport sur le lieu d'installation et déballage



L'appareil est très lourd et peut avoir le barycentre dans la partie supérieure. Faire très attention durant la manipulation afin d'éviter tout risque de blessures.



Transporter l'appareil en position verticale. Éviter de manière absolue le transport sur la partie frontale.



S'agissant d'un appareil lourd et de grandes dimensions, avant de transporter l'appareil, s'informer sur les modalités d'accès au lieu où il sera installé (dimensions des portes, espaces de mouvement dans les escaliers, etc.). L'appareil est fixé à la base de l'emballage (palette) moyennant quatre boulons amovibles avec une clé de 19 mm (3/4").

Il est conseillé d'utiliser un transporteur manuel pour manutentionner l'appareil jusqu'à la zone où celui-ci sera installé et seulement alors retirer la base de l'emballage. L'appareil devrait toujours être transporté en position verticale. Si cela n'est pas possible, transporter l'appareil couché sur le dos. Une fois que l'on a atteint la zone prévue pour l'installation, enlever les emballages, faire descendre l'appareil de la palette emballages et faire descendre l'appareil de la palette.

Intervenir de la manière suivante:

- > Enlever les quatre boulons [1] qui fixent l'appareil à la palette en utilisant une clé ouverte de 19 mm (3/4").
- > Retirer les crochets de fixation [3] et [4].
- > Pour libérer le support de fixation avant [3], desserrer le boulon de réglage [2] des roues arrière au moyen d'une clé ou douille de 13 mm (1/2"). Éviter de forcer ce boulon dans son point de butée dans un sens ou dans l'autre afin d'éviter d'endommager le système de nivelage arrière.
- S'assurer que les pieds de nivellement avant sont rentrés afin que les 4 roues soient en contact avec le sol, pour faciliter toute manoeuvre.
- > De l'arrière ou côté de l'unité et au moyen d'un

chariot diable de caractéristiques appropriées, retirer l'appareil et le poser sur le sol. Faire très attention afin d'éviter tout dommage au sol. Il faut protéger les sols particulièrement délicats avec de carton rigide ou un contreplaqué.

> À ce stade, réglez les roulettes arrière vers le bas (dans le sens des aiguilles d'une montre sur la tige de nivellement [2]) jusqu'à ce qu'elles entrent en contact avec le sol et soulevez suffisamment l'arrière de l'appareil pour qu'il puisse rouler librement.

3.2 Raccordements électrique et hydraulique



El filtro de agua suministrado no puede hacer que sea seguro beber agua que no sea apta para el consumo humano.

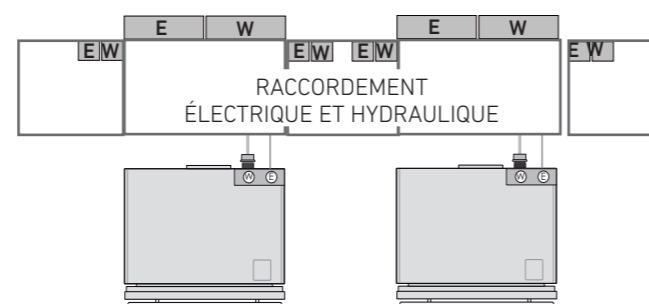


L'appareil doit être raccorder uniquement au système d'eau destinée à la consommation alimentaire.



Ne pas utiliser de rallonges électriques ou des adaptateurs. Une fois l'appareil complètement installé, raccordé au réseau de l'eau (le cas échéant), et opérationnel, en cas de nécessité de couper l'alimentation d'eau, désactiver la fabrique à glaçons avant de fermer la conduite principale, afin d'éviter que se déclenche l'état d'alarme « NO WATER IN » (Absence d'eau) sur l'appareil. Reportez-vous au manuel d'utilisation et d'entretien pour savoir comment désactiver la machine à glaçons.

• VUE DE DESSUS •



Raccordements électriques ou hydrauliques situés directement derrière l'appareil doit être encastré. Ne pas mettre le robinet d'arrêt d'eau valve directement derrière l'appareil. Il devrait être dans un endroit accessible.

Les appareils sont livrés de l'usine pour une tension de secteur de 110V-120V AC - 60 Hz (États-Unis et Canada).

Ils sont fournis avec un câble d'alimentation approprié et une fiche pour être connectés à une prise de 15 A assurant une mise à la terre efficace.

Il est recommandé d'installer un disjoncteur dédié de 15 A, facilement accessible, afin qu'il puisse être désactivé sans problèmes en cas d'opérations d'installation ou d'entretien.

Pour le raccordement au réseau de l'eau (en cas d'appareils équipés de fabrique à glaçons) une ligne d'eau de 1/4" avec une soupape de fermeture accessible doit être fournie.

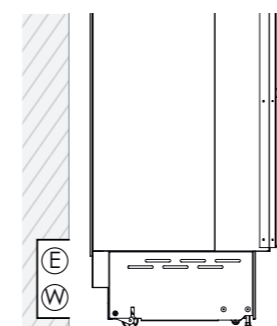
L'appareil est livré avec un adaptateur coudé pour l'alimentation en eau, adapté à la pression recommandée de l'eau et conforme aux réglementations applicables en matière d'aliments et d'eau. La cartouche filtrante de l'eau, fournie avec l'appareil, doit être installée suivant les instructions qui l'accompagnent. Le raccordement solénoïde à l'appareil a un diamètre de 3/4", mais avec filetage métrique (NPT). Le connecteur fileté d'un tuyau d'arrosage standard ainsi qu'un tuyau en acier inox tressé pouvant être acheté dans une normale quincaillerie peuvent éliminer ou endommager les filetages magnétiques. Il est recommandé d'utiliser uniquement l'adaptateur coudé rapide de 1/4" pour le raccordement d'une ligne d'alimentation d'eau à l'appareil de 1/4" en cuivre ou en polyéthylène.



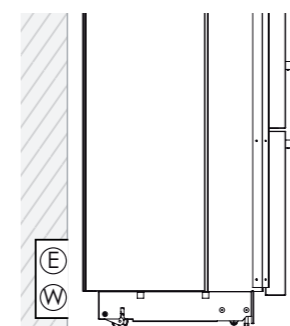
N'utiliser ni rallonges ni adaptateurs multiple pour le branchement.

RACCORDEMENTS ÉLECTRIQUE ET HYDRAULIQUE DERRIÈRE L'UNITÉ

COMPRESSEURS EN DESSOUS



COMPRESSEURS AU-DESSUS



3.3 Énergies renouvelables et systèmes domotique

Si l'alimentation est fournie par une source d'énergie alternative (solaire, géothermique, etc.) ou en cas d'installation de systèmes domotiques avec des signaux porteurs dans les lignes électriques, il peut être nécessaire d'installer un transformateur d'isolement (non fourni) afin de prévenir toute interférence avec le circuit électronique de l'appareil.

COMPRESSEURS EN DESSOUS

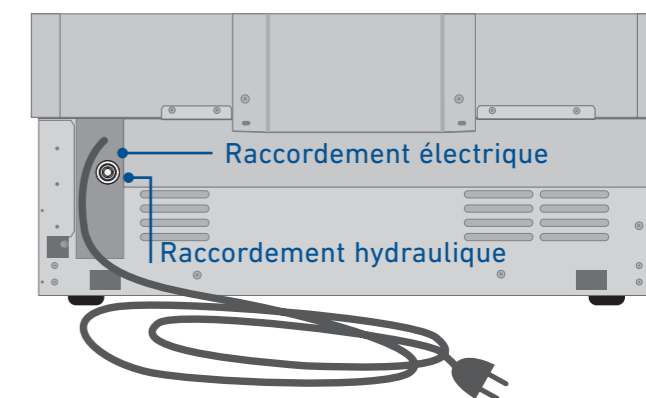
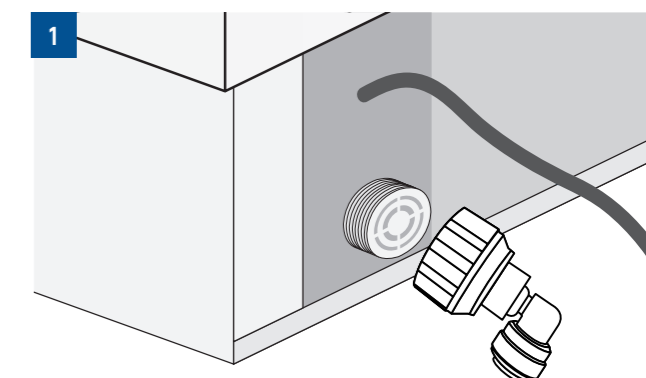


fig.1 Arrière de l'appareil

Intervenir de la manière suivante:

- > Dérouler le câble électrique et le brancher directement à la prise murale.
- > Contrôler que l'appareil soit en stand-by et que les voyants soient éteints; dans le cas contraire, appuyer sur la touche Unit (☺) pour éteindre l'appareil.
- > Raccorder le tuyau de l'eau au réfrigérateur dans la zone arrière [1].



COMPRESSEURS AU-DESSUS:

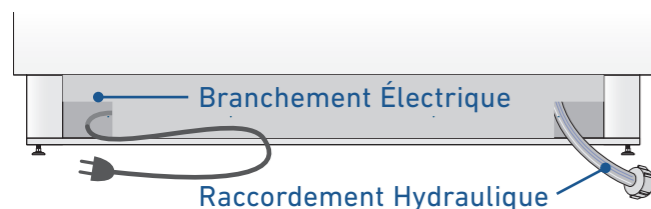


fig.2 Arrière de l'appareil

Intervenir de la manière suivante:

- > Dérouler le câble électrique et le brancher directement à la prise murale.
- > Contrôler que l'appareil soit en stand-by et que les voyants soient éteints; dans le cas contraire, appuyer sur la touche Unit © pour éteindre l'appareil [1].

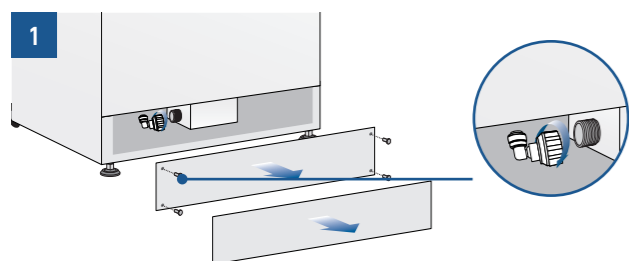
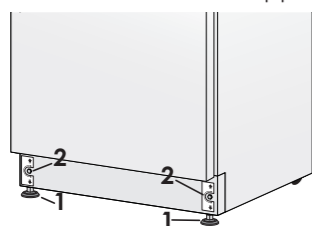


fig.3 Avant de l'appareil

- > Serrez fermement avec les doigts - un outil / une clé ne devrait pas être nécessaire pour faire une bonne étanchéité avec la rondelle en caoutchouc dans l'adaptateur. Ouvrez l'eau et assurez-vous que toutes les connexions ne fuient pas avant de pousser l'appareil dans l'ouverture.

3.4 Mise à niveau

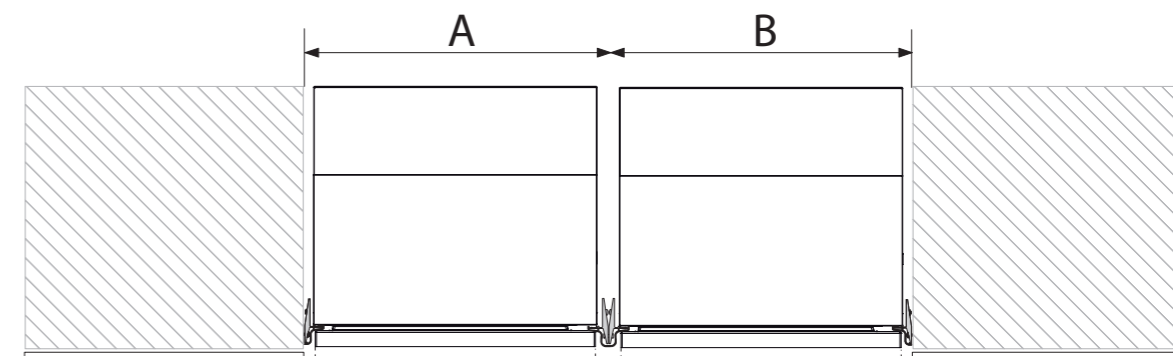
Mettre à niveau l'appareil en réglant les pieds et les roues arrière à la base de l'appareil.



Intervenir de la manière suivante:

- > Si nécessaire, déposer le socle ou la grille inférieure (il est fixé par des aimants), ajuster la hauteur des pieds de nivellement [1] au moyen d'une clé de 17 mm (11/16").
- > Ajuster ensuite la hauteur des roues arrière en tournant les boulons de réglage avant [2] en sens horaire (pour soulever) ou anti-horaire (inférieur), selon le besoin. Faire attention en cas d'utilisation d'une visseuse électrique et réduire la puissance afin d'éviter d'endommager le système de nivellement.
- > Reposer le socle ou la grille inférieure.
- > Si vous avez accidentellement reculé la tige de mise à niveau afin qu'elle soit dégagée du mécanisme de mise à niveau, vous devrez tirer l'appareil vers l'avant pour accéder à l'arrière de la base, localiser l'écrou de blocage qui sera desserré sous l'appareil et re-fileter la tige à travers la plaque de nivellement du mécanisme et réinstallez l'écrou de blocage et réessayez le nivellement.

4.1 Niche d'encastrement pour installation combinée (pour tous les modèles sauf XPro)



ESPACEMENT CORRECT ENTRE LES APPAREILS INDIQUÉ PLUS TARD DANS CE MANUEL.

		A			
		Modèle 18"	Modèle 24"	Modèle 30"	Modèle 36"
B	Modèle 18"	36"(914mm)	42"(1067mm)	48"(1220mm)	54"(1372mm)
	Modèle 24"	42"(1067mm)	48"(1220mm)	54"(1372mm)	60"(1520mm)
	Modèle 30"	48"(1220mm)	54"(1372mm)	60"(1520mm)	66"(1676mm)
	Modèle 36"	54"(1372mm)	60"(1524mm)	66"(1676mm)	72"(1829mm)

- > Exemple : si l'appareil A est de 24" et l'appareil B est de 36", la largeur d'ouverture requise sera de 24"+36"=60"

5.1 Préparation des panneaux décoratifs pour la porte

Les dimensions des panneaux sont indiquées dans le tableau et sur les dessins reportés cidessous.

Selon les exigences d'alignement avec d'autres meubles de la cuisine, le panneau de la porte du réfrigérateur peut être plus haut par rapport à la ligne supérieure de la porte.

Les panneaux sont montés moyennant des brides spéciales qui s'accrochent aux dispositifs de fixation réglables déjà prévus sur porte et grand bac et moyennant des équerres qui bloquent et règlent verticalement le panneau.

Brides, équerres et vis de fixation correspondantes sont fournies avec l'appareil et sont appliquées au panneau en suivant le schéma de perçage reporté ci-dessous ou en utilisant le gabarit de perçage prévu à cet effet et fourni.



Pour les styles de panneaux vibrants ou encadrés, il peut ne pas être possible de fixer les supports de nivellement supérieur ou inférieur à moins que l'ébéniste n'ait prévu leur montage avec un matériau supplémentaire à l'arrière du panneau.

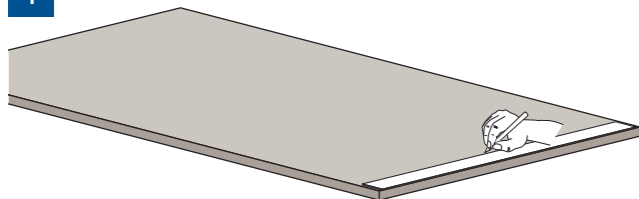
Intervenir de la manière suivante:

Pour appliquer les brides aux panneaux, procéder de la manière suivante. Il est recommandé de monter les équerres avant de monter la poignée.

Panneau de la porte

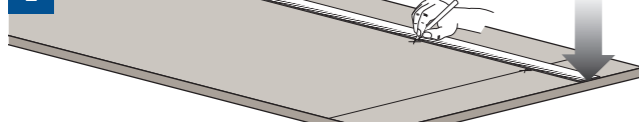
> Tracer une ligne qui divise verticalement le panneau en deux parties égales [1].

1



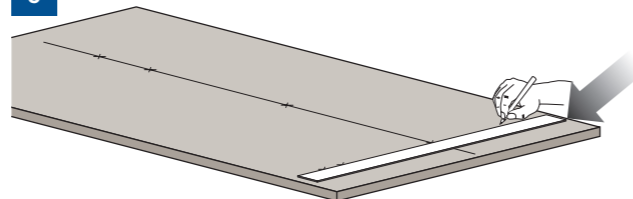
> Partant du bas du panneau, marquer la hauteur à laquelle pratiquer les trous (pour la distance des trous) [2].

2



> Suivre les données du tableau correspondant au modèle choisi, marquer d'abord le trou le plus externe et puis le plus interne [3].

3



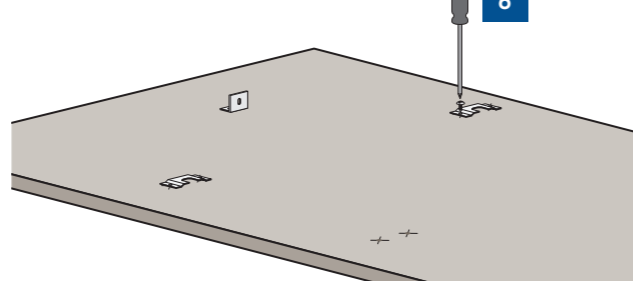
> Positionner les équerres sur chaque série de marques pour vérifier qu'elles sont alignées [4], si on choisi de percer des petits trous de guidage pour les vis, il est recommandé de prêter particulière attention à ne pas traverser complètement l'épaisseur du panneau [5].

4



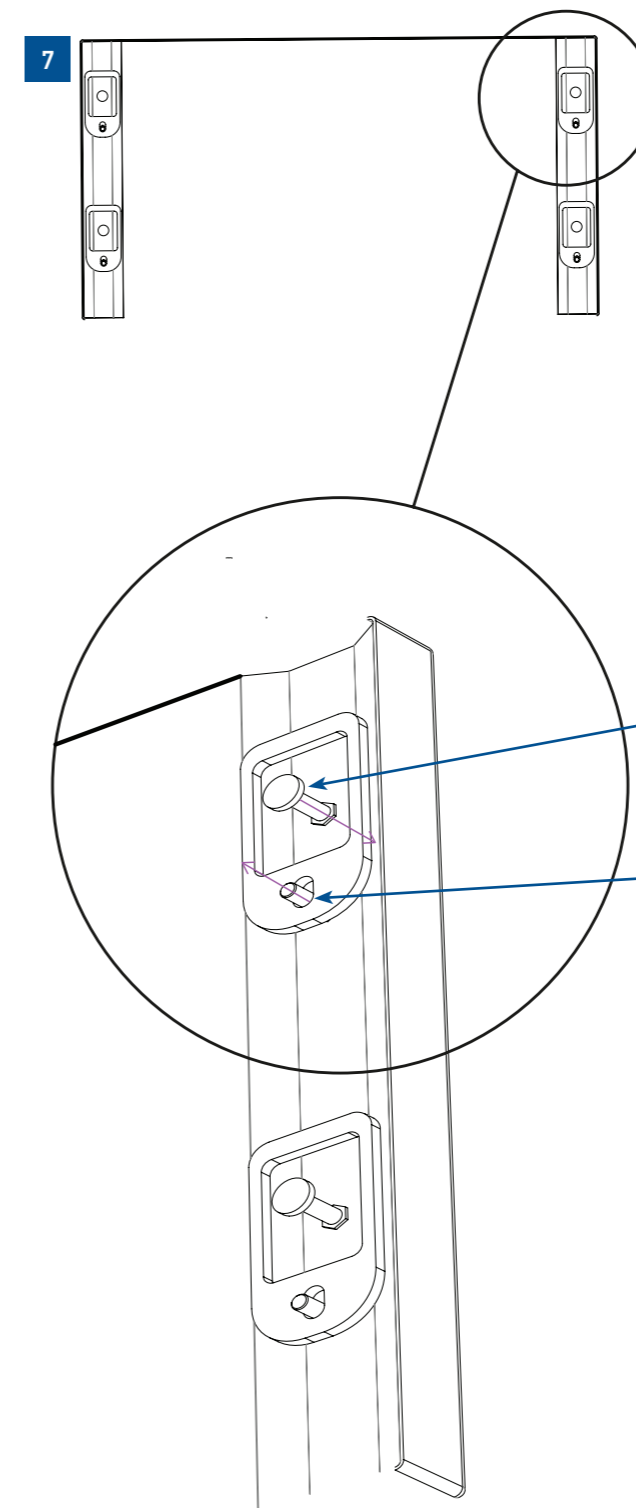
> Visser les équerres [6].

6



> Préparer la porte de l'appareil pour le montage des panneaux en enfilant les boulons à épaulement dans sections encastrées et les vis de pression dans l'autre trou [7]. Vérifier que l'extrémité avec la douille hexagonale est vissée dans la porte et pas dans la partie visible. Visser suffisamment jusqu'à les noyer dans la surface de la porte de l'appareil, afin d'éviter toute interférence avec l'accrochage du panneau. Il sera possible de les ajuster plus tard.

7

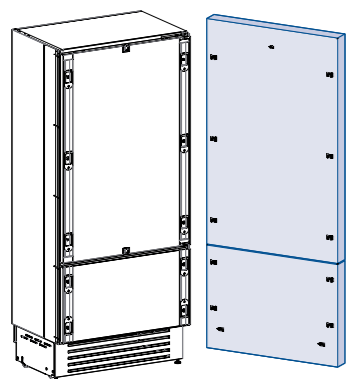


Boulon à épaulement pour accrocher les supports sur et pour tirer le panneau vers l'appareil porte.



Vis de réglage utilisée pour régler la profondeur / la position du panneau et pour exercer une pression opposée à chaque point de fixation pour "verrouiller" le panneau en place.

5.2 Préparation des panneaux décoratifs pour Réfrigérateur avec un Grand bac



	Modèle 36"	Modèle 30"	Modèle 24"
A	908 (35 3/4")	756 (29 3/4")	604 (23-3/4")
B	417 (16 3/8")	342 (13 1/2")	276.5 (10 7/8")
C	354.5 (14")	279.5 (11")	203.5 (8")
D	368 (14 1/4")	302 (11 7/8")	235 (9 1/4")

La dimension « D » représente la zone de sécurité pour les panneaux de style shaker / encadré afin de garantir que les supports de montage peuvent être fixés à une zone du panneau avec suffisamment de matériau pour accepter les vis.

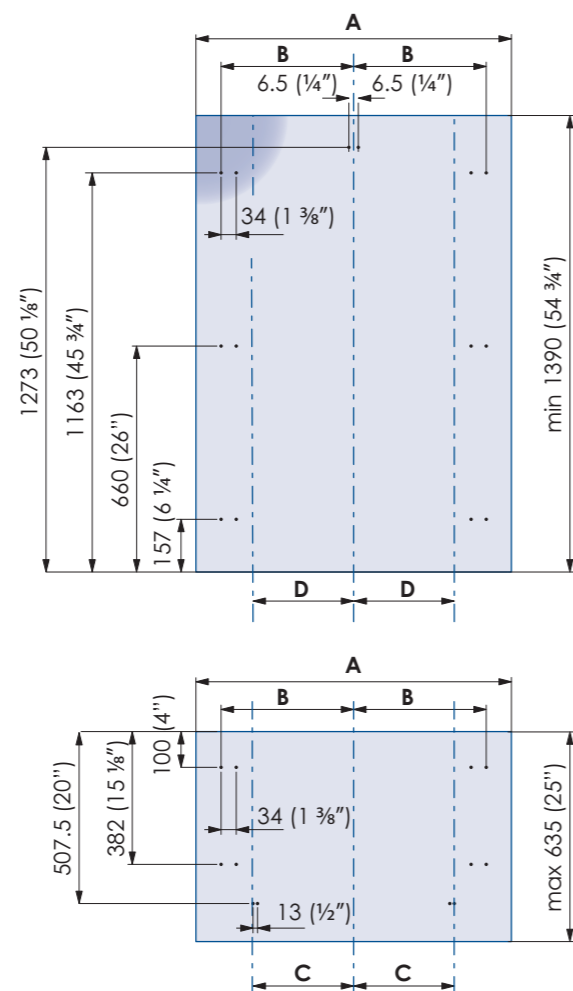
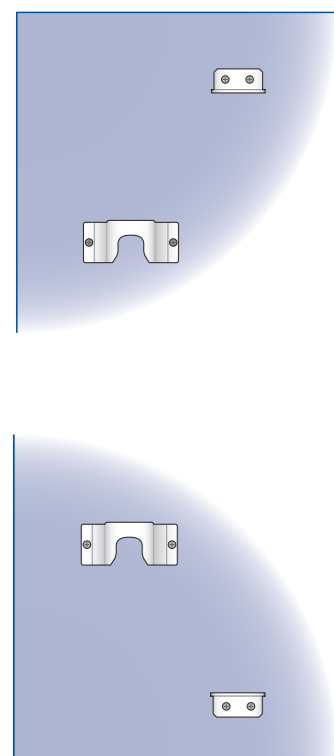
A : Largeur hors tout du panneau

B : Mesure par rapport au trou extérieur du support de suspension

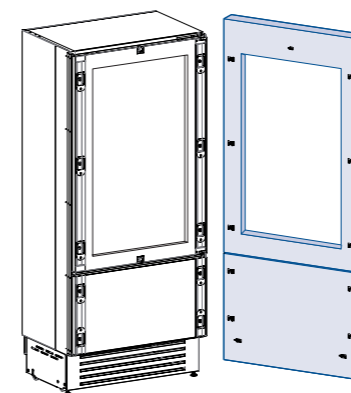
C : Mesure par rapport au trou extérieur du panneau de tiroir Positionnement vertical Support en L

D : Mesure pour désigner la « zone de sécurité »

Positions des trous et orientation du support :



5.3 Préparation des panneaux décoratifs pour Réfrigérateur avec porte vitrée et un Grand bac



	Modèle 24"
A	604 (23-3/4")
B	276.5 (10 7/8")
C	203.5 (8")
D	235 (9 1/4")

La dimension « D » représente la zone de sécurité pour les panneaux de style shaker / encadré afin de garantir que les supports de montage peuvent être fixés à une zone du panneau avec suffisamment de matériau pour accepter les vis.

A : Largeur hors tout du panneau

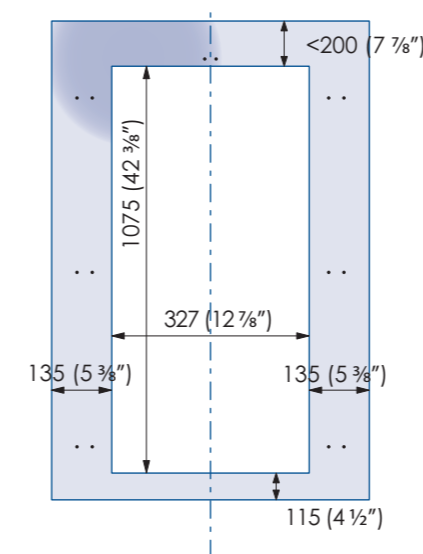
B : Mesure par rapport au trou extérieur du support de suspension

C : Mesure par rapport au trou extérieur du panneau de tiroir Positionnement vertical Support en L

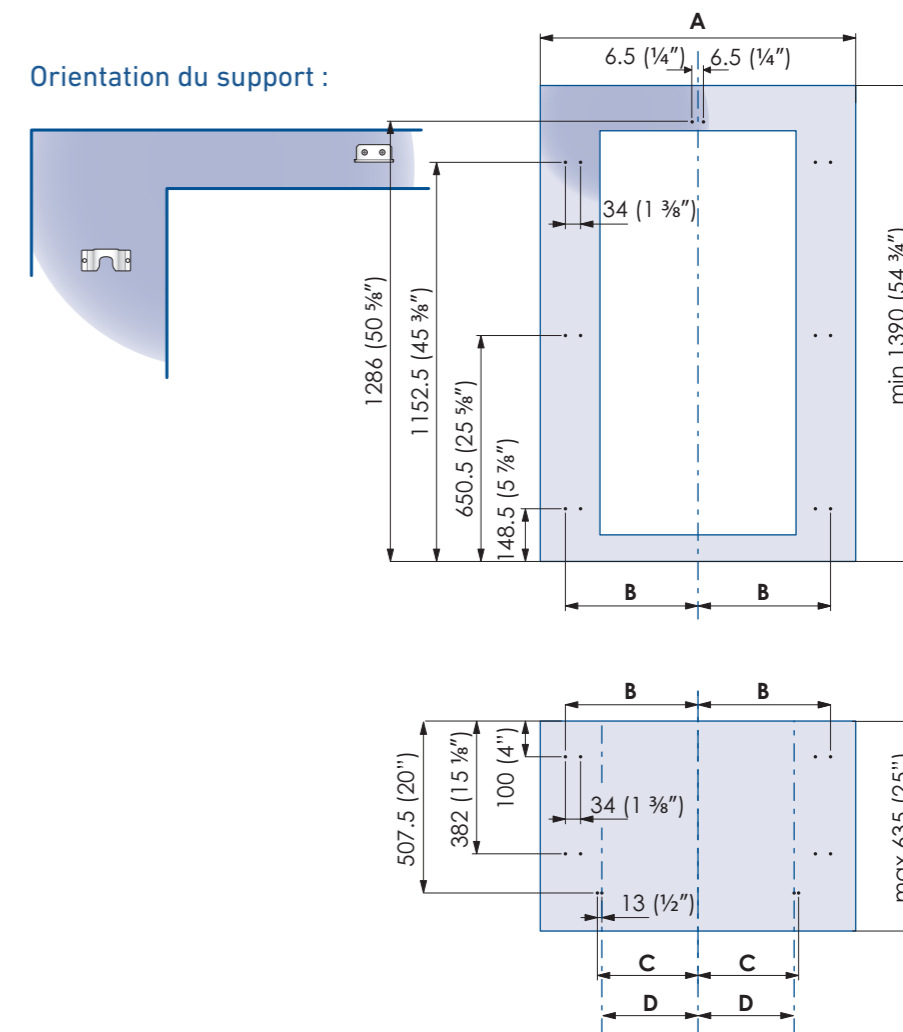
D : Mesure pour désigner la « zone de sécurité »

Positionnement des trous :

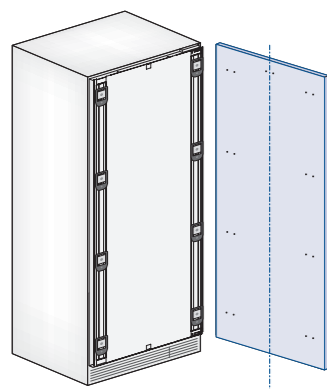
Dimension trou pour porte :



Orientation du support :



5.4 Préparation des panneaux décoratifs pour Réfrigérateur Column

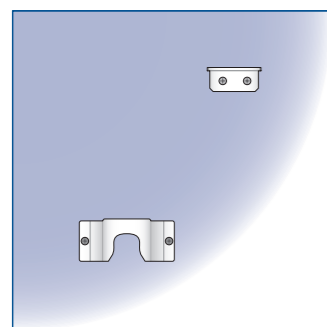


	Modèle 36"	Modèle 30"	Modèle 24"	Modèle 18"
A	908 (35 3/4")	756 (29 3/4")	604 (23 3/4")	451 (17 3/4")
B	418 (16 1/2")	343 (13 1/2")	275 (10 7/8")	200 (7 7/8")
D	368 (14 1/4")	302 (11 7/8")	235 (9 1/4")	158 (6 1/4")

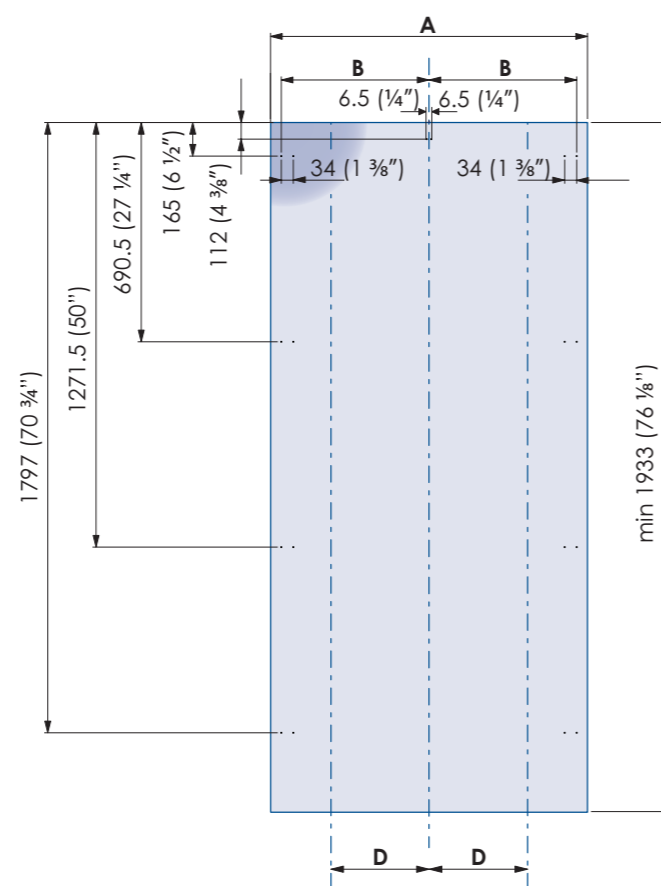


La dimension « D » représente la zone de sécurité pour les panneaux de style shaker / encadré afin de garantir que les supports de montage peuvent être fixés à une zone du panneau avec suffisamment de matériau pour accepter les vis.

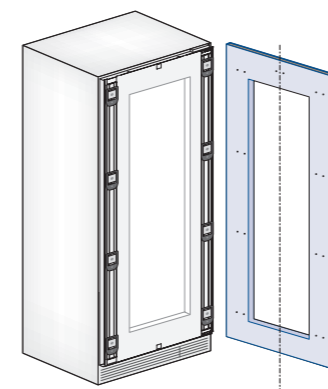
Orientation du support :



Positionnement des trous:

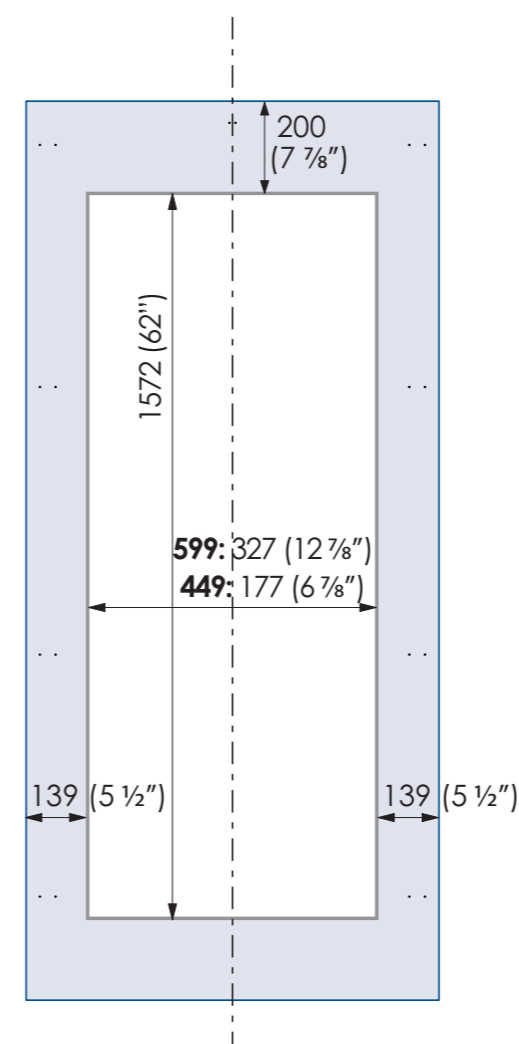


5.5 Préparation des panneaux décoratifs pour Réfrigérateur Column avec porte vitrée

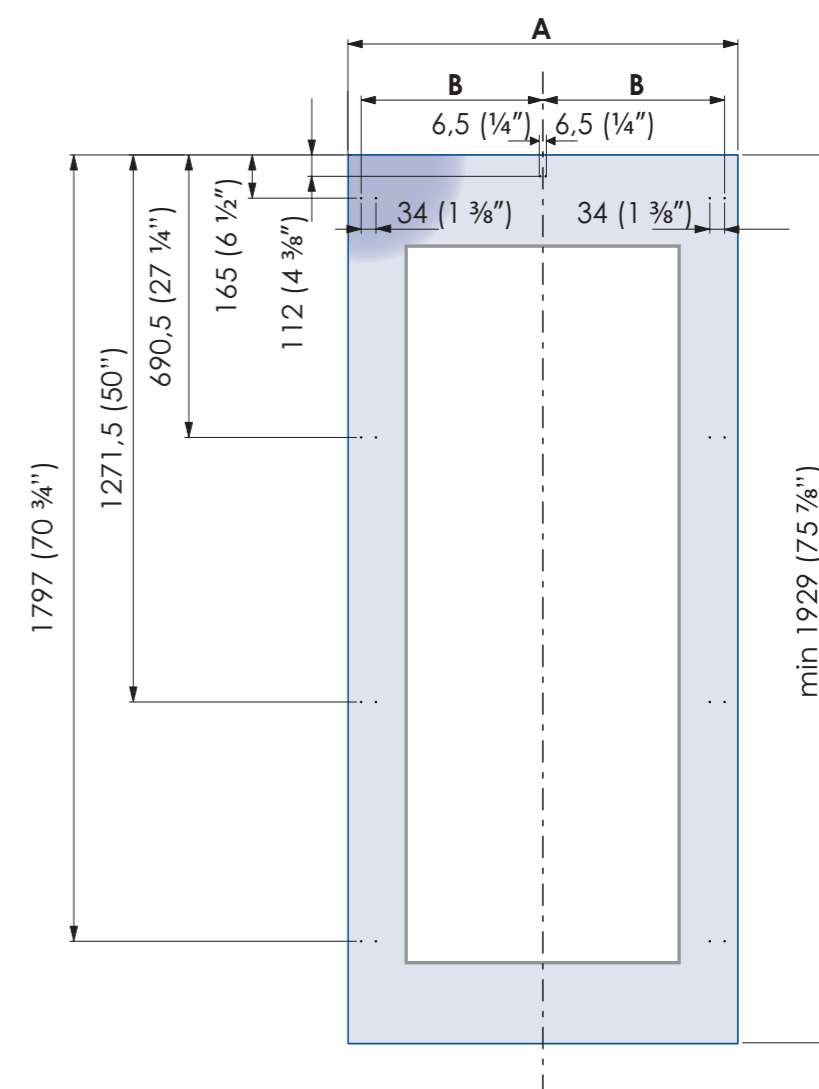


	24"
A	604 (23 3/4")
B	275 (10 7/8")

Dimension trou pour porte:



Positionnement des trous:

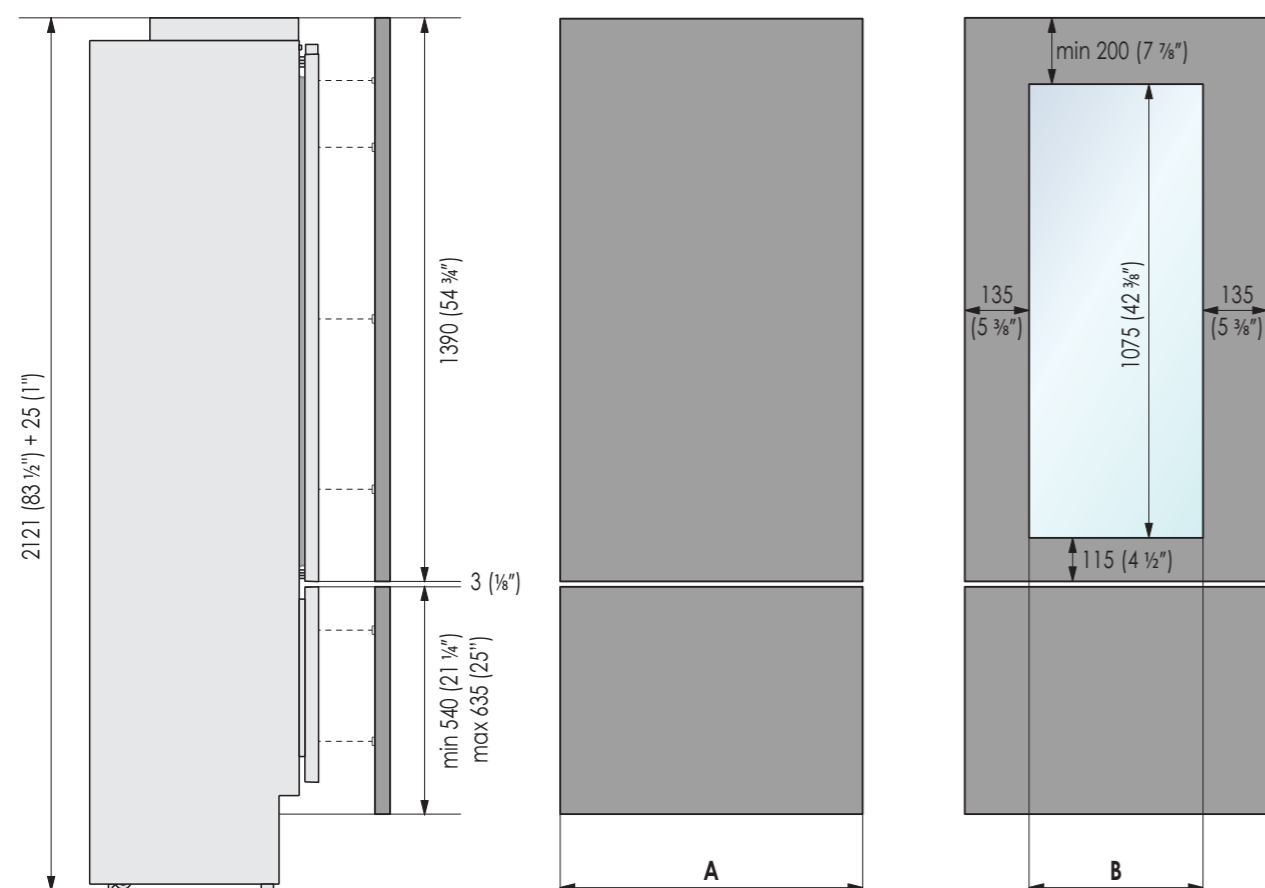


5.6 Dimensions des panneaux - Modèles avec un Grand bac

Il est possible d'utiliser des panneaux avec des épaisseurs allant entre 19 mm (3/4") et 28 mm (1 1/8"). Les panneaux de porte avec un poids max de 34 kg (75 lb). Excéder ces poids pourrait annuler la garantie de tous les problèmes de services qui peuvent être attribués à des panneaux en surpoids.

Le mécanisme de charnière sur les appareils est considéré comme `zéro dégagement`. Les largeurs de portes et de tiroirs spécifiées ci-dessous supposent la largeur de niche minimum est utilisé et une de 3,5 mm (1/8 ") révèlent l'on souhaite autour des panneaux. Ajuster les dimensions de votre écran en fonction de vos propres critères de conception compte tenu de la largeur de votre créneau et votre révèlent. Jeu minimum / écart ne doit pas être inférieure à 1,5 mm (1/16 ").

MODÈLE	LARGEUR DE LA PORTE ET DE TIROIR A	PORTE: LARGEUR DE LA COUPURE B
36"	908 (35 3/4")	627 (24 3/4")
30"	756 (29 3/4")	477 (18 3/4")
24"	604 (23 3/4")	327 (12 7/8")



Exemples:
84" hauteur de l'encastrement
36" largeur de l'encastrement
4" hauteur de plinthe
1/8" distance désirée autour

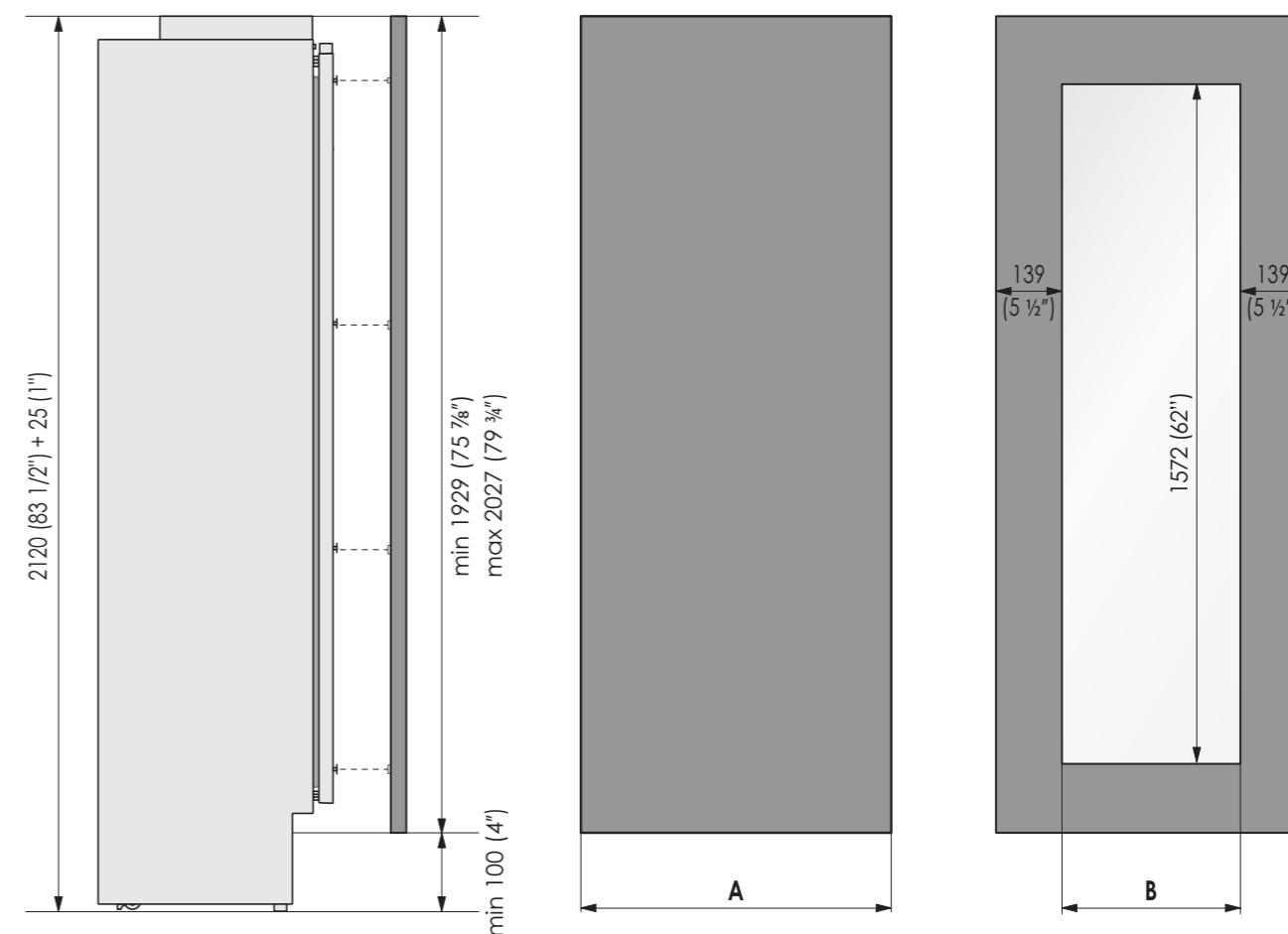
Panneau porte:
Largeur: 35-3/4"
Hauteur: 54-3/4"
Drawer panel:
Largeur: 35-3/4"
Hauteur: 84"-1/8"-54-3/4"-1/8"-4"=25"
If you want a 6" toe kick height then your bottom drawer panel height would be 23"

5.7 Dimensions des panneaux - Modèles Column

Panneaux d'épaisseur variant entre 19 mm (3/4") et 28 mm (1 1/8"). Les panneaux de porte avec un poids max de 34 kg (75 lb). Excéder ces poids pourrait annuler la garantie de tous les problèmes de services qui peuvent être attribués à des panneaux en surpoids.

Le mécanisme de charnière sur les appareils est considéré comme `zéro dégagement`. Les largeurs de portes et de tiroirs spécifiées ci-dessous supposent la largeur de niche minimum est utilisé et une de 3,5 mm (1/8 ") révèlent l'on souhaite autour des panneaux. Ajuster les dimensions de votre écran en fonction de vos propres critères de conception compte tenu de la largeur de votre créneau et votre révèlent. Jeu minimum / écart ne doit pas être inférieure à 1,5 mm (1/16 ").

MODÈLE	LARGEUR DE LA PORTE A	PORTE: LARGEUR DE LA COUPURE B
36"	908 (35 3/4")	-
30"	756 (29 3/4")	-
24"	604 (23 3/4")	327 (12 7/8")



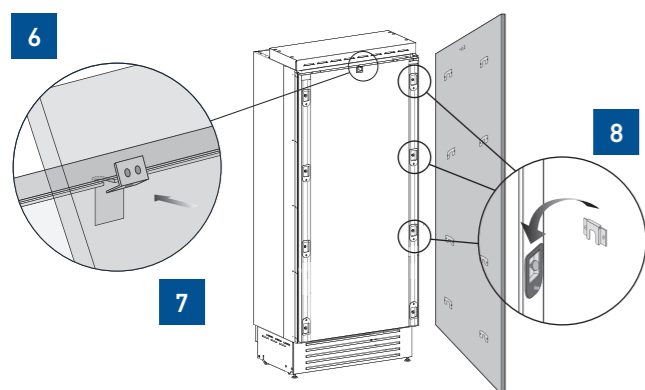
5.8 Fixation des panneaux à la porte

 Après avoir appliqué les pattes de fixation et les équerres aux panneaux, commencer l'installation par le tiroir du bas.

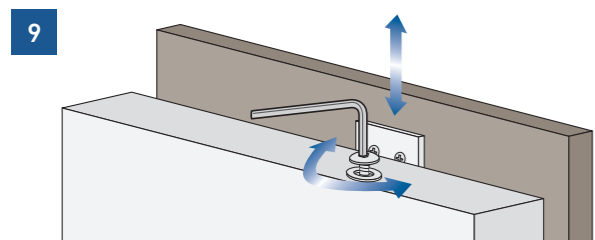
Intervenir de la manière suivante:

> Accrocher le panneau aux dispositifs de fixation en insérant dans les crans d'alignement supérieurs [6].

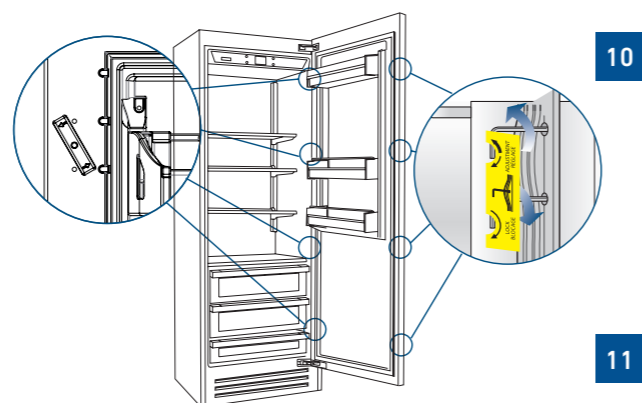
> Il est possible d'ajuster l'alignement du panneau par rapport aux meubles adjacents à l'aide des pattes [7] et des équerres d'alignement [8].




> Il est possible d'ajuster l'alignement du panneau par rapport aux meubles adjacents à l'aide des pattes et des équerres d'alignement [9] en vissant ou en dévissant la vis à l'équerre.



> Alignement en profondeur: en opérant de l'intérieur de la porte, après avoir soulevé le joint magnétique du côté de la poignée et en tournant les couvercles en plastique du côté de la charnière, ajuster la position du panneau dans la direction Z en ajustant les boulons à épaulement et les vis de pression en parallèle, au moyen de la clé hexagonale de 4 mm, et verrouiller finalement toutes les positions de montage en place [10 & 11].



 Pour les modèles acceptant des panneaux de recouvrement personnalisés, aucune poignée n'est fournie avec le produit. Vous êtes libre de fournir et de monter vos propres poignées correspondant à l'esthétique de votre cuisine ou de commander un kit d'accessoires de poignée Fulgor Milano auprès du revendeur. Suivez les instructions de montage des poignées qui sont incluses avec les poignées. Vous devrez peut-être fraiser les têtes de vis pour fixer les poignées.

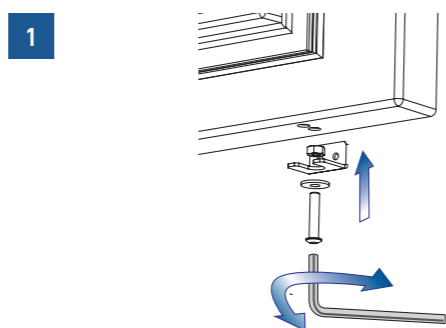
La poignée de la porte n'est pas compris dans l'emballage du produit. Il faut l'acheter à part. Pour l'installation du poignée, veuillez vous faire référence aux instructions compris dans l'emballage du poignée.

5.9 Fixation des panneaux à la porte et au Grand bac

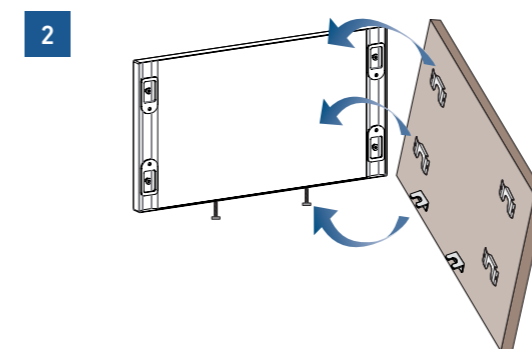
 Une fois installés tous les équerres et les poignées aux panneaux, vous pouvez à présent commencer à installer la porte.

Intervenir de la manière suivante:

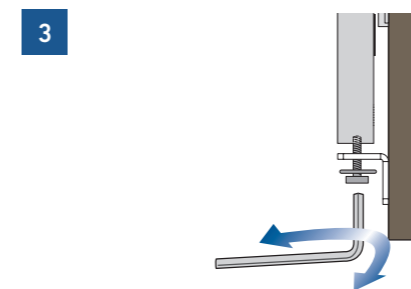
> Serrer les vis que partiellement aux fixations inférieures dans le tiroir de l'appareil. [1].



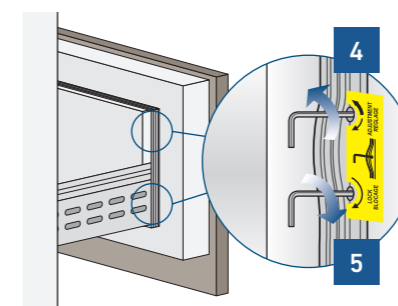
> Fixer le panneau aux support du tiroir à partir des crans de la partie inférieure de réglage [2].



> Il est maintenant possible d'aligner en hauteur les panneaux des meubles adjacents en utilisant les boulons et les équerres d'alignement inférieurs, [3] en serrant ou desserrant les vis en position selon le besoin. Avec les vis légèrement serrées, déplacer le panneau manuellement sur le côté pour l'aligner avec les autres panneaux de l'unité ou les autres structures adjacentes.



> Alignement en profondeur: en opérant de l'intérieur du tiroir, après avoir soulevé le joint magnétique ou avoir tourné, le cas échéant, la plaque de protection, ajuster la position du panneau dans la profondeur en ajustant les boulons à épaulement et les vis de pression en parallèle, au moyen de la clé hexagonale de 4 mm, et verrouiller finalement toutes les positions de montage en place [4 & 5].



5.10 Panneau de 1/8" en option pour une installation à plusieurs unités

Remarque : lors de l'assemblage de plusieurs panneaux de recouvrement selon les instructions ci-dessous pour une installation unique, l'espace/révélation résultant sera de 3/16 po entre les panneaux. Si vous souhaitez conserver ~1/8" de jeu entre tous les panneaux et les pignons, vous pouvez ajouter 1/16" à la dimension de largeur du panneau spécifié pour chaque unité.

Par exemple : joindre une unité 24"+30"+36" :

Largeur d'ouverture : 24"+30"+36"=90"

Largeurs de panneaux standard basées sur les installations d'une seule unité : 23-3/4"+29-3/4"+35-3/4"=89-1/4"

Cela laisse un espace global de 3/4" divisé par 4 espaces = 3/16"

Si vous ajoutez 1/16" à chaque panneau : 23-13/16"+29-13/16"+35-13/16"=89-7/16"

Cela se traduirait par un espace global de 9/16" divisé par 4 espaces = 9/64" (~1/8") entre les panneaux

IMPORTANT: Les instructions suivantes pour l'installation s'appliquent à tous les modèles Fulgor Milano.

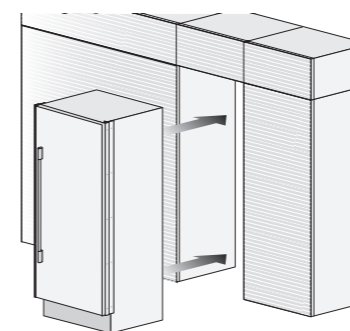
6.1 Encastrement appareil unique

Pour une installation encastrée, couvrir les espaces entre l'appareil et les armoires adjacentes et fixer l'appareil aux armoires, utilisez les 10 x kit de support. Suivez les instructions incluses dans le sac avec les supports pour le placement des supports sur l'appareil.

Intervenir de la manière suivante:

> Pousser l'appareil dans la niche d'installation [1].

1



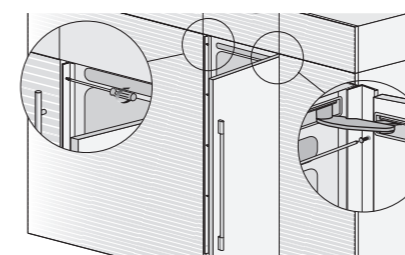
> Assemblez toujours le panneau frontal à la porte avant de placer l'appareil dans sa position définitive dans la niche ou la structure.

> Vérifier que les pieds et les roues arrière soient à niveau avant d'encaster l'appareil.

> Fixez l'appareil aux armoires adjacentes à l'aide des 10 supports d'espacement. [2].

La porte doit être ouverte pour accéder aux supports. Les vis pour fixer les supports aux armoires adjacentes ne sont pas incluses.

2



> Montez les profils latéraux sur l'appareil: insérez le latéralement puis poussez fermement jusqu'à ce qu'un "clic" entendu [3].

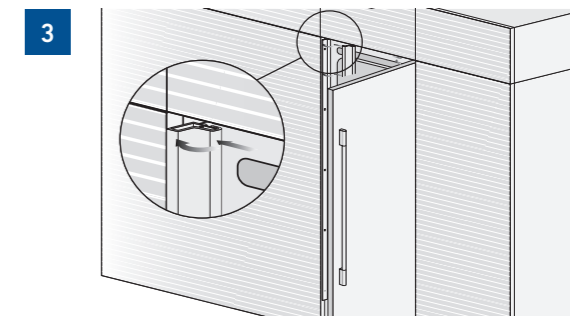
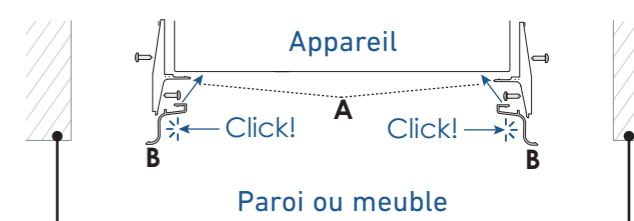


Schéma de montage profils latéraux:



A Bordure de connexion du profil

B Garniture de recouvrement du profil

6.2 Encastrement combinaison de deux appareils

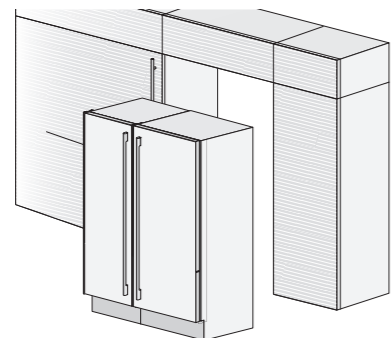
> Le profile central est compris dans l'emballage du congélateur et cave à vins.

 Plastic covering frames are provided for closing gaps between the appliance and the adjacent cabinets.

Intervenir de la manière suivante:

> Positionner les appareils devant la niche en laissant un espace suffisant pour intervenir sur l'arrière des appareils [1].

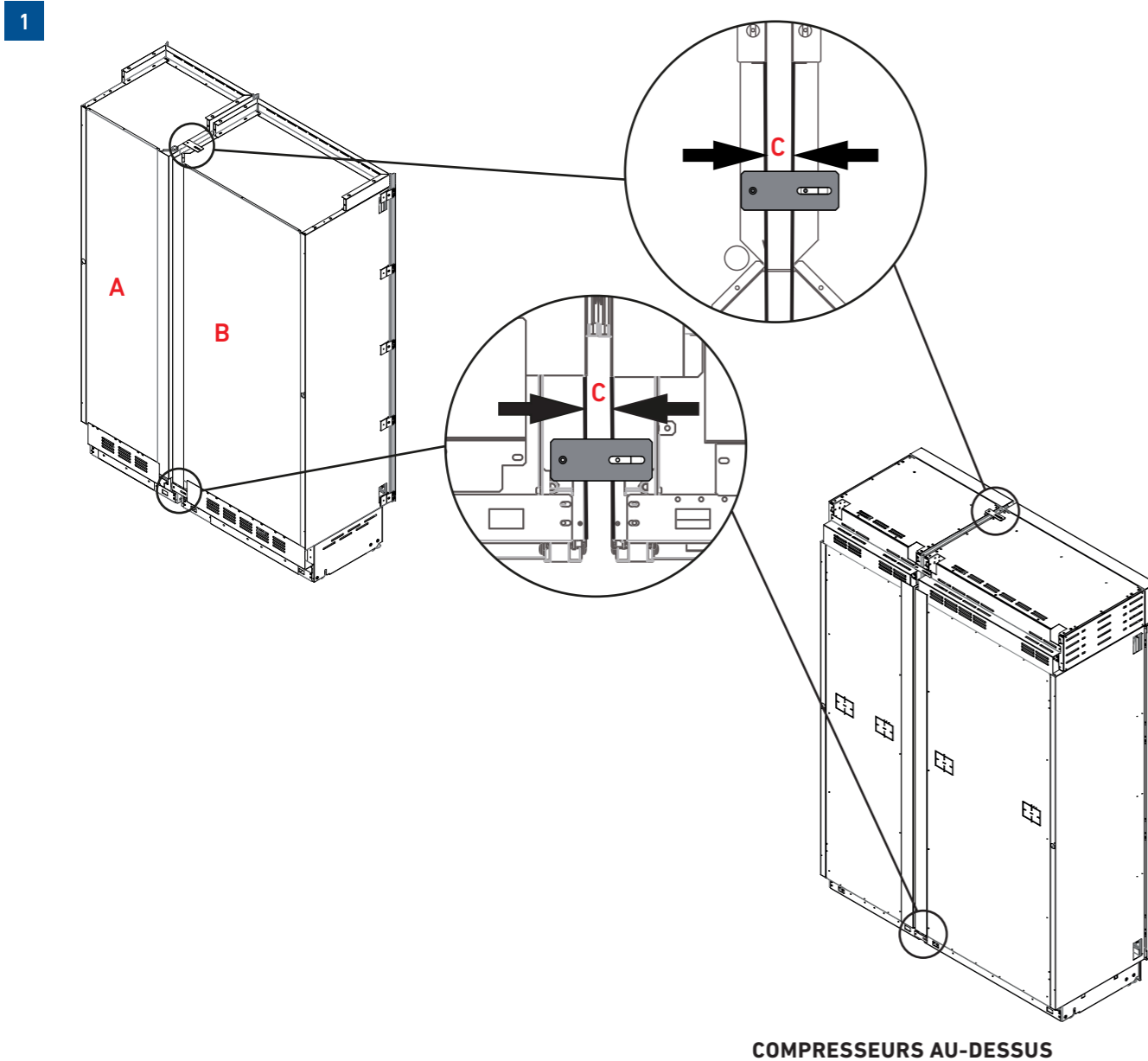
Schéma montage des profils central et latéraux:



IMPORTANT: les appareils doivent être au même niveau. Pour ce faire, il suffit d'aligner les trous des supports de montage de chaque appareil.

> Accédez à l'arrière des appareils pour monter les supports d'assemblage : fixez un côté des supports supérieurs et inférieurs à l'un des appareils et ensuite à l'autre [1] en respectant l'écart comme indiqué dans le tableau des pages suivantes.

COMPRESSEURS EN DESSOUS

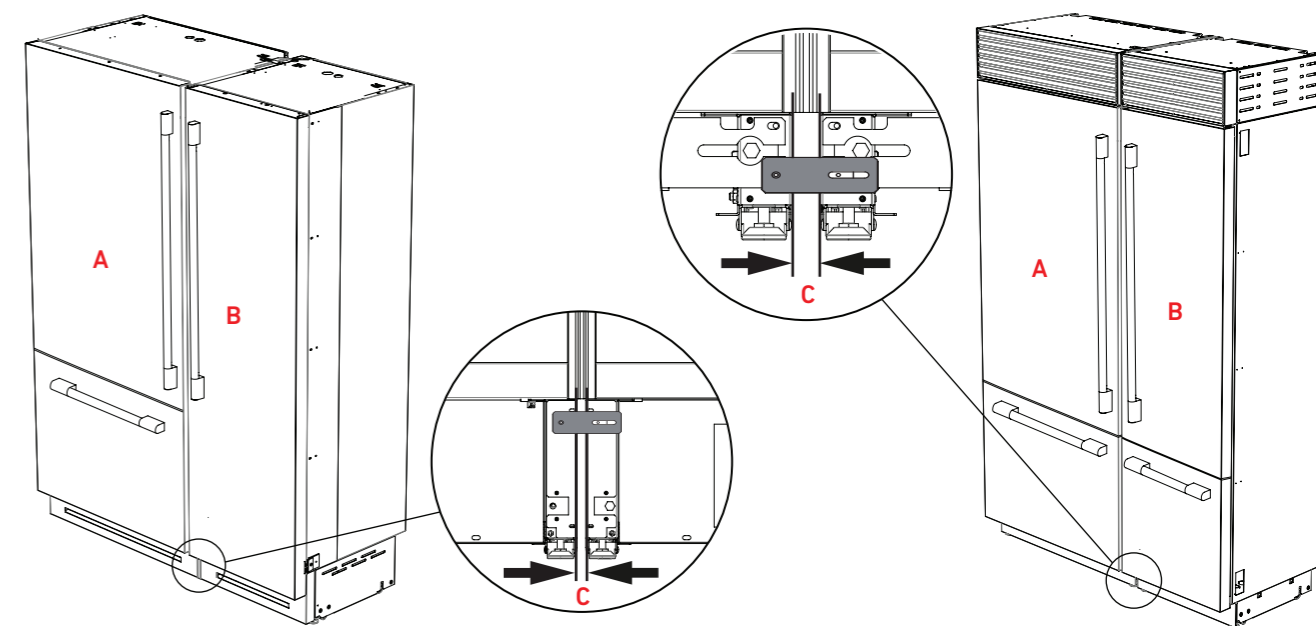


Faites de même à la section inférieure avant de chaque appareil avec le support fourni [2].

2

BOTTOM COMPRESSOR UNITS

TOP COMPRESSOR UNITS

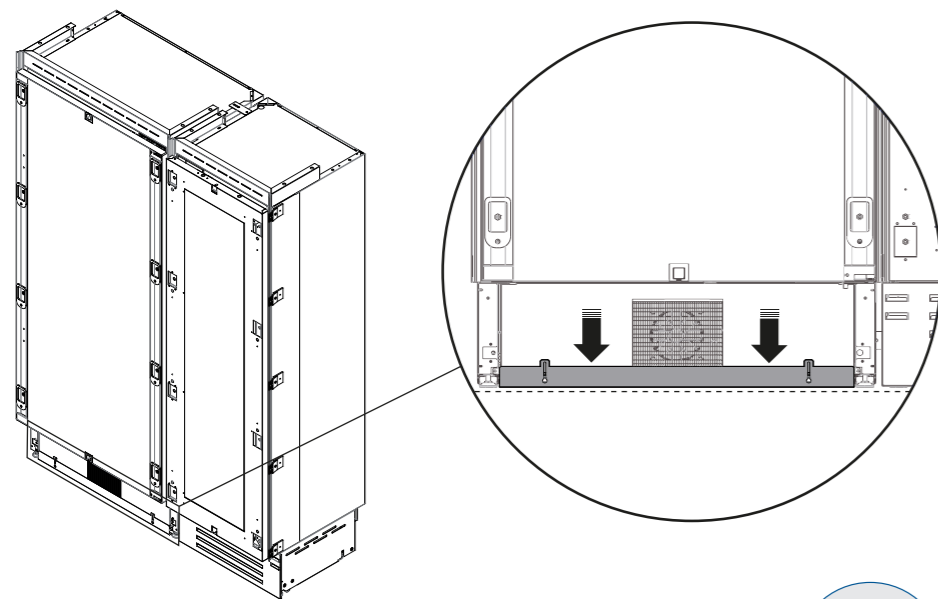


Distances entre unités (A+B)					
C		A			
		Modèle 18"	Modèle 24"	Modèle 30"	Modèle 36"
B	Modèle 18"	7/8" (22 mm)	15/16" (23.5 mm)	1" (24.5 mm)	1" (25.5 mm)
	Modèle 24"	15/16" (23.5 mm)	1" (25 mm)	1" (26 mm)	1 1/16" (27 mm)
	Modèle 30"	1" (24.5 mm)	1" (26 mm)	1 1/16" (27 mm)	1 1/8" (28 mm)
	Modèle 36"	1" (25.5 mm)	1 1/16" (27 mm)	1 1/8" (28 mm)	1 1/8" (29 mm)

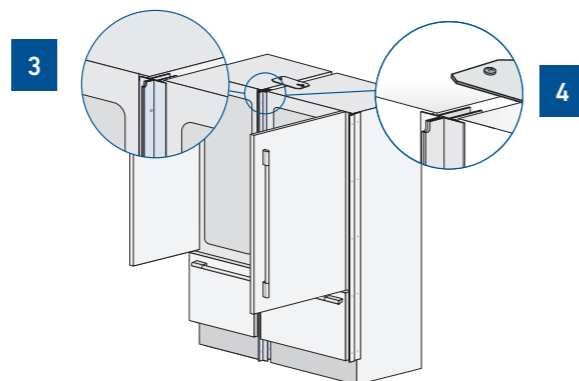
Une fois les appareils réglés et correctement mis à niveau, desserrez les deux vis qui maintiennent la plaque d'étanchéité en place.

Abaissez la plaque jusqu'à ce qu'elle affleure le sol et resserrez les vis. Cela garantira un flux d'air optimisé à travers le condenseur, nécessaire au bon fonctionnement des appareils.

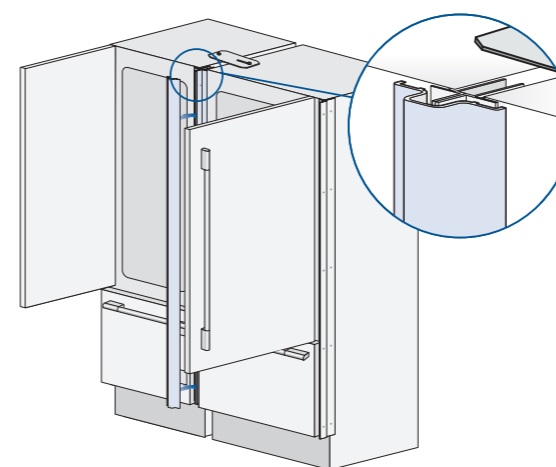
Ce tableau est une référence pour ce que l'espace à l'arrière des unités doit être entre les corps de l'appareil lors de l'installation des supports métalliques du kit de jonction. Cet espace entre les corps se produira naturellement lors de la connexion des unités à l'avant à l'aide des supports de montage en plastique fournis. Le tableau est un outil pour vous permettre de vous assurer que l'espace entre les unités est cohérent d'avant en arrière. Exemple de pourquoi c'est important : si l'espace à l'arrière entre les éléments est plus large que l'espace à l'avant, lors de l'ouverture des tiroirs, ils peuvent se heurter lorsqu'ils sont complètement déployés.



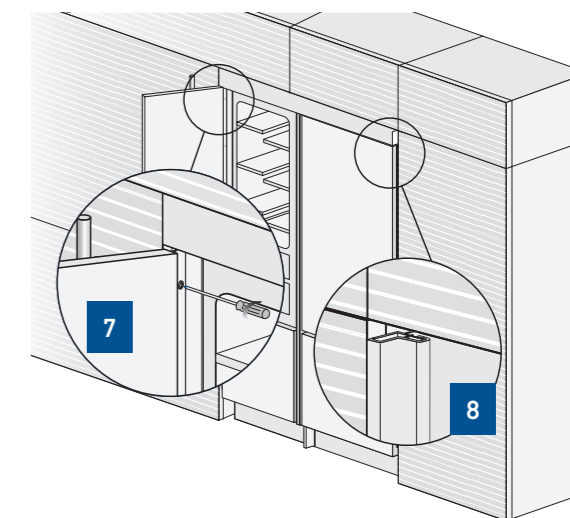
> Ensuite les accoupler sur le devant en fixant les deux profils avec les vis ou les rivets fournis [3]. Il est suggéré d'utiliser deux vis pour connecter chaque support; un de chaque côté [4].



> Fixer l'équerre supérieure l'inférieure [5], d'abord sur un appareil et puis sur l'autre. Compléter en montant la corniche de couverture centrale en poussant avec force jusqu'au "clic".



> Monter sur les profils les corniches de couverture, en les insérant latéralement et puis en poussant avec force jusqu'au "clic" (comme pour l'encastrement de l'appareil unique) [8].



> Une fois complétés les passages ci-dessus, poussez les appareils dans leur position définitive [6]. Assemblez toujours le panneau frontal à la porte avant de placer l'appareil dans sa position définitive dans la niche ou la structure.

> Vérifier que les pieds et les roues arrière soient à niveau avant d'encaster l'appareil.

> Fixer chaque appareil aux meubles adjacents en vissant à ces derniers les profils latéraux, déjà montés sur les appareils [7]. La porte doit être ouverte pour accéder aux supports de fixation à l'armoire.



Faire attention car les appareils ont la partie avant plus lourde et peuvent s'incliner avant qu'ils soient fixés aux meubles adjacents.

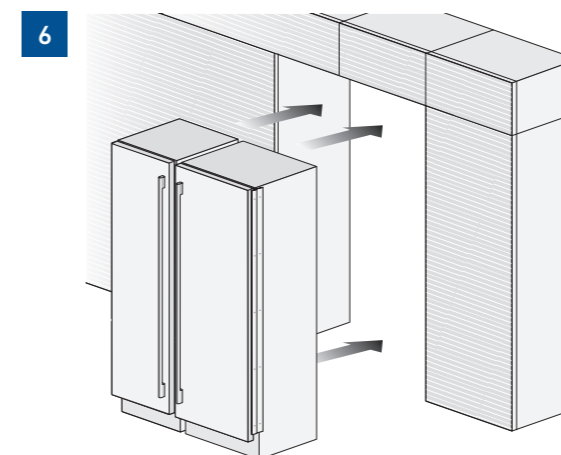
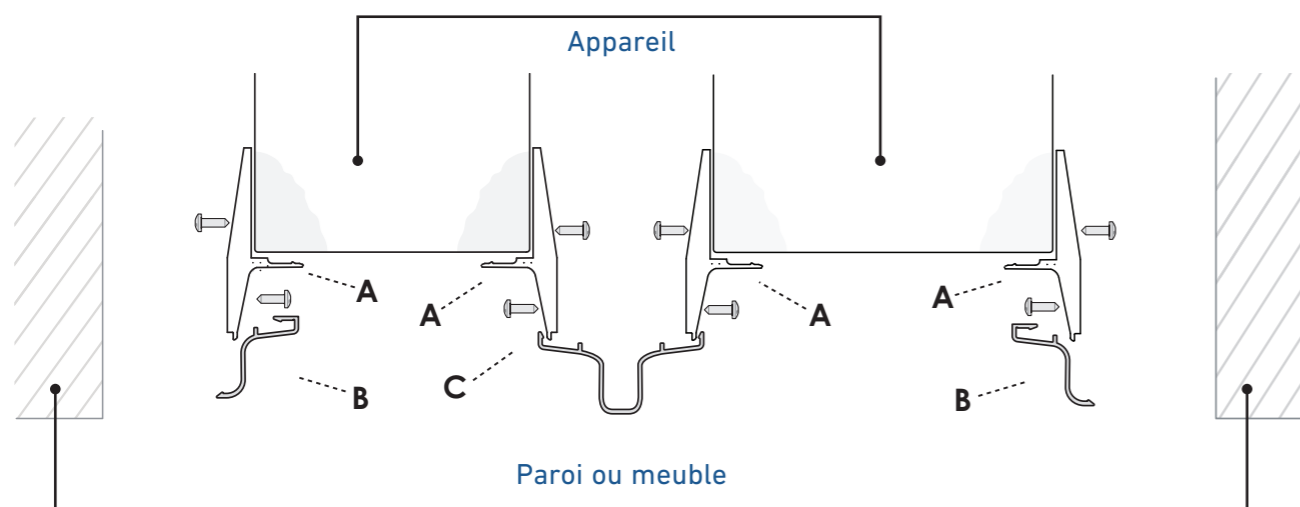


Schéma montage des profils central et latéraux:



- A** - Supports de montage / de connexion en plastique
B - Garniture de recouvrement du profil latéral
C - Garniture de recouvrement du profil centrale

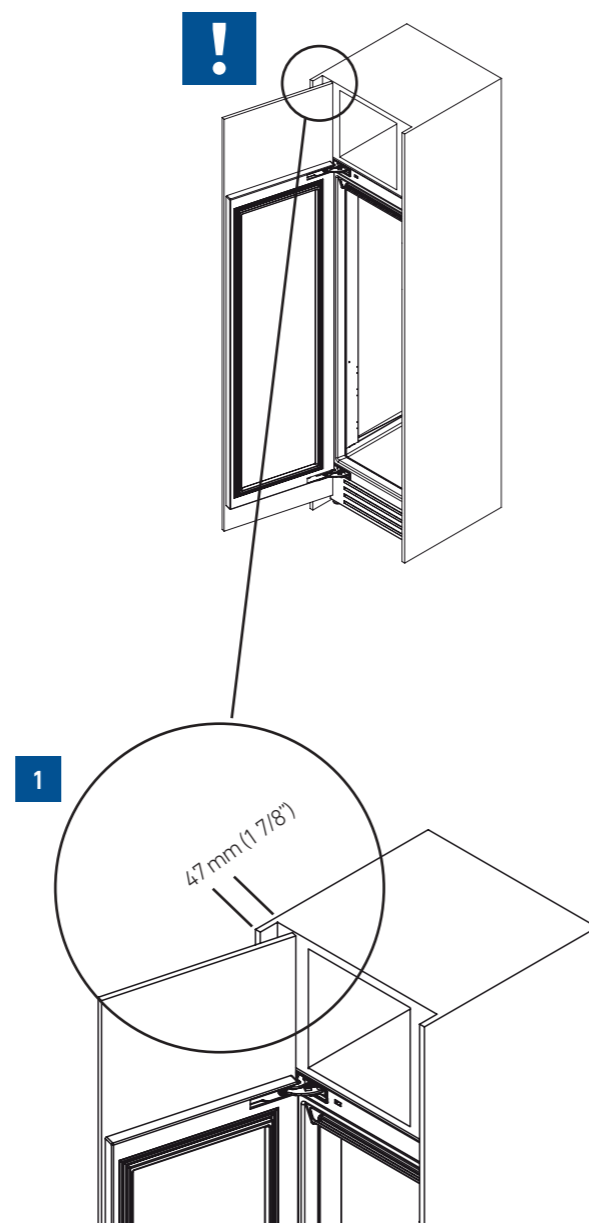
! 6.3 Profondeur maximale structure au-dessus du réfrigérateur encastrable à porte unique

Il est possible que le design de la cuisine et notamment de la niche où doit être introduit le réfrigérateur encastrable prévoit un meuble au-dessus du réfrigérateur, meuble qui doit être fermé aussi par le panneau de la porte du réfrigérateur même.

Dans ce cas, **la profondeur totale du meuble au-dessus du réfrigérateur ne doit pas dépasser la profondeur totale du réfrigérateur même sans la porte [1]**.

De cette façon il n'y aura aucune interférence avec le panneau fixé sur la porte du réfrigérateur, en assurant ainsi une ouverture correcte pendant la rotation jusqu'à 100°.

Assurez-vous de ne pas dépasser les limites de poids du panneau

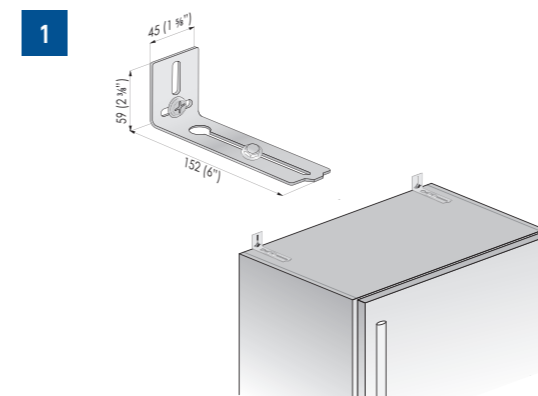


7.1 Montage de la sécurité anti-renversement

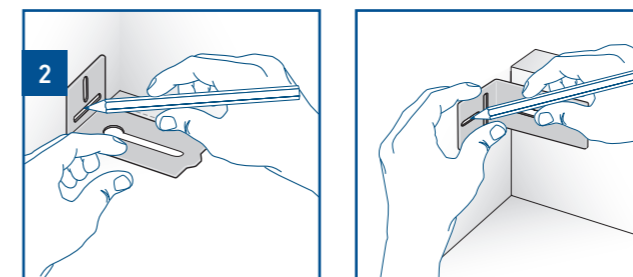
Si le ou les appareils ne sont pas connectés via les supports de montage aux armoires sécurisées vous devez installer les supports anti-basculement pour s'assurer que le produit ne tombe pas vers l'avant pendant l'utilisation et causer des dommages ou des blessures. Toute demande d'intervention en garantie liée à une situation de renversement sera nulle si l'appareil(s) n'est pas fixé solidement.

Intervenir de la manière suivante:

> Les équerres devraient être appliquées comme illustré, en utilisant les vis fournies. En cas d'utilisation des équerres anti-renversement, il est recommandé de les fixer dans des charpentes en bois ou en béton - les plaques de plâtre ne pourraient pas supporter le poids de l'appareil. Positionner un équerre sur la partie supérieure de l'appareil en correspondance des trous de fixation et contre le mur [1].



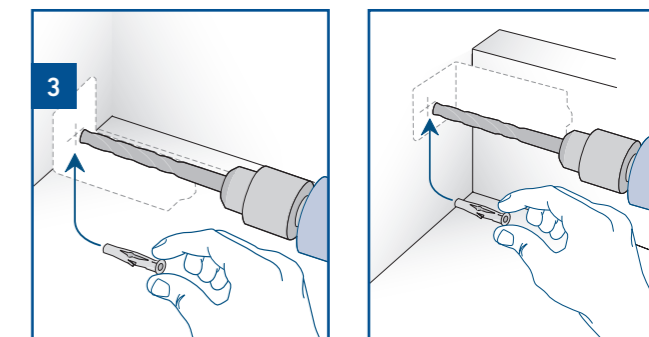
> Marquer la position des trous avec un crayon [2].



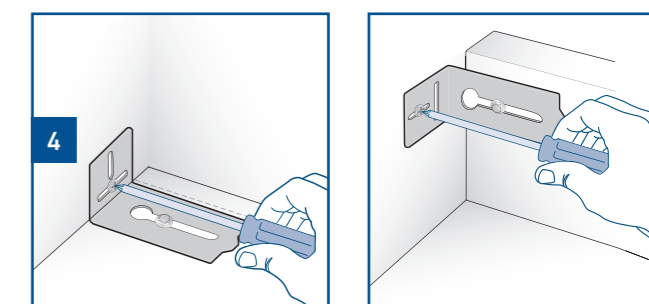
COMPRESSEURS EN DESSOUS

COMPRESSEURS AU-DESSUS

> Pour le béton, percer le mur avec une mèche de 8 mm (3/8") et insérer la vis tamponnée [3].



> Replacer l'équerre et la fixer d'abord sur l'appareil et, ensuite, au mur [4].



COMPRESSEURS EN DESSOUS

COMPRESSEURS AU-DESSUS

Pour pouvoir utiliser les équerres anti-renversement sur des modèles avec le compresseur installé sur la partie supérieure, il est nécessaire de retirer temporairement la partie supérieure, le plafond métallique / panneau de protection, afin d'accéder aux points de boulonnage des équerres.

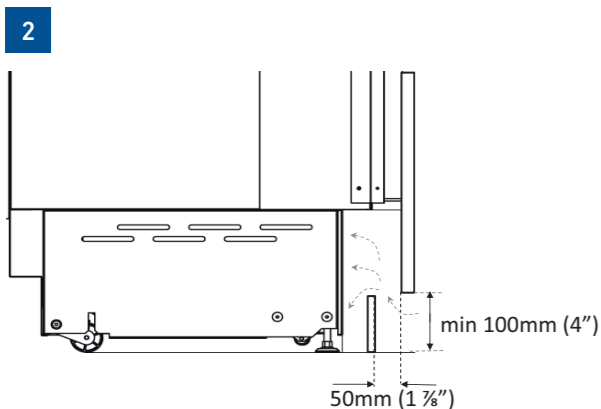
7.2 Circulation de l'air

MODELS ENCASTRABLES ET ENCASTRABLES AVEC PORTE INOX:

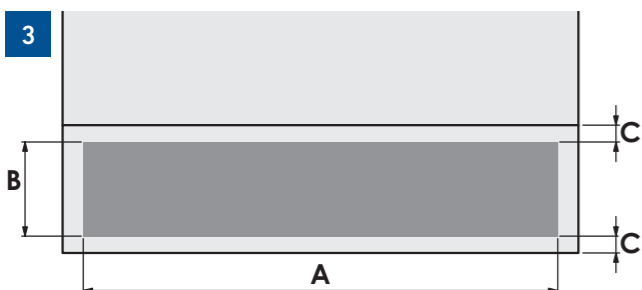
Un système à air forcé assure la ventilation à travers la grille, bien fixée à l'appareil par du plaqués magnétiques, positionnée dans la partie inférieure de l'appareil [1].



Si l'aménagement de la cuisine prévoit une plinthe, cette dernière doit être placée d'une manière de garder un niveau d'aération optimal, comme expliqué dans le dessin [2].

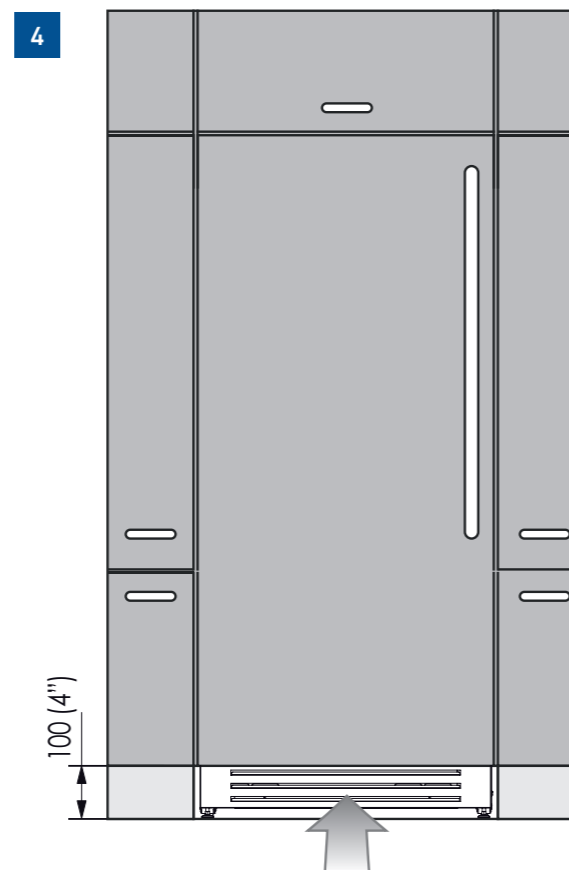


Si la grille est positionnée différemment que le dessin [2], le coup de pied doit comporter des événements/ouvertures au moins d'une surface égale à 50% de la surface délimitée par les dimensions A et B dans l'image [3].



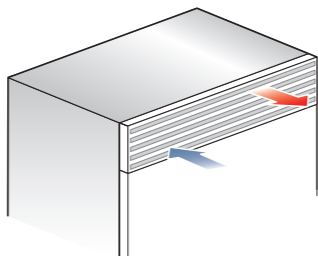
	36 "	30 "	24 "	18 "
A	860 (33 7/8")	740 (29 1/8")	560 (22")	410 (16 1/8")
B	> 100 (4")			
C	10 (3/8")			

Afin de nettoyer régulièrement le condenseur de la poussière, la grille doit toujours être accessible [4].



SÉRIE Stainless exterior Pro

La ventilation est assurée par un système à air forcé à travers une grille positionnée dans la partie supérieure de l'appareil. Cette grille ne doit jamais être couverte par des panneaux ou par tout autre dispositif pouvant en réduire l'efficacité. Veuillez vous référer à la page Spécifications techniques sections pour les modèles Stainless exterior Pro afin d'assurer une circulation d'air correcte.

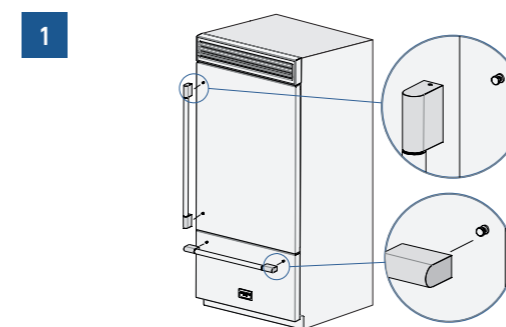


7.3 Montage des poignées sur le devant inoxydable

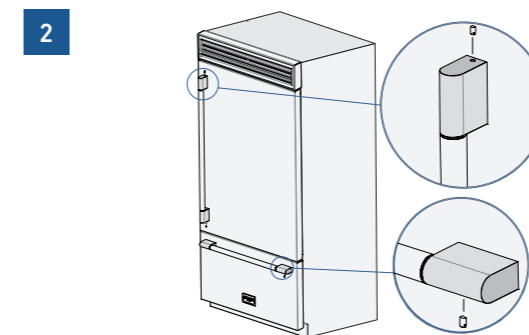
Pour fixer les poignées à la porte et au grand bac, intervenir comme indiqué.

Intervenir de la manière suivante:

> Insérer les écarteurs sur les deux goujons présents sur la porte et sur le grand bac [1].



> Serrer les vis de fixation disponibles sur la poignée [2].



Les vis doivent être serrées à l'aide d'une clé hexagonale ou tournevis de 2,5 mm (1/8"). Il est recommandé d'utiliser un composé frein-filet sur les vis de réglage pour s'assurer qu'elles ne se desserrent pas au fil du temps / de l'utilisation.

La garantie ne couvre pas la réinstallation des poignées qui se détachent ou se détachent ou tout dommage ultérieur, car elles relèvent de la responsabilité de l'installateur/propriétaire pour assurer une installation correcte.

7.4 Liste de contrôle de fin d'installation

- Contrôler que les pieds sont correctement installés.
- Contrôler que le raccordement à l'installation hydrique ne présente pas de fuites d'eau et que le robinet de fermeture est facilement accessible.
- Contrôler que le branchement électrique soit correctement réalisé et que la fiche et l'interrupteur omnipolaire dédié soient facilement accessibles.
- Contrôler le parfait alignement de l'appareil avec les meubles adjacents.
- Contrôler que chaque ruban adhésif ou protection temporaire interne ou externe soit éliminé.
- Contrôler la parfaite étanchéité des portes et le coulissement des bacs et des clayettes.

7.5 Mise en marche

> Pour mettre en marche tous les compartiments de l'appareil, appuyer pendant 3 secondes sur la touche Unit Ⓢ.


Le message "initial test" apparaîtra pendant environ 2 minutes, ensuite les compresseurs seront actifs jusqu'à attendre la température prévue en usine par défaut.

> Si l'appareil est fourni avec un appareil à glaçons avant de le mettre en marche pour la première fois, veuillez vous assurer que la cartouche du filtre pour l'eau a bien été installée et effectuez un remplissage du circuit hydraulique.



> Éliminez l'air des conduites d'eau en activant la fonction «Nettoyage manuel». Vous pourriez avoir besoin de répéter cette séquence plusieurs fois jusqu'à ce que vous arrêtez d'entendre l'air dans le remplissage de la machine à glaçons (Consulter le Mode d'emploi).

> Une fois que vous êtes convaincu que le système est purgé d'air allumez la Machine à glaçons dans

la machine à glaçons élément de menu  des fonctions de l'appareil. S'il vous plaît reportez-vous au manuel d'utilisation et d'entretien pour plus de détails

> Pour toute autre information concernant le fonctionnement de l'appareil, se référer au Mode d'emploi.



Si lors de la première mise en marche, mais apparaissent Fridge too warm, Freezer too warm ou signaux sonores, cela signifie que l'appareil a déjà commencé la procédure de refroidissement.

Dans ce cas désactiver les éventuels messages sonores en effleurant la touche Alarm, refermer la porte et attendre que les températures programmées soient atteintes. Laissez l'appareil fonctionner/refroidir pendant au moins 24 heures. Si les températures réglées n'ont pas été atteints par le service de contact 24 heures sur 24.



Il faut laisser l'unité atteindre la température de fonctionnement vide et avec la porte fermée avant que les aliments sont stockés à l'intérieur.

Fulgor Milano est constamment à la recherche de nouvelles solutions pour améliorer les caractéristiques et le design de ses propres produits et se réserve le droit d'apporter continuellement des modifications à ses modèles et peuvent ne pas toujours apparaître comme illustrés.

1 INSTRUCCIONES IMPORTANTES	2
1.1 Instrucciones importantes referentes a la seguridad.....	2
1.2 Para la seguridad de los niños.....	2
2 REQUISITOS TÉCNICOS	3
2.1 Características del aparato y requisitos de instalación.....	3
2.2 Características del hueco de instalación: columna integrable.....	4
2.3 Características del hueco de instalación: congelador integrable de montaje inferior.....	6
2.4 Características del hueco de instalación: columna con puerta.....	8
2.5 Características del hueco de instalación: Stainless exterior Pro (estándar norteamericano).....	10
2.6 Características del hueco de instalación: Stainless exterior Pro (estándar europeo).....	12
3 PREPARACIÓN PARA LA INSTALACIÓN	16
3.1 Transporte al lugar de instalación y desembalaje.....	16
3.2 Conexiones eléctrica y del agua.....	16
3.3 Energía: renovables y sistemas domóticos.....	17
3.4 Nivelación.....	18
4 MEDIDAS DEL HUECO	19
4.1 Para instalación combinada (para todos los modelos excepto Stainless exterior Pro).....	19
5 MONTAJE DE LOS PANELES	20
5.1 Preparación del panel decorativo de la puerta.....	20
5.2 Preinstalación de los paneles decorativos para frigoríficos de un cajón.....	22
5.3 Preinstalación de los paneles decorativos para frigorífico con puerta de cristal y un cajón.....	23
5.4 Diseño de paneles decorativos para columna.....	24
5.5 Diseño de paneles decorativos para columna con puerta de crista.....	25
5.6 Medidas de los paneles de los modelos con un cajón.....	26
5.7 Medidas de los paneles para los modelos de columna.....	27
5.8 Montaje de los paneles en la puerta.....	28
5.9 Montaje de los paneles y al cajón.....	28
5.10 Revelado de panel opcional de 1/8 " para instalación de unidades múltiples.....	28
6 INSTALACIÓN: MODELOS DE COMPRESOR INFERIOR	31
6.1 Instalación empotrada de un solo aparato.....	31
6.2 Instalación empotrada de dos o más aparatos.....	31
6.3 Profundidad máxima de la estructura por encima del aparato empotrable con una sola puerta.....	36
7 FINALIZACIÓN DE LA INSTALACIÓN	37
7.1 Montaje de la seguridad antivuelco.....	37
7.2 Ventilación.....	38
7.3 Montaje de las manillas.....	39
7.4 Lista de verificación posterior a la instalación.....	39
7.5 Puesta en marcha.....	39

1.1 Instrucciones importantes referentes a la seguridad

Símbolos utilizados en esta Guía:



Nota

Consejos para utilizar correctamente el aparato



Importante

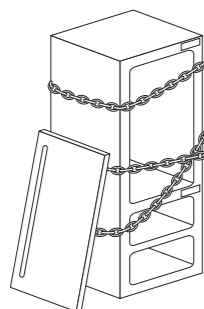
Indicaciones para evitar daños al aparato



Advertencia

Indicaciones para precaver lesiones

1.2 Para la seguridad de los niños



PELIGRO: Riesgo de atrapamiento de los niños. Antes de tirar su viejo refrigerador, congelador o armario cava:

- > Quite las puertas;
- > Corte el cable de alimentación y deséchelo por separado;
- > Deje los estantes en su lugar para que los niños no puedan trepar fácilmente dentro del aparato.



¡Importante!

Las medidas indicadas entre paréntesis son en pulgadas.

Los pesos indicados entre paréntesis son en libras.

Las temperaturas indicadas entre paréntesis son en grados Fahrenheit.

2.1 Características del aparato y requisitos de instalación

Peso con embalaje	Modelo 18"
	hasta 150 kg (331 lb)
	Modelo 24"
	hasta 170 kg (375 lb)
	Modelo 30"
	hasta 190 kg (419 lb)
	Modelo 36"
	hasta 200 kg (441 lb)

Tensión	CA 110 - 120 V 60 Hz
Cable de alimentación	90° Nema 5-15P
Interruptor dedicado	15 A
Presión del suministro de agua potable	de 0,05 MPa a 0,5 MPa (0.5 Bar - 5 Bar)
Conexión del agua	3/4" NPT (incluido adaptador de codo de 1/4")
Accesorios de instalación incluidos	<ul style="list-style-type: none"> - Kit antivuelco - Grapas de montaje lateral (10 piezas blancas) - Kit de montaje de paneles (si procede) - Kit de conexión del agua (si procede) - Llave Allen de 4 mm (1/8")
Equipo adicional necesario	<ul style="list-style-type: none"> - Destornillador Phillips - Taladro para madera - Broca de 2,5 mm (1/8") para madera - Broca de 8 mm (3/8") para paredes - Broca de 10 mm (3/8") para paredes - Llave de 17 mm (11/16") - Llave de 19 mm (3/4") - Vaso de 13 mm (1/2") para ajustar la nivelación trasera piernas - Llave hexagonal de 2,5 mm para instalando manijas
Otro accesorios incluidos	- Kit de limpieza

2.2 Características del hueco de instalación: columnas integrable

A Altura mínima del hueco

2134 mm (84")

Anchura del hueco

Modelo 36": 914 mm (36")

Modelo 30": 762 mm (30")

Modelo 24": 610 mm (24")

Modelo 18": 457 mm (18")

Profundidad mínima del hueco

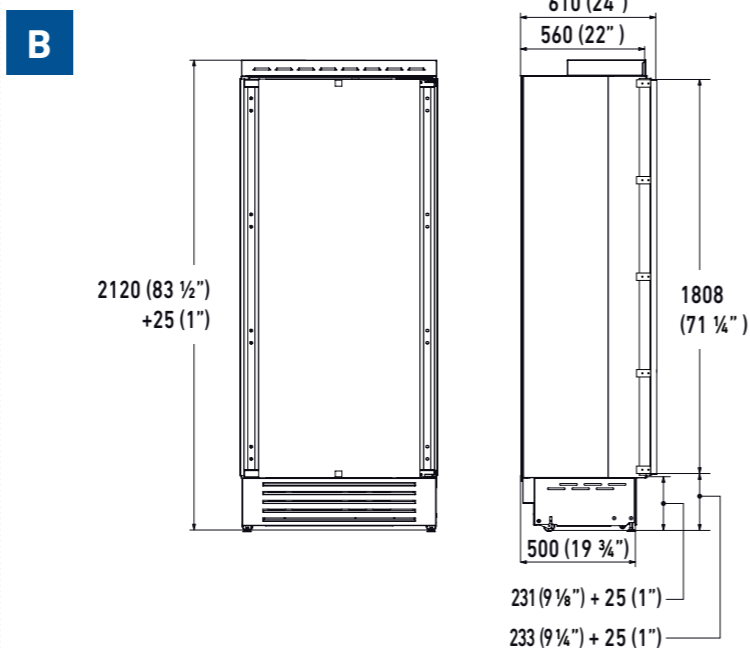
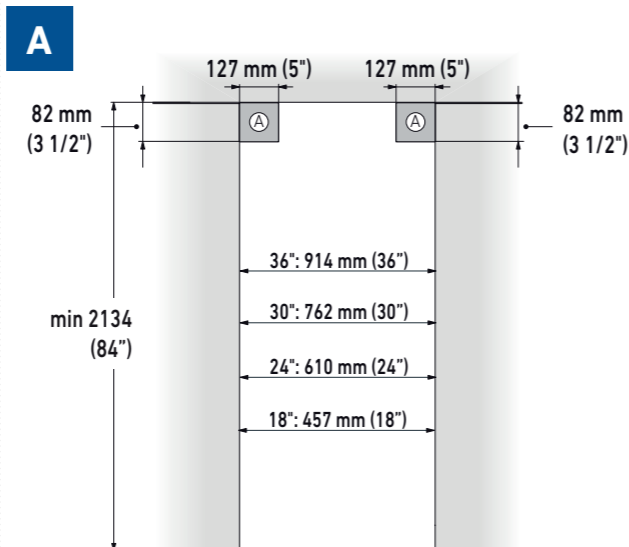
610 mm (24") + grosor del panel para instalación a ras

Área que debe dejarse libre para los soportes antivuelco

127 mm (5") para los lados derecho e izquierdo

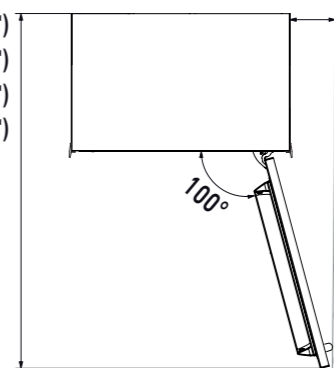
B Anchura

2120 mm (83 1/2") + 25 mm (1")



Espacio con puerta abierta

36" model: 1489 mm (58 5/8")
 30" model: 1338 mm (52 5/8")
 24" model: 1187 mm (46 3/4")
 18" model: 1036 mm (40 3/4")



Distancia mínima de la pared (lado de la bisagra)

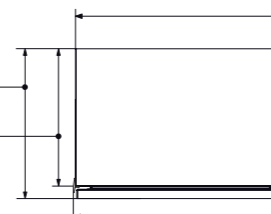
36" model: 158 mm (6 1/4")
 30" model: 132 mm (5 1/4")
 24" model: 108 mm (4 1/4")
 18" model: 82 mm (3 1/4")

! Giro de puerta de 90° disponible usando la parte 90STOP

Con cuerpo de aparato.

36" model: 885 mm (34 7/8")
 30" model: 735 mm (28 7/8")
 24" model: 585 mm (23")
 18" model: 435 mm (17 1/8")

610 mm (24")
 560 mm (22")



36" model: 912 mm (35 7/8")
 30" model: 760 mm (29 7/8")
 24" model: 608 mm (23 7/8")
 18" model: 455 mm (17 7/8")

Ancho del aparato con soportes de montaje instalados (ancho efectivo)

2.3 Características del hueco de instalación: congelador integrable de montaje inferior

A **Altura mínima del hueco**

2134 mm (84")

Anchura del hueco

Modelo 36": 914 mm (36")

Modelo 30": 762 mm (30")

Modelo 24": 610 mm (24")

Profundidad mínima del hueco

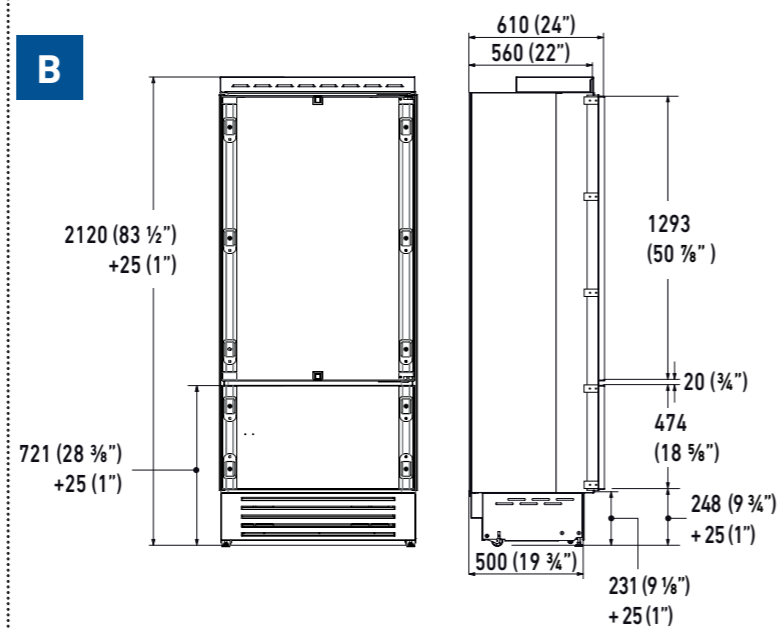
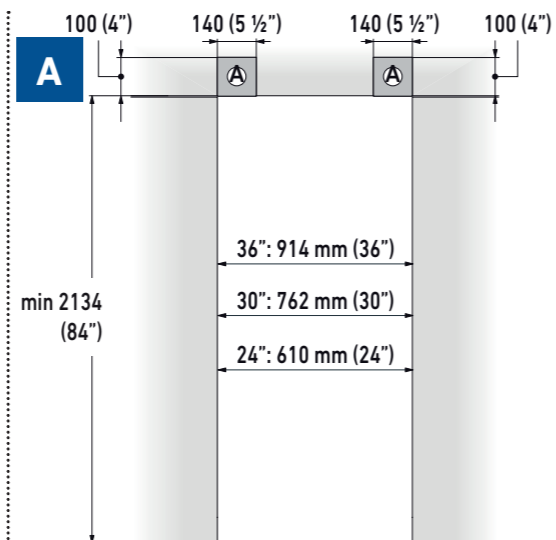
610 mm (24") + grosor del panel para instalación a ras

Área que debe dejarse libre para los soportes antivuelco

127 mm (5") para los lados derecho e izquierdo

B **Anchura**

2120 mm (83 1/2") + 25 mm (1")



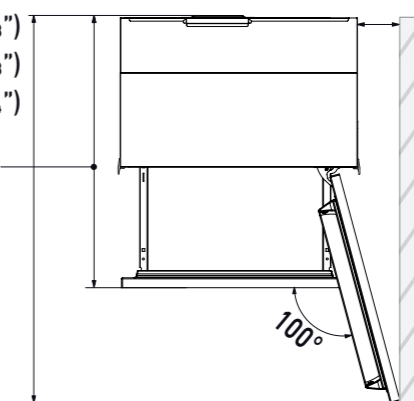
Espacio con puerta abierta

Distancia mínima de la pared (lado de la bisagra)

36" model: 1489 mm (58 5/8")
30" model: 1338 mm (52 5/8")
24" model: 1187 mm (46 3/4")

36" model: 160 mm (6 1/4")
30" model: 125 mm (5")
24" model: 90 mm (3 1/2")

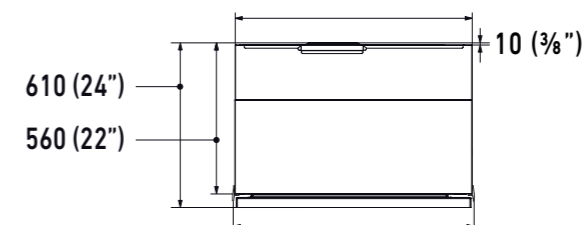
992 (39")



! Giro de puerta de 90° disponible usando la parte 90STOP

36" model: 885 mm (34 7/8")
30" model: 735 mm (28 7/8")
24" model: 585 mm (23")

Con cuerpo de aparato.



36" model: 912 mm (35 7/8")
30" model: 760 mm (29 7/8")
24" model: 608 mm (23 7/8")

Ancho del aparato con soportes de montaje instalados (ancho efectivo)

2.4 Características del hueco de instalación: columna con puerta

A Altura mínima del hueco

2134 mm (84")

Anchura del hueco

Modelo 36": 914 mm (36")

Modelo 30": 762 mm (30")

Modelo 24": 610 mm (24")

Modelo 18": 457 mm (18")

Profundidad mínima del hueco (para instalación empotrada)

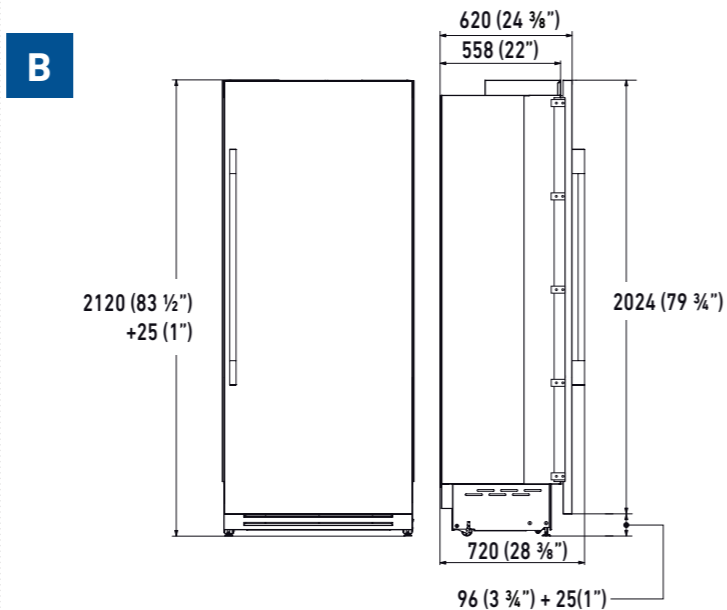
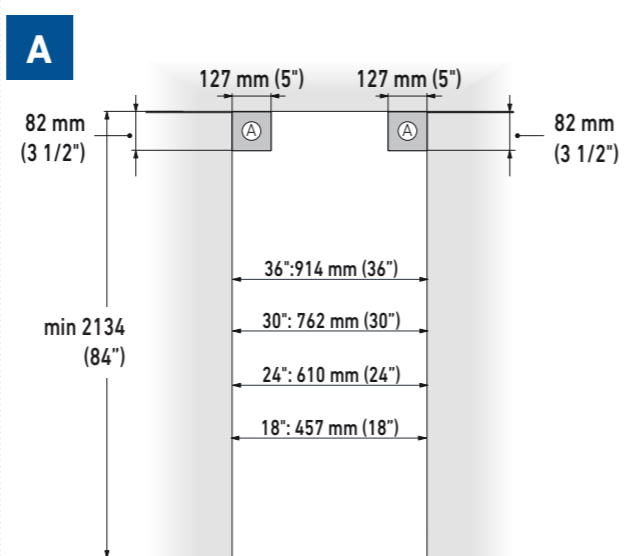
630 mm (24 3/4")

Área que debe dejarse libre para los soportes antivuelco

127 mm (5") para los lados derecho e izquierdo

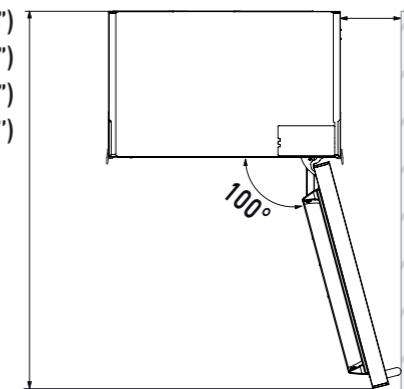
B Anchura

2120 mm (83 1/2") + 25 mm (1")



Espacio con puerta abierta

36" model: 1487 mm (58 1/2")
 30" model: 1336 mm (52 5/8")
 24" model: 1185 mm (46 5/8")
 18" model: 1034 mm (40 3/4")



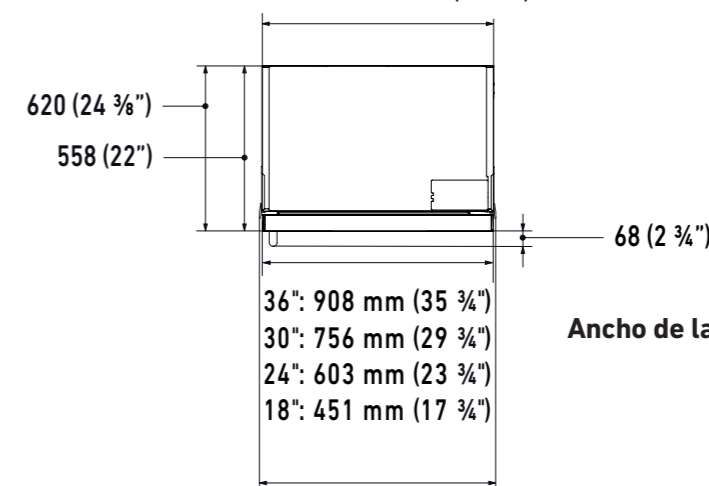
Distancia mínima de la pared (lado de la bisagra)

36" model: 139 mm (5 1/2")
 30" model: 103 mm (4 1/8")
 24" model: 89 mm (3 1/2")
 18" model: 63 mm (2 1/2")

! Giro de puerta de 90° disponible usando la parte 90STOP

36" model: 885 mm (34 7/8")
 30" model: 735 mm (28 7/8")
 24" model: 585 mm (23")
 18" model: 435 mm (17 1/8")

Con cuerpo de aparato.



Ancho de la puerta revestida

36": 908 mm (35 3/4")
 30": 756 mm (29 3/4")
 24": 603 mm (23 3/4")
 18": 451 mm (17 3/4")

36" model: 912 mm (35 7/8")
 30" model: 760 mm (29 7/8")
 24" model: 608 mm (23 7/8")
 18" model: 455 mm (17 7/8")

Ancho del aparato con soportes de montaje instalados (ancho efectivo)

2.5 Características del hueco de instalación: Stainless exterior Pro (Ancho de corte estándar norteamericano)

A Altura mínima del hueco

2134 mm (84")

Anchura mínima del hueco

Modelo 36": 914 mm (36")

Modelo 30": 762 mm (30")

Modelo 24": 610 mm (24")

Profundidad con puerta

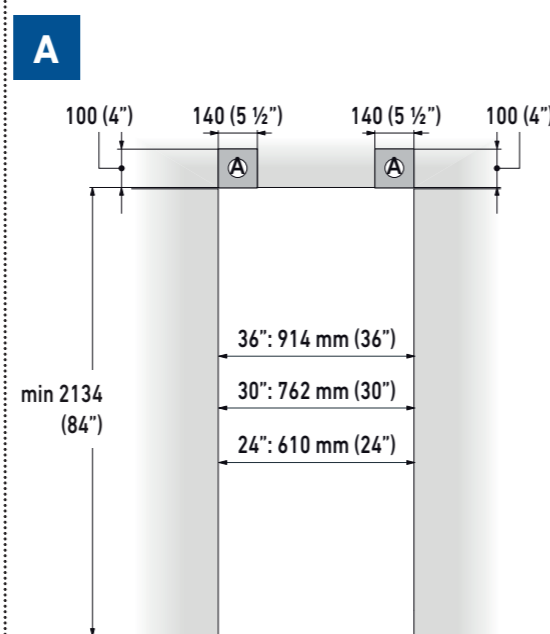
635 mm (25")

Área que debe dejarse libre para los soportes antivuelco

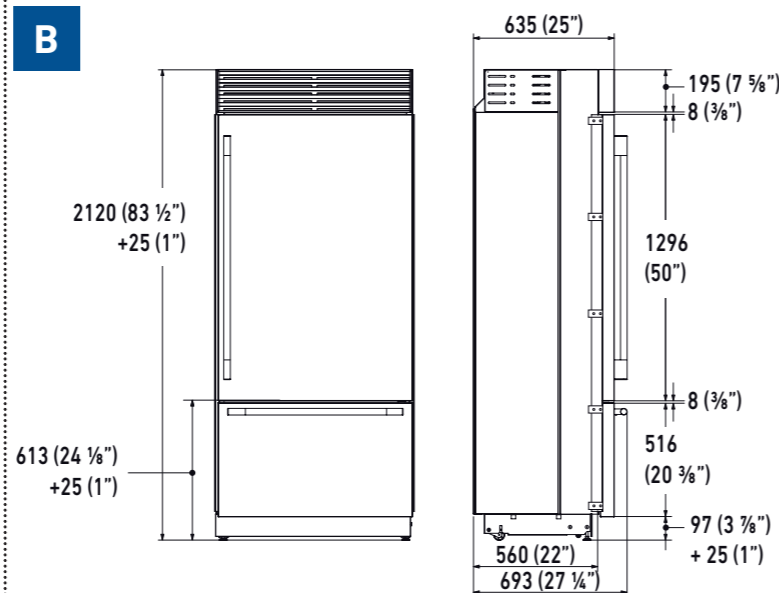
127 mm (5") para los lados derecho e izquierdo

B Anchura

2120 mm (83 1/2") + 25 mm (1")



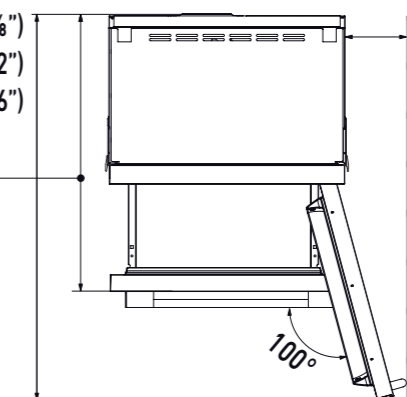
! Cuando se instalan nuestros modelos de compresor superior en un recorte estándar de América del Norte, se recomienda utilizar el kit de recorte de perfil en J para cerrar el espacio lateral del aparato, o bien utilizar los clips de montaje de plástico estándar cuando se instala la unidad en un armario de ancho europeo. (Se muestra en la página siguiente) La instalación de la unidad en un "recorte" estándar norteamericano sin el kit de recorte de perfil en J, dará como resultado un espacio más grande a lo largo de la abertura del armario.



Espacio con puerta abierta

36" model: 1470 mm (57 7/8")
30" model: 1320 mm (52")
24" model: 1170 mm (46")

1016 mm (40")



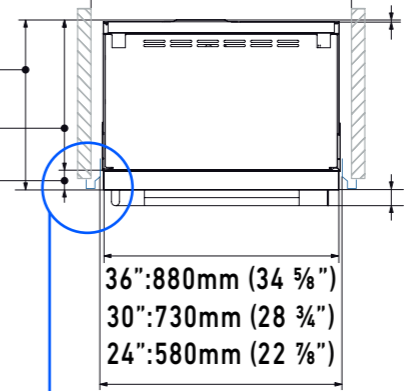
Distancia mínima de la pared (lado de la bisagra)

36" model: 230 mm (9")
30" model: 195 mm (7 3/4")
24" model: 160 mm (6 1/4")

36" model: 914 mm (36")
30" model: 762 mm (30")
24" model: 610 mm (24")

Con cuerpo de aparato.

635 mm (25")
560 mm (22")
75 mm (3")

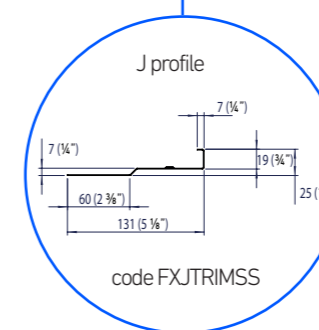


Ancho de la puerta revestida

36": 880 mm (34 5/8")
30": 730 mm (28 3/4")
24": 580 mm (22 7/8")

36" model: 935 mm (36 3/4")
30" model: 785 mm (30 7/8")
24" model: 635 mm (25")

Ancho del aparato con soportes de montaje instalados (ancho efectivo)



! Debido a la naturaleza del diseño de este modelo (ancho europeo), para mejorar la estética cuando se instala en un recorte de ancho norteamericano estándar existente, las molduras de perfil en J tienen un doble propósito al aumentar el ancho efectivo del el modelo se superpone a los hastiales laterales y mejora la transición para una instalación orgullosa (no al ras) ya que este modelo también es un poco más profundo a 25" que un recorte estándar. gabinete. (Se muestra en la página siguiente)

2.6 Características del hueco de instalación: Stainless exterior Pro
(Ancho de corte estándar europeo)

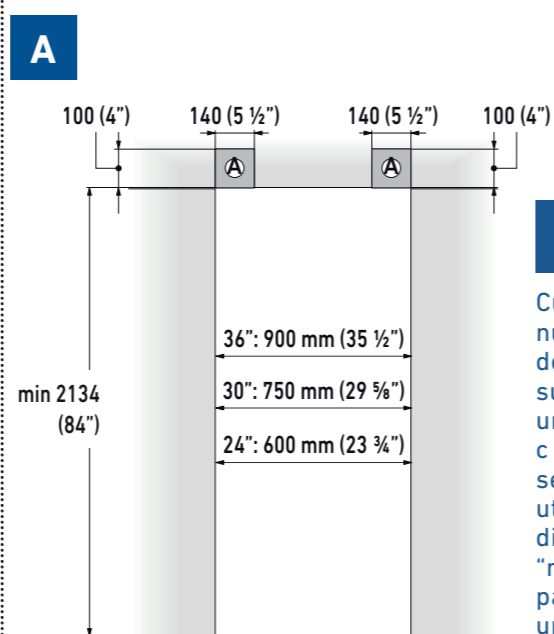
A Altura mínima del hueco
2134 mm (84")

Anchura mínima del hueco
Modelo 36": 900 mm (35 1/2")
Modelo 30": 750 mm (29 5/8")
Modelo 24": 600 mm (23 3/4")

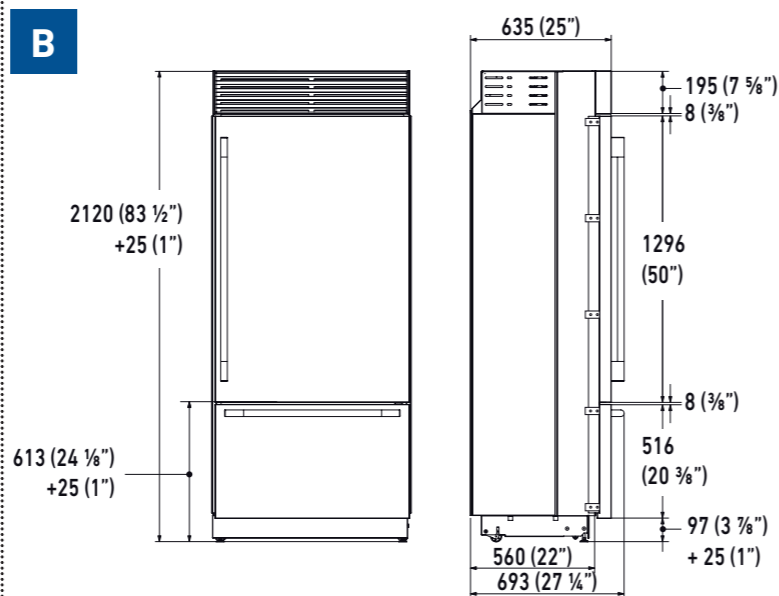
Profundidad con puerta
635 mm (25")

Área que debe dejarse libre para los soportes antivuelco
127 mm (5") para los lados derecho e izquierdo

B Anchura
2120 mm (83 1/2") + 25 mm (1")

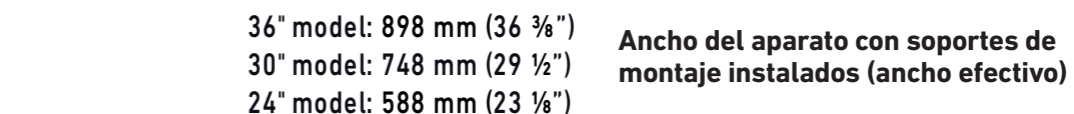
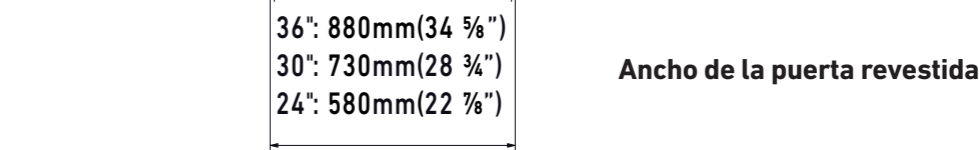
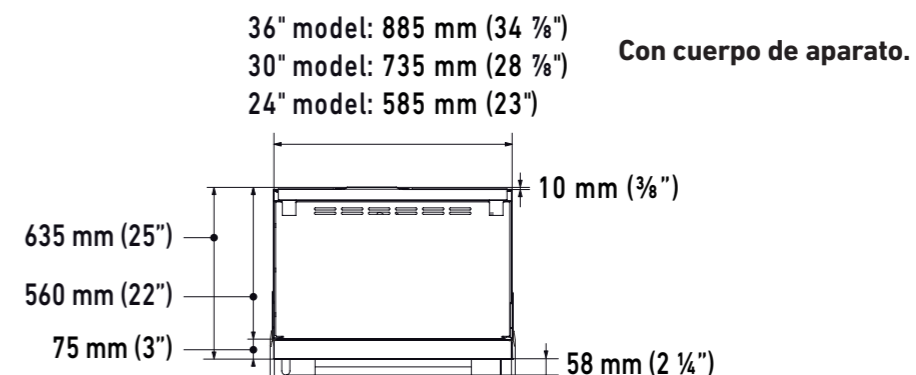
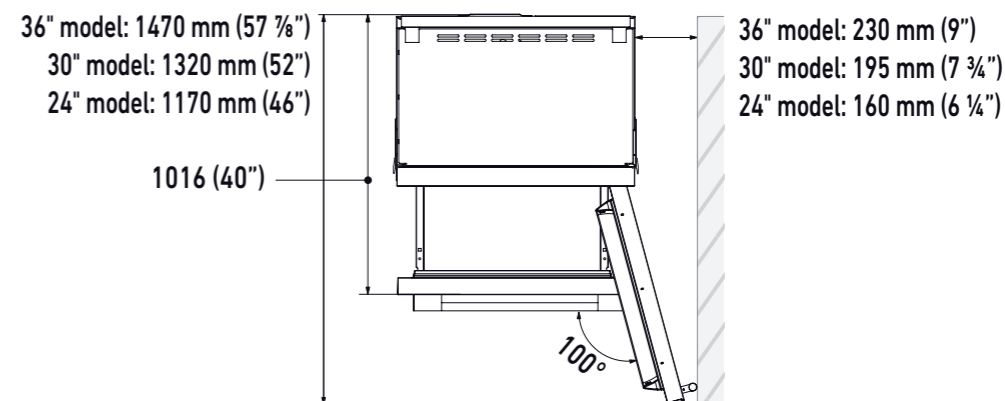


! Cuando se instalan nuestros modelos de compresor superior en una nueva construcción, se recomienda utilizar las dimensiones de "recorte" europeas para conseguir un hueco mínimo en los lados laterales y evitar la necesidad de utilizar el kit de recorte de perfil en J. Si se instala la unidad en un "recorte" estándar norteamericano sin el kit de recorte de perfil en J, se producirá un hueco mayor a lo largo de la abertura del armario.



Espacio con puerta abierta

Distancia mínima de la pared (lado de la bisagra)



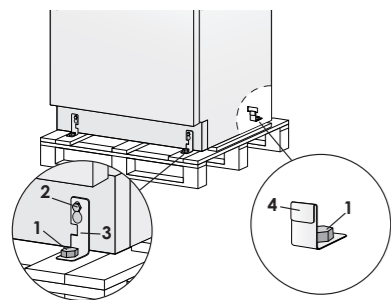
3.1 Transporte al lugar de instalación y desembalaje



El aparato es muy pesado. Prestar la máxima atención al manipularlo para evitar lesiones.



El aparato siempre se debe transportar en posición vertical. Evite a toda costa apoyarlo en su parte delantera.



Dado que se trata de un aparato grande y pesado, antes de desplazar el aparato, examinar el acceso al lugar donde se instalará (tamaño de la puerta, espacio de maniobra en las escaleras, etc.).

El aparato está asegurado a la base del embalaje (palé) por medio de cuatro pernos que se pueden quitar utilizando una llave de 19 mm (3/4").

Se recomienda utilizar un dispositivo de transporte manual para trasladar el aparato al lugar de instalación, y solo entonces retirar la base del embalaje. El aparato siempre debe transportarse en posición vertical. Si no fuese posible, entonces el aparato se debe transportar tumbado en su parte trasera. Una vez en el lugar de instalación, el aparato, que está equipado con cuatro ruedas, se puede retirar del palé y colocar en el punto de instalación previsto.

Proceder como sigue:

> Quitar los cuatro pernos [1] que aseguran el aparato al palé utilizando una llave o una carraca de vaso de 19 mm (3/4").

> Retirar las escuadras de fijación [3] y [4] .

> Para soltar la escuadra de fijación delantera [3], aflojar el tornillo de ajuste de la rueda trasera [2] utilizando una llave o una carraca de vaso de 13 mm (1/2"). Evitar forzar, de una forma u otra, este perno en sus puntos de tope para no dañar el sistema de nivelación trasera. Asegurarse de que las patas de nivelación delanteras estén retraídas de manera que las 4 ruedas queden en contacto con el suelo y así poder maniobrar más fácilmente.

> Desde la parte trasera o lateral de la unidad y

utilizando una carretilla de mano adecuada y de alta resistencia, retirar el aparato y colocarlo en el suelo. Prestar mucha atención para evitar cualquier daño a los suelos. Es necesario proteger los suelos delicados con paneles de madera contrachapada, cartón duro o materiales similares.

> En este punto, ajuste los rodillos traseros hacia abajo (hacia la derecha en la varilla niveladora [2]) hasta que hagan contacto con el piso y levante la parte trasera del aparato lo suficiente como para que ruede libremente.

3.2 Conexiones eléctrica y del agua



El filtro incorporado no puede hacer potable agua que no sea ya apta para el consumo humano

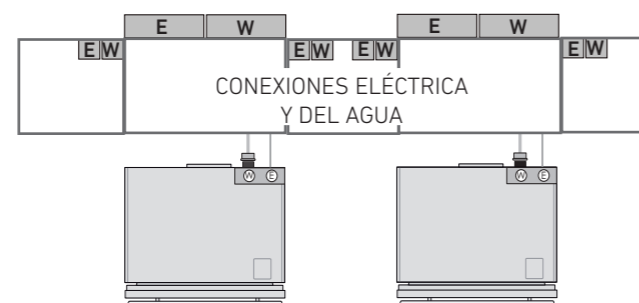


El aparato debe conectarse únicamente a una red de suministro de agua potable.



No utilizar cables alargadores ni adaptadores. Una vez que el aparato esté completamente instalado, conectado al suministro de agua (si corresponde) y en funcionamiento, en caso de que sea necesario cortar el suministro de agua, para desactivar la Máquina de hielo antes de cerrar el agua principal para evitar que el aparato entre en un estado de alarma de "AUSENCIA DE AGUA".

• VISTA ARRIBA •



Las conexiones eléctricas o de agua ubicadas directamente detrás del aparato deben estar empotradas. No coloque la válvula de cierre de agua directamente detrás del aparato. Debe estar en un lugar accesible.

Los aparatos salen de fábrica para funcionar con una tensión de la red eléctrica de 110 V-120 V CA - 60 Hz (EE.UU. y Canadá).

Están provistos de un cable de alimentación y de un enchufe adecuados para conectarlos a una toma de corriente de 15 A con una conexión a tierra efectiva. También debe instalarse un interruptor automático de 15 A dedicado, fácilmente accesible para poder aislar sin dificultad el aparato de la red eléctrica antes de realizar cualquier operación de instalación o de mantenimiento. Para conectar el aparato a la red de abastecimiento de agua (para los aparatos equipados con Máquina de hielo) se debe disponer de un tubo de acometida del agua de 1/4" con una llave de paso fácilmente accesible.

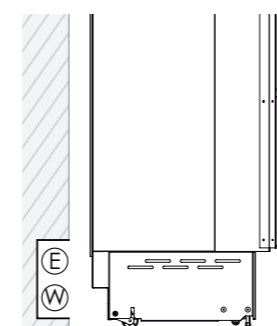
El aparato está provisto de un codo adaptador para la alimentación del agua, adecuado para la presión del agua recomendada y conforme con la normativa vigente en materia de alimentos y agua. El cartucho de filtro del agua, que se suministra con el aparato, debe instalarse según las instrucciones que lo acompañan. Consultar las instrucciones de instalación del filtro del agua que figuran en el kit de filtro del agua. La conexión de la válvula de solenoide en el aparato tiene un diámetro de 3/4" pero su rosca es métrica (NPT). Un conector roscado estándar para manguera de jardín, así como un tubo trenzado reforzado de acero inoxidable como el que se encuentra habitualmente en las ferreterías, pueden destruir o dañar los filetes del solenoide. Se recomienda utilizar únicamente el adaptador de codo de conexión rápida de 1/4" suministrado para conectar al aparato una línea de alimentación del agua de cobre o de polietileno de 1/4".



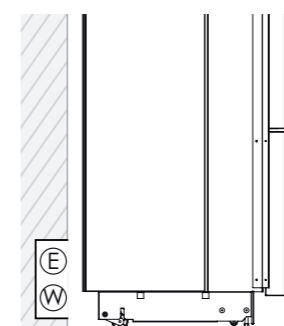
No utilizar cables alargadores ni/o adaptadores múltiples para la conexión a la red eléctrica.

CONEXIONES ELÉCTRICA Y DEL AGUA DETRÁS DEL APARATO

BOTTOM COMPRESSORS UNIDAD



TOP COMPRESSORS UNIDAD



3.3 Energía: renovables y sistemas domóticos

Si la energía se suministra a través de una fuente de energía renovable (solar, geotérmica, etc.) o si se instalan sistemas domóticos con señales portadoras en las líneas eléctricas, puede ser necesario instalar un transformador de aislamiento (no suministrado) para evitar interferencias con la electrónica del aparato.

BOTTOM COMPRESSORS UNIDAD:

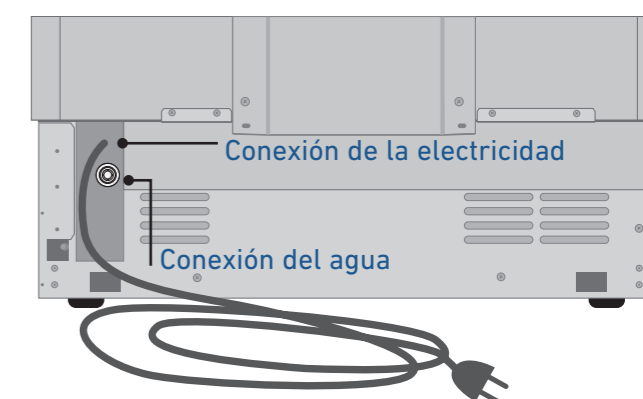


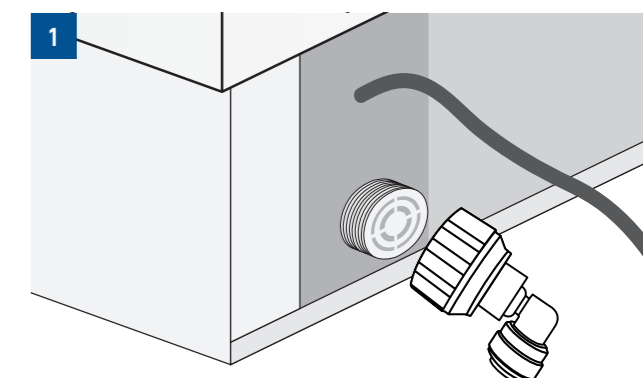
fig.1 Parte trasera del aparato

Proceder como sigue:

> Desenrollar el cable eléctrico y conectarlo directamente a la toma de corriente en la pared.

> Asegurarse de que el aparato esté en Stand-by y que todas las luces estén apagadas; en caso contrario, pulsar el icono (⏻) para apagar el aparato.

> Conectar el tubo del agua al aparato en su parte trasera [1] .



TOP COMPRESSORS UNIDAD:

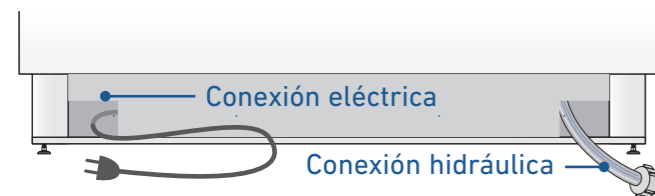


fig.2 Parte de atrás del equipo

Realizar lo siguiente:

- > Desenrollar el cable eléctrico y conectarlo directamente a la toma de la pared.
- > Comprobar que el equipo esté en Stand by y que las luces estén apagadas; si no lo están, pulsar el botón Unit © para apagar el equipo.
- > Conectar el tubo de agua a la conexión roscada de la base del equipo [1], como muestra la figura 3.

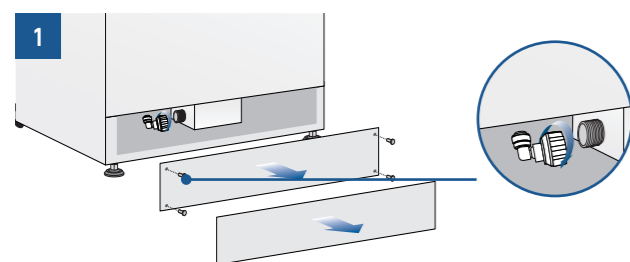
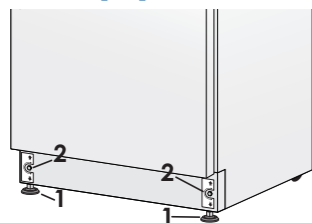


fig.3 Frontal del equipo

- > Apriete firmemente con los dedos; no se necesita una herramienta/llave para hacer un sello adecuado con la arandela de goma en el adaptador. Abra el agua y asegúrese de que todas las conexiones no tengan fugas antes de empujar la unidad hacia la abertura.

3.4 Nivelación

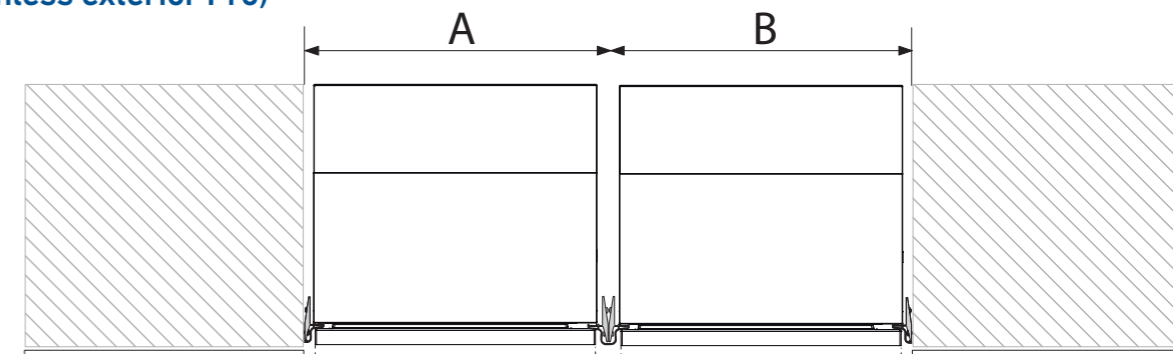
Ajustar el nivel del aparato actuando sobre las patas [1] niveladoras delanteras y las ruedas regulables traseras. [2]



Proceder como sigue:

- > Si fuese necesario, retirar el zócalo inferior o la rejilla (está sujeta en posición por imanes), ajustar la altura de las patas niveladoras [1] utilizando una llave de 17 mm (11/16").
- > Seguidamente ajustar la altura de las ruedas traseras girando los pernos de ajuste delanteros [2] en sentido horario (subir) o en el sentido contrario (inferior), según corresponda. Prestar atención si se utiliza una herramienta eléctrica y bajar la potencia para evitar dañar el mecanismo de nivelación.
- > Montar de nuevo en su sitio el zócalo o la rejilla.
- > Si accidentalmente retiró la varilla de nivelación y se desenganchó del mecanismo de nivelación, deberá tirar del aparato hacia adelante para acceder a la parte trasera de la base, localizar la tuerca de seguridad que estará suelta debajo del aparato y volver a enroscarla. la varilla a través de la placa de nivelación del mecanismo y vuelva a instalar la tuerca de seguridad y vuelva a intentar la nivelación.

4.1 Medidas del hueco para instalación combinada (para todos los modelos excepto Stainless exterior Pro)



ESPACIO CORRECTO ENTRE LOS APARATOS QUE SE MUESTRAN MÁS ADELANTE EN ESTE MANUAL.

		A			
		18"	24"	30"	36"
B	18"	36"(914mm)	42"(1067mm)	48"(1220mm)	54"(1372mm)
	24"	42"(1067mm)	48"(1220mm)	54"(1372mm)	60"(1520mm)
	30"	48"(1220mm)	54"(1372mm)	60"(1520mm)	66"(1676mm)
	36"	54"(1372mm)	60"(1524mm)	66"(1676mm)	72"(1829mm)

Ejemplo: si el electrodoméstico A mide 24" y el electrodoméstico B mide 36", el ancho de apertura requerido será de 24"+36"=60"


5.1 Preparación del panel decorativo de la puerta

Las medidas de los paneles se indican en la tabla y en los dibujos de las páginas siguientes.

Sin embargo, según los requisitos para alinearse con otras estructuras de la cocina, el panel de la puerta puede ser más alto que el borde superior de la puerta del refrigerador.

Los paneles deben montarse utilizando soportes especiales que se fijan a dispositivos ajustables previstos en la puerta y en el cajón y con escuadras que bloquean y ajustan verticalmente el panel.

Los soportes y los tornillos de fijación se suministran con el aparato y deben aplicarse al panel como se indica.

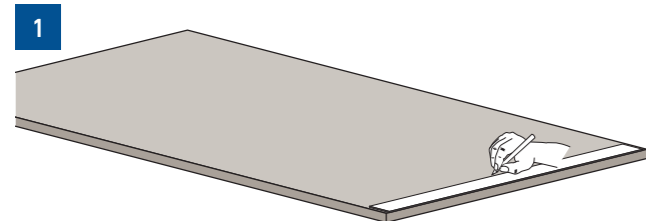
 Para los estilos de panel enmarcado o de coctelera, puede no ser posible fijar la parte superior o inferior soportes de nivelación a menos que el ebanista haya previsto su montaje con material adicional en la parte posterior del panel.

Proceder como sigue:

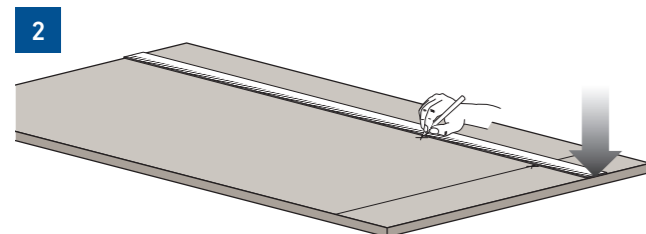
Para preparar los paneles que se montarán en el aparato, seguir estos pasos, actuando sobre la parte trasera del panel.

Panel de la puerta

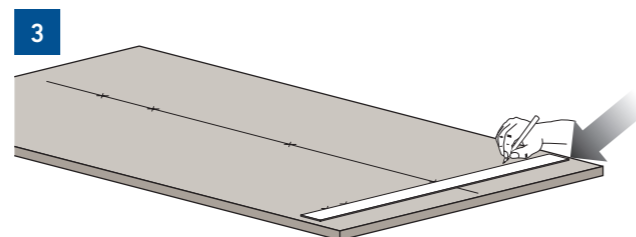
> Dibujar una línea central vertical de arriba a abajo en el panel [1].



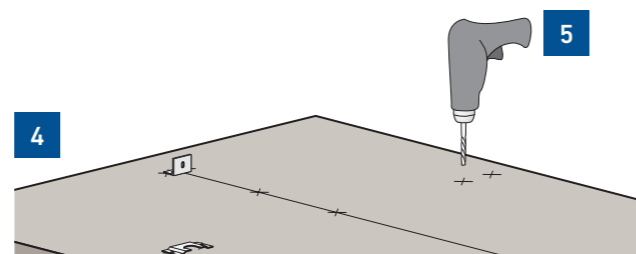
> Empezando por el borde inferior del panel, marcar la posición de los soportes [2].



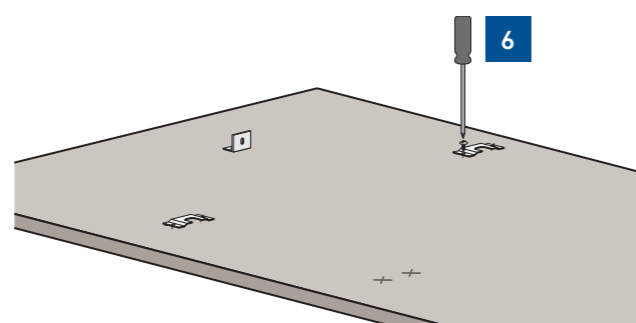
> Siguiendo la tabla correspondiente, marcar el agujero externo y luego el interno [3].



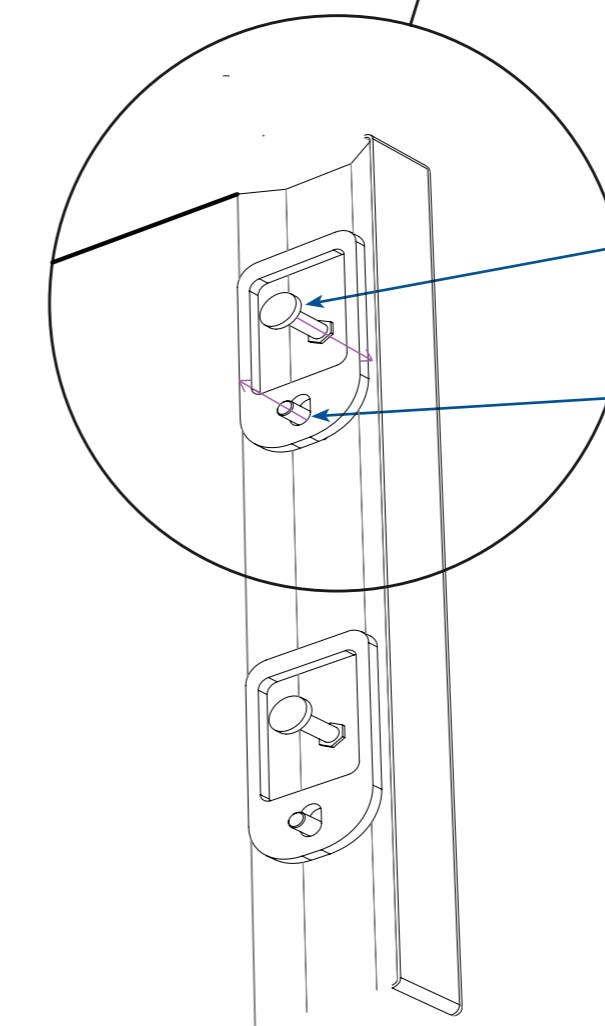
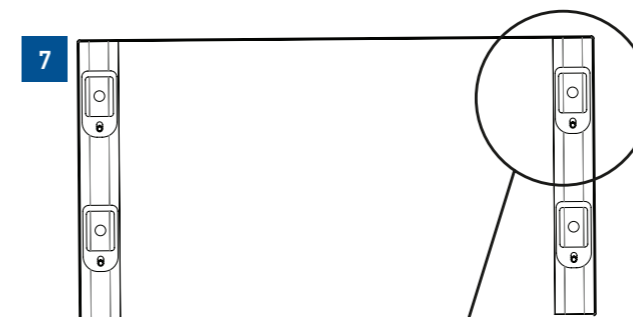
> Colocar las escuadras en cada grupo de marcas para asegurarse de que estén alineados [4], si se decide taladrar unos pequeños agujeros piloto para los tornillos prestar especial atención a no atravesar el panel por completo. [5].




> Atornillar las escuadras en su sitio [6].



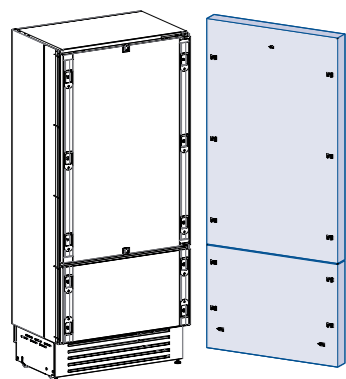
> Preparar la puerta del aparato para el montaje del panel, enroscando los pernos de hombro en los receptores empotrados y los tornillos de presión en el otro agujero [7]. Asegurarse de que el extremo con el casquillo hexagonal esté enroscado en la puerta y no en el extremo visible. Enroscarlo lo suficiente para que esté al ras de la cara de la puerta del aparato para no interferir con la suspensión del panel. Se podrán ajustar más adelante.



 Perno de hombro para colgar soportes y para tirar del panel hacia el aparato puerta.

 Tornillo de fijación utilizado para establecer la profundidad/eje z posición del panel y poner enfrente presión en cada punto de fijación para 'bloquear' panel en su lugar.

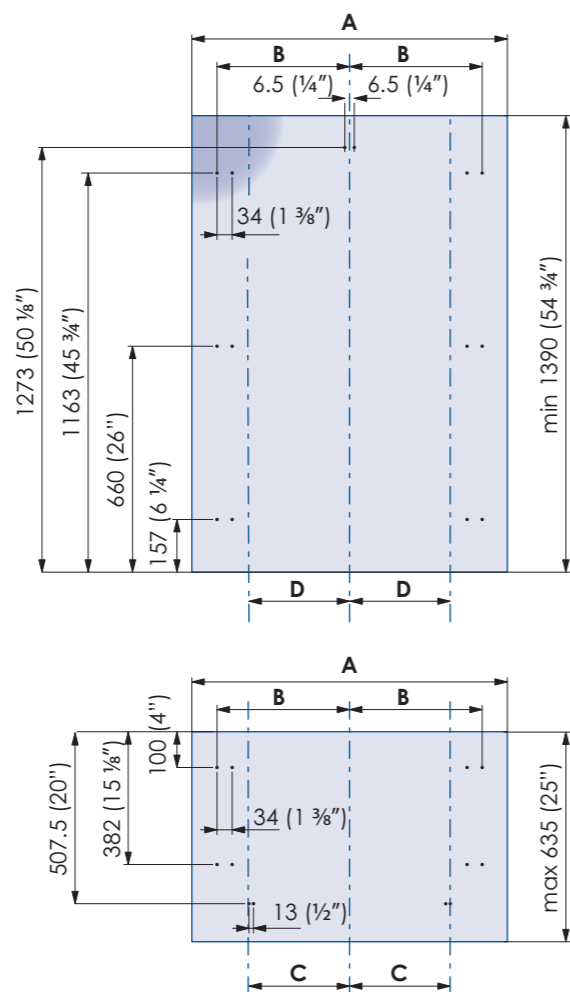
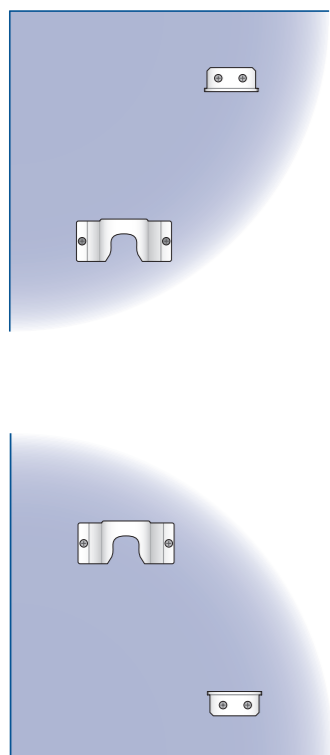
5.2 Preinstalación de los paneles decorativos para frigoríficos de un cajón



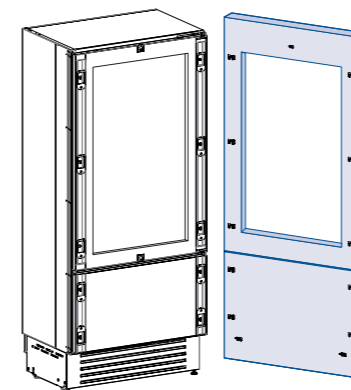
	Modelo 36"	Modelo 30"	Modelo 24"
A	908 (35 3/4")	756 (29 3/4")	604 (23-3/4")
B	417 (16 3/8")	342 (13 1/2")	276.5 (10 7/8")
C	354.5 (14")	279.5 (11")	203.5 (8")
D	368 (14 1/4")	302 (11 7/8")	235 (9 1/4")

La dimensión 'D' representa la zona segura para paneles de estilo vibrador/enmarcados para asegurar los soportes de montaje se pueden fijar a un área del panel con suficiente material para aceptar los tornillos.
 A: ancho total del panel
 B: Medida hasta el orificio exterior del soporte de suspensión
 C: Medida hasta el orificio exterior del soporte en L de posicionamiento vertical del panel del cajón
 D: Medida para designar 'zona segura'

Posiciones de los agujeros:



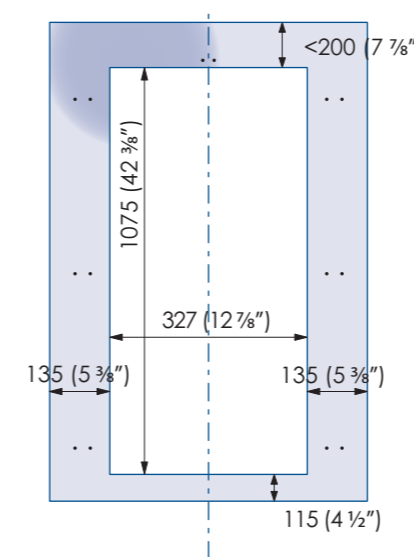
5.3 Preinstalación de los paneles decorativos para frigorífico con puerta de cristal y un cajón



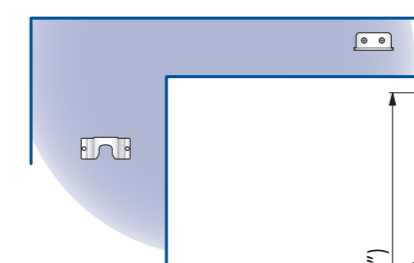
	Modelo 24"
A	597 (23 1/2")
B	276.5 (10 7/8")
C	203.5 (8")
D	235 (9 1/4")

La dimensión 'D' representa la zona segura para paneles de estilo vibrador/enmarcados para asegurar los soportes de montaje se pueden fijar a un área del panel con suficiente material para aceptar los tornillos.
 A: ancho total del panel
 B: Medida hasta el orificio exterior del soporte de suspensión
 C: Medida hasta el orificio exterior del soporte en L de posicionamiento vertical del panel del cajón
 D: Medida para designar 'zona segura'

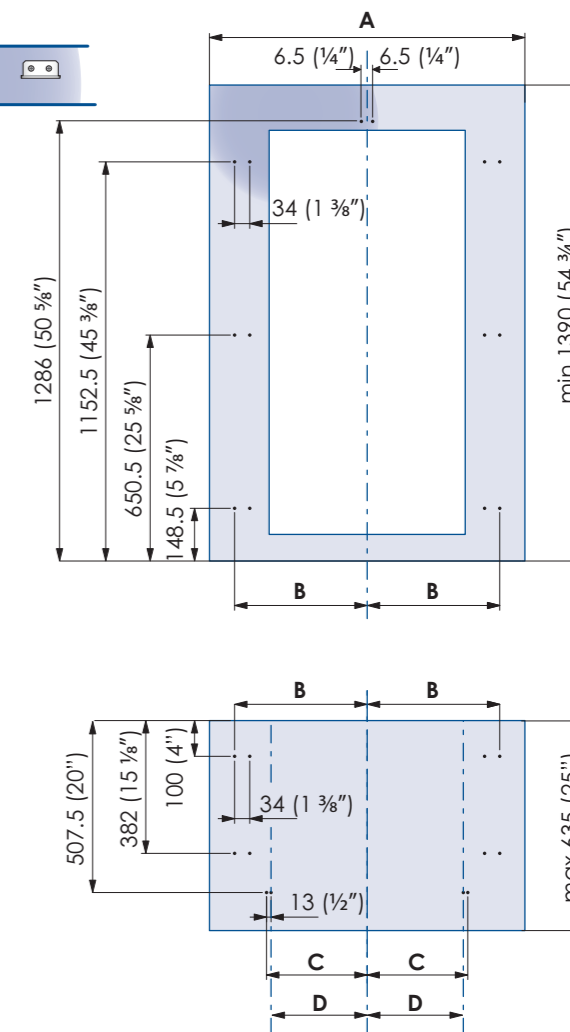
Medidas del orificio de la puerta:



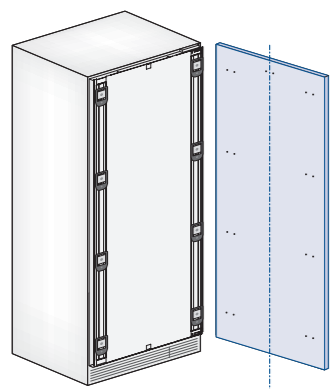
Orientación del soporte:



Posición de los orificios:



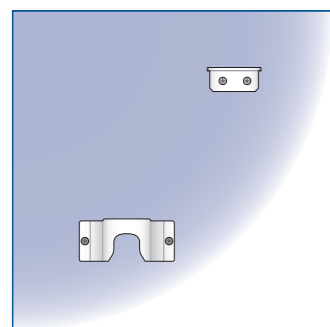
5.4 Diseño de paneles decorativos para columna



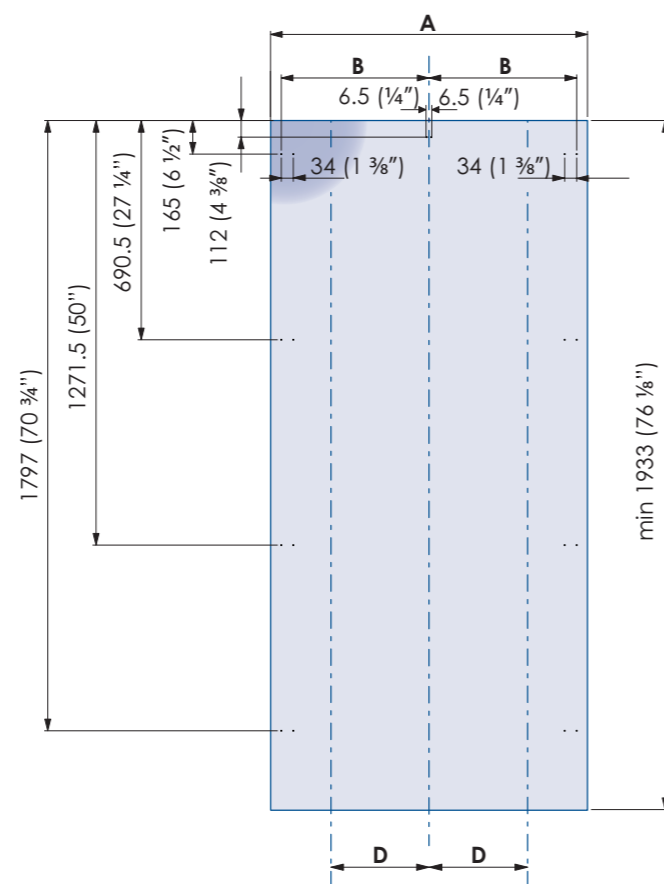
	Modelo 36"	Modelo 30"	Modelo 24"
A	908 (35 3/4")	756 (29 3/4")	604 (23-3/4")
B	418 (16 1/2")	343 (13 1/2")	275 (10 7/8")
D	368 (14 1/4")	302 (11 7/8")	235 (9 1/4")

La dimensión 'D' representa la zona segura para paneles de estilo vibrador/enmarcados para asegurar los soportes de montaje se pueden fijar a un área del panel con suficiente material para aceptar los tornillos.
 A: ancho total del panel
 B: Medida hasta el orificio exterior del soporte de suspensión
 D: Medida para designar 'zona segura'

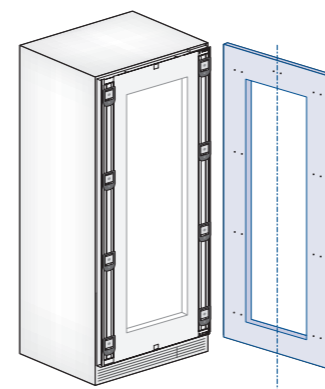
Orientación del soporte:



Posiciones de los agujeros:

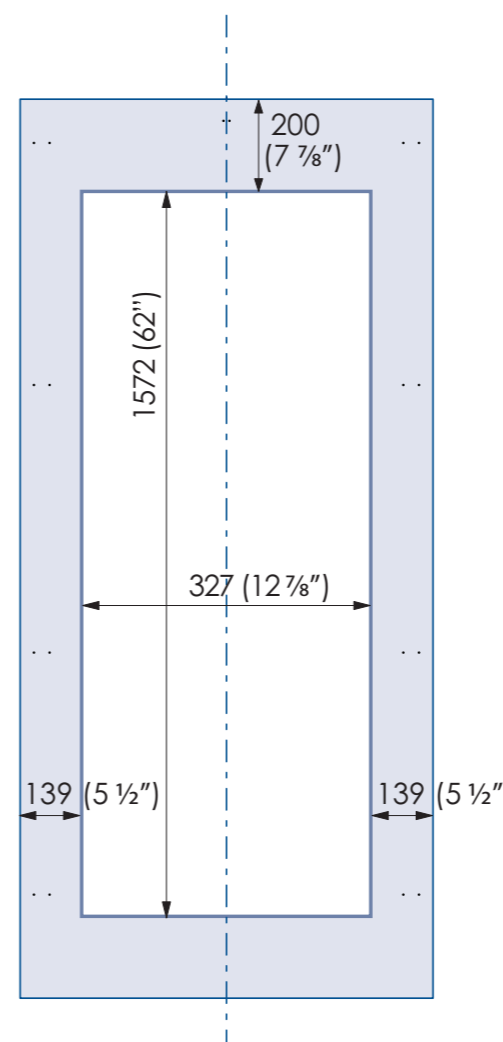


5.5 Diseño de paneles decorativos para columna con puerta de cristal

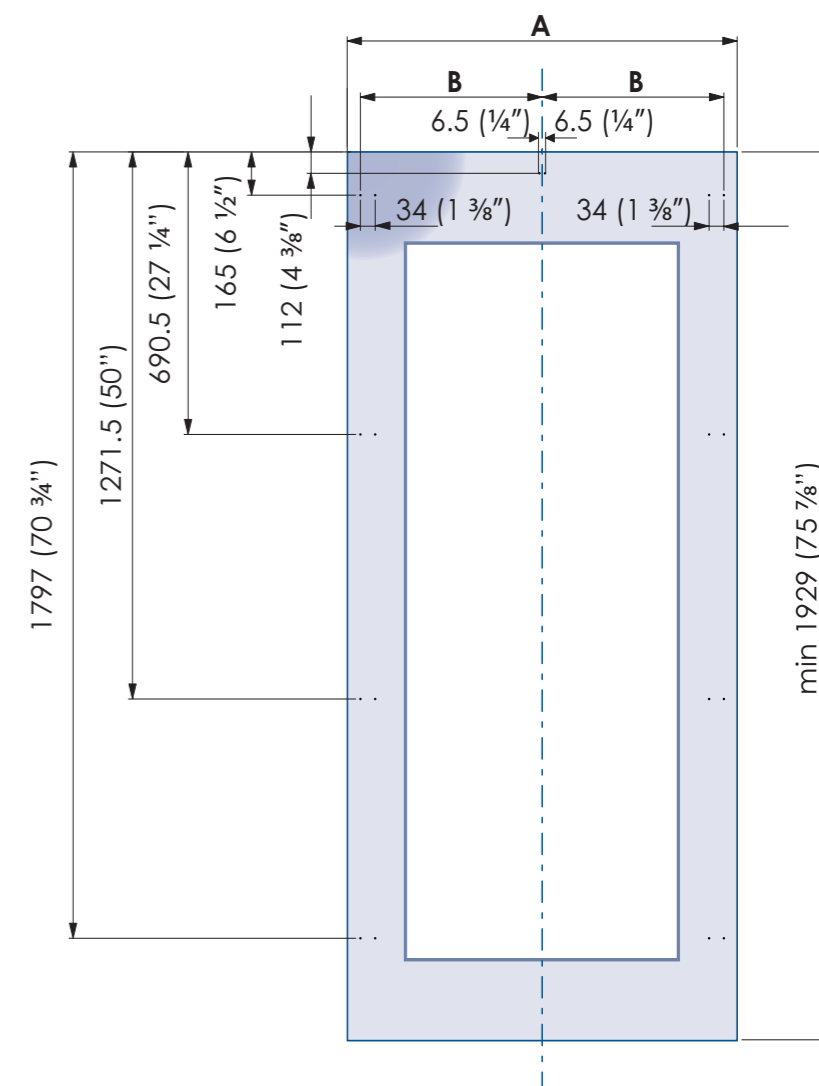


	Modelo 24"
A	604 (23 3/4")
B	275 (10 7/8")

Medidas de la ventana de la puerta:



Posiciones de los agujeros:

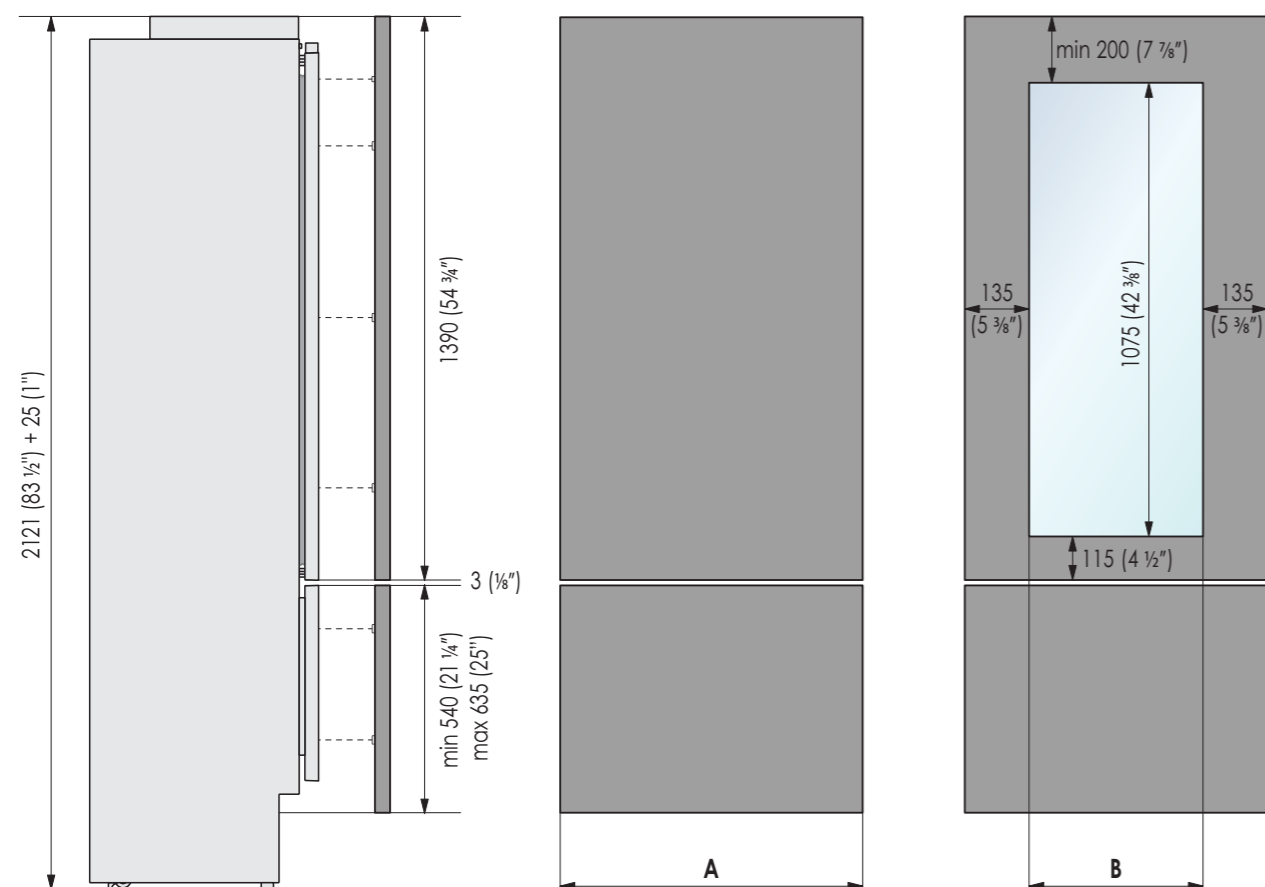


5.6 Medidas de los paneles de los modelos con un cajón

Los paneles pueden tener un espesor de entre 18 mm (3/4") y 28 mm (1-1/8"). Los paneles de la puerta pueden tener un peso máximo de 23 kg (51 libras) y los paneles de los cajones de 11 kg (25 lbs). Superar estos pesos puede provocar la anulación de la garantía en caso de problemas en el funcionamiento atribuibles al sobrepeso de los paneles.

La bisagra de los electrodomésticos Fulgor Milano se considera de «cero juego». Para las anchuras de la puerta y del cajón especificadas a continuación se considera que se está utilizando el ancho mínimo y que se desea contar con una jamba de 3,5 mm (1/8") alrededor de los paneles. Ajuste las dimensiones de su panel según sus propios criterios de diseño, considerando la anchura del nicho y de la jamba. La jamba /separación mínima no debería ser inferior a 1,5 mm (1/16").

SERIE	ANCHURA PUERTA Y CAJÓN A	ANCHURA ORIFICIO PUERTA B
36"	908 (35 3/4")	627 (24 3/4")
30"	756 (29 3/4")	477 (18 3/4")
24"	604 (23 3/4")	327 (12 7/8")



Ejemplo:
84" altura del nicho
36" anchura del nicho
4" altura del zócalo
1/8" separación deseada alrededor

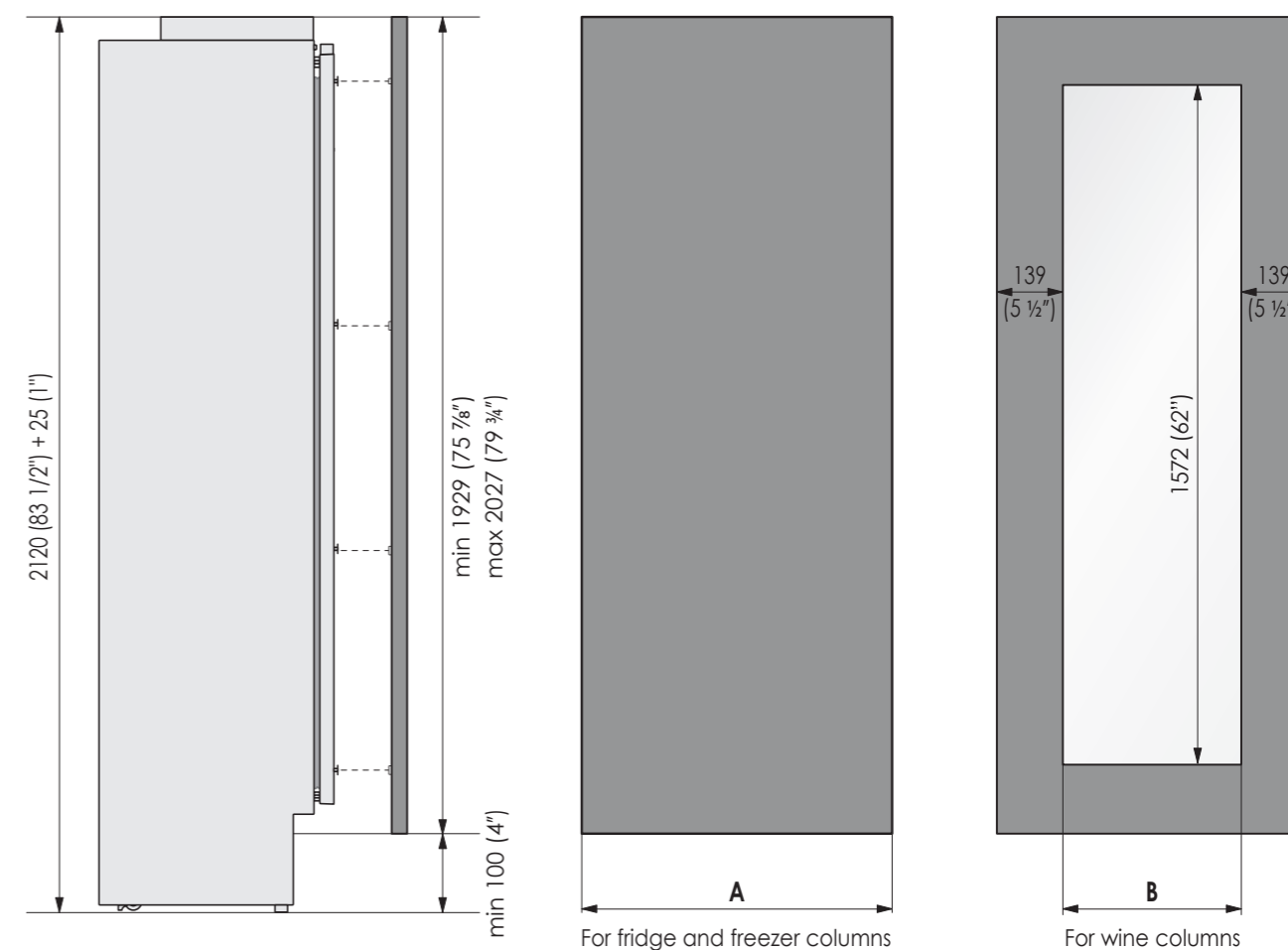
Panel de la puerta:
Anchura: 35-3/4"
Altura: 54-3/4"
Panel del cajón:
Anchura: 35-3/4"
Altura: 84"-1/8"-54-3/4"-1/8"-4"=25"
Si desea una altura de zócalo de 6", la altura del panel del cajón inferior deberá ser de 23"

5.7 Medidas de los paneles para los modelos de columna

Paneles con espesores entre 19 mm (3/4") y 28 mm (1 1/8"). Paneles de puerta con un peso máximo de 34 kg (75 lb). Exceder estos pesos podría anular su garantía por cualquier problema de servicio que pueda atribuirse a paneles excesivamente pesados.

El mecanismo de bisagra de los aparatos se considera como de "espacio nulo". Los anchos de puerta y cajón especificados a continuación asumen que se utilice el ancho mínimo de hueco y se desee alrededor de los paneles un espacio de 3,5 mm (1/8"). Ajustar las medidas de su panel según su propio criterio de diseño, considerando el ancho del hueco de que se dispone y el espacio libre deseado. El espacio/distancia libre mínimo no debe ser inferior a 1,5 mm (1/16").

SERIE	ANCHURA DE LA PUERTA - A	ANCHURA DE LA VENTANA DE VIDRIO DE LA PUERTA - B
36"	908 (35 3/4")	-
30"	756 (29 3/4")	-
24"	604 (23 3/4")	327 (12 7/8")



For fridge and freezer columns

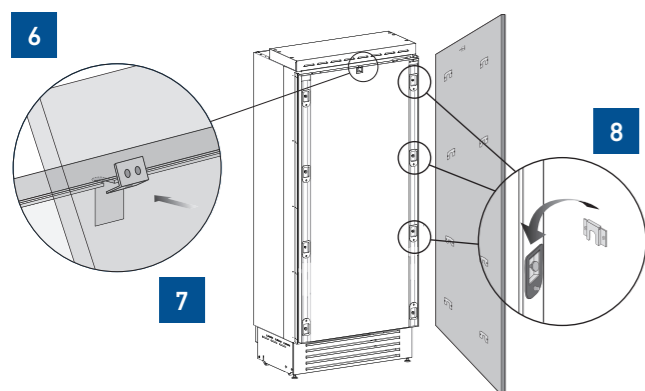
For wine columns

5.8 Montaje de los paneles en la puerta

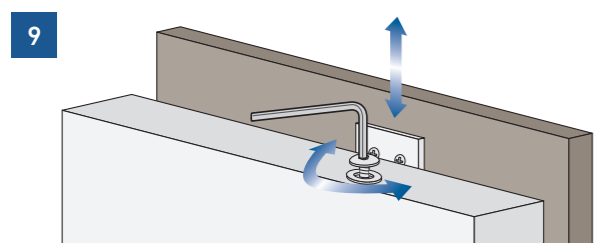
Una vez que todos los soportes y escuadras están montados en los paneles, se puede empezar a instalar el cajón inferior.

> Enganchar el panel a los dispositivos de fijación empezando por los soportes de alineación superiores [6].

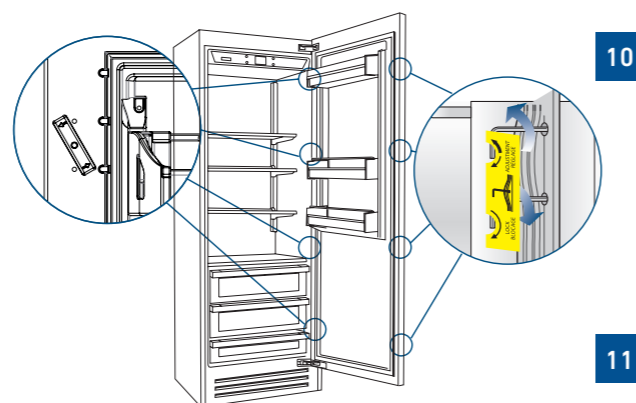
> Ahora, se puede ajustar la alineación entre el panel y los muebles adyacentes usando los soportes de alineación [7] y las escuadras [8].



> Para la alineación vertical: apretar o aflojar el tornillo de los soportes para subir o bajar el panel [9].



> Para la alineación de la profundidad: actuando desde el interior de la puerta, después de levantar la junta magnética en el lado del tirador y girando las tapas de plástico en el lado de las bisagras, ajustar la posición del panel en la dirección Z, ajustando los pernos de hombro y los tornillos de fijación con la llave hexagonal de 4 mm en conjunto entre ellos, y al final bloquear cada posición de montaje en su lugar. [10 y 11].



Una vez ajustado el panel frontal, comprobar que la junta se ha colocado correctamente para asegurarse de que la puerta/cajón se cierre correctamente y se eviten errores de funcionamiento del aparato.

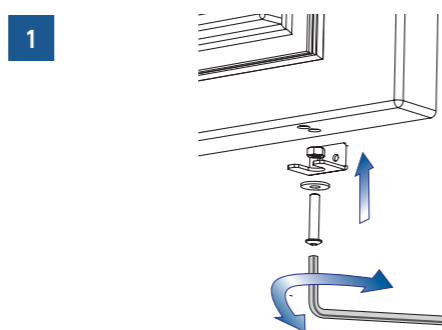
En los modelos que aceptan paneles superpuestos personalizados no se incluyen tiradores con el producto. Usted es libre de suministrar y montar sus propios tiradores en consonancia con la estética de su cocina o pedir un kit de accesorios de tiradores Fulgor Milano al distribuidor. Siga las instrucciones de montaje de los tiradores que se incluyen con ellos. Es posible que tenga que avellanar las cabezas de los tornillos al fijar los tiradores.

5.9 Montaje de los paneles y al cajón

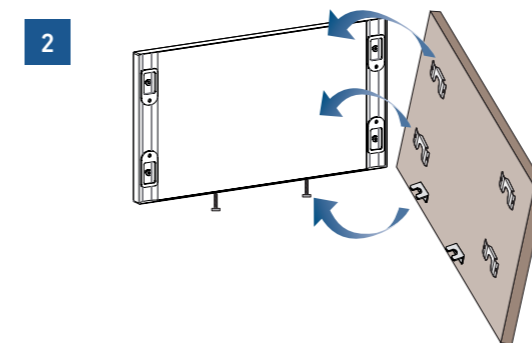
Una vez que haya montado todos los soportes y mangos en los paneles, puede comenzar a instalar la puerta.

Realizar lo siguiente:

> Apretar parcialmente los tornillos inferiores a los dispositivos de fijación en el cajón del aparato [1].

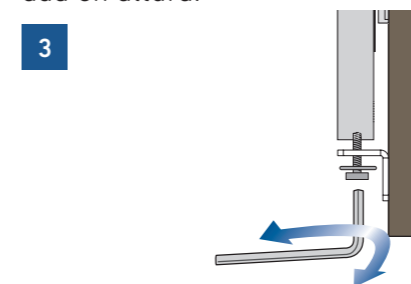


> Enganchar el panel al cajón empezando por las escuadras de regulación inferior [2].

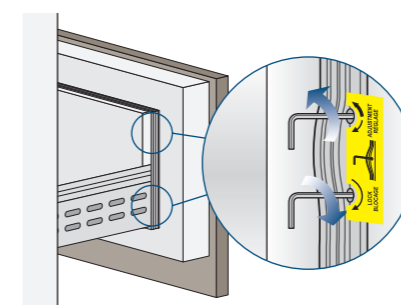


> Ahora puede alinear la altura de los paneles con los armarios adyacentes usando los pernos y soportes inferiores de alineación, [3] enroscando o desenroscando los tornillos en su posición según sea necesario. Con el tornillo ligeramente apretado, mueva el panel lateral y manualmente para alinearlo con los otros paneles de la unidad u otras estructuras adyacentes.

Ajustar los pernos de ajuste inferiores contra el fondo del cajón utilizando la tuerca de seguridad una vez que se haya obtenido la alineación deseada en altura.



> Alineación de la profundidad: desde el interior del cajón y después de levantar la junta magnética o girar la placa, si es necesario, ajuste la posición del panel en dirección Z regulando los pernos de hombro y los tornillos de fijación con una llave hexagonal de 4 mm, uno con otro hasta bloquear la posición de montaje [4 & 5].



5.10 Revelado de panel opcional de 1/8" para instalación de unidades múltiples

Nota: cuando se unen varios paneles superpuestos según las instrucciones de este documento para una sola instalación, el espacio/entrelazado resultante será de 3/16" entre los paneles. Si desea mantener un espacio de ~1/8" entre todos los paneles y los hastiales, puede agregar 1/16" a la dimensión de ancho del panel especificado para cada unidad.

Por ejemplo: unir una unidad de 24"+30"+36":

Ancho de apertura: 24"+30"+36"=90"

Anchos de panel estándar basados en instalaciones de una sola unidad: 23-3/4"+29-3/4"+35-3/4"=89-1/4"

Esto deja un espacio total de 3/4" dividido por 4 huecos= 3/16"

Si agrega 1/16" a cada panel: 23-13/16"+29-13/16"+35-13/16"=89-7/16"

Esto daría como resultado un espacio total de 9/16" dividido por 4 espacios = 9/64" (~1/8") entre paneles

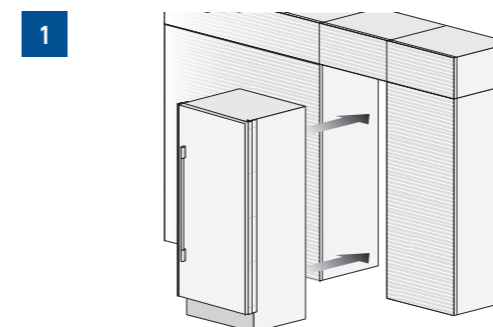
IMPORTANTE: Las siguientes instrucciones de instalación valen para todos los modelos Fulgor Milano.

6.1 Instalación empotrada de un solo aparato

Para una instalación empotrada, para cubrir los huecos entre el electrodoméstico y los gabinetes adyacentes y fije el electrodoméstico al gabinete, use el 10 juegos de soportes. Siga las instrucciones incluidas en la bolsa con los soportes para la colocación de los mismos en el aparato.

Proceder como sigue:

> Empujar el aparato en el hueco de instalación **[1]**.

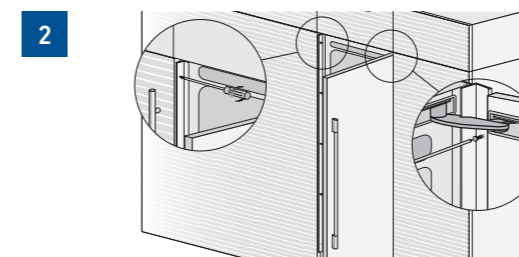


> Siempre se debe montar el panel frontal en la puerta antes de empujar el aparato a su posición final dentro del hueco o de la estructura.

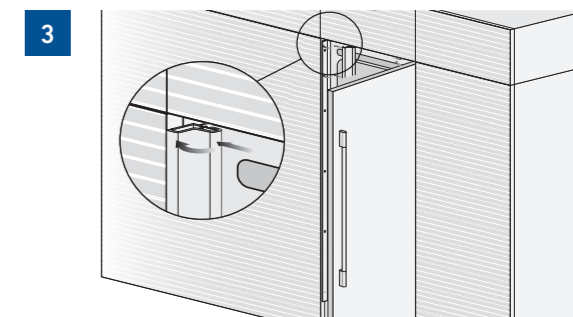
> Revisar la nivelación del aparato, ajustando sus patas y ruedas para corregirla.

> Fije el aparato a los armarios adyacentes usando los 10 soportes espaciadores **[2]**.

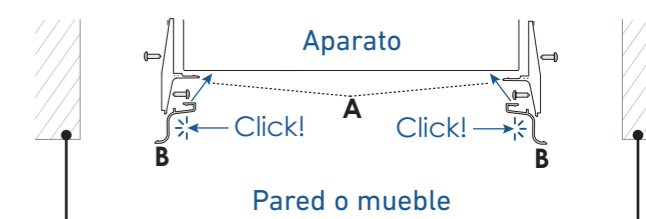
La puerta debe estar abierta para acceder a los soportes. No se incluyen los tornillos para la fijación de los soportes a los armarios adyacentes.



> Monte las cubiertas del soporte: primero insertarlas lateralmente y luego empujar firmemente hasta que se oiga un "clic" **[3]**.



Montaje de los perfiles laterales:



A soportes de unión de plástico

B Tapa de perfil

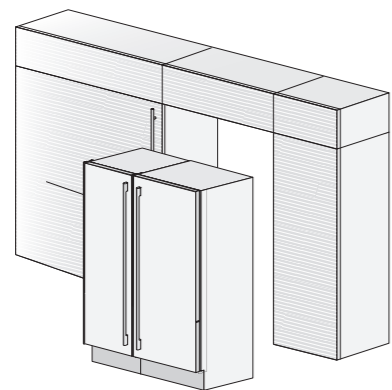
6.2 Instalación empotrada de dos o más aparatos

> Se proporcionan el perfil central con las columnas de congelador y armario cava.

Se proporcionan marcos de cobertura de plástico especiales para cerrar los espacios entre el aparato y los muebles adyacentes.

Proceder como sigue:

> Colocar los aparatos delante del área de instalación, dejando suficiente espacio para poder actuar en su parte trasera **[1]**.

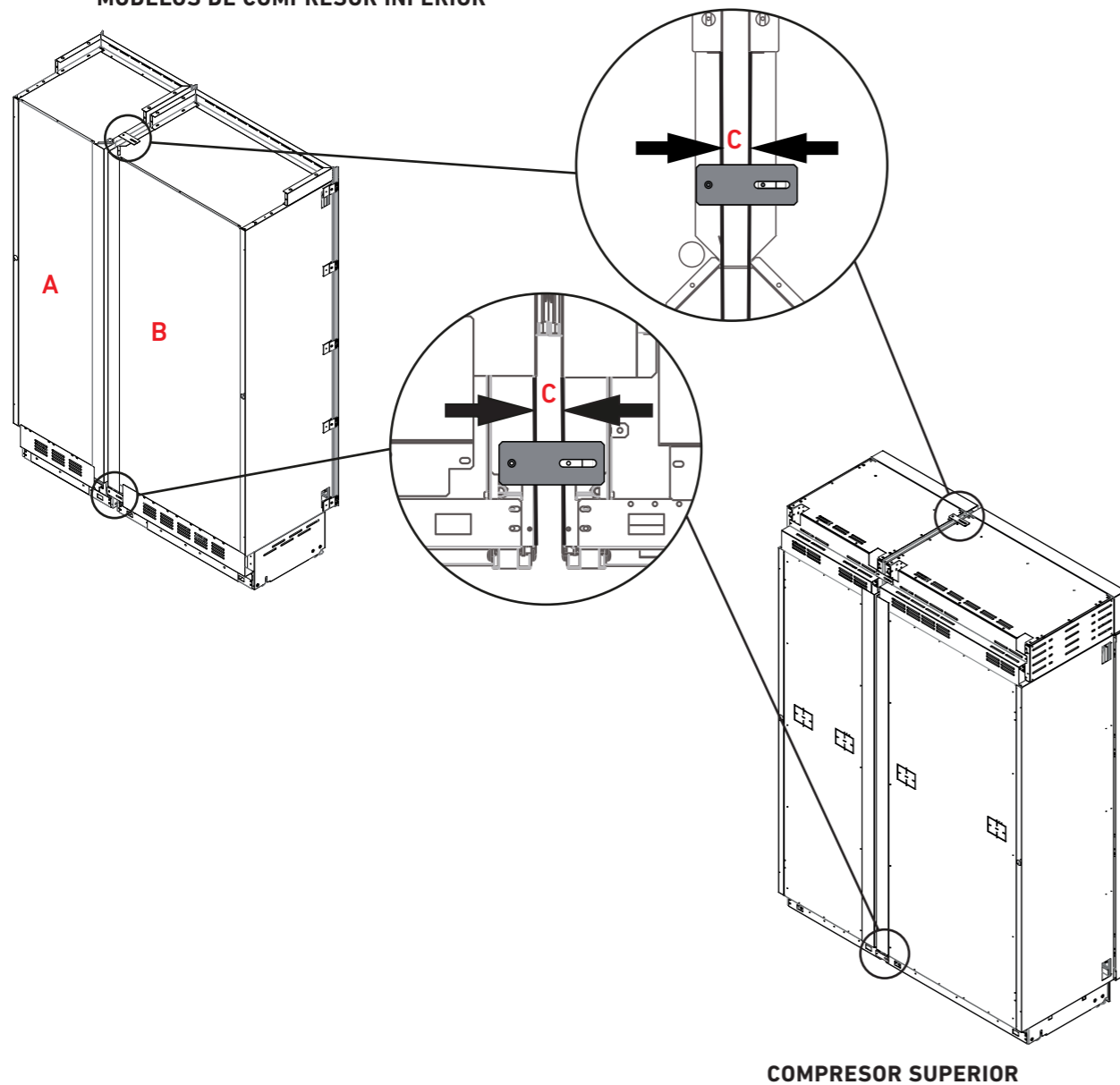


IMPORTANTE: los aparatos deben estar nivelados entre sí

> Acceda a la parte posterior de los aparatos para montar los soportes de unión: fije un lado de los soportes superior e inferior a uno de los aparatos y, posteriormente, al otro [1] teniendo en cuenta la separación según la tabla de las páginas siguientes.

1

MODELOS DE COMPRESOR INFERIOR

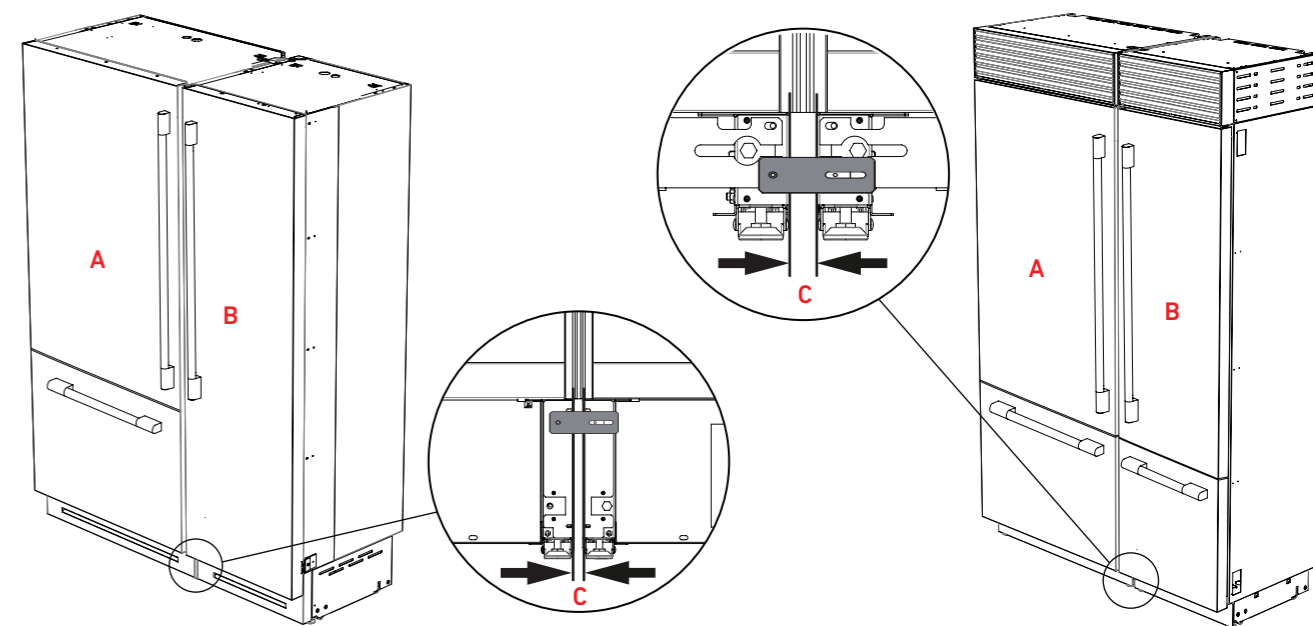


Haga lo mismo en la parte inferior delantera de cada aparato con el soporte suministrado [2].

2

BOTTOM COMPRESSOR UNITS

TOP COMPRESSOR UNITS

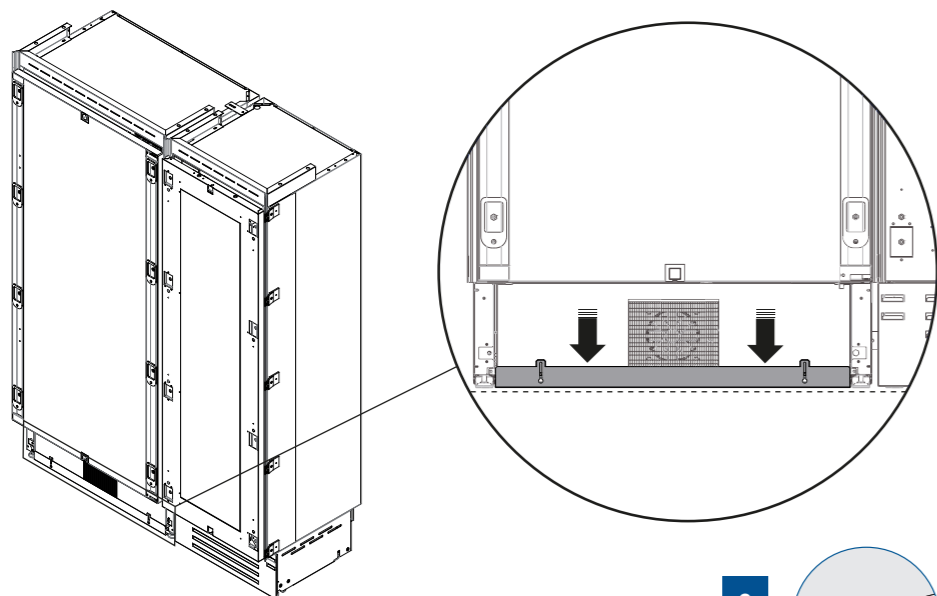


Distancia entre los aparatos (A+B)					
C	A				
	18"	24"	30"	36"	
B	18"	7/8" (22 mm)	15/16" (23.5 mm)	1" (24.5 mm)	1" (25.5 mm)
	24"	15/16" (23.5 mm)	1" (25 mm)	1" (26 mm)	1 1/16" (27 mm)
	30"	1" (24.5 mm)	1" (26 mm)	1 1/16" (27 mm)	1 1/8" (28 mm)
	36"	1" (25.5 mm)	1 1/16" (27 mm)	1 1/8" (28 mm)	1 1/8" (29 mm)

Una vez que los aparatos se hayan ajustado y nivelado correctamente, aflojar los dos tornillos que mantienen en posición la placa de sellado.

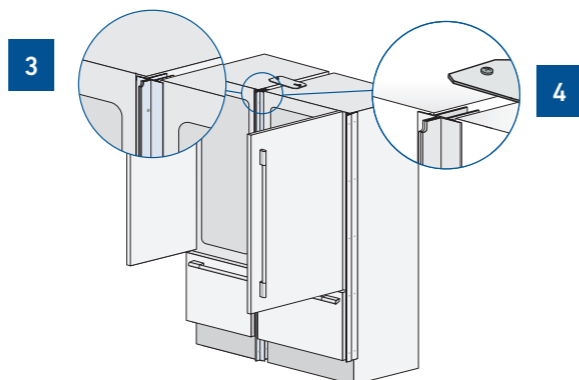
Bajar la placa hasta que quede al ras del suelo, y volver a apretar los tornillos. Esto asegurará un flujo de aire optimizado a través del condensador, flujo de aire necesario para contar con un funcionamiento adecuado.

Esta tabla es una referencia de cuál debe ser el espacio en la parte posterior de las unidades entre los cuerpos de los electrodomésticos al instalar los soportes metálicos del kit de unión. Este espacio entre los cuerpos se producirá de forma natural al conectar las unidades en la parte delantera utilizando los soportes de montaje de plástico suministrados. La tabla es una herramienta que le permite asegurarse de que el espacio entre las unidades sea consistente de adelante hacia atrás. Ejemplo de por qué esto es importante: si el espacio en la parte posterior entre las unidades es más ancho que el espacio en la parte delantera, al abrir los cajones pueden chocar entre sí cuando están completamente extendidos.

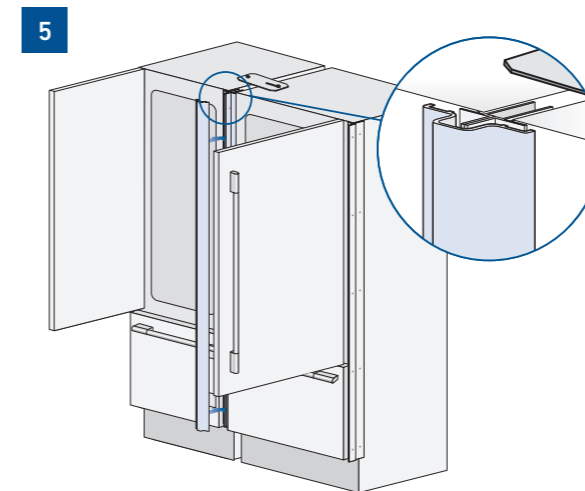


> A continuación, unirlos en la parte delantera fijando las escuadras de unión de plástico con los tornillos suministrados [3].

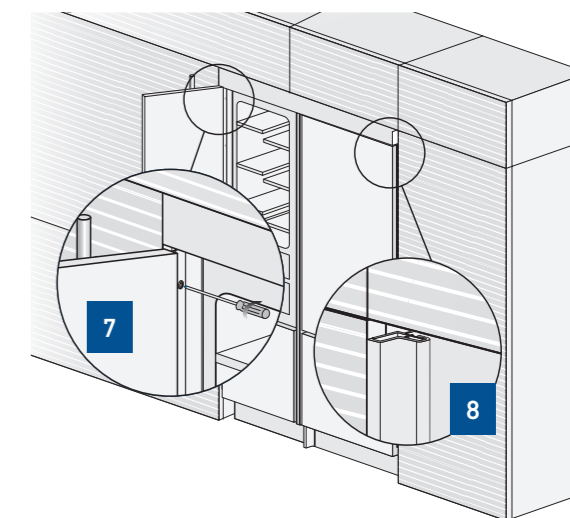
Se sugiere utilizar dos tornillos para conectar cada paréntesis; uno de cada lado [4].



> Terminar montando la tapa del perfil central sobre los soportes centrales utilizados para unir las unidades, empujándola hasta que se oiga un "clic" [5].



> Montar las tapas en los perfiles, primero insertarlas lateralmente y luego empujar firmemente hasta que se oiga un "clic" [8].



> Una vez completado, empujar los aparatos a su posición final [6].

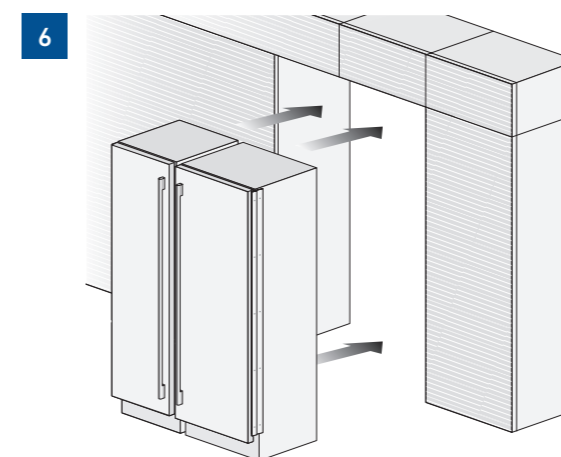
Siempre se deben montar los paneles frontales en la puerta antes de empujar el aparato a su posición final dentro del hueco o de la estructura.

> Revisar la nivelación del aparato, ajustando sus patas y ruedas para corregirla.

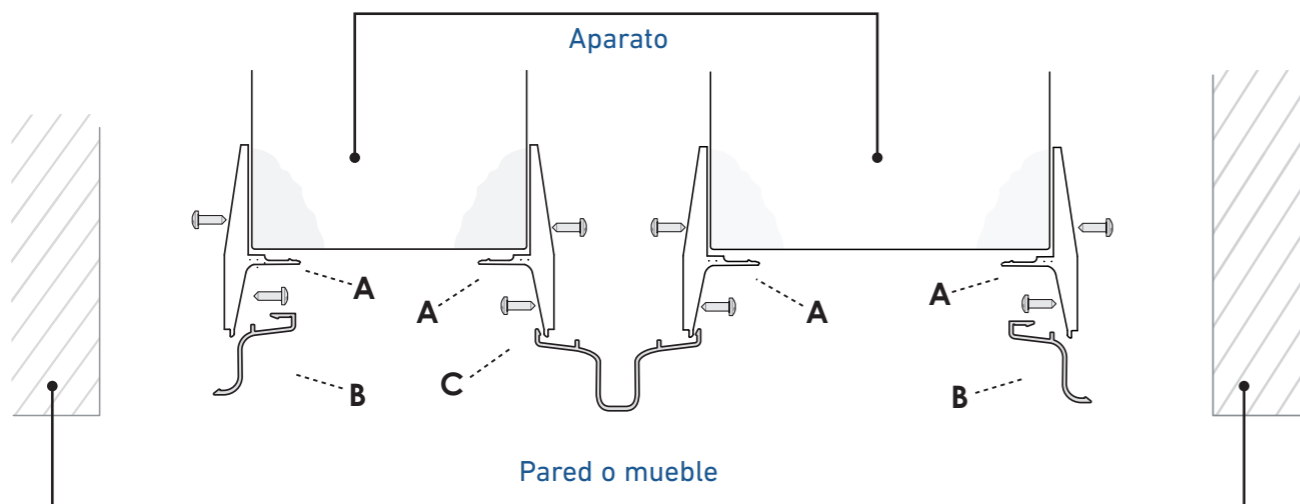
> Fije el aparato a los armarios adyacentes fijándolo con los soportes suministrados en el aparato [7].

La puerta debe estar abierta para acceder a los soportes para la fijación en el armario.

!!! Prestar atención, ya que los aparatos serán pesados en la parte delantera y pueden volcarse antes de fijarlos a los muebles adyacentes.



Montaje de los perfiles laterales y centrales:



- A - Escuadras de unión / montaje de plástico
- B - Tapa de perfil (lateral)
- C - Tapa de perfil (central).

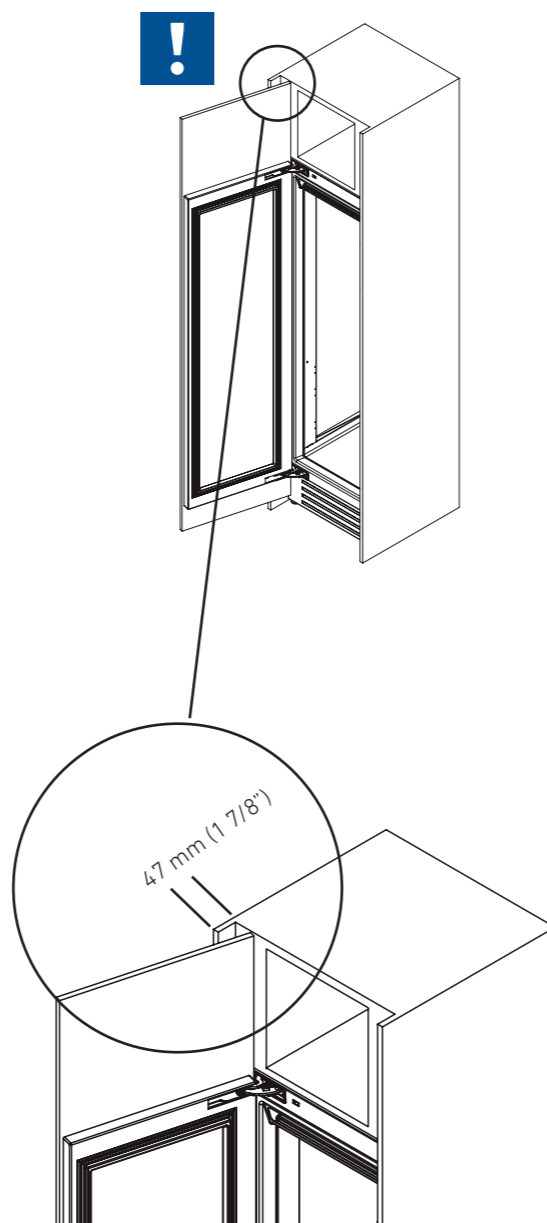
6.3 Profundidad máxima de la estructura por encima del aparato empotrable con una sola puerta

Es posible que el diseño de la cocina y, en particular, del hueco donde se va a instalar el aparato integrable incluya un mueble justo encima del propio refrigerador que debe cerrarse con el mismo panel montado en la puerta del refrigerador integrable.

En este caso, **la profundidad del mueble por encima del aparato no debe exceder la profundidad del aparato sin la puerta [1]**.

Esto permitirá que el panel unido a la puerta del refrigerador se abra correctamente sin interferencias durante su rotación hasta 100°.

Asegúrese de no exceder las limitaciones de peso del panel

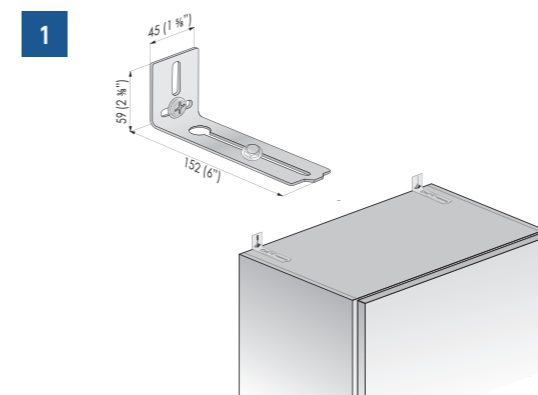


7.1 Montaje de la seguridad antivuelco

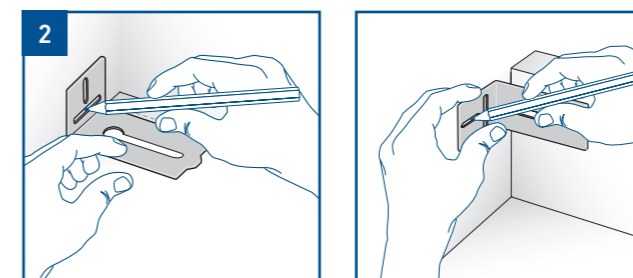
Si el o los aparatos no se unen mediante los perfiles laterales a los muebles asegurados, se deben instalar las escuadras antivuelco para garantizar que el aparato no caiga hacia delante al utilizarlo y cause daños o lesiones. El hecho de no fijar los aparatos de forma segura anulará cualquier reclamación de garantía atribuible a una situación de vuelco.

Proceder como sigue:

> Las escuadras se deben montar como se muestra, utilizando los tornillos suministrados. Si se utilizan las escuadras antivuelco, se debe amarrar a un bloque de madera o de hormigón - un simple panel de yeso no soportará el peso del aparato. Colocar una escuadra en la parte superior del aparato, coincidiendo con los agujeros de fijación y contra la pared [1].



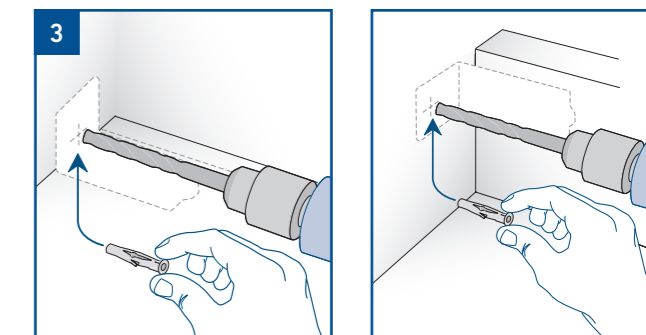
> Marcar la posición de los agujeros en la pared [2].



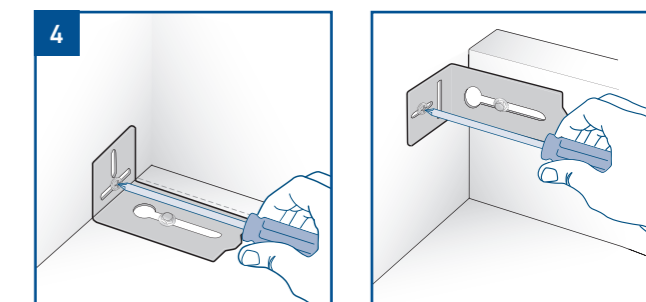
COMPRESOR INFERIOR

COMPRESOR SUPERIOR

> En el caso del hormigón, taladrar la pared con una broca de 8 mm (3/8") y poner el taco de expansión [3].



> Reposicionar la escuadra y fijarla primero al aparato y luego a la pared [4].



COMPRESOR INFERIOR

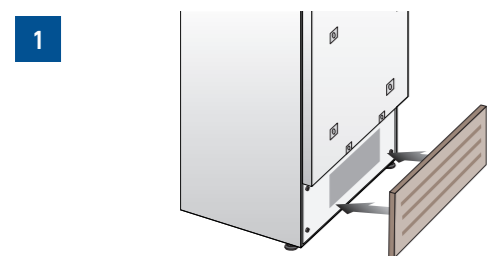
COMPRESOR SUPERIOR

Para utilizar las escuadras antivuelco en los modelos con el compresor arriba, será necesario retirar temporalmente la parte superior, el plafón/panel metálico superior para acceder a los puntos de atornillado de las escuadras.

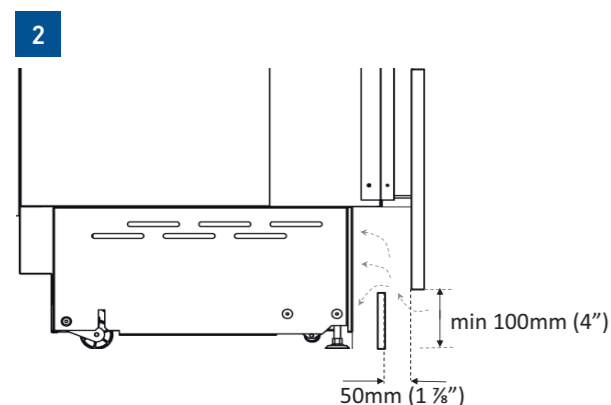
7.2 Ventilación

MODELOS INTEGRABLES Y CON PUERTA

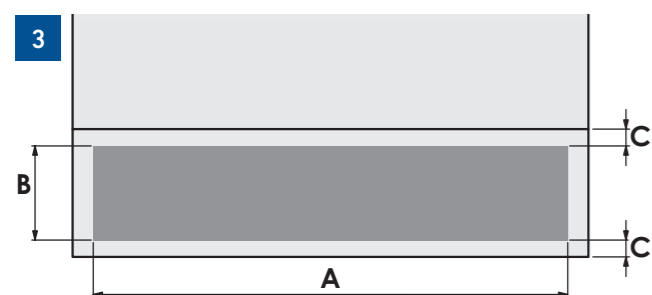
Un sistema de aire forzado asegura la ventilación a través de una rejilla, asegurada al aparato por medio de placas magnéticas, situada en la parte frontal inferior del aparato [1].



Si el mueble de cocina incluye un zócalo, se debe colocar de manera que se asegure un óptimo flujo de aire [2].

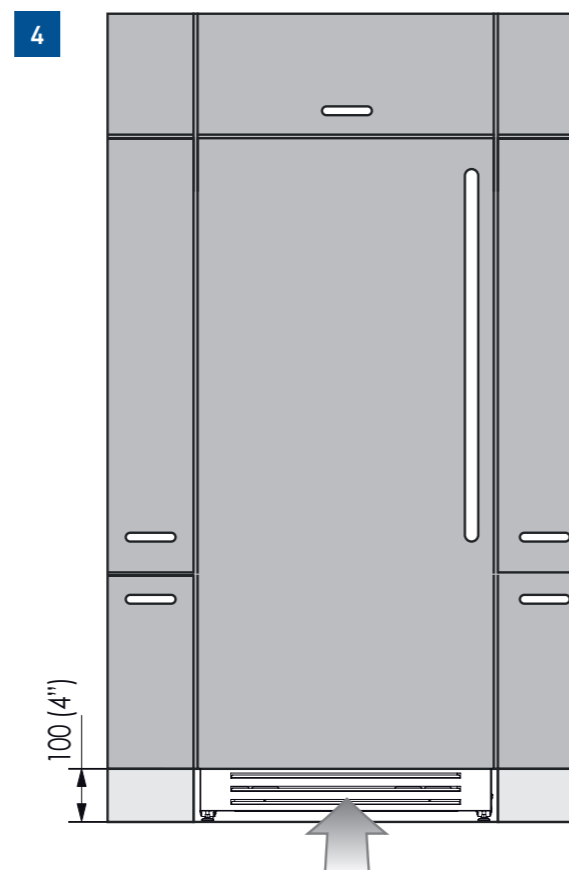


En caso de colocar un zócalo de manera diferente a la de la imagen (2), es necesario perforar el zócalo al menos en un área igual al 50 % del área delimitada por las medidas A y B de la imagen [3].



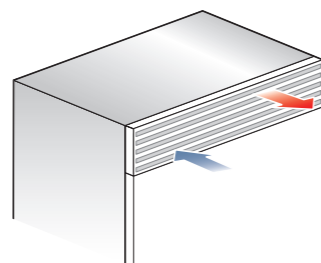
	Modelo 36"	Modelo 30"	Modelo 24"
A	860 (33 7/8")	740 (29 1/8")	560 (22")
B	> 100 (4")		
C	10 (3/8")		

Es necesario limpiar con regularidad el condensador. Para ello, se debe tener acceso a la rejilla frontal [4].



SERIE Stainless exterior Pro

La ventilación se logra mediante un sistema de aire forzado a través de una rejilla ubicada en la parte superior del aparato. Esta rejilla no debe estar nunca cubierta por paneles u otros dispositivos que puedan reducir su eficiencia. Consulte secciones técnico de especificaciones para los modelos Stainless exterior Pro para garantizar una correcta circulación del aire.

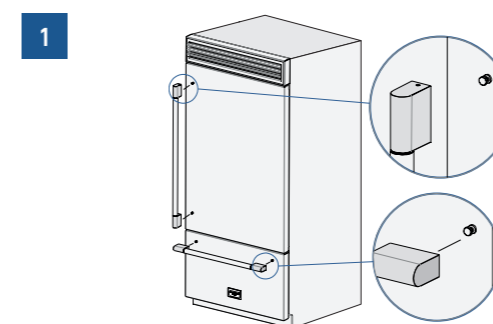


7.3 Montaje de las manillas

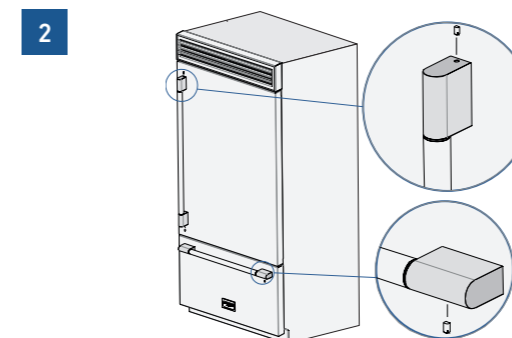
Las manillas se deben montar en los paneles decorativos de la puerta y el cajón antes de fijar los paneles al frigorífico.

Realizar lo siguiente:

> Introducir los separadores de la manilla en los dos pernos de la puerta y del cajón [1].



> Atornille los tornillos Allen disponibles en el mango [2].




Los tornillos deben apretarse con una llave hexagonal de 2,5 mm (1/8"). Se recomienda utilizar un compuesto bloqueador de roscas en los tornillos de fijación para garantizar que no se aflojen con el tiempo/uso.

Warranty does not cover re-installation of handles that are coming loose or come off or any subsequent damage since they are the responsibility of the installer / owner to ensure proper installation.

7.4 Lista de verificación posterior a la instalación

- Comprobar que las patas niveladoras delanteras estén instaladas correctamente.
- Comprobar que la conexión a la red del agua no presente fugas y que se acceda fácilmente a la llave de paso.
- Comprobar que la conexión eléctrica haya sido efectuada correctamente y que se acceda fácilmente al enchufe y/o al interruptor.
- Comprobar la perfecta alineación del aparato con las estructuras adyacentes.
- Comprobar que se hayan quitado todas las cintas adhesivas y los dispositivos de protección temporal externos o internos.
- Comprobar que las puertas se cierren perfectamente y que los cajones y los estantes se deslicen suavemente.


7.5 Puesta en marcha

> Para encender todos los compartimentos del aparato, pulsar el icono  durante tres segundos. En la pantalla se mostrará el mensaje "Prueba inicial" durante aproximadamente 2 minutos. Después de esta fase los compresores se pondrán en marcha y permanecerán encendidos hasta que en el compartimento se alcancen las temperaturas establecidas.

> Si el aparato está provisto de una Máquina de hielo, antes de encenderlo hay que asegurarse de que el cartucho de filtro del agua esté instalado (a menos que el suministro de agua ya esté filtrado por otros medios, como la ósmosis inversa).



> Eliminar el aire de las líneas del agua activando la función de "Limpieza manual". Es posible que se tenga que efectuar esta secuencia varias veces hasta que no se oiga más aire salir por tubo de llenado de la Máquina de hielo (consúltese el manual de uso y mantenimiento).

> Una vez que esté satisfecho de que el sistema se haya purgado de aire encienda la máquina de hielo en la máquina de hielo elemento de menú de las funciones  del aparato. Por favor consulte el Manual de uso y cuidado para obtener más detalles.

> Para obtener más información sobre el funcionamiento del aparato, consultar el Manual del Usuario.



Si al primer encendido aparece mensajes, como Refrigerador demasiado caliente, Congelador demasiado caliente, o se activan las señales sonoras, quiere decir que el aparato ya ha empezado previamente el proceso de enfriamiento. En este caso, desactivar cualquier eventual señal sonora pulsando el icono Alarma, cerrar la puerta y esperar hasta que se alcance la temperatura establecida.

Deje que el aparato funcione / se enfríe durante al menos 24 horas. Si las temperaturas establecidas no han se ha logrado con un servicio de contacto las 24 horas.



Es necesario dejar que el aparato alcance la temperatura correcta antes de poner alimentos dentro.

Some features (such as the ice maker) may be grayed out or unable to be enabled until the appliance has reached its set temperatures.

Fulgor Milano investiga continuamente nuevas formas de mejorar las características y el diseño de sus productos, por lo que actualiza y revisa a menudo los modelos y puede que no siempre aparezca como se ilustra.

FULGOR
MILANO

— SINCE 1949 —