

24" GAS COOKTOP



MODEL CODE

MATTEO 400 SERIES

F4MGK24MB1



Heavy-Duty Grates



Continuous Grate Surface



Dual-Flame Burner



Automatic Reignition System



Brass Burners



Americans with Disabilities Act †

DESCRIPTION

The Matteo 400 Series 24" gas cooktop seamlessly blends sleek style with practical functionality. Its high-quality brass burners and sophisticated matte black porcelain finish enhance both elegance and ease of cleaning. The contemporary design adapts beautifully to various kitchen styles, while durable cast iron grates provide a stable and user-friendly surface that's easy to clean. With a continuous cooking surface, a versatile burner layout, and the added safety of automatic re-ignition, it's perfect for everyday meals or gourmet creations, delivering consistent performance and elevating your culinary experience.

FEATURES

- 4 gas burners with 1 dual-flame burner (front-left)
- Matte Brass burners
- Automatic re-ignition system
- Heavy-duty continuous cast iron grates
- Durable and easy-to-clean Matte Black porcelain base
- Convertible to Liquid Propane

INCLUDED ACCESSORIES

- | | |
|-------------|-------------------|
| 41091255 | Installation Kit |
| 49000100543 | LP Conversion Kit |

OPTIONAL ACCESSORIES

- | | |
|-------|--------------|
| FMWOK | Wok Ring |
| FMSIM | Simmer Plate |

† To achieve full ADA compliance, please consult the current ADA requirements for product installation instructions.

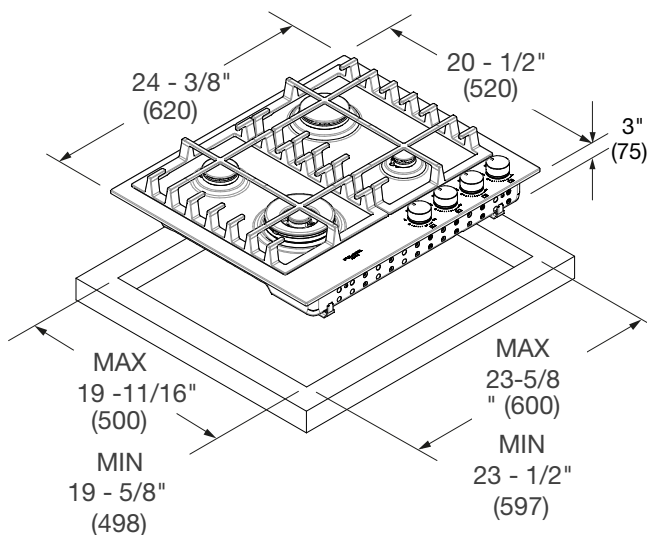
24" GAS COOKTOP



MODEL CODE

MATTEO 400 SERIES

F4MGK24MB1



| MODEL CODE | 24" GAS COOKTOP F4MGK24MB1 | |
|---|--|-------------|
| GENERAL DETAILS | | |
| Finish | Matte Black Porcelain | |
| Control Type | Knobs | |
| Fuel Type | Gas (NG or LP) | |
| Heavy-Duty Cast Iron Grates | 2 | |
| Cooking Zones | 4 | |
| Sealed Burners | Yes | |
| DIMENSIONS / WEIGHT | | |
| Product Width, in. (mm) | 24-3/8 | (620) |
| Product Height, in. (mm) | 5-1/4 | (132) |
| Product Depth, in. (mm) | 20-1/2 | (520) |
| Cutout Width (min-max), in. (mm) | 23-1/2 - 23-5/8 | (597 - 600) |
| Cutout Height (min), in. (mm) | 3-3/8 | (86) |
| Cutout Depth (min-max), in. (mm) | 19-5/8 - 19-11/16 | (498 - 500) |
| Net Weight, lbs. (kg) | 29 | (13) |
| POWER / RATINGS (120 V, 60 Hz) | | |
| Power (min-max) (Front-L) | 850 BTU/h (250 W) - 20000 BTU/h (5865 W) | |
| Power (min-max) (Front-R) | 1000 BTU/h (295 W) - 4000 BTU/h (1175 W) | |
| Power (min-max) (Rear-L) | 1300 BTU/h (380 W) - 8000 BTU/h (2350 W) | |
| Power (min-max) (Rear-R) | 2200 BTU/h (645 W) - 1200 BTU/h (2520 W) | |
| TECHNICAL DETAILS | | |
| Amperage Rating | 0.1 A | |
| Maximum Power | 44000 BTU/h (12900 W) | |
| Power Cable | 3 Prong Nema 5 - 15P | |
| Power Cable Length, in. (mm) | 51 | (1300) |
| Electrical Circuit | 120 V - 60 Hz - 15 A | |
| LP Kit Included | Yes | |
| INSTRUCTIONS FOR USE | | |
| Use & Care Manual / Installation Manual | English / French / Spanish | |
| WARRANTY | | |
| Limited Warranty | Parts and Labor (2-year) | |