

Fully Integrated  
18" Freezer with Internal Ice Maker

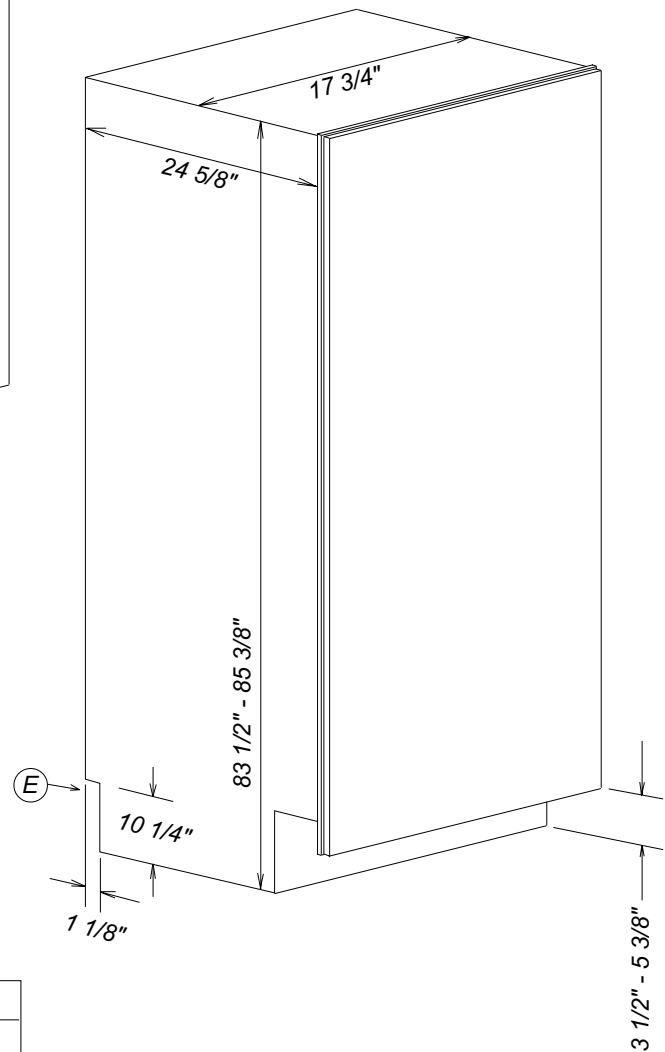
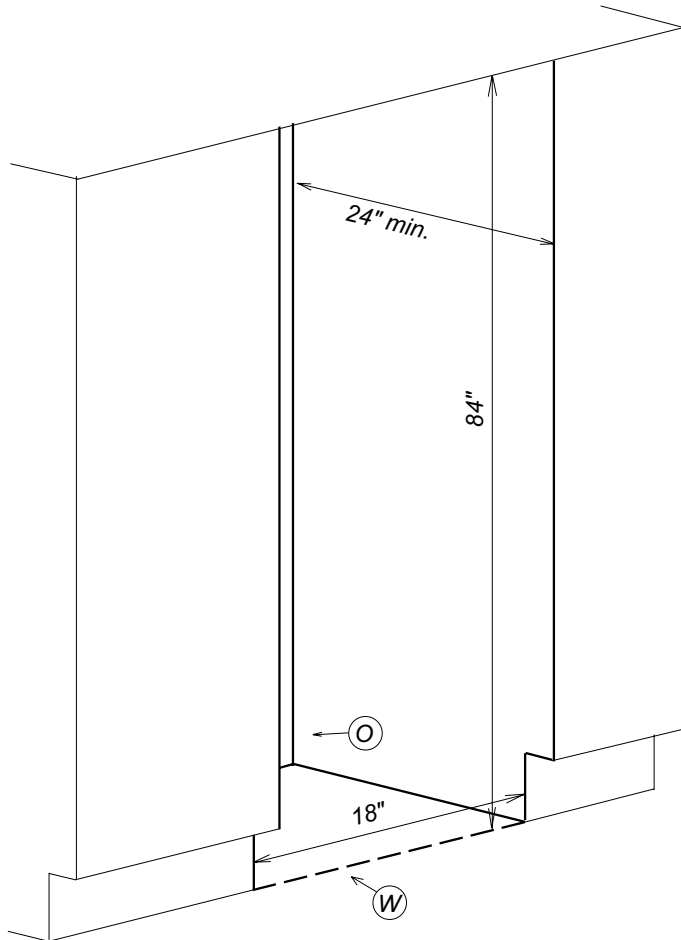
F 1413 SF



# Fully Integrated 18" Freezer with Internal Ice Maker F 1413 SF



FOR PROUD INSTALLATION



### Location Codes

- E - 5 foot - 120 Volt - 15 Amp 3-wire molded plug power supply connects lower left rear
- O - Standard NEMA 5-15 Duplex Outlet - locate less than 9" above finished floor
- W - 1/4" flexible water line - tape to floor

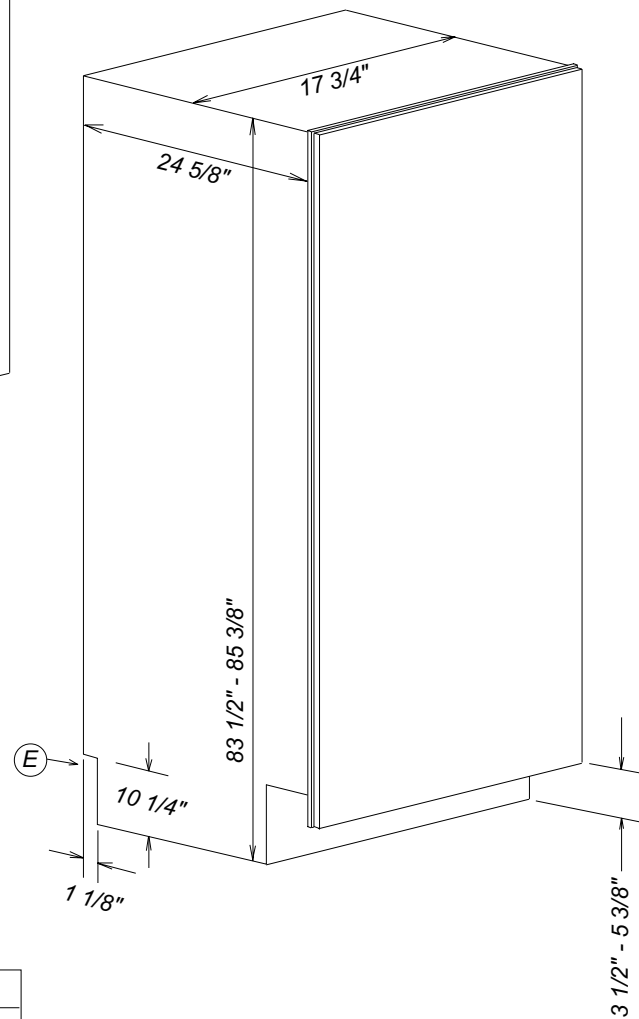
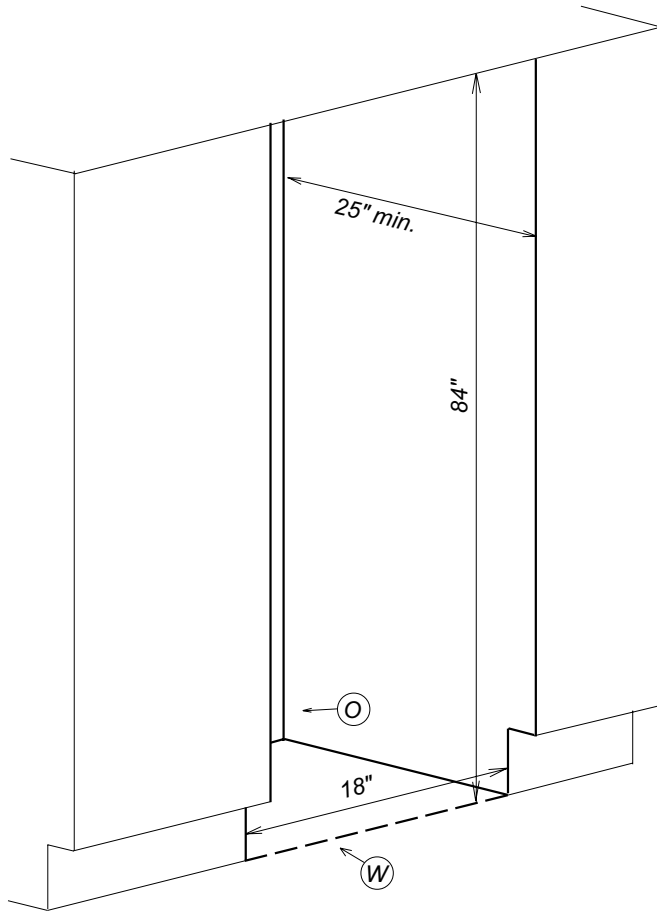
### Notes

- All Installations must be done in accordance with local codes

# Fully Integrated 18" Freezer with Internal Ice Maker F 1413 SF



FOR FLUSH INSTALLATION



### Location Codes

- E - 5 foot - 120 Volt - 15 Amp 3-wire molded plug power supply connects lower left rear
- O - Standard NEMA 5-15 Duplex Outlet - locate less than 9" above finished floor
- W - 1/4" flexible water line - tape to floor

### Notes

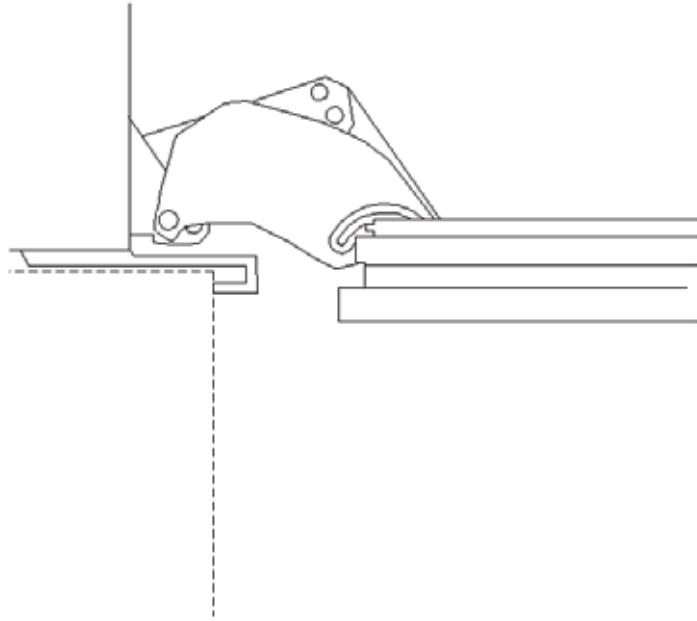
- All Installations must be done in accordance with local codes
- Sides of adjoining cabinets should be filled (flush to frame) to insure proper fit and finish

# Fully Integrated 18" Freezer with Internal Ice Maker F 1413 SF

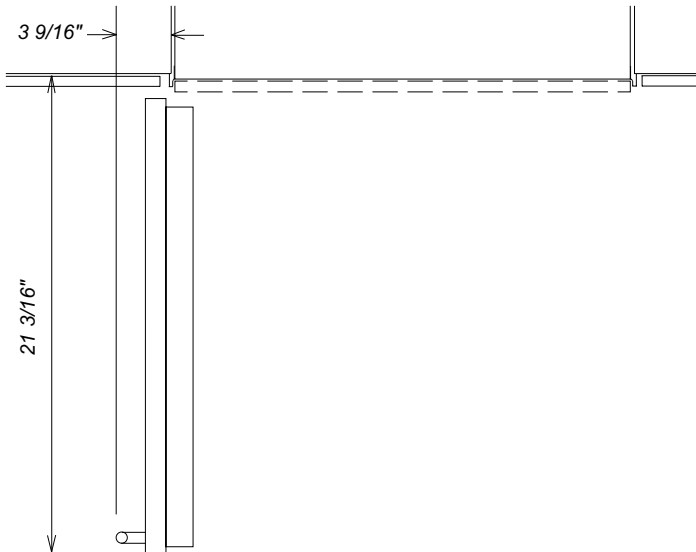


## HINGING DETAILS

### 90° Door

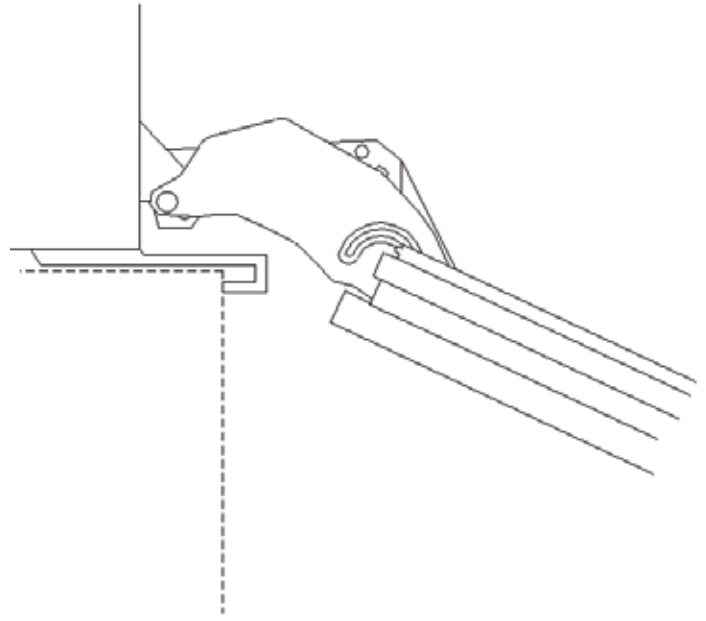


Door Swing

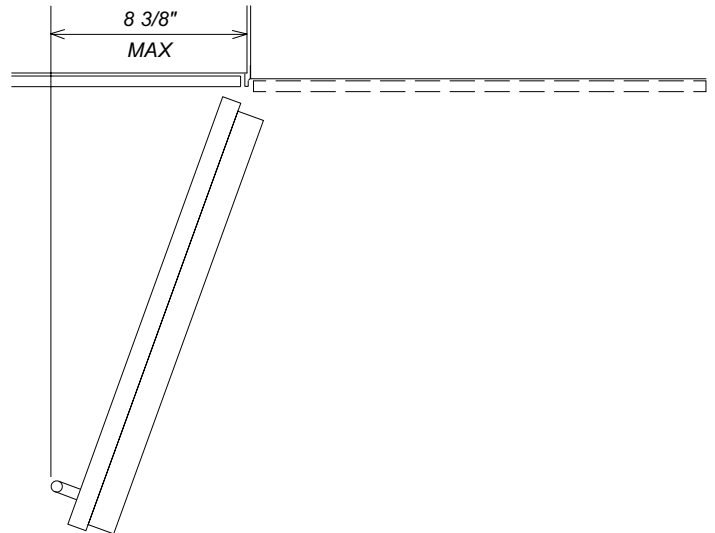


**NOTE:** Additional space needed depending on the thickness of front panels and handle used.  
**Freezer units cannot be stop pinned at 90°**

### 115° Door



Door Swing



**NOTE:** Additional space needed depending on the thickness of front panels and handle used.  
**Freezer units cannot be stop pinned at 90°**