

MasterCool Refrigeration
Side-by-Side Merging Combinations
For SF Models

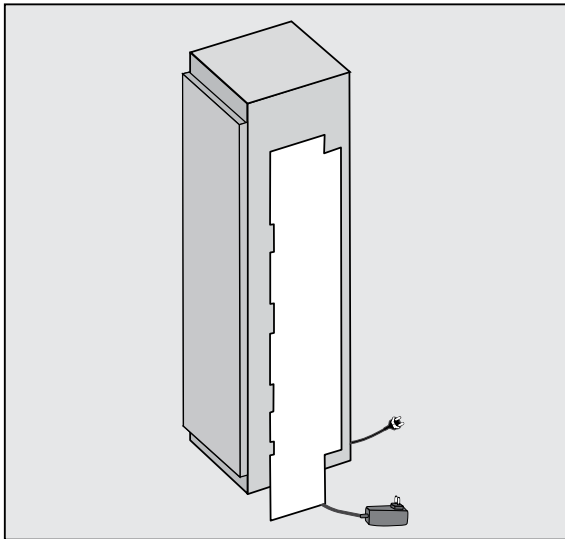
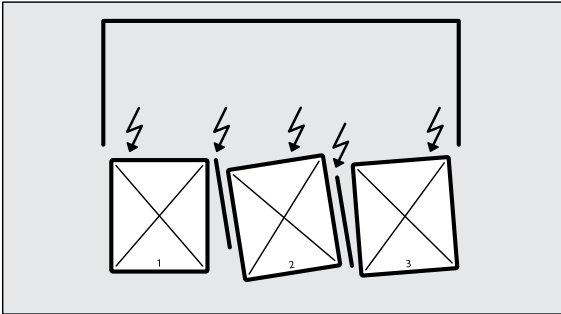


Side-by-Side Merging Kit KSK 1002



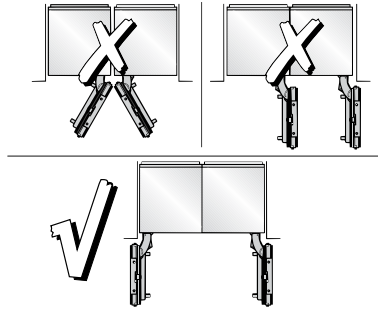
This merging kit should be used for side-by-side installation of the following models:

- K 18x1 SF, K 19x1 SF,
K 18x3 SF, K 19x3 SF
- F 14x1 SF, F 18x1 SF, F 19x1 SF
F 14x3 SF, F 18x3 SF, F 19x3 SF
- KF 18x1 SF, KF 19x1 SF,
KF 18x3 SF, KF 19x3 SF
- KWT 16x1 SF, KWT 16x3 SF



Side-by-side

... without partition

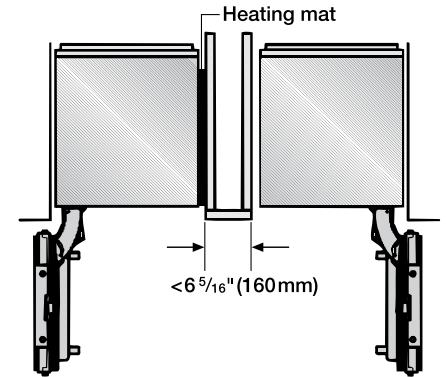


If the appliances are installed directly next to each other (without a partition), they need to be attached together. A heating mat must also be installed. This will help avoid condensation and prevent damages.

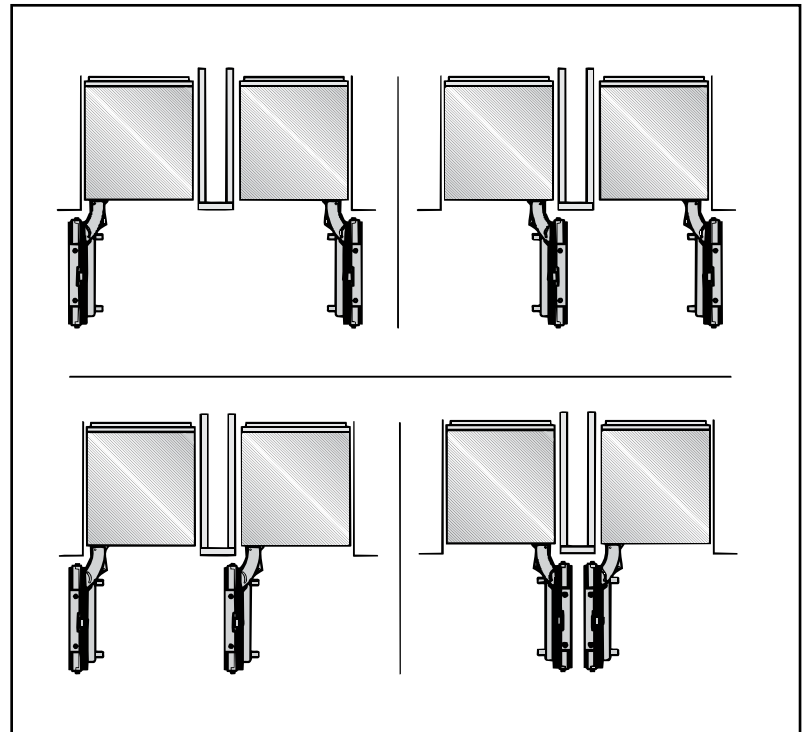
... with partition

The minimum thickness of the partition is $\frac{5}{8}$ " (16 mm).

If there is a partition with a thickness from $\frac{5}{8}$ " (16 mm) to $6 \frac{5}{16}$ " (160 mm) between the adjacent appliances, then each appliance should be individually installed within its own niche using the mounting accessories included.



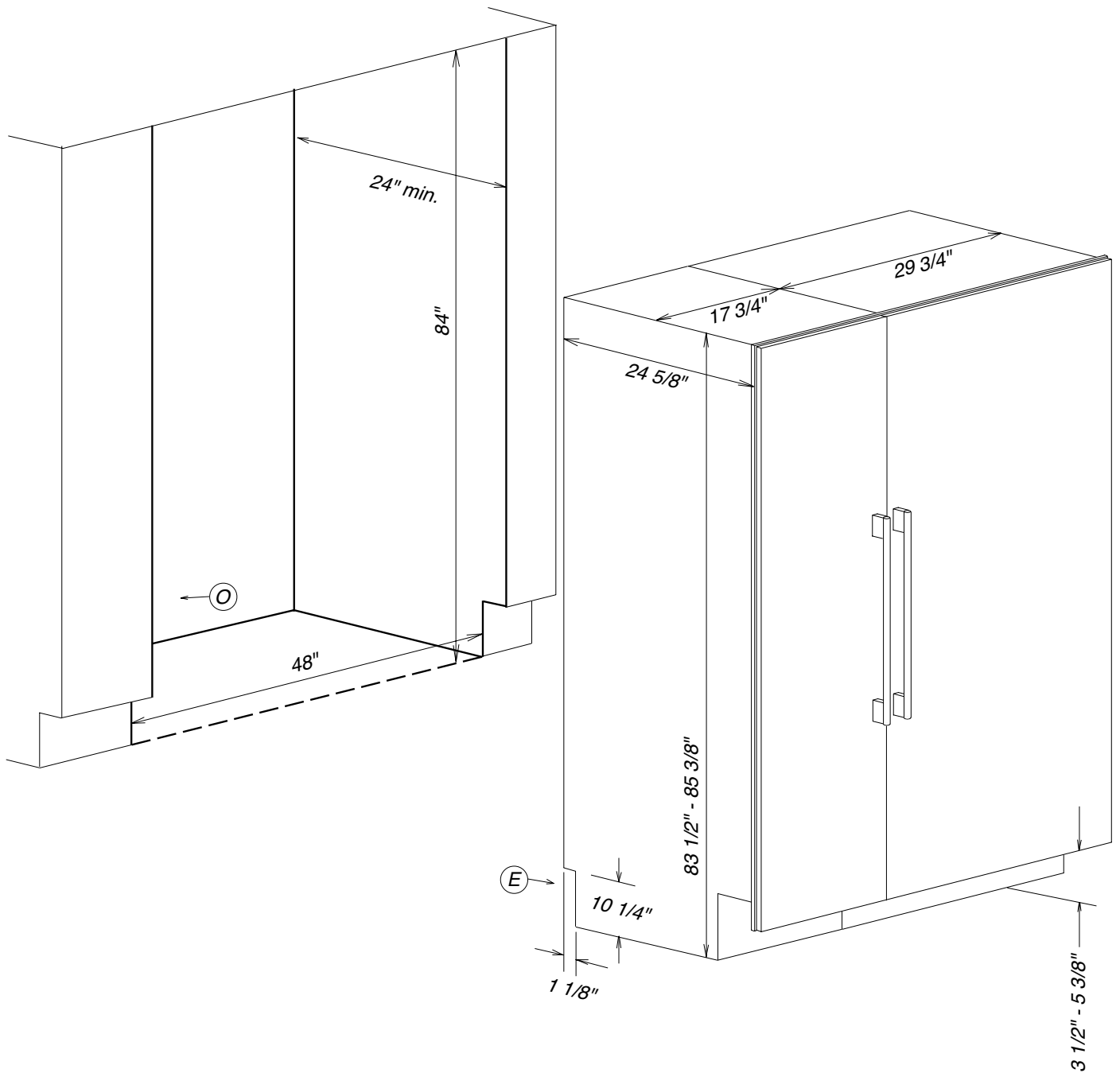
In this case, you will only need the heating mat from the "Merging Kit" to avoid condensation and prevent damages.



Product and Cut-out Dimensions 48" Side-by-Side Combination F14X3 & K18X3



FOR PROUD INSTALLATION



Location Codes

- E* - 5 foot - 120 Volt - 15 Amp 3-wire molded plug power supply connects lower left rear
- O* - One (1) Standard NEMA 5-15 Duplex Outlet - locate less than 9" above finished floor

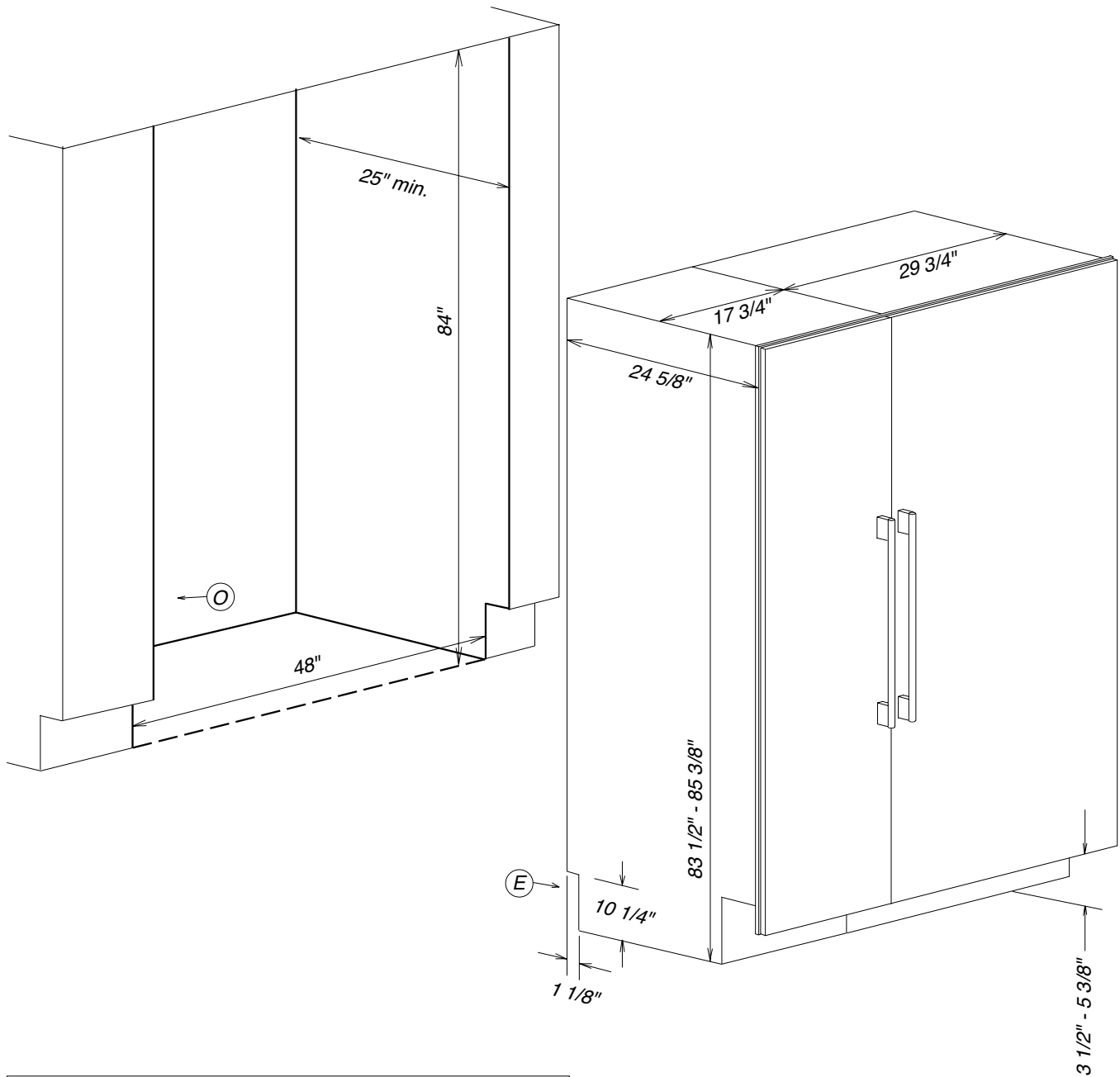
Notes

- KSK1002 Merging kit must be used when combining units
- All Installations must be done in accordance with local codes

Product and Cut-out Dimensions 48" Side-by-Side Combination F14X3 & K18X3



FOR FLUSH INSTALLATION



Location Codes
E - 5 foot - 120 Volt - 15 Amp 3-wire molded plug power supply connects lower left rear
O - One (1) Standard NEMA 5-15 Duplex Outlet - locate less than 9" above finished floor
Notes
<ul style="list-style-type: none"> • KSK1002 Merging kit must be used when combining units • All Installations must be done in accordance with local codes • Sides of adjoining cabinets should be filled (flush to frame) to insure proper fit and finish

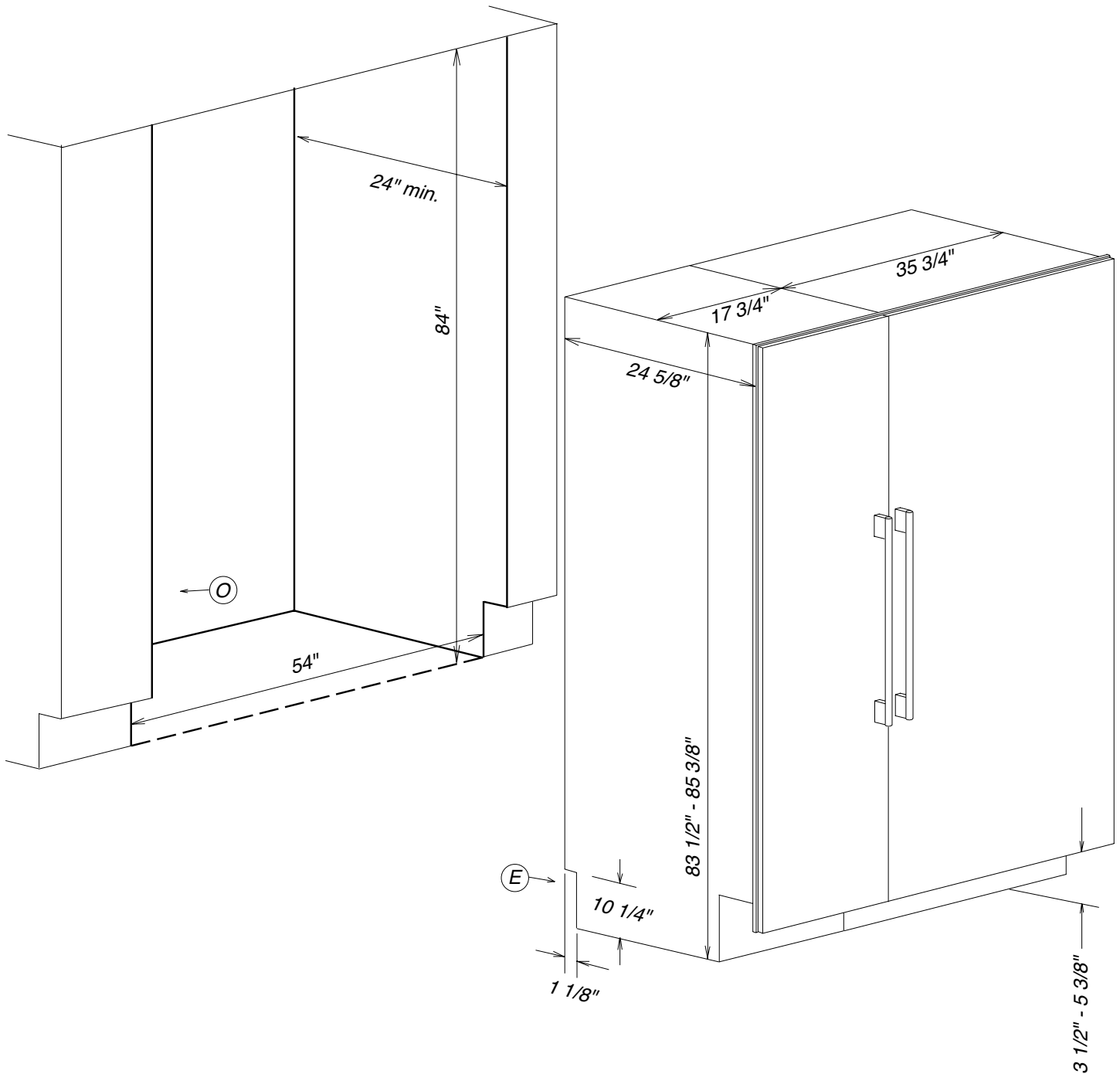
Product and Cut-out Dimensions

54" Side-by-Side Combination

F14X3 & K19X3



FOR PROUD INSTALLATION



Location Codes
<i>E</i> - 5 foot - 120 Volt - 15 Amp 3-wire molded plug power supply connects lower left rear
<i>O</i> - One (1) Standard NEMA 5-15 Duplex Outlet - locate less than 9" above finished floor
Notes
<ul style="list-style-type: none"> • KSK1002 Merging kit must be used when combining units • All Installations must be done in accordance with local codes

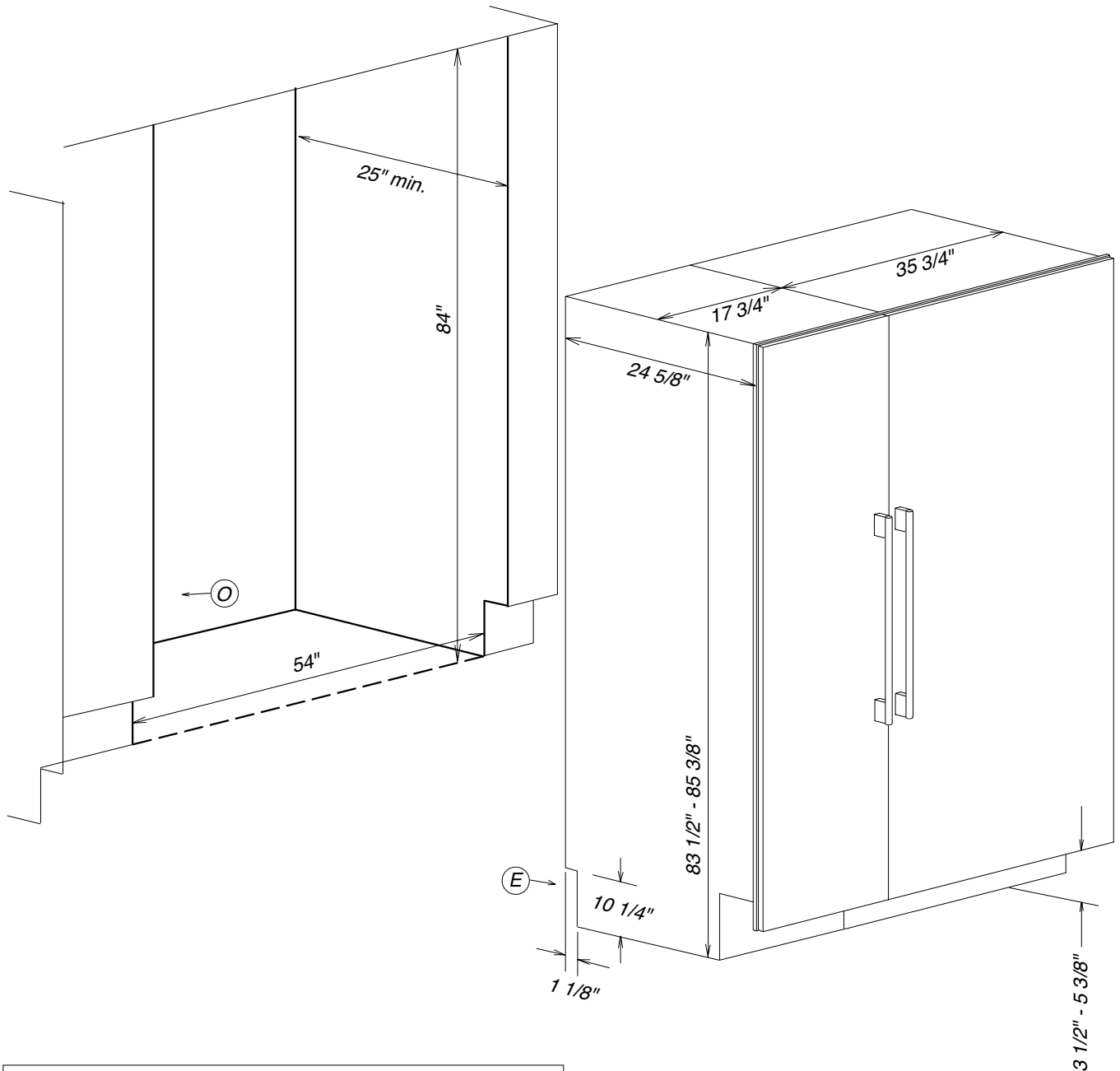
Product and Cut-out Dimensions

54" Side-by-Side Combination

F14X3 & K19X3



FOR FLUSH INSTALLATION

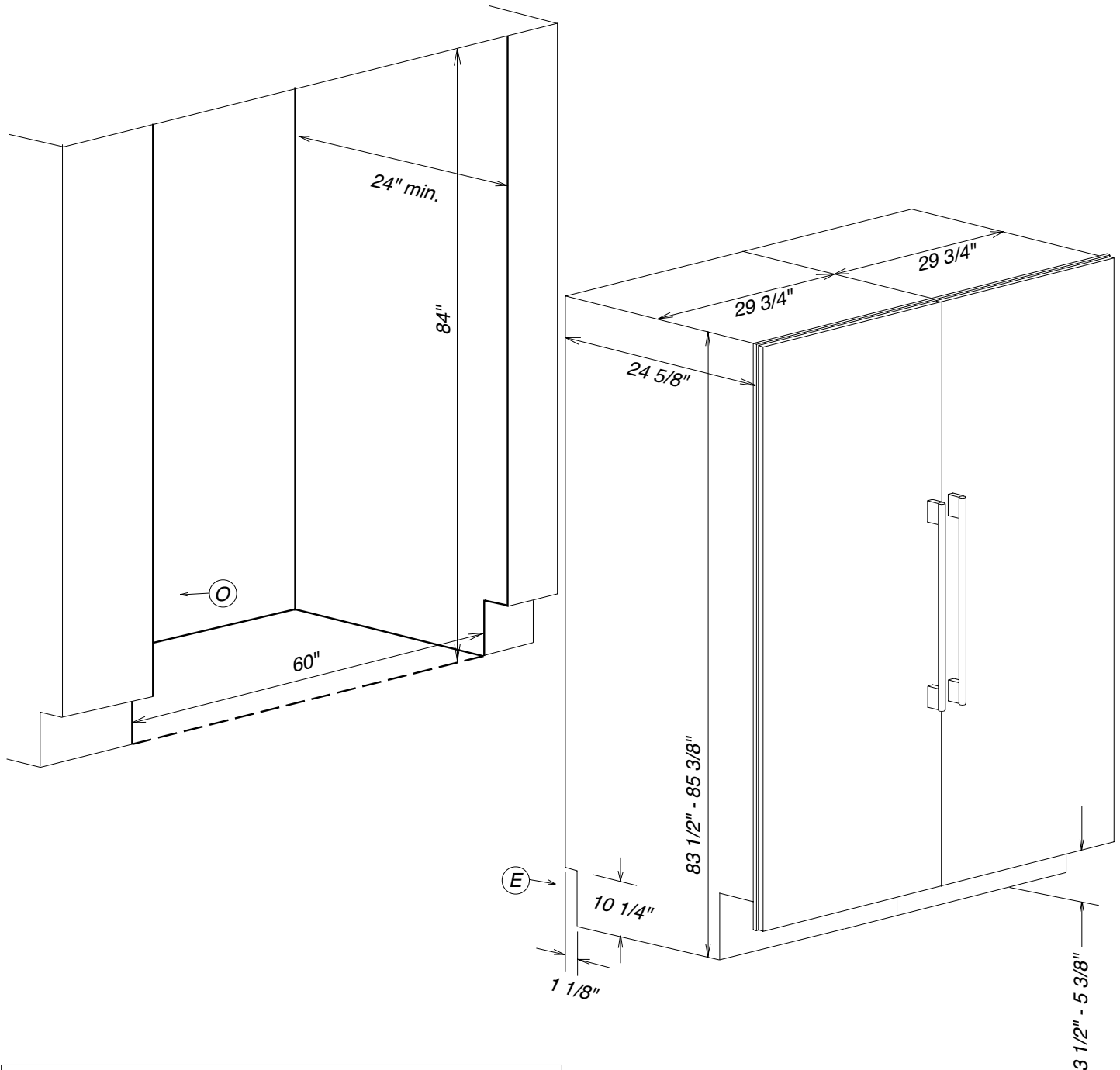


Location Codes
E - 5 foot - 120 Volt - 15 Amp 3-wire molded plug power supply connects lower left rear
O - One (1) Standard NEMA 5-15 Duplex Outlet - locate less than 9" above finished floor
Notes
<ul style="list-style-type: none"> • KSK1002 Merging kit must be used when combining units • All Installations must be done in accordance with local codes • Sides of adjoining cabinets should be filled (flush to frame) to insure proper fit and finish

Product and Cut-out Dimensions 60" Side-by-Side Combination F18X3 & K18X3



FOR PROUD INSTALLATION

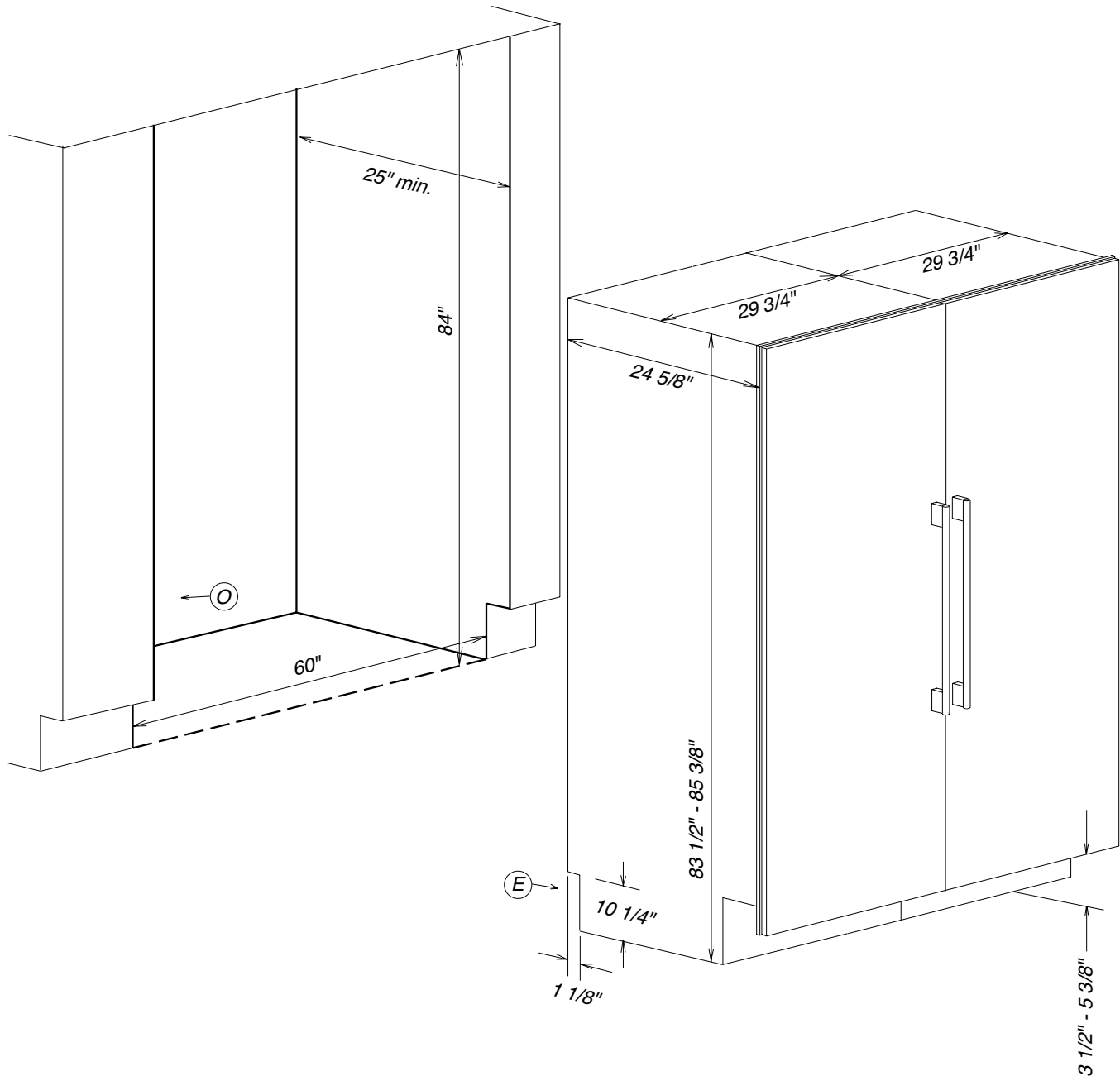


Location Codes
E - 5 foot - 120 Volt - 15 Amp 3-wire molded plug power supply connects lower left rear
O - One (1) Standard NEMA 5-15 Duplex Outlet - locate less than 9" above finished floor
Notes
<ul style="list-style-type: none"> • KSK1002 Merging kit must be used when combining units • All Installations must be done in accordance with local codes

Product and Cut-out Dimensions 60" Side-by-Side Combination F18X3 & K18X3



FOR FLUSH INSTALLATION

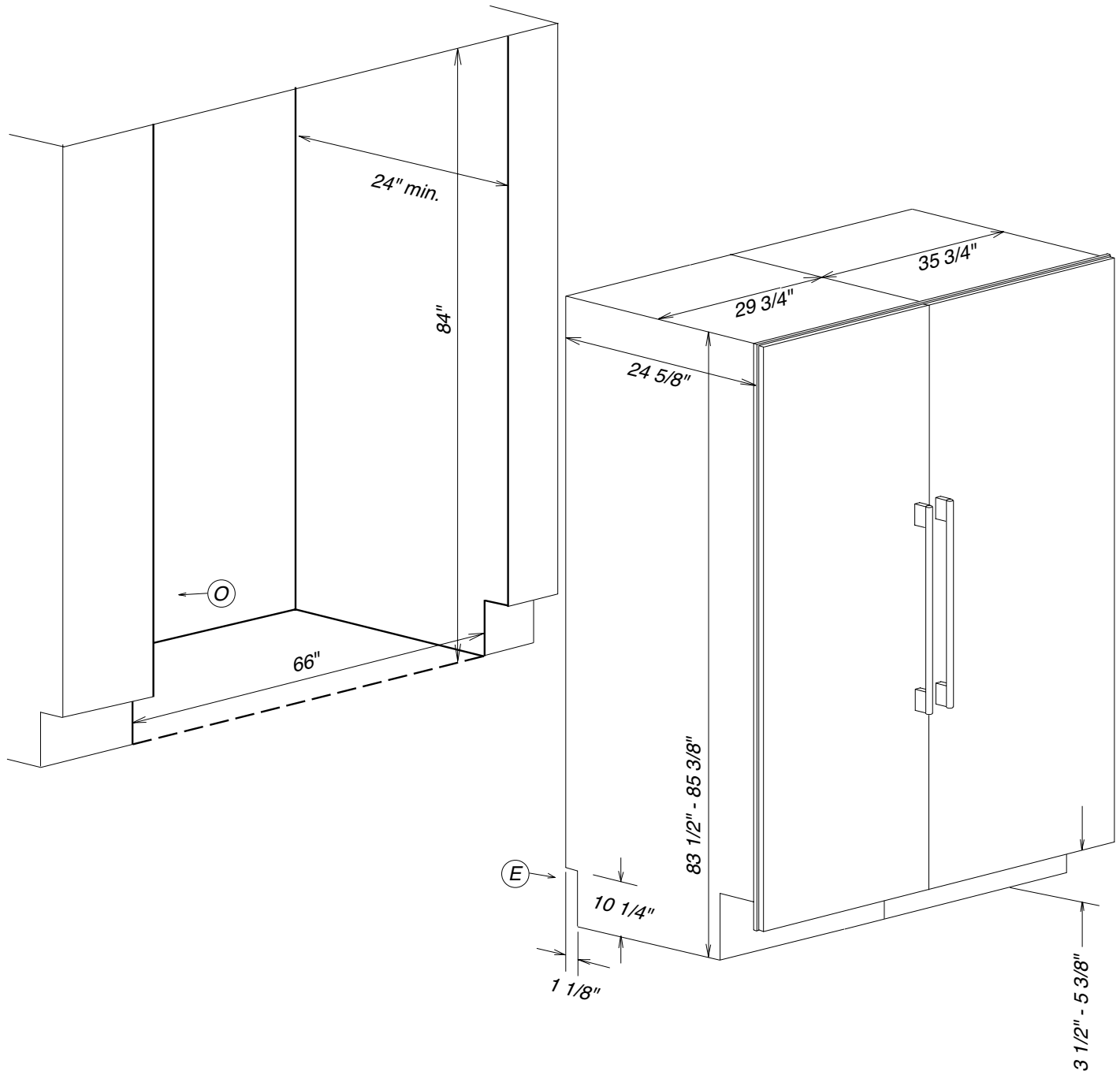


Location Codes
<i>E - 5 foot - 120 Volt - 15 Amp 3-wire molded plug power supply connects lower left rear</i>
<i>O - One (1) Standard NEMA 5-15 Duplex Outlet - locate less than 9" above finished floor</i>
Notes
<ul style="list-style-type: none"> • <i>KSK1002 Merging kit must be used when combining units</i> • <i>All Installations must be done in accordance with local codes</i> • <i>Sides of adjoining cabinets should be filled (flush to frame) to insure proper fit and finish</i>

Product and Cut-out Dimensions 66" Side-by-Side Combination F18X3 & K19X3



FOR PROUD INSTALLATION

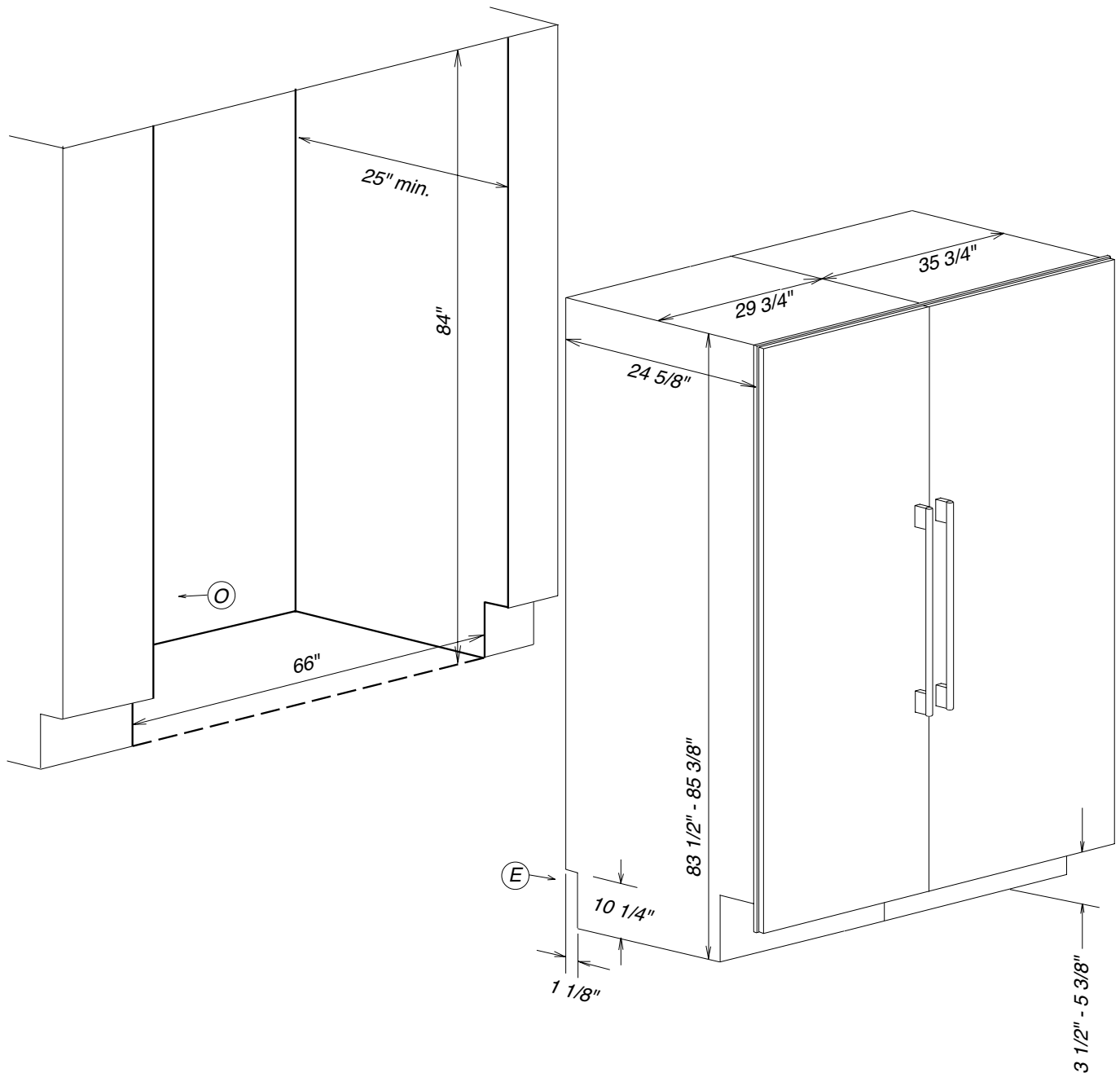


Location Codes
E - 5 foot - 120 Volt - 15 Amp 3-wire molded plug power supply connects lower left rear
O - One (1) Standard NEMA 5-15 Duplex Outlet - locate less than 9" above finished floor
Notes
<ul style="list-style-type: none"> • KSK1002 Merging kit must be used when combining units • All Installations must be done in accordance with local codes

Product and Cut-out Dimensions 66" Side-by-Side Combination F18X3 & K19X3



FOR FLUSH INSTALLATION

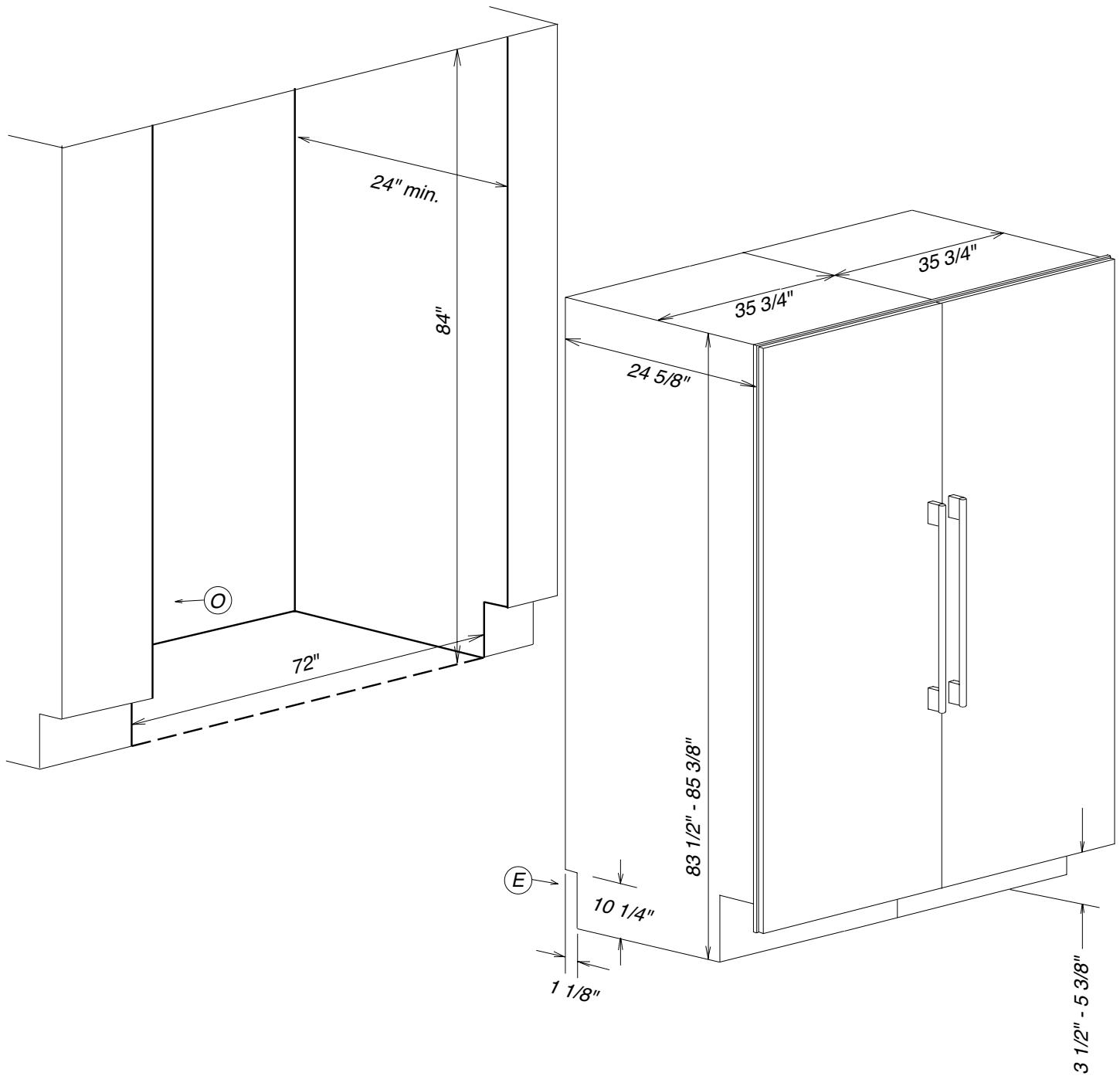


Location Codes
E - 5 foot - 120 Volt - 15 Amp 3-wire molded plug power supply connects lower left rear
O - One (1) Standard NEMA 5-15 Duplex Outlet - locate less than 9" above finished floor
Notes
<ul style="list-style-type: none"> • KSK1002 Merging kit must be used when combining units • All Installations must be done in accordance with local codes • Sides of adjoining cabinets should be filled (flush to frame) to insure proper fit and finish

Product and Cut-out Dimensions 72" Side-by-Side Combination F19X3 & K19X3



FOR PROUD INSTALLATION

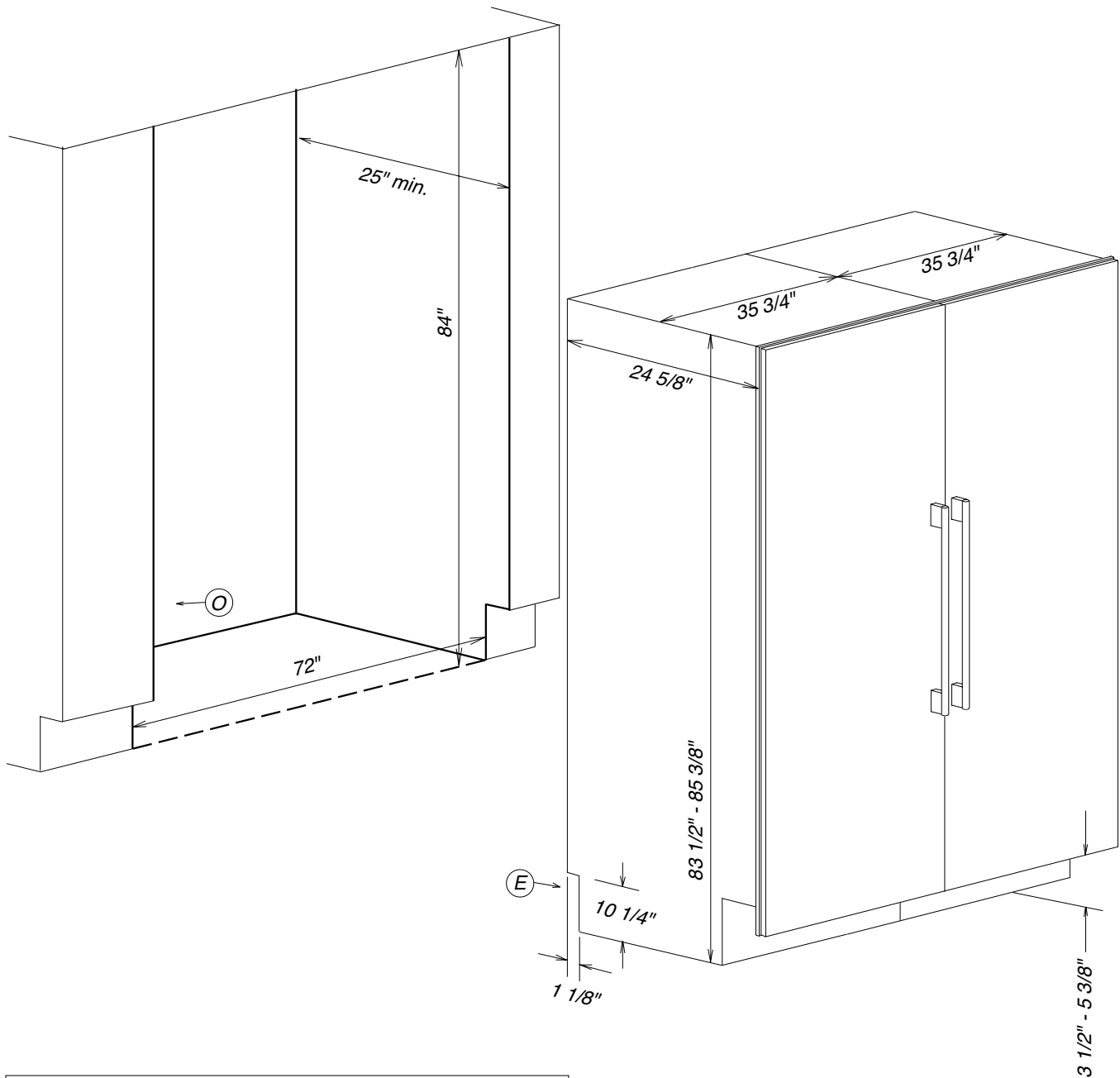


Location Codes
<i>E - 5 foot - 120 Volt - 15 Amp 3-wire molded plug power supply connects lower left rear</i>
<i>O - One (1) Standard NEMA 5-15 Duplex Outlet - locate less than 9" above finished floor</i>
Notes
<ul style="list-style-type: none"> • <i>KSK1002 Merging kit must be used when combining units</i> • <i>All Installations must be done in accordance with local codes</i>

Product and Cut-out Dimensions 72" Side-by-Side Combination K19X3 & F19X3



FOR FLUSH INSTALLATION



Location Codes
E - 5 foot - 120 Volt - 15 Amp 3-wire molded plug power supply connects lower left rear
O - One (1) Standard NEMA 5-15 Duplex Outlet - locate less than 9" above finished floor
Notes
<ul style="list-style-type: none"> • KSK1002 Merging kit must be used when combining units • All Installations must be done in accordance with local codes • Sides of adjoining cabinets should be filled (flush to frame) to insure proper fit and finish