

LIEBHERR

Design Guide 2013
Built In Models 24" and 48"

Liebherr's engineering excellence in Germany provides the largest selection of freezers, refrigerators and wine refrigerators worldwide.

Liebherr appliances consistently specializes in the manufacturing of high quality freezers and refrigerators. With more than 300 basic models, we have the widest selection in the world. Liebherr appliances feature premium quality, numerous innovative product ideas and advanced design. Liebherr freezers and refrigerators are manufactured at three modern production plants:

Liebherr Marica in Bulgaria, Liebherr-Hausgeräte Ochsenhausen GmbH in Germany and the Liebherr-Hausgeräte Lienz GmbH in Austria.

The appliances for the North American market are produced in Austria and in Germany.

Liebherr is committed to the protection of the environment and recognizes it as a critical priority. To guarantee an optimum and consistent implementation, all ecological aspects were observed and integrated into the quality control of Liebherr in compliance with DIN EN ISO 9001.

Liebherr's Commitment to the Environment

The components of Liebherr products can be recycled when the necessary resources are applied. A concern for the environment and a desire to protect resources has led to increased levels of recycling year after year. When Liebherr manufactures products, it is essential that the recyclable recovery rate of the materials we use constantly increases.

Recycling is a common goal among all manufacturers, municipalities and recycling companies to protect our environment. Protecting the environment and producing products which have a low impact on the environment, is one of Liebherr's core values. Whether you are replacing a unit or starting fresh, remember to dispose of your old appliance in an environmentally safe and friendly manner.

Introduction

LIEBHERR WARRANTY PLAN

FULL TWO YEAR WARRANTY - For two years from the date of original purchase, your Liebherr Warranty covers all parts and labor to repair or replace any part of the product which proves to be defective in materials or workmanship.

FULL FIVE YEAR WARRANTY - For five years from the date of original purchase, your Liebherr Warranty covers all parts and labor to repair or replace any components that prove to be defective in materials or workmanship in the sealed system. The "Sealed System" means only the compressor, condenser, evaporator, drier and all connecting tubing.

LIMITED 6TH THROUGH 12TH YEAR WARRANTY - From the 6th through 12th year from the date of original purchase, your Liebherr Warranty covers all parts that prove to be defective in materials or workmanship in the sealed system (parts only).



Customer Service

If your appliance is not working properly, or if the temperature display reads "F0" to "F5", please call the numbers listed below.

Give the **fault number displayed**, together with the **Type Designation, Service Number** and **Appliance Number (Serial Number)**

from the model plate, to ensure prompt, accurate servicing. The model plate is located inside the appliance.

Leave the appliance door closed until the customer service technician arrives to minimize any further cold loss.

For Service and Parts in the U.S.: Liebherr Service Center

15545 N. 77th Street
Scottsdale, AZ 85260

Phone: (480) 998-0141
Fax: (480) 998-7877
Toll Free: **1-866-LIEBHERR or
1-866-543-2437**

www.liebherr-appliances.com

For Service and Parts in Canada: Euro Parts

579 Campbell Street,
P.O. Box 759,
Lucknow, Ontario, N0G 2H0

Phone: (519)528-5005
Fax: (519)528-5001
Toll Free: **1-888-Liebherr or
1-888-543-2437**

www.euro-parts.ca

Need help?

For design related inquiries not addressed in this Design Guide please email install.americas@liebherr.com

Contents

General Remarks

Safety Warnings	I
Electrical Requirements & Safety	II
IceMaker (if equipped)	III
Area Requirements	IV
Safety Regulations	V

Built In Models 24" and 48"

24" and 48" Models	1
Overview Overlay and Framed Panel	5
Overview Stainless steel	6
Unit Dimensions "Solo" Overlay and Framed Panel	7
Unit Dimensions Dimensions "SBS" Overlay and Framed Panel	9
Unit Dimensions Dimensions "Solo" Stainless steel	11
Unit Dimensions Dimensions "SBS" Stainless steel	13
Cabinet Opening Dimensions	15
Ventilation Requirements	15
Handle Clearance	17
Custom finish RI/RBI 1410, BFI/WFI 1061, FI 1061	18
Framed Panel Dimensions	19
Overlay Panel Dimensions	23
Cut out for glass window WFI 1061	29
Accessories for Framed and Overlay Panels	30
Door Swing Clearance, Overlay appliances, Door hinges left 90°	33
Door Swing Clearance, Overlay appliances, Door hinges right 90°	34
Door Swing Clearance, Overlay appliances, Door hinges left 110°	35
Door Swing Clearance, Overlay appliances, Door hinges right 110°	36
Accessories for Stainless steel	37
Door Swing Clearance, Stainless steel appliances, Door hinges left 90°	38
Door Swing Clearance, Stainless steel appliances, Door hinges right 90°	39
Door Swing Clearance, Stainless steel appliances, Door hinges left 110°	40
Door Swing Clearance, Stainless steel appliances, Door hinges right 110°	41

General Remarks

I. Safety Warnings

PLEASE READ AND FOLLOW THESE INSTRUCTIONS

This design guide contains Warning and Caution statements. This information is important for safe and efficient installation.

This design guide is not replacing the use and care manual which contains important information on how to use Liebherr appliances.

Always read and follow all Warning and Caution statements!

██████████  **DANGER** ██████████

indicates a hazardous situation, which if not avoided, will result in death or serious injury.

██████████  **WARNING** ██████████

indicates a hazardous situation, which if not avoided, could result in death or serious injury.

██████████  **CAUTION** ██████████

indicates a hazardous situation, which if not avoided, will result in minor or moderate injury.

NOTICE

indicates a hazardous situation, which if not avoided, could result in damage to property.

NOTE

indicates useful advice and tips.

Make sure incoming voltage is the same as the unit rating.

To reduce the risk of fire, electric shock, or personal injury, the installation work and electrical wiring must be done by a qualified electrician in accordance with all applicable codes and standards, including fire rated construction.

To the Installer

It is very important that the guidelines and instructions are followed in this design guide to ensure proper installation and operation of the unit. The Installation Guidelines section contains important information for making sure the installation is correct. Read and understand all the information and installation guidelines in this manual before the unit is installed.

It is also very important to **know** the Safety Information.

General Remarks

II. Electrical Requirements & Safety

A 115 Volt, 60 Hz, 15 Amp (20 Amp for side-by-side installation) fused electrical supply is required. Connect undercounter wine cabinet to a 115 VAC, 10 amp (15 Amp for side-by-side installations) circuit that is controlled by a circuit breaker or fuse.

We recommend using a dedicated circuit for these appliances to prevent electrical overload. Comply with the National Electrical Code as well as local codes and ordinances when installing the receptacle.

The power cord is equipped with a three-prong (grounding) plug for your protection against possible shock hazards. To maintain this protection:

- Do not modify the plug by removing the round grounding prong.
- Do not use a power cord that is frayed or damaged.

WARNING

Do not ground to a gas pipe. Check with a qualified electrician if you are not sure the appliance is properly grounded. Do not have a fuse in the neutral or grounding circuit.

WARNING

ELECTROCUTION HAZARD

Electrical Grounding Required. This appliance is equipped with a three-prong(grounding) polarized plug for your protection against possible shock hazards.

- **DO NOT** remove the round grounding prong from the plug.
- **DO NOT** use a two-prong grounding adapter.
- **DO NOT** use an extension cord to connect power to the unit.

III. IceMaker (if equipped)

The icemaker is located in the freezer compartment. It must be connected to the water supply to function properly. The appliance must be level for the icemaker to function properly.

The water pressure must be between 21.8-87.0 psi (1.5-6 bar). Use a 1/4" OD copper line to connect the water supply to the solenoid valve. This is not supplied with the refrigerator.

If you have hard water, we recommend you install a water softener. Also, a filter must be installed if the water contains solids such as sand. All equipment and devices used to supply the water to the appliance must comply with the current regulations for your geographical area.

Safety Instructions and Warnings

- Do not attach the water source while the appliance is connected to an electrical outlet.
- A shut-off valve, must be installed between the hose line and the main water supply so that the water supply can be stopped if necessary. Do not install the shut-off valve behind the refrigeration unit.
- The connection to the water supply may only be made by a trained and licensed plumber.
- The water quality must comply with the drinking water regulations for the geographical area where the appliance is located.
- The icemaker is designed exclusively to make ice cubes in quantities needed by a household and may only be operated with water appropriate for this purpose.
- All repairs and work on the icemaker may only be done by customer service personnel or other trained personnel.
- The manufacturer cannot accept liability for damage caused by equipment or water lines between the solenoid valve and the water supply.

General Remarks

IV. Area Requirements

Verify the following:

- Floors can support refrigerator's weight plus approximately 1200 pounds (544 kg) of food weight. Not all Liebherr products are designed for 1200 pounds (544 kg) of food. Some units are smaller and total weights may vary.
- Finished kitchen floor height is level. Refrigerator must be shimmed to the floor level, or levelled, to make sure, air vents are not obstructed.
- Remove anything attached to the rear or side walls that can obstruct refrigerator opening.
- Cutout dimensions are accurate.
- Electrical outlet is in correct location.

Do not install this unit next to any other refrigerator or freezer except another Liebherr model. Liebherr models are designed to allow side by side installation. They are equipped with a heating system to eliminate condensation when units are installed side by side. Installing this unit next to any other refrigerator or freezer can cause condensation or cause damage to the Liebherr unit.

NOTICE

To protect the refrigerator from possible damage, allow the appliance to stand 1 hour in place before turning the electricity on. This allows the refrigerant and system lubrication to reach equilibrium.

Blocking For Safety

The anti-tip brackets must be installed to prevent the unit from tipping after it is installed.

V. Safety Regulations

The appliance complies with UL250 and CAN/CSA C 22.2 No. 93 and is designed to cool, freeze, store food as well as make ice (if equipped). It is designed as a household appliance. If used commercially, the relevant regulations on commercial use must be observed.

The appliance is set to operate within specific ambient temperature limits according to its climate rating. These temperature limits should not be exceeded. The correct climate rating for your appliance is indicated on the model plate.

This is explained as follows:

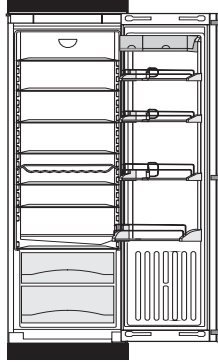
Climate Rating	Set for Ambient Temperatures of
SN	50°F to 90°F (10°C to 32°C)
N	61°F to 90°F (16°C to 32°C)
ST	61°F to 101°F (16°C to 38°C)
T	61°F to 110°F (16°C to 43°C)
SN-ST	50°F to 101°F (10°C to 38°C)
SN-T	50°F to 110°F (10°C to 43°C)

- The refrigerant circuit has been tested for leaks.

Built In Models 24" and 48"

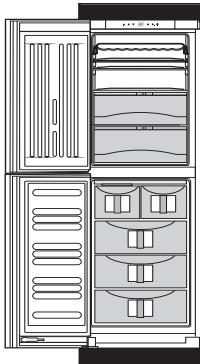
R, RI 1410 & BF, BFI 1061 - SBS 241, 2411

Liebherr offers a new concept in cooling technology to the American market. The compact 24" appliances can be used as a single unit or together as a Side-by-Side. Available with stainless steel doors or for custom finish panels on the doors.



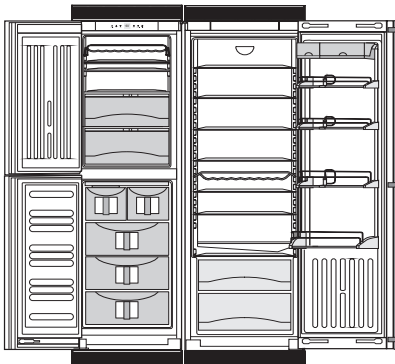
R & RI 1410	
Energy Star:	qualified
Energy consumption p. a.:	325 kWh
Energy Supply:	115V/60Hz/350W
Total capacity:	13.8 cu ft (391 L)
Climate Rating:	SN-T
Door hinges:	right / reversible

- Automatic refrigerator defrosting
- LED lighting
- Full extension vegetable drawers on telescopic rails



BF & BFI 1061	
Energy Star:	qualified
Energy consumption p. a.:	413 kWh
Energy Supply:	115V/60Hz/350W
Total capacity:	10.0 cu ft (284 L)
BioFresh:	5.5 cu ft (157 L)
Freezer:	4.5 cu ft (127 L)
Ice cube capacity:	2.2 lbs./24h
Ice cube stock:	3.3 lbs.
Climate Rating:	SN-T
Door hinges:	left / reversible

- Automatic refrigerator defrosting
- LED lighting for refrigerator
- Full extension BioFresh drawers on telescopic rails
- Automatic freezer compartment defrosting
- Automatic IceMaker can be switched off

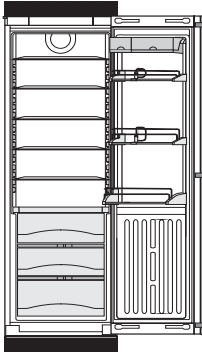


SBS 241 & 2411 (BF/BFI 1061 & R/RI 1410)	
Energy Supply:	115V/60Hz/700W
Total capacity:	23.8 cu ft (675 L)
Refrigerator:	13.8 cu ft (391 L)
BioFresh:	5.5 cu ft (157 L)
Freezer:	4.5 cu ft (127 L)
Ice cube capacity:	2.2 lbs./24h
Ice cube stock:	3.3 lbs.
Climate Rating:	SN-T
Door hinges:	left / right / reversible

- Automatic refrigerator defrosting
- Automatic freezer compartment defrosting
- LED lighting for refrigerator and BioFresh
- Full extension vegetable drawers on telescopic rails
- Automatic IceMaker can be switched off

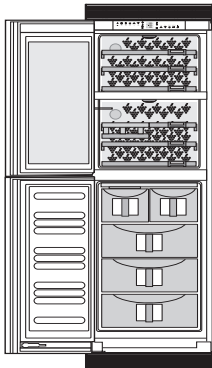
Built In Models 24" and 48"

RB, RBI 1410 & WF, WFI 1061- SBS 246, 2416



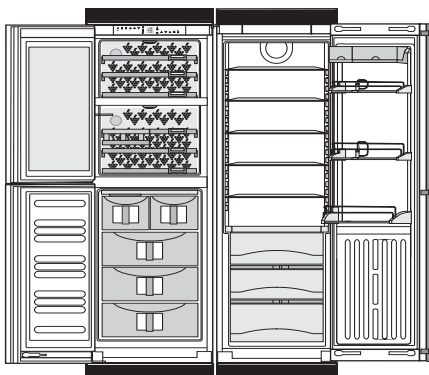
RB & RBI 1410
 Energy Star: qualified
 Energy consumption p. a.: 320 kWh
 Energy Supply: 115V/60Hz/350W
 Total capacity: 12.8 cu ft (363 L)
 Refrigerator: 8.7 cu ft (246 L)
 BioFresh: 4.1 cu ft (117 L)
 Climate Rating: SN-T
 Door hinges: right / reversible

- Automatic refrigerator defrosting
- LED lighting for refrigerator and BioFresh
- Full extension BioFresh drawers on telescopic rails



WF & WFI 1061
 Energy Supply: 115V/60Hz/350W
 Total capacity: 9.0 cu ft (254 L)
 Wine Storage: 4.5 cu ft (127 L)
 Total amount of bottles: 34 bottles
 upper rack: 15 bottles
 lower rack: 19 bottles
 Freezer: 4.5 cu ft (127 L)
 Ice cube capacity: 2.2 lbs./24h
 Ice cube stock: 3.3 lbs.
 Climate Rating: SN-T
 Door hinges: left / reversible

- Automatic refrigerator defrosting
- Automatic freezer compartment defrosting
- Automatic IceMaker can be switched off

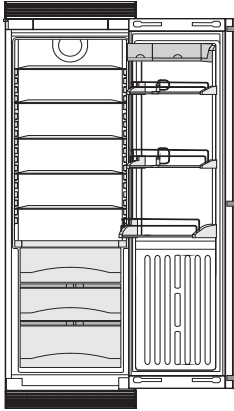


SBS 246 & 2416 (WF/WFI 1061 & RB/RBI 1410)
 Energy Supply: 115V/60Hz/700W
 Total capacity: 21.8 cu ft (617 L)
 Refrigerator: 8.7 cu ft (246 L)
 BioFresh: 4.1 cu ft (117 L)
 Wine Storage: 4.5 cu ft (127 L)
 Total amount of bottles: 34 bottles
 upper rack: 15 bottles
 lower rack: 19 bottles
 Freezer: 4.5 cu ft (127 L)
 Ice cube capacity: 2.2 lbs./24h
 Ice cube stock: 3.3 lbs.
 Climate Rating: SN-T
 Door hinges: left / right / reversible

- Automatic refrigerator defrosting
- Automatic freezer compartment defrosting
- LED lighting for refrigerator and wine compartment
- Full extension BioFresh drawers on telescopic rails
- Automatic IceMaker can be switched off

Built In Models 24" and 48"

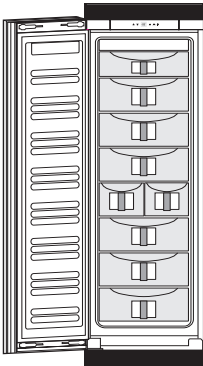
RB, RBI 1410 & F, FI 1051- SBS 243, 24I3, SBS 244, 24I4



RB & RBI 1410

Energy Star:	qualified
Energy consumption p. a.:	320 kWh
Energy Supply:	115V/60Hz/350W
Total capacity:	12.8 cu ft (363 L)
Refrigerator	8.7 cu ft (246 L)
BioFresh	4.1 cu ft (117 L)
Climate Rating:	SN-T
Door hinges:	right / reversible

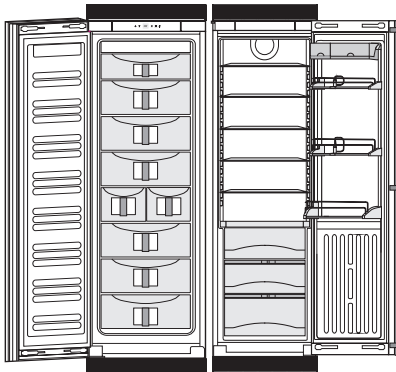
- Automatic refrigerator defrosting
- LED lighting for refrigerator and BioFresh
- Full extension BioFresh drawers on telescopic rails



F & FI 1051

Energy Star:	qualified
Energy consumption p. a.:	450 kWh
Energy Supply:	115V/60Hz/350W
Total capacity:	9.4 cu ft (267 L)
Freezer	9.4 cu ft (267 L)
Climate Rating:	SN-T
Door hinges:	left / reversible

- Automatic freezer defrosting
- LED lighting for freezer
- Automatic IceMaker can be switched off
- Ice cube capacity: 2.2 lbs./24h
- Ice cube stock: 3.3 lbs.

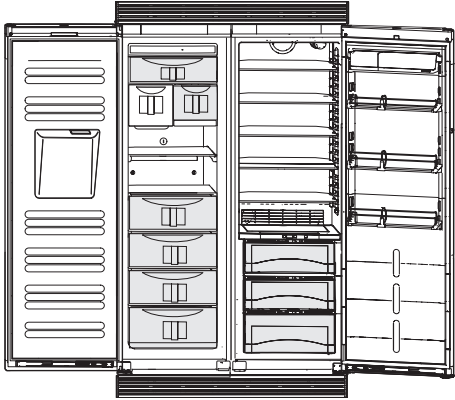


SBS 243 & 24I3 (F/FI 1051 & RB/RBI 1410)

Energy Supply:	115V/60Hz/700W
Total capacity:	21.8 cu ft (617 L)
Refrigerator:	8.7 cu ft (246 L)
BioFresh:	4.1 cu ft (117 L)
Freezer:	9.4 cu ft (270 L)
Ice cube capacity:	2.2 lbs./24h
Ice cube stock:	3.3 lbs.
Climate Rating:	SN-T
Door hinges:	left / right / reversible

- LED lighting for refrigerator and freezer
- Automatic refrigerator and freezer defrosting
- Full extension BioFresh drawers on telescopic rails
- Automatic IceMaker can be switched off

Built In Models 24" and 48"



SBS 244 & 2414 (F/FI 1061 & RB/RBI 1420)

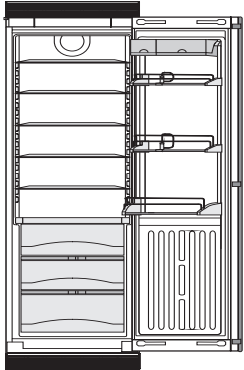
Energy Supply:	115V/60Hz/700W
Total capacity:	22.1 cu ft (627 L)
Refrigerator:	8.7 cu ft (246 L)
BioFresh:	3.9 cu ft (111 L)
Freezer:	9.5 cu ft (270 L)
Ice cube capacity:	2.2 lbs./24h
Ice cube stock:	3.3 lbs.
Climate Rating:	SN-T

- LED lighting for refrigerator and freezer
- Automatic refrigerator and freezer defrosting
- Full extension BioFresh drawers on telescopic rails
- BioFreshPlus compartment
- IceCenter (with Ice dispenser and Water dispenser)
- Automatic IceMaker can be switched off

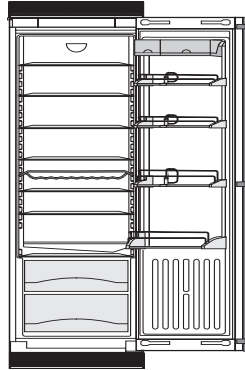
Built In Models 24" and 48"

Overview Overlay and Framed Panel: RI/RBI 1410, BFI/WFI 1061, FI 1051 - SBS 2411/2413/2416/2414

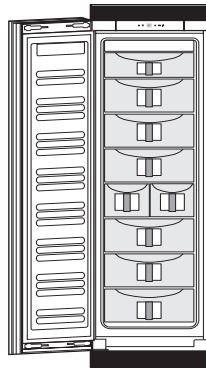
The units of the Liebherr built-in range offer versatile options for customization. Decor frames make it possible to put custom panels on the built-in appliances. To match your kitchen's design, use custom finished panels, overlay or framed.



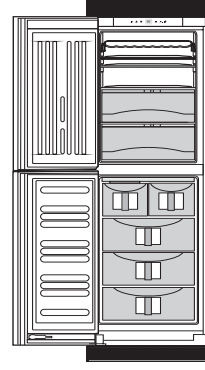
RBI 1410



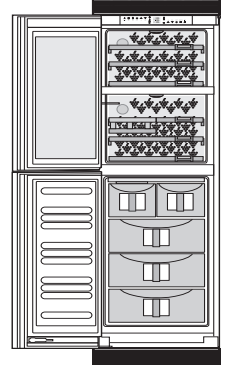
RI 1410



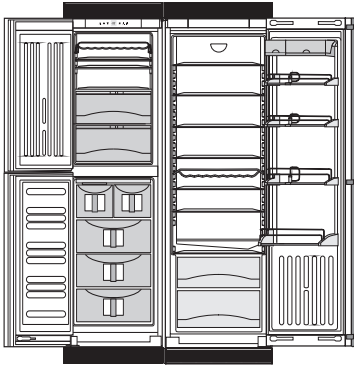
FI 1051



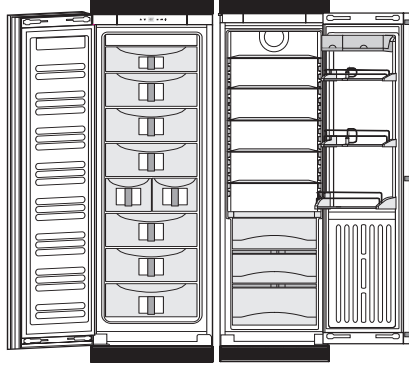
BFI 1061



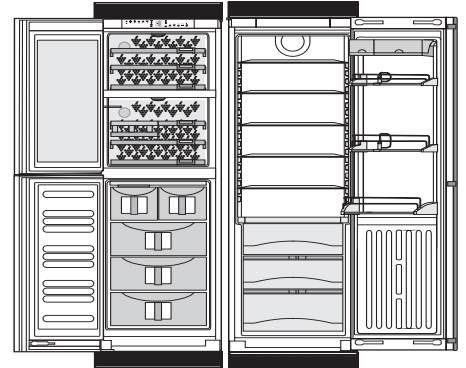
WFI 1061



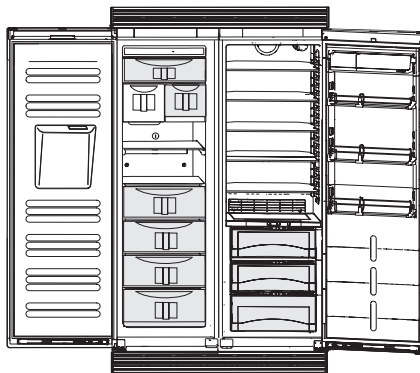
SBS 2411



SBS 2413



SBS 2416



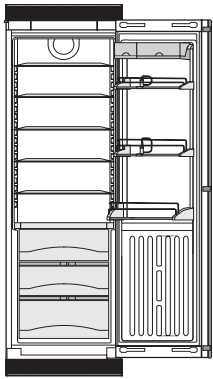
SBS 2414

Built In Models 24" and 48"

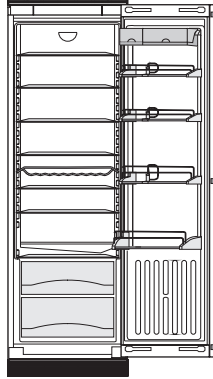
Overview Stainless steel:

R/RB 1410, BF/WF 1061, F 1051 - SBS 241/243/246/244

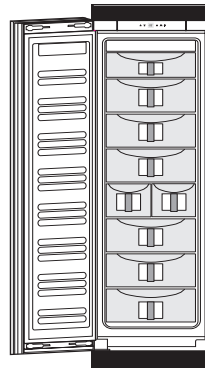
The Liebherr refrigerator-freezer with stainless steel doors can be easily integrated into any kitchen layout. The stainless steel gives a more professional style and it is easily cleaned. No panels are required.



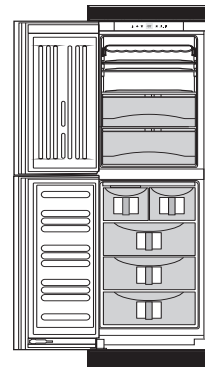
RB 1410



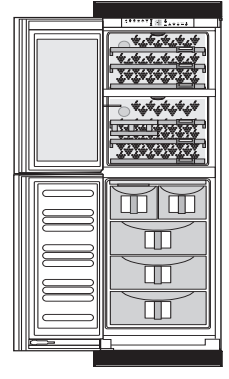
R 1410



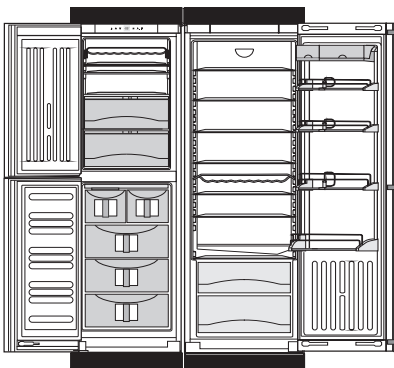
F 1051



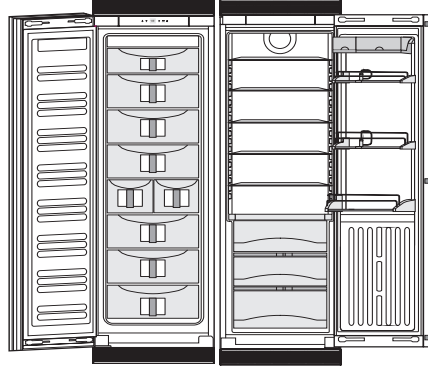
BF 1061



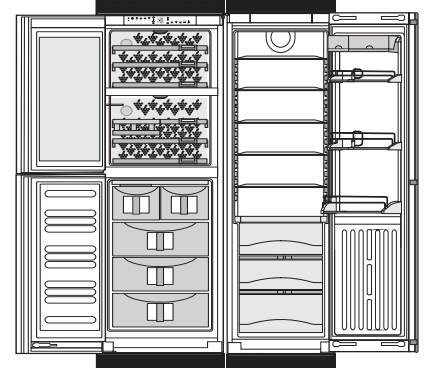
WF 1061



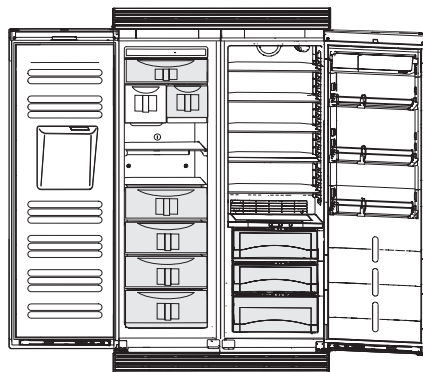
SBS 241



SBS 243



SBS 246

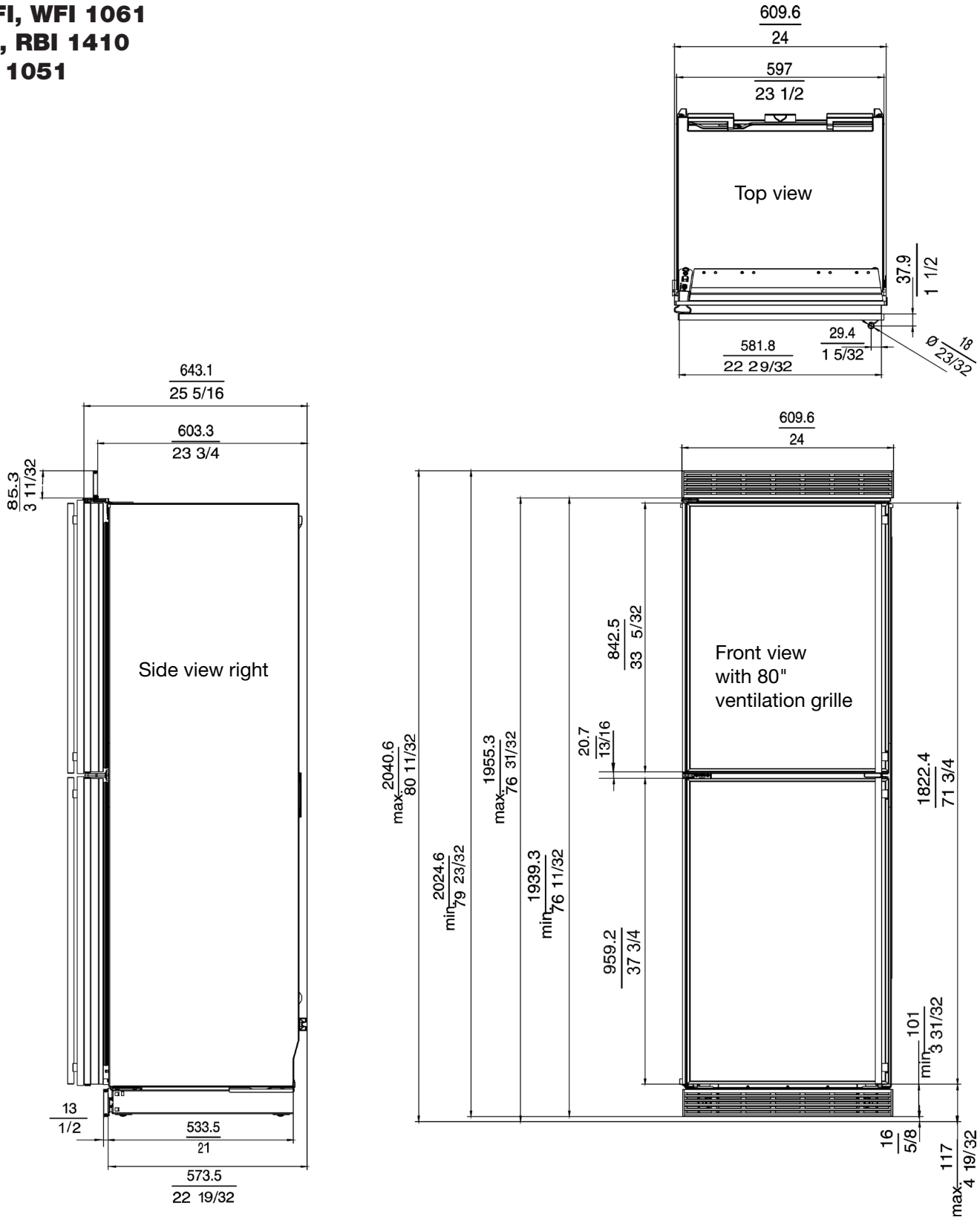


SBS 244

Built In Models 24" and 48"

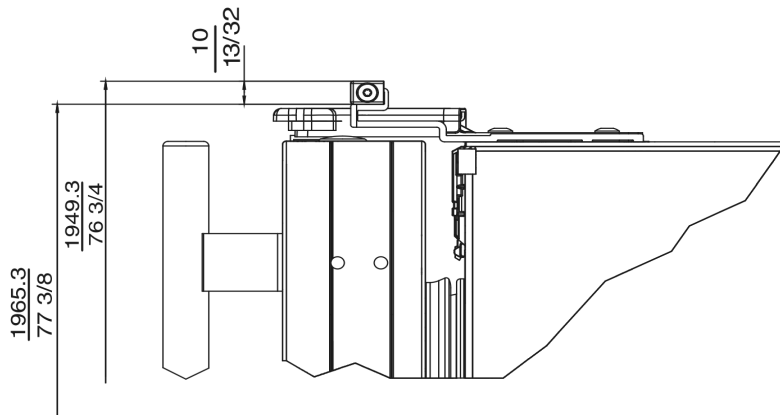
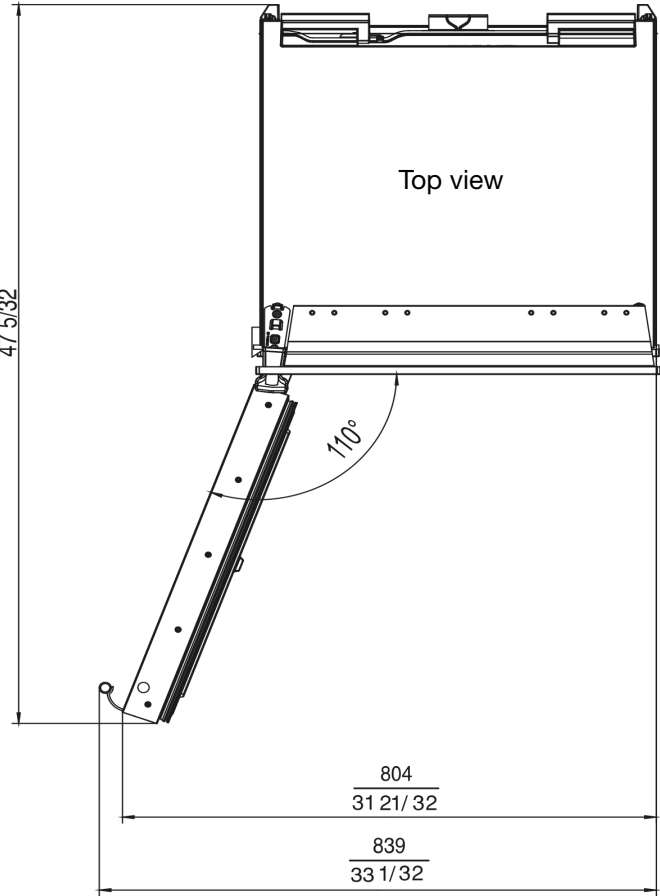
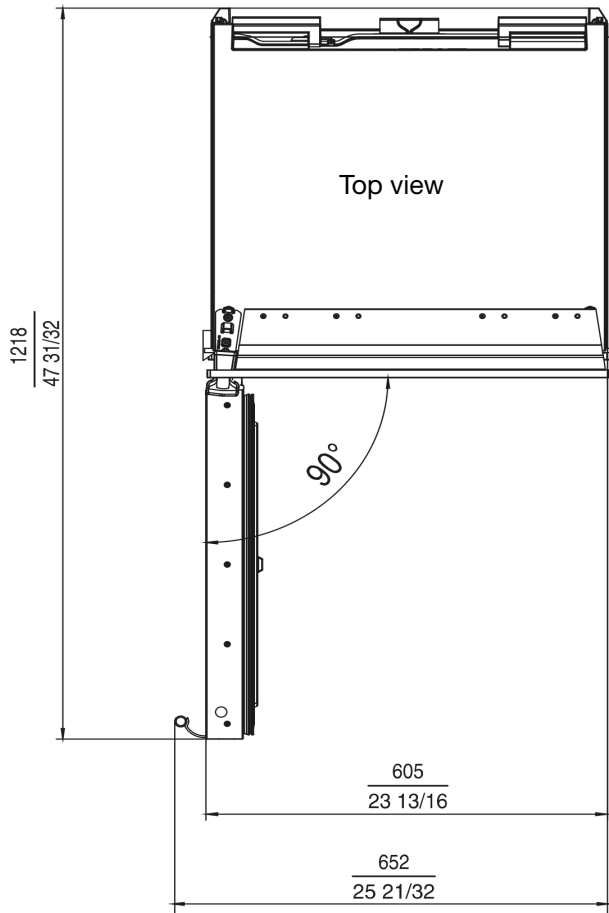
Unit Dimensions: Solo Overlay and Framed Panel

BFI, WFI 1061
RI, RBI 1410
FI 1051



Height of unit can be increased by 5/8"

Built In Models 24" and 48"

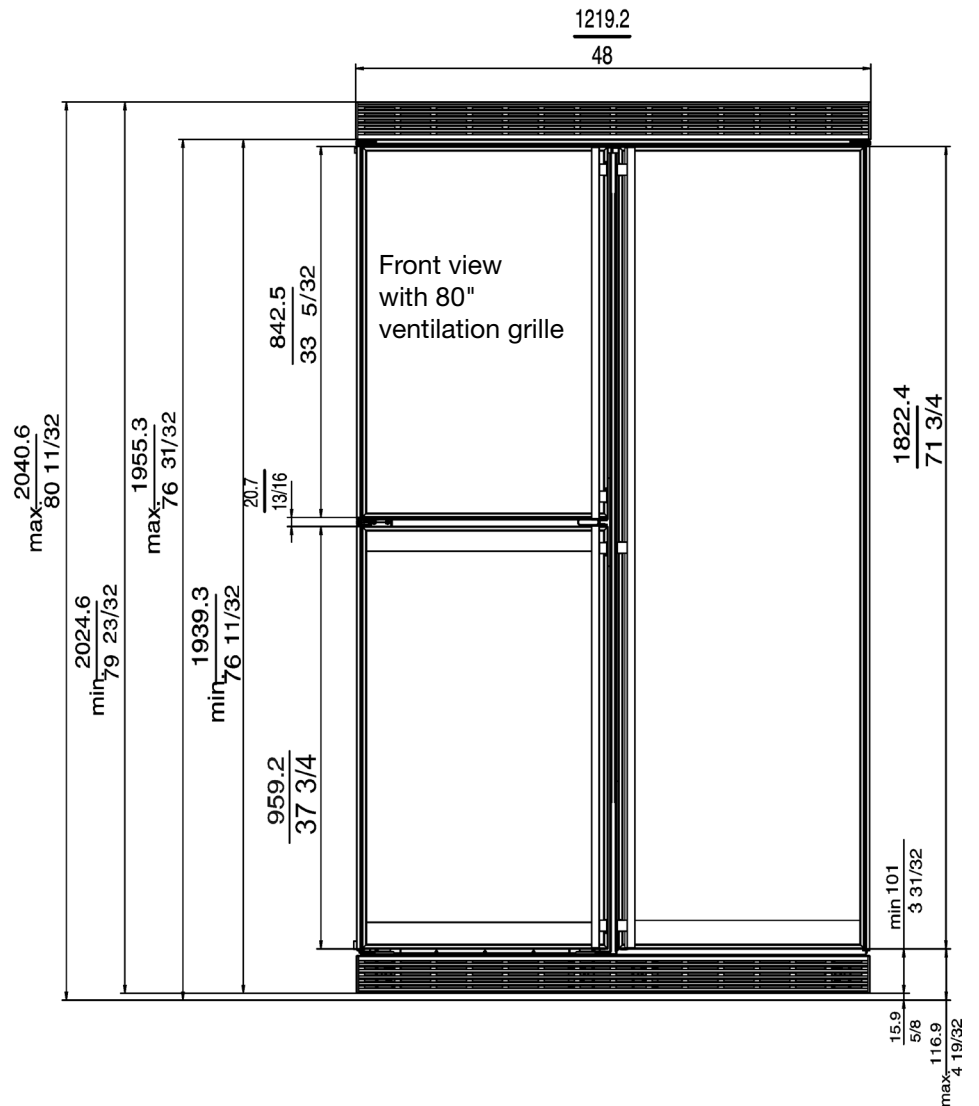
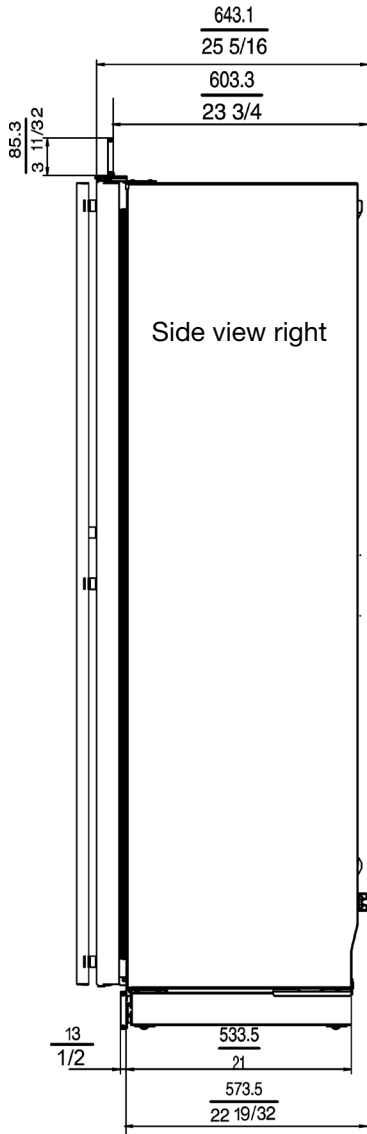
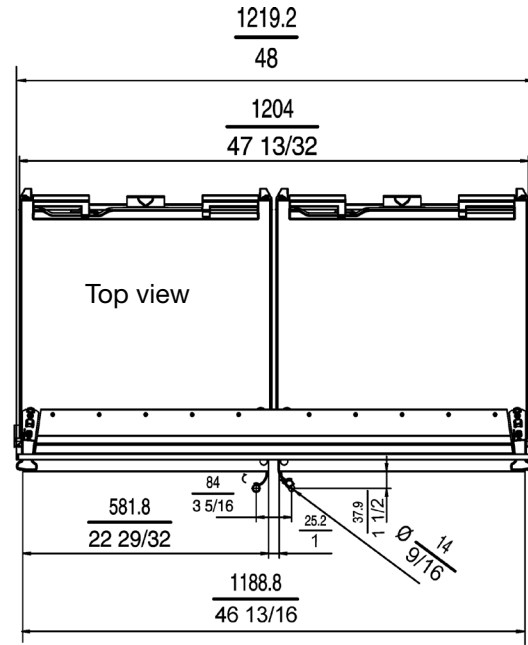


Side view right without ventilation grille

Built In Models 24" and 48"

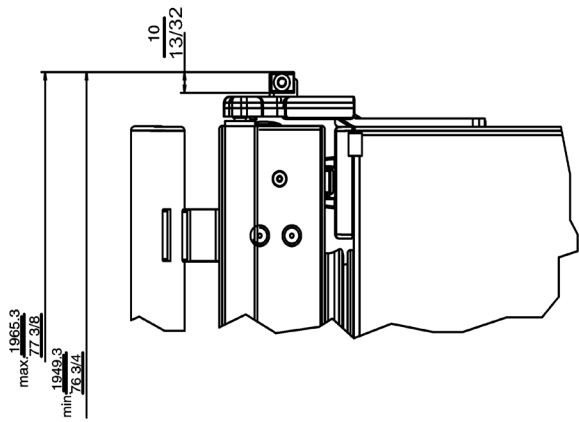
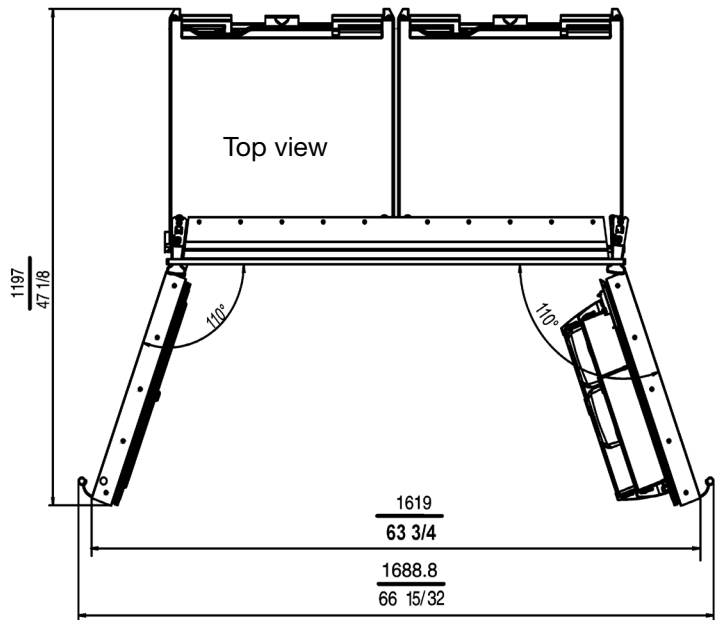
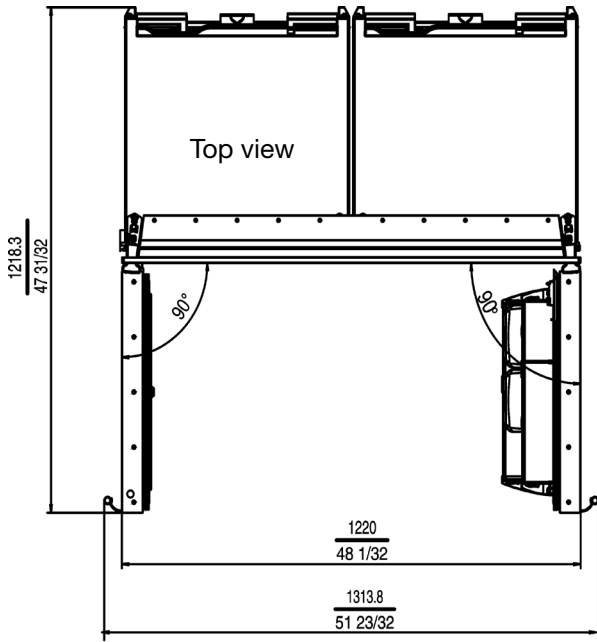
Unit Dimensions: SBS Overlay and Framed Panel

- SBS 24I1**
- SBS 24I3**
- SBS 24I4**
- SBS 24I6**

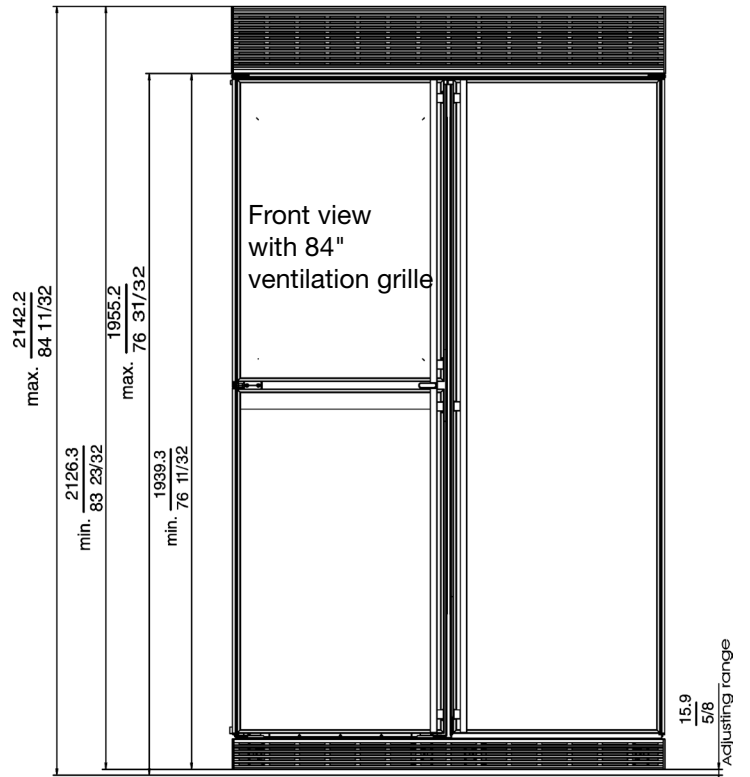


Overall height can be increased by 5/8"

Built In Models 24" and 48"



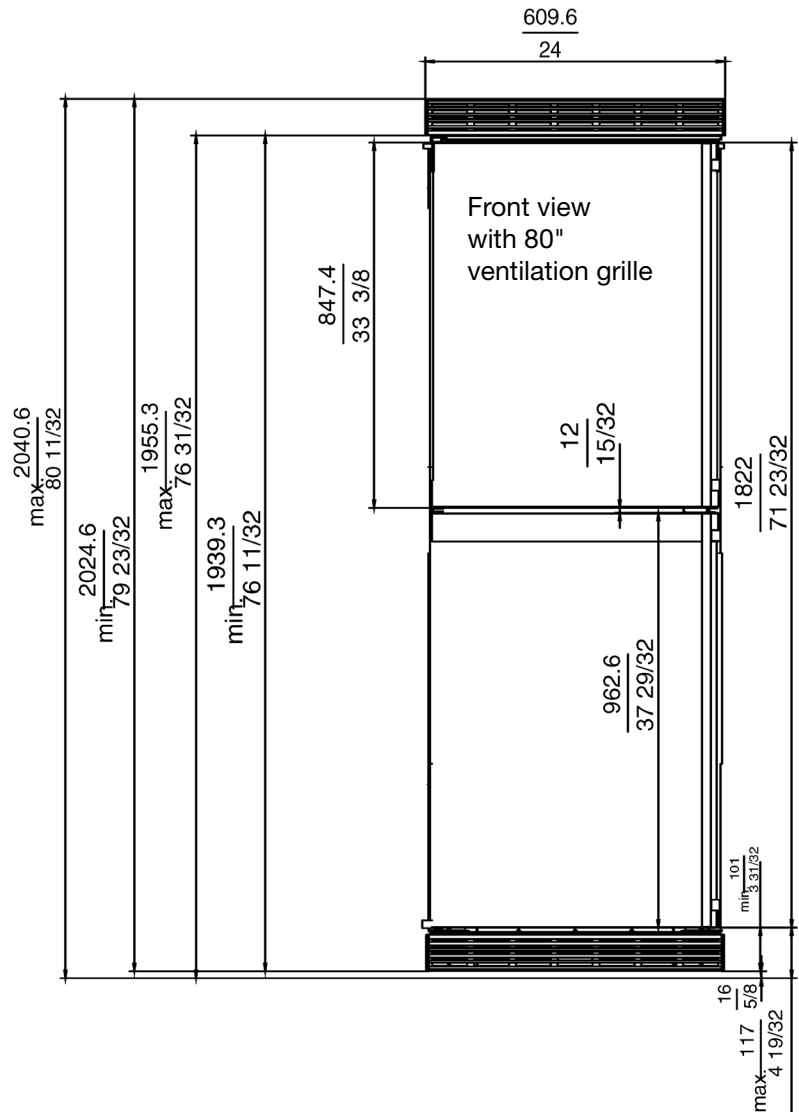
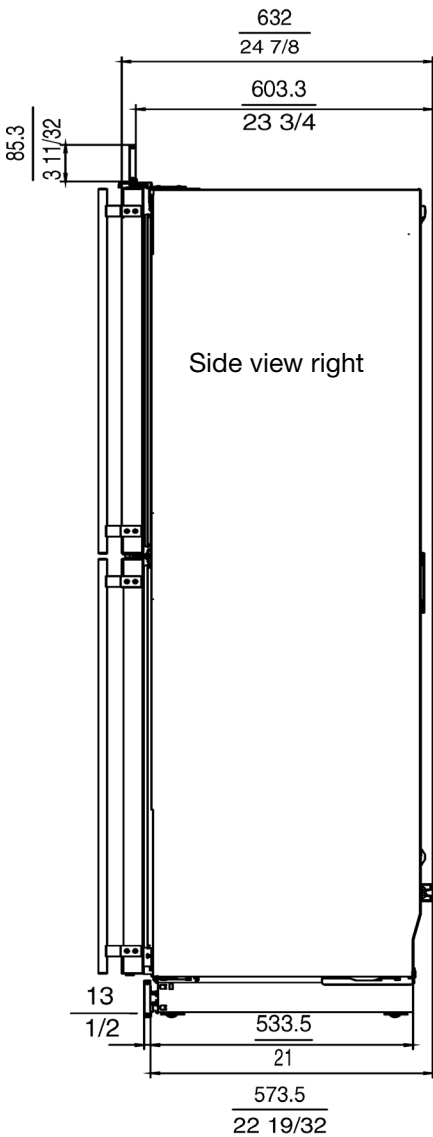
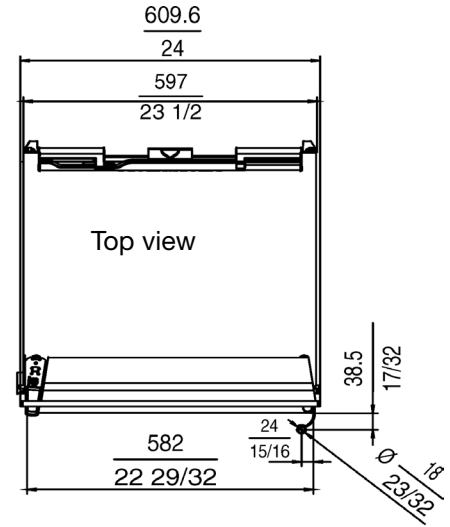
Side view right without ventilation grille



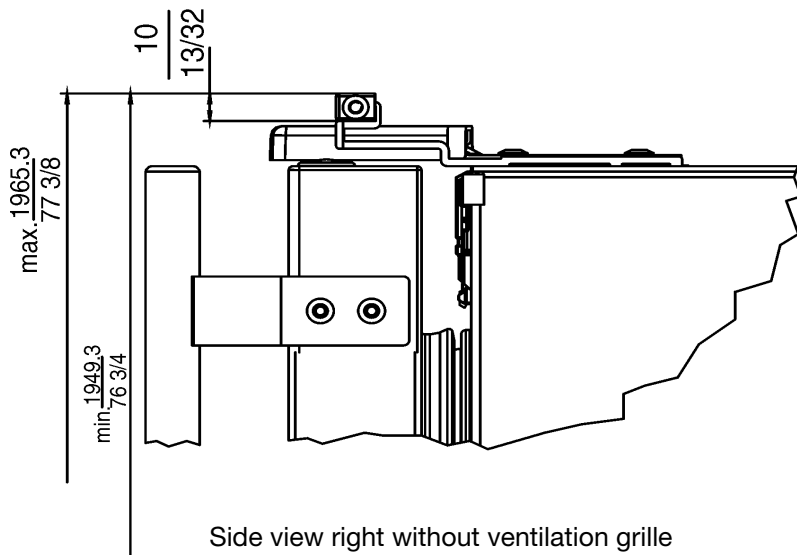
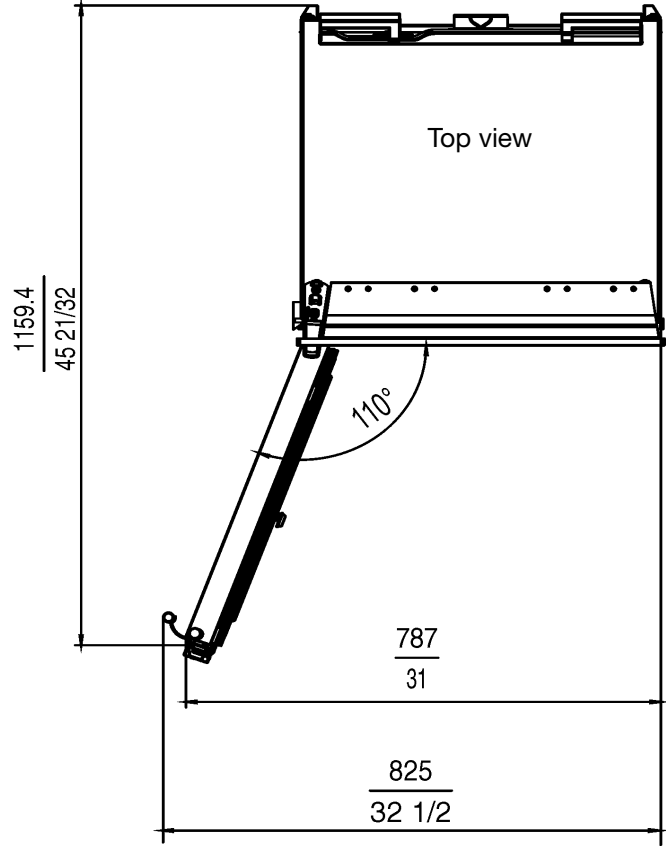
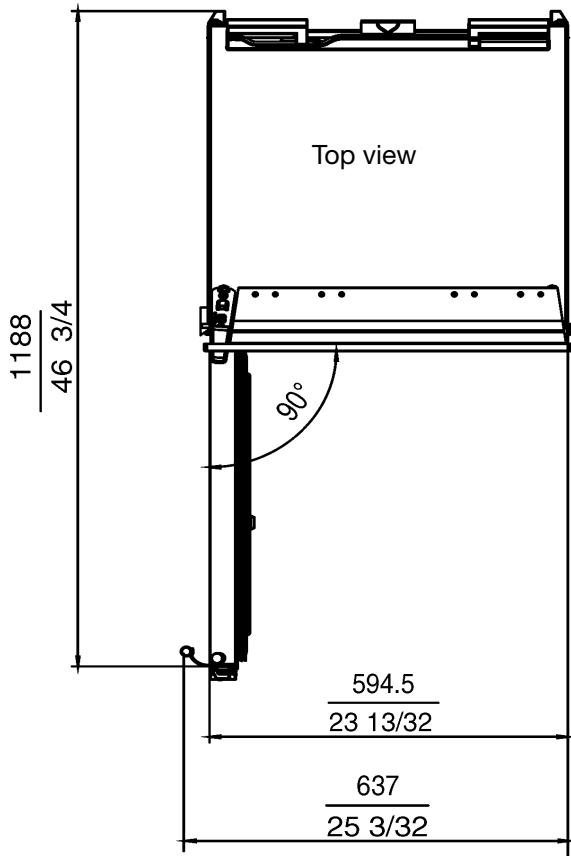
Built In Models 24" and 48"

Unit Dimensions: Solo Stainless steel

BF, WF 1061
R, RB 1410
F 1051



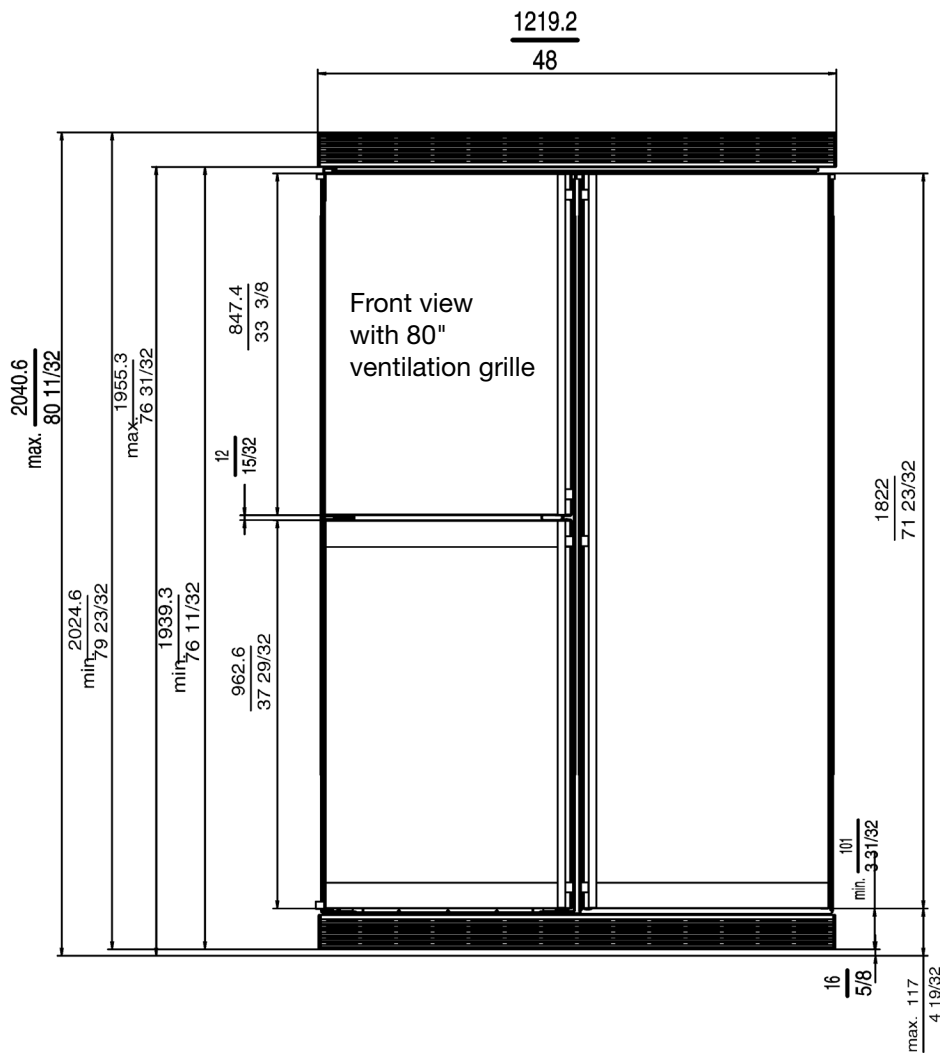
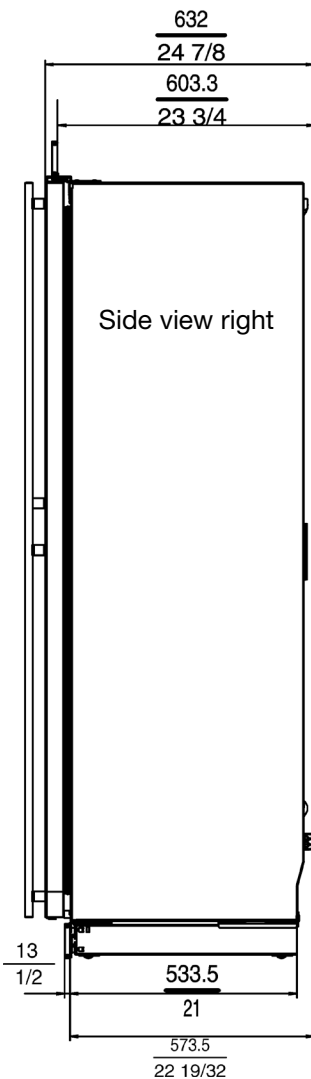
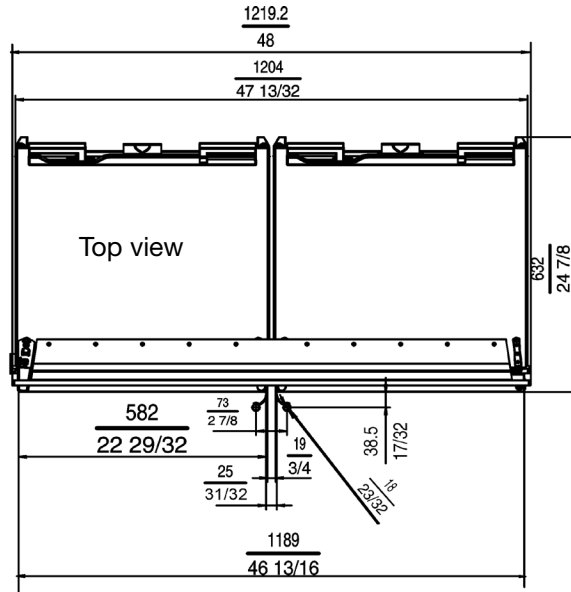
Built In Models 24" and 48"



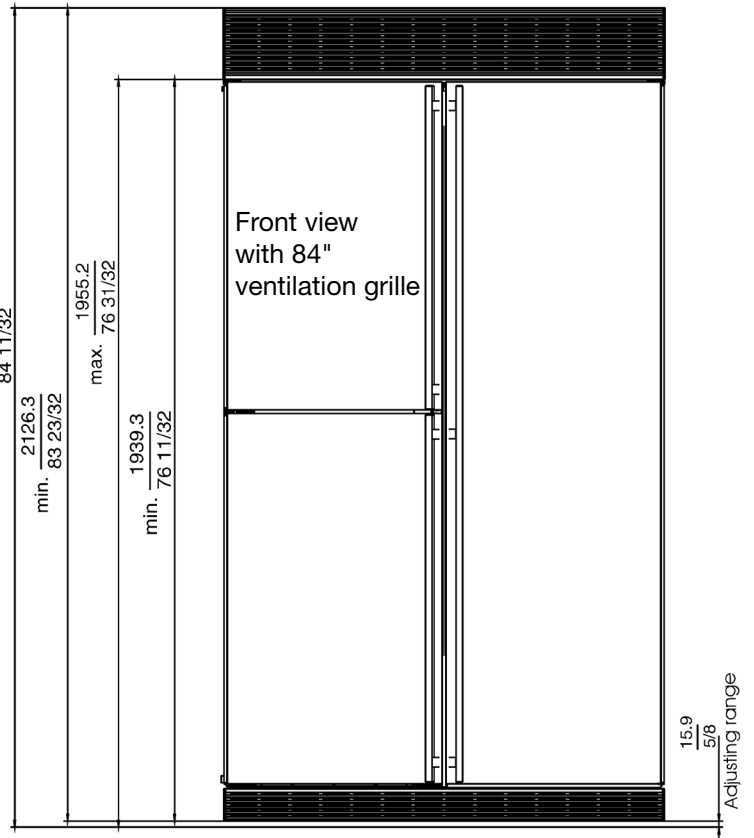
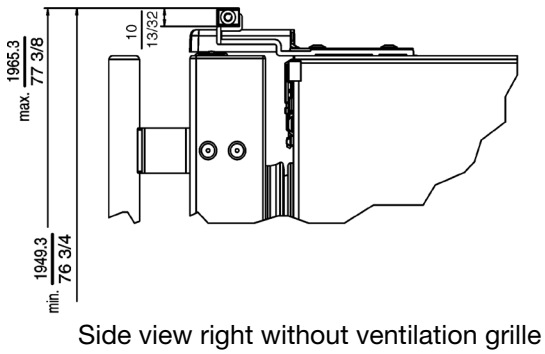
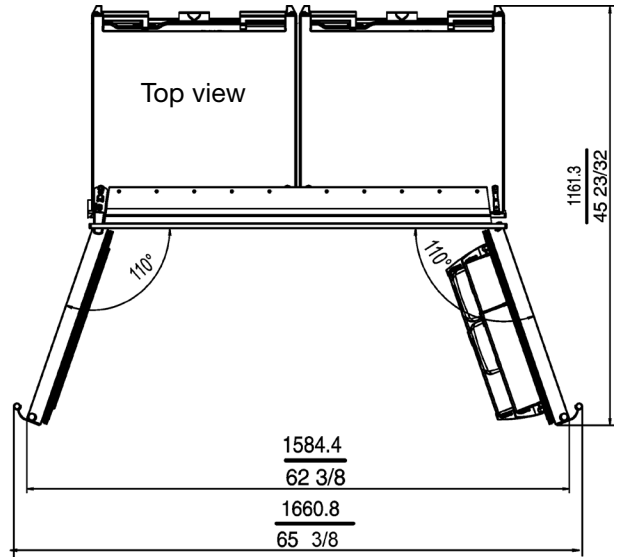
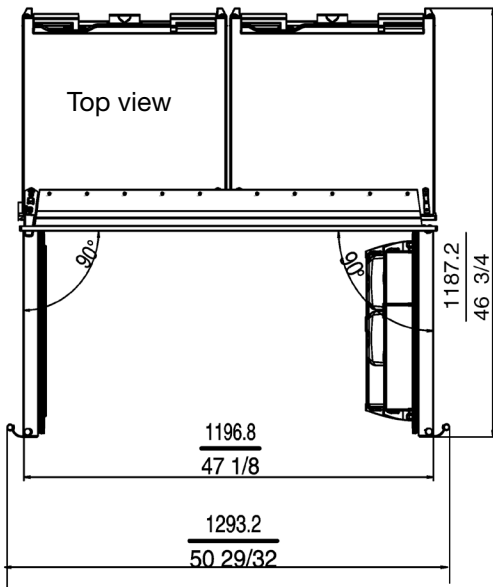
Built In Models 24" and 48"

Unit Dimensions: SBS Stainless steel

- SBS 241**
- SBS 243**
- SBS 244**
- SBS 246**



Built In Models 24" and 48"



Built In Models 24" and 48"

Cabinet Opening Dimensions

All units are to open at a minimum of 90° to prevent problems removing drawers. With the door opening 90°, you may have to move drawers slightly to clear the door interior.

- Use a minimum 2" (51 mm) filler, for corner installations, so the door can be opened to 90°. If you're using raised panels, consider using a wider filler.
- Use the supplied filler strip when units are installed side by side.

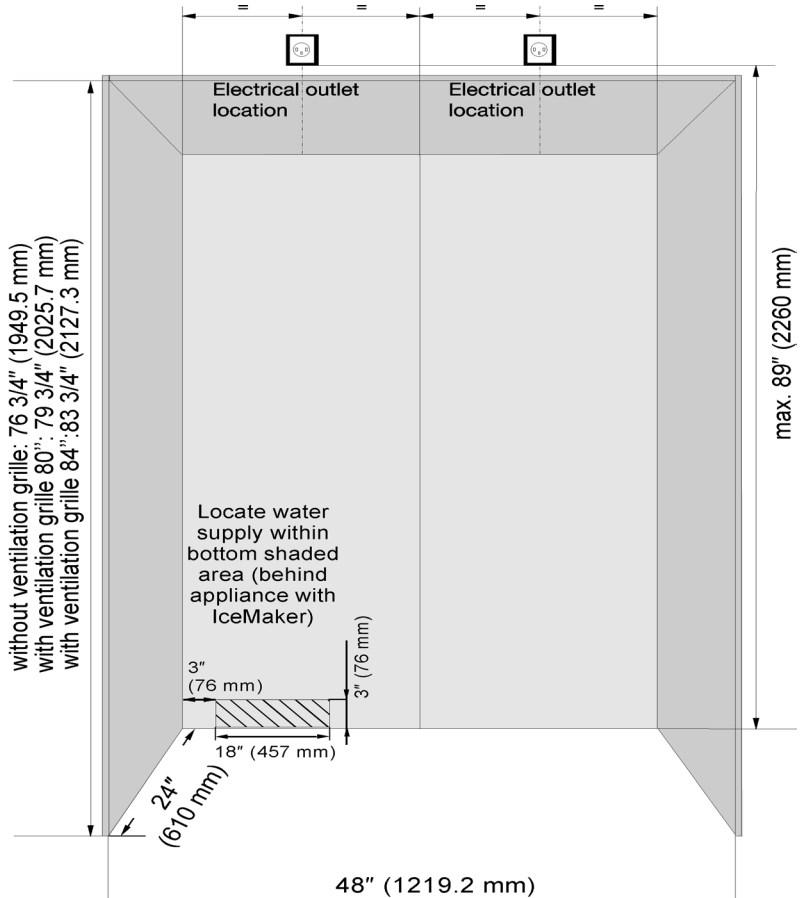
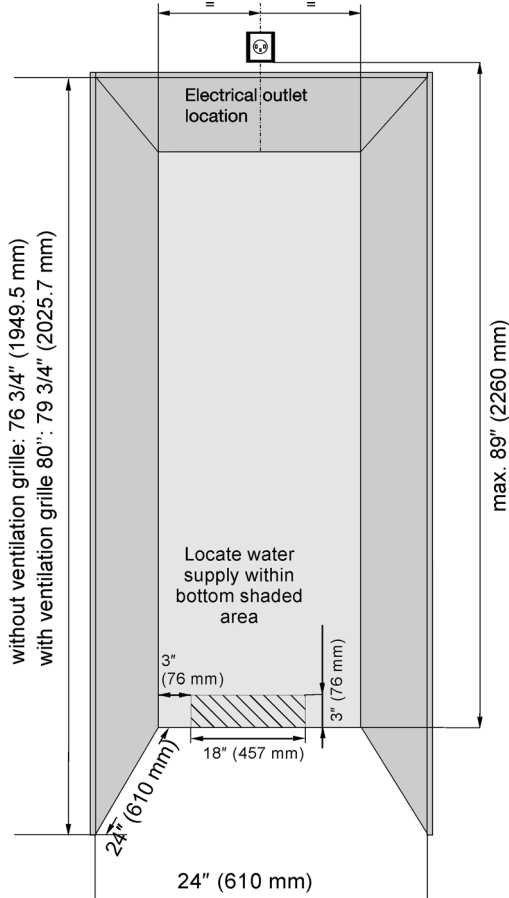
NOTE:

Refer to the minimum door clearances and illustrations at the end of this section for details on door openings and filler size alternatives.

The given cabinet opening height dimension includes top air vent. If you choose to place the vent above the cabinet or in a soffit, you will need to adjust the height dimension accordingly.

BF, BFI, WF, WFI 1061
R, RI, RB, RBI 1410
F, FI 1051

SBS 24I1, 24I
SBS 24I3, 24I3
SBS 24I6, 24I6
SBS 24I4, 24I4



Built In Models 24" and 48"

Ventilation Requirements

„This is a built-in refrigerator-freezer with either custom finished door panels or stainless steel doors. The unit is not intended for freestanding use and has to be installed inside a cabinet. This type of cabinet must be carefully constructed using the proper dimensions and it must provide proper ventilation to ensure proper appliance operation.

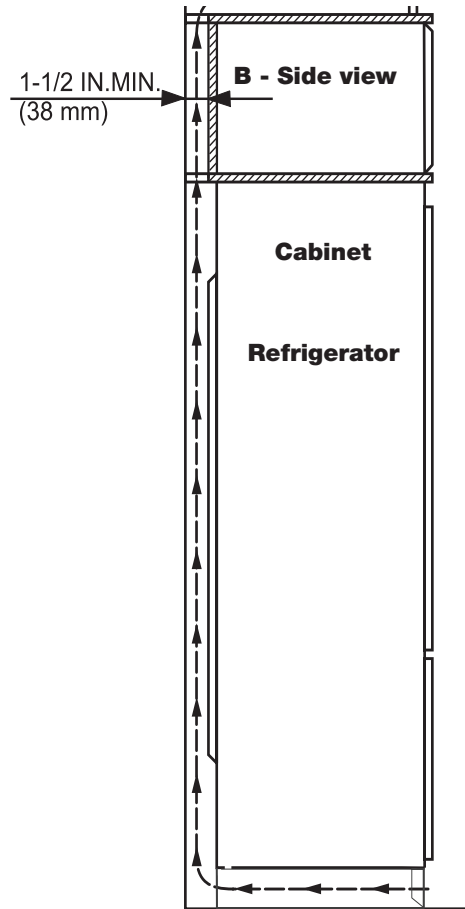
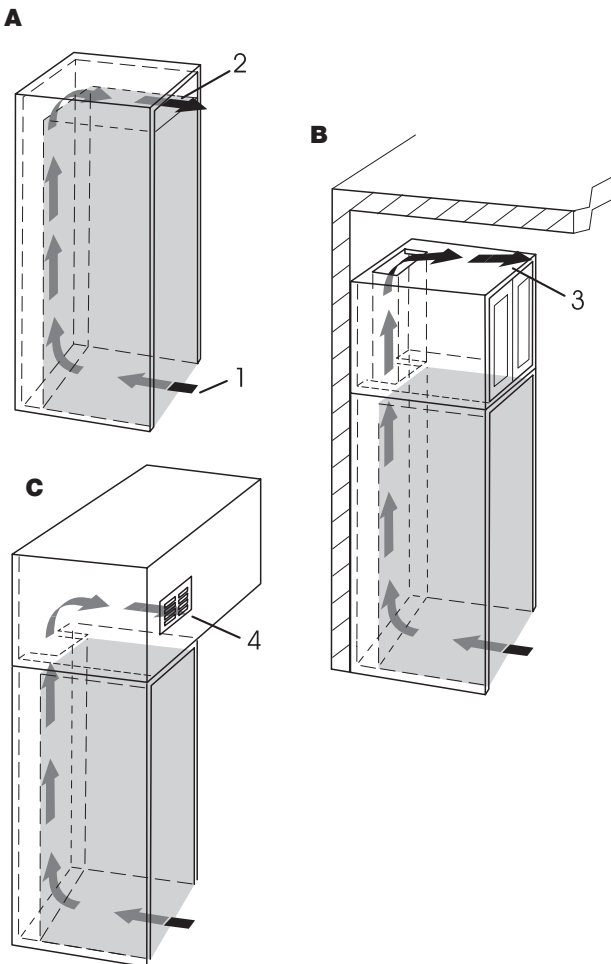
Kitchen Cabinet Airflow

1. The following ventilation dimensions must be observed:

There must be a ventilation space at least 31 in.² (200 cm²) at the airflow inlet (1) and at the airflow outlet (2).

The top ventilation space can be directed in one of the following ways:

- A) Directly over the appliance (2) with an optional factory air vent.
- B) Above the cabinet and below the ceiling (3).
- C) Through a vent installed in a soffit (4).



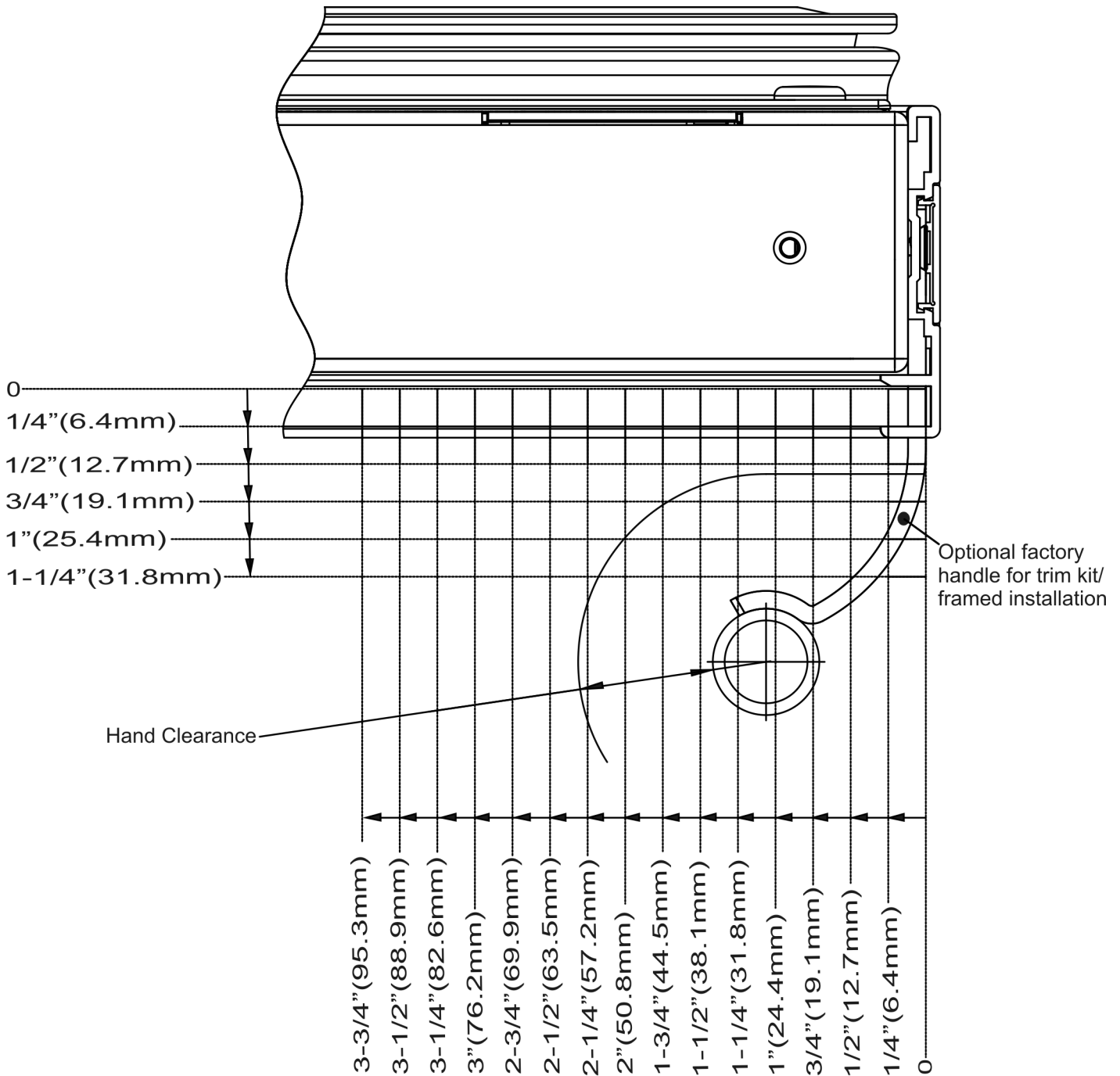
The refrigerator is designed to allow proper air flow when the appliance is installed up against the wall. A minimum space of 1 1/2" is required when a cabinet is built above.

Built In Models 24" and 48"

Handle Clearance

It is important to provide adequate clearance behind the handle so that the user's hand fits easily. The clearance may not have to be the entire length of the handle, but should be designed for user's comfort.

Please note that for framed installations, the factory Liebherr handles must be ordered.



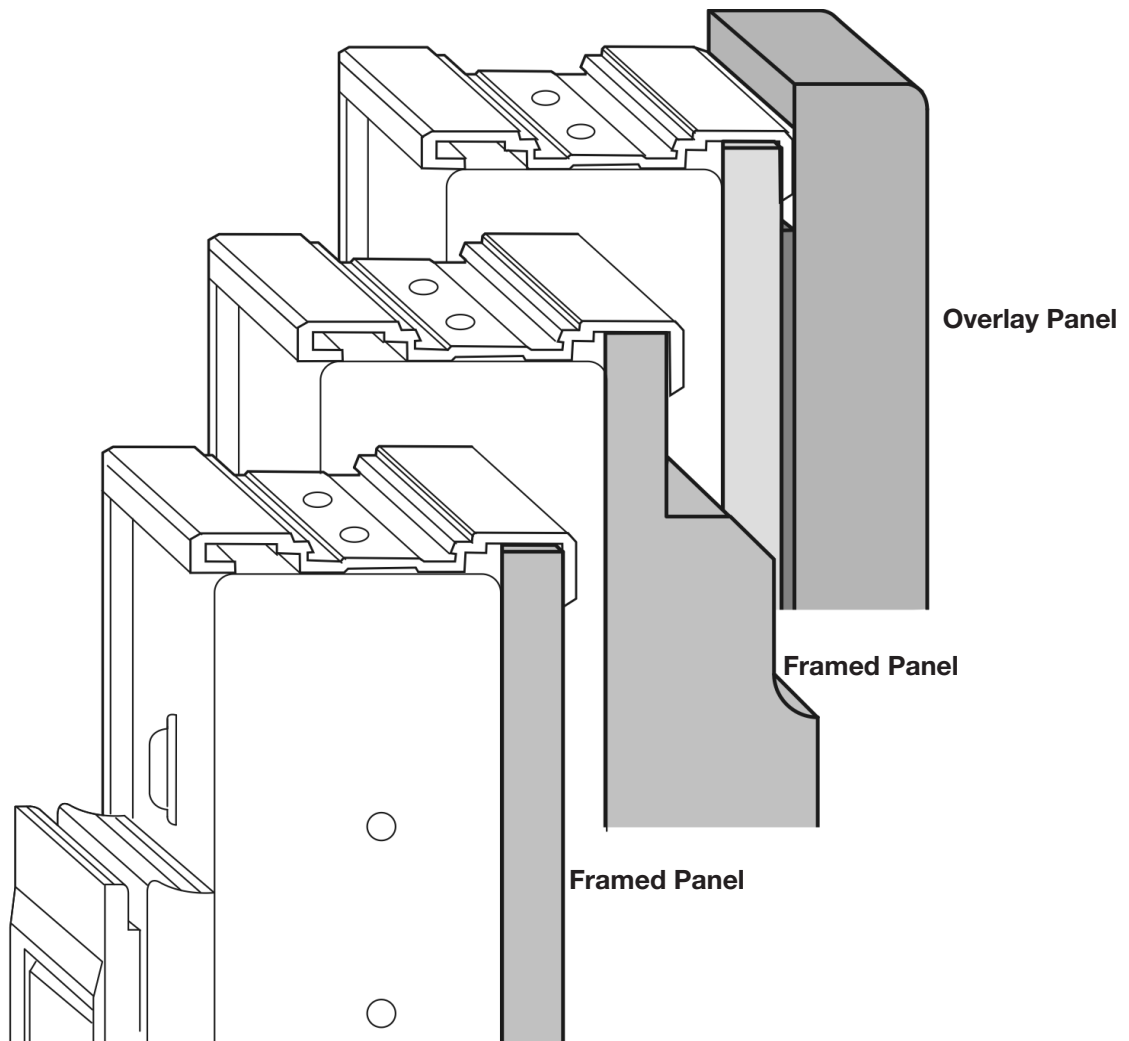
Scale 1:1

Built In Models 24" and 48"

Custom finish RI, RBI 1410, BFI, WFI 1061, FI 1051-SBS 24I1, 24I3, 24I4, 24I6

Framed and Overlay Panels

Liebherr offers numerous options for customization, allowing you to best complement the design of your dream kitchen. Decor frames make it possible to put custom panels on the built-in appliances. To match your kitchen's design, use custom finish panels, overlay or framed.



Built In Models 24" and 48"

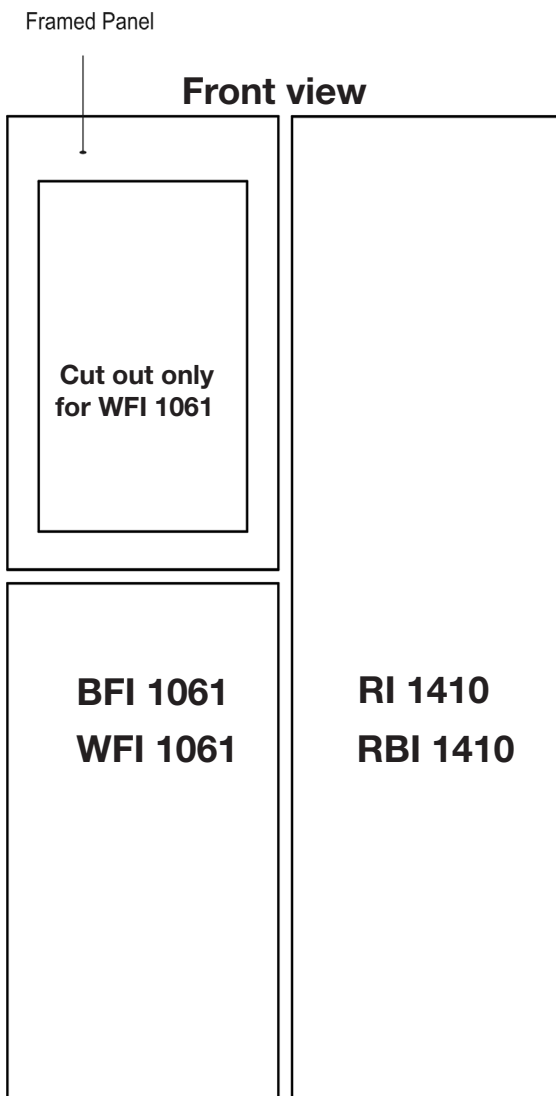
Framed Panel Dimensions

If the thickness of the custom panels is less than 1/4" (6.35 mm), they must be backed up with a sheet of shim material to build the total thickness to 1/4" (6.35 mm). If the panel is thicker than 1/4" (6.35 mm), an edge must be routed around the panel to ensure a proper fit.

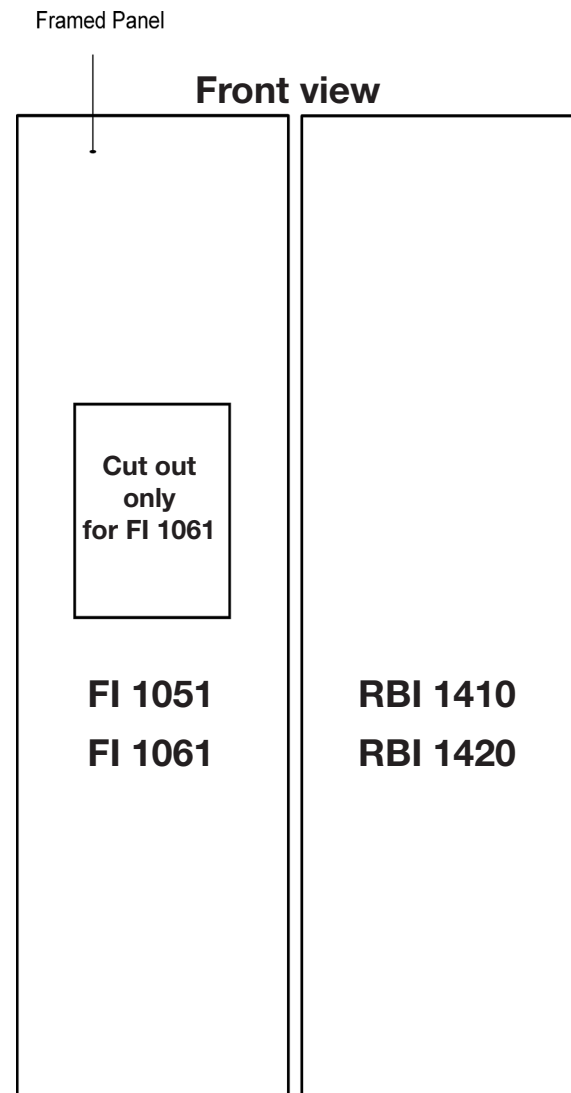
Side-by-Side Installation

For the dimensions of the door panels for SBS-installations please refer to the dimensions of the Solo-installations

Overview Side-by-Side Installationen



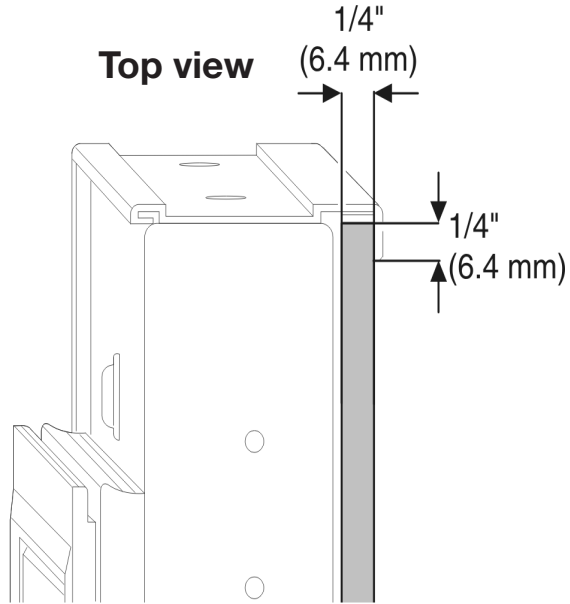
SBS 2411 (BFI 1061+ RI 1410)
SBS 2416 (WFI 1061+ RBI 1410)



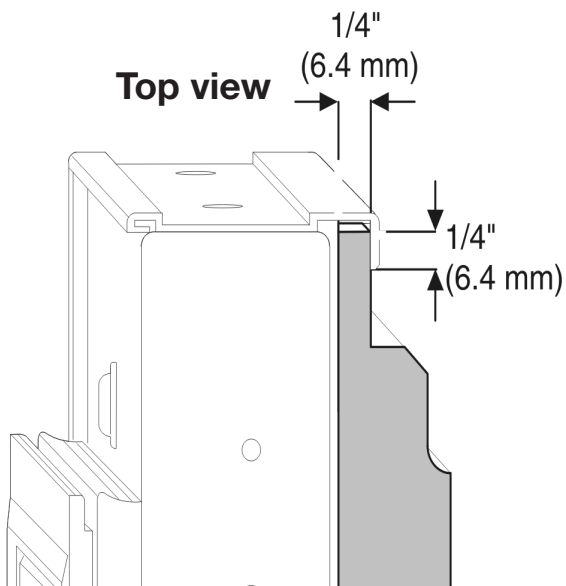
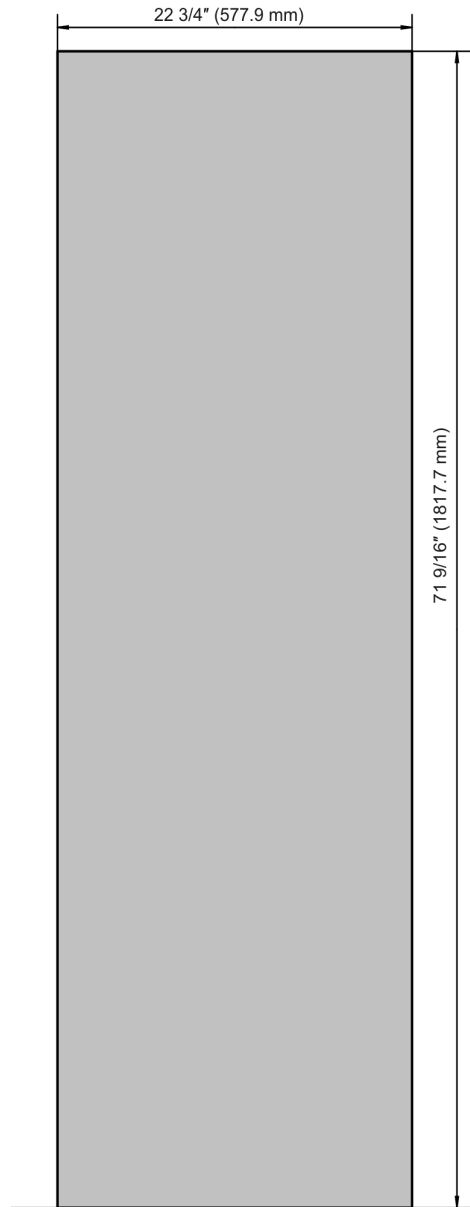
SBS 2413 (FI 1051+ RBI 1410)
SBS 2414 (FI 1061+ RBI 1420)

Built In Models 24" and 48"

Single Installation RI 1410, RBI 1410, FI 1051

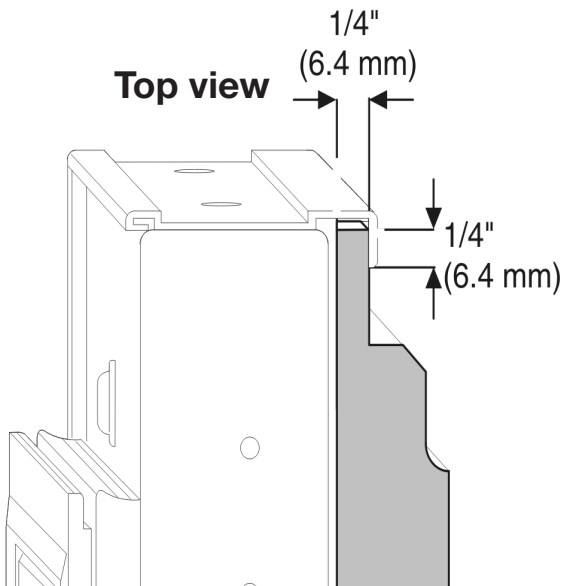
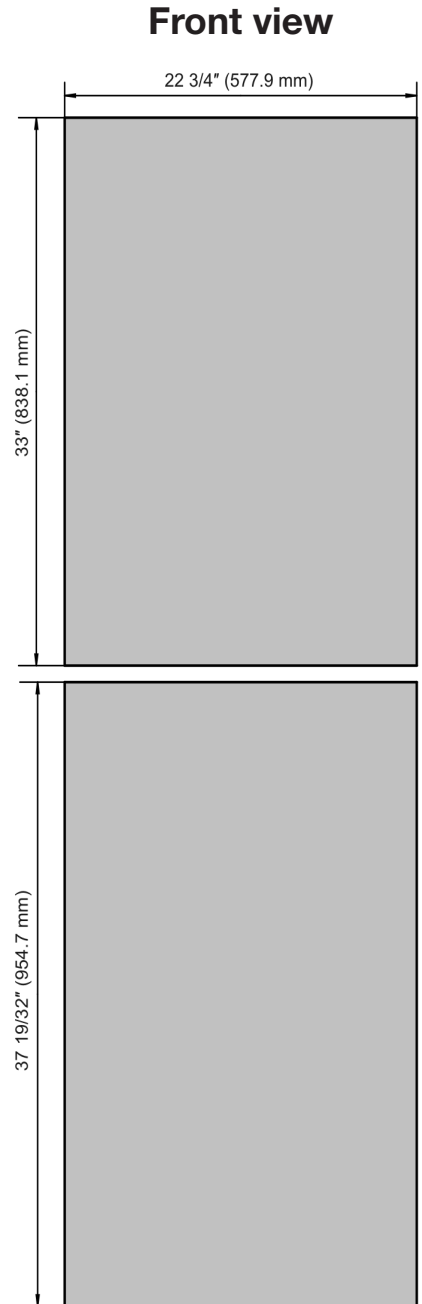
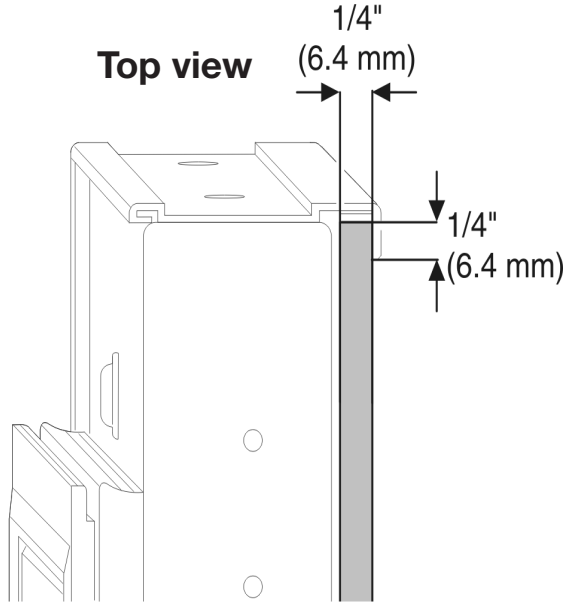


Front view



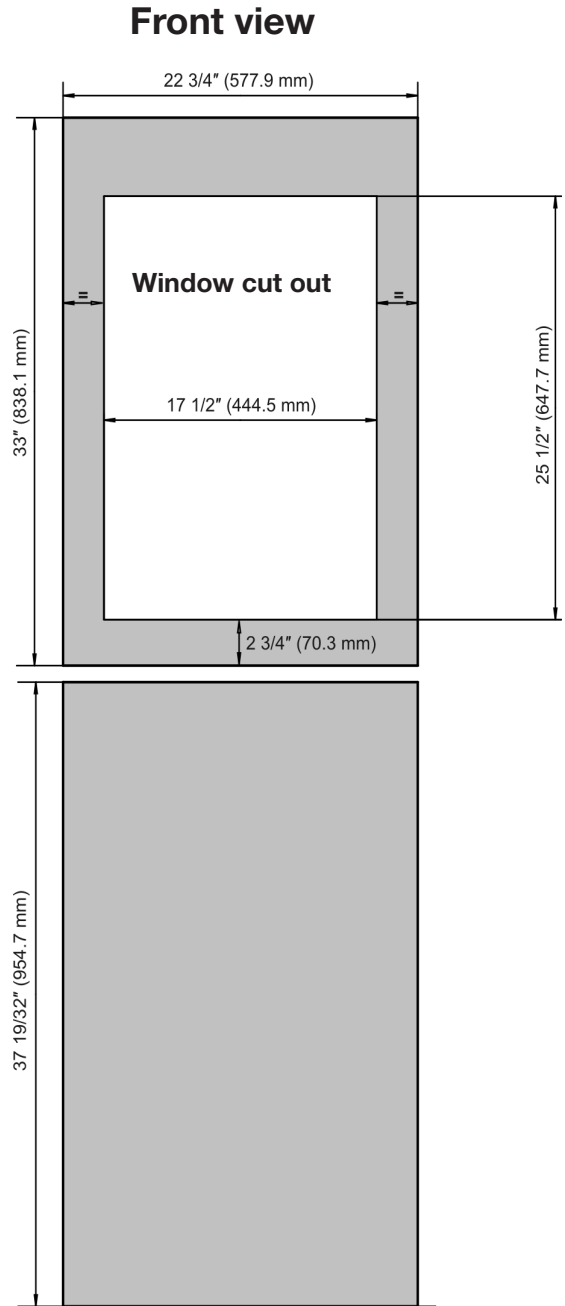
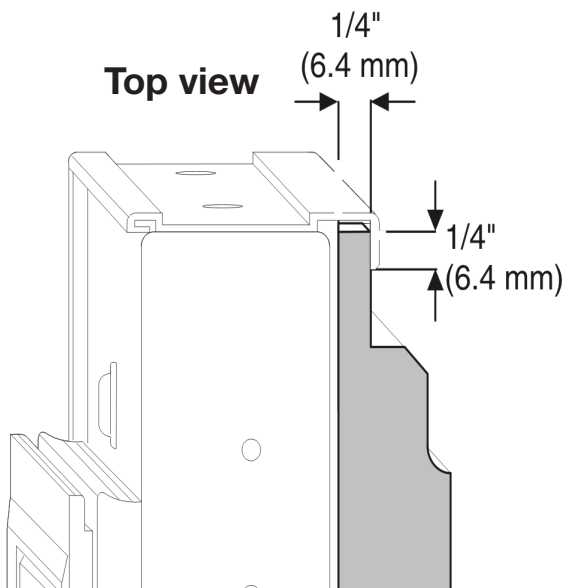
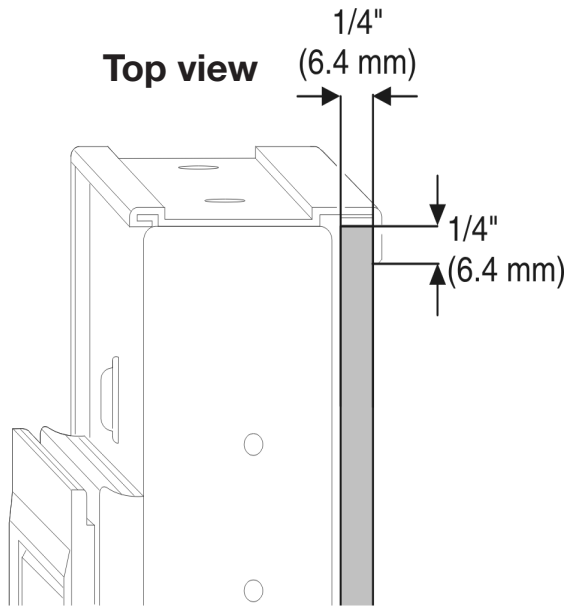
Built In Models 24" and 48"

Single Installation BFI 1061



Built In Models 24" and 48"

Single Installation WFI 1061

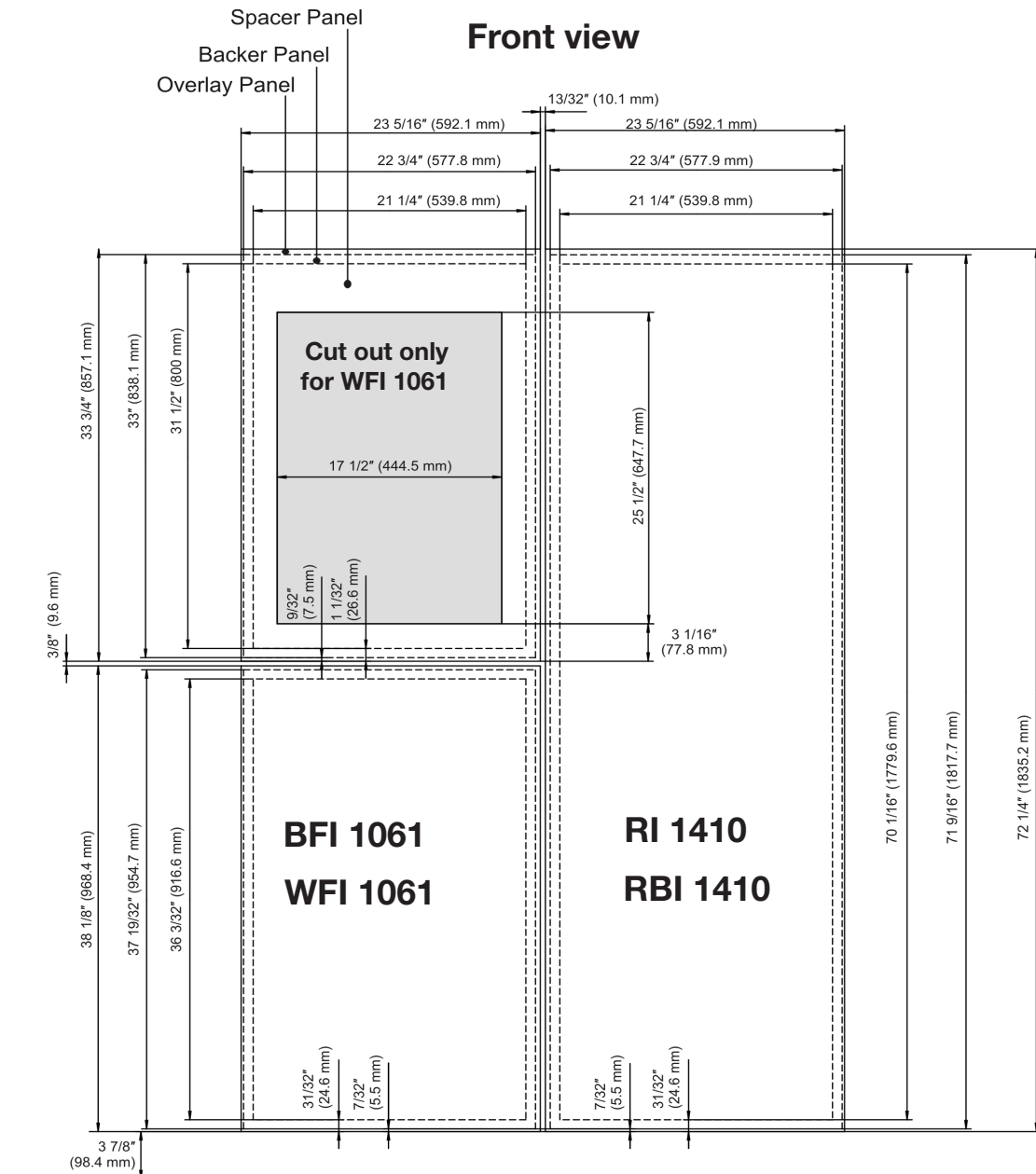


Built In Models 24" and 48"

Overlay Panel Dimensions

The overlay design line allows decorative panels to cover the door trim for a more seamless appearance that blends with the design of the room. The most common way to achieve this look is to work with three panels, the decorative overlay panel, a 3/32" (2.5 mm) spacer panel and a 1/4" (6.4 mm) backer panel. Depending on your cabinet manufacturer, this could be one panel routed for different dimensions or, more likely, three different panels. Appliances with one door: The door panel weight must not exceed 44 lbs (20 kg) per Overlay Panel. Appliances with two doors: The door panel weight must not exceed 25 lbs (11,3 kg) per Overlay Panel.

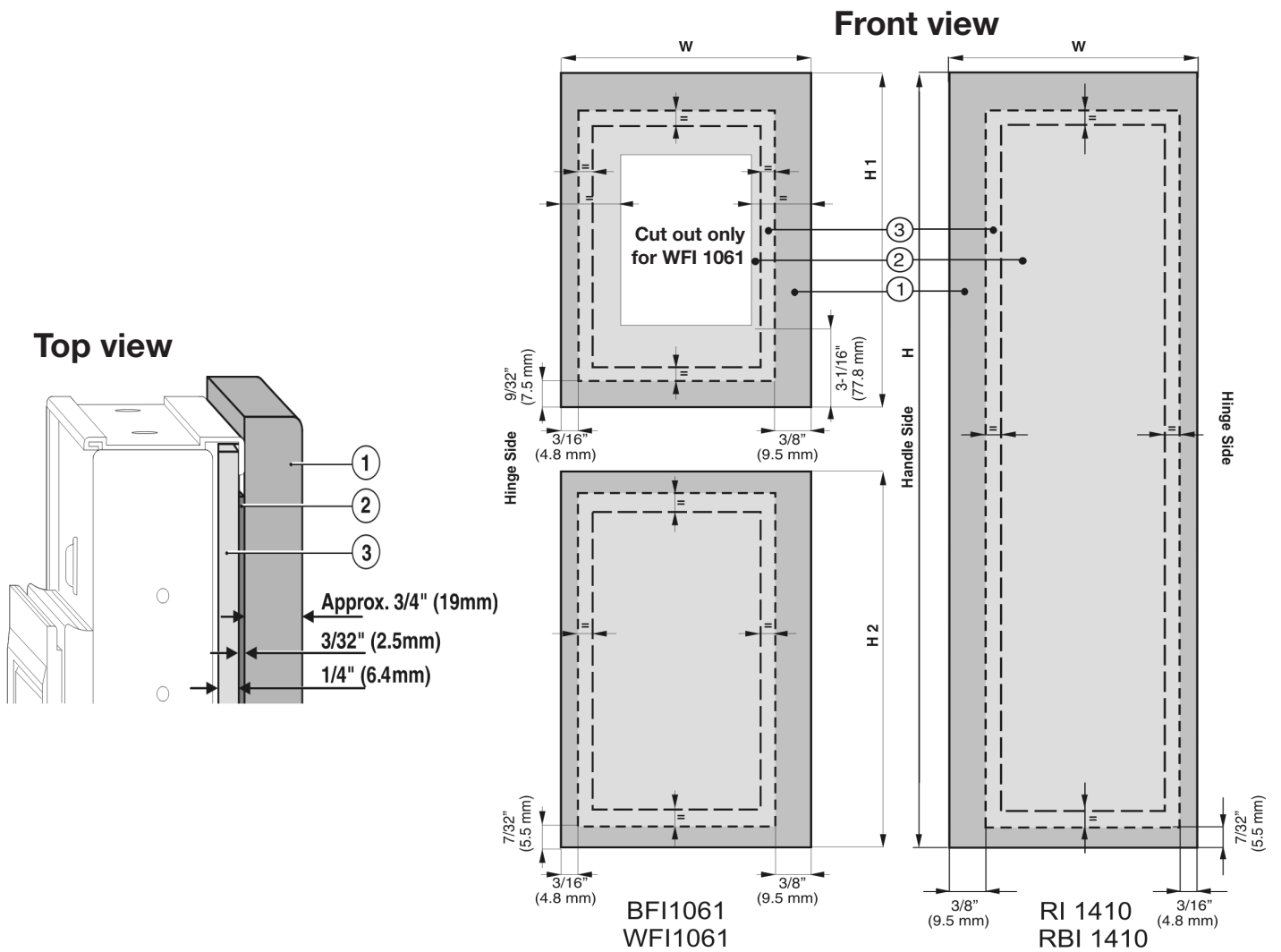
Side-by-Side installation BFI 1061, WFI 1061, RI 1410, RBI 1410



SBS 24I1 (BFI 1061+RI 1410)

SBS 24I6 (WFI 1061+RBI 1410)

Built In Models 24" and 48"

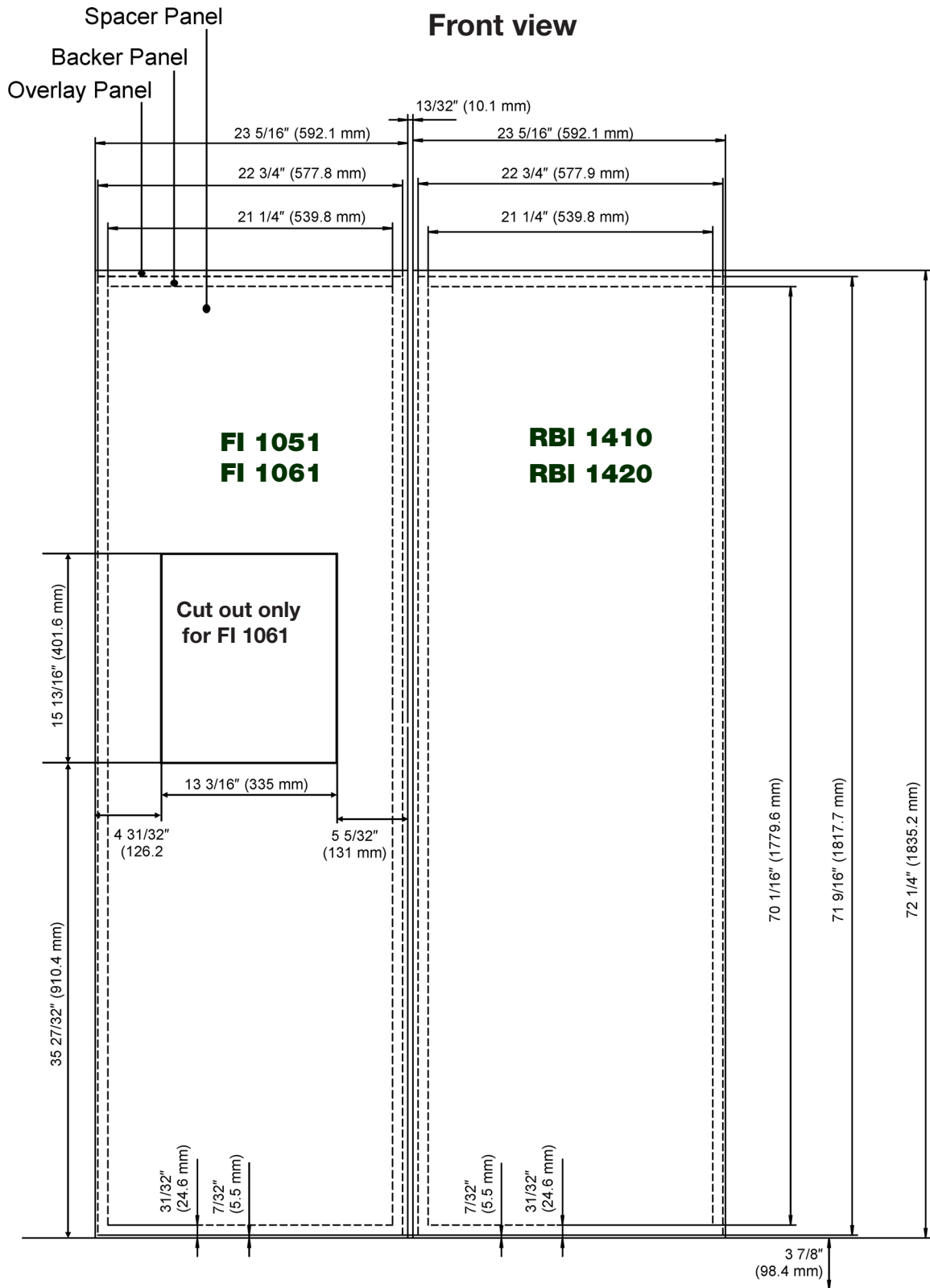


BFI 1061,WFI 1061	Width -W	H1 - Wine area	H2-Freezer section	Thickness of panel
Overlay panel (1)	23 5/16"(592.1mm)	33 3/4" (857.1mm)	38 1/8 (968.4 mm)	3/4" (19 mm)
Spacer panel (2)	21 1/4"(539.8mm)	31 1/2" (800 mm)	36 3/32" (916.6 mm)	3/32" (2.5 mm)
Backer panel (3)	22 3/4" (577.9 mm)	33" (838.1mm)	37 19/32" (954.7 mm)	1/4" (6.4 mm)
Cut-out for glass window	max. 17 1/2" (444.5mm)	max. 25 1/2" (647.7 mm)		

RI 1410,RBI 1410	Width-W	H-Height	Thickness of panel
Overlay panel (1)	23 5/16" (592.1mm)	72 1/4" (1835.2mm)	3/4" (19 mm)
Spacer panel (2)	21 1/4" (539.8mm)	70 1/16" (1779.6mm)	3/32" (2.5 mm)
Backer panel (3)	22 3/4" (577.9 mm)	71 9/16" (1817.7mm)	1/4" (6.4 mm)

Built In Models 24" and 48"

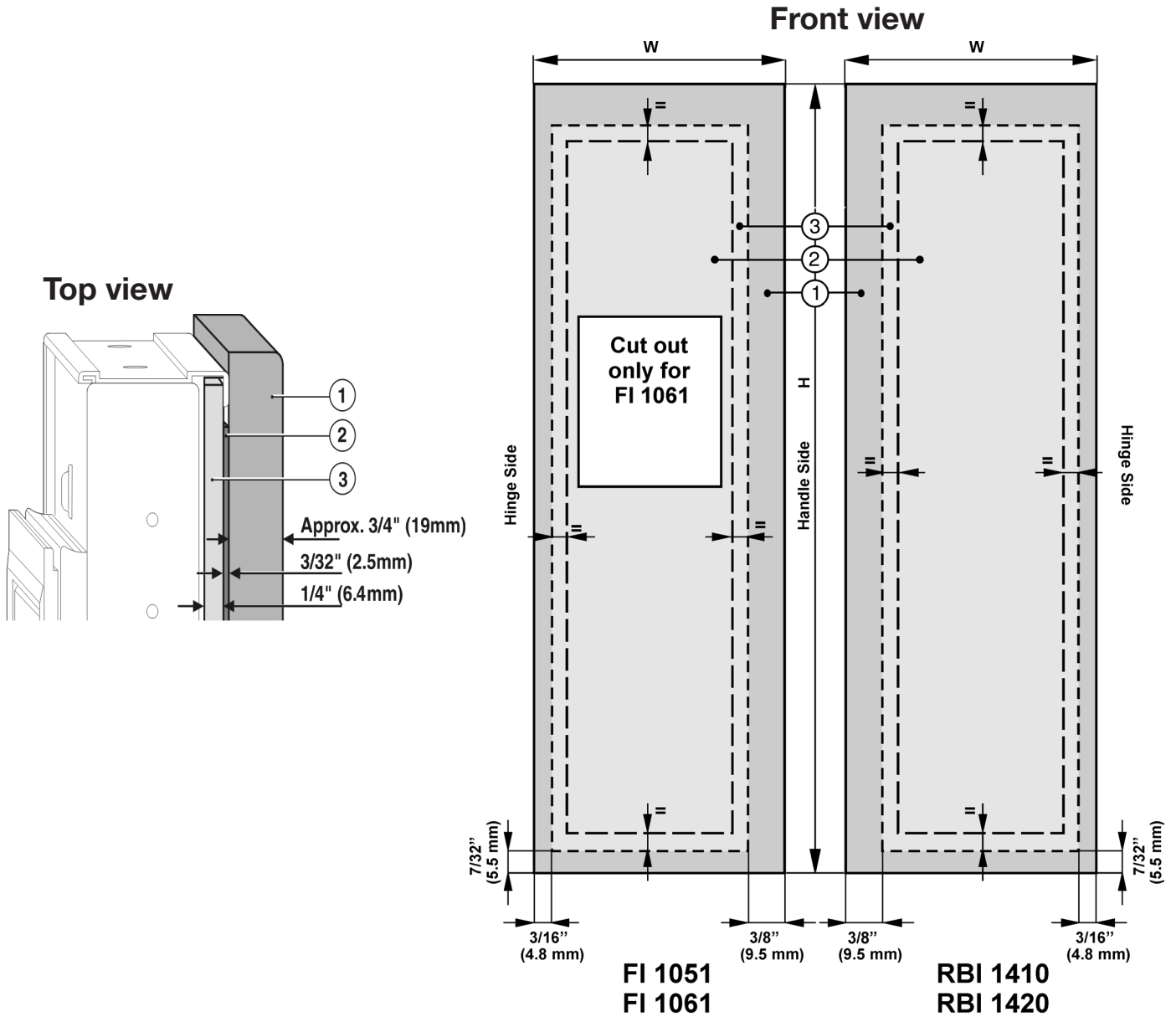
Side-by-Side installation FI 1051 + RBI 1410, FI 1061 + RBI 1420



SBS 24I3 (FI 1051 + RBI 1410)

SBS 24I4 (FI 1061 + RBI 1420)

Built In Models 24" and 48"

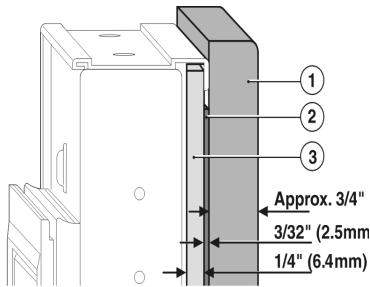


FI 1410, RBI 1410	Width-W	H-Height	Thickness of panel
Overlay panel (1)	23 5/16" (592.1 mm)	72 1/4" (1835.2 mm)	3/4" (19 mm)
Spacer panel (2)	21 1/4" (539.8 mm)	70 1/16" (1779.6 mm)	3/32" (2.5 mm)
Backer panel (3)	22 3/4" (577.9 mm)	71 9/16" (1817.7 mm)	1/4" (6.4 mm)
Cut out for output unit	13 3/16" (335 mm)	15 13/16" (401.6 mm)	

Built In Models 24" and 48"

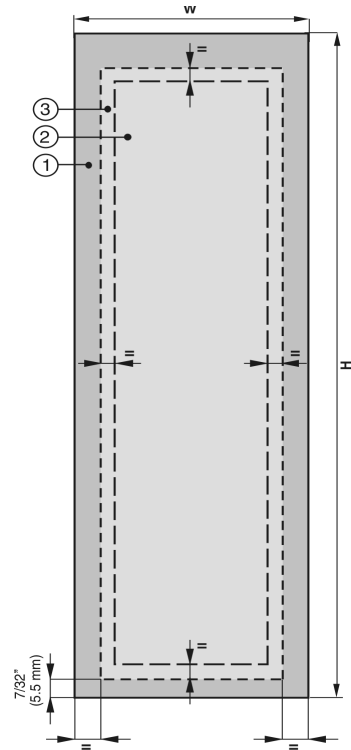
Single installation RI 1410, RBI 1410, FI 1051

Top view



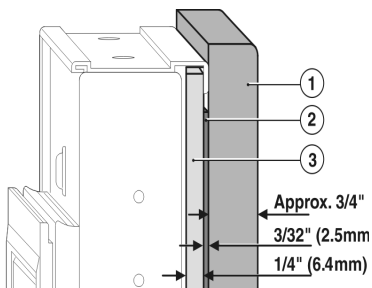
	Width - W	Height - H	Thickness of panel
Overlay panel (1)	23 5/16" (592.1 mm)	72 1/4" (1835.2 mm)	3/4" (19 mm)
Spacer panel (2)	21 1/4" (539.8 mm)	70 1/16" (1779.6 mm)	3/32" (2.5 mm)
Backer panel (3)	22 3/4" (577.9mm)	71 9/16" (1817.7 mm)	1/4" (6.4 mm)

Front view



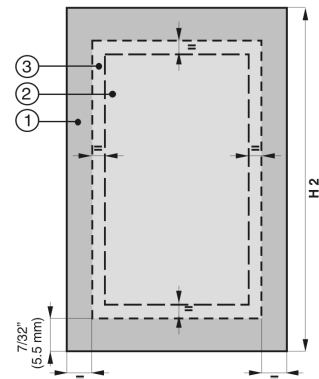
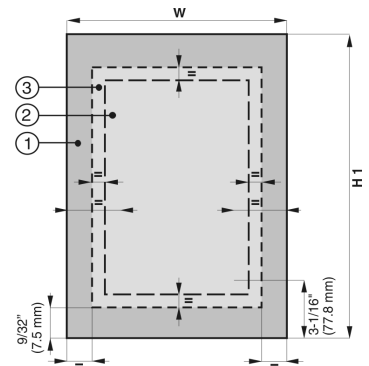
Single installation BFI 1061

Top view



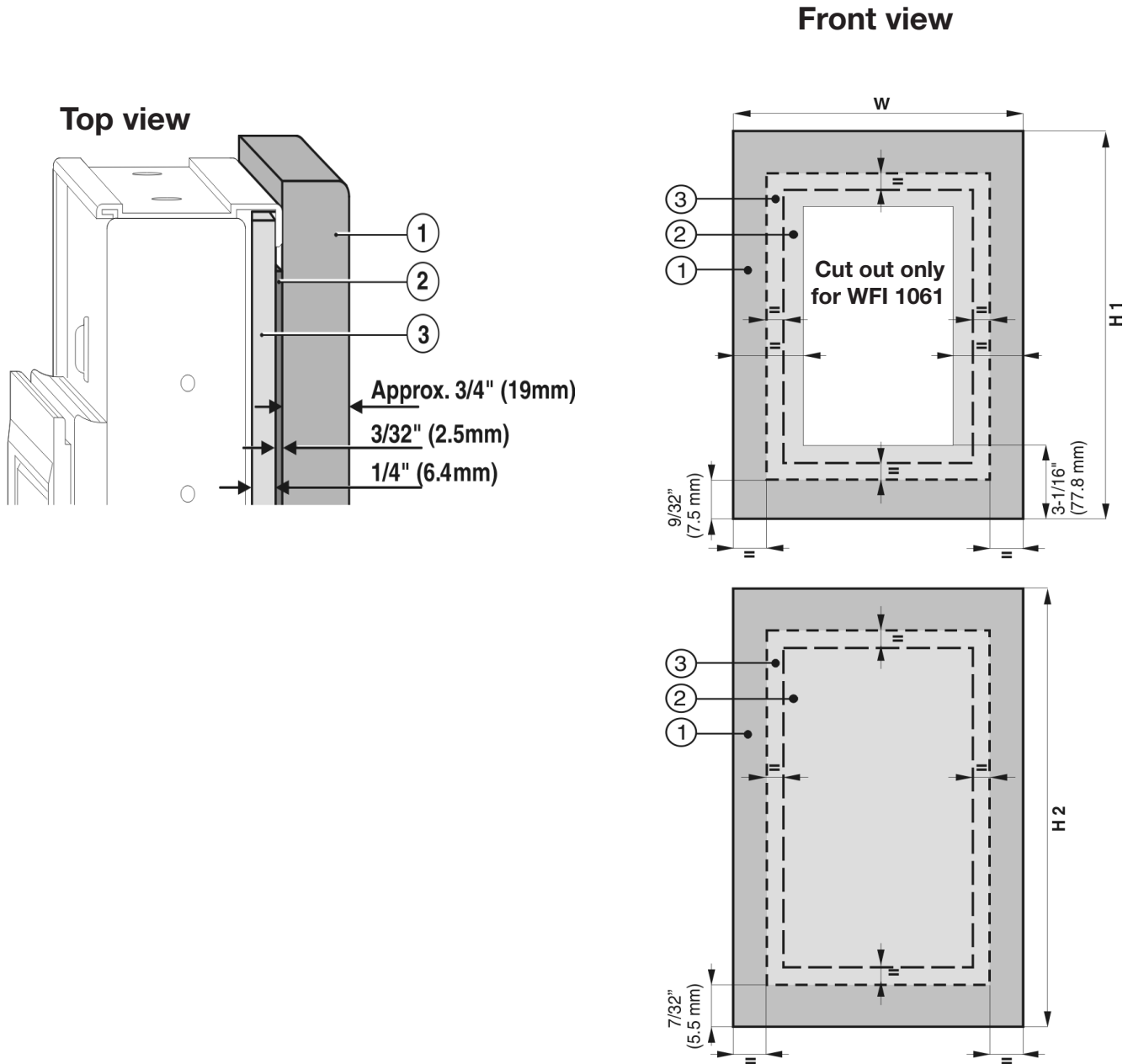
	Width - W	H1 - Refrigerator section	H2 - Freezer section	Thickness of panel
Overlay panel (1)	23 5/16" (592.1 mm)	33 3/4" (857.1 mm)	38 1/8" (968.4 mm)	3/4" (19 mm)
Spacer panel (2)	21 1/4" (539.8 mm)	31 1/2" (800 mm)	36 3/32" (916.6 mm)	3/32" (2.5 mm)
Backer panel (3)	22 3/4" (577.9 mm)	33" (838.1 mm)	37 19/32" (954.7 mm)	1/4" (6.4 mm)

Front view



Built In Models 24" and 48"

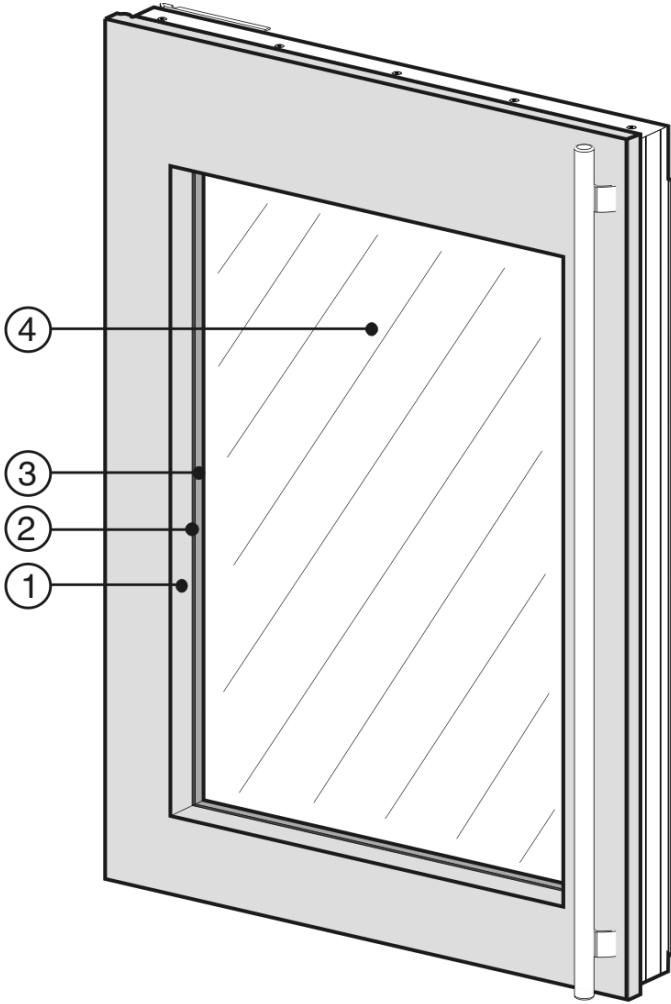
Single installation WFI 1061



BFI 1061,WFI 1061	Width -W	H1 - Wine area	H2-Freezer section	Thickness of panel
Overlay panel (1)	23 5/16"(592.1mm)	33 3/4" (857.1mm)	38 1/8 (968.4 mm)	3/4" (19 mm)
Spacer panel (2)	21 1/4"(539.8mm)	31 1/2" (800 mm)	36 3/32"(916.6 mm)	3/32" (2.5 mm)
Backer panel (3)	22 3/4" (577.9 mm)	33" (838.1mm)	37 19/32"(954.7 mm)	1/4" (6.4 mm)
Cut-out for glass window	max. 17 1/2" (444.5mm)	max. 25 1/2"(647.7 mm)		

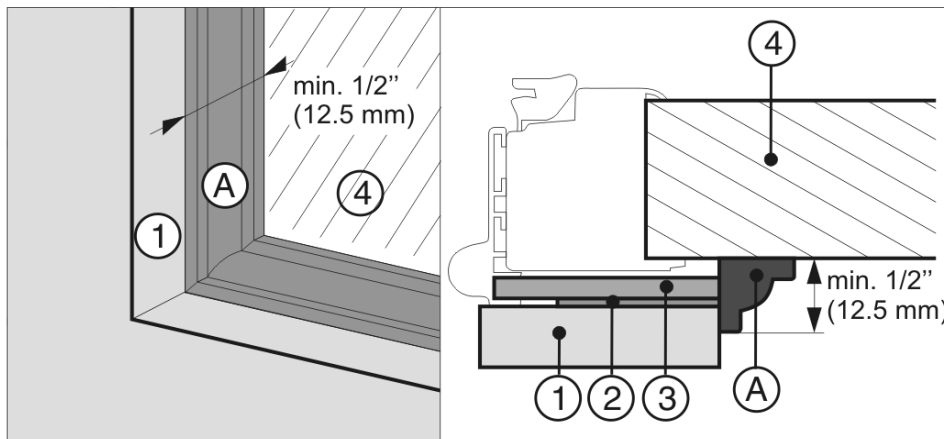
Built In Models 24" and 48"

Cut-out for glass window WFI1061



The edges of the panels 1,2,3 are visible at the transition to the glass window 4 .
It can be covered with a glass retainer strip A for esthetic reasons.

- (1) Overlay panel (3) Backer panel
- (2) Spacer panel (4) Glassed area



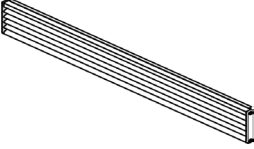
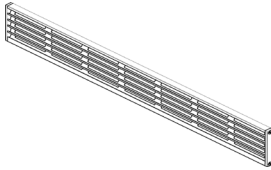
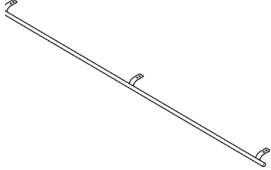
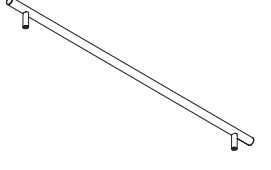
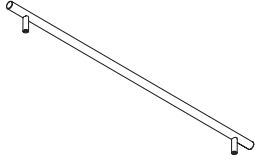
Built In Models 24" and 48"

Accessories for Framed and Overlay Panels

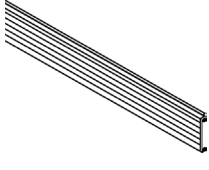
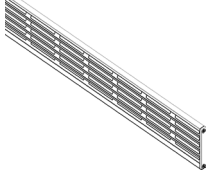
Kits may be necessary to complete this unit's installation or to apply it in a different manner than its original intent. If a kit is necessary, contact your Liebherr retailer or distributor.

The following kits are available:

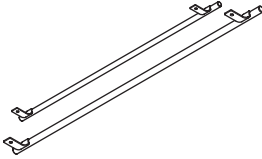
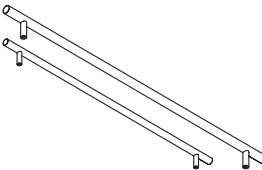
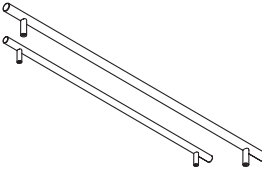
For Single 24" Unit Installation RI/RBI1410, FI 1051

	9900306	Single Installation Set Bottom ventilation grille, Installation parts Standard installation accessory
	9900302	Top Ventilation Grille Optional installation accessory
	9900298	Handle Trim Kit for framed panels Made of stainless steel Diameter: 3/4" (18 mm) Length: 71-3/4" (1822 mm) Optional installation accessory
	9900728	Handle for Overlay Panel Made of stainless steel Diameter: 3/4" (18 mm) Length: 28-1/2" (725 mm) Optional installation accessory
	9900732	Handle for Overlay Panel Made of stainless steel Diameter: 1" (25 mm) Length: 32-1/2" (825 mm) Optional installation accessory

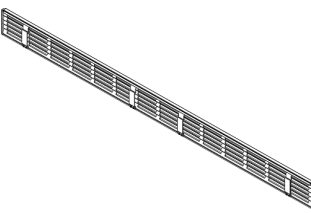

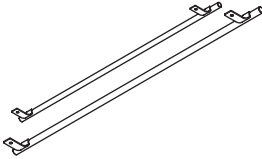
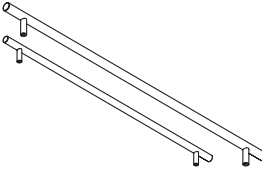
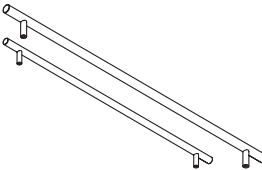
For Single 24" Unit Installation BFI/WFI 1061

	9900306	Single Installation Set Bottom ventilation grille, Installation parts Top Ventilation Grille Standard installation accessory
	9900302	Top Ventilation Grille Optional installation accessory

Built In Models 24" and 48"

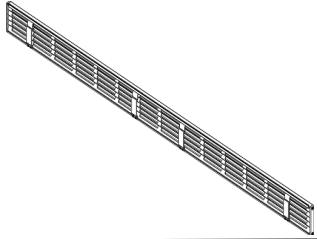
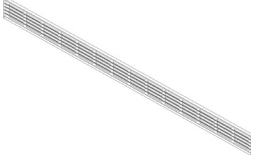
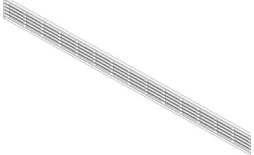
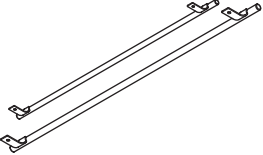
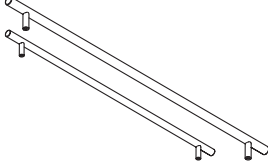
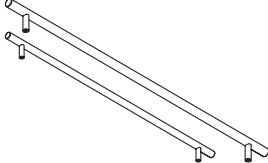
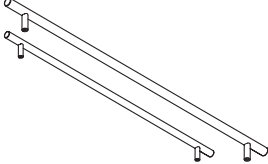
	9900300	<p>Handles Trim Kit for framed panels. Made of stainless steel Diameter 3/4" (18 mm) Length: 37-7/8" (962.5 mm) 33-3/8" (847.4 mm)</p> <p>Optional installation accessory</p>
	9900819	<p>Handles for Overlay Panels Made of stainless steel Diameter: 3/4" (18 mm) Length: 13-3/4" (350 mm), both</p> <p>Optional installation accessory</p>
	9900821	<p>Handles for Overlay Panels, Made of stainless steel Diameter: 1" (25 mm) Length: 17-3/4" (450 mm) 13-3/4" (350 mm)</p> <p>Optional installation accessory</p>

For Side-by-Side 48" Unit Installation SBS 24I1, 24I6

	9900308	<p>Side-by-Side Kit Standard installation accessory</p>
	9900304 9900344	<p>Top Ventilation Grille 80" Top Ventilation Grille 84"</p> <p>Optional installation accessory</p>
	9900300 and 9900298	<p>Handles Trim Kit for framed panels. Made of stainless steel Diameter: 3/4" (18mm) Length: 37-7/8" (962.5 mm) 33-3/8" (847.4 mm) 71-3/4" (1822 mm)</p> <p>Optional installation accessory</p>
	9900819 and 9900728	<p>Handles for Overlay Panels. Made of stainless steel. Diameter: 3/4" Length: 2 handles 13-3/4" (350 mm) 1 handle 28-1/2" (725 mm)</p> <p>Optional installation accessory</p>
	9900821 and 9900732	<p>Handles for Overlay Panels. Made of stainless steel Diameter: 1" Length: 17-3/4" (450 mm) 13-3/4" (350 mm) 32-1/2" (825 mm)</p> <p>Optional installation accessory</p>

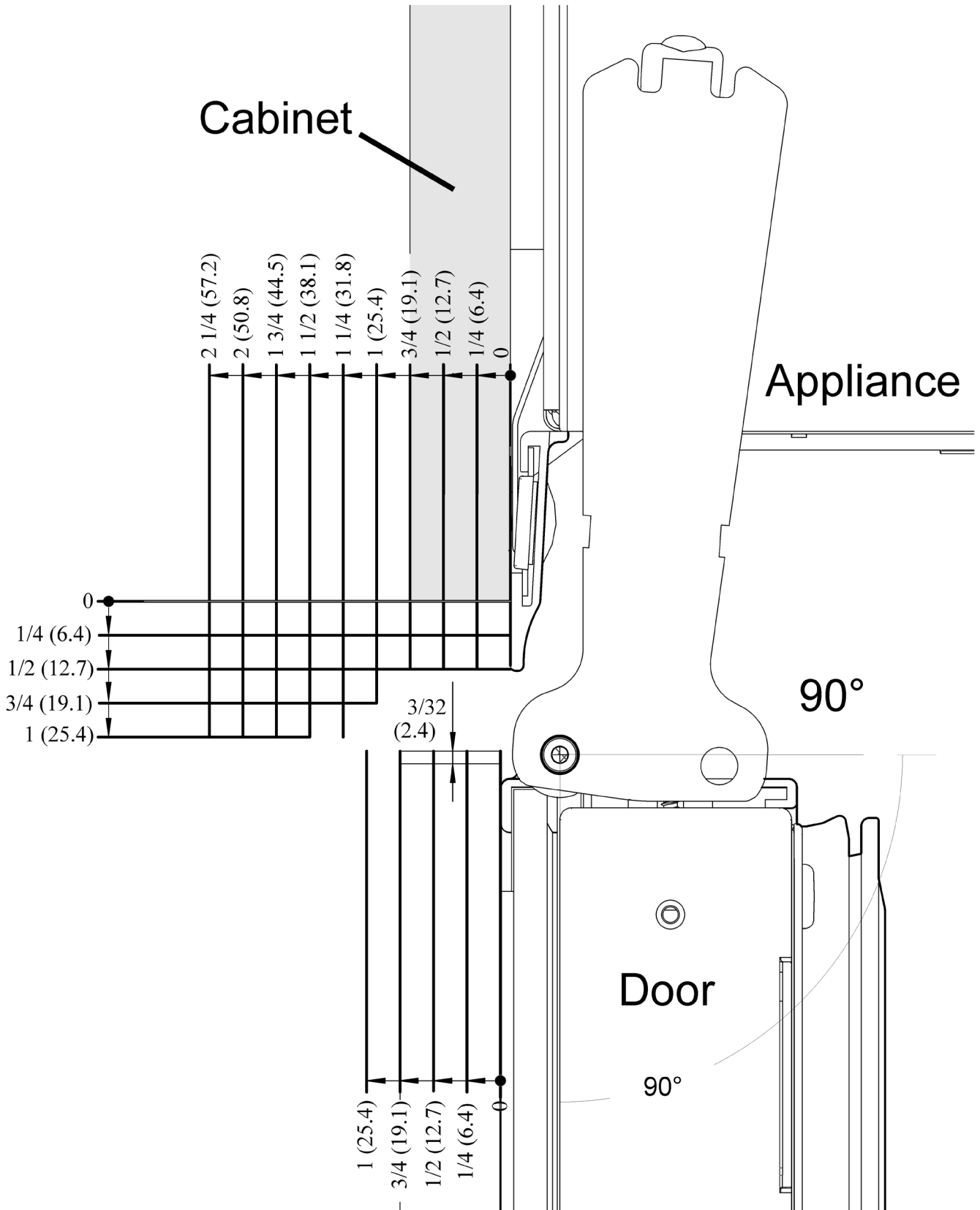
Built In Models 24" and 48"

For Side-by-Side 48" Unit Installation SBS 24I3

	<p>9900308</p>	<p>Side-by-Side Kit Standard installation accessory</p>
 	<p>9900304 9900344</p>	<p>Top Ventilation Grille 80" Top Ventilation Grille 84" Optional installation accessory</p>
	<p>2x9900298</p>	<p>Handles Trim Kit for framed panels. Made of stainless steel Diameter: 3/4" (18mm) Length: Diameter: 3/4" (18 mm) Length: 71-3/4" (1822 mm) Optional installation accessory</p>
	<p>2x9900728</p>	<p>Handles for Overlay Panels. Made of stainless steel. Diameter: 3/4" Length: 2 handles 13-3/4" (350 mm) 1 handle 28-1/2" (725 mm) Optional installation accessory</p>
	<p>9900821 and 2x9900732</p>	<p>Handles for Overlay Panels. Made of stainless steel Diameter: 1" Length: 17-3/4" (450 mm) 13-3/4" (350 mm) 32-1/2" (825 mm) Optional installation accessory</p>
	<p>9900819</p>	<p>Handles for Overlay Panels Made of stainless steel Diameter: 3/4" (18 mm) Length: 13-3/4" (350 mm), both Optional installation accessory</p>

Built In Models 24" and 48"

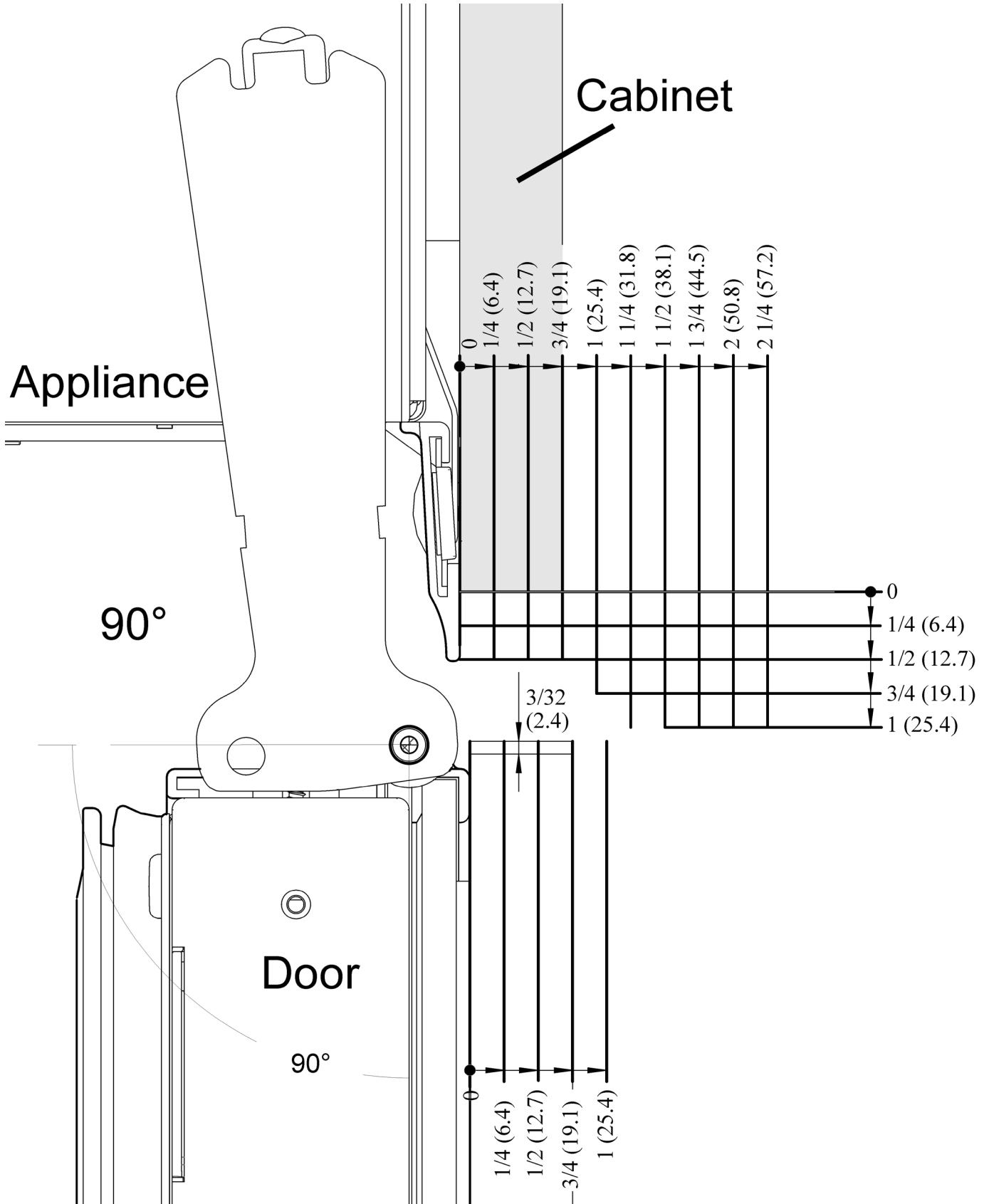
Door Swing Clearance, Overlay appliances, Door hinges left 90°



Scale 1:1

Built In Models 24" and 48"

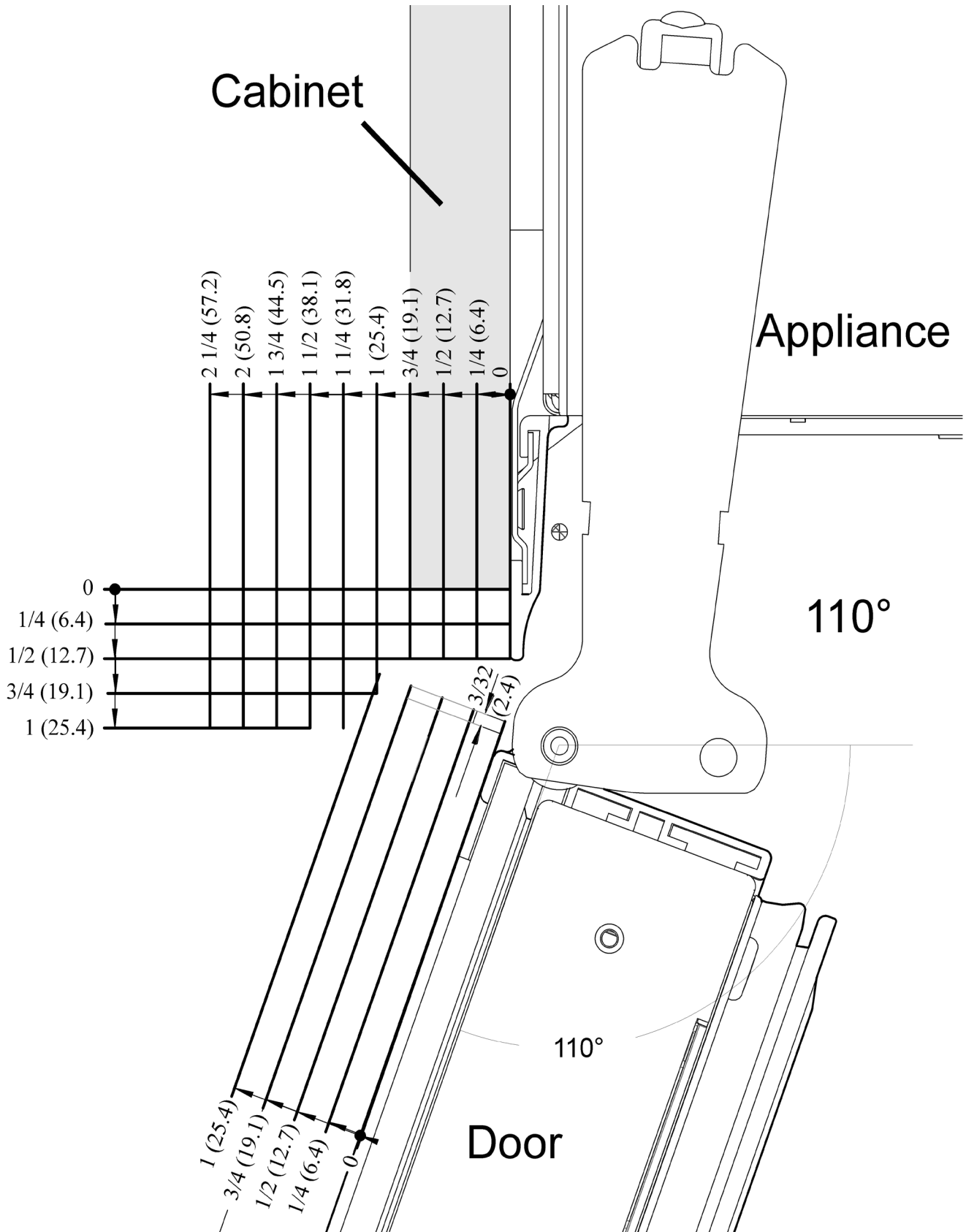
Door Swing Clearance, Overlay appliances, Door hinges right 90°



Scale 1:1

Built In Models 24" and 48"

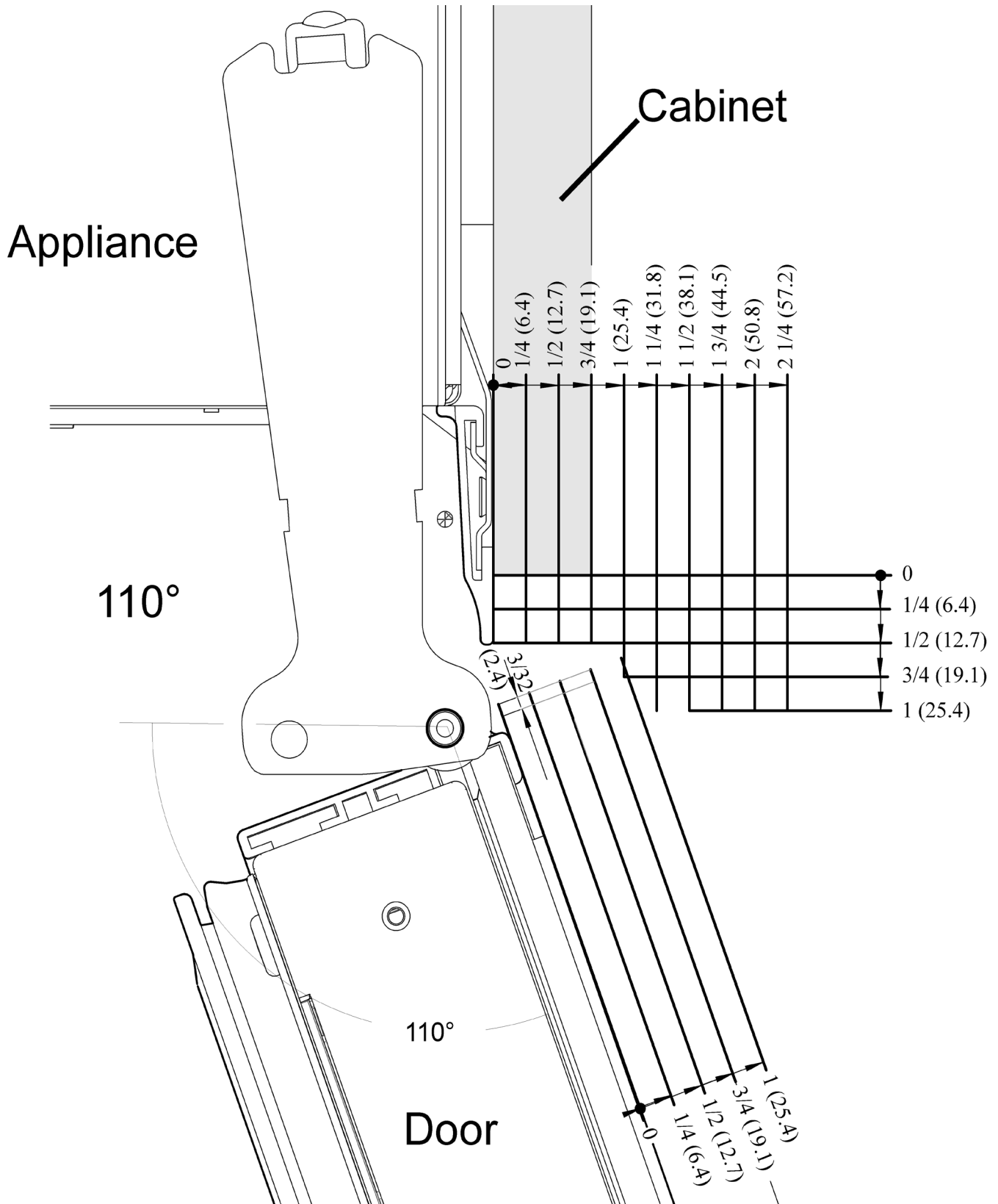
Door Swing Clearance, Overlay appliances, Door hinges left 110°



Scale 1:1

Built In Models 24" and 48"

Door Swing Clearance, Overlay appliances, Door hinges right 110°



Scale 1:1

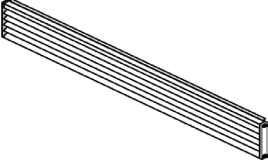
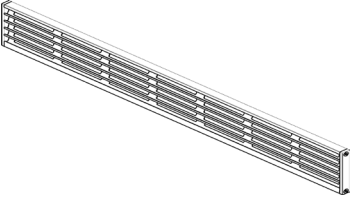
Built In Models 24" and 48"

Accessories for Stainless steel

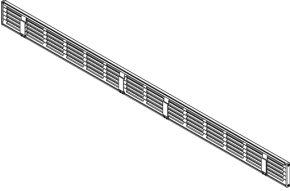
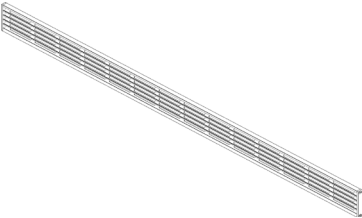
Kits may be necessary to complete this unit's installation or to apply it in a different manner than its original intent. If a kit is necessary, contact your Liebherr retailer or distributor.

The following kits are available:

For Single 24" Installation R, RB 1410 and BF, WF 1061, FI 1051

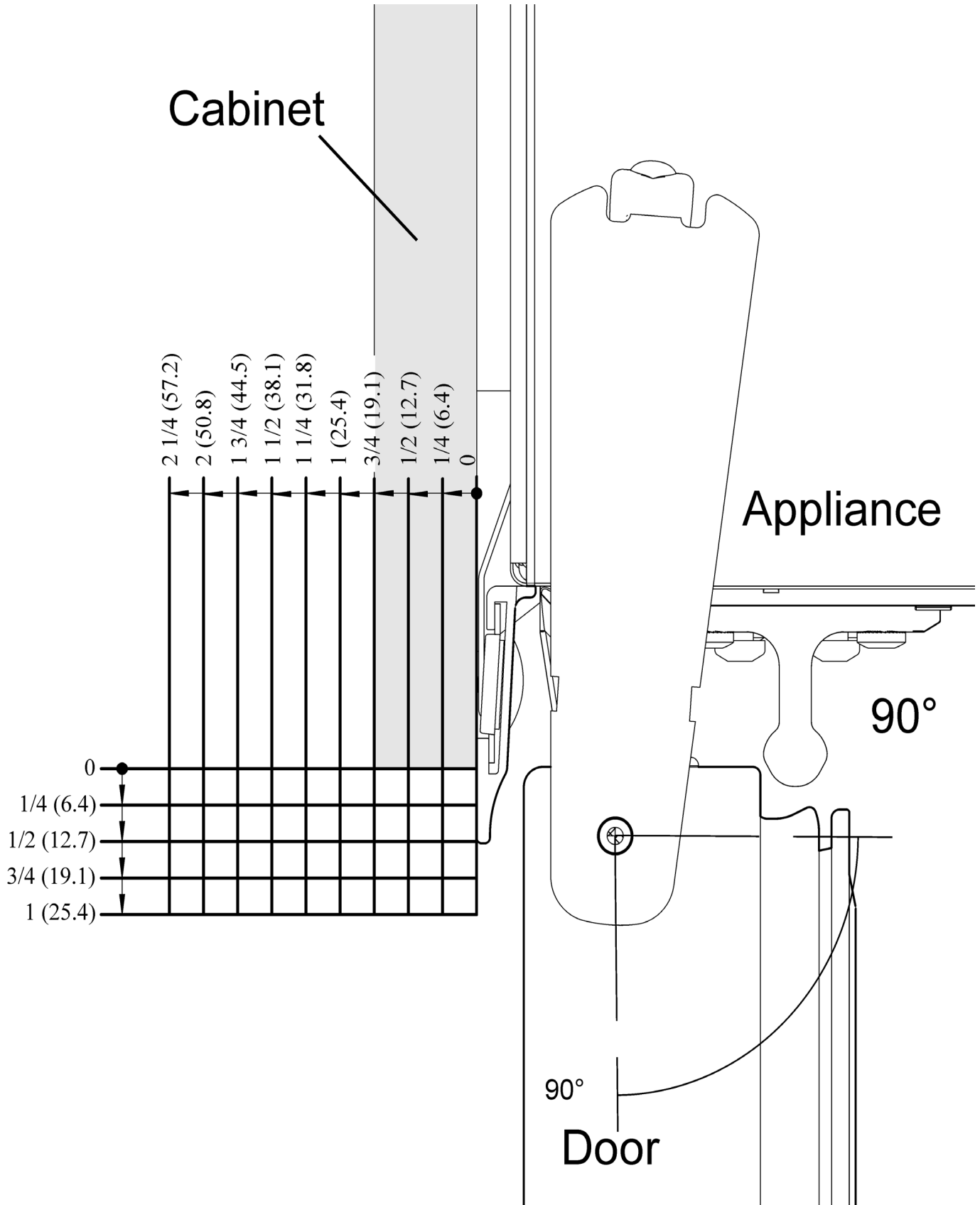
	9900306	Single Installation Set Bottom ventilation grille, Installation parts Standard installation accessory
	9900302	Top Ventilation Grille Optional installation accessory

For Side-by-Side 48" Unit Installation SBS 241, 243, 246

	9900308	Side-by-Side Kit SBS 240 Standard installation accessory
	9900304	Top Ventilation Grille SBS 80"
	9900344	Top Ventilation Grille SBS 84" Optional installation accessory

Built In Models 24" and 48"

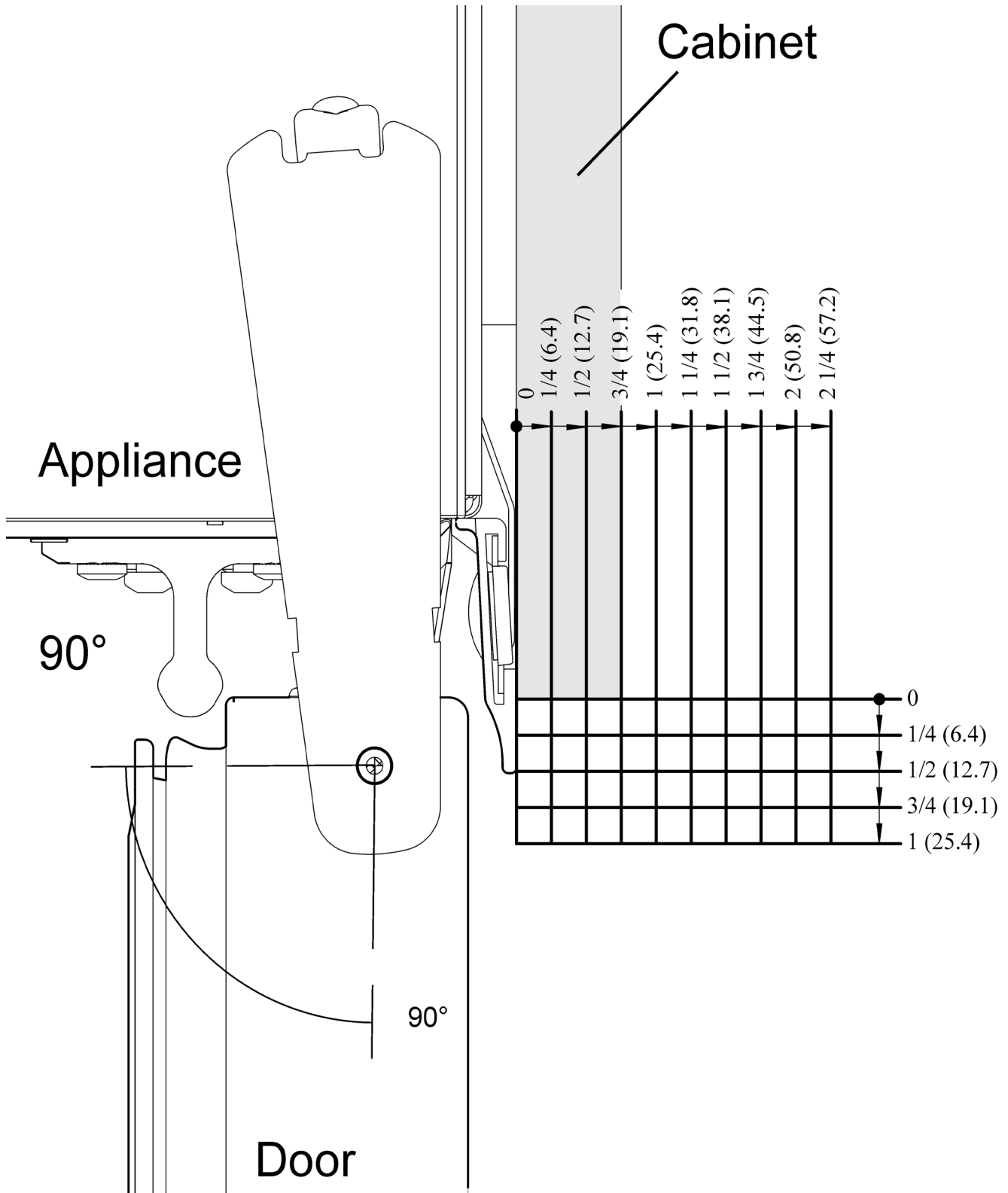
Door Swing Clearance, Stainless steel appliances, Door hinges left 90°



Scale 1:1

Built In Models 24" and 48"

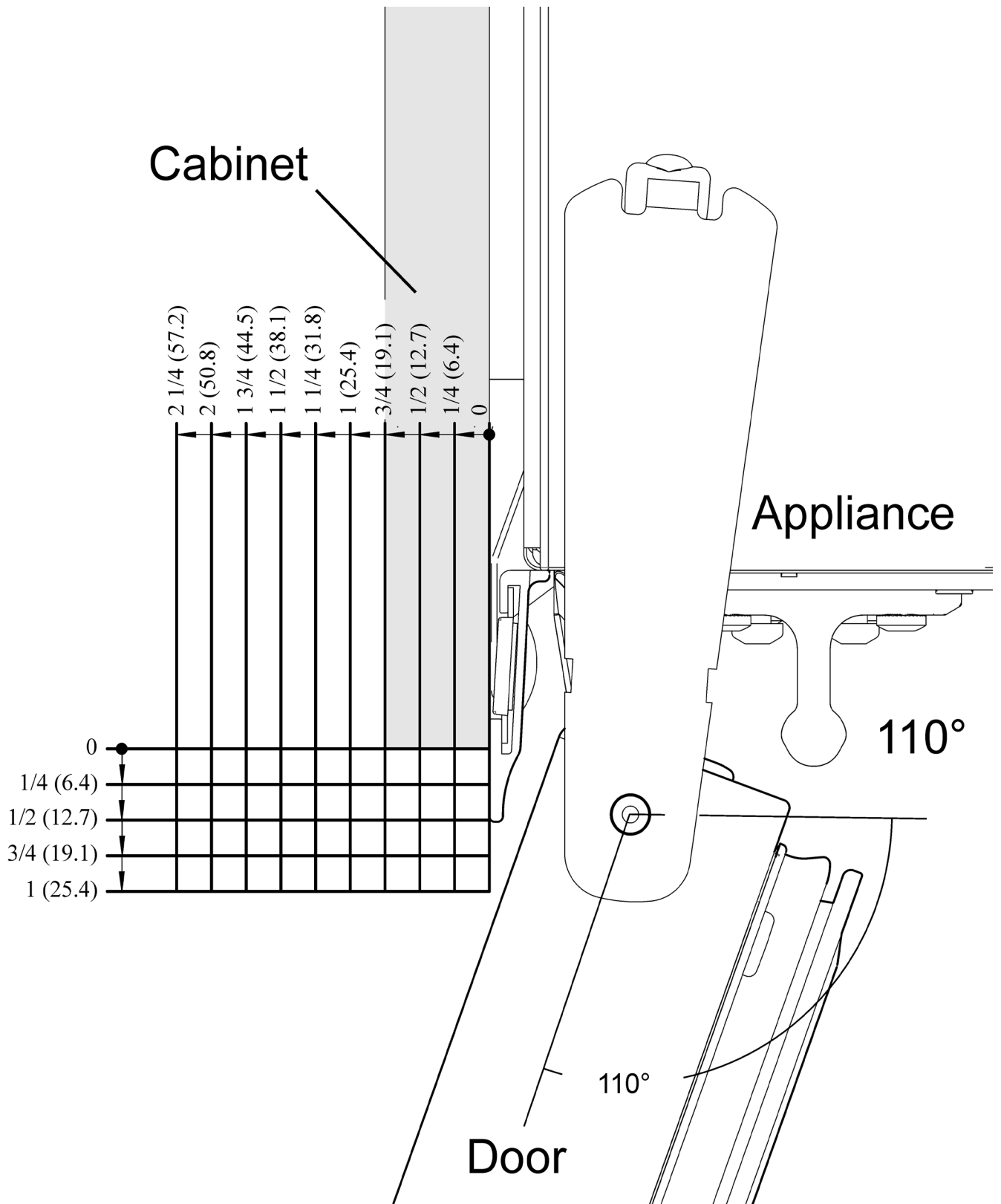
Door Swing Clearance, Stainless steel appliances, Door hinges right 90°



Scale 1:1

Built In Models 24" and 48"

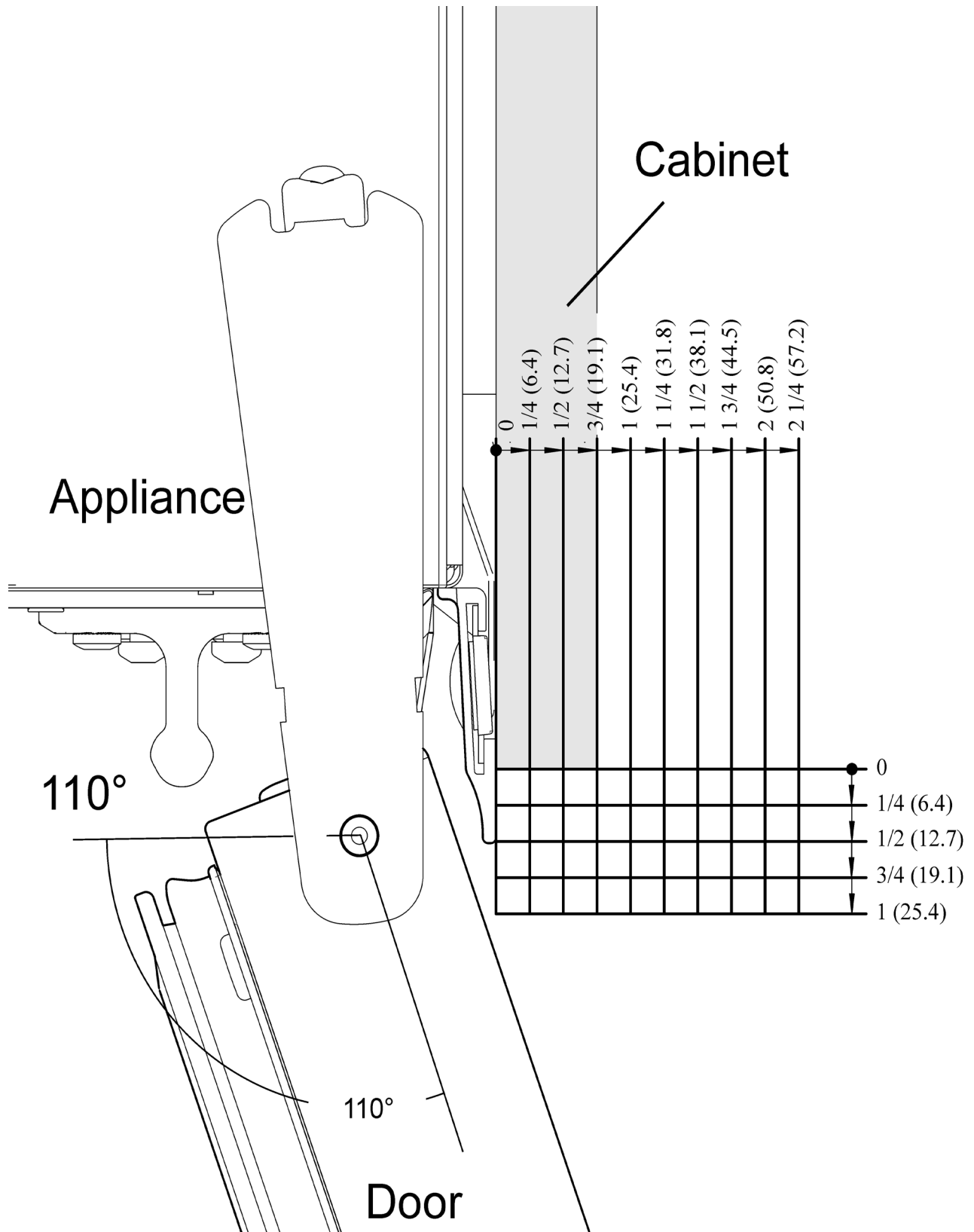
Door Swing Clearance, Stainless steel appliances, Door hinges left 110°



Scale 1:1

Built In Models 24" and 48"

Door Swing Clearance, Stainless steel appliances, Door hinges right 110°



Scale 1:1

LIEBHERR

Design Guide 2013