

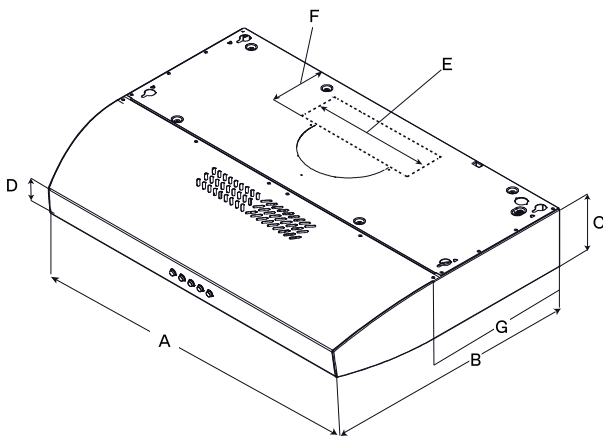
Allasio colors

Undercabinet hood



Learn
more

MEASUREMENTS



	EAL330B1	EAL330W1
A	30" (76.2 cm)	
B	20" (50.8 cm)	
C	4 3/4" (12 cm)	
D	2 1/4" (5.7 cm)	
E	3 1/4" x 10" (8.3 x 25.4 cm)	
F	5 1/8" (13 cm)	
G	12" (30.48 cm)	




DESCRIPTION

The slim Allasio with 4 3/4" height is ideal where under-cabinet space is limited, plus the contemporary styling and gleaming colors will compliment other appliances and most cabinetry. Allasio features a 3-speed, 300 CFM internal blower, which provides sufficient ventilating power for most kitchens.

The attractive Soft-touch, Blue Illuminated Control allows the user to manage easily the blower speeds and lights. Dishwasher-safe anodized aluminum mesh filters are easy to clean and a snap to remove and replace. Available in 36" width and Black & White colors, Allasio is designed for standard ducted installation and can be installed as a recirculating system, using the Recirculating Kit.



FEATURES

-  3x layer mesh
-  Led light
-  Top or Rear outlet



GENERAL PROPERTIES

Width	30"	30"
Model	EAL330B1	EAL330W1
Dimensions	30"W x 20"D x 4 3/4"H	
Blower Type ¹ (Internal)	300 CFM (3-speed)	
Noise (Min-max sones) ¹	1.7-5.0 Sones	
Electrical	120V-60Hz, 255W	
Illumination	2 LED, 2.1W, 3000K	
Finish	Black	White
Controls	Soft touch buttons w/blue illumination	
Grease filters	2 Dishwasher-Safe, Anodized aluminum mesh filter	
Installation type	Ducted or recirculating with kit (sold separately)	
Duct transition	3 1/4" x 10" (top or rear), or 7" round (sold separately)	

KITS

Recirculating kit	KIT02178 (contains 2 carbon filters & clips)
Upgrade filter	GRI0131086A (contains 1 baffle slot filter)
Backdraft damper	KIT02723 (no return valve 7" round)
Duct transition	KIT02722 (7" round)

WARRANTY:² Two (2) Years Parts & In-Home Labor. Earn an additional One (1) Year of Parts & In-Home Labor by registering on elica.com



The product images shown are for illustration purposes only and may not be an exact representation of the product.

¹ CFM and Noise data indicate the performance of the hood blower tested according to international standards. For AHAM Certified Ratings, established in accordance with California Title 24 Standardized test procedure, please refer to AHAM Certified Product Directory. Electric Ratings are declared according to UL.

² For valid warranty extension, register within 3 months from purchase. For USA & Canada Users Only.