

EN Instruction on mounting and use
FR Prescriptions de montage et mode d'emploi
ES Montaje y modo de empleo

**EHK636SS - EHK613SS - EHK624SS
EHK636BL - EHK636WH - EHK648SS**

**READ AND SAVE THESE INSTRUCTIONS
LISEZ CES INSTRUCTIONS ET CONSERVEZ-LES
LEA Y GUARDE ESTAS INSTRUCCIONES**

**THIS MANUAL IS FOR USE ONLY IN USA AND CANADA
CE MANUEL EST UNIQUEMENT VALABLE AUX USA ET AU CANADA
ESTE MANUAL ES PARA USO EXCLUSIVO EN EE.UU. Y CANADÁ**

elica®

1. SAFETY INFORMATION

IMPORTANT SAFETY INSTRUCTION

READ AND SAVE THESE INSTRUCTIONS

APPROVED FOR RESIDENTIAL APPLIANCES
FOR RESIDENTIAL USE ONLY
READ AND SAVE THESE INSTRUCTIONS

PLEASE READ ENTIRE INSTRUCTIONS BEFORE
PROCEEDING.

INSTALLATION MUST COMPLY WITH ALL LOCAL
CODES.

IMPORTANT: Save these Instructions for the Local
Electrical Inspector's use.

INSTALLER: Please leave these Instructions with this
unit for the owner.

OWNER: Please retain these instructions for future
reference.

Safety Warning: Turn off power circuit at service panel
and lock out panel, before wiring this appliance.

Requirement: 120V, 60 Hz, 15 or 20 A Branch Circuit

Removing the packaging

CAUTION!

Remove carton carefully, Wear gloves to protect
against sharp edges.

WARNING!

Remove the protective film covering the product before
putting into operation.

NOM



Range Hood: EHK636SS - EHK613SS - EHK624SS -
EHK636BL - EHK636WH - EHK648SS

Rated Voltage: 120 V~

Frequency: 60 Hz

Power consumption: 460 W

Current consumption: -

Maximum lamp power: 1x 7 W LED

Number: 1 piece.

Made in Italy

Manufactured by: Elica SPA

Imported by : ELICAMEX S.A. de C.V.

Address: Av. La Noria (Prolongación) No. 102, Col.
Ampliación Parque Industrial Querétaro, Santa Rosa
Jáuregui, C.P. 76215, Querétaro, México. R.F.C.

ELI060102RK8

Tel. 81 8625 5000 - Cel. 55 3955 8770

* : the items marked with this symbol are optional
accessories supplied only with some models or items that
cannot be supplied but can be purchased.

Important Safety Notice

CAUTION

**FOR GENERAL VENTILATING USE ONLY. DO NOT
USE TO EXHAUST HAZARDOUS OR EXPLOSIVE
MATERIALS OR VAPOURS.**

WARNING

**TO REDUCE THE RISK OF FIRE, ELECTRIC SHOCK,
OR INJURY TO PERSONS, OBSERVE THE
FOLLOWING:**

A. Use this unit only in the manner intended by the
manufacturer. If you have questions, contact the
manufacturer.

B. Before servicing or cleaning the unit, switch power off at
service panel and lock service panel disconnecting means
to prevent power from being switched on accidentally.
When the service disconnecting means cannot be locked,
securely fasten a prominent warning device, such as a tag,
to the service panel.

WARNING

**TO REDUCE THE RISK OF FIRE, ELECTRIC SHOCK,
OR INJURY TO PERSONS, OBSERVE THE
FOLLOWING:**

A. Installation Work and Electrical Wiring Must Be Done By
Qualified Person(s) In Accordance With All Applicable
Codes & Standards, Including Fire-rated Construction.

B. Sufficient air is needed for proper combustion and
exhausting of gases through the flue (Chimney) of fuel
burning equipment to prevent back-drafting. Follow the
heating equipment manufacturers guideline and safety
standards such as those published by the National Fire
Protection Association (NFPA), the American Society for
Heating, Refrigeration and Air Conditioning Engineers
(ASHRAE), and the local code authorities.

C. When cutting or drilling into wall or ceiling, do not
damage electrical wiring and other hidden utilities.

D. Ducted fans used to exhaust contaminants must always
be vented to the outdoors.

WARNING

**TO REDUCE THE RISK OF FIRE, USE ONLY METAL
DUCT WORK.**

Install this hood in accordance with all requirements specified.

WARNING

To Reduce The Risk Of Fire Or Electric Shock, Do Not Use This Hood With Any External Solid State Speed Control Device.

WARNING

TO REDUCE THE RISK OF A RANGE TOP GREASE FIRE.

- a) Never leave surface units unattended at high settings. Boilovers cause smoking and greasy spillovers that may ignite. Heat oils slowly on low or medium settings.
- b) Clean ventilating fans frequently. Grease should not be allowed to accumulate on fan or filter.
- c) Use proper pan size. Always use cookware appropriate for the size of the surface element.

WARNING

TO REDUCE THE RISK OF INJURY TO PERSONS, IN THE EVENT OF A RANGE TOP GREASE FIRE, OBSERVE THE FOLLOWING:

- a) SMOTHER FLAMES with a close-fitting lid, cookie sheet, or other metal tray, then turn off the gas burner or the electric element. BE CAREFUL TO PREVENT BURNS. If the flames do not go out immediately, EVACUATE AND CALL THE FIRE DEPARTMENT.
 - b) NEVER PICK UP A FLAMING PAN - you may be burned.
 - c) DO NOT USE WATER, including wet dishcloths or towels - a violent steam explosion will result.
 - d) Use an extinguisher **ONLY** if:
 - 1) You know you have a class ABC extinguisher, and you already know how to operate it.
 - 2) The fire is small and contained in the area where it started.
 - 3) The fire department is being called.
 - 4) You can fight the fire with your back to an exit.
- Based on "Kitchen Firesafety Tips" published by NFPA.

WARNING

TO REDUCE THE RISK OF FIRE, ELECTRIC SHOCK OR INJURY TO PERSONS, DO NOT USE REPLACEMENT PARTS THAT HAVE NOT BEEN RECOMMENDED BY THE MANUFACTURER (E.G. PARTS MADE AT HOME USING A 3D PRINTER).

OPERATION

Always leave safety grills and filters in place. Without these components, operating blowers could catch onto hair, fingers and loose clothing.

The manufacturer declines all responsibility in the event of failure to observe the instructions given here for installation, maintenance and suitable use of the product. The

manufacturer further declines all responsibility for injury due to negligence and the warranty of the unit automatically expires due to improper maintenance.

- This device is not intended for use by persons (including children) whose physical, sensory or mental abilities are different or reduced, or who lack experience or knowledge unless such persons receive supervision or training for the operation of the device by a person responsible for your safety.
- Children should be supervised to ensure they do not use the devices as a toy.
- Do not flame food under the kitchen hood.
- There must be adequate ventilation in the room, when the range hood is used at the same time as appliances that consume gas or other fuels. (DOES NOT APPLY FOR RANGEHOODS THAT ARE ONLY RECYCLING MODE).
- There is a risk of fire, if the cleaning is not carried out in accordance with the instructions.
- The discharge air must not be sent through a duct that is used to evacuate fumes from appliances that consume gas or other fuels. (DOES NOT APPLY FOR RANGEHOODS THAT ARE ONLY RECYCLING MODE).
- Must be complied with regulations relate to the evaluation of the air discharge.
- In the event that your power cord is damaged in part or in full, do not try to repair it by contacting the service center marked on your warranty or by a specialist technician for replacement.
- **WARNING:** Incorrect placement of screws or fasteners or mounting devices according to these instructions may result in electrical hazards.
- **CAUTION:** Accessible parts of the hood may become hot when used with cooking appliances.

Electrical & Installation Requirements

Electrical Requirements

IMPORTANT

Observe all governing codes and ordinances.

It is the customer's responsibility:

To contact a qualified electrical installer.

To assure that the electrical installation is adequate and in conformance with National Electrical Code, ANSI/NFPA 70 — latest edition*, or CSA Standards C22.1-94, Canadian Electrical Code, Part 1 and C22.2 No.0-M91 - latest edition** and all local codes and ordinances.

If codes permit and a separate ground wire is used, it is recommended that a qualified electrician determine that the ground path is adequate.

GROUNDING INSTRUCTIONS

This appliance must be grounded. In the event of an electrical short circuit, grounding reduces the risk of electric shock by providing an escape wire for the electric current.

WARNING – Improper grounding can result in a risk of electric shock.

Consult a qualified electrician if the grounding instructions are not completely understood, or if doubt exists as to whether the appliance is properly grounded.

Do not ground to a gas pipe.

Check with a qualified electrician if you are not sure range hood is properly grounded.

Do not have a fuse in the neutral or ground circuit.

This appliance is equipped with a cord having a grounding wire with a grounding plug. The plug must be plugged into an outlet that is properly installed and grounded.

Do not use an extension cord. If the power supply cord is too short, have a qualified electrician install an outlet near the appliance.

Do not operate any fan with a damaged cord or plug.

Discard fan or return to an authorized service facility for examination and/or repair.

Do not run cord under carpeting. Do not cover cord with throw rugs, runners, or similar coverings. Do not route cord under furniture or appliances. Arrange cord away from traffic area and where it will not be tripped over.

IMPORTANT

Save Installation Instructions for electrical inspector's use.

The range hood should be connected directly to the fused disconnect (Or circuit breaker).

Wire sizes must conform to the requirements of the National Electrical Code ANSI/NFPA 70 — latest edition*, or CSA Standards C22.1-94, Canadian Electrical Code Part 1 and C22.2 No. 0-M91 - latest edition** and all local codes and ordinances.

A U.L.- or C.S.A.-listed conduit connector must be provided at each end of the power supply conduit (at the appliance and at the junction box).

Copies of the standards listed may be obtained from:

* National Fire Protection Association Batterymarch Park Quincy, Massachusetts 02269

** CSA International 8501 East Pleasant Valley Road Cleveland, Ohio 44131-5575

The product is meant for connecting directly to the mains supply, therefore apply a regulation bipolar switch that ensures complete disconnection from the mains in the conditions of category III over-tension, conforming to the installation rules.

Before installing the hood

1. For the most efficient air flow exhaust, use a straight run or as few elbows as possible.
CAUTION: Vent unit to outside of building, only.
2. At least two people are necessary for installation. Wear gloves to protect against sharp edges.
3. Fittings material is provided to secure the hood to most types of walls/ceilings, consult a Qualified Installer, check if they perfectly fit with your cabinet/wall.
4. Do not use flex ducting.
5. COLD WEATHER installations should have an additional backdraft damper installed to minimize backward cold air flow and a non-metallic thermal break to minimize conduction of outside temperatures as part of the ductwork. The damper should be on the cold air side of the thermal break. The break should be as close as possible to where the ducting enters the heated portion of the house.
6. Make up air: Local building codes may require the use of Make-Up Air Systems when using Ducted Ventilation Systems greater than specified CFM of air movement. The specified CFM varies from locale to locale. Consult your HVAC professional for specific requirements in your area.

All fastener location must span the studs otherwise proceed as follows:

Cutout drywall along marked lines. Install wood blocking between studs and make sure it is flush with existing stud front. Make sure all mounting screws will anchor to added studs. Replace drywall and refinish.

When used in recirculation mode, To Reduce the Risk of Fire and Shock use only conversion kit Model: Carbon Filter

2. USE

The extraction system can be used in the duct-out version with external evacuation, or in the recirculating version with filtering and internal recirculation.

• Duct-Out Version:

In this case the fumes are conveyed outside of the building by means of a special pipe connected with the connection ring located on top of the hood.

CAUTION!

The exhausting pipe is not supplied and must be purchased apart. Diameter of the exhausting pipe must be equal to that of the connection ring.

Vapours are evacuated outside through an exhaust pipe attached to the connecting flange.

CAUTION! If the product features one or more carbon filters, they must be removed.

Connect the product to wall-mounted exhaust pipes and holes with a diameter equivalent to the air outlet (connecting flange).

The use of pipes and outlet holes in the wall with a smaller diameter will reduce the extraction performance and drastically increase the noise level.

All responsibility in this regard is therefore denied.

- Use a ducting pipe with the shortest length necessary.
- Use a ducting pipe with the least number of bends possible (maximum bend angle: 90°).
- Avoid drastic changes in the ducting pipe diameter.

Recirculating Version:

The suctioned air will be degreased and deodorised before it is sent back into the room. To use the product in this version, it is necessary to install an additional activated carbon filter system.

3. INSTALLATION

Specialised personnel must carry out both the electrical and the mechanical installation.

Do not cut a joist or stud unless absolutely necessary. If a joist or stud must be cut, then a supporting frame must be constructed.

Fittings material is provided to secure the hood to most types of walls/ceilings. However, a qualified technician must verify suitability of the materials in accordance with the type of wall/ceiling.

CAUTION: The means of fixing supplied with the hood, are exclusively suitable for fixing on concrete or brick ceiling.

Before making cutouts, make sure there is proper clearance within the ceiling or wall for exhaust vent. Hood installation height above cooktop is the users preference.

CAUTION: FOR GAS RANGES INSTALLATION: MOUNT THIS HOOD SO THAT THE BOTTOM EDGE IS AT 30" (76,2 CM) ABOVE THE COOKING SURFACE.

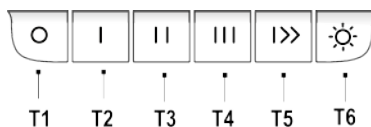
FOR ELECTRIC RANGES INSTALLATION: MOUNT THIS HOOD SO THAT THE BOTTOM EDGE IS NOT LESS THAN 30" (76,2 CM) AND NO MORE THAN 30" (76,2 CM) ABOVE THE COOKING SURFACE. HOUSEHOLD USE. PLEASE, READ INSTALLATION MANUAL FOR SPECIFIC APPLICATION.

If the instructions for installation for the gas hob specify a greater distance, this must be adhered to.

Check your ceiling height and the hood height maximum before you select your hood.

Consult last pages of this manual for installation instruction and electrical connection steps.

4. OPERATION



T1= Power key Press to switch on the hood and allow for the speed to be selected; if pressed when the motor is on, the motor will switch off.

Note: if no function is selected after 10 seconds the hood switches off.

T2= Speed selection key 1, press to activate **low** speed (suction power).

T3= Speed selection key 2, press to activate **medium** speed (suction power).

T4= Speed selection key 3, press to activate **high** speed (suction power).

T5= Speed selection key 4 and 5

1st press: to activate speed 4.

2nd press: to activate speed 5.

Note: at speed 5, the key flashes.

Note: Press this key several times to switch alternately between speed 4 and speed 5.

T6= Light ON/OFF key Press to switch the hob lighting on or off.

In selected models only:

Intensity regulation: With the light on, press and hold to adjust the intensity of the light.

Tone regulation: With the light on, press and hold keys **T6** and **T5** to adjust the light tone.

Filter Saturation indicator lights

At regular intervals, the hood signals the need to perform maintenance on the filters.

Keys **T6** and **T5** on with light flashing very slowly: the grease filter requires maintenance.

Keys **T6** and **T5** on with light flashing quickly: the odour filter requires maintenance.

Note: The filter saturation warning signal is visible within the first 10 seconds after the hood is switched on.

Reset filter saturation indicator:

Press and hold keys **T6** and **T5**, the keys will flash quickly to confirm the reset.

Activation of filter saturation indicators:

Note: this operation must be performed with the hood off.

- Grease filter

Press and hold keys **T6** and **T5** to activate the function, the keys will light up and the light will flash very slowly, indicating that the odour filter indicator can be activated

Note: Press keys **T2** and **T1** to activate or deactivate.

- Odour filter

Press and hold keys **T6** and **T5** to activate the function, the keys will light up and the light will flash quickly, indicating that the odour filter indicator can be activated (normally deactivated)

Note: Press keys **T2** and **T1** to activate or deactivate.

5. MAINTENANCE

User Servicing and Maintenance Instructions

- **Cleaning:** For cleaning, simply use a cloth moistened with neutral liquid detergents. Do not use cleaning tools or instruments.

- Avoid the use of abrasive products. **DO NOT USE ALCOHOL!**

• Washable activated carbon filter (for filter version only):

The carbon filter can be washed every two months (or when indicated by the filter saturation system - if included in your model). As indicated in the drawing section: remove the grease filter, remove the carbon filter and wash using hot water and suitable detergents or in a dishwasher at 65°C (if washing in a dishwasher, carry out the complete washing cycle without dishes inside). Remove any excess water without damaging the filter, then place it in the oven for 10 minutes at 100°C to dry it out completely. Put the anti-grease filters back in place.

Replace the foam layer every 3 years and each time the cloth appears damaged.

• Illumination

- The lighting system is based on LED technology. LEDs provide optimal illumination, last up to 10 times longer than conventional lamps and save 90% of electricity.

- **Lighting system** : The lighting system cannot be replaced by the user, contact Customer Service in case of malfunction.

Warranty

ELICA North America TWO-YEARS LIMITED WARRANTY

ELICAMEX S.A. de C.V. Dirección: Av. La Noria No. 102 int. S/N, Col. Parque Industrial Querétaro Del. Santiago de Querétaro, C.P. 76215 Querétaro, R.F.C. ELI060102RK8

TO OBTAIN SERVICE UNDER WARRANTY

Owner must present proof of original purchase date. Please keep a copy of your dated proof of purchase (sales slip) in order to obtain service under warranty.

PARTS AND SERVICE WARRANTY

For the period of two (2) years from the date of the original purchase, Elica will provide free of charge, non consumable parts or components that failed due to manufacturing defects. During these two (2) years limited warranty, Elica will also provide free of charge, all labor and in-home service to replace any defective parts.

WHAT IS NOT COVERED

- Damage or failure to the product caused by accident or act of God, such as, flood, fire or earthquake.
- Damage or failure caused by modification of the product or use of non-genuine parts.
- Damage or failure to the product caused during delivery, handling or installation.
- Damage or failure to the product caused by operator abuse.
- Damage or failure to the product caused by dwelling fuse replacement or resetting of circuit breakers.
- Damage or failure caused by use of product in a commercial application.
- Service trips to dwelling to provide use or installation guidance.
- Light bulbs, metal or carbon filters and any other consumable part.
- Normal wear of finish.
- Wear to finish due to operator abuse, improper maintenance, use of corrosive or abrasive cleaning products/pads and oven cleaner products.

WHO IS COVERED

This warranty is extended to the original purchaser for products purchased for ordinary residential use in North America (Including the United States, Guam, Puerto Rico, US Virgin Islands & Canada).

This warranty is non-transferable and applies only to the original purchaser and does not extend to subsequent owners of the product. This warranty is made expressly in lieu of all other warranties, expressed or implied, including, but not limited to any implied warranty of merchantability or fitness for a particular purpose and all other obligations on the part of Elica North America, provided, however, that if the disclaimer of implied warranties is ineffective under applicable law, the duration of any implied warranty arising by operation of law shall be limited to two (2) years from the date of original purchase at retail or such longer period as may be required by applicable law.

This warranty does not cover any special, incidental and/or consequential damages, nor loss of profits, suffered by the original purchaser, its customers and/or the users of the Products.

WHO TO CONTACT

To obtain service under Warranty or for any Service Related Question:

- Elica North America Authorized Service - (714) 428-0046
- elica@servicepower.com
- *Artexa Mexico S.A. de C.V. / Cañon Grande #7720, Col. La Estanzuela, Monterrey, N.L., 64984, Mexico / telefono 81 8625 5000, whatsapp 55 3955 8770, email servicio@artexa.com*

1. INFORMATIONS SUR LA SÉCURITÉ

CONSIGNES DE SÉCURITÉ IMPORTANTES

VEUILLEZ LIRE ET CONSERVER CES INSTRUCTIONS

APPROUVÉ POUR LES APPAREILS DE TYPE RÉSIDENTIEL
POUR UNE UTILISATION RÉSIDENTIELLE SEULEMENT
LISEZ CES INSTRUCTIONS ET CONSERVEZ-LES

VEUILLEZ LIRE CES INSTRUCTIONS AU COMPLET AVANT DE COMMENCER. L'INSTALLATION DE L'APPAREIL DOIT RESPECTER TOUS LES CODES EN VIGUEUR.

IMPORTANT : Conservez ces instructions afin de pouvoir les remettre à l'inspecteur-électricien de votre région.

INSTALLATEUR : Veuillez laisser ces instructions avec l'appareil pour le propriétaire.

PROPRIÉTAIRE : Veuillez conserver ces instructions pour pouvoir vous y référer plus tard. Avertissement de sécurité : Coupez l'alimentation du circuit dans le panneau électrique et verrouillez le panneau avant de raccorder les fils de cet appareil.

Exigence : Circuit de dérivation de 120V, 60 Hz, 15 ou 20 A.

Enlever l'emballage

ATTENTION!

Enlever le carton avec précaution, porter des gants pour se protéger des parties coupantes.

AVERTISSEMENT!

Enlever le film de protection qui recouvre le produit avant de l'utiliser.



Hotte de cuisinière : EHK636SS - EHK613SS - EHK624SS - EHK636BL - EHK636WH - EHK648SS

Tension nominale: 120 V~

Fréquence: 60 Hz

Puissance: 460 W

Current: -

Puissance maximale de la lampe: LED 1x 7W

Quantité: 1 pièce

Fabriqué en Italie

Produit par: Elica SPA

Importé par: ELICAMEX S.A. de C.V.

Adresse: Av. La Noria (Prolongación) No. 102, Col. Ampliación Parque Industrial Querétaro, Santa Rosa Jáuregui, C.P. 76215, Querétaro, México. R.F.C.

ELI060102RK8

Tel. 81 8625 5000 - Cel. 55 3955 8770

***** : les détails marqués par ce symbole sont des accessoires optionnel fournis uniquement sur certains modèles ou des détails à fourni à la demande.

Avis de Sécurité Important

ATTENTION

UTILISER CET APPAREIL À DES FINS DE VENTILATION GÉNÉRALE SEULEMENT. NE PAS UTILISER CET APPAREIL POUR ÉVACUER DES MATÉRIAUX OU DES VAPEURS DANGEREUX OU EXPLOSIFS.

AVERTISSEMENT

POUR RÉDUIRE LES RISQUES D'INCENDIE, DE CHOC ÉLECTRIQUE ET DE BLESSURE, RESPECTER LES DIRECTIVES SUIVANTES :

A. Utiliser cet appareil uniquement aux fins prévues par le fabricant. Si vous avez des questions à propos de l'appareil, communiquez avec le fabricant.

B. Avant de faire l'entretien de l'appareil ou de le nettoyer, coupez l'alimentation dans le panneau électrique et verrouillez le panneau en bloquant le dispositif permettant d'empêcher d'activer l'alimentation accidentellement. S'il n'est pas possible de verrouiller l'accès au panneau, fixez une étiquette très voyante au panneau électrique.

AVERTISSEMENT

POUR RÉDUIRE LES RISQUES D'INCENDIE, DE CHOC ÉLECTRIQUE ET DE BLESSURE, RESPECTER LES DIRECTIVES SUIVANTES :

- A.** Une personne qualifiée doit effectuer l'installation et le câblage des fils électriques en conformité avec tous les codes et toutes les normes, y compris la cote de résistance au feu.
- B.** Il est important de prévoir suffisamment d'air pour assurer une bonne combustion de l'équipement de chauffe et l'évacuation adéquates des gaz par le conduit de cheminé afin de prévenir les refoulements d'air. Respectez les directives et les normes de sécurité des fabricants de l'équipement de chauffage, comme celles publiées par la National Fire Protection Association (NFPA), la American Society for Heating, Refrigeration and Air Conditioning Engineers (ASHRAE) et le code des autorités de votre région.
- C.** Au moment de couper ou de percer un mur ou un plafond, assurez-vous de ne pas endommager la filerie électrique ou tout autre accès à un service publique.
- D.** Les ventilateurs canalisés utilisés pour l'échappement de contaminants doivent toujours être dotés d'une évacuation vers l'extérieur.

AVERTISSEMENT

POUR RÉDUIRE DES RISQUES D'INCENDIE, UTILISEZ UNIQUEMENT DES CONDUITS EN MÉTAL.

Installez cette hotte en respectant toutes les exigences mentionnées.

AVERTISSEMENT

Pour réduire les risques d'incendie et de choc électrique, n'utilisez pas cette hotte avec un contrôleur de vitesse à semi-conducteurs.

AVERTISSEMENT

POUR RÉDUIRE LES RISQUES D'INCENDIE DE GRAISSE SUR LES CUISINIÈRES.

- a)** Ne laissez jamais la cuisinière sans surveillance lorsqu'elle est réglée à une haute température. Les débordements par bouillonnement causent de la fumée et des débordements de gras qui peuvent s'enflammer. Faites chauffer l'huile lentement, à une température basse ou moyenne.
- b)** Nettoyez les hélices de ventilation fréquemment. Il ne faut pas que la graisse s'accumule sur les filtres ou les hélices.
- c)** Utilisez le bon format de casserole. Utilisez toujours un chaudron de taille approprié à l'élément de la cuisinière.

AVERTISSEMENT

POUR ÉVITER DE BLESSER QUELQU'UN LORS D'UN INCENDIE DE GRAISSE SUR LA CUISINIÈRE, SUIVRE LES CONSEILS SUIVANTS

a) ÉTOUFFER LES FLAMMES avec un couvercle aux dimensions de la taque de cuisson, une tôle à biscuit ou tout autre plateau métallique, puis couper le gaz ou l'alimentation électrique de la cuisinière. **FAIRE ATTENTION A NE PAS SE BRÛLER.** Si les flammes ne s'éteignent pas immédiatement, **QUITTER LA PIÈCE ET APPELER LES POMPIERS.**

b) NE JAMAIS PRENDRE EN MAIN UNE CASSEROLE EN FEU, vous pourriez vous blesser.

c) NE PAS UTILISER D'EAU, y compris les essuies de vaisselle ou les serviettes humides – une violente explosion due à la vapeur formée pourrait survenir.

d) Utiliser un extincteur SEULEMENT si:

1) Vous êtes sûr d'avoir un extincteur de classe ABC que vous savez utiliser.

2) Le feu est petit et confiné à la zone où il s'est formé.

3) Les pompiers ont été appelés.

4) Vous pouvez lutter contre le feu avec une sortie derrière vous.

Basé sur "Kitchen Firesafety Tips" publié par NFPA.

AVERTISSEMENT

AFIN DE RÉDUIRE LE RISQUE D'INCENDIE, D'ELECTROCUTION OU DE DOMMAGES PHYSIQUES, NE PAS UTILISER DE PIÈCES DE RECHANGE NON RECOMMANDÉES PAR LE FABRICANT (PAR EXEMPLE, DES PIÈCES FAÇONNÉES À L'AIDE D'UNE IMPRIMANTE 3D).

MODE OPERATOIRE

Toujours laisser les grilles de sécurité et les filtres à leur place. Sans la présence de ces derniers, les parties aspirantes pourraient attirer les cheveux, les doigts ou les vêtements.

Le fabricant décline toute responsabilité si les informations détaillées dans ce manuel pour l'installation, l'entretien et l'utilisation adéquate du produit ne sont pas observées. Le fabricant décline en outre toute responsabilité pour d'éventuelles blessures dues à des négligences; en outre, la garantie de l'appareil sera annulée suite à des conditions d'entretien inappropriées. Cet appareil est fabriqué pour un usage interne. Ne pas utiliser cet appareil à l'extérieur.

- Cet appareil n'est pas prévu pour l'utilisation par des personnes (y compris les enfants) avec des capacités physiques, sensorielles ou mentales différentes ou réduites, ou qui manquent d'expérience ou de connaissances, à moins que ces personnes ne soient sous la supervision d'une personne responsable de la sécurité ou qu'elles aient reçu une formation sur le fonctionnement de l'appareil.
- Les enfants doivent être surveillés afin de s'assurer qu'ils n'utilisent pas l'appareil comme un jouet.
- Ne pas faire flamber des aliments en dessous de la hotte.

- Il doit y avoir une aération adéquate dans la pièce, lorsque la hotte est utilisée en même temps que des appareils qui consomment du gaz ou d'autres carburants. (PAS APPLICABLE POUR LES HOTTES QUI SONT EN MODE RECYCLAGE).
- Il y a un risque d'incendie si le nettoyage n'est pas effectué conformément aux instructions.
- L'air aspiré ne doit pas être envoyé dans une conduite qui est utilisée pour évacuer les fumées d'appareils qui consomment du gaz ou d'autres carburants. (PAS APPLICABLE POUR LES HOTTES QUI SONT UNIQUEMENT EN MODE RECYCLAGE).
- Doit être conforme aux règlements relatifs à l'évacuation de l'air.
- Dans le cas où le cordon d'alimentation est en partie ou complètement endommagé, ne pas essayer de le réparer par vous-même mais contacter le service d'assistance indiqué sur la carte de garantie ou un technicien spécialisé pour le remplacement.
- **AVERTISSEMENT:** le placement incorrect des vis ou des fixations ou des dispositifs de montage conformément à ces instructions peut entraîner des risques électriques.
- **AVERTISSEMENT:** Lorsque la table de cuisson est en fonctionnement, les parties accessibles de la hotte peuvent devenir très chaudes.

Exigences électriques et exigences d'installation

Exigences électriques

IMPORTANT

Respectez tous les codes et ordonnances en vigueur.

Il incombe au client :

De contacter un installateur électricien qualifié.

De s'assurer que l'installation électrique est adéquate et conforme au Code national de l'électricité, ANSI/NFPA 70 - dernière édition*, ou aux normes CSA C22.1-94, Code canadien de l'électricité, Partie 1 et C22.2 No.0-M91 - dernière édition** et à tous les codes et ordonnances locaux.

Si les codes le permettent et qu'un fil de terre séparé est utilisé, il est recommandé qu'un électricien qualifié détermine que le chemin de terre est adéquat.

INSTRUCTIONS POUR LE RACCORDEMENT A LA TERRE

Cet appareil doit être raccordé à la terre. En cas de court-circuit, la mise à la terre diminue le risque de choc électrique en fournissant un fil de sortie pour le courant électrique.

AVERTISSEMENT – Une mise à la terre non correcte peut entraîner un choc électrique.

Consulter un électricien qualifié si vous ne comprenez pas complètement les instructions de raccordement, ou en cas de doute sur la mise à la terre réelle de l'appareil.

Ne mettez pas à la terre un tuyau de gaz.

Demandez conseil à un électricien qualifié si vous n'êtes pas sûr que la hotte est correctement mise à la terre.

N'insérez pas de fusible dans le circuit neutre ou de mise à la terre.

Cet appareil est doté d'un câble de terre avec une attache de mise à la terre. La fiche doit être branchée à une prise conforme et bien raccordée à la terre.

Ne pas utiliser de rallonge. Si le câble d'alimentation est trop court, faire installer une prise à proximité par un électricien qualifié.

Ne jamais faire fonctionner le ventilateur avec un fil ou une fiche endommagée. Jeter le ventilateur ou le rapporter au service après-vente pour l'examiner et/ou le faire réparer.

Ne pas faire passer les fils en-dessous des tapis.

Ne pas couvrir les fils avec des tapis, des chemins de couloir, ou des choses similaires. Ne pas faire passer le fil en-dessous de meubles ou d'appareils. Mettre le fil en dehors des zones de passage et où l'on ne peut pas accrocher le fil.

IMPORTANT

Conservez les instructions d'installation à l'usage de l'inspecteur en électricité.

Il faut raccorder la hotte directement à une boîte à fusible ou à un disjoncteur.

La taille des fils doit être conforme aux exigences du National Electrical Code ANSI/NFPA 70 - dernière édition*, ou aux normes CSA C22.1-94, Code canadien de l'électricité Partie 1 et C22.2 No. 0-M91 - dernière édition** et à tous les codes et ordonnances locaux. Un connecteur de conduit répertorié U.L. ou C.S.A. doit être prévu à chaque extrémité du conduit d'alimentation électrique (à l'appareil et à la boîte de jonction).

Vous pouvez obtenir des copies des normes mentionnées auprès de :

* National Fire Protection Association Batterymarch Park Quincy, Massachusetts 02269

** CSA International 8501 East Pleasant Valley Road Cleveland, Ohio 44131-5575

Ce produit a été conçu pour être branché directement à l'alimentation secteur, par conséquent, appliquer un interrupteur bipolaire de réglage garantissant la déconnexion complète du secteur en cas de surtension de catégorie III, conformément aux normes d'installation.

Avant d'installer la hotte

1. Pour assurer la ventilation la plus efficace possible, installez la conduite en ligne droite ou avec le moins de coudes possibles. **ATTENTION** : La sortie de la conduite de ventilation doit donner sur l'extérieur.
2. Deux personnes sont nécessaires pour effectuer l'installation. Porter des gants pour se protéger des bords coupants.
3. La quincaillerie fournie permet de fixer la hotte à la plupart des murs et des plafonds; consultez un installateur qualifié pour vous assurer que la quincaillerie fournie est adaptée à votre type de mur ou d'armoire.
4. N'utilisez pas de conduit flexible.
5. Dans le cas des endroits sujets aux **TEMPÉRATURES FROIDES**, il faut installer un clapet de contre-tirage supplémentaire afin de minimiser le retour d'air froid et un isolant thermique non métallique afin de minimiser la conduction de la température extérieure dans le conduit. Il faut placer le clapet du côté de l'air froid de l'isolant thermique. L'isolant doit être placé le plus près possible de l'endroit où le conduit entre dans la partie chauffée de la maison.
6. Air d'appoint : Le code du bâtiment de votre région peut exiger l'utilisation d'un système d'air d'appoint si vous utilisez un système de ventilation à conduit dont le mouvement d'air dépasse un certain nombre de CFM. Le nombre de pi³/min varie d'une région à l'autre. Consultez un professionnel de CVC pour connaître les exigences précises de votre région.

Les marques d'ouverture de fixation doivent toutes se trouver entre deux montants, sinon procédez de la façon suivante :

Coupez la cloison sèche en suivant les lignes marquées. Installez perpendiculairement entre deux montants une pièce de bois pour qu'elle soit alignée avec les montants existants. Assurez-vous que les vis de fixation s'enfonceront dans ces nouveaux montants. Remplacez la cloison sèche et refaites le fini de la surface.

Lorsqu'il est utilisé en mode de recirculation, Pour Réduire Les Risques d'Incendie Et De Choc utiliser seulement kits de conversion Modèle: Filtre de carbone.

2. UTILISATION

Le système d'extraction peut être utilisé en version aspirante à évacuation externe ou filtrante à recyclage interne.

● Version Aspirante :

Les vapeurs sont évacuées vers l'extérieur à travers un conduit d'évacuation fixé à la bride de raccord qui se trouve au-dessus de la hotte.

ATTENTION!

Le tuyau d'évacuation n'est pas fourni et doit être acheté à part. Le diamètre du tuyau d'évacuation doit être égal à celui de la bride de raccord.

Les vapeurs sont évacuées vers l'extérieur par un tuyau d'échappement fixé sur la bride de raccord.

ATTENTION ! Si le produit est équipé d'un ou de plusieurs filtres à charbon, ceux-ci doivent être retirés.

Raccorder le produit aux tuyaux et aux orifices d'évacuation murale du même diamètre que celui de la sortie d'air (bride de raccord).

L'utilisation des tuyaux et des orifices d'évacuation d'un diamètre inférieur diminuera l'efficacité de l'extraction et augmentera considérablement le bruit.

Nous déclinons, dans ce cas, toute responsabilité.

- La longueur du conduit doit être celle strictement indispensable.
- Utiliser un conduit avec le moins de coudes possible (angle maximal du coude : 90°).
- Éviter de changer drastiquement la section du conduit.

● Version Filtrante :

L'air aspiré sera dégraissé et désodorisé avant d'être renvoyé dans la pièce. Pour utiliser le produit dans cette version, il est nécessaire d'installer un système supplémentaire de filtre à charbon actif.

3. INSTALLATION

L'installation, aussi bien électrique que mécanique doit être effectuée par du personnel qualifié.

Ne coupez pas une solive ou un montant à moins qu'il soit absolument nécessaire de le faire. Si vous devez couper une solive ou un montant, vous devez construire un cadre de soutien.

La quincaillerie fournie permet de fixer la hotte à la plupart des murs et des plafonds.

Vous devez cependant demander à un technicien qualifié de vérifier la solidité des matériaux selon le type de mur ou de plafond.

La quincaillerie fournie permet de fixer la hotte à la plupart des murs et des plafonds.

Vous devez cependant demander à un technicien qualifié de vérifier la solidité des matériaux selon le type de mur ou de plafond.

Avant de couper, assurez-vous qu'il y a un dégagement suffisant dans le plafond ou le mur pour passer la conduite de sortie.

Vous pouvez déterminer vous-même la hauteur à laquelle vous installez la hotte au dessus de la cuisinière.

ATTENTION: POUR L'INSTALLATION DES CUISINIÈRES À GAZ: METTEZ LA HOTTE AFIN D'AVOIR ENTRE LE BORD INFÉRIEUR DE LA HOTTE ET LE PLAN DE CUISSON UNE DISTANCE DE 30" (76,2 CM).

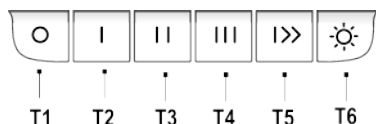
POUR DES CUISINIÈRES ÉLECTRIQUES: LA DISTANCE ENTRE LE BORD INFÉRIEUR DE LA HOTTE ET LE PLAN DE CUISSON NE DOÏT PAS ÊTRE INFÉRIEURE DE 30" (76,2 CM) ET SUPÉRIEURE DE 30" (76,2 CM). EMPLOI DOMESTIQUE. LIRE ATTENTIVEMENT LE LIVRET INSTRUCTIONS POUR DES APPLICATIONS SPÉCIFIQUES.

Si les instructions d'installation du dispositif de cuisson au gaz spécifient une plus grande distance, il faut en tenir compte.

Vérifiez donc la hauteur de votre plafond et la hauteur maximum de la hotte avant de choisir votre modèle de hotte.

Reportez-vous aux dernières pages de ce manuel pour les instructions d'installation et le raccordement électrique.

4. FONCTIONNEMENT



T1= Touche d'alimentation Appuyez pour allumer le capot et permettre de sélectionner la vitesse ; si vous appuyez dessus lorsque le moteur est allumé, le moteur s'éteint.

Remarque : si aucune fonction n'est sélectionnée après 10 secondes, la hotte s'éteint.

T2 = touche de sélection de vitesse 1, appuyez pour activer la **basse** vitesse (puissance d'aspiration).

T3 = touche de sélection de vitesse 2, appuyez pour activer la vitesse **moyenne** (puissance d'aspiration).

T4 = touche de sélection de vitesse 3, appuyez pour activer la vitesse **élevée** (puissance d'aspiration).

T5 = touche de sélection de vitesse 4 et 5

1ère pression : pour activer la vitesse 4.

2ème pression : pour activer la vitesse 5.

Remarque : à la vitesse 5, la touche clignote.

Remarque : Appuyez plusieurs fois sur cette touche pour passer alternativement de la vitesse 4 à la vitesse 5.

T6= Touche MARCHÉ/ARRÊT de la lumière Appuyez pour allumer ou éteindre la table de cuisson.

Dans les modèles sélectionnés uniquement :

Réglage de l'intensité : Avec la lumière allumée, appuyez et maintenez pour ajuster l'intensité de la lumière.

Réglage de la tonalité : Avec la lumière allumée, appuyez et maintenez enfoncées les touches **T6** et **T5** pour régler la tonalité lumineuse.

Témoins lumineux de saturation du filtre

À intervalles réguliers, la hotte signale la nécessité d'effectuer l'entretien des filtres.

Touches **T6** et **T5** allumées avec lumière clignotante très lentement : le filtre à graisse nécessite un entretien.

Clés **T6** et **T5** allumées avec clignotement rapide : le filtre à odeurs nécessite un entretien.

Remarque : Le signal d'avertissement de saturation du filtre est visible dans les 10 premières secondes après la mise sous tension de la hotte.

Réinitialiser l'indicateur de saturation du filtre :

Appuyez et maintenez les touches **T6** et **T5**, les touches clignoteront rapidement pour confirmer la réinitialisation.

Activation des indicateurs de saturation du filtre :

Remarque : cette opération doit être effectuée avec le capot éteint.

• **Filtre à graisse**

Appuyez et maintenez enfoncées les touches **T6** et **T5** pour activer la fonction, les touches s'allumeront et la lumière clignotera très lentement, indiquant que l'indicateur de filtre d'odeur peut être activé

Remarque : Appuyez sur les touches **T2** et **T1** pour activer ou désactiver.

• **Filtre à odeurs**

Appuyez et maintenez enfoncées les touches **T6** et **T5** pour activer la fonction, les touches s'allumeront et la lumière clignotera rapidement, indiquant que l'indicateur de filtre d'odeur peut être activé (normalement désactivé)

Remarque : Appuyez sur les touches **T2** et **T1** pour activer ou désactiver.

5. ENTRETIEN

• **Nettoyage** : Pour le nettoyage, utiliser exclusivement un chiffon imbibé de nettoyant liquide neutre. Ne pas utiliser d'ustensiles ni d'instruments de nettoyage.

• Éviter l'usage de produits à base d'agents abrasifs. NE PAS UTILISER D'ALCOOL !

• **✕B Filtre au charbon actif lavable (uniquement pour version filtrante) :**

le filtre à charbon peut être lavé tous les deux mois (ou quand le système d'indication de saturation des filtres - si prévu sur le modèle possédé - indique ce besoin). Comme indiqué dans la section des dessins : enlever les filtres à graisse, enlever le filtre à charbon et laver avec de l'eau chaude et des nettoyeurs adéquats ou au lave-vaisselle à 65°C (en cas de lavage au lave-vaisselle, effectuer le cycle de lavage complet sans vaisselle à l'intérieur). Éliminer l'excès d'eau sans abimer le filtre, puis le placer au four pendant 10 minutes à 100°C pour le sécher définitivement. Remettre les filtres à graisse.

Remplacer le tapis tous les 3 ans et chaque fois qu'il est abimé.

Éclairage du plan de cuisson

- Le système d'éclairage est basé sur la technologie LED. Les LED fournissent un éclairage optimal, durent jusqu'à 10 fois plus longtemps que les ampoules classiques et permettent d'économiser 90 % d'électricité.

- **Système d'Éclairage** : Le système d'éclairage ne peut pas être remplacé par l'utilisateur ; en cas de dysfonctionnement, contacter le service d'assistance.

Garantie

GARANTIE DE DEUX ANS **ELICA North America**

ELICAMEX S.A. de C.V. Dirección: Av. La Noria No. 102 int. S/N, Col. Parque Industrial Querétaro Del. Santiago de Querétaro, C.P. 76215 Querétaro, R.F.C. ELI060102RK8

POUR OBTENIR UN DEPANNAGE SOUS GARANTIE

Le propriétaire doit présenter une preuve de la date d'achat. Garder une copie de votre preuve d'achat datée (ticket de caisse) de façon à pouvoir bénéficier du service après-vente sous garantie.

GARANTIE PIECES DE RECHANGE ET MAIN D'OEUVRE

Pendant une période de deux (2) ans à partir de la date d'achat, Elica s'engage à fournir gratuitement les pièces de rechange

ou les composants autres que les recharges ayant des défauts de fabrication.

Durant cette garantie de deux (2) ans, Elica fournira également gratuitement, toute la main d'oeuvre et le service à domicile

pour remplacer d'éventuelles pièces défectueuses.

CE QUE LA GARANTIE NE COUVRE PAS

- Dégât ou panne du produit causé par un accident ou un cas de force majeure tels que inondation, incendie ou tremblement de terre.
- Dégât ou panne du produit causé par modification du produit ou utilisation de pièces pas d'origine.
- Dégât ou panne du produit causé lors de la livraison, de la manipulation ou de l'installation.
- Dégât ou panne du produit causé par une mauvaise utilisation.
- Dégât ou panne du produit causé par un remplacement des fusibles ou une remise en fonction des disjoncteurs par le propriétaire.
- Dégât ou panne du produit causé par une utilisation du produit pour raison commerciale.
- Déplacement à domicile pour explication d'utilisation ou d'entretien.
- Ampoules, filtres métalliques ou au charbon et toute autre pièce consommable.
- Usure normale.
- Usure due à une mauvaise utilisation du propriétaire, un entretien incorrect, une utilisation de substances nettoyantes corrosives ou abrasives et produits de nettoyage pour four.

QUI EST COUVERT

Cette garantie s'étend à l'acheteur original de produits achetés pour un usage domestique habituel en Amérique du Nord (Y compris Etats Unis, Guam, Porto Rico, les Iles virgins Américaines & le Canada).

Cette garantie n'est pas transférable et vaut uniquement pour l'acheteur original et ne s'étend pas aux propriétaires successifs du produit. Cette garantie vaut expressément en lieu et place de toute autre garantie, expresse ou sous-entendue, mais ne limite pas toute autre garantie sous-entendue de marchandage ou adaptation dans un but particulier et toute autre obligation de la part de Elica North America, étant entendu, cependant, que si la réclamation pour garanties sous-entendues n'est pas applicable aux yeux de la loi en vigueur, la durée de toute garantie sous-entendue émanant de la loi doit être limitée à deux (2) ans à partir de la date d'achat du produit ou à une période plus longue selon ce que dit la loi en vigueur.

Cette garantie ne couvre pas tout dégât particulier, accidentel et/ou consécutif, ni les pertes et profits, à charge du propriétaire, des ses clients et/ou des utilisateurs Des produits.

QUI CONTACTER

Pour obtenir un service après-vente durant la garantie ou pour toute autre question:

- Elica North America Authorized Service - (714) 428-0046
- elica@servicepower.com
- *Artexa Mexico S.A. de C.V. / Cañon Grande #7720, Col. La Estanzuela, Monterrey, N.L., 64984, Mexico / telefono 81 8625 5000, whatsapp 55 3955 8770, email servicio@artexa.com*

1. INFORMACIÓN DE SEGURIDAD

INSTRUCCIONES DE SEGURIDAD IMPORTANTES

LEA Y GUARDE ESTAS INSTRUCCIONES

APROBADO PARA APARATOS DE USO DOMÉSTICO
SÓLO PARA USO DOMÉSTICO
LEA Y GUARDE ESTAS INSTRUCCIONES

ANTES DE CONTINUAR, LEA LAS INSTRUCCIONES POR COMPLETO.

LA INSTALACIÓN DEBE CUMPLIR TODA LA NORMATIVA LOCAL.

IMPORTANTE: guarde estas instrucciones para su uso por parte del inspector de electricidad local.

INSTALADOR: entregue al propietario estas instrucciones junto con la unidad.

PROPIETARIO: conserve estas instrucciones para futuras consultas.

Advertencia de seguridad: antes de realizar el cableado de este aparato, desactive el circuito de energía eléctrica en el panel de servicio y desbloquee el panel.

Requisito: Circuito auxiliar de 120V, 60 Hz, 15 ó 20 A

Quitar el embalaje

¡PRECAUCIÓN!

Quitar el cartón con cuidado, usar guantes para protegerse de los bordes agudos.

¡ADVERTENCIA!

Quitar la película protectora que cubre el producto antes de la puesta en operación.



Campana purificadora: EHK636SS - EHK613SS - EHK624SS - EHK636BL - EHK636WH - EHK648SS

Tensión asignada: 120 V~

Frecuencia: 60 Hz

Consumo de potencia: 460 W

Consumo de corriente: -

Potencia máxima de la lámpara: 1x 7 W LED

Contenido: 1 pieza.

Hecho en Italia

Fabricado por: Elica SPA

Importado por: ELICAMEX S.A. de C.V.

Dirección: Av. La Noria (Prolongación) No. 102, Col. Ampliación Parque Industrial Querétaro, Santa Rosa Jáuregui, C.P. 76215, Querétaro, México. R.F.C.

ELI060102RK8

Tel. 81 8625 5000 - Cel. 55 3955 8770

***** : las piezas marcadas con este símbolo son accesorios opcionales suministrados solo en algunos modelos o piezas no suministrables, pero que pueden comprarse.

⚠ Aviso de seguridad importante

PRECAUCIÓN

SÓLO PARA USO DE VENTILACIÓN GENERAL. NO UTILIZAR PARA EXPULSAR VAPORES O MATERIALES PELIGROSOS O EXPLOSIVOS.

ADVERTENCIA

PARA REDUCIR EL RIESGO DE FUEGO, DESCARGA ELÉCTRICA O LESIONES PERSONALES, RESPETE LO SIGUIENTE:

A. Utilice esta unidad solamente en el modo que indica el fabricante. En caso de duda, póngase en contacto con el fabricante.

B. Antes de reparar o limpiar la unidad, desconecte la alimentación en el panel de servicio y bloquee los medios de desconexión del panel de servicio para evitar la conexión accidental de la alimentación. Si no es posible bloquear los medios de desconexión del panel de servicio, coloque un dispositivo de advertencia que destaque como, por ejemplo, una etiqueta, en el panel de servicio.

ADVERTENCIA

PARA REDUCIR EL RIESGO DE FUEGO, DESCARGA ELÉCTRICA O LESIONES PERSONALES, RESPETE LO SIGUIENTE:

A. La instalación y el cableado eléctrico deben realizarlos personas cualificadas de acuerdo con las normativas y los estándares aplicables, incluida la construcción ignífuga.

B. Es necesaria una ventilación suficiente para la correcta combustión y expulsión de gases por la salida de humos (Chimenea) del equipo de combustión de carburante para evitar el contratiro. Siga las directrices de fabricantes de equipos de calefacción y los estándares de seguridad como los publicados por la National Fire Protection Association (NFPA), American Society for Heating, Refrigeration and Air Conditioning Engineers (ASHRAE) y las normativas locales.

C. Al efectuar orificios en una pared o techo, no dañe el cableado eléctrico y otras instalaciones ocultas.

D. Los ventiladores de conducto utilizados para expulsar contaminantes deben ventilarse siempre al exterior.

ADVERTENCIA

PARA REDUCIR EL RIESGO DE FUEGO, UTILICE SOLAMENTE TUBOS METÁLICOS.

Instale esta campana de acuerdo con los requisitos especificados.

ADVERTENCIA

Para reducir el riesgo de fuego o descarga eléctrica, no utilice esta campana con ningún dispositivo externo en estado sólido para el control de la velocidad.

ADVERTENCIA

PARA REDUCIR EL RIESGO DE INCENDIO OCASIONADO

POR GRASA:

a) No deje nunca ninguna unidad externa desatendida y con valores de fuego altos. La cocción puede causar humo o reboses de grasa que pueden prender fuego. Caliente el aceite a fuego lento o medio.

b) Limpie con frecuencia los ventiladores. No permita que la grasa se acumule en el ventilador o filtro.

c) Utilice un tamaño de sartén adecuado. Utilice siempre piezas de batería de cocina adecuadas al tamaño del elemento de superficie.

ADVERTENCIA

PARA REDUCIR EL RIESGO DE LESIONES PERSONALES, EN CASO DE FUEGO OCASIONADO POR GRASA, TENGA EN CUENTA LO SIGUIENTE:

a) **EXTINGA LAS LLAMAS** con una tapa ajustada, una lámina para hacer galletas u otro tipo de bandeja metálica y apague el quemador de gas o elemento eléctrico.

TENGA CUIDADO PARA EVITAR QUEMADURAS. Si las llamas no se extinguen inmediatamente, **DESALOJE EL LUGAR Y LLAME A LOS BOMBEROS.**

b) **NUNCA TOME UNA SARTÉN EN LLAMAS,** podría sufrir quemaduras.

c) **NO UTILICE AGUA,** incluidas bayetas o toallas húmedas ya que se produciría una violenta explosión de vapor.

d) Utilice un extintor **SÓLO** si:

1) Sabe que dispone de un extintor de la clase ABC y conoce su funcionamiento.

2) El fuego es pequeño y se encuentra en la misma zona donde se inició.

3) Ha llamado a los bomberos.

4) Puede luchar contra el fuego teniendo una salida a su espalda.

Según los "Consejos para la Seguridad Antincendio en Cocina", publicado por NFPA.

ADVERTENCIA

PARA REDUCIR EL RIESGO DE INCENDIO, DESCARGA ELÉCTRICA O LESIONES A LAS PERSONAS, NO UTILICE PIEZAS DE RECAMBIO QUE NO HAYAN SIDO RECOMENDADAS POR EL FABRICANTE (POR EJEMPLO, PIEZAS HECHAS EN CASA UTILIZANDO UNA IMPRESORA 3D).

FUNCIONAMIENTO

Coloque siempre las rejillas y los filtros de seguridad en su lugar correspondiente. Sin estos componentes, los ventiladores en funcionamiento podrían atrapar su pelo, sus dedos o su ropa.

El fabricante declina toda responsabilidad en caso de fallo de cumplimiento de las instrucciones aquí facilitadas para la instalación, el mantenimiento y el uso adecuado del producto. El fabricante declina además toda responsabilidad por daños ocasionados por negligencia y la garantía de la unidad queda cancelada automáticamente como consecuencia de un mantenimiento incorrecto.

- Este aparato no se destina para utilizarse por personas (incluyendo niños) cuyas capacidades físicas, sensoriales o mentales sean diferentes o estén reducidas, o carezcan de experiencia o conocimiento a menos que dichas personas reciban una supervisión o capacitación para el funcionamiento del aparato por una persona responsable de su seguridad.
- Los niños deben supervisarse para asegurar que ellos no empleen los aparatos como juguete.
- No flamear alimentos bajo la campana de cocina
- Debe haber una ventilación adecuada en el cuarto, cuando la campana de cocina se utiliza al mismo tiempo que los aparatos que consumen gas u otros combustibles. (NO APLICA PARA CAMPANAS QUE ÚNICAMENTE SON RECIRCULANTES)
- Existe el riesgo de fuego, si la limpieza no se realiza de acuerdo con las instrucciones.
- El aire de descarga no debe enviarse a través de un conducto que se utilice para evacuar los humos de los aparatos que consumen gas u otros combustibles. (NO APLICA PARA CAMPANAS QUE ÚNICAMENTE SON RECIRCULANTES).

- Deben de cumplirse las regulaciones que se relacionen con la evaluación de la descarga de aire
- En caso de que su cordón de alimentación llegue a sufrir un daño parcial o total no trate de repararlo acuda al centro de servicio marcado en su garantía o bien con un técnico especialista para su sustitución.
- **ADVERTENCIA:** La mala colocación de los tornillos o artefactos de montaje o sujeción de acuerdo a estas instrucciones puede traer consigo peligros eléctricos."
- **PRECAUCIÓN:** Las partes accesibles pueden calentarse cuando se utilizan los aparatos de cocción."

Requisitos eléctricos y de instalación

Requisitos eléctricos

IMPORTANTE

Respete todos los códigos y ordenanzas vigentes.

Es responsabilidad del cliente:

Contactar con un instalador eléctrico cualificado.

Para asegurarse de que la instalación eléctrica es adecuada y se ajusta al Código Eléctrico Nacional, ANSI/NFPA 70 - última edición*, o a las normas CSA C22.1-94, Código Eléctrico Canadiense, Parte 1 y C22.2 N.º.0-M91 - última edición** y a todos los códigos y ordenanzas locales.

Si los códigos lo permiten y se utiliza un cable de tierra separado, se recomienda que un electricista cualificado determine si la trayectoria de la tierra es adecuada.

INSTRUCCIONES PARA LA PUESTA A TIERRA

Este aparato debe ser conectado a tierra. En caso de cortocircuito eléctrico, la conexión a tierra reduce el riesgo de descargas eléctricas, proveyendo un cable de fuga para la corriente eléctrica.

ATENCIÓN – La inadecuada puesta a tierra puede causar un riesgo de descarga eléctrica.

Consultar a un electricista calificado en caso de mal interpretación de las instrucciones para la puesta a tierra o de dudas sobre el adecuamiento de la conexión a tierra.

No utilizar una prolongación. Si el cable de alimentación es demasiado corto, hacer instalar por un electricista calificado, un enchufe en proximidad del aparato.

No conecte a tierra una tubería de gas.

Consulte a un electricista calificado si no está seguro de que la campana extractora está correctamente conectada a tierra.

No tenga un fusible en el circuito neutro o de tierra.

Este aparato es dotado de cable eléctrico con conductor y enchufe de puesta a tierra. El enchufe debe ser insertado en un toma, correctamente instalado y conectado a tierra.

No utilizar una prolongación. Si el cable de alimentación es demasiado corto, hacer instalar por un electricista calificado, un enchufe en proximidad del aparato.

No manejar ningún ventilador con la cuerda dañada o enchufado. Descartar el ventilador o devolverlo al servicio autorizado para facilitar su examen o reparación.

No pasar la cuerda debajo del alfombrado.

No cubra la cuerda con mantas de tiro, corredores, o cubiertas similares. No haga pasar la cuerda por debajo de muebles o apliques. Arreglar la cuerda fuera del área de tránsito y donde no será pisada.

IMPORTANTE

Guarde las instrucciones de instalación para que pueda utilizarlas el inspector eléctrico.

La campana debe estar conectada directamente al desconectador con fusible (O disyuntor) .

Las dimensiones de los cables deben ajustarse a los requisitos del Código Eléctrico Nacional ANSI/NFPA 70 - última edición*, o a las normas CSA C22.1-94, Código Eléctrico Canadiense Parte 1 y C22.2 N.º 0-M91 - última edición** y a todos los códigos y ordenanzas locales.

En cada extremo del conducto de alimentación (en el aparato y en la caja de conexiones) debe haber un conector de conducto listado por U.L. o C.S.A.

Es posible obtener copias de las normas enumeradas en:

* National Fire Protection Association Batterymarch Park Quincy, Massachusetts 02269

** CSA International 8501 East Pleasant Valley Road Cleveland, Ohio 44131-5575

El producto está destinado a la conexión directa al suministro de red, por lo tanto, coloque un interruptor bipolar de regulación que garantice la desconexión completa de la red en condiciones de sobretensión de categoría III, conforme a las normas de instalación.

Antes de instalar la campana

1. Para obtener una circulación del flujo de aire más eficaz, utilice un tubo de tramo recto o el menor número posible de tubos acodados. **PRECAUCIÓN:** el conducto de ventilación solamente debe tener salida hacia la parte exterior del edificio.
2. Para realizar la instalación, se necesitan al menos dos personas. Use guantes para protegerse contra los bordes afilados.
3. La campana se ajusta mediante material adecuados para la mayoría de superficies; consulte a un instalador cualificado para comprobar si quedan perfectamente ajustados al armario o a la pared.
4. No emplee tubos flexibles.
5. Las instalaciones en **CONDICIONES CLIMÁTICAS FRÍAS** deben tener instalado un regulador de contratiro adicional para minimizar el flujo de aire inverso y una rotura térmica no metálica para minimizar la conduc-

ción de temperaturas externas como parte de los tubos. El regulador debe encontrarse en la parte de aire frío de la rotura térmica. La rotura debe estar lo más cerca posible al lugar donde los tubos entran en la parte caliente de la casa.

6. Aire limpio: Las normativas locales para edificios pueden requerir el uso de sistemas de aire limpio cuando se utilizan sistemas de ventilación mediante tubos superiores al CFM especificado de movimiento de aire. El CFM especificado varía de una zona a otra. Para conocer los requisitos específicos de su zona, consulte a un profesional de HVAC.

Toda ubicación de fijación debe extenderse hasta los pernos; de lo contrario proceda de la siguiente manera: Realice un corte en el tabique aislante a lo largo de las líneas marcadas. Instale lo necesario entre los pernos firmemente emparejados con la parte frontal del perno existente. Asegúrese de que los tornillos de montaje quedan anclados a los pernos agregados. Reemplace y renueve el acabado del tabique aislante.

Cuando se use en modo recirculante, Para reducir el riesgo de incendio y choque eléctrico, use sólo el kit de conversión modelo : Filtro de carbón.

2. USO

El sistema de aspiración puede ser utilizado en la versión aspirante de evacuación externa o bien en la versión filtrante de recirculación interior.

• Versión Aspirante:

El vapor es evacuado hacia el exterior a través de un tubo de escape introducido en el aro de sujeción que se encuentra arriba de la campana.

ATENCIÓN!

El diámetro del tubo de escape debe ser igual al diámetro del aro de sujeción.

Los vapores se evacúan al exterior a través de un tubo de escape fijado a la brida de conexión.

¡ATENCIÓN! Si el producto está equipado con filtro/s de carbón, debe/n retirarse.

Empalme el producto en tuberías o agujeros de descarga en la pared con diámetro equivalente al de la salida de aire (brida de empalme).

El empleo de tuberías y agujeros de descarga en la pared con diámetro inferior conllevará una disminución en términos de rendimiento de aspiración y un aumento drástico del ruido.

Por lo tanto no se acepta responsabilidad alguna por ello.

- Usar un conducto cuya longitud sea la mínima indispensable.
- Usar un conducto con la menor cantidad de codos posibles (ángulo máximo del codo: 90°).

- Evitar cambios bruscos de sección del conducto.

• Versión Filtrante:

El aire extraído es desengrasado y desodorizado antes de ser devuelto a la habitación. Para utilizar el producto en esta versión, es necesario instalar un sistema de filtro de carbón activado adicional.

3. INSTALACION

La instalación, eléctrica o mecánica, debe ser realizada por personas especializadas.

No corte una vigueta o un perno a menos que sea absolutamente necesario. Si fuera necesario efectuar el corte, deberá construirse un marco de soporte.

Se suministra el material de ajuste necesario para fijar la campana a la mayoría de tipos de muro o techo.

No obstante, un técnico cualificado debe comprobar la idoneidad de los materiales de acuerdo con el tipo de muro o techo.

Se suministra el material de ajuste necesario para fijar la campana a la mayoría de tipos de muro o techo. No obstante, un técnico cualificado debe comprobar la idoneidad de los materiales de acuerdo con el tipo de muro o techo.

Antes de efectuar ningún corte, asegúrese de existe espacio libre adecuado en el techo o muro para la expulsión del aire.

La preferencia de la altura de instalación de la campana de los usuarios es por encima de la cocina.

PRECAUCION: PARA LA INSTALACION DE ESTUFAS DE GAS: INSTALE ESTA CAMPANA DE TAL MANERA QUE LA CORNISA INFERIOR SE ENCUENTRE A 30" (76,2 CM) SOBRE LA SUPERFICIE DE COCCION.

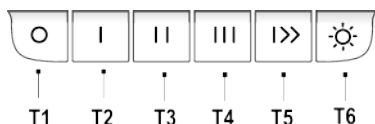
PARA LA INSTALACION DE ESTUFAS ELECTRICAS: INSTALE ESTA CAMPANA DE TAL MANERA QUE LA CORNISA INFERIOR SE ENCUENTRA A NO MENOS DE 30" (76,2 CM) Y NO MAS DE 30" (76,2 CM) SOBRE LA SUPERFICIE DE COCCION. PARA USO ELECTRODOMESTICO. POR FAVOR, LEA EL MANUAL DE INSTALACION PARA UNA INSTALACION ESPECIFICA.

Si las instrucciones para la instalación del dispositivo para cocinar con gas especifican una distancia mayor, hay que tenerlo en consideración.

Antes de seleccionar la campana, compruebe la altura del techo y la altura máxima de la campana.

Consulte las últimas páginas de este manual para obtener instrucciones de instalación y conexión eléctrica.

4. FUNCIONAMIENTO



T1= Botón encendido Pulse para encender la campana y permitir la selección de las velocidades; si se pulsa con el motor encendido, el motor se apaga.

Nota: si no se interviene en ninguna función después de 10 segundos, la campana se apaga.

T2= Tecla de selección de velocidad 1, pulse para activar la velocidad (potencia de succión) **baja**.

T3= Tecla de selección de velocidad 2, pulse para activar la velocidad **media** (potencia de succión).

T4= Tecla de selección de velocidad 3, presione para activar la velocidad (potencia de succión) **alta**.

T5= Tecla de selección 4 velocidades y 5 velocidades

1ª presión : para activar la velocidad 4.

2ª presión: para activar la velocidad 5.

Nota: en la velocidad 5 tecla parpadea.

Nota: Pulsando varias veces esta tecla alternará entre la 4 y la 5 velocidades.

T6= Botón ON/OFF luz Pulse para encender o apagar la iluminación de la encimera.

Sólo en algunos modelos:

Ajuste de intensidad: A la luz encendida presione y mantenga para ajustar la intensidad de la luz.

Ajuste de tono: A la luz encendida presione y mantenga presionadas las teclas **T6** y **T5** para ajustar el tono de la luz.

Indicadores de Saturación filtros

A intervalos regulares la campana indica la necesidad de realizar el mantenimiento de los filtros.

Teclas **T6** y **T5** encendidas con luz intermitente muy lenta : **realizar el mantenimiento del filtro de grasa.**

Teclas **T6** y **T5** encendidas con luz intermitente rápida : **realizar el mantenimiento del filtro de olores.**

Nota: La señal de saturación de los filtros es visible en los primeros 10 segundos después de encender la campana.

Reset indicadores de saturación filtros:

Mantenga pulsadas las teclas **T6** y **T5**, las teclas parpadearán rápidamente para confirmar el restablecimiento.

Activación de los indicadores de saturación filtros:

Nota: Esta operación debe realizarse con la campana apagada.

• **Filtro de grasas**

Presione las teclas **T6** y **T5** durante mucho tiempo para activar la función, las teclas se iluminan con una luz parpadeante muy lenta, lo que indica que puede activar el indicador de filtro de grasa

Nota: Presione las teclas **T2** y **T1** para activar o desactivar.

• **Filtro de olores**

Presione las teclas **T6** y **T5** durante mucho tiempo para activar la función, las teclas se iluminan con luz intermitente rápida, lo que indica que puede activar el indicador de filtro de olores (normalmente desactivado)

Nota: Presione las teclas **T2** y **T1** para activar o desactivar.

5. MANTENIMIENTO

• **Limpeza:** Para la limpieza use exclusivamente un paño humedecido con detergentes líquidos neutros. No utilice herramientas o instrumentos para la limpieza.

• No utilice productos que contienen abrasivos. ¡NO UTILICE ALCOHOL!

• **XB Filtro de carbón activado lavable (solo para la versión filtrante):**

el filtro de carbón puede lavarse cada dos meses (o cuando el sistema de indicación de saturación de los filtros - si está previsto en su modelo - indique esta necesidad). Como se indica en la sección de dibujos: quite los filtros de grasa, retire el filtro de carbón y lave en agua caliente y detergentes adecuados o en un lavavajillas a 65°C (cuando lo lave en un lavavajillas, realice el ciclo de lavado completo sin la vajilla dentro). Elimine el exceso de agua sin dañar el filtro y, a continuación, introdúzcalo en el horno durante 10 minutos a 100°C para secarlo. Sustituya los filtros de grasas.

Sustituya la alfombrilla cada 3 años y siempre que la tela esté dañada.

Iluminación

• El sistema de iluminación está basado en la tecnología LED. Los LED garantizan una iluminación óptima, con una duración hasta 10 veces mayor que las lámparas tradicionales y permiten ahorrar el 90% de energía eléctrica.

• **Sistema de Iluminación :** El sistema de iluminación no es sustituible por el usuario, en caso de mal funcionamiento póngase en contacto con el servicio de asistencia técnica.

Garantía

ELICA North America GARANTIA LIMITADA DE DOS AÑOS.

ELICAMEX S.A. de C.V. Dirección: Av. La Noria No. 102 int. S/N, Col. Parque Industrial Querétaro Del. Santiago de Querétaro, C.P. 76215 Querétaro, R.F.C. ELI060102RK8

PARA OBTENER SERVICIO DENTRO DE GARANTIA.

El propietario debe presentar su recibo original de la compra. Guarde por favor una copia de su recibo de compra como prueba, para recibir el servicio dentro del periodo de garantía.

PARTES Y GARANTIA DE SERVICIO.

Por el periodo de (2) dos años desde la fecha original de la compra, Elica proveerá, gratuitamente, partes no-consumibles o componentes que hayan fallado debido a defectos de fabricación. Durante estos (2) años de garantía limitada, Elica también proveerá gratuitamente, todo el servicio en casa y mano de obra necesaria para reemplazar cualquier parte defectuosa.

QUE NO ESTA CUBIERTO

- Daños o fallas del producto causados por accidente o actos de Dios, tales como inundaciones incendios o terremotos.
- Daños o fallas causadas por alteración del producto o por el uso de partes no-originales.
- Daños o fallas del producto causados durante la entrega, manejo o instalación.
- Daños o fallas del producto causados por abuso del usuario.
- Daños o fallas del producto causados por reemplazo de fusibles dañados o reseteo de interruptor de circuito.
- Daño o fallas causados por el uso del producto en un ambiente comercial (no doméstico).
- Viajes de servicio debidos a dudas sobre el uso o instalación del producto.
- Bombillas, filtros de carbón o metal y cualquier otra parte consumible.
- Desgaste normal.
- Desgaste terminal debido a abusos del usuario, mantenimiento inadecuado, uso de productos / toallas de limpieza corrosivos o abrasivos y por uso de limpiadores para hornos.

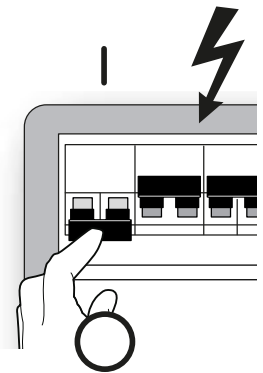
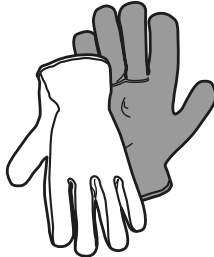
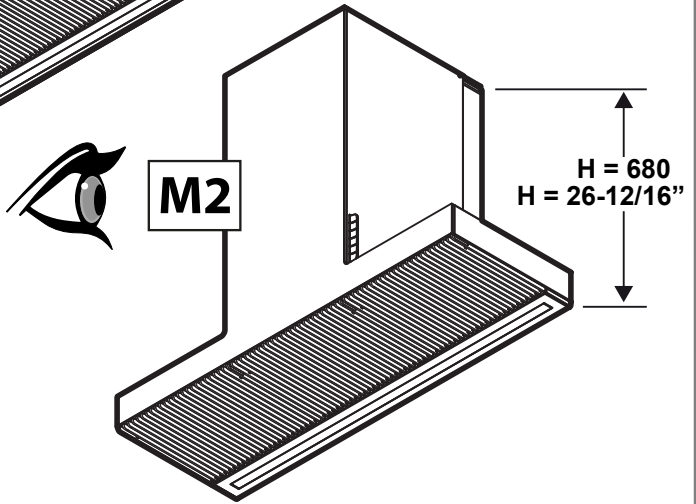
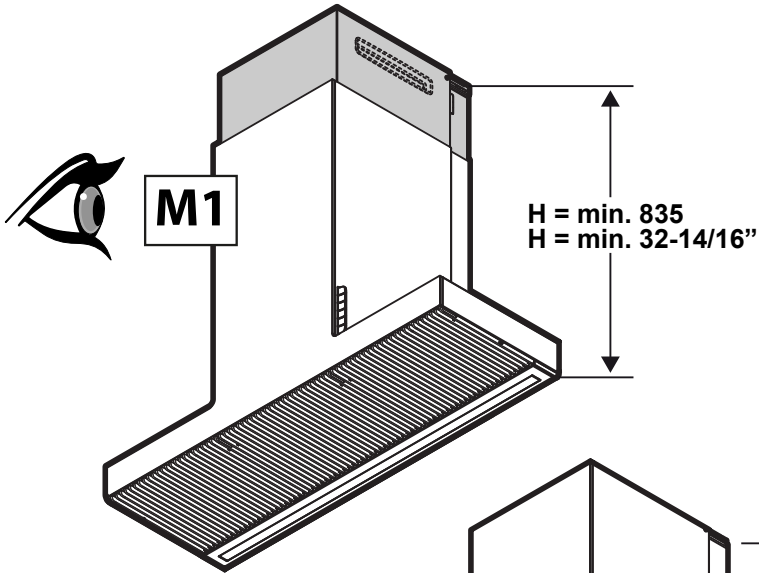
QUIEN ESTA CUBIERTO

Esta garantía se extiende al comprador original de productos adquiridos para uso residencial en Norte América (incluyendo Estados Unidos, Guam, Puerto Rico, Islas Vírgenes de USA y Canadá). Esta garantía no es transferible y aplica solamente al comprador original y no se extiende a propietarios subsecuentes del producto. Esta garantía se expresa en lugar de otras garantías, expresadas o implicadas, incluyendo, pero no limitada a ninguna garantía implicada de comercialización o adaptada para propósitos particulares y cualquier otra obligación por parte de Elica North America, considerando, sin embargo, que si la negación de garantías implícitas es inefectiva bajo la ley aplicable, la duración de cualquier garantía implícita será limitada a dos (2) años desde la fecha original de compra o por el periodo necesario como sea requerido por la ley aplicable. Esta garantía no cubre cualquier daño especial, incidental y/o consecuente, ni pérdidas de ganancias, sufridas por el comprador original, sus clientes y/o usuarios del producto.

A QUIEN CONTACTAR

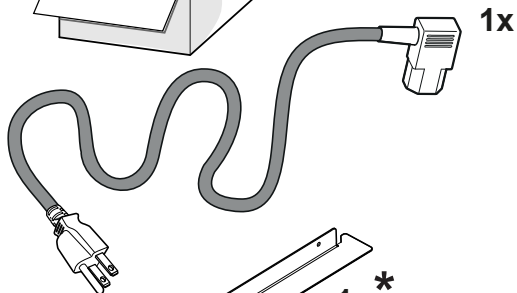
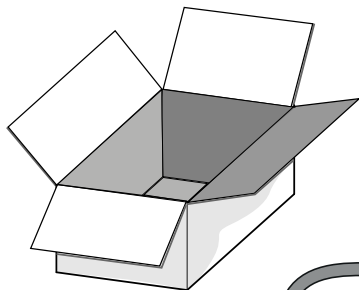
Para obtener servicio bajo garantía o para cualquier pregunta relacionada a servicio.

- Servicio Autorizado de Elica North America - (714) 428-0046
- elica@servicepower.com
- *Artexa Mexico S.A. de C.V. / Cañon Grande #7720, Col. La Estanzuela, Monterrey, N.L., 64984, Mexico / telefono 81 8625 5000, whatsapp 55 3955 8770, email servicio@artexa.com*

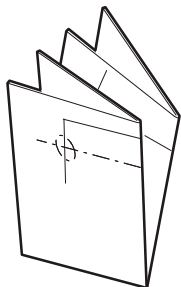


M1

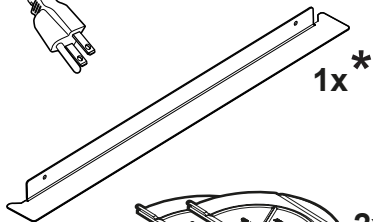
M2



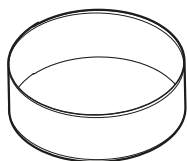
1x



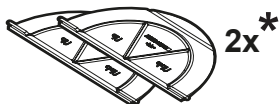
1x



1x*



1x*



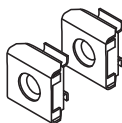
2x*



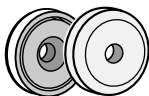
1x*



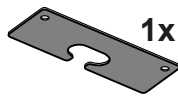
1x



2x*



2x



1x



2x

M4x8

M3/16"x5/16"

T10



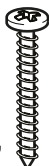
T20



8x

Ø8x40 mm

Ø5/16"x1-9/16"



8x

Ø5x45 mm

Ø3/16"x1-49/64"

2x



Ø3,5x6,5 mm

Ø9/64"x3/8"



2x

M5x16

M3/16"



2x

M4x10

M5/32"x25/64"



3x

Ø3,5x9,5 mm

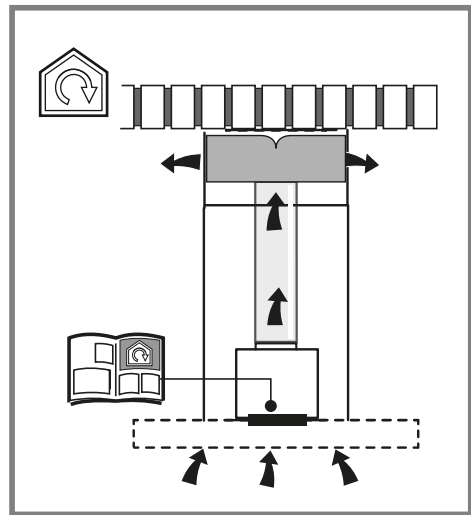
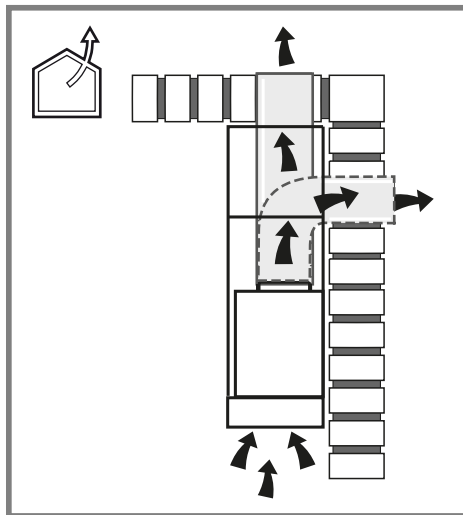
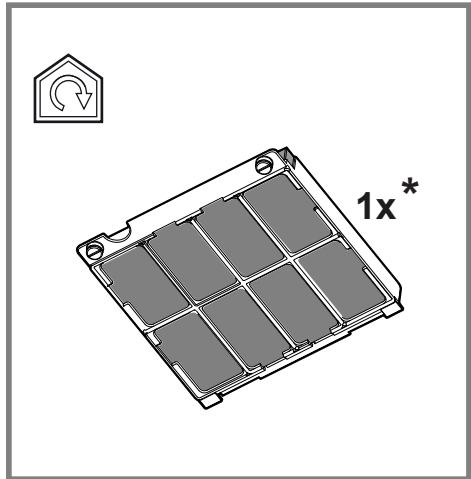
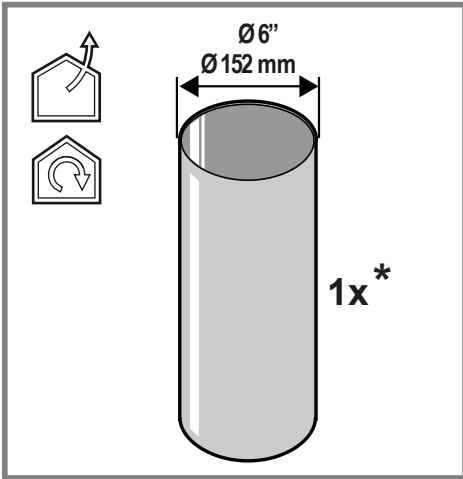
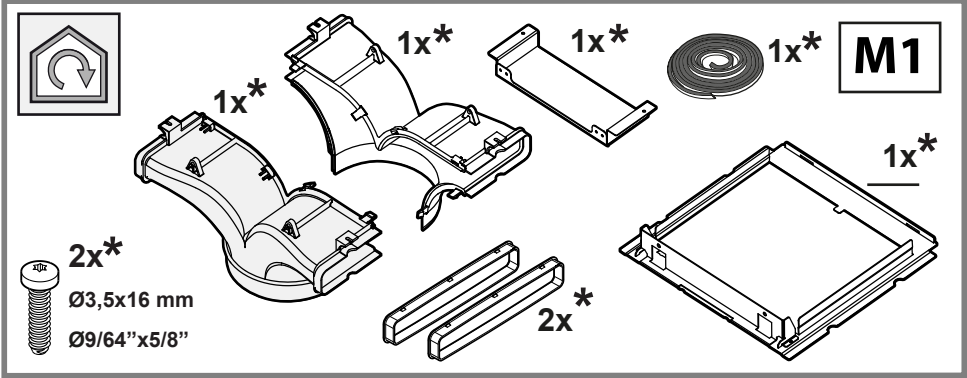
Ø9/64"x3/8"

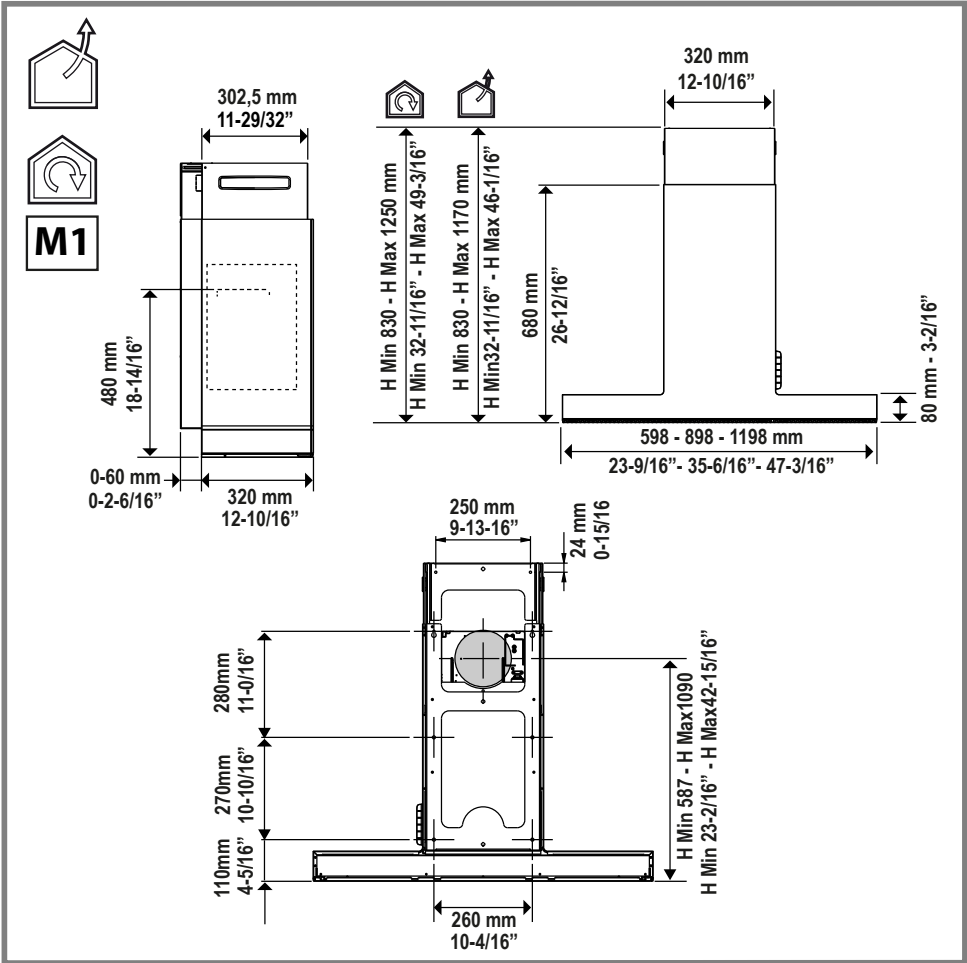
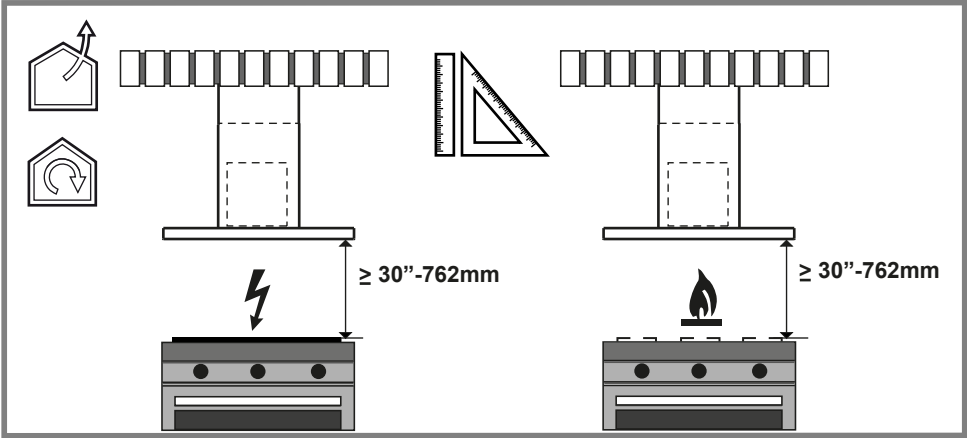


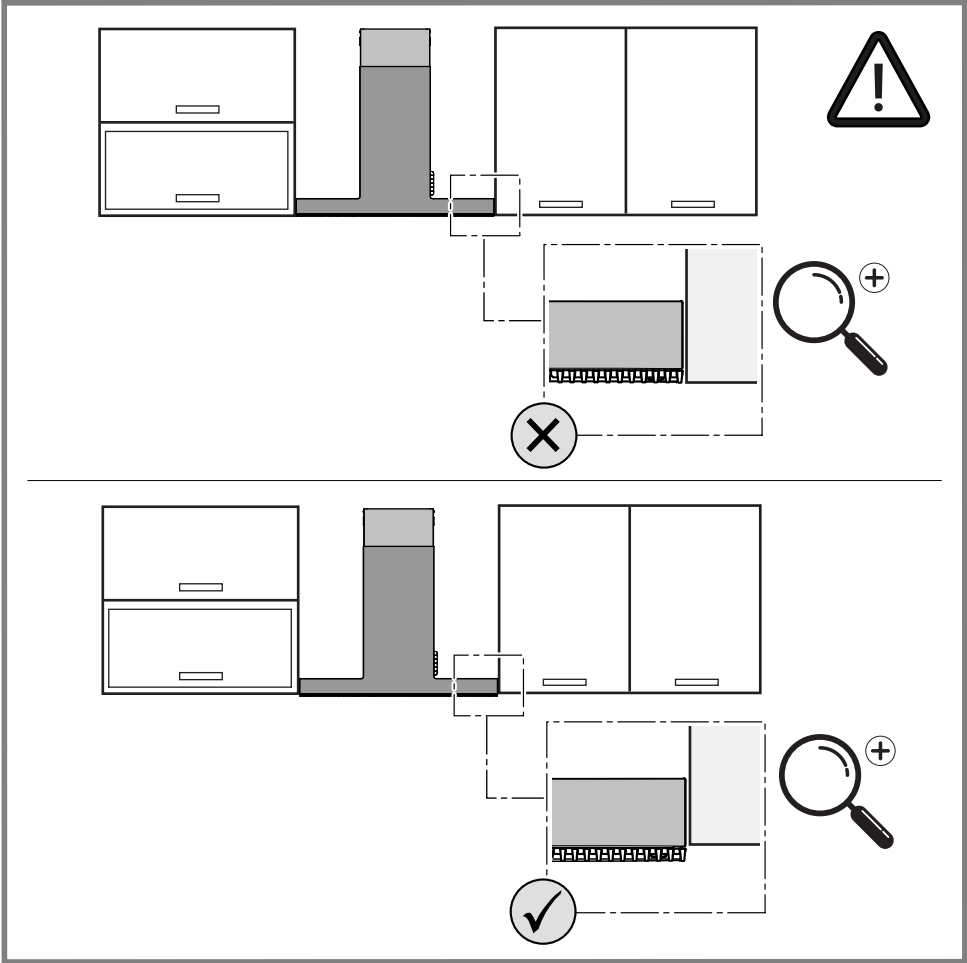
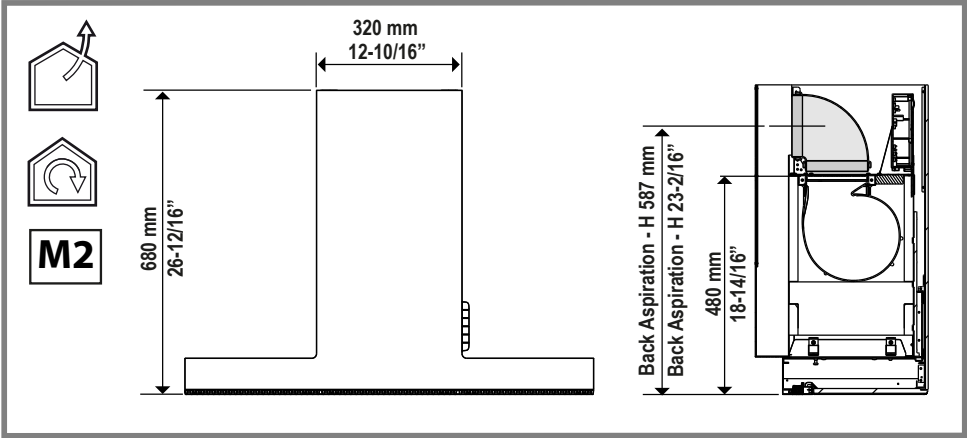
2x

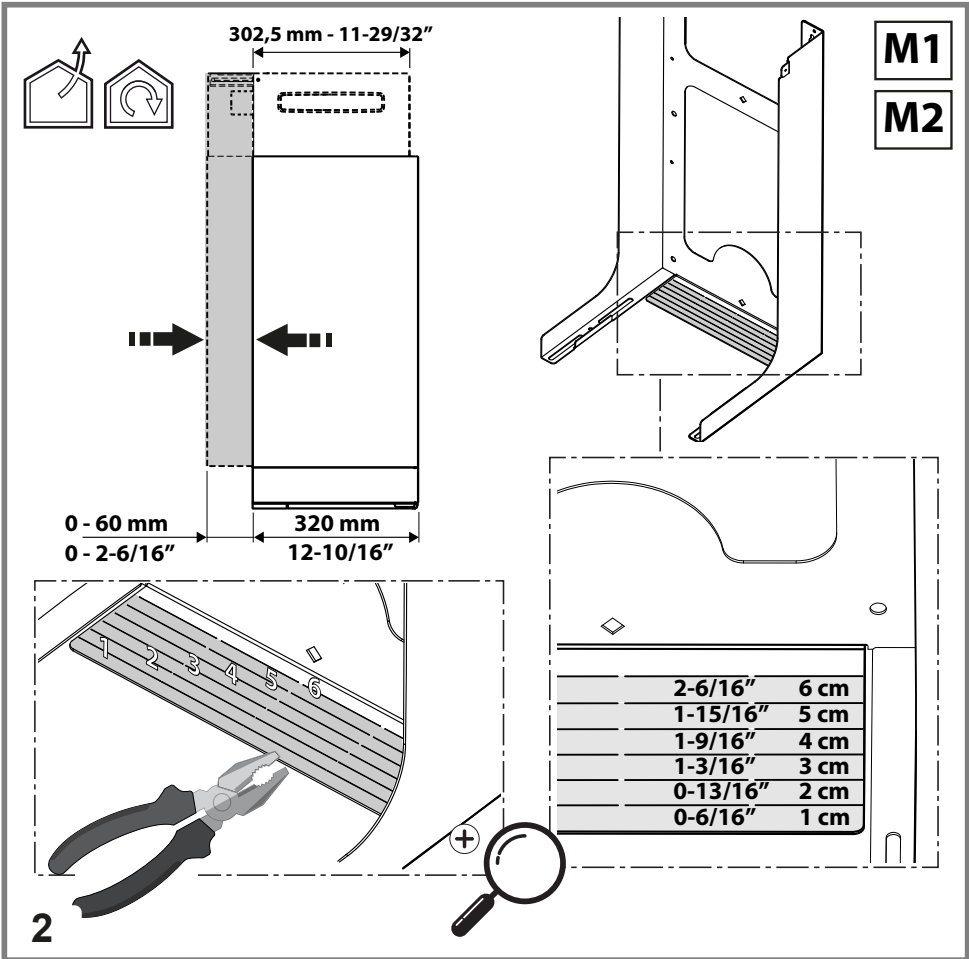
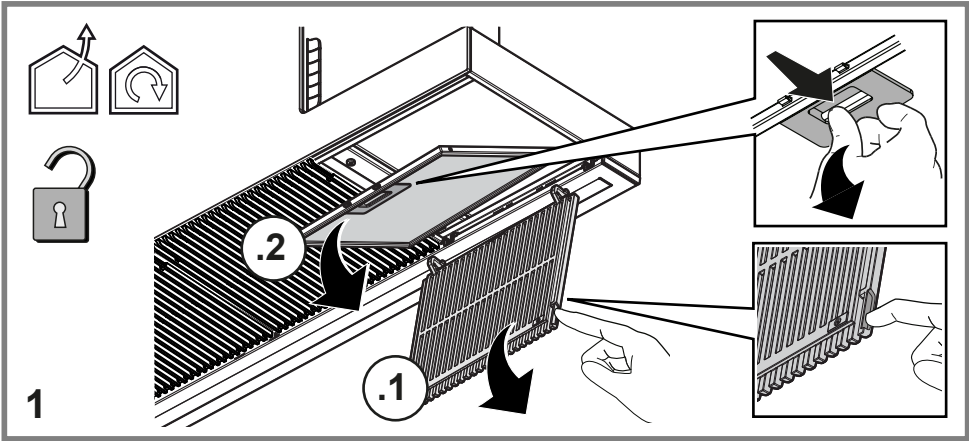
Ø2,9x9,5 mm

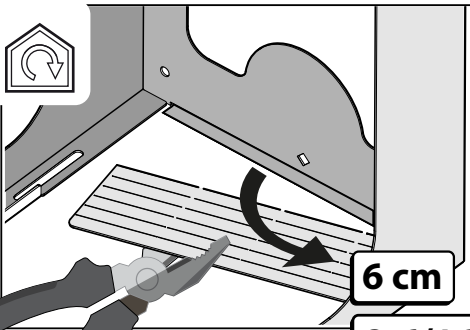
Ø7/64"x3/8"





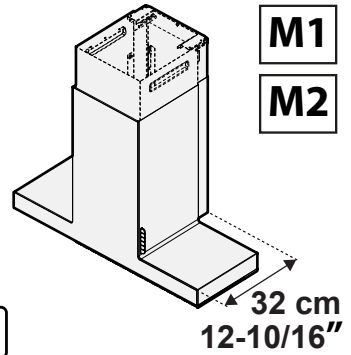






6 cm

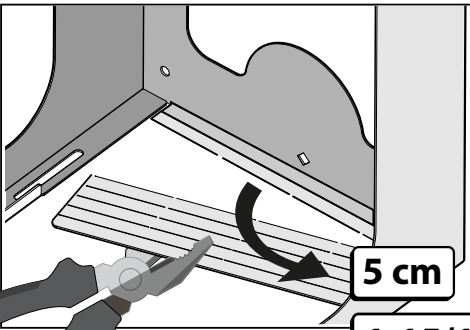
2-6/16"



M1

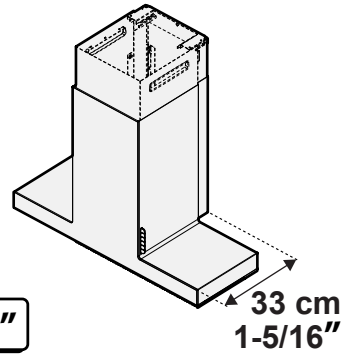
M2

32 cm
12-10/16"

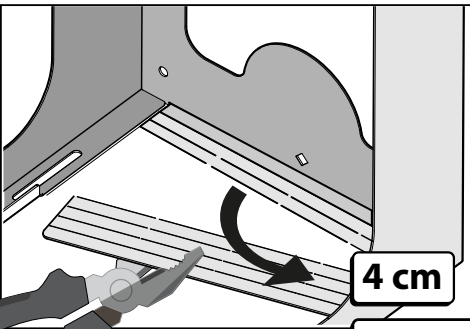


5 cm

1-15/16"

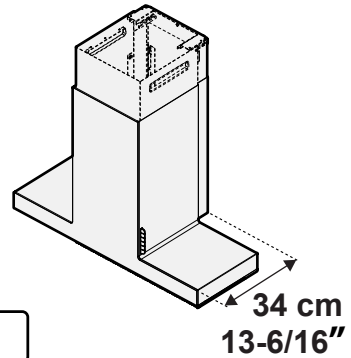


33 cm
1-5/16"



4 cm

1-9/16"



34 cm
13-6/16"

2.1



≥ 35-38 cm

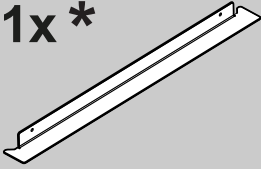
≥ 13-12/16" - 14-15/16"

M1

M2

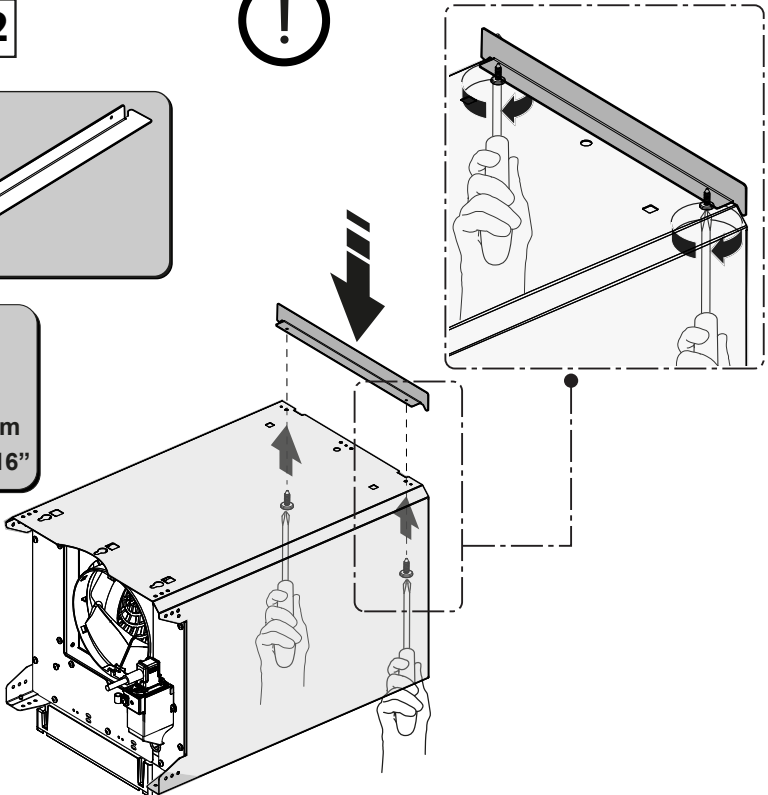


1x *

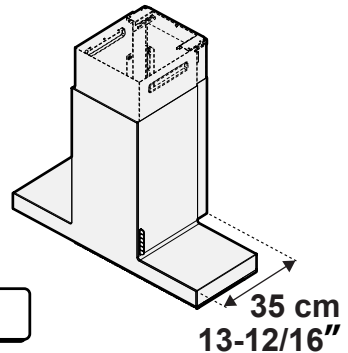
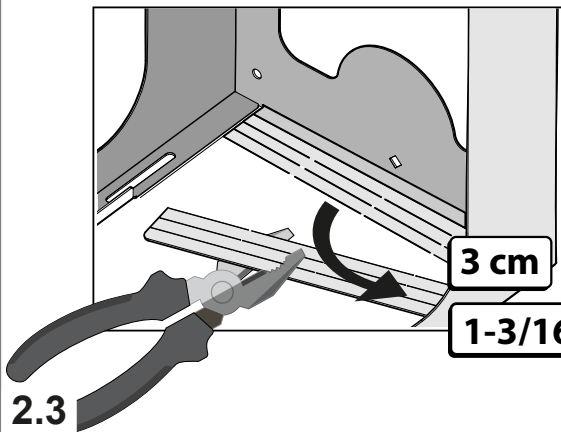


2x

Ø3,5x9,5mm
Ø2/16" x 6/16"



2.2

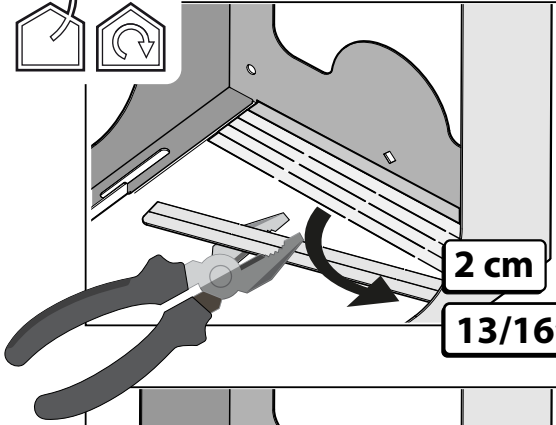


2.3



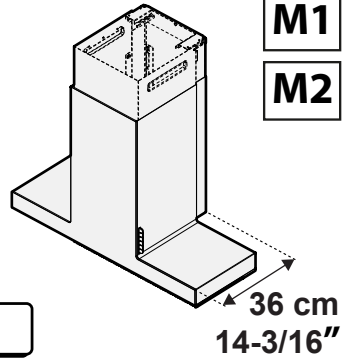
M1

M2

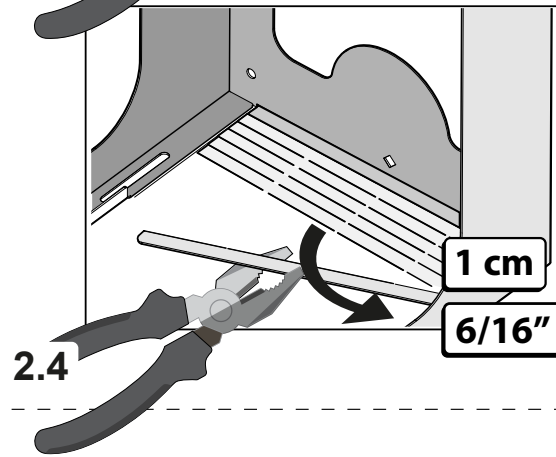


2 cm

13/16"



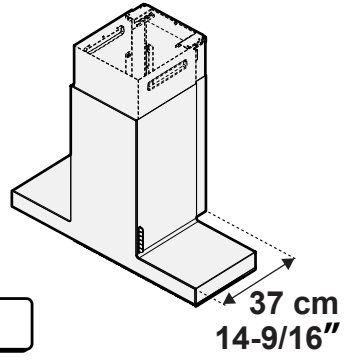
36 cm
14-3/16"



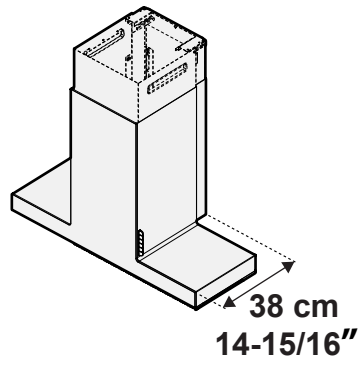
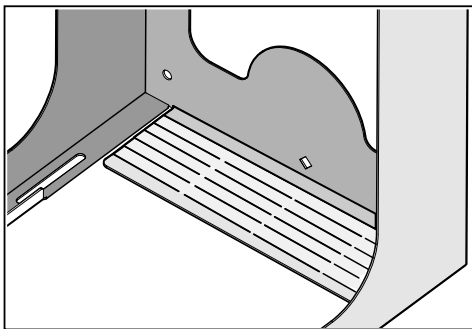
1 cm

6/16"

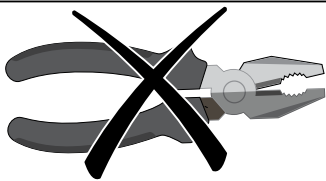
2.4



37 cm
14-9/16"



38 cm
14-15/16"



2.5

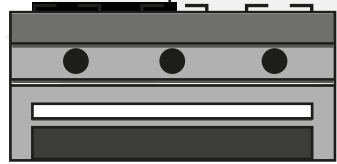
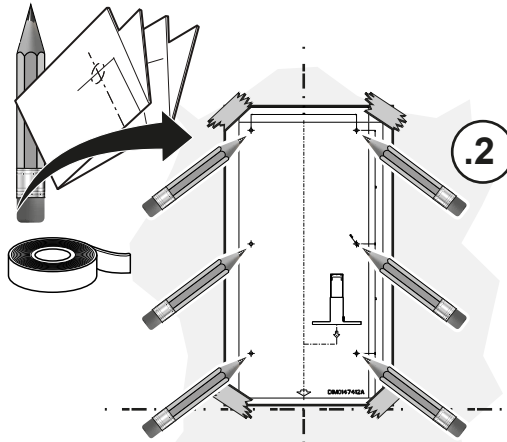
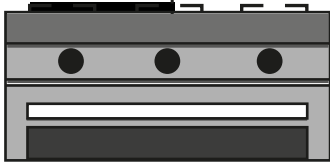


M1

M2

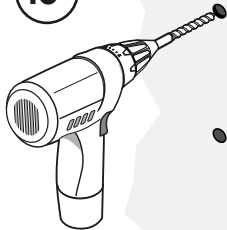
.1

.2



6 x Ø8 mm

.3



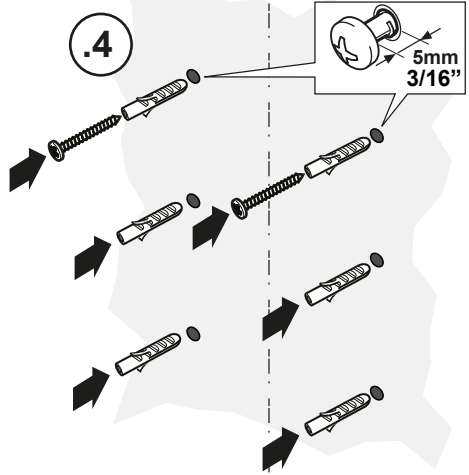
3

6x
Ø8x40 mm
Ø5/16"x1-9/16"

2x
Ø5x45 mm
Ø3/16"x1-49/64"

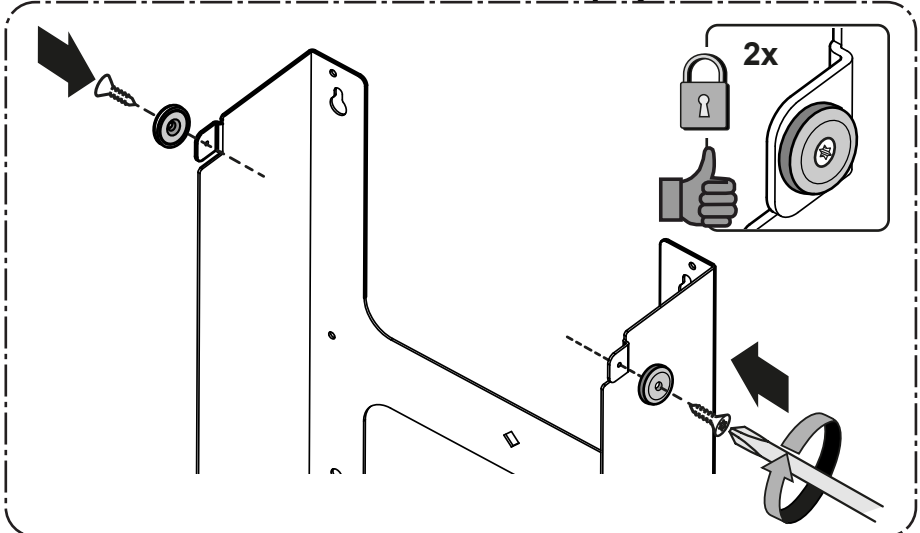
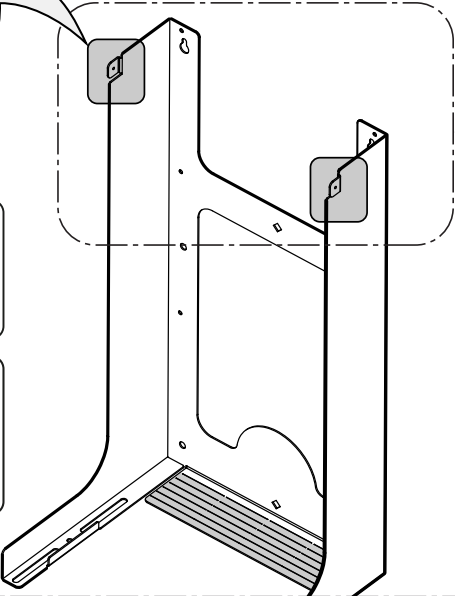
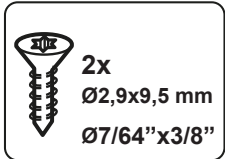
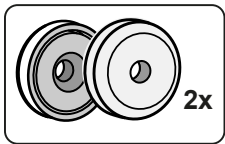
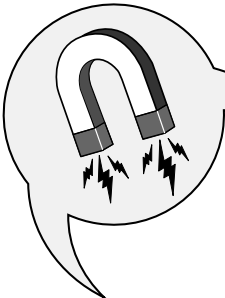
.4

5mm
3/16"



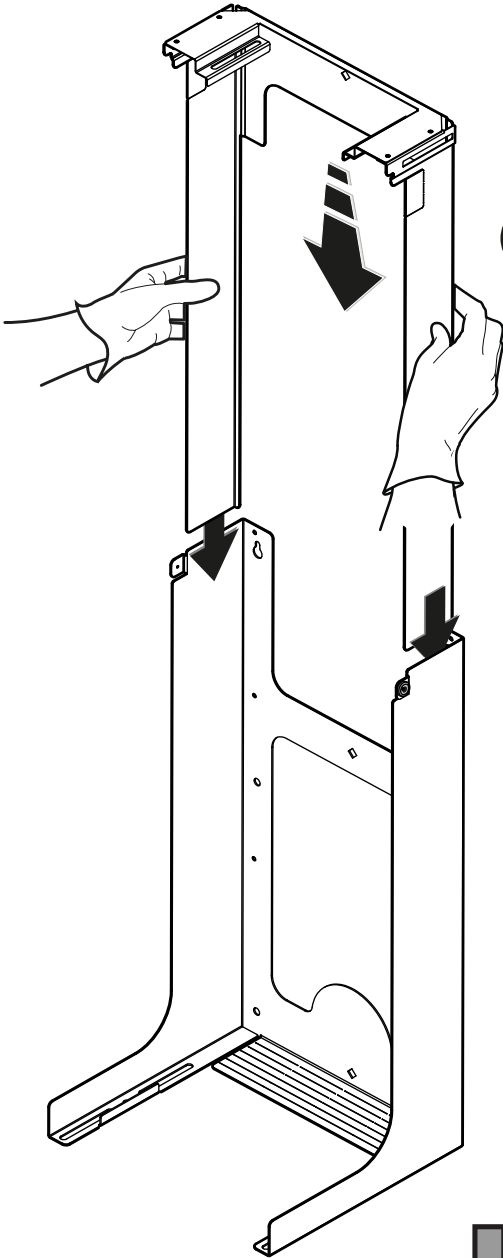
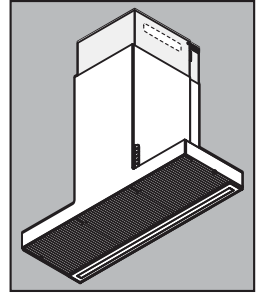


M1 M2

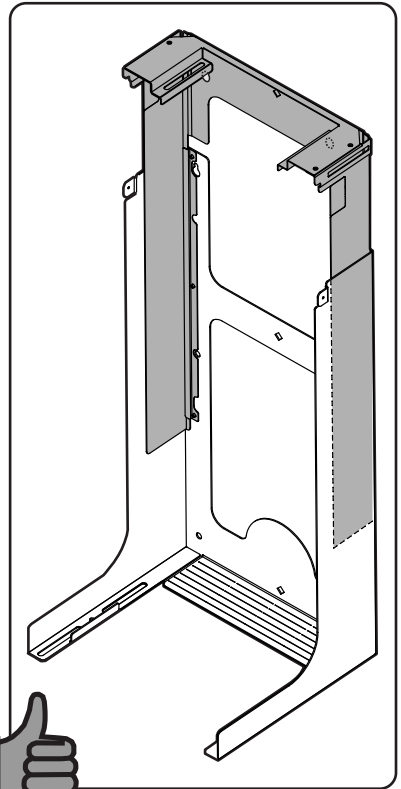




M1

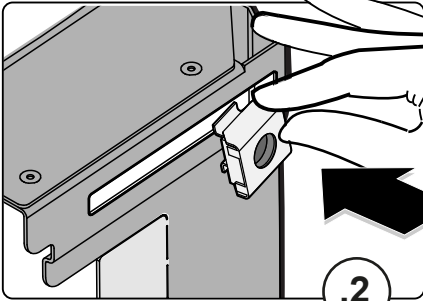
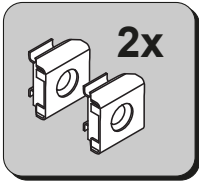
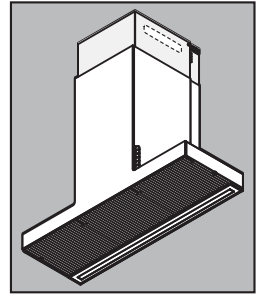


.1

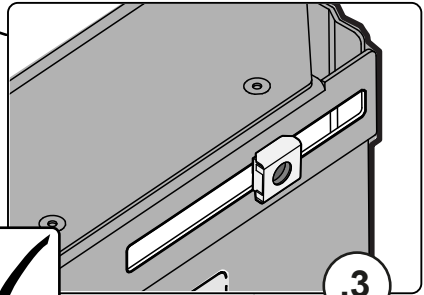




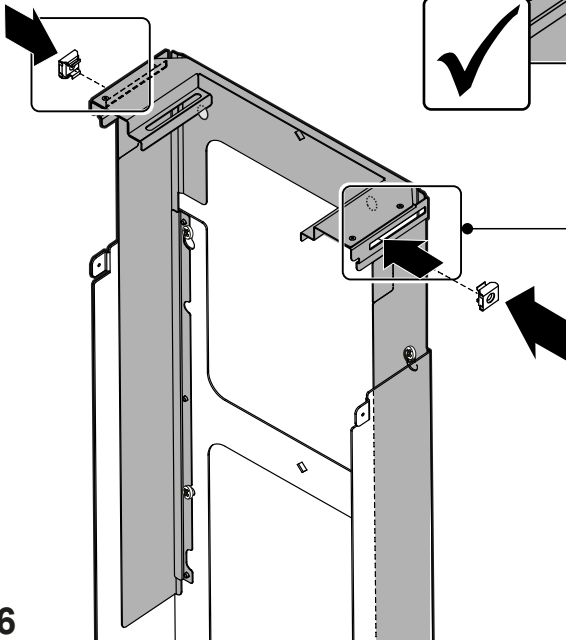
M1



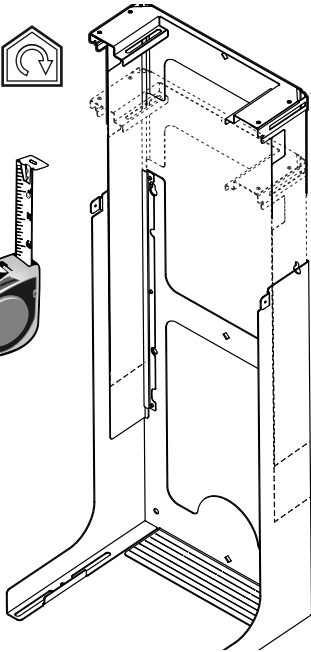
.2



.3



6



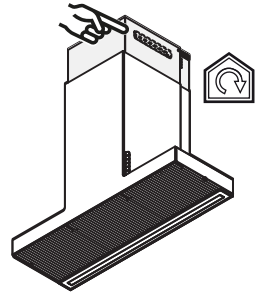
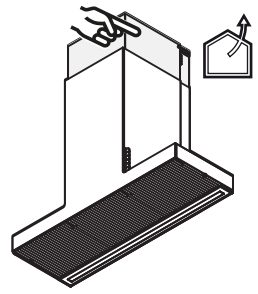
M1

.4

h min. 748 mm
h min. 29-7/16"
max 1088 mm
max 42-27/32"



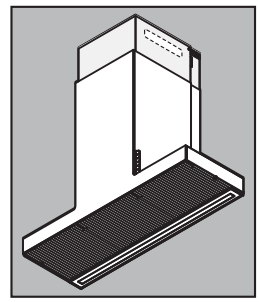
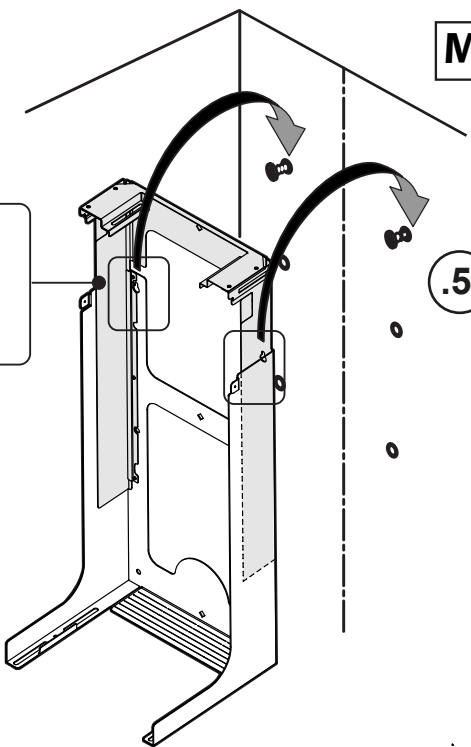
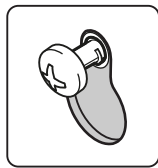
h min. 748 mm
h min. 29-7/16"
h max 1168 mm
h max 45-63/64"



7.1

M1

.5

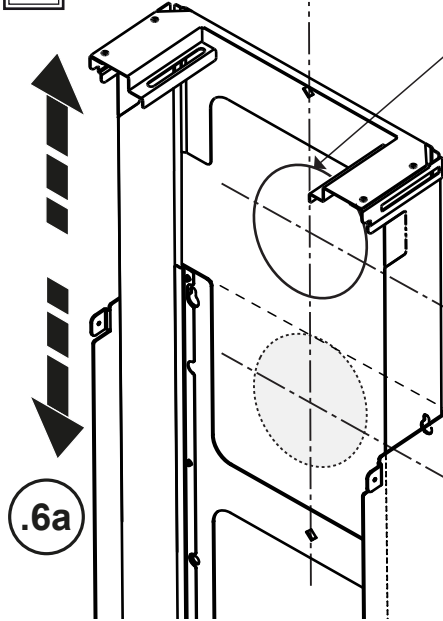
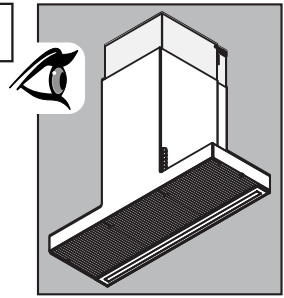


7.2

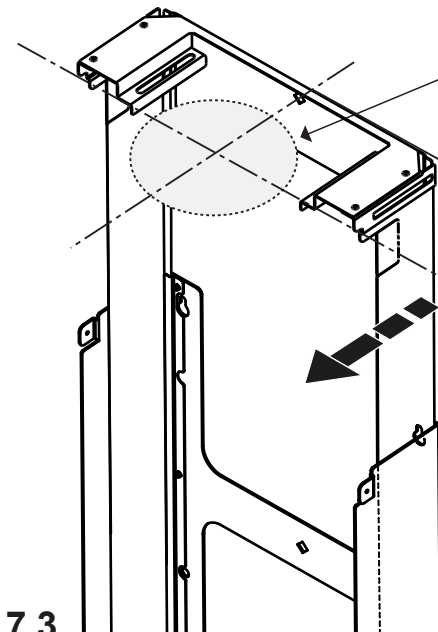
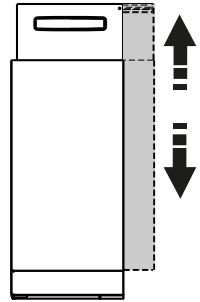


M1

Ø160 mm
Ø6-5/16"



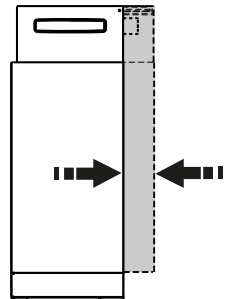
Σ = 160 mm
Σ = 6-5/16"
Σ = 90 mm
Σ = 3-35/64"



Ø160 mm
Ø6-5/16"

.6b

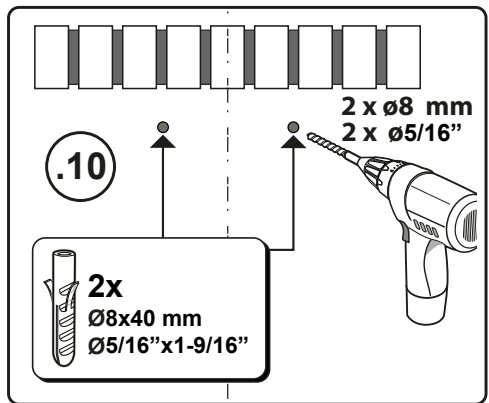
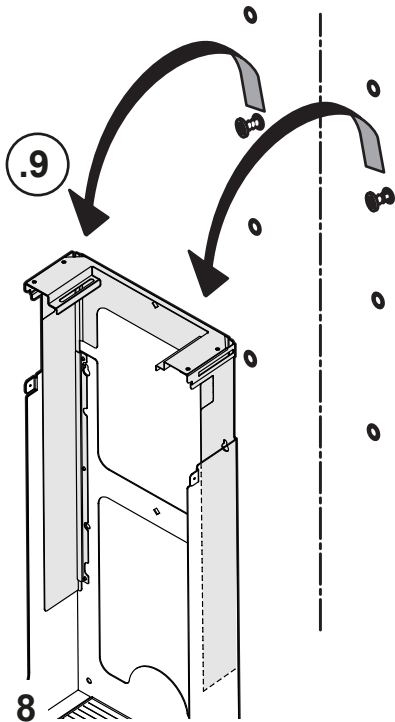
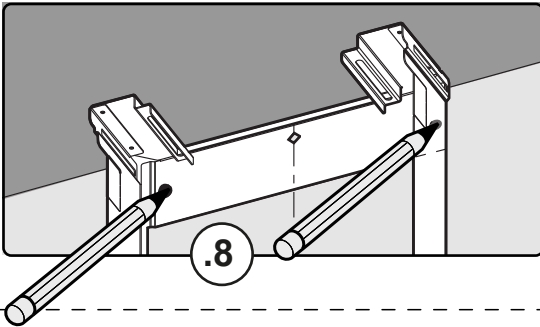
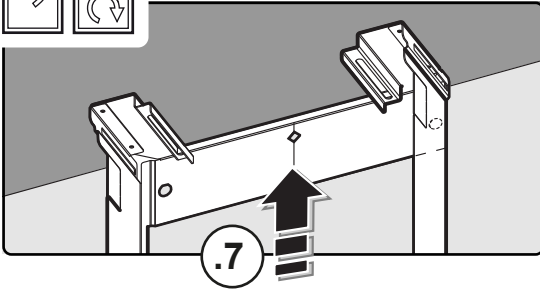
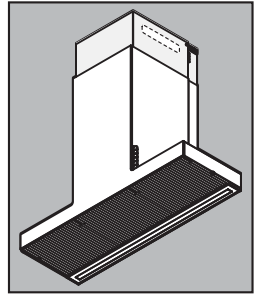
min = 121,5 mm
min = 4-25/32"
max = 181,5 mm
max = 7-9/64"



7.3



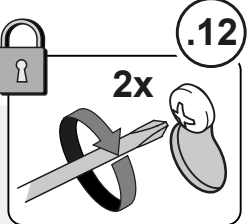
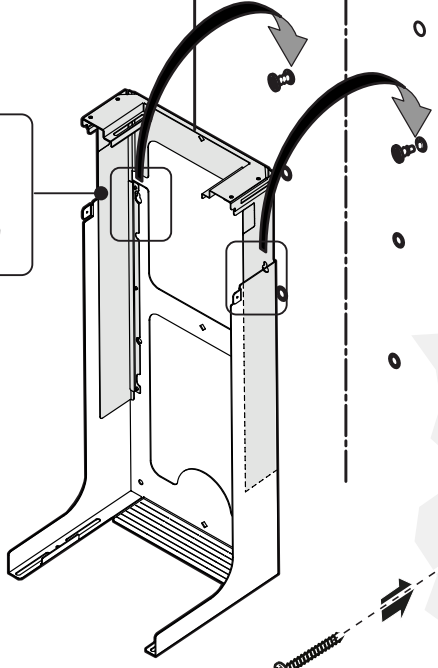
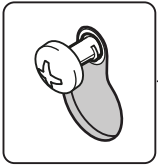
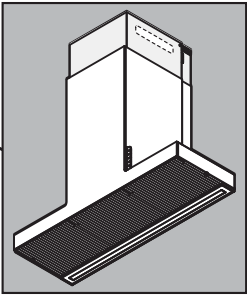
M1



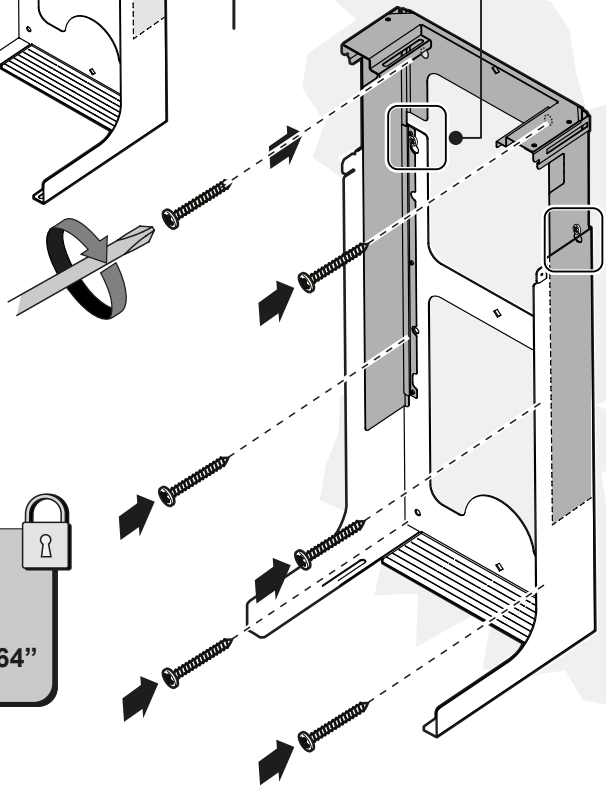


M1

.11



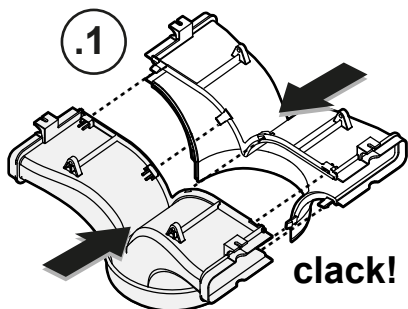
.13



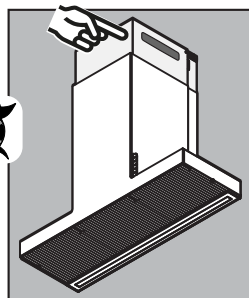
6x

Ø5x45 mm

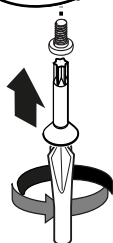
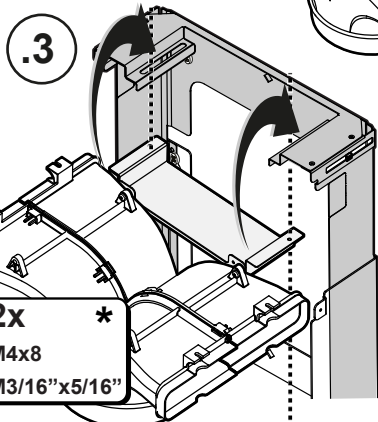
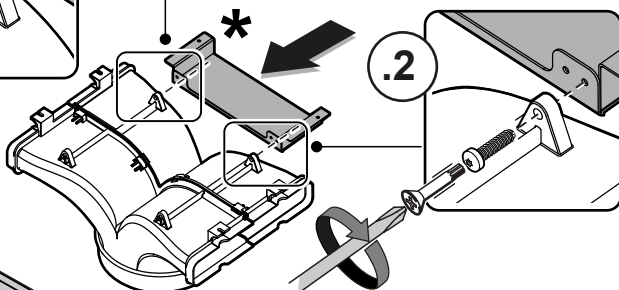
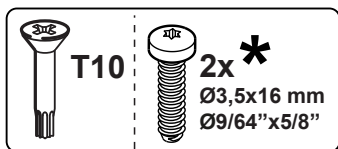
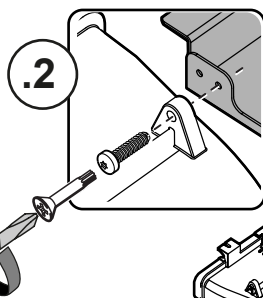
Ø3/16" x 1-49/64"



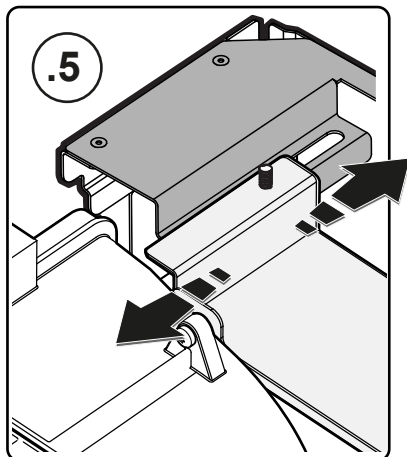
M1



*

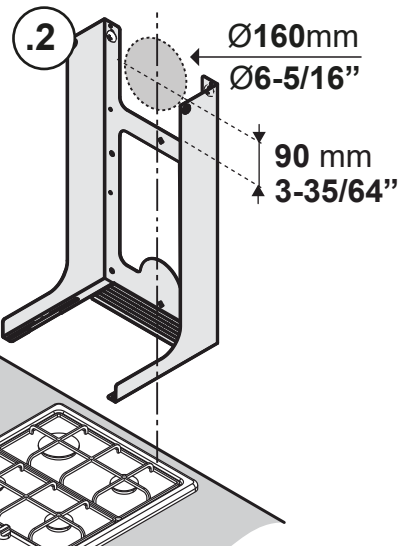
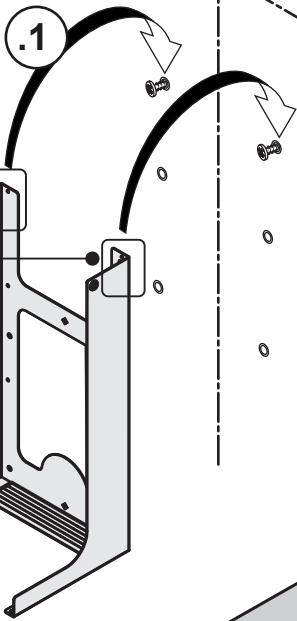
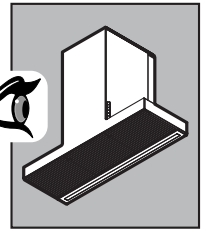


.4

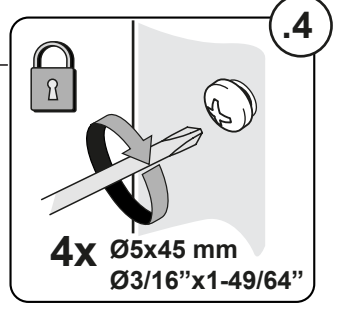
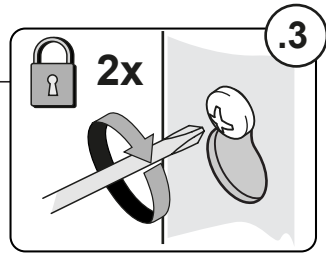
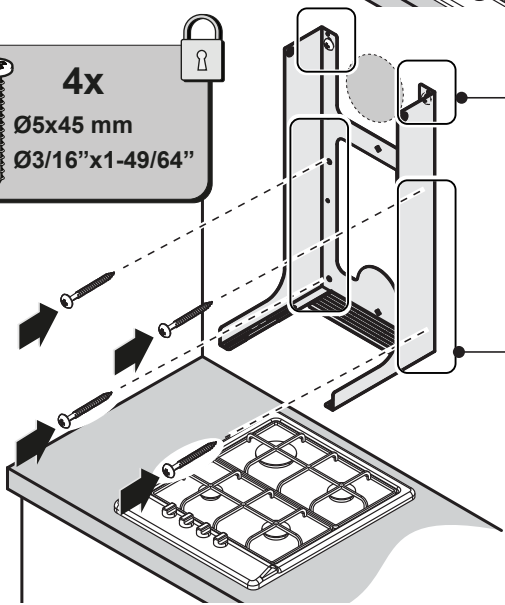


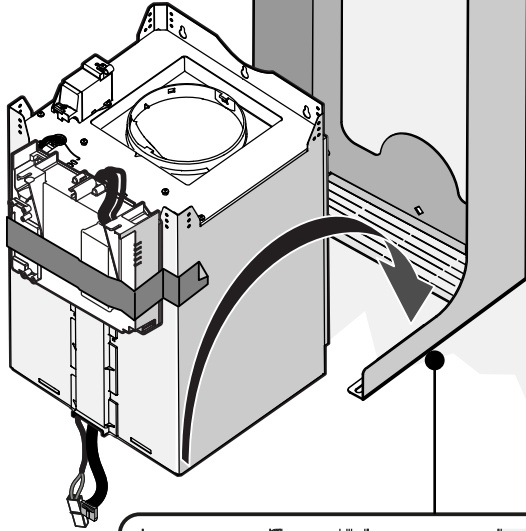


M2

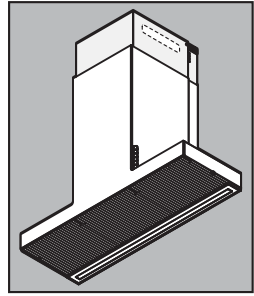


4x
Ø5x45 mm
Ø3/16"x1-49/64"

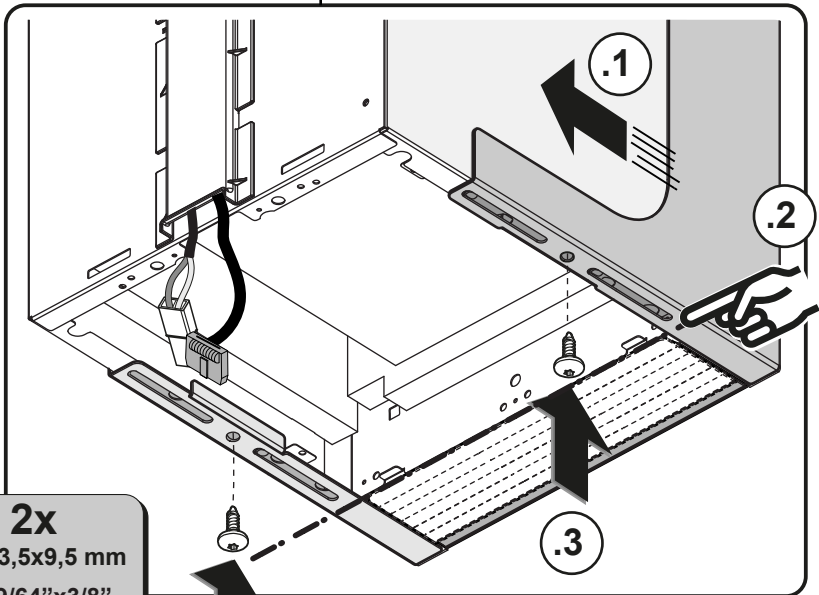
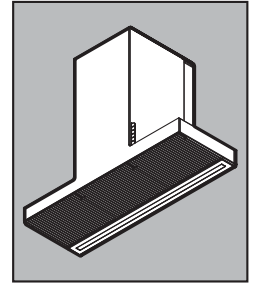




M1



M2



2x

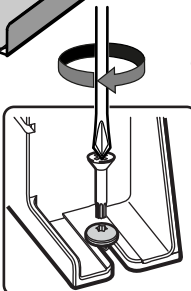
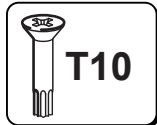
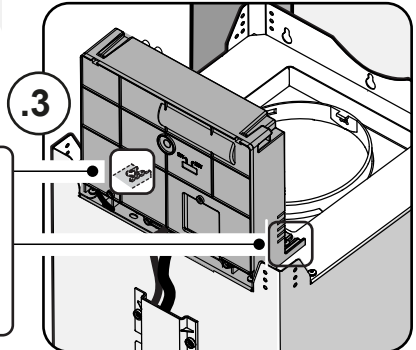
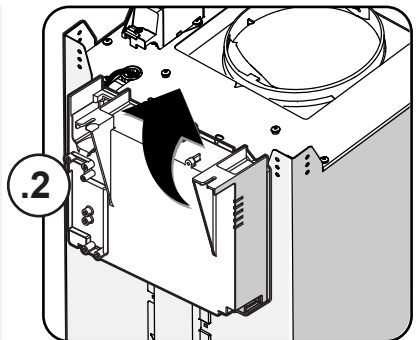
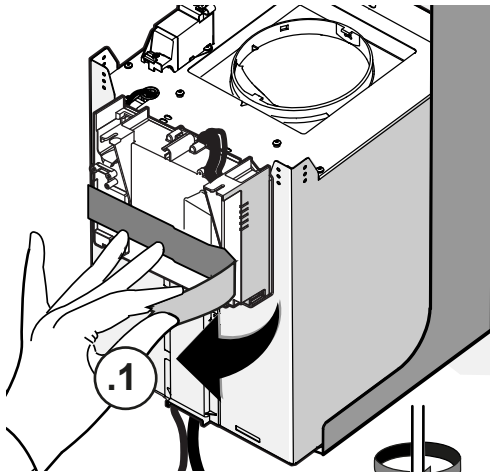
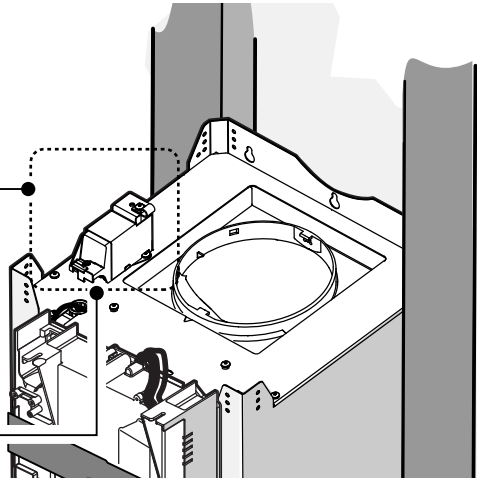
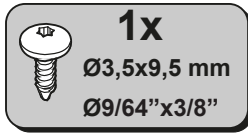
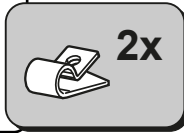
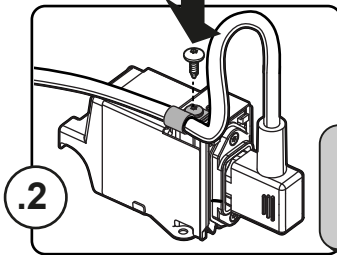
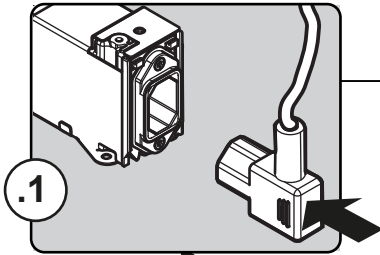
Ø3,5x9,5 mm

Ø9/64"x3/8"



M1

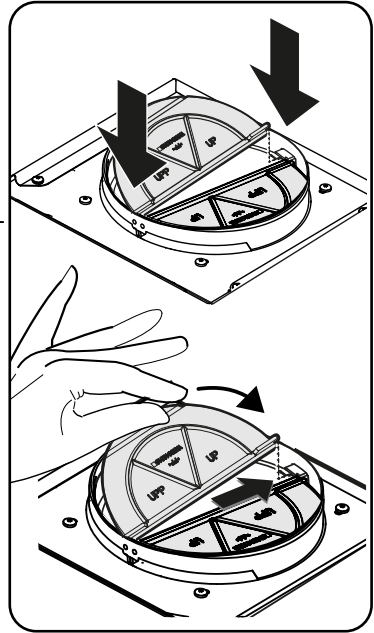
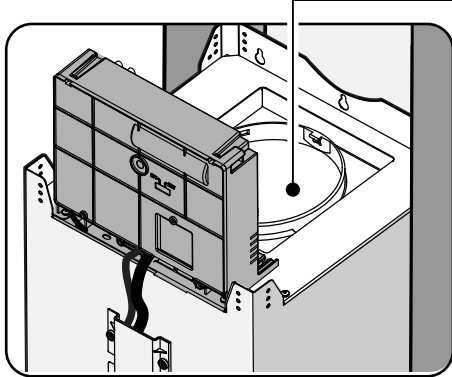
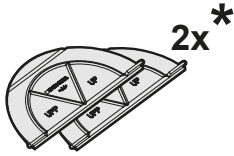
M2





M1

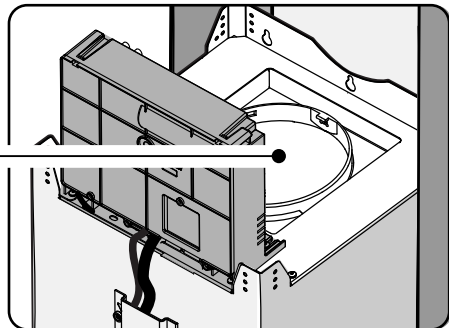
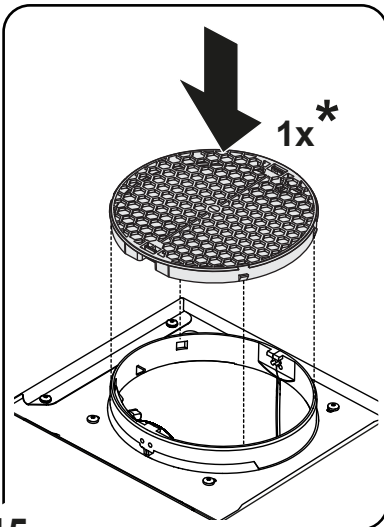
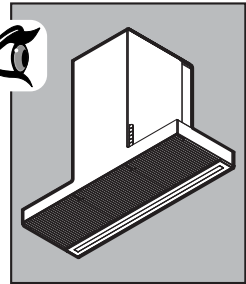
M2



14

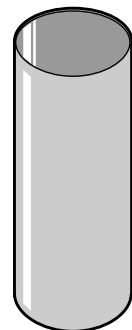
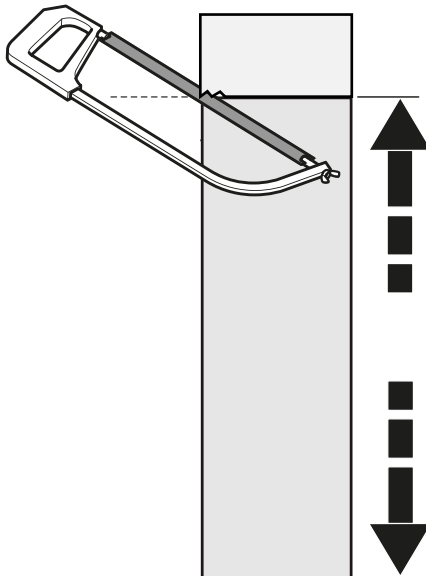
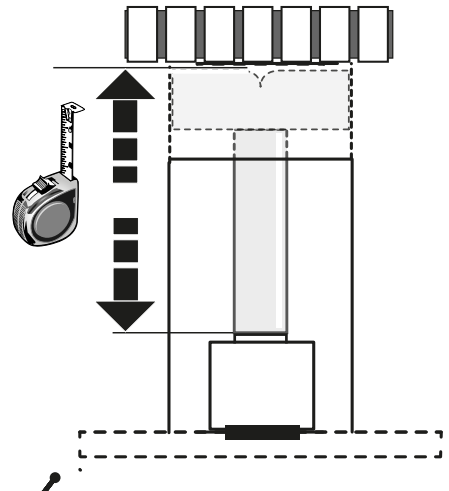
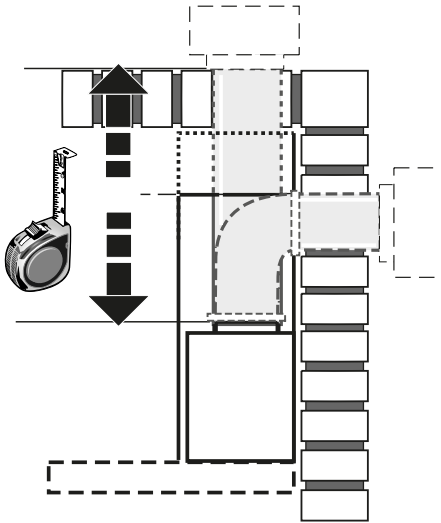


M2



15

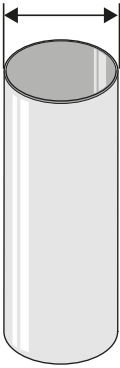
M1 M2



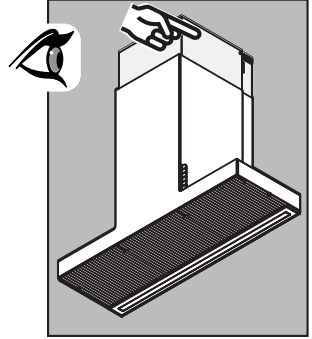
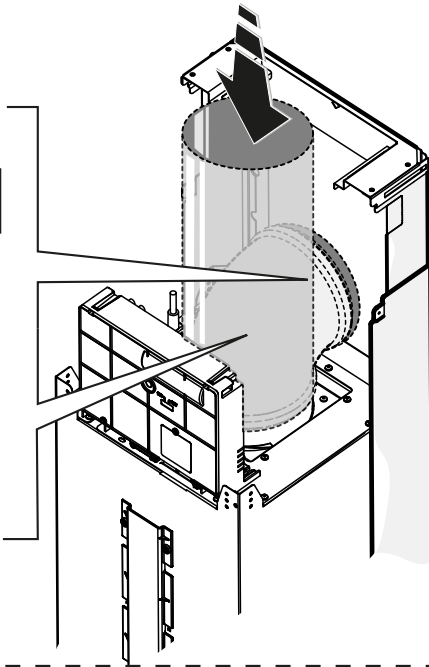


M1

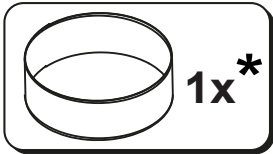
Ø 6"
Ø 152 mm



*



M1 M2

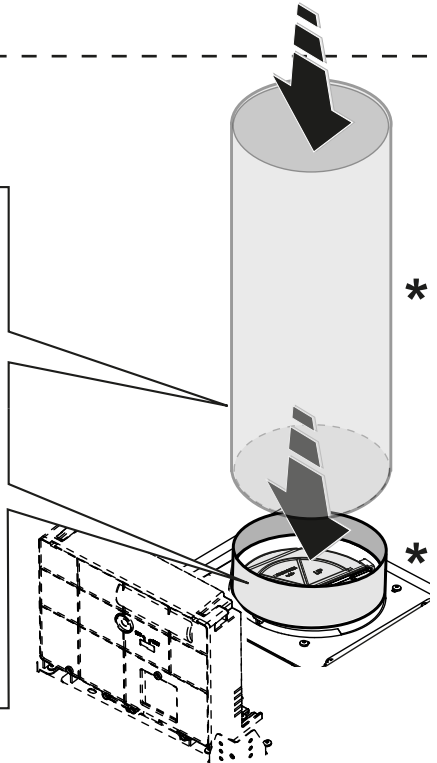
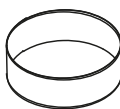


Ø 6"
Ø 152 mm



*

1x*



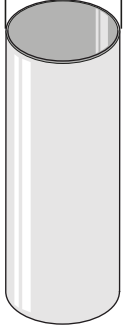
*

*

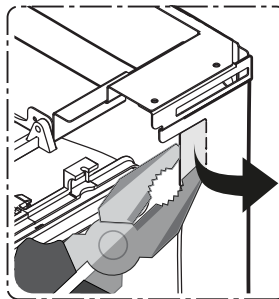
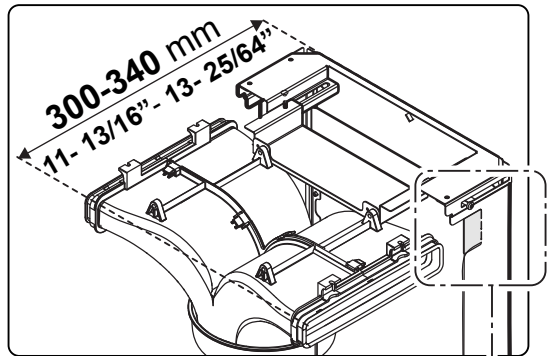
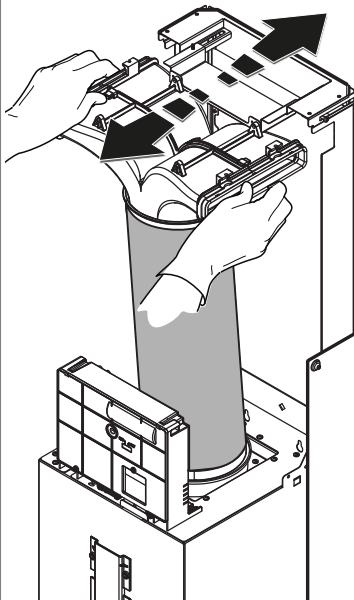
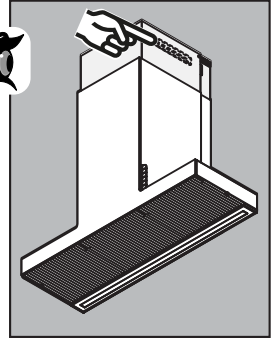
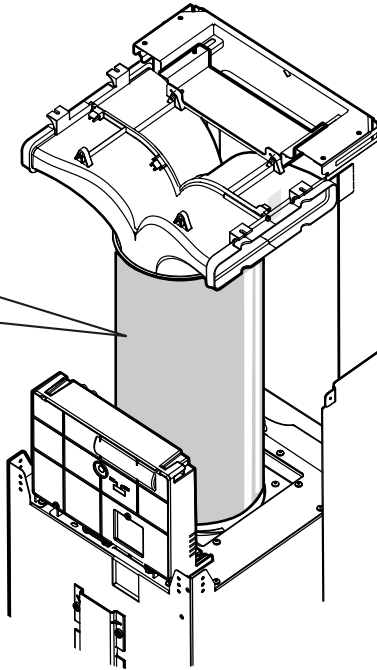


M1

Ø 6"
Ø 152 mm



*



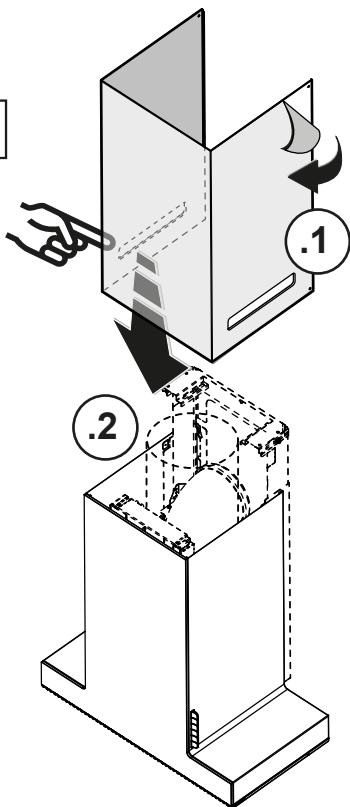
300mm

11- 13/16\"/>





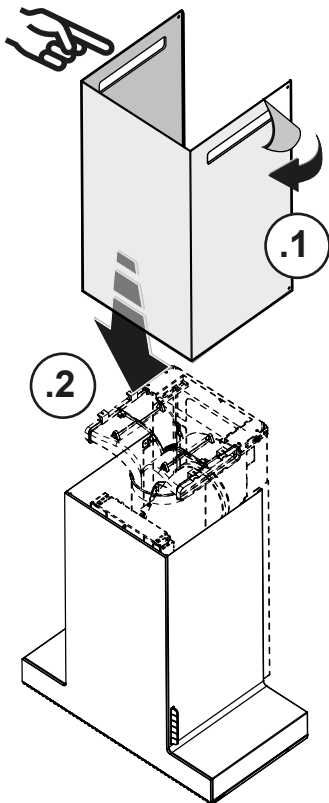
M1



19a



M1

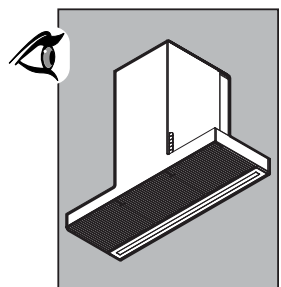
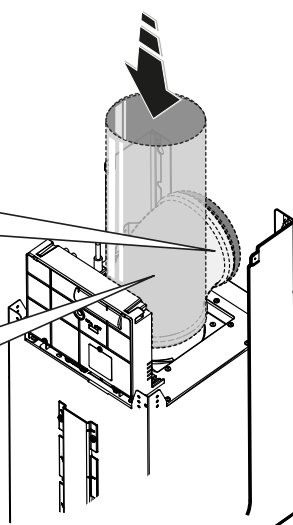
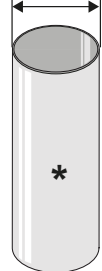


20a



M2

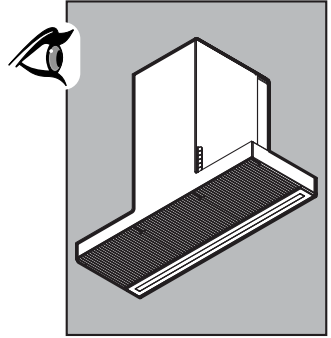
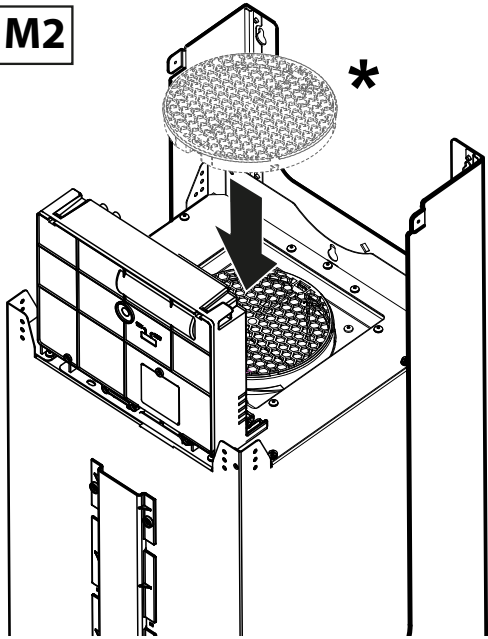
Ø 6"
Ø 152 mm



19b



M2

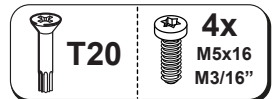
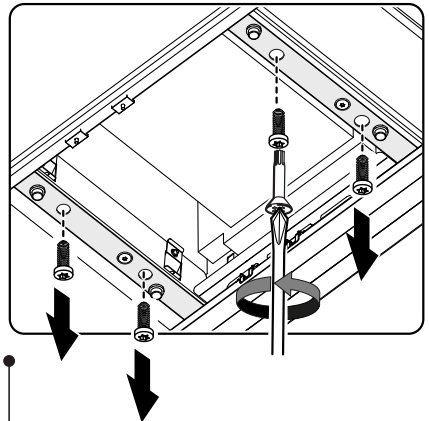
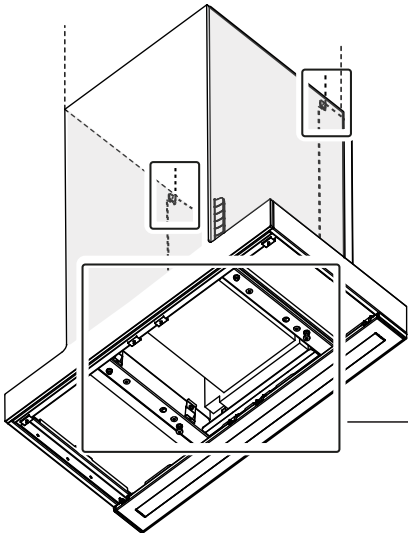


20b

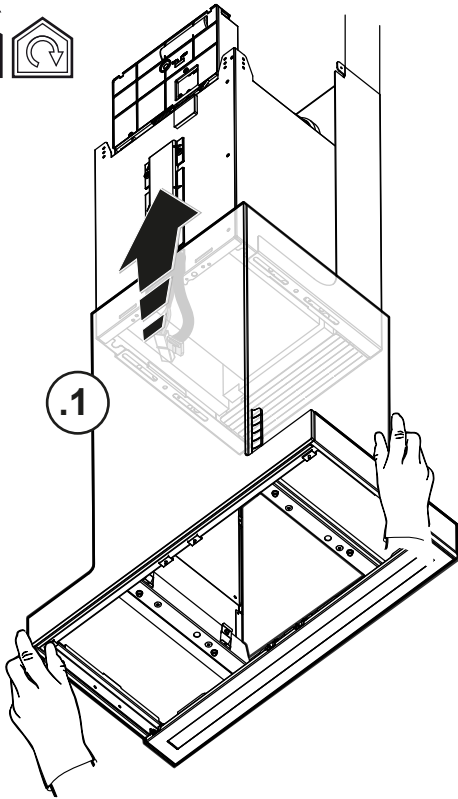


M1

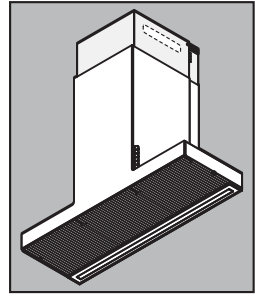
M2



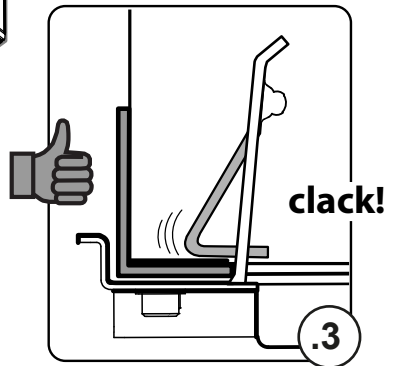
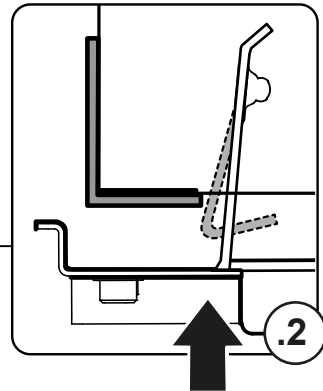
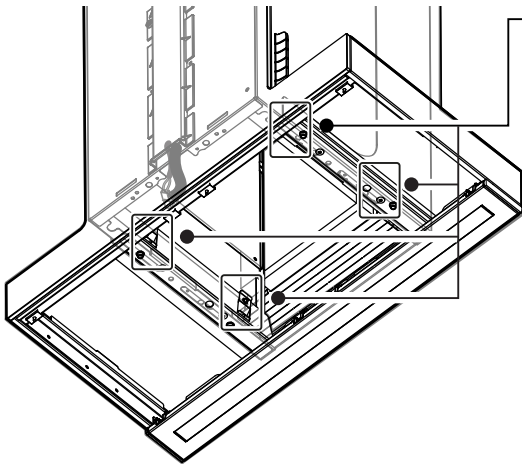
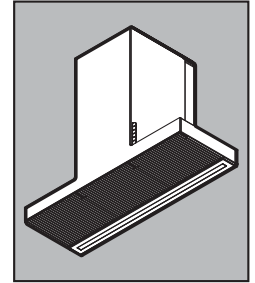
21



M1



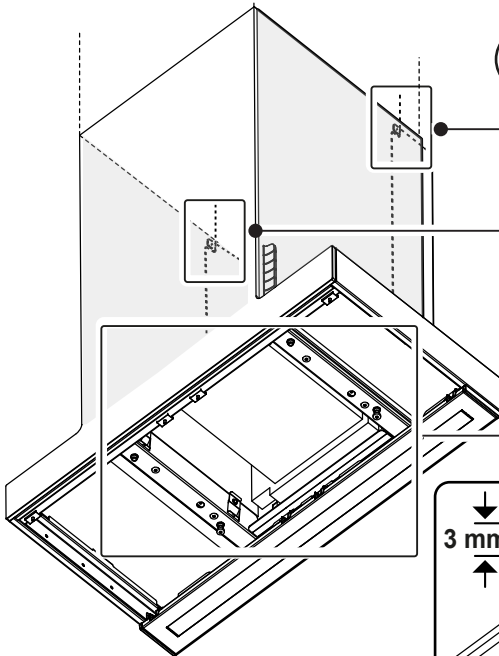
M2



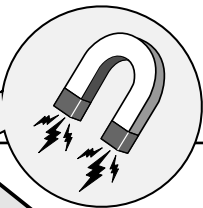


M1

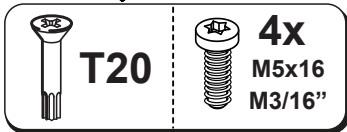
M2



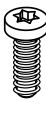
.4



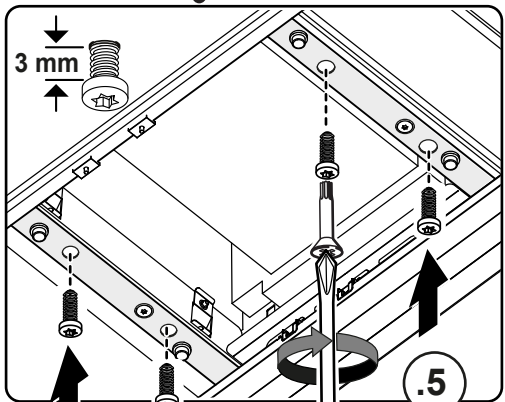
click!



T20



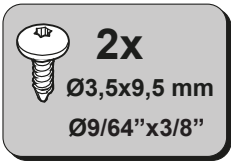
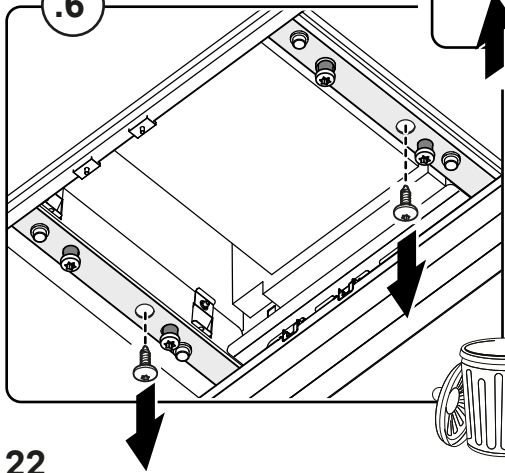
4x
M5x16
M3/16"



3 mm

.5

.6



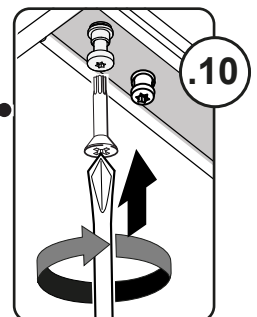
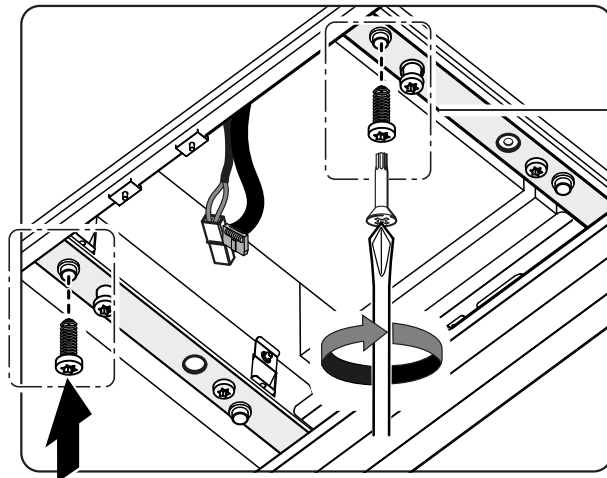
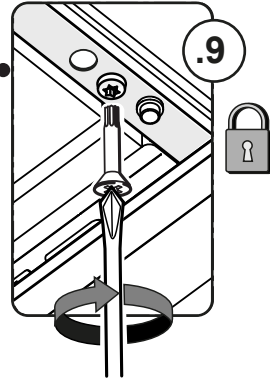
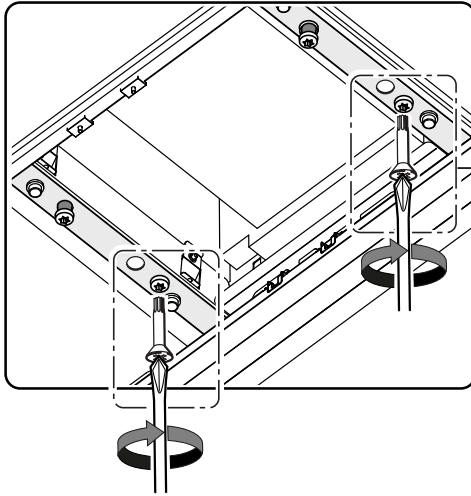
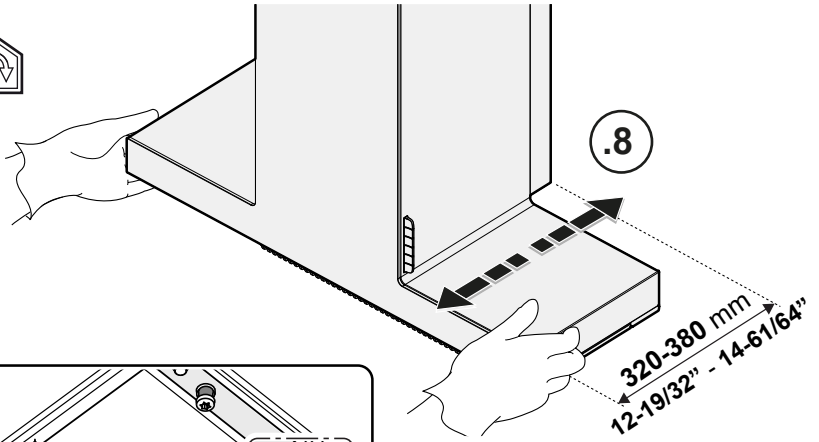
2x

Ø3,5x9,5 mm
Ø9/64" x 3/8"



M1

M2

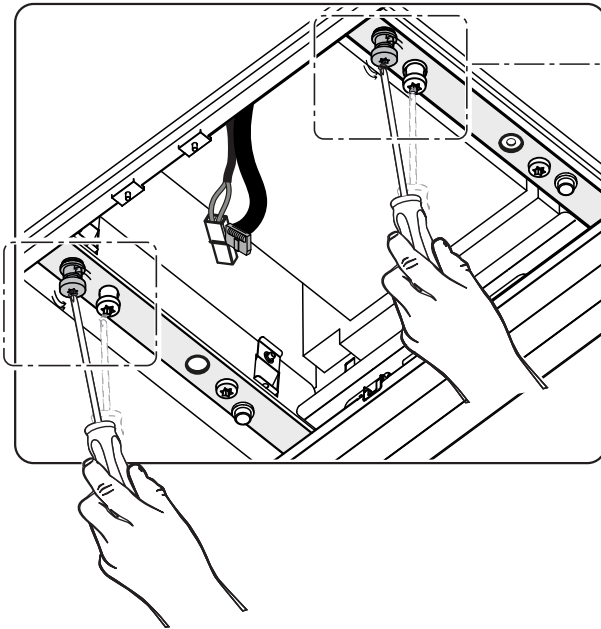
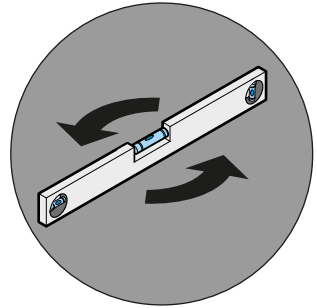
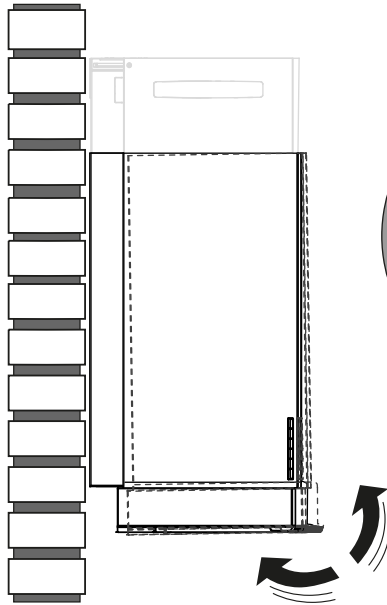


2x
M5x16
M3/16"x5/8"

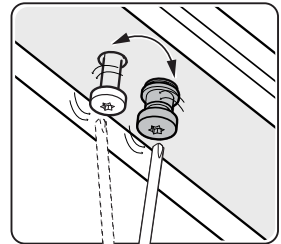


M1

M2



.10.1



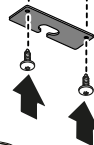
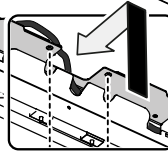
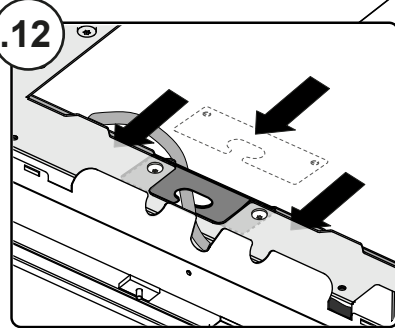
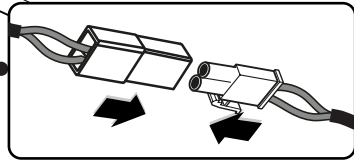
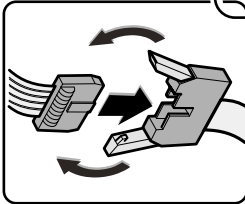
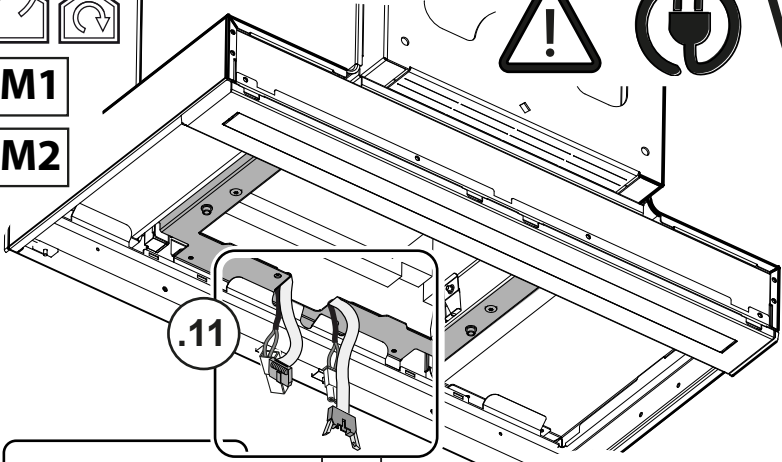


M1

M2

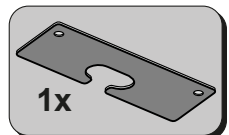


V-Hz



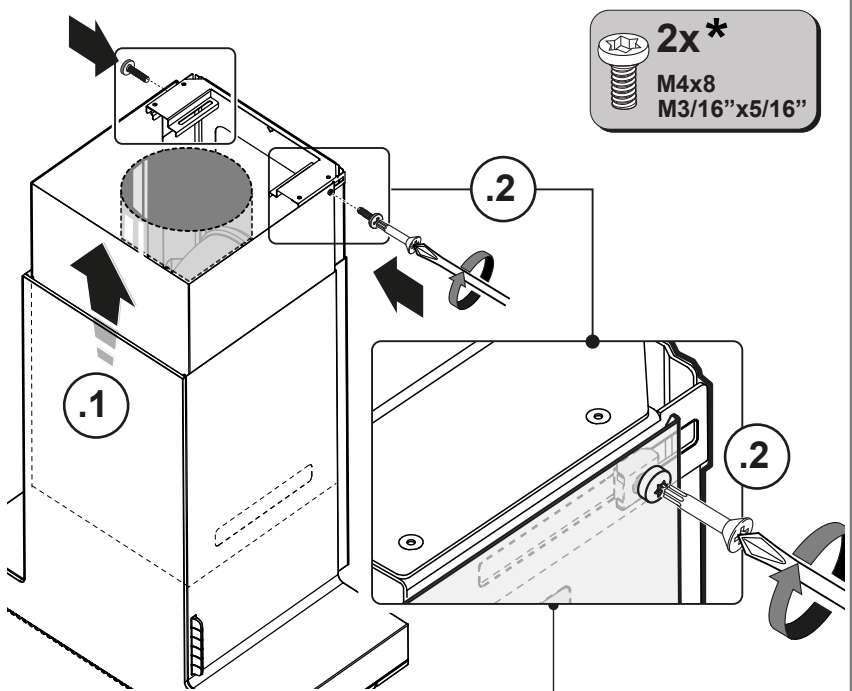
25

2x
Ø3,5x9,5 mm
Ø9/64"x3/8"





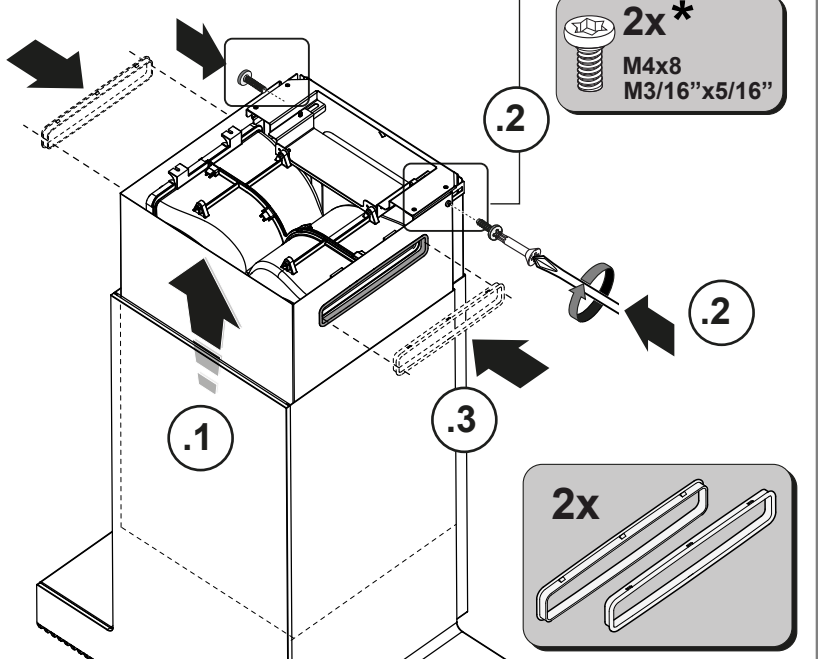
M1



26.1



M1

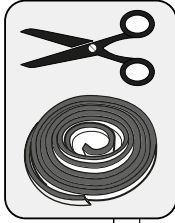


26.2

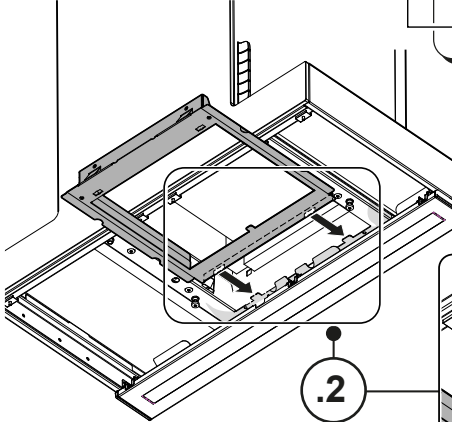
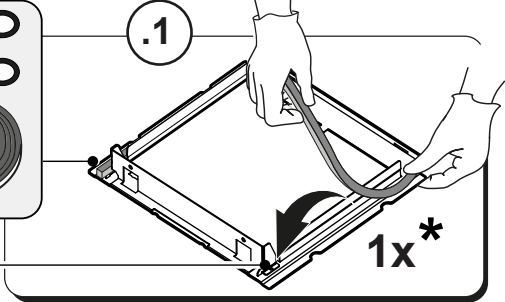


M1

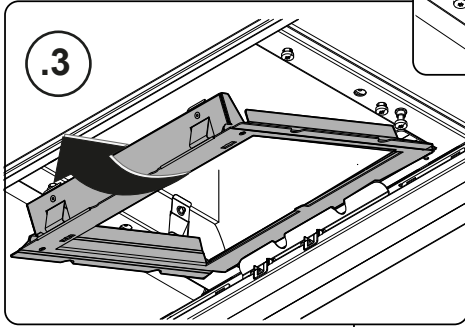
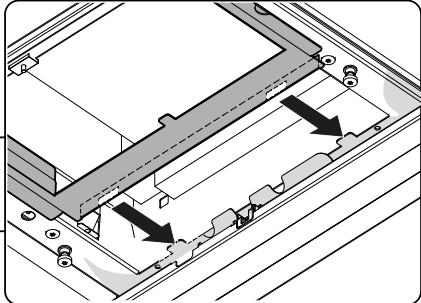
M2



.1



.2



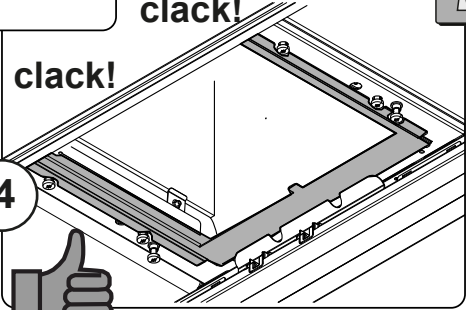
.3

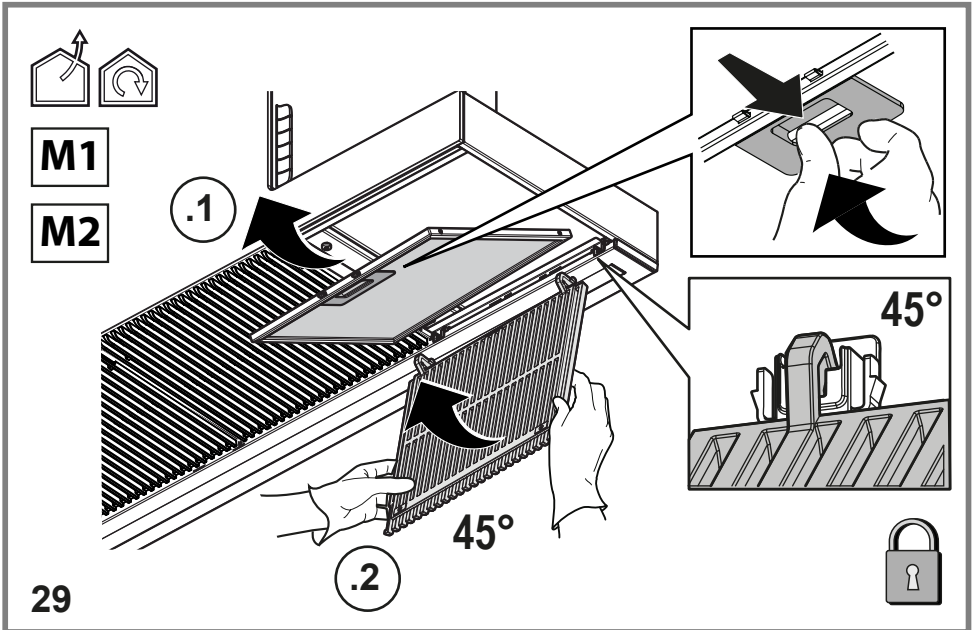
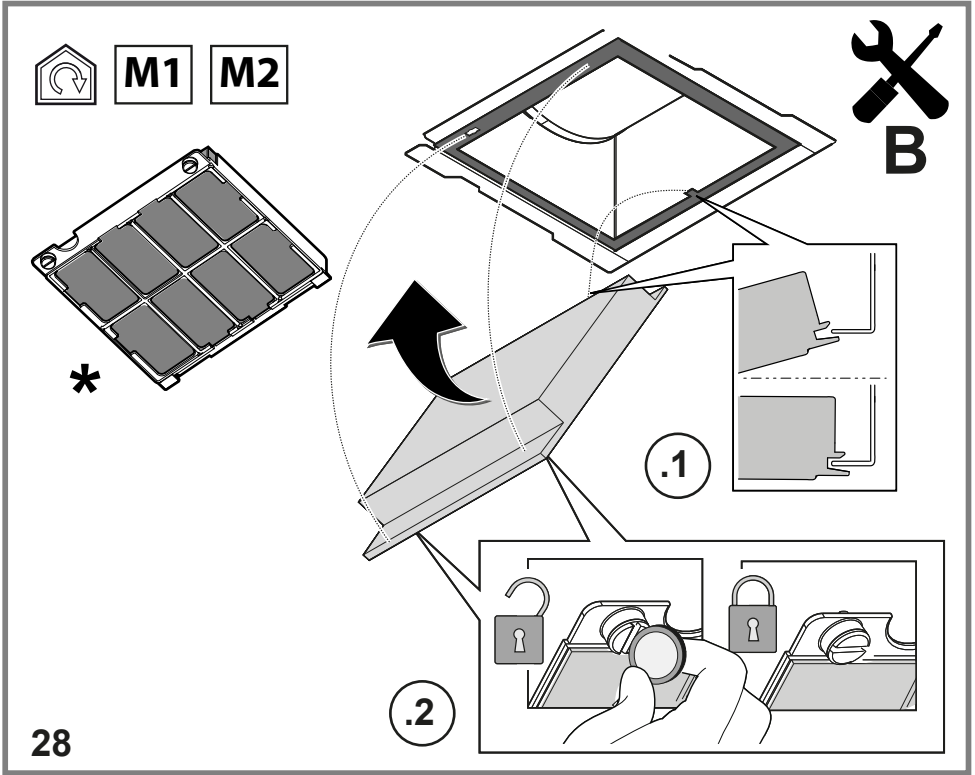
clack!



clack!

.4





elica[®]



LIB0204934 Ed. 07/24