



# RISERVA *Series*

A Sophisticated Design and a Seamless Construction

 **elica**  
aria nuova

# —| INTRODUCING: RISERVA Series

# RISERVA PLUS FEATURES



## DOOR OPEN ALARM

To save energy and ensure proper preservation of your beverages, all Elica Undercabinet Refrigeration products come with a Door-Open Alarm, that will repeatedly beep when the door has been left ajar for longer than 5 minutes.



## EPC TECHNOLOGY

Double air duct cooling system. Elica's Intelligent System comes with sensors that deliver a precise and consistent temperature & humidity evenly throughout the entire compartment so that all stored bottles are preserved under the same conditions.



## HIGH EFFICIENCY CARBON FILTERS

Elica's advanced Carbon Filters remove odors and other gaseous pollutants from the air, ensuring fresh and pure environment.



## CONCEALED HINGE

Door hinges are hidden within the door and do not extend above the top of the door, allowing for a cleaner, more refined appearance, plus enabling the refrigerator to fit tighter within cabinetry.



## QUIET OPERATION

A speed-control motor, reduces exterior sound levels, while offering high ventilation performance to keep the constant interior temperature and dampening any possible vibration that could disturb the preservation of the wine or beverages.



## ECO-MODE

Sustainable and environmentally friendly: Eco-Mode will maintain optimum interior temperature while saving energy consumption by turning the lights OFF.

# RISERVA Series

A BRILLIANT SOLUTION THAT MEETS ALL YOUR NEEDS



## OPTIMUM PRESERVATION

This is ensured thanks to the natural Beechwood shelves, highest quality components that reduce vibration.

## TEMPERED GLASS DOORS

Resistant doors that come with a UV double layered tempered glass that is also Argon-Filled to help radiate the light beams for a better perseverance. With a tubular door handle and an exclusive concealed hinge design that delivers a more refined appear and tighter fit within cabinetry.

## PLUS FEATURES

All of our units count with additional features as are Anti Vibration Technology, Anti Damping System and a Sabbath Mode.

# EBS52SS1

BEVERAGE & WINE CENTER | SINGLE DOOR DUAL ZONE



# PRESERVE A VARIETY OF BEVERAGES AND WINES TO THEIR **OPTIMUM** FRESHNESS

**RISERVA - EBS52SS1 24"**, features two different cooling zones, adjustable to different temperatures to preserve a variety of beverages and wine to their optimum freshness.



## FINISHES



### 304 STAINLESS STEEL + TEMPERED GLASS

An elegant combination of materials, a 304 stainless steel with tempered glass door and a cabinet & interior finish in a sophisticated black color, plus a Beechwood rack.

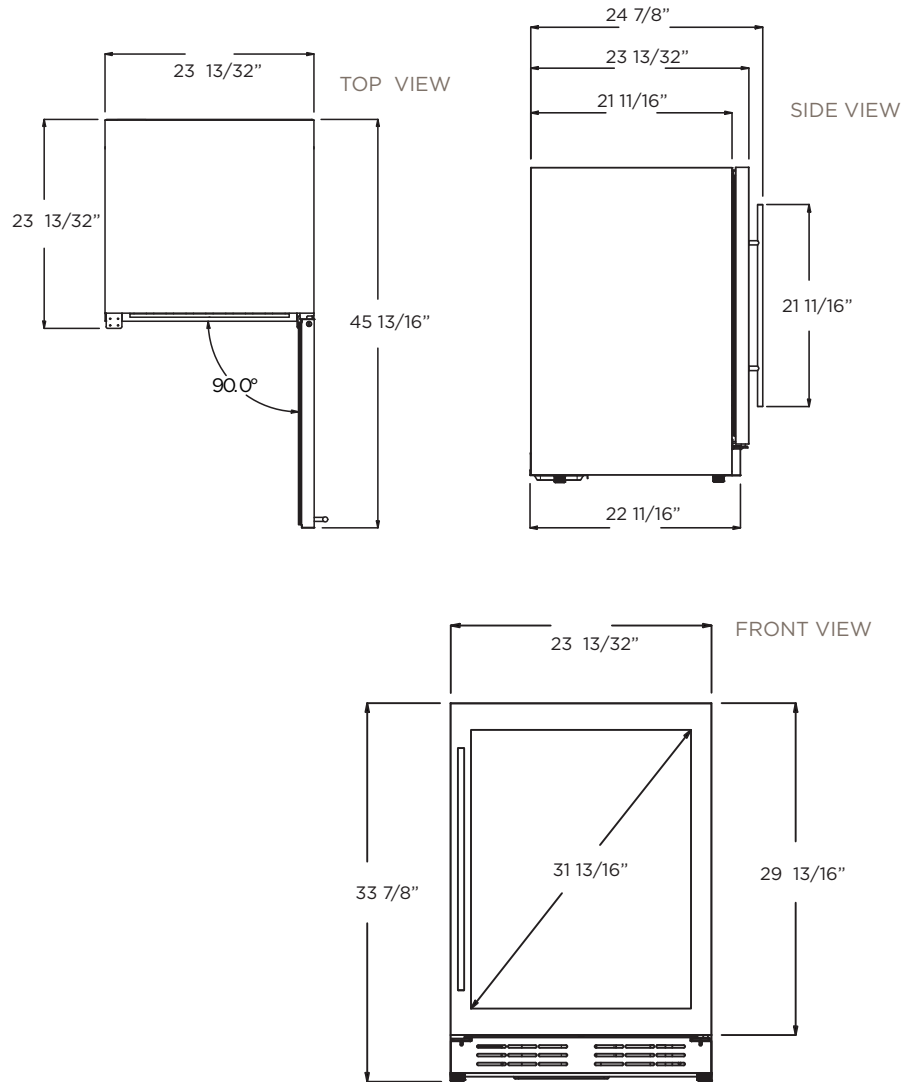
## COOLING ZONES



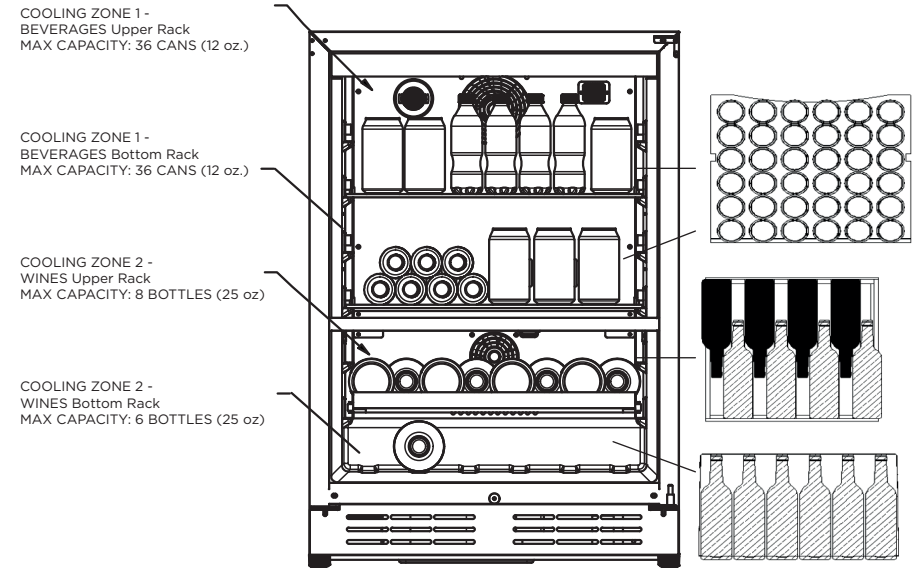
### COOLING ZONE 1 - BEVERAGES COOLING ZONE 2 - WINE

Features two different cooling zones, adjustable to different temperatures, it's first zone with a capacity of 72 cans (12 oz cans) from 34 to 50°F and a second zone with a capacity of 14 bottles of wine (25 oz) from 40 to 64°F.

# LINE DRAWING



# STORAGE CAPACITY



**TOTAL MAX CAPACITY: 72 CANS + 14 BOTTLES**  
 \*Do not exceed Max Capacity, avoid product damage and losing warranty validation

# EBF52SS1

BEVERAGE & WINE CENTER | FRENCH DOOR DUAL ZONE



# THE **ELEGANCE** OF A WINE CELLAR, FUSED WITH THE CONVENIENCE OF A BEVERAGE CENTER

A paradigm of sophisticated design and seamless construction with French doors that create a classic and convenient design, these doors feature tempered glass and UV layers for a fine beverage center.



## FINISHES



### BLACK CABINET AND INTERIOR FINISH

A sophisticated black combined with a 304 stainless steel plus a fine tempered glass. Adjustable tempered glass shelves with metal front trim on the left side and the right side with beechwood shelves with a metal front trim.

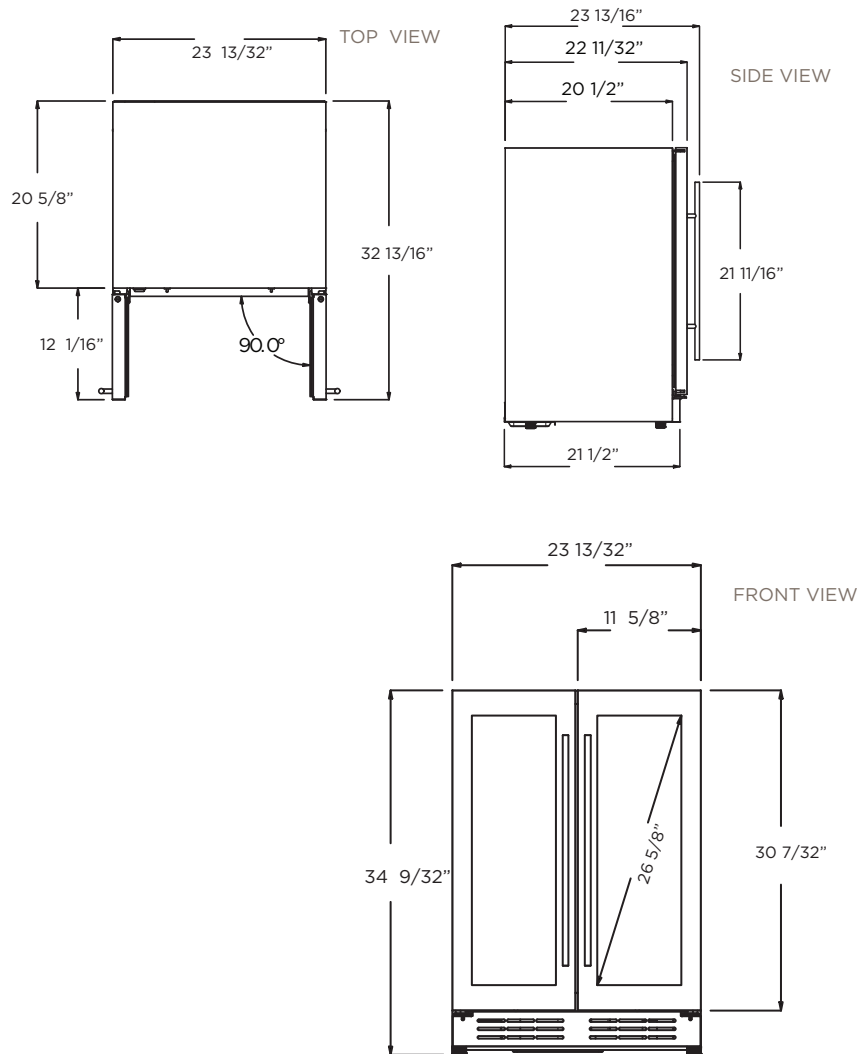
## COOLING ZONES



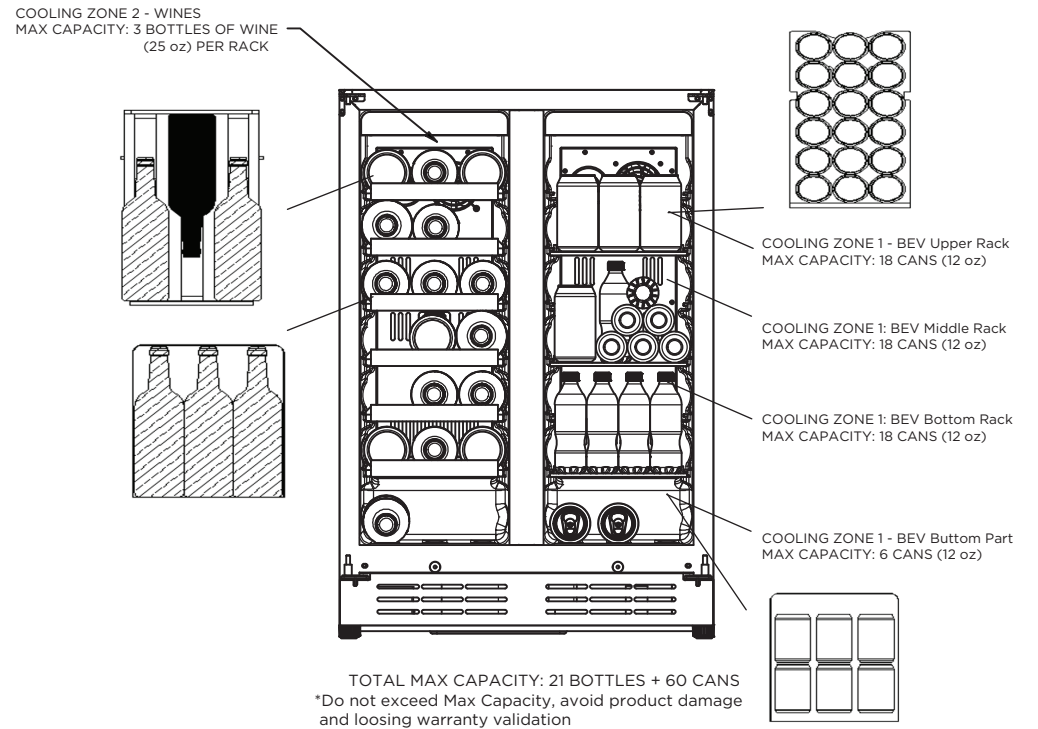
### COOLING ZONE 1 - BEVERAGES COOLING ZONE 2 - WINE

An incredible capacity for around 60 cans (25 oz) and 21 bottles of wine (25 oz) both zones with a temperature range from 34° to 68°F.

# LINE DRAWING



# STORAGE CAPACITY



# EWS52SS1

WINE CELLAR | SINGLE DOOR DUAL ZONE



# NATURAL BEECHWOOD SHELVES ARE A FULL EXTENSION FOR **EASY AND SAFE** ACCESS TO EACH BOTTLE

Designed to preserve a variety of quality wines and maintain their aromas and flavors under optimal conditions. With argon filled glass doors to help radiate back the light beams and heat fluctuations.



## FINISHES

### STYLISH LOOK WITH TUBULAR HANDLE



A fine black for both the cabinet and interior, a double panel tempered glass door & UV coated and an amazing 304 stainless steel look with tempered glass.

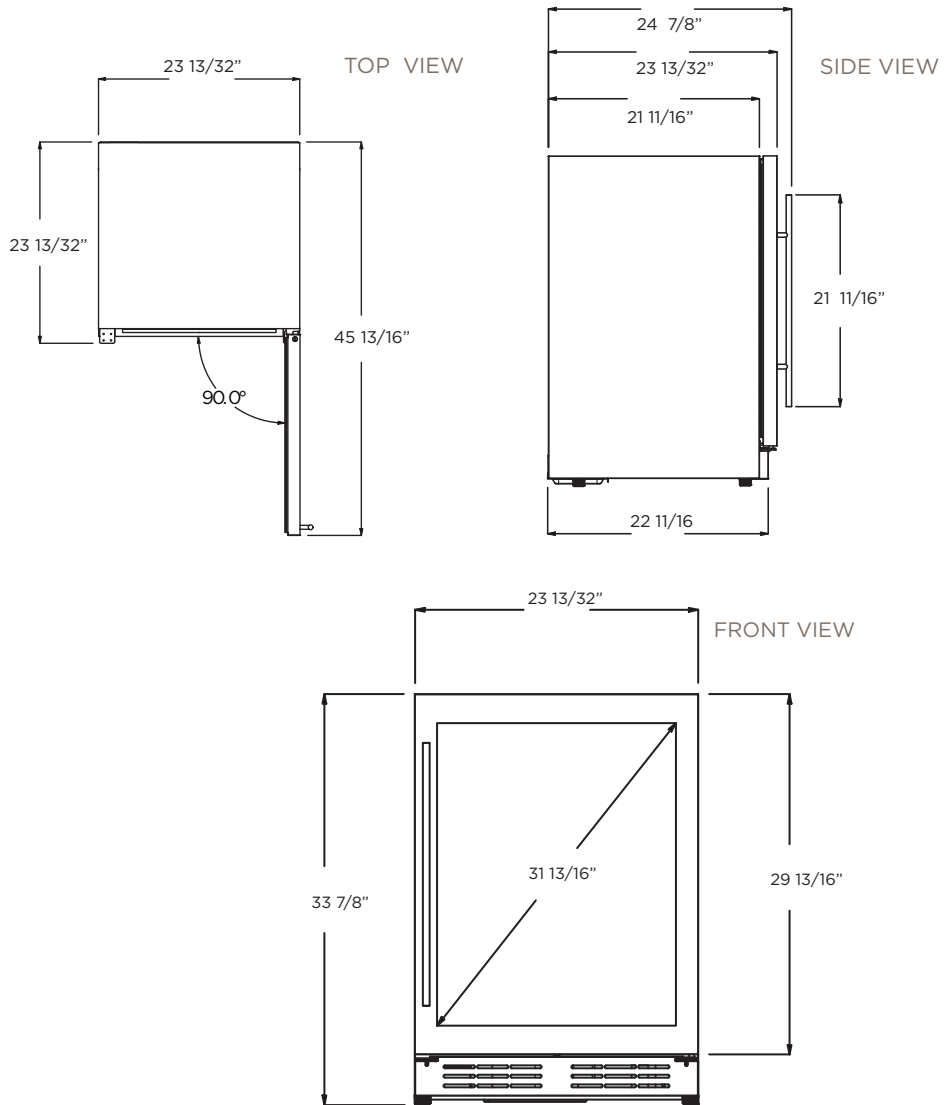
## COOLING ZONES

### COOLING ZONE 1 - WHITE WINES COOLING ZONE 2 - RED WINES

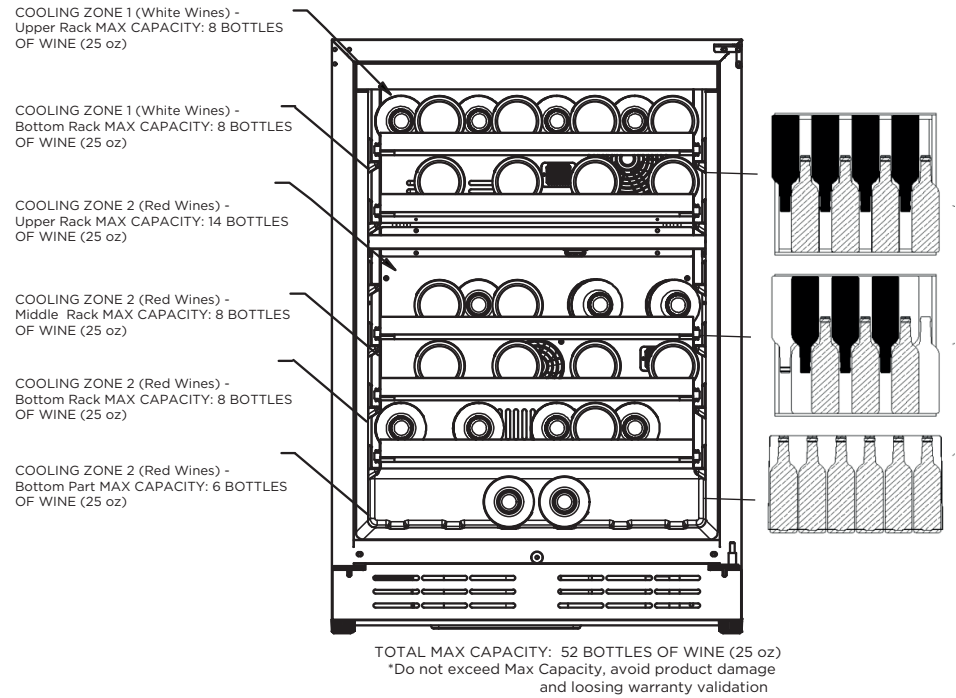


2 racks with the capacity of 16 bottles of White wine (25 oz) from 40 to 50°F and 3 racks with a capacity of 36 bottles of red wine (25 oz) from 50 to 64°F.

# LINE DRAWING



# STORAGE CAPACITY



# EBS51SS1

BEVERAGE CENTER | SINGLE DOOR SINGLE ZONE

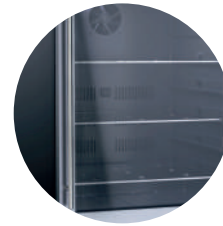


# CREATES THE **DREAM CONDITIONS** FOR YOUR FAVORITE SELTZER DRINKS

A simple but efficient unit for a stylish kitchen with an exclusive concealed hinge design that delivers a more refined appear and tighter fit within cabinetry.



## FINISHES



### 304 STAINLESS STEEL FRAME

304 stainless steel frame with double layered UV resistant glass door and an exclusive concealed hinge design that delivers a more refined appear and tighter fit within cabinetry.

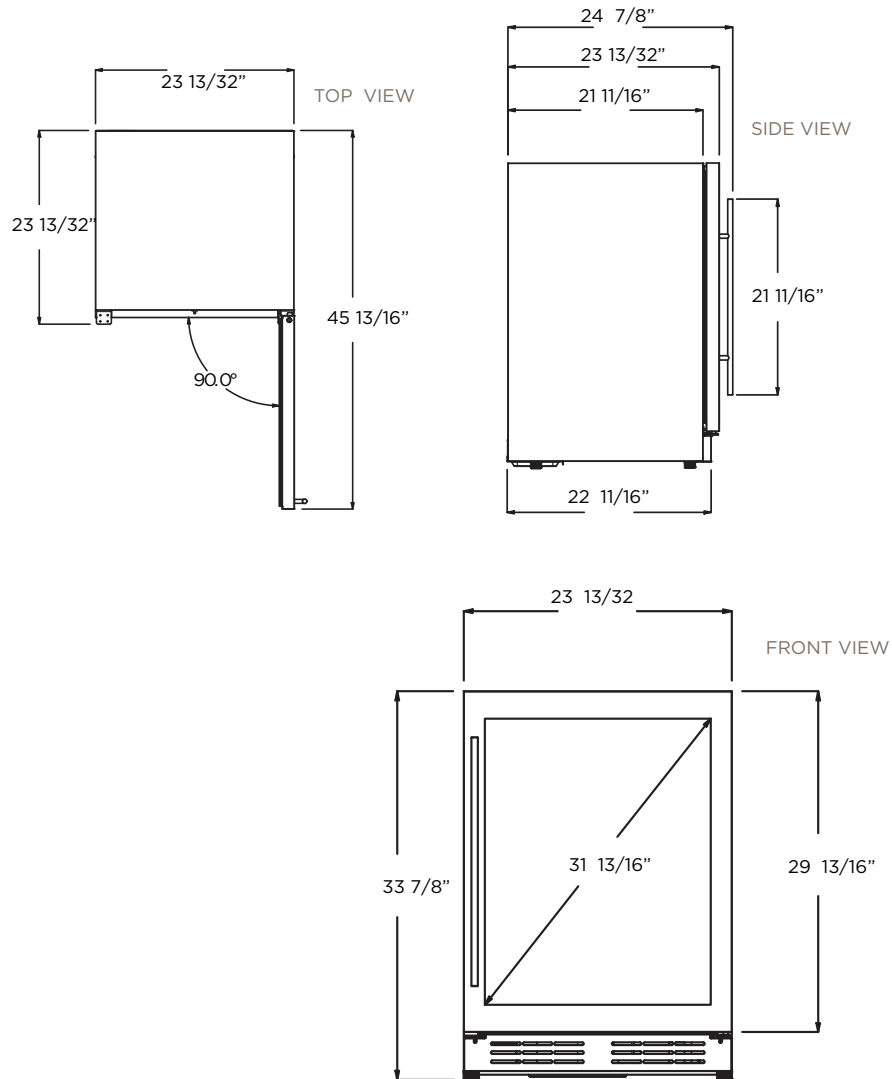
## COOLING ZONES



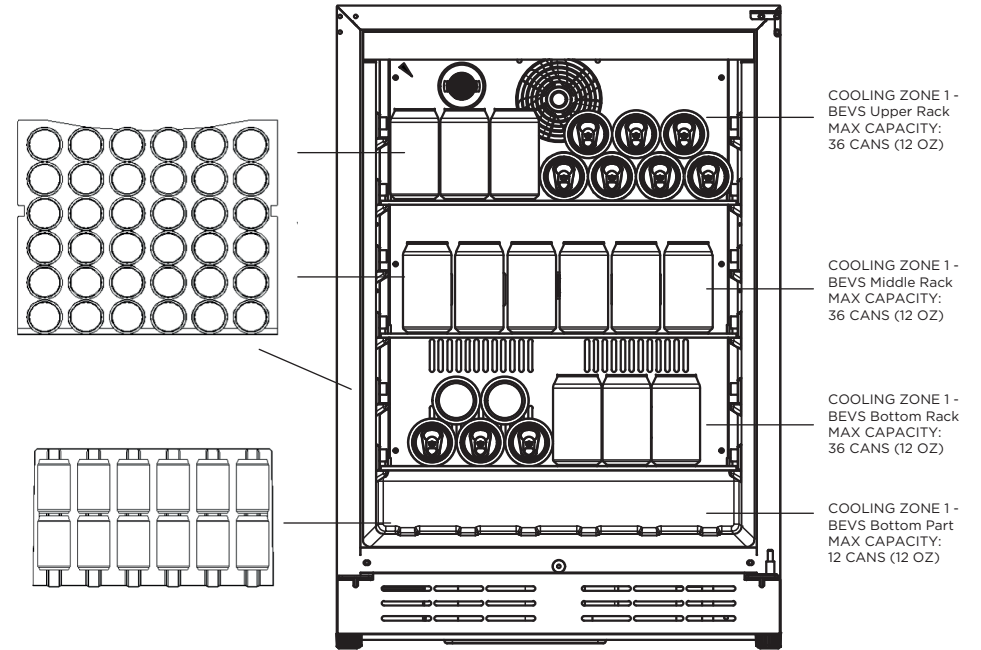
### SINGLE ZONE

With 3 adjustable slide out tempered glass shelves with a metal front trim with a capacity of around 120 cans (12 oz cans) from 34 to 65°F.

# LINE DRAWING



# STORAGE CAPACITY



TOTAL MAX CAPACITY: 120 CANS (12 oz).  
 \*Do not exceed Max Capacity, avoid product damage and losing warranty validation

# EBD51SS1

REFRIGERATION DRAWERS | TWO DRAWERS SINGLE ZONE



# SPECIAL DRAWERS FEATURES



## PANEL READY



Seamlessly integrate your undercounter drawer into your kitchen design by using custom panels that match your cabinetry. Elica's Panel Ready solution allows an easy and fast installation making it a perfect choice for those who value functionality and aesthetics.

## SMART STORAGE



Design that optimizes the space of each drawer, providing a flexible and customizable storage solution for your beverages. With this feature, you can easily accommodate larger items and keep them secure, making it perfect for any modern kitchen. Lower drawer efficiently designed to maximize storage usage.

## A CONVENIENT AND STYLISH WAY TO STORE AND CHILL YOUR BEVERAGES IN ANY **SPACE OF THE HOUSE**

Design to seamlessly integrate style and practicality, a sleek addition to any modern kitchen. Its minimalist design, adorned with a sleek stainless steel front finish, complements various interior aesthetics.



### FINISHES

---



#### STYLISH LOOK WITH TUBULAR HANDLE

A fine black cabinet and 304 Stainless Steel solid doors and designed to be Panel Ready Convertible, making it blend seamlessly into your kitchen cabinetry.

### DRAWERS

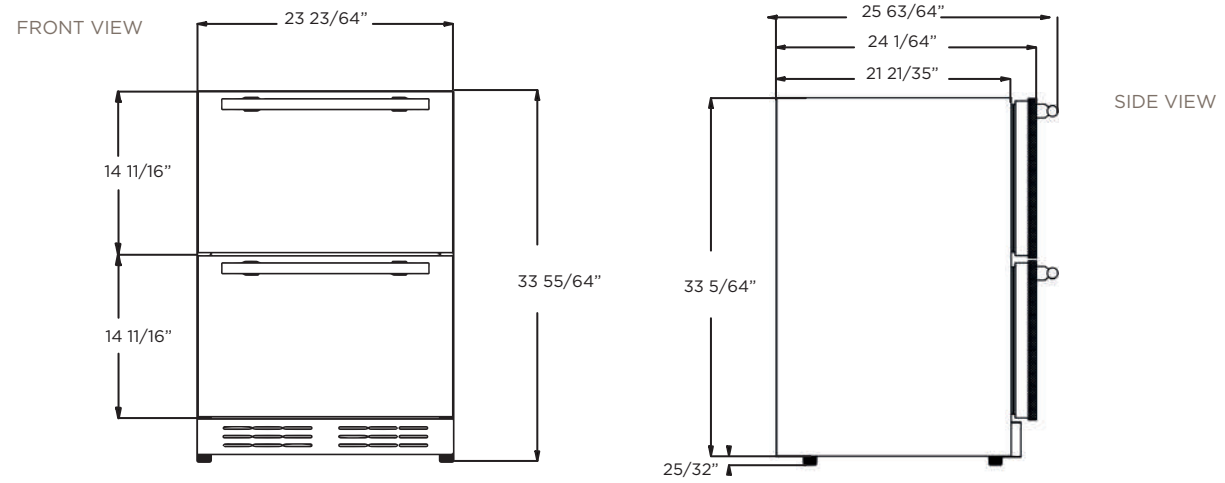
---



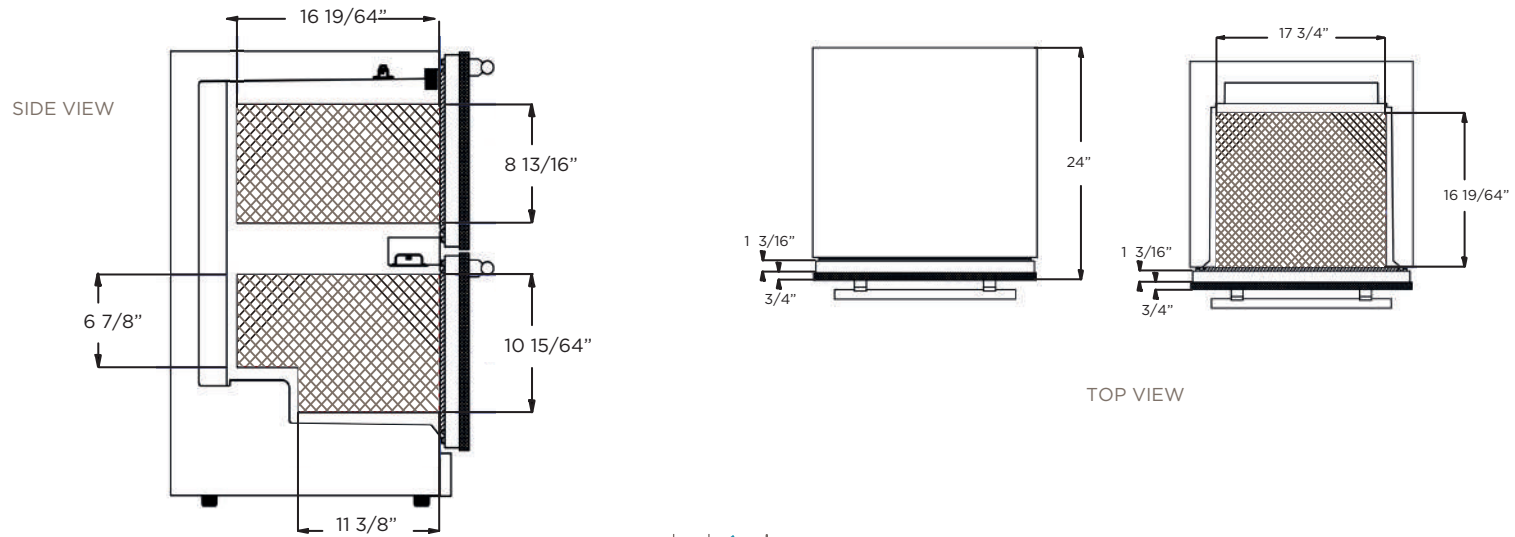
#### TOP AND BOTTOM DRAWER

The top drawer includes 2 adjustable stainless steel dividers with the capacity of 54 cans (12oz). The bottom drawer includes 1 fixed tubular divider with the capacity of 59 cans (12 oz). Easy access to temperature adjustments ranging 34° to 64° F.

# LINE DRAWING



## STORAGE CAPACITY





LEARN MORE OF RISERVA SERIES

# EARN 3 YEARS OF WARRANTY



TWO (2) YEARS PARTS & IN-HOME LABOR.  
EARN AN ADDITIONAL ONE (1) YEAR OF  
PARTS & IN-HOME LABOR BY REGISTERING  
ON [ELICA.COM](http://ELICA.COM)

For valid warranty extension, register within 3  
months from purchase.  
For USA & Canada Users Only.





[elica.com](http://elica.com)

