

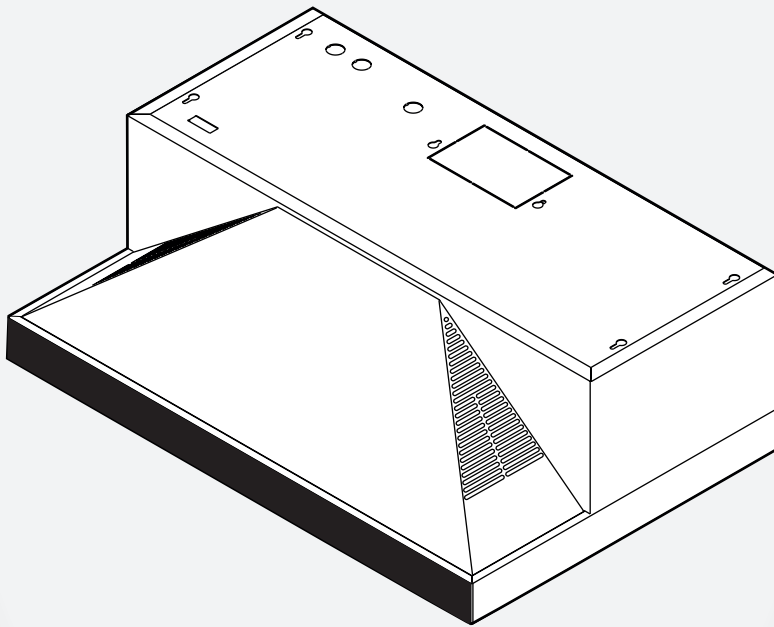
# Use, Care, and Installation Guide

---

Guide  
d'utilisation,  
d'entretien et  
d'installation

---

Guía de  
instalación, uso y  
mantenimiento



READ AND SAVE THESE  
INSTRUCTIONS

---

LISEZ CES  
INSTRUCTIONS ET  
CONSERVEZ-LES

---

LEA Y CONSERVE  
ESTAS INSTRUCCIONES

**Models:** | EMD530S3  
EMD536S3

**Contents**

Important safety notice..... 3

List of materials..... 4

    Parts supplied ..... 4

    Parts not supplied ..... 4

Dimensions and clearances..... 5

Ducting options and examples..... 5

Installation ..... 8

    Electrical connection..... 10

    Complete the installation..... 10

Description of the hood..... 10

Control..... 10

Maintenance ..... 11

Warranty ..... 12

**APPROVED FOR RESIDENTIAL APPLIANCES  
FOR RESIDENTIAL USE ONLY  
READ AND SAVE THESE INSTRUCTIONS**

**PLEASE READ ENTIRE INSTRUCTIONS BEFORE PROCEEDING.  
INSTALLATION MUST COMPLY WITH ALL LOCAL CODES.**

**IMPORTANT:** Save these Instructions for the Local Electrical Inspector’s use.

**INSTALLER:** Please leave these Instructions with this unit for the owner.

**OWNER:** Please retain these instructions for future reference.

**Safety Warning:** Turn off power circuit at service panel and lock out panel, before wiring this appliance.

**Requirement:** 120 V AC, 60 Hz. 15 or 20 A Branch Circuit.

## ⚠ IMPORTANT SAFETY NOTICE

### ⚠ CAUTION

FOR GENERAL VENTILATING USE ONLY. DO NOT USE TO EXHAUST HAZARDOUS OR EXPLOSIVE MATERIALS OR VAPOURS.

### ⚠ WARNING

TO REDUCE THE RISK OF FIRE, ELECTRIC SHOCK, OR INJURY TO PERSONS, OBSERVE THE FOLLOWING:

- A. Use this unit only in the manner intended by the manufacturer. If you have questions, contact the manufacturer.
- B. Before servicing or cleaning the unit, switch power off at service panel and lock service panel disconnecting means to prevent power from being switched on accidentally.  
When the service disconnecting means cannot be locked, securely fasten a prominent warning device, such as a tag, to the service panel.
- C. Installation work and electrical wiring must be done by qualified person(s) in accordance with all applicable codes & standards, including fire-rated construction.
- D. Sufficient air is needed for proper combustion and exhausting of gases through the flue (Chimney) of fuel burning equipment to prevent back-drafting.  
Follow the heating equipment manufacturers guideline and safety standards such as those published by the national fire protection association (NFPA), the american society for heating, refrigeration and air conditioning engineers (ASHRAE), and the local code authorities.
- E. When cutting or drilling into wall or ceiling, do not damage electrical wiring and other hidden utilities.
- F. Ducted fans must always be vented to the outdoor.

### ⚠ CAUTION

To reduce risk of fire and to properly exhaust air, be sure to duct air outside - do not vent exhaust air into spaces within walls, ceilings, attics, crawl spaces, or garages.

### ⚠ WARNING

TO REDUCE THE RISK OF FIRE, USE ONLY METAL DUCT WORK.

Install this hood in accordance with all requirements specified.

### ⚠ WARNING

To reduce the risk of fire or electric shock, do not use this hood with any external solid state speed control device.

### ⚠ WARNING

TO REDUCE THE RISK OF A RANGE TOP GREASE FIRE.

- a) Never leave surface units unattended at high settings. Boilovers cause smoking and greasy spillovers that may ignite. Heat oils slowly on low or medium settings.
- b) Always turn hood ON when cooking at high heat or when flambeing food (I.e. Crepes Suzette, Cherries Jubilee, Peppercorn Beef Flambe').
- c) Clean ventilating fans frequently. Grease should not be allowed to accumulate on fan or filter.
- d) Use proper pan size. Always use cookware appropriate for the size of the surface element.

### ⚠ WARNING

TO REDUCE THE RISK OF INJURY TO PERSONS, IN THE EVENT OF A RANGE TOP GREASE FIRE, OBSERVE THE FOLLOWING:<sup>a</sup>

- a) SMOTHER FLAMES with a close-fitting lid, cookie sheet, or other metal tray, then turn off the gas burner or the electric element. BE CAREFUL TO PREVENT BURNS. If the flames do not go out immediately, EVACUATE AND CALL THE FIRE DEPARTMENT.
- b) NEVER PICK UP A FLAMING PAN - you may be burned.
- c) DO NOT USE WATER, including wet dishcloths or towels - a violent steam explosion will result.
- d) Use an extinguisher ONLY if:
  - 1) You know you have a class ABC extinguisher, and you already know how to operate it.
  - 2) The fire is small and contained in the area where it started.
  - 3) The fire department is being called.
  - 4) You can fight the fire with your back to an exit.

<sup>a</sup>Based on "Kitchen Fire Safety Tips" published by NFPA.

**NOTE:** This appliance is not intended for use by persons (including children) with reduced physical, sensory or mental capabilities, or lack of experience and knowledge, unless they have been given supervision or instruction concerning use of the appliance by a person responsible for their safety.

**NOTE:** Children should be supervised to ensure that they do not play with the appliance.

### ⚠ CAUTION

Automatically Operated Device - To Reduce The Risk Of Injury Disconnect From Power Supply Before Servicing.

If provided with an electrical plug, connect the hood to a receptacle that complies with current regulations and placed in an accessible position. Where an electrical plug is not provided (direct connection to electrical network) or the plug will not be in an accessible position after installation, place an approved bipolar switch in accessible position that provides full disconnection under overvoltage category III conditions, in accordance with local wiring rules.

# LIST OF MATERIALS

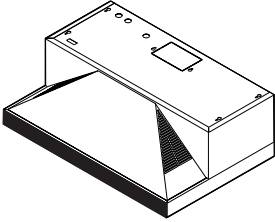





Removing the packaging.

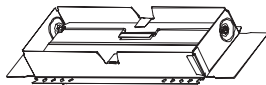
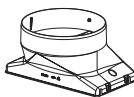
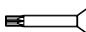
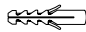


**⚠ CAUTION**

Remove carton carefully, wear gloves to protect against sharp edges.

**⚠ WARNING**

Remove the protective film covering the product before putting into operation.

Supplied Part	Pieces
 <p>Hood assembly and LED lamps already installed</p>	1
 <p>5.4x75 mm</p>	6
 <p>5x45 mm</p>	6
 <p>4x8 mm</p>	4
 <p>4.5x13 mm</p>	4
 <p>3.5x9.5 mm</p>	3

Supplied Part	Pieces
 <p>Rectangular duct 3 1/4" x 10" (8.3 x 25.4 cm) with back draft dampers</p>	1
 <p>6" round air transition</p>	1
 <p>Torx 20 adapter</p>	1
 <p>8x40 mm</p>	6
 <p>10x60 mm wall anchors</p>	6
 <p>Ø 6.4x18 mm washers</p>	2

Parts not supplied

**Tools/Materials required**

- Level
- Drill with 1/4" (3.0 cm), 1/8" (3.0 mm), 1/16" (4.8 mm) drill bits
- Pencil
- Wire stripper or utility knife
- Tape measure or ruler
- Pliers
- Caulking gun and weatherproof caulking compound
- Vent clamps
- Saber or keyhole saw
- Metal snips
- Screwdrivers:
  - Phillips
  - Flat-blade
  - Torx #10

**Optional accessories and consumable parts**

KIT	# Part
Charcoal filter replacement Kit	KIT02667

**Location requirements:**

**IMPORTANT:** Observe all governing codes and ordinances. Have a qualified technician install the range hood. It is the installer's responsibility to comply with installation clearances specified on the model/serial rating plate. The model/serial rating plate is located inside the liner behind the filter on the left wall of the range hood.

Range hood location should be away from strong draft areas, such as windows, doors, and strong heating vents. Cabinet opening dimensions that are shown must be used. Given dimensions provide minimum clearance. Consult your cooktop/ range manufacturer installation instructions before making any cutouts. Grounded electrical outlet is required. See "Electrical Requirements" section.

The range hood is factory set for vented installations through the roof or wall. For non-vented (recirculating) installations see "Non- Vented (recirculating) Installation Through the Soffit/Cabinet" in the "Prepare Location" section.

Recirculation Kit Part is available from your dealer or an authorized parts distributor. All openings in ceiling and wall where range hood will be installed must be sealed.

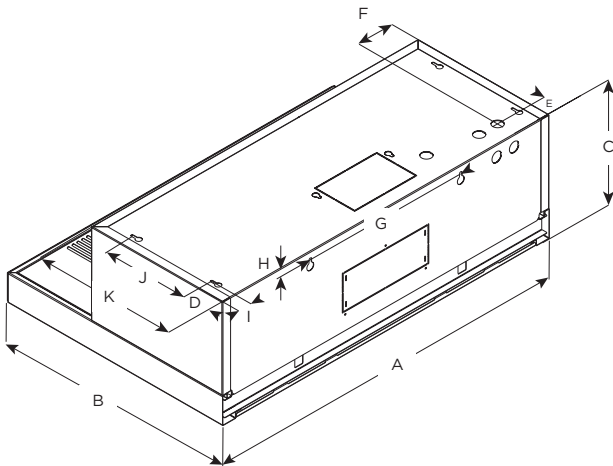
**For mobile home installations**

The installation of this range hood must conform to the Manufactured Home Construction Safety Standards, Title 24 CFR, Part 328 (formerly the Federal Standard for Mobile Home Construction and Safety, title 24, HUD, Part 280) or when such standard is not applicable, the standard for Manufactured Home Installation 1982 (Manufactured Home Sites, Communities and Setups) ANSI A225.1/NFPA 501A, or latest edition, or with local codes.

†<sup>®</sup>TORX is a registered trademark of Saturn Fasteners, Inc.

# LOCATION REQUIREMENTS

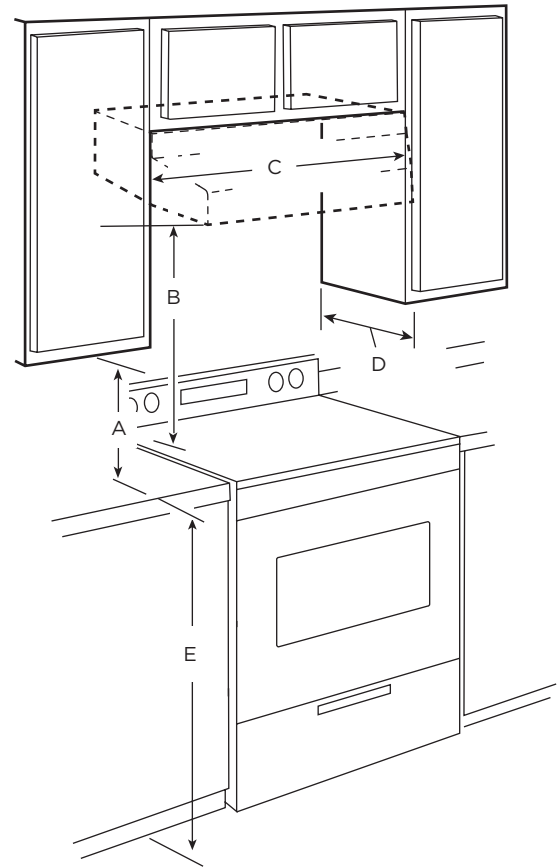
## Product dimensions



	Models	
	EMD530S3	EMD536S3
<b>A</b>	30" (76 cm)	36" (91.2 cm)
<b>B</b>	19 <sup>5</sup> / <sub>8</sub> " (50 cm)	
<b>C</b>	9 <sup>3</sup> / <sub>4</sub> " (25 cm)	
<b>D</b>	2 <sup>3</sup> / <sub>16</sub> " (5.5 cm)	
<b>E</b>	1 <sup>10</sup> / <sub>16</sub> " (4 cm)	
<b>F</b>	3" (7.6 cm)	5 <sup>3</sup> / <sub>4</sub> " (14.6 cm)
<b>G</b>	13 <sup>13</sup> / <sub>16</sub> " (35 cm)	
<b>H</b>	5 <sup>8</sup> / <sub>16</sub> " (1.6 cm)	
<b>I</b>	1 <sup>3</sup> / <sub>16</sub> " (3 cm)	
<b>J</b>	7 <sup>1</sup> / <sub>4</sub> " (18.4 cm)	
<b>K</b>	12" (30.5 cm)	

For gas range installation: Mount this hood so that the bottom edge is at minimum 27"(68.6 cm) above the cooking surface.  
For electric range installation: mount this hood so that the bottom is not less than 24"(61 cm).

## Installation clearances



- A. 18" (45.7 cm) min. clearance - upper cabinet to countertop
- B. 24" (61 cm) min. for electric cooking surfaces  
27" (68.6 cm) min. for gas cooking surfaces  
36" (91.4 cm) suggested max. - bottom of range hood to cooking surface
- C. 30" or 36" (76.2 cm or 91.4 cm) min. cabinet opening width
- D. 12" (30.5 cm) cabinet depth
- E. 36" (91.4 cm) base cabinet height

## Ducting Options

- Vent system must terminate to the outdoors, except for no vented (recirculating) installations.
- Do not terminate the vent system in an attic or other enclosed area.
- Do not use a 4" (10.2 cm) laundry-type wall cap.
- Rigid metal vent is recommended. Plastic or metal foil vent is not recommended. The length of vent system and number of elbows should be kept to a minimum to provide efficient performance.

### For the most efficient and quiet operation:

- Use no more than three 90° elbows.
- Make sure there is a minimum of 24" (61 cm) of straight vent between the elbows if more than 1 elbow is used.
- Do not install 2 elbows together.
- Use clamps to seal all joints in the vent system.
- The vent system must have a damper.
- Use caulking to seal exterior wall or roof opening around the cap.
- The size of the vent should be uniform.

## Cold weather installations

An additional back draft damper non return valve should be installed to minimize backward cold air flow and a thermal break should be installed to minimize conduction of outside temperatures as part of the vent system. The damper non return valve should be on the cold air side of the thermal break.

The break should be as close as possible to where the vent system enters the heated portion of the house.

## Makeup air

Local building codes may require the use of makeup air systems when using ventilation systems with greater than specified CFM of air movement. The specified CFM varies from locale to locale.

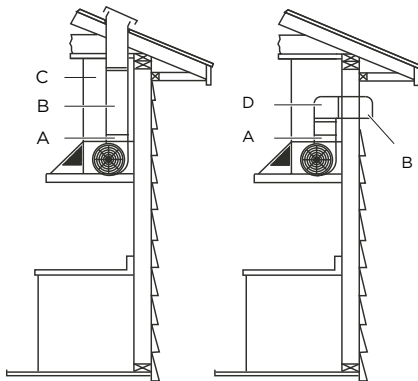
Consult your HVAC professional for specific requirements in your area.

## Venting methods

Vent system can terminate either through the roof or wall. Use 3 1/4" x 10" (8.3 x 25.4 cm) with a maximum vent length of 35 ft (10.7 m) or 6" (15.2 cm) or larger round vent with a maximum length of 50 ft (15.2 m) for vent system. In cases where it should not be possible to discharge cooking fumes and vapour to the outside, purchase Charcoal Filter Replacement Kit.

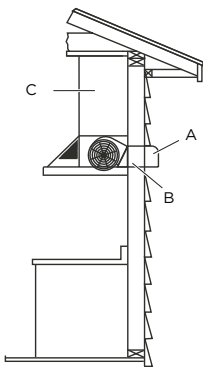
**NOTE:** Flexible vent is not recommended. Flexible vent creates back pressure and air turbulence that gently reduces performance.

### Vertical Discharge



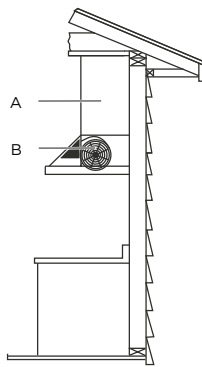
- A. 6" (15.2 cm) round transition
- B. 6" (15.2 cm) duct
- C. Cabinet
- D. 90° elbow

### Horizontal Discharge



- A. 3/4" x 10" (8.3 x 25.4 cm) rectangular transition
- B. 3/4" x 10" (8.3 x 25.4 cm) duct
- C. Cabinet

### Recirculating



- A. Cabinet
- B. Charcoal filters

## Preparation

We recommend that a qualified technician install the range hood. It is the installer's responsibility to ensure the range hood complies with the installation clearances specified for the product.

### Preparing the location

- We recommend you install the vent system before you install the hood.
- Before making cutouts, make sure there is proper clearance within the ceiling or wall for vent fittings.
- Making the cutout to the bottom of the cabinet may be easier to do prior to mounting the cabinet to the wall.

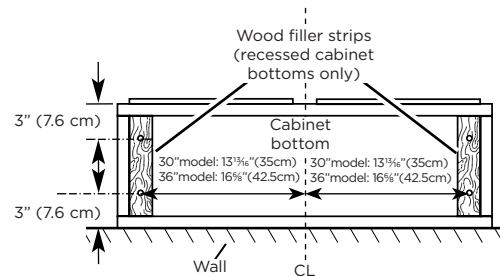
- 1 Disconnect power.
- 2 Determine which venting method to use: roof, wall or non vented.
- 3 Select a flat surface for assembling the range hood. Place a covering over that surface.

### ⚠WARNING:

#### EXCESSIVE WEIGHT HAZARD

**USE TWO OR MORE PEOPLE TO MOVE AND INSTALL RANGE HOOD. FAILURE TO DO SO CAN RESULT IN BACK OR OTHER INJURY.**

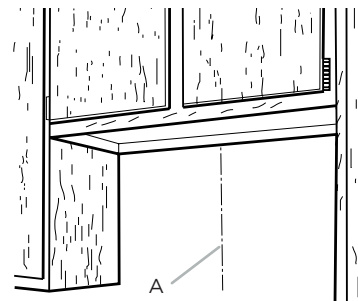
- 4 Using 2 or more people, lift the range hood onto covered surface.
- 5 If cabinet has recessed bottom, add wood filler strips on each side. Install screws to attach filler strips in locations shown.



### Determine wiring hole location

Cut only one 1/4" (3.2 cm) diameter wiring access hole. See Step 2 for wiring hole location instructions.

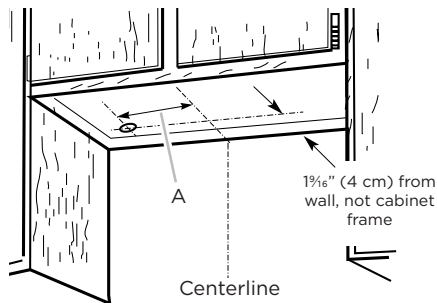
- 1 Determine and clearly mark a vertical centerline on the wall and cabinet in the area the vent opening will be made.



A. Centerline

## 2. To wire through top:

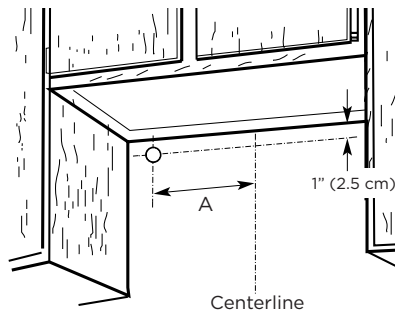
Mark a line distance "A" from the left of the centerline on the underside of the cabinet. Mark the point on this line that is  $1\frac{1}{16}$ " (4 cm) from back wall. Drill a  $1\frac{1}{4}$ " (3.2 cm) diameter hole through the cabinet at this point.



A.  $12$ " (30.5 cm) for  $30$ " (76.2 cm) models  
 $12\frac{1}{4}$ " (31.1 cm) for  $36$ " (91.4 cm) models

## 3. To wire through wall:

Mark a line distance "A" from the left of the centerline on the underside of the cabinet. Mark a point on this line that is  $1$ " (2.54 cm) from back wall. Drill a  $1\frac{1}{4}$ " (3.2 cm) diameter hole through the cabinet at this point.



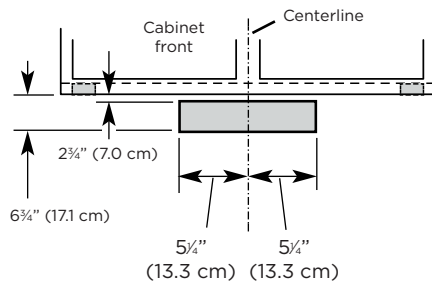
A.  $12$ " (30.5 cm) for  $30$ " (76.2 cm) models  
 $12\frac{1}{4}$ " (31.1 cm) for  $36$ " (91.4 cm) models

## STYLE 1 - CUT OPENINGS FOR $3\frac{1}{4}$ " X $10$ " (8.3 CM X 25.4 CM) RECTANGULAR VENT SYSTEM

### Wall venting

To make a  $4$ " x  $10\frac{1}{2}$ " (10.2 cm x 26.7 cm) rectangle in the wall:

- 1 Draw one line  $2\frac{3}{4}$ " (7.0 cm) and a second line  $6\frac{3}{4}$ " (17.1 cm) below the underside of the cabinet. Extend these lines through the centerline on the back wall.
- 2 Draw lines  $5\frac{1}{4}$ " (13.3 cm) to the right and left of the centerline on the wall. Make sure these lines intersect with the lines you drew in Step 1.
- 3 With the lines you drew as a guide, use a saber or keyhole saw to cut a rectangular opening in the wall for the vent.

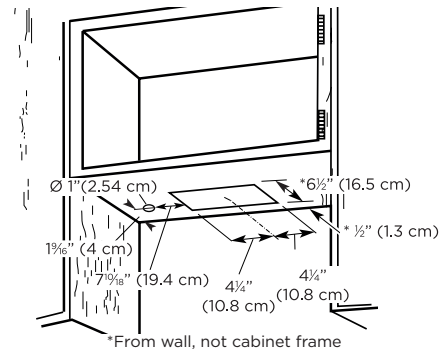


## STYLE 2 - CUT OPENINGS FOR TOP VENT OUTLET (FROM RECTANGULAR TO $6$ " (15.2 CM) ROUND VENT SYSTEM)

### Roof venting

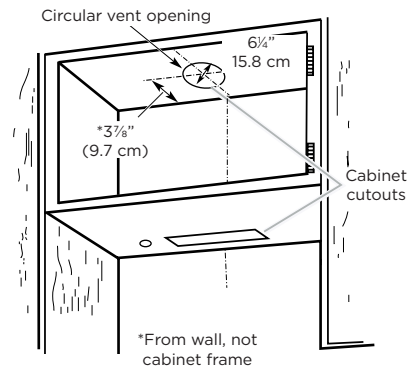
To make a  $6\frac{1}{2}$ " x  $8\frac{1}{2}$ " (16.5 cm x 21.6 cm) rectangle in the cabinet bottom:

- 1 Draw a line  $\frac{1}{2}$ " (1.3 cm) from the back wall on the centerline of the underside of the cabinet, and then draw another line  $6\frac{1}{2}$ " (16.5 cm) from the first line.
- 2 Draw lines  $4\frac{1}{4}$ " (10.8 cm) to the right and left of the centerline on the underside of cabinet.
- 3 With the lines you drew as a guide, use a saber or keyhole saw to cut a rectangular opening for the vent.



### To make a circular vent opening on the underside of the cabinet top:

- 1 Draw a centerline on the underside of the top of cabinet.
- 2 Draw a line  $3\frac{7}{8}$ " (9.7 cm) from the back wall on the underside of the top of cabinet. Make sure the line intersects with the line you drew in Step 1.
- 3 Where the two lines intersect, use a compass or a circle template to draw a  $6\frac{1}{4}$ " (15.2 cm) circle.
- 4 With the circle you drew as a guide, use a saber or keyhole saw to cut the circular vent opening.

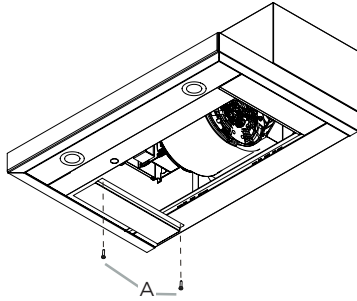


### Install vent system

- 1 Install the vent through the vent opening in cabinet or wall. Complete venting system according to the selected venting method. See "Venting Requirements" section.
- 2 Use caulking to seal exterior wall or roof opening around the cap.

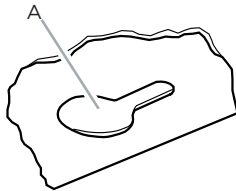
## Installation of the Range Hood

- 1 Remove the grease filters. See the "Maintenance" section.
- 2 Remove foam shipping pad from behind the blower motor.
- 3 Remove the left stainless piece, see image below.



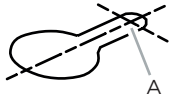
A. Left stainless piece screws (2)

- 4 Lift the range hood up under cabinet and determine its final location by centering beneath cabinet. Mark on the underside of cabinet the location of the 4 keyhole mounting slots on the range hood. Set range hood aside on a covered surface.



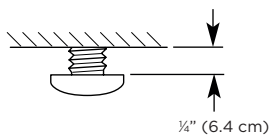
A. Keyhole slot

- 5 Use 1/8" (3 mm) drill bit and drill 4 pilot holes as shown.



A. Drill pilot hole

- 6 Install the 4 - 4.5 x 13 mm mounting screws in pilot holes. Leave about 1/4" (6.4 mm) space between screw heads and cabinet to slide range hood into place.



- 7 Replace the left stainless piece removed previously in step 3.

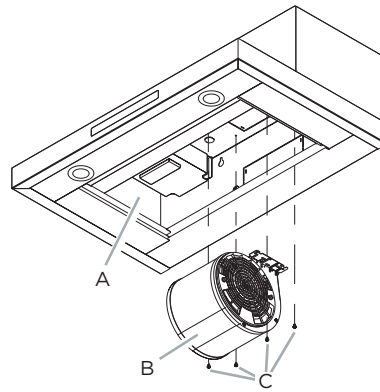
### Vent connector installation

Determine whether the range hood will be installed using either a top or rear vent connection.

### Rear vent transition installation

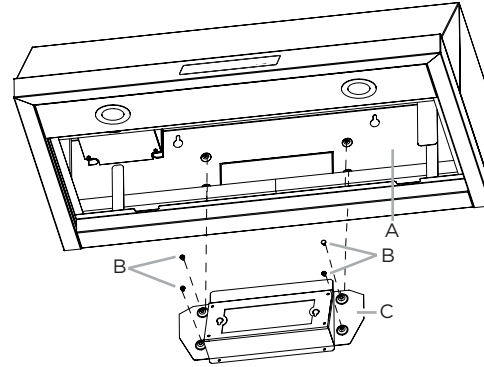
**NOTE:** For rear venting, the blower motor position must be changed. It will need the rear motor mounting bracket that is included with the range hood.

- 1 Place range hood on its back. Fit the vent system over the exhaust outlet.
- 2 Disconnect the blower motor electrical connector from the electrical box connector.
- 3 Using a T20® adapter, remove the 4 screws holding the blower motor in place. Push up on the blower motor to disengage the tabs from range hood cavity back. Remove the blower motor and set it aside.



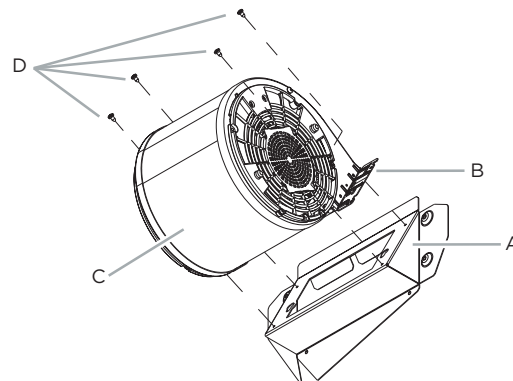
A. Range hood canopy (inside top)  
B. Blower motor  
C. Blower motor mounting screws

- 4 Install the rear blower mounting bracket into the range hood and secure it with the (4) 4 x 8 mm screws.



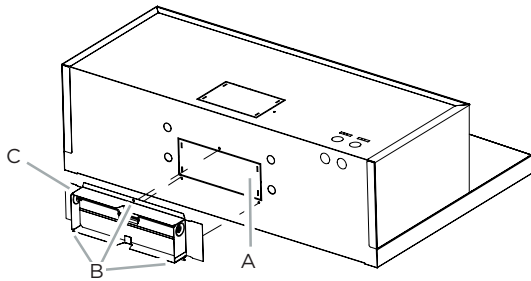
A. Range hood canopy (inside back)  
B. 4 x 8 mm screws (4)  
C. Rear blower motor mounting bracket assembly

- 5 Install the blower motor onto the rear motor mounting bracket (included with the range hood). Engage the motor mounting tabs with the keyhole slots in the rear mounting bracket and push down to secure. Install the 4 screws removed previously and tighten to secure motor bracket.



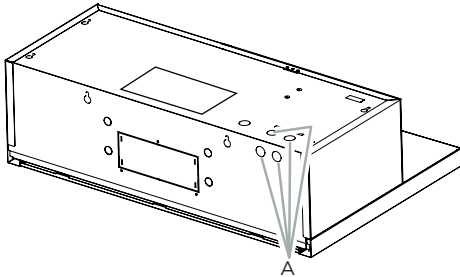
A. Rear motor mounting bracket  
B. Motor mounting tabs (2)  
C. Blower motor  
D. Blower motor mounting screws (4)

- 6 Reconnect blower motor electrical connector to the electrical box connector.
- 7 Remove the rear vent knockout.
- 8 Attach the 3 1/4" x 10" (8.3 cm x 25.4 cm) rectangular vent damper using 3- 3.5 x 95 mm vent transition mounting screws.



A. Rear vent knockout  
 B. Rear rectangular transition knockout mounting screws (3)  
 C. Rear rectangular vent transition

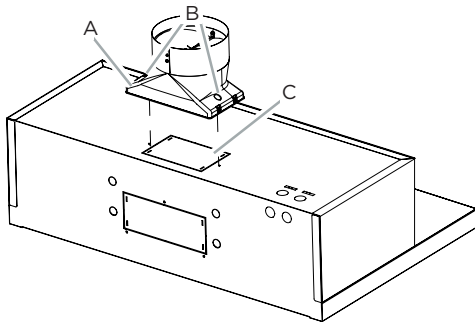
- Remove one of the round knockout from the top or back of the range hood (depending on your wiring location) for the wiring strain relief and install a 1/2" UL listed or CSA approved strain relief.



A. Round knockout

#### Top vent transition installation

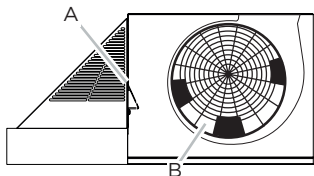
- Remove the top vent knockout.
- Attach the round vent transition damper using 2-3.5 x 9.5 mm vent transition mounting screws.
- Remove tape from damper flap.



A. Top round vent transition  
 B. Top round vent transition mounting screws (2)  
 C. Top vent knockout

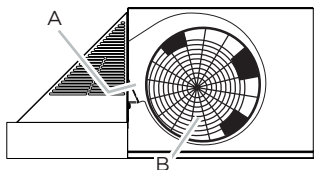
#### For non-vented (recirculating) installations

- Remove the blower mounting screws. Push up on the blower to detach the blower from the mounting plate.



A. Front mounting plate knockout  
 B. Blower

- Rotate the blower and attach to front mounting plate. Install the blower mounting screws

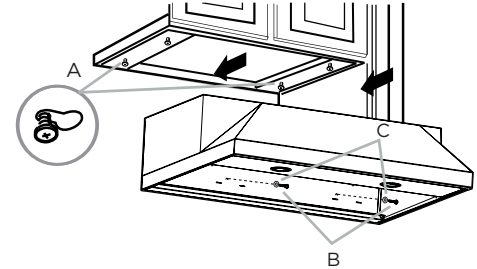


A. Front mounting plate  
 B. Blower

- Install charcoal filters. See the "Maintenance" section.

#### Install range hood to cabinet

- Using 2 people, lift range hood into final location. Feed enough electrical wire through the strain relief to make connections in the terminal box. Tighten the strain relief screws.
- Position the range hood so that the large end of the keyhole slots are over the mounting screws. Then push the hood toward the wall so that the screws are in the neck of the slots. The hood should be against the wall. Tighten the mounting screws, making sure mounting screws are in the narrow neck of the slots.

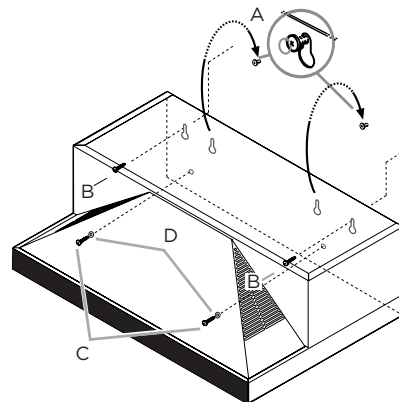


A. 4- mounting screws B. Security screws C. Washers

- Check that damper, if used, rotates up and down freely.
- Connect ventwork to hood. Seal joints with clamps to make secure and airtight.

#### Install range hood to the wall

- Fix the wiring conduit of the hood.
- Slide the hood back against the wall. Tighten the mounting screws. Be sure the screw heads are in the narrow neck of the keyhole slot.

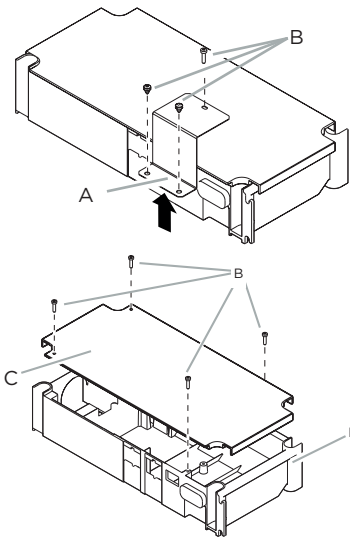


A. Mounting screws  
 B. Upper security screws (Wall Installation)  
 C. Lower security screws (Wall Installation)  
 D. Washers

- Insert 2 screws into the upper security screw locations (see B in the image above). Tighten the screws.
- Insert 2 screws into the lower security screw location (see C in the image above). Tighten the screws.
- Connect the Ductwork to the hood.

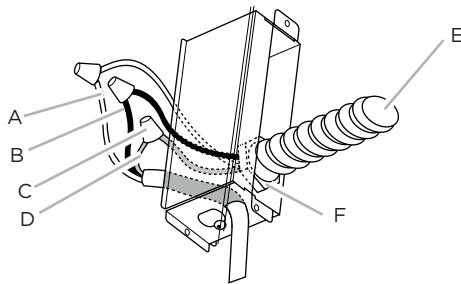
## Electrical Connection

- 1 Disconnect power.
- 2 Remove the bracket and then the terminal box cover.



A. Bracket  
B. Terminal box screws  
C. Terminal box cover  
D. Terminal box

- 3 Remove the knockout in the terminal box cover and install a UL listed or CSA approved ½" strain relief.



A. White wires  
B. Black wires  
C. UL listed wire connectors  
D. Green (or bare) and yellow-green ground wire  
E. Home power supply cable  
F. UL listed or CSA approved ½" strain relief

- 4 Use UL listed wire connectors and connect the black wires (B) together. Use UL listed wire connectors and connect the white wires (A) together.

**⚠ WARNING:**  
**ELECTRICAL SHOCK HAZARD. ELECTRICALLY GROUND BLOWER. CONNECT THE GROUND WIRE TO THE GREEN AND YELLOW GROUND WIRE IN THE TERMINAL BOX. FAILURE TO DO SO CAN RESULT IN DEATH OR ELECTRICAL SHOCK.**

- 5 Connect the green (or bare) ground wire from the home power supply to the yellow-green ground wire (D) in the terminal box using UL listed wire connectors.
- 6 Install the terminal box cover.
- 7 Reconnect the power.

## Complete Installation

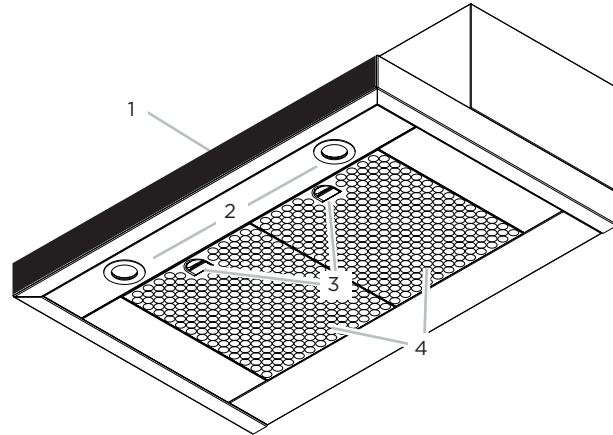
Replace filters. Check operation of the hood.

### If range hood does not operate:

- Check that the circuit breaker is not tripped or the house fuse blown.
- Disconnect power supply. Check that wiring is correct.

To get the most efficient use from your new range hood, read the "Maintenance" section. Keep your Installation Instructions and Use and Care Guide close to range hood for easy reference.

## Description of the Hood



1. Blower and light controls
2. LED lamps
3. Grease filter handle
4. Grease filter


## Control



1. Button ON/OFF motor (stand by)
2. Button for low speed (suction power) selection  
When flashing, it indicates that you must wash the grease filter.
3. Button for medium speed (suction power) selection
4. Button for high speed (suction power) selection
5. Button for intensive speed (suction power) selection  
It lasts 5 minutes then it returns to medium speed (suction power).
6. Button ON/OFF lighting  
Press briefly to switch on or off the lighting of the hood.  
Press and hold to adjust the intensity of the light.

### Indicators of filter saturation:


At regular time intervals, the hood indicates the need of performing filter maintenance.

**Button  on with steady light:**  
Perform grease filter maintenance.

**Button  flashing:**  
Perform activated charcoal filter maintenance.


**NOTE:** Filter saturation signal is visible within the first minute after switching off the hood; within this time, the reset of saturation indicators must be performed.

### Reset of filter saturation indicators:

Press and hold the button .

**Activation of saturation indicator activated charcoal filter:**  
**NOTE:** This operation must be performed with the hood off. This indicator is normally deactivated; press and hold the

button  to activate the function: the button lights up with steady light.

To deactivate the function, press and hold the button , the button lights up flashing.

**Before operating your hood:**

Some States and Provinces of the US & Canada restrict the maximum exhausting airflow of range hoods. Airflow is measured as cubic feet per minute (CFM). These maximum levels allowed are detailed in the local code of your area. Please check local codes to find out if you need to restrict the maximum airflow of your hood. If your local code mandates a maximum airflow level below the maximum airflow of this hood (i.e. 600 CFM), please execute the procedure below to reduce the maximum airflow.



- 1 Turn the motor OFF.
- 2 Press the ON/OFF (1) and Intensive speed (5) buttons together for 3 seconds.  
You will hear a beep and all control lights will illuminate for 3 seconds.  
This action will Disable speeds 3 and 4 and effectively lower the Maximum airflow to > 300 CFM.
- 3 Locate the CFM certification sticker in the hardware pack.
- 4 Peel and Affix this sticker to a visible area in the blower.  
This sticker provides official certification to your local inspector that this hoods maximum airflow has been reduced to > 300 CFM.

Maintenance

**Cleaning**

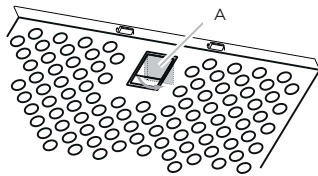
Do not spray cleaners directly to the control while cleaning the Hood. The cooker hood should be cleaned regularly (at least with the same frequency with which you carry out maintenance of the fat filters) internally and externally. Clean using the cloth dampened with neutral liquid detergent. Do not use abrasive products. **DO NOT USE ALCOHOL!**

**⚠️ WARNING:**

Failure to carry out the basic cleaning recommendations of the cooker hood and replacement of the filters may cause fire risks. Therefore, we recommend observing these instructions. The manufacturer declines all responsibility for any damage to the motor or any fire damage linked to inappropriate maintenance or failure to observe the above safety recommendations.

**Grease filter**

Traps cooking grease particles. This must be cleaned once a month using non aggressive detergents, either by hand or in the dishwasher, which must be set to a low temperature and a short cycle. When washed in a dishwasher, the grease filter may discolour slightly, but this does not affect its filtering capacity. To remove the grease filter, pull the spring release handle.



A. Spring release handle

**Replacing a LED lamp**

The LED lights are replaceable by a service technician only. See "Who to contact" section in the warranty for service contact information.

**Charcoal filter**

**⚠️ WARNING**

When used in recirculation mode, To Reduce the Risk of Fire and Shock use only conversion kit Model **KIT02667**.

If the model is not vented to the outside, the air will be recirculated through disposable charcoal filters that help remove smoke and odors.

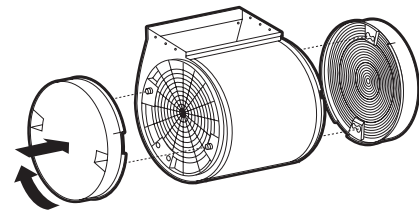
- 1 Cover the grill that protects the suction motor with the carbon filter so that the slots on the filter correspond to the pins on the sides of the motor protection grill.
- 2 Turn the carbon filter clockwise to block them (bayonet fixing).

**NOTE:** Remove the wiring to be able of placing the charcoal filter and then replace it.

**NOTE:** The charcoal filters cannot be cleaned. It should be replaced every 4-6 months (depending on hood usage).

**NOTE:** DO NOT rinse, or put charcoal filters in an automatic dishwasher.

**NOTE:** Charcoal filters are not included with the hood. They must be ordered from your supplier. Order the needed kit specifying your hood model and width size.



# ELICA North America

## TWO-YEAR LIMITED WARRANTY

Register your product in

**elica.com**

and earn a 3<sup>rd</sup> year of factory warranty, covering all parts plus in-home labor.

### TO OBTAIN SERVICE UNDER WARRANTY

Owner must present proof of original purchase date. Please keep a copy of your dated proof of purchase (sales slip) in order to obtain service under warranty.

### PARTS AND SERVICE WARRANTY

For the period of two (2) years from the date of the original purchase, Elica will provide free of charge, non consumable parts or components that failed due to manufacturing defects. During these two (2) years limited warranty, Elica will also provide free of charge, all labor and in-home service to replace any defective parts.

### WHAT IS NOT COVERED

- Damage or failure to the product caused by accident or act of God, such as, flood, fire or earthquake.
- Damage or failure caused by modification of the product or use of non-genuine parts.
- Damage or failure to the product caused during delivery, handling or installation.
- Damage or failure to the product caused by operator abuse.
- Damage or failure to the product caused by dwelling fuse replacement or resetting of circuit breakers.
- Damage or failure caused by use of product in a commercial application.
- Service trips to dwelling to provide use or installation guidance.
- Light bulbs, metal or carbon filters and any other consumable part.
- Normal wear of finish.
- Wear to finish due to operator abuse, improper maintenance, use of corrosive or abrasive cleaning products/pads and oven cleaner products.
- When the product has not been operated in accordance with the accompanying instructions for use.

### WHO IS COVERED

This warranty is extended to the original purchaser for products purchased for ordinary residential use in North America (Including the United States, Guam, Puerto Rico, US Virgin Islands & Canada).

This warranty is non-transferable and applies only to the original purchaser and does not extend to subsequent owners of the product. This warranty is made expressly in lieu of all other warranties, expressed or implied, including, but not limited to any implied warranty of merchantability or fitness for a particular purpose and all other obligations on the part of Elica North America, provided, however, that if the disclaimer of implied warranties is ineffective under applicable law, the duration of any implied warranty arising by operation of law shall be limited to two (2) years from the date of original purchase at retail or such longer period as may be required by applicable law.

This warranty does not cover any special, incidental and/or consequential damages, nor loss of profits, suffered by the original purchaser, its customers and/or the users of the Products.

### WHO TO CONTACT

To obtain service under warranty or for any service related question:

- **USA & CANADA - Western Provinces**  
**SERVICE POWER**  
888 732 8018  
elica@servicepower.com
- **CANADA - Ontario Province**  
**AGI Services**  
888 651 2534  
service@agintl.qc.ca
- **CANADA - Quebec & Atlantic Provinces**  
**Ateliers G. Paquette**  
800 463 0119  
service@ateliersgpaquette.com

To ensure prompt after-sales service, when you call we will kindly ask you to provide the following information indicated on the nameplate inside the hood: **hood model, 12 NC and date of purchase on original invoice**. To access the nameplate, all you have to do is remove the grease filters.

**12NC:** \_\_\_\_\_

**Hood model:** \_\_\_\_\_

**Serial No:** \_\_\_\_\_

**Date of purchase on original invoice:** \_\_\_\_\_

**Table des matières**

Avis de sécurité important .....	14
Liste des pièces .....	15
Pièces fournies .....	15
Pièces non fournies .....	15
Dimensions du produit .....	16
Méthodes d'évacuation .....	16
Installation .....	19
Electrical connection.....	21
Achever l'installation .....	21
Description de la hotte .....	21
Commandes .....	21
Entretien .....	22
Garantie .....	23

**APPROUVÉ POUR LES APPAREILS DE TYPE RÉSIDENTIEL  
POUR UNE UTILISATION RÉSIDENTIELLE SEULEMENT  
LISEZ CES INSTRUCTIONS ET CONSERVEZ-LES**

**VEUILLEZ LIRE CES INSTRUCTIONS AU COMPLET AVANT DE COMMENCER.  
L'INSTALLATION DE L'APPAREIL DOIT RESPECTER TOUS LES CODES EN VIGUEUR.**

**IMPORTANT :** Conservez ces instructions afin de pouvoir les remettre à l'inspecteur-électricien de votre région.

**INSTALLATEUR :** Veuillez laisser ces instructions avec l'appareil pour le propriétaire.

**PROPRIÉTAIRE :** Veuillez conserver ces instructions pour pouvoir vous y référer plus tard.

**Avertissement de sécurité :** Coupez l'alimentation du circuit dans le panneau électrique et verrouillez le panneau avant de raccorder les fils de cet appareil.

**Exigence :** 120 V c.a., 60 Hz circuit de dérivation de 15 V c.a., 20 Hz, de 15 ou 20 A.

## ⚠️ AVIS DE SÉCURITÉ IMPORTANT

### ⚠️ ATTENTION

UTILISER CET APPAREIL À DES FINS DE VENTILATION GÉNÉRALE SEULEMENT. NE PAS UTILISER CET APPAREIL POUR ÉVACUER DES MATÉRIEAUX OU DES VAPEURS DANGEREUX OU EXPLOSIFS.

### ⚠️ AVERTISSEMENT

POUR RÉDUIRE LES RISQUES D'INCENDIE, DE CHOC ÉLECTRIQUE ET DE BLESSURE, RESPECTER LES DIRECTIVES SUIVANTES:

- Utiliser cet appareil uniquement aux fins prévues par le fabricant. Si vous avez des questions à propos de l'appareil, communiquez avec le fabricant.
- Avant de faire l'entretien de l'appareil ou de le nettoyer, coupez l'alimentation dans le panneau électrique et verrouillez le panneau en bloquant le dispositif permettant d'empêcher d'activer l'alimentation accidentellement. S'il n'est pas possible de verrouiller l'accès au panneau, fixez une étiquette très voyante au panneau électrique.
- Une personne qualifiée doit effectuer l'installation et le câblage des fils électriques en conformité avec tous les codes et toutes les normes, y compris la cote de résistance au feu.
- Il est important de prévoir suffisamment d'air pour assurer une bonne combustion de l'équipement de chauffe et l'évacuation adéquates des gaz par le conduit de cheminé afin de prévenir les refoulements d'air. Respectez les directives et les normes de sécurité des fabricants de l'équipement de chauffage, comme celles publiées par la National Fire Protection Association (NFPA), la American Society for Heating, Refrigeration and Air Conditioning Engineers (ASHRAE) et le code des autorités de votre région.
- Au moment de couper ou de percer un mur ou un plafond, assurez-vous de ne pas endommager la filerie électrique ou tout autre accès à un service public.
- Les ventilateurs conduits doivent toujours être évacués vers l'extérieur.

### ⚠️ ATTENTION

Pour réduire les risques d'incendie et évacuer l'air correctement, assurez-vous que le conduit mène à l'extérieur; il ne faut pas évacuer l'air dans l'espace entre les murs, dans les plafonds, dans les greniers, les vides sanitaires ou les garages.

### ⚠️ AVERTISSEMENT

POUR RÉDUIRE DES RISQUES D'INCENDIE, UTILISEZ UNIQUEMENT DES CONDUITS EN MÉTAL.

Installez cette hotte en respectant toutes les exigences mentionnées.

### ⚠️ AVERTISSEMENT

Pour réduire les risques d'incendie et de choc électrique, n'utilisez pas cette hotte avec un contrôleur de vitesse à semi-conducteurs.

### ⚠️ ATTENTION

Dispositif à commande automatique - pour réduire le risque de Blessure Débrancher de l'alimentation électrique avant la maintenance.

### ⚠️ AVERTISSEMENT

POUR RÉDUIRE LES RISQUES D'INCENDIE DE GRAISSE SUR LES CUISINIÈRES.

- Ne laissez jamais la cuisinière sans surveillance lorsqu'elle est réglée à une haute température. Les débordements par bouillonnement causent de la fumée et des débordements de gras qui peuvent s'enflammer. Faites chauffer l'huile lentement, à une température basse ou moyenne.

- Faites toujours fonctionner la hotte lorsque vous utilisez la cuisinière à une haute température ou que vous faites flamber des aliments (P. ex.: crêpes Suzette, cerises jubilé, boeuf au poivre flambé).
- Nettoyez les hélices de ventilation fréquemment. Il ne faut pas que la graisse s'accumule sur les filtres ou les hélices.
- Utilisez le bon format de casserole. Utilisez toujours un chaudron de taille approprié à l'élément de la cuisinière.
- Convient pour utilisation dans la zone de cuisson domestique.

### ⚠️ AVERTISSEMENT

POUR ÉVITER DE BLESSER QUELQU'UN LORS D'UN INCENDIE DE GRAISSE SUR LA CUISINIÈRE, SUIVRE LES CONSEILS SUIVANTS:<sup>a</sup>

- ÉTOUFFER LES FLAMMES avec un couvercle aux dimensions de la taque de cuisson, une tôle à biscuit ou tout autre plateau métallique, puis couper le gaz ou l'alimentation électrique de la cuisinière. FAIRE ATTENTION A NE PAS SE BRÛLER. Si les flammes ne s'éteignent pas immédiatement, QUITTER LA PIÈCE ET APPELER LES POMPIERS.
- NE JAMAIS PRENDRE EN MAIN UNE CASSEROLE N FEU, vous pourriez vous blesser.
- NE PAS UTILISER D'EAU, y compris les essuies de vaisselle ou les serviettes humides - une violente explosion due à la vapeur formée pourrait survenir.
- Utiliser un extincteur SEULEMENT si:
  - Vous êtes sûr d'avoir un extincteur de classe ABC que vous savez utiliser.
  - Le feu est petit et confiné à la zone où il s'est formé.
  - Les pompiers ont été appelés.
  - Vous pouvez lutter contre le feu avec une sortie derrière vous.

<sup>a</sup> Recommandations tirées des conseils de sécurité en cas d'incendie de cuisine publiés par la NFPA.

**REMARQUE:** Cet appareil n'est pas destiné à être utilisé par des personnes (y compris des enfants) dont les capacités physiques, sensorielles ou mentales sont réduites, ou qui manquent d'expérience et de connaissances, à moins qu'elles n'aient reçu une surveillance ou des instructions concernant l'utilisation de l'appareil de la part d'une personne responsable de leur sécurité.

**REMARQUE:** Les enfants doivent être surveillés afin de s'assurer qu'ils ne jouent pas avec l'appareil.

### MODE OPÉRATOIRE

Toujours laisser les grilles de sécurité et les filtres à leur place. Sans la présence de ces derniers, les parties aspirantes pourraient attirer les cheveux, les doigts ou les vêtements.

Le fabricant décline toute responsabilité si les informations détaillées dans ce manuel pour l'installation, l'entretien et l'utilisation adéquate du produit ne sont pas observées. Le fabricant décline en outre toute responsabilité pour d'éventuelles blessures dues à des négligences; en outre, la garantie de l'appareil sera annulée suite à des conditions d'entretien inappropriées. Cet appareil est fabriqué pour un usage interne. Ne pas utiliser cet appareil à l'extérieur.

Si la hotte est munie d'une fiche électrique, la raccorder à un réceptacle conforme à la réglementation en vigueur et placé en position accessible. Si la hotte n'est pas équipée d'une fiche électrique (raccordement direct au réseau électrique) ou si la fiche ne sera pas en position accessible après l'installation, placez un interrupteur bipolaire agréé en position accessible qui assure une déconnexion totale dans des conditions de surtension de catégorie III, conformément aux règles de câblage locales.

## LISTE DES PIÈCES

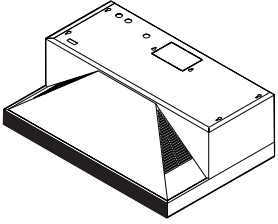
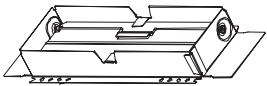

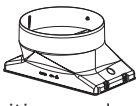
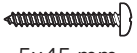
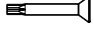






Retirer les pièces de leur emballage.

### ⚠ ATTENTION

Enlever délicatement le carton, porter des gants pour se protéger des bords coupants.

### ⚠ AVERTISSEMENT

Enlever le film de protection recouvrant le produit avant de commencer l'opération.

Pièces Fournies	Quantité	Pièces Fournies	Quantité
 Assemblage hotte avec lampes DEL	1	 Module connecteur de conduit rectangulaire de 3/4" x 10" (8,3 x 25,4 cm)	1
 5,4x75 mm	6	 Transition ronde de 6"	1
 5x45 mm	6	 Adaptateur Torx 20	1
 4x8 mm	4	 8x40 mm	6
 4,5x13 mm	4	 10x60 mm	4
 3,5x9,5 mm	3	 Rondelles Ø 6,4x18 mm	2

### Pièces non Fournies

#### Outils nécessaires

- Perceuse
- Foret de 1/4" (3,0 cm), 1/8" (4,8 mm), 1/8" (3,0 mm) pour avant-trous
- Crayon
- Pince à dénuder ou couteau utilitaire
- Ruban à mesurer ou règle
- Pincettes
- Pistolet à calfeutrage et composé de calfeutrage résistant aux intempéries
- Pincettes de ventilation
- Scie sauteuse ou scie à guichet
- Cisaille de ferblantier
- Tournevis:
  - Phillips
  - Lame plate
  - Torx #10

#### Accessoires optionnel

KIT	# Pièce
<b>Remplacement du filtre à charbon</b>	KIT02667

#### Exigences d'emplacement:

**IMPORTANT:** Observer les dispositions de tous les codes et règlements en vigueur.

Confier l'installation de la hotte à un technicien qualifié.

C'est à l'installateur qu'incombe la responsabilité de respecter les distances de séparation exigées, spécifiées sur la plaque signalétique de l'appareil. La plaque signalétique de l'appareil est située derrière le filtre, sur la paroi arrière gauche de la hotte.

Installer la hotte de cuisinière à distance de toute zone exposée à des courants d'air, comme fenêtres, portes et bouches de chauffage. Respecter les dimensions indiquées pour les ouvertures à découper dans les placards. Ces dimensions tiennent compte des valeurs minimales des dégagements de séparation.

Avant d'effectuer des découpages, consulter les instructions d'installation de la table de cuisson/cuisinière. On doit disposer d'une prise de courant électrique reliée à la terre. Voir la section "Spécifications électriques".

La hotte a été configurée à l'usine pour une installation avec une décharge à l'extérieur (recyclage), voir "Installation sans décharge à l'extérieur (recyclage) à travers le soffite/placard", à la section "Préparation de l'emplacement".

Ensemble de filtres à charbon (pièce numéro W10272068) est disponible chez votre marchand ou chez un distributeur de pièces autorisé. Assurer l'étanchéité au niveau de chaque ouverture découpée dans le plafond ou le mur pour l'installation de la hotte de cuisinière.

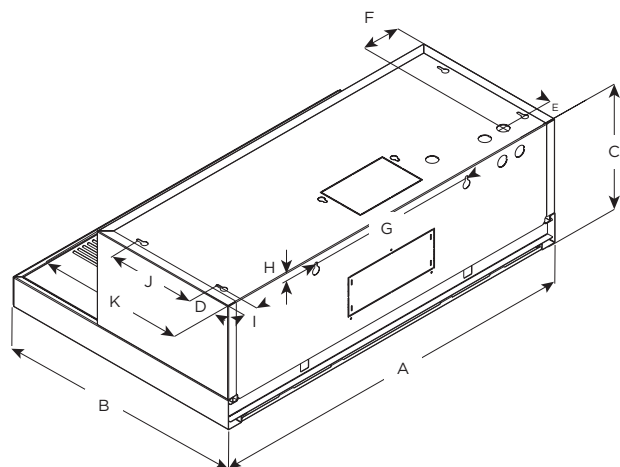
#### Installation dans une résidence mobile

L'installation de cette hotte doit satisfaire aux exigences de la norme Manufactured Home Construction Safety Standards, Titre 24 CFR, partie 328 (anciennement Federal Standard for Mobile Home Construction and Safety, titre 24, HUD, partie 280); lorsque cette norme n'est pas applicable, l'installation doit satisfaire aux critères de la plus récente édition de la norme Manufactured Home Installation 1982 (Manufactured Home Sites, Communities and Setups) ANSI A225.1/NFPA 501A, ou des codes locaux.

\*\*TORX est une marque déposée de Saturn Fasteners, Inc.

# EXIGENCES D'EMPLACEMENT

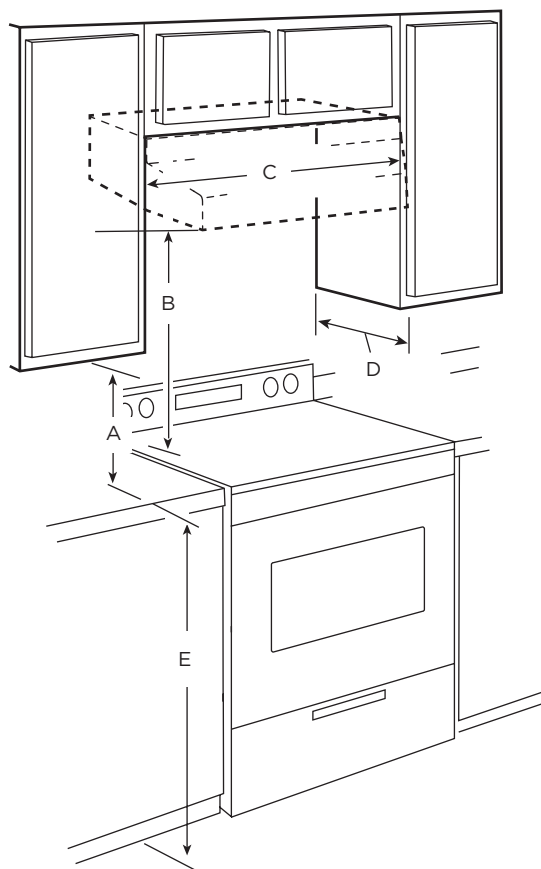
## Dimensions du produit



	Modèles	
	EMD530S3	EMD536S3
<b>A</b>	30" (76 cm)	36" (91,2 cm)
<b>B</b>	19 <sup>5</sup> / <sub>8</sub> " (50 cm)	
<b>C</b>	9 <sup>3</sup> / <sub>4</sub> " (25 cm)	
<b>D</b>	2 <sup>3</sup> / <sub>16</sub> " (5,5 cm)	
<b>E</b>	1 <sup>0</sup> / <sub>16</sub> " (4 cm)	
<b>F</b>	3" (7,6 cm)	5 <sup>3</sup> / <sub>4</sub> " (14,6 cm)
<b>G</b>	13 <sup>13</sup> / <sub>16</sub> " (35 cm)	
<b>H</b>	5 <sup>8</sup> / <sub>8</sub> " (1,6 cm)	
<b>I</b>	1 <sup>3</sup> / <sub>16</sub> " (3 cm)	
<b>J</b>	7 <sup>1</sup> / <sub>4</sub> " (18,4 cm)	
<b>K</b>	12" (30,5 cm)	

Pour l'installation à partir de la surface de cuisson électrique: Monter cette hotte de sorte que le bord inférieur est au minimum de 27" (68,6 cm) au-dessus de la surface de cuisson. Pour l'installation à partir de la surface de cuisson au gaz: monter cette hotte pour que le fond n'est pas inférieur à 24" (61 cm).

## Dégagements de séparation



- A. Dégagement min. de 18" (45,7 cm) entre le placard supérieur et le plan de travail
- B. 24" (61 cm) min. pour les surfaces de cuisson électriques  
27" (68,6 cm) min. pour surfaces de cuisson au gaz  
Distance maximale suggérée de 36" (91,4 cm) du bas de la hotte à la surface de cuisson
- C. 30" (76,2 cm) ou 36" (91,4 cm) de largeur minimale pour l'ouverture entre les placards
- D. 12" (30,5 cm) de profondeur de placard minimale
- E. 36" (91,4 cm) de hauteur du placard du bas

## Exigences concernant l'évacuation

- Le circuit d'évacuation doit décharger l'air à l'extérieur, excepté pour les installations sans décharge à l'extérieur (recyclage).
- Ne pas terminer le circuit d'évacuation dans un grenier ou dans un autre espace clos.
- Ne pas utiliser une bouche de décharge murale de 4" (10,2 cm) normalement utilisée pour un équipement de buanderie.
- Utiliser un conduit métallique uniquement. Un conduit en métal rigide est recommandé. Ne pas utiliser de conduit de plastique ou en aluminium. La longueur du conduit de décharge et le nombre de coudes doivent être réduits au minimum pour fournir la meilleure performance.

### Pour un fonctionnement efficace et silencieux:

- Ne pas utiliser plus de trois coudes à 90°.
- Veiller à ce qu'il y ait une section droite de conduit d'un minimum de 24" (61 cm) entre les raccords coudeés, si on doit en utiliser plus d'un.
- Ne pas installer 2 coudes successifs.
- Le circuit d'évacuation doit comporter un clapet anti-r flux.
- Au niveau de chaque jointure du circuit d'évacuation, assurer l'étanchéité avec les brides de serrage.
- À l'aide d'un produit de calfeutrage, assurer l'étanchéité autour de la bouche de décharge à l'extérieur (à travers le mur ou le toit).
- La taille du conduit doit être uniforme.

## Installations pour régions à climat froid

On doit installer un clapet anti-reflux additionnel à l'arrière pour minimiser le reflux d'air froid, et incorporer un élément d'isolation thermique pour minimiser la conduction de chaleur par l'intermédiaire du conduit d'évacuation, de l'intérieur de la maison à l'extérieur. Le clapet anti-reflux doit être placé du côté air froid par rapport à l'élément d'isolation thermique. L'élément d'isolation thermique doit être aussi proche que possible de l'endroit où le système d'évacuation s'introduit dans la partie chauffée de la maison.

## Air d'appoint

Le code du bâtiment local peut exiger l'emploi d'un système d'appoint d'air lors de l'emploi d'un ventilateur d'extraction dont la capacité d'aspiration est supérieure à un débit (pieds cubes par minute) spécifié. Le débit spécifié, pieds cubes par minute, est variable d'une juridiction à une autre. Consulter un professionnel des installations de chauffage ventilation/climatisation au sujet des exigences spécifiques applicables dans la juridiction locale.

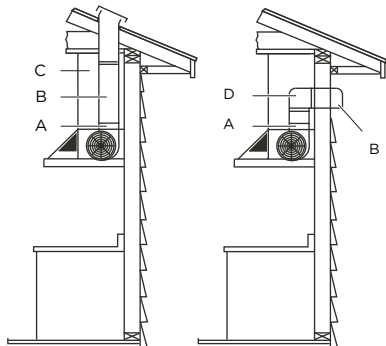
## Méthodes d'évacuation

La sortie à l'extérieur du circuit d'évacuation peut se faire à travers le toit ou à travers un mur. Utiliser un conduit rectangulaire de 3¼" x 10" (8,3 cm x 25,4 cm) pour une longueur effective maximale de circuit de 35 pi (10,7 m) ou un conduit rond de 6" (15,2 cm) ou plus de diamètre pour une longueur effective maximale de circuit de 50 pi (15,2 m).

S'il s'avère impossible d'évacuer la fumée et les vapeurs de cuisson à l'extérieur, il est possible de transformer la hotte en version sans conduit (recyclage), acheter le kit de remplacement du filtre à charbon.

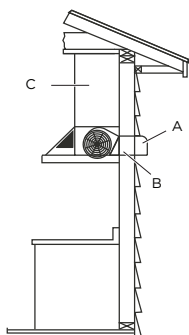
**REMARQUE:** On déconseille l'emploi d'un conduit flexible. Un conduit flexible peut susciter une rétro-pression et des turbulences de l'air, ce qui réduit considérablement la performance.

### Évacuation verticale



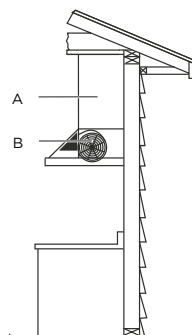
- A. Transition de 6" (15,2 cm)
- B. Conduit de 6" (15,2 cm)
- C. Placard
- D. 90° coude

### Évacuation horizontale



- A. Transition de 3¼" x 10" (8,3 x 25,4 cm)
- B. Conduit de 3¼" x 10" (8,3 x 25,4 cm)
- C. Placard

### Recyclage



- A. Placard
- B. Filtres à charbon

## Préparation

Nous recommandons qu'un technicien qualifié installe la hotte. Il est de la responsabilité de l'installateur de s'assurer que la hotte de cuisine est conforme aux tolérances d'installation spécifiées pour le produit.

### Préparation de l'emplacement

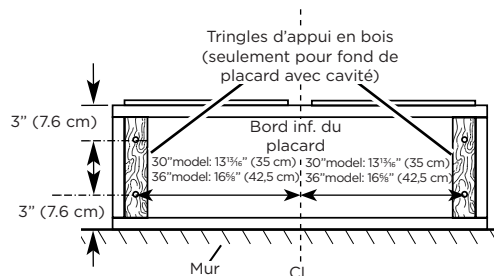
- Il est recommandé d'installer le circuit d'évacuation avant de procéder à l'installation de la hotte.
  - Avant d'exécuter les découpages, vérifier la disponibilité d'un dégagement suffisant dans le plafond ou le mur pour le conduit d'évacuation.
  - Avant d'installer la hotte, mesurer la hauteur libre sous plafond et la hauteur maximum disponible sous la hotte.
- 1 Déconnecter la source de courant électrique.
  - 2 Déterminer la méthode d'évacuation à utiliser: décharge à travers le mur ou le toit, ou recyclage.
  - 3 Sélectionner une surface plane pour l'assemblage de la hotte. Placer le matériau de protection sur cette surface.

### AVERTISSEMENT

RISQUE DU POIDS EXCESSIF

UTILISER DEUX OU PLUS DE PERSONNES POUR DÉPLACER ET INSTALLER LA HOTTE DE LA CUISINIÈRE. LE NON-RESPECT DE CETTE INSTRUCTION PEUT CAUSER UNE BLESSURE AU DOS OU D'AUTRE BLESSURE.

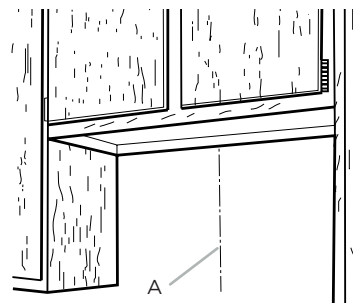
- 4 À l'aide d'au moins 2 personnes, soulever la hotte et la placer à l'envers sur une surface couverte.
- 5 Si le fond du placard forme une cavité, ajouter des tringles d'appui en bois de chaque côté. Installer les vis pour fixer les tringles d'appui aux emplacements indiqués.



### Déterminer l'emplacement du trou de passage du câble

Percer seulement un trou de passage de 1¼" (3,2 cm) de diamètre pour le câblage. Voir l'étape 2 pour des instructions sur l'emplacement du trou de passage du câblage.

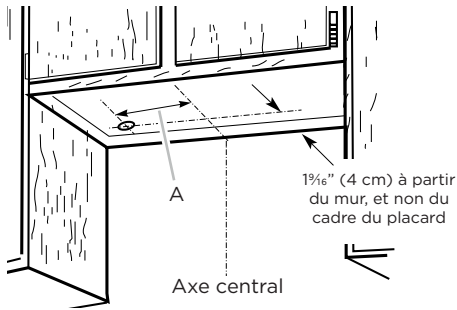
- 1 Déterminer et tracer l'axe central vertical sur le mur et le placard dans la zone où le passage du conduit d'évacuation sera réalisé.



A. Axe central

## 2. Câblage à travers le sommet du placard:

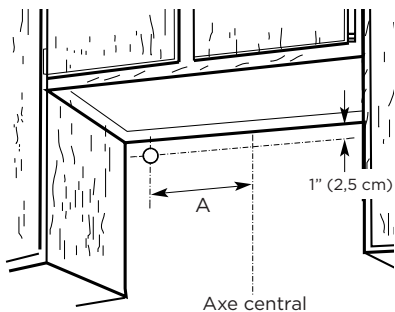
Tracer une ligne à distance "A" à gauche de l'axe central, sur la face inférieure du placard. Sur cette ligne, marquer le point situé à 1 $\frac{1}{16}$ " (4 cm) du mur arrière. Percer en ce point un trou de 1 $\frac{1}{4}$ " (3,2 cm) de diamètre à travers le placard.



A. 12" (30,5 cm) pour les modèles de 30" (76,2 cm)  
12 $\frac{1}{4}$ " (31,1 cm) pour les modèles de 36" (91,4 cm)

## 3. Passage du câble à travers le mur:

Tracer une ligne de distance "A" à partir de la gauche de l'axe central sur le mur. Sur cette ligne, marquer un point à 2" (5,1 cm) du fond du placard. Percer en ce point un trou de 1 $\frac{1}{4}$ " (3,2 cm) de diamètre à travers la paroi arrière.



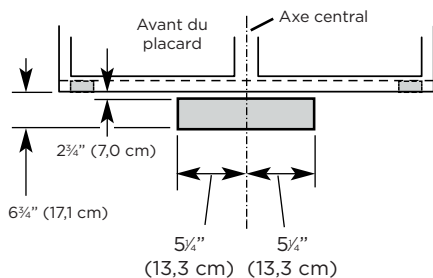
A. 12" (30,5 cm) pour les modèles de 30" (76,2 cm)  
12 $\frac{1}{4}$ " (31,1 cm) pour les modèles de 36" (91,4 cm)

## STYLE 1 - DÉCOUPAGES D'OUVERTURE POUR UN SYSTÈME D'ÉVACUATION RECTANGULAIRE DE 3 $\frac{3}{4}$ " X 10" (8,3 CM X 25,4 CM)

### Évacuation par le mur

#### Découpage d'une ouverture rectangulaire de 4" x 10 $\frac{1}{2}$ " (10,2 cm x 26,7 cm) dans le mur:

- 1 Mesurer 2 lignes de 2 $\frac{3}{4}$ " (7 cm) et 6 $\frac{3}{4}$ " (17,1 cm) en descendant à partir de la face inférieure du placard et marquer leur emplacement sur l'axe central du mur arrière.
- 2 Tracer des lignes à 5 $\frac{1}{4}$ " (13,3 cm) de part et d'autre de l'axe central sur le mur.
- 3 Utiliser une scie sauteuse ou une scie à guichet pour découper l'ouverture rectangulaire du système d'évacuation dans le mur.



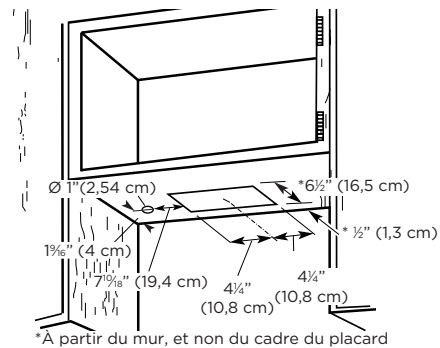
## STYLE 2 - OUVERTURES DE COUPE POUR INSTALLATION AVEC CONNECTEUR DE CONDUIT PAR LE HAUT

### (DÉCOUPAGE D'OUVERTURE POUR UN SYSTÈME D'ÉVACUATION RECTANGULAIRE À ROND DE 6" (15,2 CM))

#### Évacuation à travers le toit

#### Découpage d'une ouverture rectangulaire de 6 $\frac{1}{2}$ " x 8 $\frac{1}{2}$ " (16,5 cm x 21,6 cm) dans le mur:

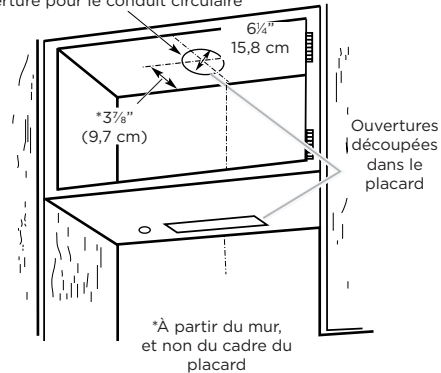
- 1 Mesurer lignes de 1 $\frac{1}{2}$ " (1,3 cm) et 6 $\frac{1}{2}$ " (16,5 cm) en descendant à partir de la face inférieure du placard et marquer leur emplacement sur l'axe central du mur arrière.
- 2 Tracer des lignes à 4 $\frac{1}{4}$ " (10,8 cm) de part et d'autre de l'axe central sur le mur.
- 3 Utiliser une scie sauteuse ou une scie à guichet pour découper l'ouverture rectangulaire du système d'évacuation dans le mur.



#### Découpage d'une ouverture circulaire sur la face inférieure du sommet du placard:

- 1 Tracer un axe central sur la face inférieure du sommet du placard.
- 2 Tracer une ligne de 3 $\frac{3}{4}$ " (9,5 cm) en partant du mur arrière sur la face inférieure du sommet du placard.
- 3 Tracer un cercle en utilisant un compas ou un gabarit circulaire de 6 $\frac{1}{4}$ " (15,2 cm).
- 4 Utiliser une scie sauteuse ou une scie à guichet pour découper l'ouverture circulaire pour le passage du conduit d'évacuation.

Ouverture pour le conduit circulaire

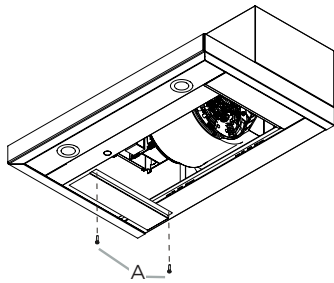


#### Installation du conduit d'évacuation

- 1 Installer le conduit d'évacuation à travers les ouvertures découpées dans le placard ou le mur. Acheter l'installation du système d'évacuation conformément à la méthode d'évacuation sélectionnée. Voir la section "Exigences concernant l'évacuation".
- 2 À l'aide d'un produit de calfeutrage, assurer l'étanchéité autour de la bouche de décharge à l'extérieur (à travers le mur ou le toit).

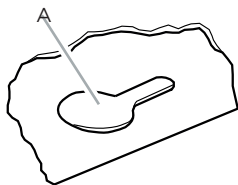
## Installation de la hotte

- 1 Retirer les filtres à graisse. Voir la section "Entretien".
- 2 Retirer la cale d'expédition en mousse de derrière le moteur de ventilateur.
- 3 Retirez la pièce de gauche, voir l'image ci-dessous.



A. Vis à gauche (2)

- 4 Soulever la hotte sous le placard et déterminer sa position d'installation finale en la centrant sous le placard. Sur la face inférieure du placard, marquer l'emplacement des 4 trous allongés pour montage sur la hotte. Placer la hotte à part sur une surface couverte.



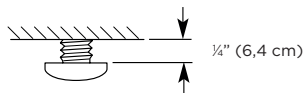
A. Trou allongé

- 4 À l'aide d'un foret de  $\frac{1}{8}$ " (3 mm), percer 4 avant-trous tel qu'illustré.



A. Perçage des avant-trous

- 5 Installer les 4 vis de montage de 4,5 x 13 mm dans les avant-trous. Laisser un espace d'environ  $\frac{1}{4}$ " (6,4 mm) entre les têtes des vis et le placard pour faire glisser la hotte et la mettre en place.



- 6 Remplacer la pièce qui a été retirée à l'étape 3.

### Installation avec connecteur de conduit

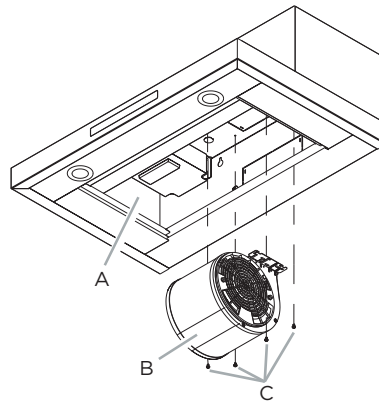
Déterminer si la hotte sera installée avec un raccord d'évacuation par le haut ou par l'arrière.

### Installation avec connecteur de conduit par l'arrière

**REMARQUE:** Pour une évacuation par l'arrière, la position du moteur du ventilateur doit être modifiée. Cela nécessite le support de fixation arrière pour le moteur qui est inclus avec la hotte de cuisinière.

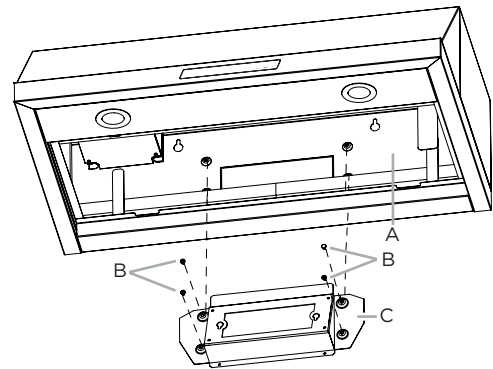
- 1 Placez la hotte sur son dos. Monter le système de ventilation sur la sortie d'échappement.
- 2 Débrancher la prise électrique du moteur du ventilateur du boîtier de connexion.

- 3 À l'aide d'un tournevis et d'un embout Torx® T20®, retirer les 4 vis qui maintiennent en place le moteur du ventilateur. Pousser le moteur du ventilateur vers le haut pour dégager les pattes de montage de l'arrière de la cavité de la hotte. Retirer le moteur du ventilateur et le mettre de côté.



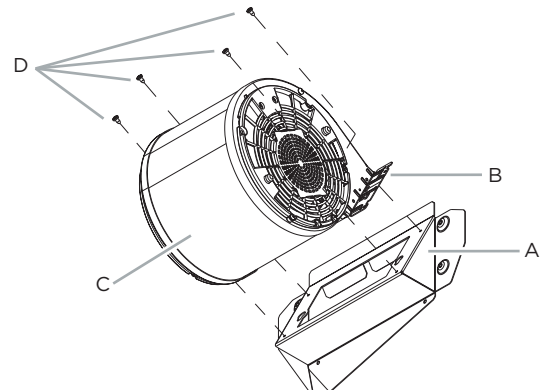
A. Intérieur de la hotte (partie intérieure supérieure)  
B. Moteur  
C. Vis de montage du moteur du ventilateur

- 4 Installer le support de fixation arrière du moteur (inclus avec la hotte de cuisinière) avec 4 vis de 4 x 8 mm.



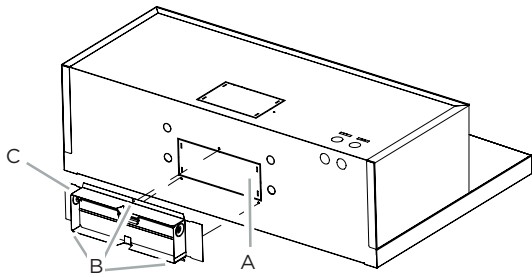
A. Intérieur de la hotte (verso)  
B. 4 vis de 4 x 8 mm  
C. Support de montage du moteur du ventilateur arrière

5. Installez le moteur sur le support de montage du moteur arrière. Engager les languettes de montage du moteur dans les trous allongés pour montage situés sur le support de montage arrière, et appuyer vers le bas pour verrouiller. Mettre en place les 4 vis retirées précédemment, et les serrer pour verrouiller le support du moteur.



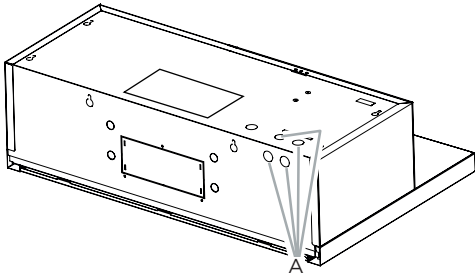
A. Support de montage du moteur arrière  
B. Pattes de montage du moteur (2)  
C. Moteur du ventilateur  
D. Vis de montage du moteur du ventilateur (4)

- 6 Reconnecter la prise électrique du moteur du ventilateur au boîtier de connexion.
- 7 Enlever l'opercule amovible arrière du conduit d'évacuation.
- 8 Fixer le clapet du raccord de transition rectangulaire de  $3\frac{1}{4}$ " x 10" (8,3 cm x 25,4 cm) à l'aide de 3 vis de montage du raccord de transition.



- A. Opercule amovible arrière du conduit d'évacuation
- B. Vis de montage de l'opercule amovible du raccord de transition rectangulaire arrière (3)
- C. Raccord de transition rectangulaire arrière

- 9 Ôter l'un des opercules circulaires pour le passage du serre-câble du sommet ou de l'arrière de la hotte de ventilation (selon l'emplacement du câblage) et installer un serre-câble de ½ po homologué UL ou CSA.

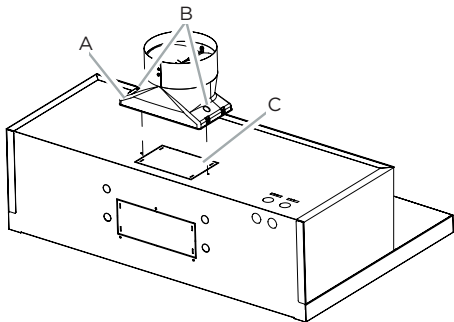


A. Opercule amovible rond

#### Installation avec connecteur de conduit par le haut

- 1 Enlever l'opercule arrachable de l'ouverture supérieure.
- 2 Fixer le clapet du raccord de transition pour conduit circulaire à l'aide de 2 vis de montage du raccord de transition.
- 3 Enlever le ruban adhésif du volet du clapet.

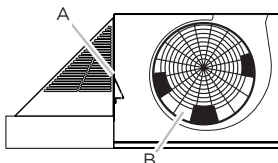
**REMARQUE:** Si la bouche de décharge murale est située directement derrière le connecteur de conduit, on doit veiller à empêcher toute interférence entre les clapets du connecteur et de la bouche de décharge murale. En cas d'interférence, supprimer le clapet du connecteur de conduit.



- A. Raccord de transition pour conduit circulaire supérieur
- B. Vis de montage du raccord de transition pour conduit (2)
- C. Opercule amovible supérieur du conduit d'évacuation

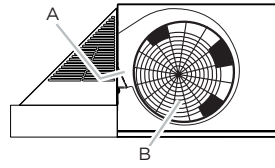
#### Installations sans décharge à l'extérieur (recyclage)

- 1 Retirer les vis de montage du ventilateur. Pousser le ventilateur vers le haut pour le détacher de la plaque de montage.
- 2 Retirer l'opercule arrachable de la plaque de montage avant.



- A. Opercule arrachable de la plaque de montage avant
- B. Ventilateur

- 3 Faire pivoter le ventilateur et le fixer à la plaque de montage avant. Installer les vis de montage du ventilateur.

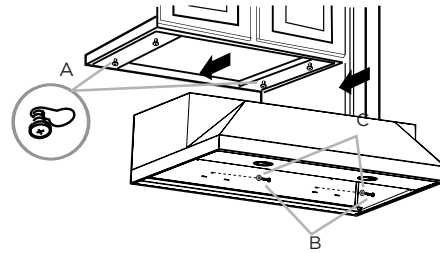


- A. Opercule arrachable de la plaque de montage avant
- B. Ventilateur

- 4 Installer les filtres à charbon. Voir la section "Entretien".

#### Installation al cabinet

- 1 À l'aide de deux personnes, soulever la hotte et la placer à son emplacement définitif. Insérer suffisamment de câble électrique dans le serre-câble pour pouvoir établir les connexions dans la boîte de connexion. Serrer les vis du serre-câble.
- 2 Positionner les trous allongés de la hotte par-dessus la tête des vis de montage. Puis pousser la hotte vers le mur pour engager la partie étroite des trous sur les vis de fixation. La hotte doit être placée contre le mur. Serrer les vis de montage en s'assurant que les vis se trouvent dans la partie étroite des trous allongés.

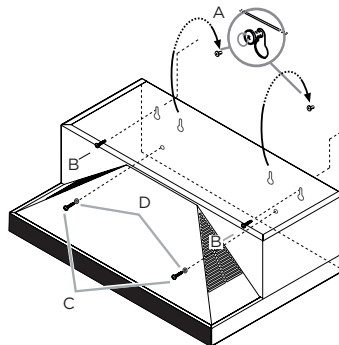


- A. 4 vis de montage
- B. Vis de sécurité
- C. Rondelles

- 3 Le cas échéant, vérifier que le clapet peut manoeuvrer librement vers le haut et vers le bas.
- 4 Raccorder le circuit d'évacuation à la hotte. Assurer l'étanchéité des jointures avec des brides pour conduits.

#### Installez la hotte au mur

- 1 Raccorder le tube électrique à la hotte.
- 2 Replacer la hotte contre le mur. Serrer les vis de fixation. S'assurer que la tête des vis est bien dans la partie plus étroite des fentes des crochets.

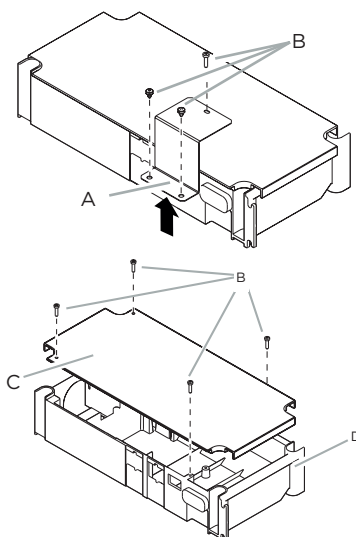


- A. Vis de montage
- B. Vis de sécurité supérieures (Installation al mur)
- C. Vis de sécurité inférieures (Installation al mur)
- D. Rondelles

- 3 Conduisez 2 pièces des vis sélectionnées dans l'emplacement des vis de sécurité supérieures (voir l'image ci-dessus).
- 4 Conduisez 2 pièces des vis sélectionnées dans l'emplacement des vis de sécurité inférieures (voir l'image ci-dessus).
- 5 Raccorder les conduits à la hotte.

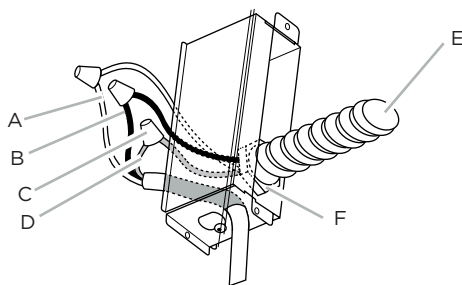
## Connexion électrique

- 1 Déconnecter la source de courant électrique.
- 2 Retirer le support puis le couvercle du boîtier de connexion.



A. Support  
B. Vis  
C. Couvercle du boîtier de connexion  
D. Boîtier de connexion

- 3 Ôter l'opercule arrachable du boîtier de connexion et installer un serre-câble de ½" (homologation UL ou CSA).



A. Conducteurs blancs  
B. Conducteurs noirs  
C. Connecteurs de fils (homologation UL)

D. Conducteurs verts (ou nus) ou vert-jaune de liaison à la terre  
E. Câble d'alimentation électrique du domicile  
F. Serre-câble (homologation UL ou CSA)

- 4 Connecter ensemble les conducteurs noirs (B) à l'aide de connecteurs de fils (homologation UL). Connecter ensemble les conducteurs blancs (A) à l'aide de connecteurs de fils (homologation UL).

**⚠ AVERTISSEMENT:**  
**RISQUE DE CHOC ÉLECTRIQUE.**  
**DÉCONNECTER LA SOURCE DE COURANT ÉLECTRIQUE AVANT L'ENTRETIEN. REPLACER PIÈCES ET PANNEAUX AVANT DE FAIRE LA REMISE EN MARCHÉ. LE NON-RESPECT DE CES INSTRUCTIONS PEUT CAUSER UN DÉCÈS OU UN CHOC ÉLECTRIQUE.**

- 5 À l'aide des connecteurs de fils (homologation UL), connecter le conducteur de liaison à la terre (vert ou nu) du câble d'alimentation au conducteur vert-jaune de liaison à la terre (D) dans le boîtier de connexion.
- 6 Installer le couvercle du boîtier de connexion.
- 7 Reconnecter la source de courant électrique.

## Achever l'installation

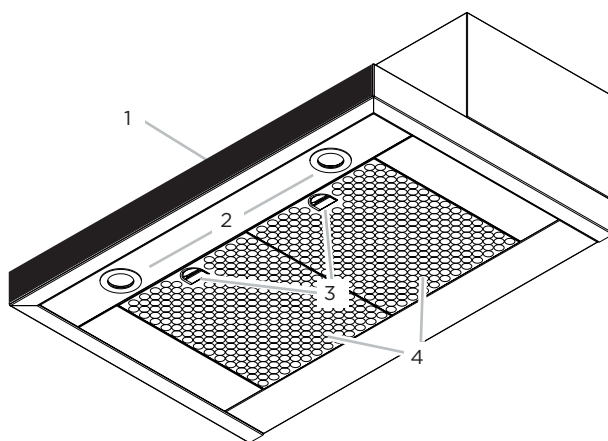
Mettez en place le filtre à graisse.  
Vérifier le fonctionnement de la hotte.

### Si la hotte ne fonctionne pas:

- Vérifiez que le disjoncteur ne s'est pas déclenché ou que le fusible n'est pas grillé.
- Débranchez l'alimentation. Vérifiez que les raccords électriques ont été effectués correctement.

Pour utiliser votre nouvelle hotte de façon optimale, lisez la section intitulée "Entretien".  
Gardez vos instructions d'installations et d'utilisation près de la hotte pour pouvoir vous y référer facilement.

## Description de la hotte



1. Commandes du ventilateur et lampes
2. Lampes DEL
3. Poignée du filtre à graisse
4. Filtre à graisse

## Commandes



1. Bouton OFF moteur (stand by)
2. Bouton de sélection vitesse (puissance d'aspiration) basse – le clignotement indique la nécessité de laver le filtre à graisse.
3. Bouton de sélection vitesse (puissance d'aspiration) moyenne.
4. Bouton de sélection vitesse (puissance d'aspiration) haute.
5. Bouton de sélection vitesse (puissance d'aspiration) intensive – durée de 5 minutes et ensuite la hotte revient à la vitesse (puissance d'aspiration) moyenne.  
La touche clignote dans pour indiquer la temporisation de la vitesse.
6. Bouton ON / OFF éclairage  
Appuyez brièvement pour allumer ou éteindre l'éclairage de la hotte. Appuyez et maintenez pour ajuster l'intensité de la lumière.

### Indicateurs de Saturation filtres:

À intervalles réguliers, la hotte indique la nécessité d'effectuer l'entretien des filtres.

**Touche  éclairée à lumière fixe:**


Effectuer l'entretien du filtre à graisse.

**Touche  éclairée clignotante:**

Effectuer l'entretien du filtre à charbon actif.

**Remarque:** L'indication de la saturation des filtres est visible pendant la première minute après l'arrêt de la hotte; dans ce délai, la réinitialisation des indicateurs de saturation doit être effectuée.


### Reset indicateurs de saturation filtres:

Appuyez longuement sur la touche 

### Activation indicateur de saturation filtre à charbon actif

**Remarque:** Cette opération doit être effectuée avec la hotte éteinte. Cet indicateur est normalement désactivé, appuyez

longuement sur la touche  pour activer la fonction: la touche est éclairée à lumière fixe.

Pour désactiver la fonction, appuyez longuement sur la touche : la touche est éclairée à lumière clignotante.

## CRS Système de Réduction CFM

### Avant d'utiliser la hotte:

Certains États et provinces des États-Unis et du Canada limitent l'évacuation d'air maximal des hottes de cuisine. L'évacuation d'air est mesuré en pieds cubes par minute (CFM). Ces niveaux maximaux autorisés sont détaillés dans le code local de votre région. Vérifiez les codes locaux pour savoir si vous devez restreindre le flux d'air maximum de votre hotte. Si votre code local exige un niveau maximal d'évacuation d'air au-dessous du maximal d'évacuation de ce hotte (c.-à-d. 600 CFM), exécutez la suivante procédure pour réduire le débit d'air.



- 1 Désactiver le moteur.
- 2 Appuyez sur les touches ON / OFF (1) et Vitesse Intensive (5) ensemble pendant 3 secondes. Vous entendrez un bip et toutes les lumières de contrôle s'allumeront pendant 3 secondes. Les 3ème et 4ème vitesses seront désactivées et effectively lower the Maximum airflow to >300 CFM.
- 3 Localisez l'étiquette de certification CFM dans le sac de matériel.
- 4 Pelez et attachez cette étiquette à une zone visible dans le hotte. Cette étiquette garantit à votre inspecteur local que le flux d'air maximum de cette hotte a été réduit à 300 CFM.

## Entretien

### Nettoyage

Ne pas vaporiser de nettoyants directement sur le panneau de contrôle lors du nettoyage de la Hotte La hotte doit être régulièrement nettoyée à l'intérieur et à l'extérieur (au moins à la même fréquence que pour l'entretien des filtres à graisse). Pour le nettoyage, utiliser un chiffon humidifié avec un détergent liquide neutre. Ne pas utiliser de produit contenant des abrasifs. **NE PAS UTILISER D'ALCOOL!**

### ⚠ ATTENTION

Il y a risque d'incendie si vous ne respectez pas les instructions concernant le nettoyage de l'appareil et le remplacement ou le nettoyage du filtre.

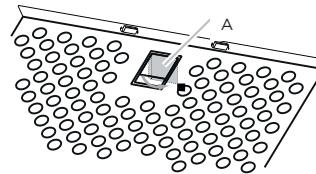
La responsabilité du constructeur ne peut en aucun cas être engagée dans le cas d'un endommagement du moteur ou d'incendie liés à un entretien négligé ou au non respect des consignes de sécurité précédemment mentionnées.

### Filtre à graisse

Il retient les particules de graisse issues de la cuisson. Le filtre doit être nettoyé une fois par mois avec des détergents non agressifs, à la main ou dans le lave-vaisselle à faibles températures et cycle rapide.

Le lavage du filtre anti-graisse métallique au lave-vaisselle peut en provoquer la décoloration. Toutefois, les caractéristiques de filtrage ne seront en aucun cas modifiées.

Pour démonter le filtre anti-graisse, tirer la poignée de décrochement à ressort.



A. Poignée à ressort

### Remplacement de la lampe à DEL

Les lumières DEL sont remplaçables par un technicien de service seulement. Voir les informations de contact de service: "Qui contacter".

### Filtres à charbon

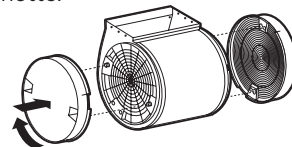
Si le système n'a pas d'évacuation vers l'extérieur, l'air va circuler à travers des filtres à charbon jetables qui vont aider à éliminer fumée et odeurs.

- 1 Posez le filtre à charbon comme couverture de la grille qui protège le moteur aspirant de manière que les fentes présentes sur le filtre correspondent aux pivots sur les côtés de la grille protège-moteur.
- 2 Tournez le filtre à charbon dans le sens des aiguilles d'une montre pour le bloquer (fixation à baïonnette).

**REMARQUE:** Les filtres à charbon ne peuvent pas être nettoyés. Il doit être remplacé tous les 4-6 mois (selon l'utilisation de la hotte).

**REMARQUE:** NE PAS rincer ou mettre les filtres à charbon dans un lave-vaisselle automatique.

**REMARQUE:** Les filtres à charbon ne sont pas inclus avec la hotte. Ils doivent être commandés auprès de votre fournisseur. Commandez le kit nécessaire en spécifiant le modèle et la largeur de votre hotte.



### ⚠ AVERTISSEMENT

En mode de recirculation, pour réduire le risque d'incendie et de choc, utilisez seulement le kit de conversion modèle **KIT02667**.

# ELICA North America

**GARANTIE DE DEUX ANS**

Enregistrez votre produit sur

**elica.com**

et obtenez une 3<sup>e</sup> année de garantie, qui couvre toutes les pièces en plus de la main-d'œuvre.

## POUR OBTENIR UN DEPANNAGE SOUS GARANTIE

Le propriétaire doit présenter une preuve de la date d'achat. Garder une copie de votre preuve d'achat datée (ticket de caisse) de façon à pouvoir bénéficier du service après-vente sous garantie.

## GARANTIE PIÈCES DE RECHANGE ET MAIN D'OEUVRE

Pendant une période de deux (2) ans à partir de la date d'achat, Elica s'engage à fournir gratuitement les pièces de rechange ou les composants autres que les recharges ayant des défauts de fabrication. Durant cette garantie de deux (2) ans, Elica fournira également gratuitement, toute la main d'oeuvre et le service à domicile pour remplacer d'éventuelles pièces défectueuses.

## CE QUE LA GARANTIE NE COUVRE PAS

- Dégât ou panne du produit causé par un accident ou un cas de force majeure tels que inondation, incendie ou tremblement de terre.
- Dégât ou panne du produit causé par modification du produit ou utilisation de pièces pas d'origine.
- Dégât ou panne du produit causé lors de la livraison, de la manipulation ou de l'installation.
- Dégât ou panne du produit causé par une mauvaise utilisation.
- Dégât ou panne du produit causé par un remplacement des fusibles ou une remise en fonction des disjoncteurs par le propriétaire.
- Dégât ou panne du produit causé par une utilisation du produit pour raison commerciale.
- Déplacement à domicile pour explication d'utilisation ou d'entretien.
- Ampoules, filtres métalliques ou au charbon et toute autre pièce consommable.
- Usure normale.
- Usure due à une mauvaise utilisation du propriétaire, un entretien incorrect, une utilisation de substances nettoyantes corrosives ou abrasives et produits de nettoyage pour four.
- Lorsque le produit n'a pas été utilisé conformément aux instructions d'utilisation qui l'accompagnent.

## QUI EST COUVERT

Cette garantie s'étend à l'acheteur original de produits achetés pour un usage domestique habituel en Amérique du Nord (Y compris Etats Unis, Guam, Porto Rico, les Iles virgin Américaines & le Canada).

Cette garantie n'est pas transférable et vaut uniquement pour l'acheteur original et ne s'étend pas aux propriétaires successifs du produit. Cette garantie vaut expressément en lieu et place de toute autre garantie, expresse ou sous-entendue, mais ne limite pas toute autre garantie sous-entendue de marchandage ou adaptation dans un but particulier et toute autre obligation de la part de Elica North America, étant entendu, cependant, que si la réclamation pour garanties sous-entendues n'est pas applicable aux yeux de la loi en vigueur, la durée de toute garantie sous-entendue émanant de la loi doit être limitée à deux (2) ans à partir de la date d'achat du produit ou à une période plus longue selon ce que dit la loi en vigueur.

Cette garantie ne couvre pas tout dégât particulier, accidentel et/ou consécutif, ni les pertes et profits, à charge du propriétaire, des ses clients et/ou des utilisateurs Des produits.

## QUI CONTACTER

Pour obtenir un Service Après-vente durant la Garantie ou pour toute autre Question liée au Service Après-vente: Appeler:

- **USA & CANADA - Provinces de l'Ouest**  
**SERVICE POWER**  
888 732 8018  
elica@servicepower.com
- **CANADA - Province de l'Ontario**  
**AGI Services**  
888 651 2534  
service@agintl.qc.ca
- **CANADA - Québec et provinces de l'Atlantique**  
**Ateliers G. Paquette**  
800 463 0119  
service@ateliersgpaquette.com

Pour garantir un service après-vente rapide, quand vous téléphonerez nous vous prions de bien vouloir donner les informations suivantes, qui sont indiquées sur la plaque signalétique qui se trouve à l'intérieur de la hotte: **modèle, 12 NC et date d'achat sur votre facture originale**. Pour accéder à la plaque signalétique, il vous suffit d'enlever les filtres graisse.

**12NC:** \_\_\_\_\_

**Modèle:** \_\_\_\_\_

**N° de série:** \_\_\_\_\_

**Date d'achat sur votre facture originale:** \_\_\_\_\_

**Contenido**

Aviso de seguridad importante ..... 25

Lista de materiales ..... 26

    Piezas suministradas ..... 26

    Piezas no suministradas ..... 26

Dimensiones del producto ..... 27

Métodos de ventilación ..... 27

Instalación ..... 30

    Conexión eléctrica ..... 32

    Complete la instalación ..... 32

Descripción de la campana ..... 32

Control ..... 32

Mantenimiento ..... 33

Garantía ..... 34

**APROBADO PARA APARATOS DE USO DOMÉSTICO  
SÓLO PARA USO DOMÉSTICO  
LEA Y GUARDE ESTAS INSTRUCCIONES**

**ANTES DE CONTINUAR, LEA LAS INSTRUCCIONES POR COMPLETO.  
LA INSTALACIÓN DEBE CUMPLIR TODA LA NORMATIVA LOCAL.**

**IMPORTANTE:** Guarde estas instrucciones para su uso por parte del inspector de electricidad local.

**INSTALADOR:** Entregue al propietario estas instrucciones junto con la unidad.

**PROPIETARIO:** Conserve estas instrucciones para futuras consultas.

**Advertencia de seguridad:** Antes de realizar el cableado de este aparato, desactive el circuito de energía eléctrica en el panel de servicio y desbloquee el panel.

**Requisito:** Circuito auxiliar de 120 V AC, 60 Hz. 15 ó 20 A.

## AVISO DE SEGURIDAD IMPORTANTE

### PRECAUCIÓN

SÓLO PARA USO DE VENTILACIÓN GENERAL. NO UTILIZAR PARA EXPULSAR VAPORES O MATERIALES PELIGROSOS O EXPLOSIVOS.

### ADVERTENCIA

PARA REDUCIR EL RIESGO DE FUEGO, DESCARGA ELÉCTRICA O LESIONES PERSONALES, RESPETE LO SIGUIENTE:

- A. Utilice esta unidad solamente en el modo que indica el fabricante. En caso de duda, póngase en contacto con el fabricante.
- B. Antes de reparar o limpiar la unidad, desconecte la alimentación en el panel de servicio y bloquee los medios de desconexión del panel de servicio para evitar la conexión accidental de la alimentación. Si no es posible bloquear los medios de desconexión del panel de servicio, coloque un dispositivo de advertencia que destaque como, por ejemplo, una etiqueta, en el panel de servicio.
- C. La instalación y el cableado eléctrico deben realizarlos personas cualificadas de acuerdo con las normativas y los estándares aplicables, incluida la construcción ignífuga.
- D. Es necesaria una ventilación suficiente para la correcta combustión y expulsión de gases por la salida de humos (Chimenea) del equipo de combustión de carburante para evitar el contratiro. Siga las directrices de fabricantes de equipos de calefacción y los estándares de seguridad como los publicados por la National Fire Protection Association (NFPA), American Society for Heating, Refrigeration and Air Conditioning Engineers (ASHRAE) y las normativas locales.
- E. Al efectuar orificios en una pared o techo, no dañe el cableado eléctrico y otras instalaciones ocultas.
- F. Los sistemas instalados mediante conducto siempre deben tener ventilación con salida al exterior.

### PRECAUCIÓN

Para reducir el riesgo de fuego y conseguir una salida del aire correcta, asegúrese de conducir el aire hacia el exterior. No permita que el aire se expulse en espacios situados en el interior de muros, techos, desvanes, sótanos de pequeña altura o garajes.

### ADVERTENCIA

PARA REDUCIR EL RIESGO DE FUEGO, UTILICE SOLAMENTE TUBOS METÁLICOS.

Instale esta campana de acuerdo con los requisitos especificados.

### ADVERTENCIA

Para reducir el riesgo de fuego o descarga eléctrica, no utilice esta campana con ningún dispositivo externo en estado sólido para el control de la velocidad.

### ADVERTENCIA

PARA REDUCIR EL RIESGO DE INCENDIO OCASIONADO POR GRASA:

- a) No deje nunca ninguna unidad externa desatendida y con valores de fuego altos. La cocción puede causar humo o reboses de grasa que pueden prender fuego. Caliente el aceite a fuego lento o medio.
- b) Encienda siempre la campana cuando cocine a una temperatura alta o cuando realice flameados (por ejemplo, Crepas Suzette, cerezas flameadas, ternera a la pimienta flameada).

- c) Limpie con frecuencia los ventiladores. No permita que la grasa se acumule en el ventilador o filtro.
- d) Utilice un tamaño de sartén adecuado. Utilice siempre piezas de batería de cocina adecuadas al tamaño del elemento de superficie.

### ADVERTENCIA

PARA REDUCIR EL RIESGO DE LESIONES PERSONALES, EN CASO DE FUEGO OCASIONADO POR GRASA, TENGA EN CUENTA LO SIGUIENTE:<sup>a</sup>

- a) **EXTINGA LAS LLAMAS** con una tapa ajustada, una lámina para hacer galletas u otro tipo de bandeja metálica y apague el quemador de gas o elemento eléctrico. **TENGA CUIDADO PARA EVITAR QUEMADURAS.** Si las llamas no se extinguen inmediatamente, **DESALOJE EL LUGAR Y LLAME A LOS BOMBEROS.**
- b) **NUNCA TOME UNA SARTÉN EN LLAMAS**, podría sufrir quemaduras.
- c) **NO UTILICE AGUA**, incluidas bayetas o toallas húmedas ya que se produciría una violenta explosión de vapor.
- d) Utilice un extintor **SÓLO** si:
  - 1) Sabe que dispone de un extintor de la clase ABC y conoce su funcionamiento.
  - 2) El fuego es pequeño y se encuentra en la misma zona donde se inició.
  - 3) Ha llamado a los bomberos.
  - 4) Puede luchar contra el fuego teniendo una salida a su espalda.

<sup>a</sup>Basado en "Consejos de seguridad para fuegos de cocina" publicado por NFPA.

**NOTA:** Este aparato no está diseñado para ser utilizado por personas (incluidos niños) con capacidades físicas, sensoriales o mentales reducidas, o con falta de experiencia y conocimientos, a menos que hayan recibido supervisión o instrucciones sobre el uso del aparato por parte de una persona responsable de su seguridad.

**NOTA:** Los niños deben ser supervisados para asegurarse de que no juegan con el aparato.

### **FUNCIONAMIENTO**

Coloque siempre las rejillas y los filtros de seguridad en su lugar correspondiente. Sin estos componentes, los ventiladores en funcionamiento podrían atrapar su pelo, sus dedos o su ropa.

El fabricante declina toda responsabilidad en caso de fallo de cumplimiento de las instrucciones aquí facilitadas para la instalación, el mantenimiento y el uso adecuado del producto. El fabricante declina además toda responsabilidad por daños ocasionados por negligencia y la garantía de la unidad queda cancelada automáticamente como consecuencia de un mantenimiento incorrecto.

### PRECAUCIÓN

Equipo operado automáticamente - para reducir el riesgo de lastimarse desconecte de la línea antes de dar servicio.

Si está provista de enchufe eléctrico, conecte la campana a una toma de corriente que cumpla con la normativa vigente y colocada en una posición accesible. Cuando no se disponga de enchufe eléctrico (conexión directa a la red eléctrica) o el enchufe no vaya a estar en una posición accesible después de la instalación, coloque un interruptor bipolar homologado en posición accesible que proporcione una desconexión total en condiciones de sobretensión de categoría III, de acuerdo con las normas locales de cableado.

# LISTA DE MATERIALES

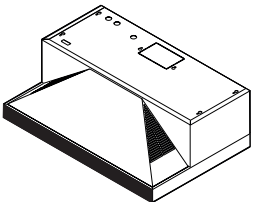
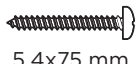





Remoción de la confección

## ⚠ PRECAUCIÓN

Quite la caja cuidadosamente, use guantes para protegerse contra los bordes afilados.

## ⚠ ADVERTENCIA

Quite la película de protección que cubre el producto antes de ponerlo en funcionamiento.

Piezas suministradas	Piezas
 <p>Campana con lámparas LED previamente instaladas</p>	1
 <p>5.4x75 mm</p>	6
 <p>5x45 mm</p>	6
 <p>4x8 mm</p>	4
 <p>4.5x13 mm</p>	4
 <p>3.5x9.5 mm</p>	3
 <p>Rondana de Ø 6.4x18 mm</p>	2

### Piezas no suministradas

#### Herramientas/Materiales necesarios

- Nivel
- Taladro con brocas de 1/4" (3,0 cm), 1/8" (3,0 mm), 1/16" (4,8 mm)
- Lápiz
- Tijeras de hojalatero
- Cinta de medir o regla
- Pinzas
- Pistola para calafateo y masilla impermeable para calafateo
- Abrazaderas para ducto
- Sierra de vaivén o sierra caladora
- Destornilladores:
  - Phillips
  - Hoja plana
  - Torx #10

#### Accesorios opcionales

KIT	# Part
Reemplazo del filtro de carbón	KIT02667

Piezas suministradas	Piezas
 <p>Transición rectangular de 3/4" x 10" (8.3 x 25.4 cm)</p>	1
 <p>Transición redonda de 6"</p>	1
 <p>Adaptador Torx #20</p>	1
 <p>8x40 mm</p>	6
 <p>10x60 mm</p>	4

#### Requisitos de ubicación:

**IMPORTANTE:** Observe todos los códigos y ordenanzas aplicables.

Haga que un técnico calificado instale la campana para cocina. Es la responsabilidad del instalador cumplir con los espacios de instalación especificados en la placa con la clasificación de modelo/serie. La placa con clasificación de modelo/serie está ubicada dentro del revestimiento, detrás del filtro, en la pared izquierda de la campana para cocina.

La ubicación de la campana para cocina deberá estar lejos de zonas con corrientes fuertes de aire, tales como ventanas, puertas u orificios de calefacción con un flujo intenso.

Deben usarse las dimensiones de la abertura del armario que se muestran. Las dimensiones proporcionadas proveen los espacios mínimos. Consulte las instrucciones de instalación del fabricante de la superficie de cocción/estufa antes de hacer cualquier corte.

Se requiere un enchufe eléctrico con conexión a tierra. Consulte la sección "Requisitos eléctricos".

La campana para cocina se ha ajustado de fábrica para las instalaciones con ventilación a través del techo o de la pared. Para ver la instalación sin ducto de escape (con recirculación), consulte "Instalación sin ducto de escape (con recirculación) a través del sofito/armario" en la sección "Preparación de la ubicación". Se deben sellar todas las aberturas en el techo y la pared en donde se va a instalar la campana para cocina.

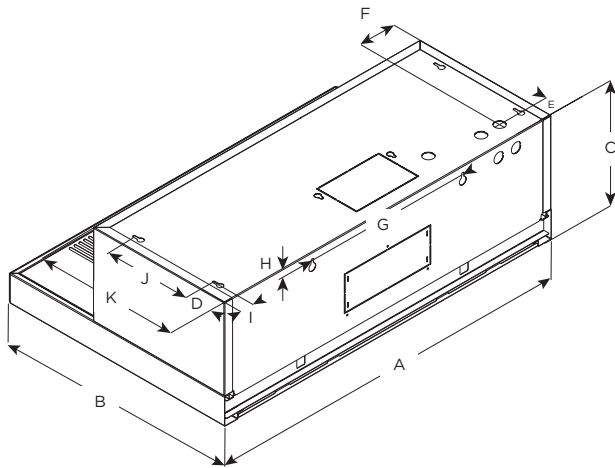
#### Para la instalación en casas rodantes:

Estándar de seguridad y construcción de casas fabricadas, Título 24 CFR, Parte 328 (anteriormente conocido como Federal Standard for Mobile Home Construction and Safety [Estándar federal para la seguridad y construcción de casas rodantes], Título 24, HUD Parte 280), o cuando dicho estándar no sea aplicable, el estándar Manufactured Home Installation (Instalación en casas fabricadas) de 1982 (Manufactured Home Sites, Communities and Setups [Obras, comunidades e instalaciones de casas fabricadas]), ANSI A225.1/NFPA.

\*TORX es una marca registrada de Saturn Fasteners, Inc.

# REQUISITOS DE INSTALACIÓN

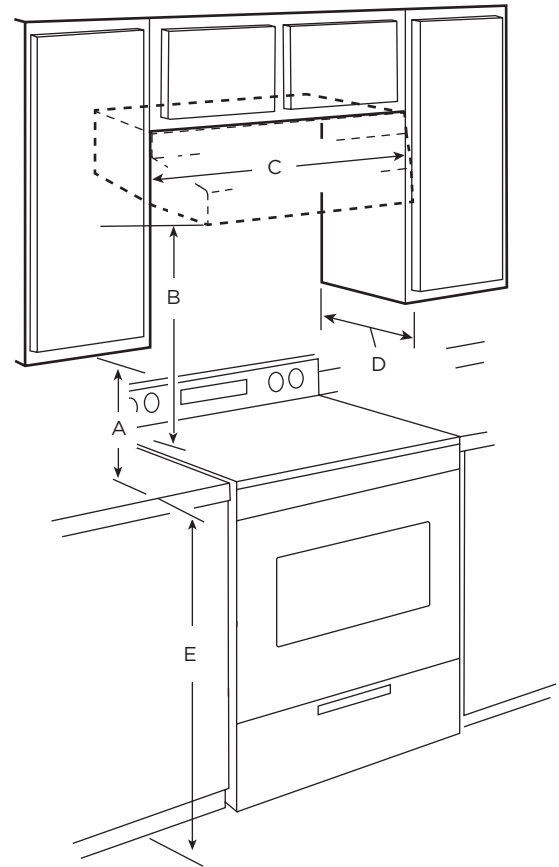
## Dimensiones del producto



	Modelos	
	EMD530S3	EMD536S3
<b>A</b>	30" (76 cm)	36" (91.2 cm)
<b>B</b>	19 <sup>5</sup> / <sub>8</sub> " (50 cm)	
<b>C</b>	9 <sup>3</sup> / <sub>4</sub> " (25 cm)	
<b>D</b>	2 <sup>3</sup> / <sub>16</sub> " (5.5 cm)	
<b>E</b>	1 <sup>1</sup> / <sub>16</sub> " (4 cm)	
<b>F</b>	3" (7.6 cm)	5 <sup>3</sup> / <sub>4</sub> " (14.6 cm)
<b>G</b>	13 <sup>13</sup> / <sub>16</sub> " (35 cm)	
<b>H</b>	5 <sup>5</sup> / <sub>8</sub> " (1.6 cm)	
<b>I</b>	1 <sup>3</sup> / <sub>16</sub> " (3 cm)	
<b>J</b>	7 <sup>1</sup> / <sub>4</sub> " (18.4 cm)	
<b>K</b>	12" (30.5 cm)	

Para instalaciones sobre estufas de gas: Monte la campana de modo que su cara inferior esté a una distancia mínima de 27" (68.6 cm) por sobre la superficie de cocinado. Para instalaciones sobre estufas eléctricas: Monte la campana de modo que su cara inferior esté a una distancia no menor a 24" (61 cm).

## Medidas de instalación



- A. 18" (45.7 cm) espacio mínimo entre el armario superior y el mostrador
- B. 24" (61 cm) mínimo desde la superficie de cocción eléctrica  
27" (68.6 cm) mínimo para superficies de cocción a gas  
36" (91.4 cm) máx. sugerido desde la base del armario hasta la superficie de cocción
- C. 30" ó 36" (76.2 cm or 91.4 cm) ancho de la abertura del gabinete
- D. 12" (30.5 cm) profundidad del gabinete
- E. 36" (91.4 cm) altura del gabinete inferior

## Requisitos de ventilación

- El sistema de ventilación debe terminar en el exterior, excepto para las instalaciones sin ducto de escape (con recirculación).
- No dirija la salida del sistema de ventilación hacia el desván u otra área cerrada.
- No utilice una cubierta de pared de tipo para lavandería de 4" (10.2 cm).
- Utilice ducto de escape de metal únicamente. Se recomienda un ducto de escape de metal rígido. No se recomienda ducto de escape de plástico u hoja metálica. El largo del sistema de ventilación y el número de codos se deben mantener.

### Para obtener el funcionamiento más eficaz y silencioso:

- No use más de 3 codos de 90°.
- Asegúrese de que haya un mínimo de 24" (61 cm) de ducto de escape recto entre los codos, si se utiliza más de 1 codo.
- No instale 2 codos lado a lado.
- El sistema de ventilación debe tener una compuerta.
- Use abrazaderas para sellar todas las juntas en el sistema de ventilación.
- Utilice masilla de calafateo para sellar la abertura exterior de la pared o el techo alrededor de la cubierta.
- El tamaño del ducto de escape debe ser uniforme.

## Instalaciones en climas fríos

Como parte del sistema de ventilación, se deberá instalar una compuerta de contratiro adicional para minimizar el flujo de aire frío hacia atrás, y un dispositivo de interrupción térmico para reducir la conducción de las temperaturas exteriores. La compuerta deberá estar en el lado del aire frío del dispositivo de interrupción térmico. El dispositivo de interrupción deberá estar lo más cerca posible del lugar donde el sistema de ventilación entra a la parte con calefacción de la casa.

### Aire de complemento

Los códigos locales de construcción podrían requerir el uso de sistemas de aire de complemento, en el caso de que se usen sistemas de ventilación con un movimiento de aire mayor a los CFM (pies cúbicos por minuto) especificados. Los pies cúbicos por minuto especificados varían entre localidades. Consulte a su profesional de Calefacción, Ventilación y Acondicionamiento de Aire (HVAC) para obtener información sobre los requisitos particulares en su zona.

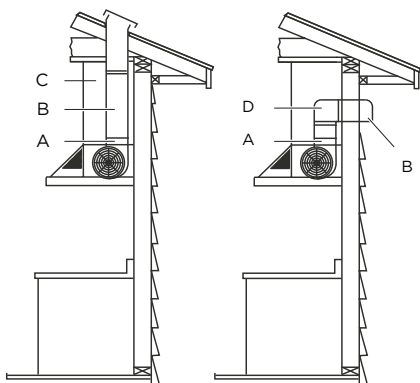
### Métodos de ventilación

La campana para cocina se ha ajustado de fábrica para tener una ventilación a través del techo o de la pared. Use un ducto de  $3\frac{1}{4}$ " x 10" (8.3 x 25.4 cm) con una ventilación de longitud máxima de 35 ft (10.7 m) ó 6" (15.2 cm) o una ventilación redonda de longitud máxima de 50 ft (15.2 m) para el sistema de ventilación.

En caso de que no sea posible la descarga de gases y del vapor procedentes de la cocina al exterior, la campana se puede utilizar en la versión sin tubos (recirculación), adquiera el Kit de Reemplazo del Filtro de Carbón.

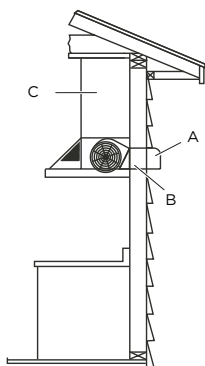
**NOTA:** No emplee tubos flexibles. Ya que esto podría generar contrapresión y turbulencias de aire, que reducirán ligeramente el rendimiento de la campana.

#### Descarga Vertical



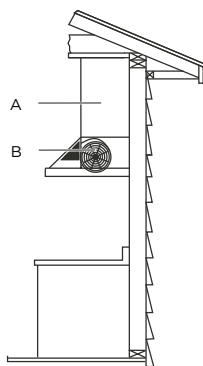
- A. Transición redonda 6" (15.2 cm)
- B. Ducto de 6" (15.2 cm)
- C. Gabinete
- D. Codo de 90°

#### Descarga Horizontal



- A. Transición rectangular de  $3\frac{1}{4}$ " x 10" (8.3 x 25.4 cm)
- B. Ducto de  $3\frac{1}{4}$ " x 10" (8.3 x 25.4 cm)
- C. Gabinete

#### Recirculante



- A. Gabinete
- B. Filtros de carbón

## Preparación

Se recomienda que un técnico cualificado instale la campana. Es la responsabilidad del instalador asegurarse que la campana cumpla con los espacios de instalación especificados para el producto.

### Prepare ubicación

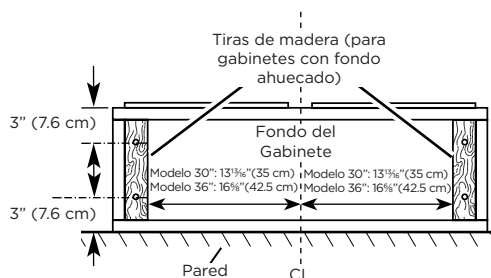
- Se recomienda que el sistema de ventilación sea instalado antes de que se instale la campana.
- Antes de hacer los recortes, asegúrese que haya suficiente espacio libre dentro del techo o la pared para el ducto de escape.
- Revise la altura de su techo y la altura máxima de la campana antes de seleccionarla.

- 1 Desconecte el suministro de energía.
- 2 Decida qué método de ventilación usar: a través del techo, de la pared o sin ducto.
- 3 Seleccione una superficie plana para ensamblar la campana para cocina. Cubra dicha superficie.

### ⚠ ADVERTENCIA

PARA REDUCIR RIESGO DE INCENDIO, CHOQUE ELÉCTRICO O LESIONES A PERSONAS, OBSERVE LO SIGUIENTE:

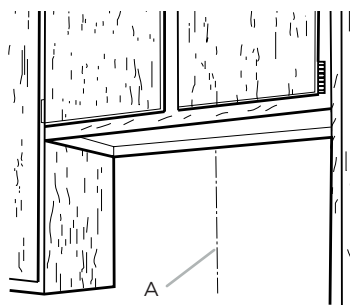
- 4 Con la ayuda de 2 ó más personas, levante la campana de cocina y colóquela en la superficie cubierta.
- 5 Si los gabinetes tienen perfiles frontales, laterales o posteriores, hacer 2 soportes de madera con el ancho del perfil y ensámblalos a ambos lados de la parte inferior del gabinete.



### Determine la ubicación del orificio de cableado

Corte solamente un orificio de acceso para el cableado de  $1\frac{1}{4}$ " (3,2 cm) de diámetro.

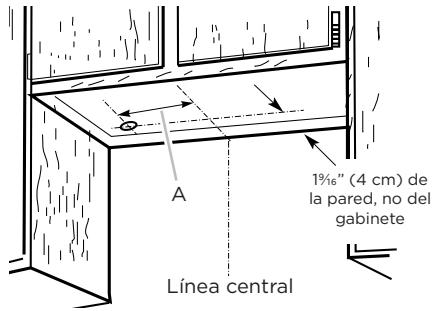
- 1 Determine y marque claramente una línea central vertical sobre la pared y el armario en el área donde se hará la abertura de ventilación.



A. Línea central

## 2 Para hacer el cableado desde la parte superior:

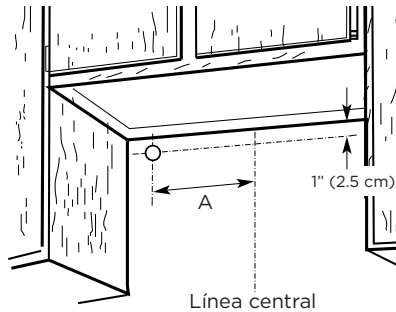
Trace una línea de distancia "A" desde la parte izquierda de la línea central en el lado de abajo del gabinete. Marque el punto sobre esta línea que esté a 1 1/16" (4 cm) desde la pared posterior. Taladre un orificio de 1/4" (3.2 cm) de diámetro a través del gabinete en este punto.



A. 12" (30.5 cm) para modelos de 30" (76.2 cm)  
12 1/4" (31.1 cm) para modelos de 36" (91.4 cm)

## 3 Para hacer el cableado a través de la pared:

Trace una línea de distancia "A" desde la parte izquierda de la línea central sobre la parte inferior de la pared. Marque el punto sobre esta línea que esté a 1" (2.54 cm) desde parte inferior del gabinete. Taladre un orificio de 1/4" (3.2 cm) de diámetro a través de la pared posterior en este punto.



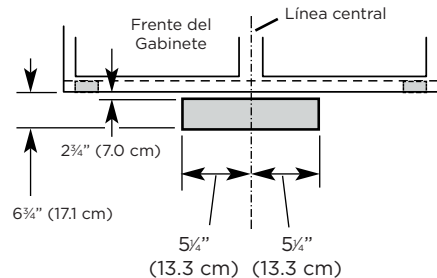
A. 12" (30.5 cm) para modelos de 30" (76.2 cm)  
12 1/4" (31.1 cm) para modelos de 36" (91.4 cm)

## ESTILO 1 - Aberturas de corte para un sistema de ventilación rectangular de 3 1/4" X 10" (8.3 CM X 25.4 CM)

### Ventilación a través de la pared

Para hacer un recorte rectangular de 4" x 10 1/2" (10.2 cm x 26.7 cm) en la pared:

- 1 Marque 2 líneas midiendo 2 3/4" (7.0 cm) y 6 3/4" (17.1 cm) abajo desde el lado de abajo del armario.
- 2 Marque líneas a 5 1/4" (13.3 cm) a la derecha e izquierda de la línea central en la pared.
- 3 Use una sierra de vaivén o caladora para cortar una abertura rectangular en la pared para el ducto de escape.

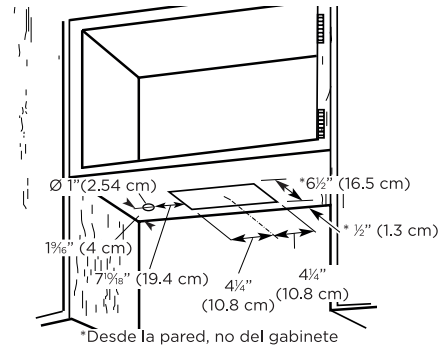


## ESTILO 2 - ABERTURAS DE CORTE PARA UN DUCTO DE ESCAPE DE LA PARTE SUPERIOR (DE UN SISTEMA DE VENTILACIÓN RECTANGULAR A UNO REDONDO DE 6" (15.2 CM))

### Ventilación a través de techo

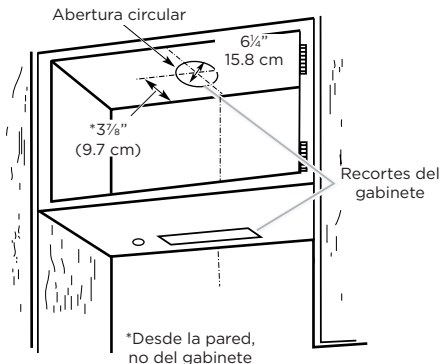
Para hacer un recorte rectangular de 6 1/2" x 8 1/2" (16.5 cm x 21.6 cm) en el lado de abajo de la parte inferior del gabinete:

- 1 Marque líneas de 1/2" (1.3 cm) y 6 1/2" (16.5 cm) desde la línea previa.
- 2 Marque líneas de 4 1/4" (10.8 cm) a la derecha e izquierda de la línea central en la parte de abajo del gabinete.
- 3 Use una sierra de vaivén o caladora para cortar una abertura rectangular para el ducto de escape.



### Para hacer aberturas para un ducto de escape circular en el lado de abajo de la parte superior del gabinete:

- 1 Marque una línea central debajo de la parte superior del gabinete.
- 2 Marque una línea de 3 3/4" (9.5 cm) desde la pared posterior, en el lado de abajo de la parte superior del gabinete.
- 3 Use un compás o una plantilla en forma circular para dibujar un círculo de 6 1/4" (15.2 cm).
- 4 Use una sierra de vaivén o caladora para cortar la abertura circular del sistema de ventilación.

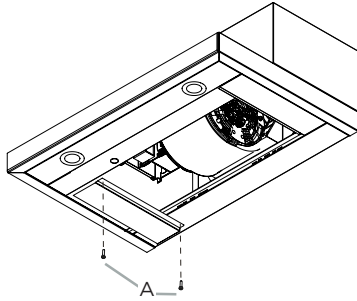


## Instalación del sistema de ventilación

- 1 Instale la ventilación a través de la abertura en el armario superior o la pared. Complete el sistema de ventilación de acuerdo con el método de ventilación seleccionado. Vea la sección "Requisitos de ventilación".
- 2 Utilice masilla de calafateo para sellar la abertura exterior de la pared o el techo alrededor de la cubierta.

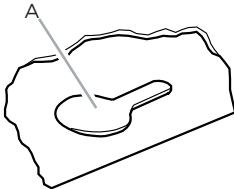
## Instalación de la campana

- 1 Remueva los filtros de grasa. Vea la sección "Mantenimiento".
- 2 Remueva la envoltura protectora del motor.
- 3 Remueva la distanciadora izquierda como se muestra en la imagen.



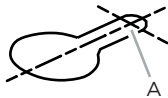
A. Tornillos de la distanciadora (2)

- 4 Levante la campana para cocina debajo del armario y determine la ubicación final centrándola debajo del armario.
- 5 Marque en la parte inferior del armario la ubicación de las 4 ranuras de montaje en forma de bocallave en la campana para cocina. Deje a un lado la campana para cocina sobre una superficie cubierta.



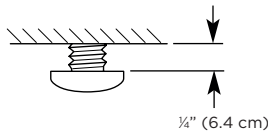
A. Ranura en forma de bocallave

- 6 Use una broca de  $\frac{1}{8}$ " (3 mm) y taladre 4 orificios piloto como se muestra.



A. Taladre un orificio piloto

- 7 Instale los 4 tornillos de montaje de 4,5 mm x 13 mm en los orificios piloto. Deje aproximadamente  $\frac{1}{4}$ " (6,4 mm) de espacio entre las cabezas de los tornillos y el gabinete para deslizar la campana para cocina en el lugar.



- 8 Vuelva a colocar la distanciadora izquierda que se removió en el paso 3.

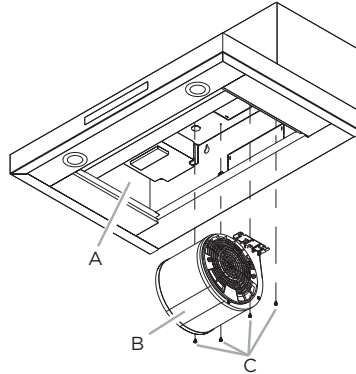
### Instalación de la transición para ventilación

Determine si se instalará la campana de cocina usando el ducto de escape superior o posterior.

### Instalación de la transición para la ventilación posterior

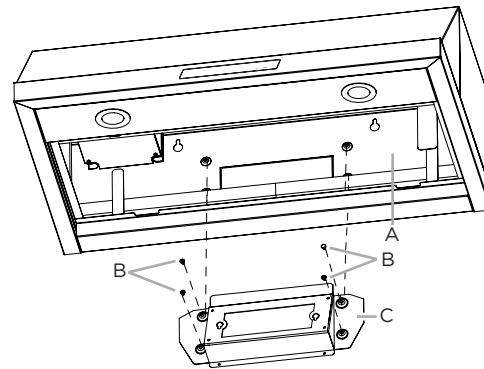
**NOTA:** Para una ventilación posterior, la posición del motor de aire debe cambiarse. Se necesitará la el soporte de montaje del motor posterior, la cual es incluida en la campana.

- 1 Quite el precorte removible posterior.
- 2 Gire la campana de manera que se vea la parte posterior de ésta. Ajuste el sistema de ventilación sobre la salida de aire. Desconecte el cable de alimentación del conector de la caja de cables del ensamble motor.
- 3 Usando el adaptador T20®, remueva los 4 tornillos que sujetan el motor en su lugar. Retire el motor y manténgalo a la mano.



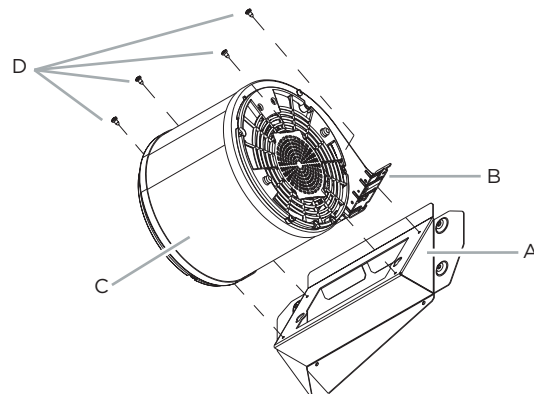
A. Campana  
B. Motor  
C. Tornillos de montaje del motor

- 4 Coloque el soporte de motor trasero en la campana y fíjelo con 4 tornillos de 4 x 8 mm.



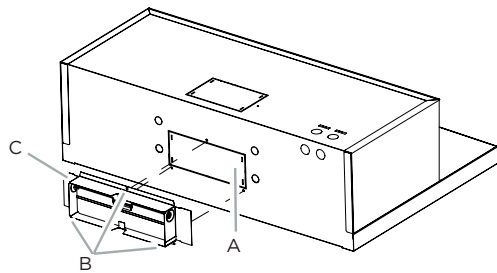
A. Campana (vista interna)  
B. Tornillos de 4 x 8 mm (4)  
C. Estufa de montaje del motor

- 5 Coloque el motor sobre el soporte trasero. Acople los pines de montaje del motor con las ranuras en el soporte trasero y empújelas hasta que queden fijas. Instale los 4 tornillos que se removieron previamente y apriételos para asegurarlos a la estufa del motor.



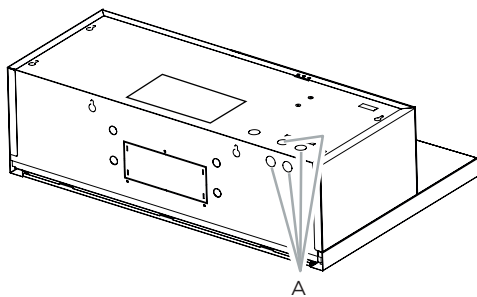
A. Estufa de montaje del motor  
B. Ranuras del motor (2)  
C. Motor  
D. Tornillos del montaje del motor (4)

- 6 Reconecte el cable de alimentación al conector de la caja de cables del ensamble de motor.
- 7 Quite el precorte posterior.
- 8 Instale la transición rectangular de 3¼"x10" (8.3 cm x 25.4 cm) usando los 3 tornillos para el montaje de la transición.



A. Cubierta posterior removible  
B. Tornillos de montaje para transición rectangular superior (3)  
C. Transición rectangular posterior

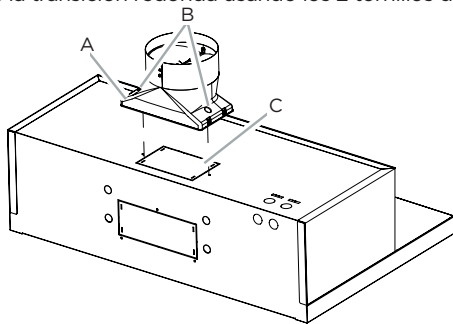
- 9 Remueva uno de los recortes removibles redondos que esté en la parte superior o posterior de la campana (dependiendo en la ubicación del cable eléctrico) use uno de ½" UL o aprobado por CSA para realizar las conexiones.



A. Precorte removible redondo

#### Instalación de la transición para la ventilación superior

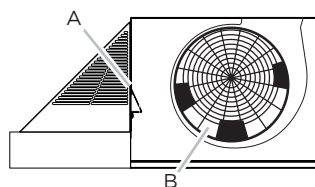
- 1 Quite el precorte removible superior.
- 2 Instale la transición redonda usando los 2 tornillos de montaje.



A. Transición redonda superior  
B. Tornillos de montaje para transición redonda superior (2)  
C. Cubierta superior removible

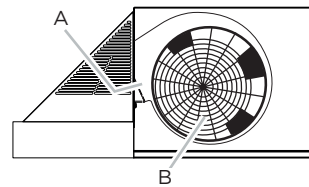
#### Instalaciones sin ducto de escape (con recirculación)

- 1 Remueva los tornillos de montaje del motor. Empújelo un poco para separarlo del ensamble de motor.



A. Ensamble de motor frontal removible  
B. Motor

- 2 Rote el motor y únalo con el ensamble del motor frontal. Instale los tornillos de montaje del motor.

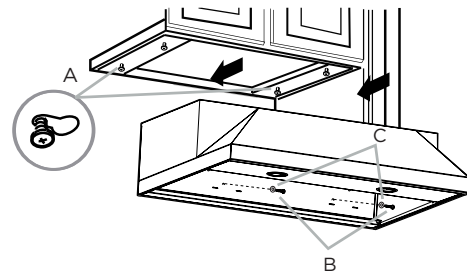


A. Ensamble de motor frontal  
B. Motor

- 3 Instale los filtros de carbón. Vea la sección "Mantenimiento".

#### Instalación de la campana al gabinete

- 1 Con la ayuda de 2 ó más personas, levante la campana en la posición final. Alimentar suficiente cable eléctrico a través de la ½" UL o aprobado por CSA para realizar las conexiones en la caja de terminales. Apriete los tornillos de seguridad.
- 2 Deslice la parte superior de la campana al gabinete, ajuste los tornillos de montaje. Asegúrese de que la cabeza de los tornillos estén en la parte angosta de los orificios de instalación.

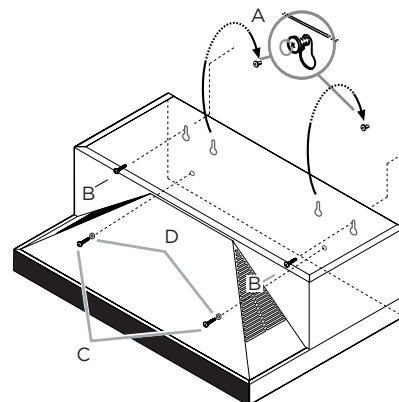


A. 4- Tornillos de montaje B. Tornillos de seguridad C. Rondanas

- 3 Apriete los tornillos. Asegúrese de que la cabeza de los tornillos quede en la parte angosta de las ranuras.
- 4 Conecte el ducto de escape a la campana. Selle las juntas con las abrazaderas o cinta para ductos, para que quede seguro y hermético.

#### Instalación de la campana a la pared

- 1 Fijar la canalización de la instalación eléctrica en la campana.
- 2 Deslizar la campana atrás contra la pared. Apretar los pernos de montaje. Asegúrese que las cabezas del tornillo estén en el cuello estrecho hendeduras del ojo de la cerradura marcado en el fondo del gabinete.

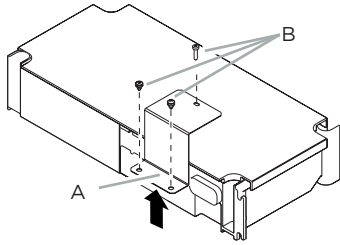


A. Tornillos de montaje  
B. Tornillos inferiores de seguridad (Instalación de pared)  
C. Tornillos inferiores de seguridad (Instalación de pared)  
D. Rondanas

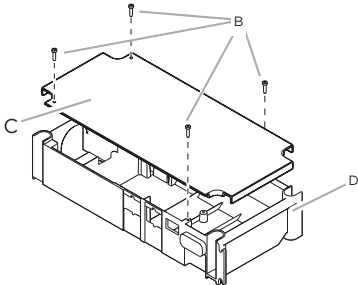
- 3 Inserte 2 tornillos en la ubicación de los tornillos superiores de seguridad (vea el inciso B en la imagen). Apriete los tornillos.
- 4 Inserte 2 tornillos en la ubicación de los tornillos inferiores de seguridad (vea el inciso C en la imagen). Apriete los tornillos.
- 5 Conecte el ducto de escape a la campana. Selle las juntas con las abrazaderas o cinta para ductos, para que quede seguro y hermético.

## Conexión Eléctrica

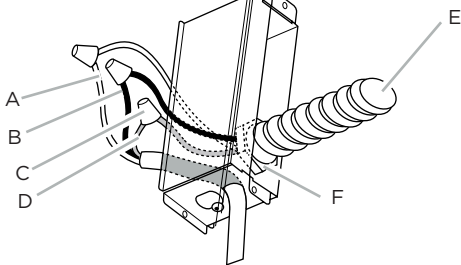
- 1 Desconecte el suministro de energía.
- 2 Remueva la estufa y seguido de esto la cubierta de la caja de terminales.



A. Estufa  
B. Tornillos de la caja de terminales  
C. Cubierta de la caja de terminales  
D. Caja de terminales



- 3 Quite el precorte removible que está en la caja de terminales e instale un protector de cables de ½" que esté en la lista de UL o esté aprobado por CSA.



A. Alambres blancos  
B. Alambres negros  
C. Conectores de alambres aprobados por UL  
D. Alambres verdes (o desnudos) y amarillos - verdes de puesta a tierra  
E. Cable de alimentación  
F. Sujeta cable de ½" (aprobado por UL o CSA)

- 4 Use conectores de alambres que estén en la lista de UL y conecte los alambres negros (B) juntos. Use conectores de alambres que estén en la lista de UL y conecte los alambres blancos (A) juntos.

### ⚠ ADVERTENCIA:

**PELIGRO DE CHOQUE ELÉCTRICO. CONECTE EL SOPLADOR A TIERRA. CONECTE EL ALAMBRE DE TIERRA AL ALAMBRE VERDE Y AMARILLO DE CONEXIÓN A TIERRA EN LA CAJA DE TERMINALES. NO SEGUIR ESTAS INSTRUCCIONES PUEDE OCASIONAR LA MUERTE O CHOQUE ELÉCTRICO.**

- 5 Conecte el alambre verde (o desnudo) de puesta a tierra del suministro de energía doméstico al alambre amarillo - verde de puesta a tierra (D) en la caja de terminales usando conectores de alambres que estén en la lista de UL.
- 6 Instale la cubierta de la caja de terminales.
- 7 Reconecte el suministro de energía.

## Completar la Instalación

Vuelva a colocar los filtros de grasa.

Verifique el funcionamiento de la campana.

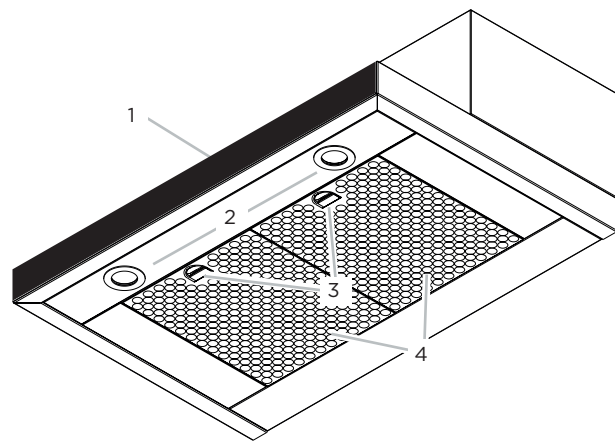
### Si la campana extractora no funciona:

- Compruebe si el disyuntor está desconectado o se han fundido los fusibles.
- Desconecte el suministro eléctrico. Compruebe si el cableado es correcto.

Para conseguir el funcionamiento más eficaz de la nueva campana extractora, lea la sección "Mantenimiento".

Para disponer de una referencia sencilla, siga las Instrucciones de instalación y la Guía de uso y mantenimiento.

## Descripción de la Campana



1. Control del motor y lámparas
2. Lámparas LED
3. Manija del filtro de grasa
4. Filtro de grasa

## Control




1. Botón ON/OFF motor (stand by)
2. Botón de selección de velocidad (potencia de aspiración) baja - cuando ésta parpadea indica la necesidad de lavar el filtro anti-grasa.
3. Botón de selección de velocidad (potencia de aspiración) media.
4. Botón de selección de velocidad (potencia de aspiración) alta.
5. Botón de selección de velocidad (potencia de aspiración) intensiva - dura 5 minutos, después de los cuales vuelve a la velocidad (potencia de aspiración) media.
6. Botón ON/OFF luz  
Presionar brevemente para encender o apagar la iluminación de la placa de cocción.  
Mantener presionado para regular la intensidad de la luz.

### Indicadores de Saturación de los filtros

A intervalos regulares la campana indica la necesidad de realizar el mantenimiento de los filtros.

**Botón MAX encendido con una luz fija:** realizar el mantenimiento de los filtros para la grasa.


**Botón  encendido con una luz intermitente:** realizar el mantenimiento del filtro de carbón activo.  
**Nota:** La indicación de la saturación de los filtros puede verse en el primer minuto después del apagado de la campana; dentro de este arco de tiempo debe realizarse el reset de los indicadores de saturación.

#### Reset de los indicadores de saturación de los filtros:

Mantenga presionado el botón .

#### Activación indicador de saturación del filtro de carbón activo

**NOTA:** esta operación debe realizarse con la campana apagada. Este indicador está normalmente desactivado; mantenga

presionado el botón  para activar la función: el botón se ilumina con una luz fija.

Para desactivar la función, mantenga presionado el botón ; el botón se ilumina con una luz intermitente.

## Sistema de Reducción de CFM

#### Antes de operar su campana:

Algunos Estados y Provincias de EU & Canadá restringen el flujo máximo de aire de las campanas de cocina. El flujo de aire es medido como pies cúbicos por minuto (CFM). Estos niveles máximos permitidos son detallados dentro del código local de su área. Cheque sus códigos locales para saber si necesita restringir el flujo máximo de escape de aire en su campana. Si su código local requiere un nivel máximo del flujo de aire menor al flujo de aire máximo de esta campana (i.e. 430 CFM), ejecute el siguiente procedimiento para reducirlo.



- 1 Apague el motor (OFF).
- 2 Presione los botones de ON/OFF (1) y velocidad intensiva (5) juntos por 3 segundos. Escuchará un beep y las luces del control se encenderán por 3 segundos. Esta acción deshabilitará las velocidades 3 y 4 y disminuirá efectivamente el máximo rendimiento a >300 CFM.
- 3 Localice el sticker certificado de CFM dentro del empaque.
- 4 Adhiera el sticker en un área visible en el motor. Este sticker proveerá una certificación oficial a su inspector local en el que se consta que el máximo poder de agotamiento.

## Mantenimiento

#### Limpieza

La campana debe ser limpiada con frecuencia tanto externamente como internamente (con la misma frecuencia con la que se realiza el mantenimiento de los filtros de grasa). Para la limpieza, utilice un paño impregnado de detergente líquido neutro. No utilice productos que contengan abrasivos. **NO UTILICE ALCOHOL!**

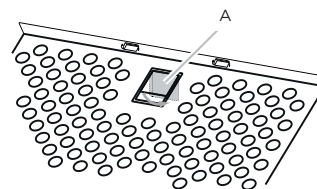
#### **ATENCIÓN:**

De no observarse las instrucciones dadas para limpiar el aparato y sustituir el filtro, puede producirse un incendio. El fabricante recomienda leerlas y respetarlas atentamente. El fabricante no se hace responsable por los daños al motor o los incendios provocados en el aparato debido a intervenciones de mantenimiento incorrectas o al incumplimiento de las normas de seguridad proporcionadas.

#### Filtro de grasa

Retiene las partículas de grasa producidas cuando se cocina. Debe limpiarse una vez al mes con detergentes no agresivos, manualmente o bien en lavavajillas a bajas temperaturas y con ciclo breve.

Con el lavado en el lavavajilla el filtro antigrasa puede desteñirse pero sus características de filtrado no cambian absolutamente. Para desmontar el filtro antigrasa, tirar de la manija de desenganche de muelle.



A. Manija de desenganche

#### Reemplazo de las lámparas LED

Las luces LED son reemplazables sólo por un técnico de servicio. Vea la sección "A quién contactar" para la información de contacto del servicio.

#### Filtro de carbón

#### **ADVERTENCIA**

Cuando se use en modo de recirculación, para reducir el riesgo de incendio y choque eléctrico use solo el kit de conversión **KIT02667**.

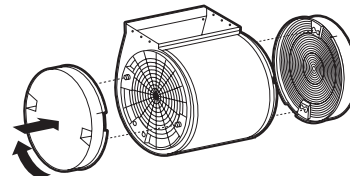
Si el modelo no puede expulsar el aire al exterior, el aire deberá ser filtrado a través de filtros de carbón desechables que ayudan a remover el humo y los olores.

- 1 Cubra la rejilla que protege el motor del motor con el filtro de carbón, de manera que las ranuras del filtro coincidan con las espigas en los lados de la rejilla del motor.
- 2 Gire el filtro de carbón hacia la derecha para asegurarlo.

**NOTA:** Desconecte cableado para poder colocar el filtro de carbón y luego vuelva a conectar.

**NOTA:** Los filtros de carbón no son lavables. Deben ser reemplazados cada 4-6 meses (dependiendo del uso de la campana).

**NOTA:** No enjuagar ni colocar filtros de carbón en lavavajillas.  
**NOTA:** Los filtros de carbón no están incluidos en su campana. Deben ser solicitados a su proveedor.



# ELICA North America

## GARANTÍA LIMITADA DE DOS AÑOS

Registre su producto en

**elica.com**

y gane un 3<sup>er</sup> año de garantía de fábrica que cubre todas las partes además de la mano de obra.

### PARA OBTENER SERVICIO DENTRO DE GARANTÍA

El propietario debe presentar su recibo original de la compra. Guarde por favor una copia de su recibo de compra como prueba, para recibir el servicio dentro del periodo de garantía.

### PARTES Y GARANTÍA DE SERVICIO

Por el periodo de dos (2) años desde la fecha original de la compra, Elica proveerá, gratuitamente, partes no-consumibles o componentes que hayan fallado debido a defectos de fabricación. Durante estos dos (2) años de garantía limitada, Elica también proveerá gratuitamente, todo el servicio en casa y mano de obra necesaria para reemplazar cualquier parte defectuosa.

### QUÉ NO ESTÁ CUBIERTO

- Daños o fallas del producto causados por accidente o actos de Dios, tales como inundaciones incendios o terremotos.
- Daños o fallas causadas por alteración del producto o por el uso de partes no-originales.
- Daños o fallas del producto causados durante la entrega, manejo o instalación.
- Daños o fallas del producto causados por abuso del usuario.
- Daños o fallas del producto causados por reemplazo de fusibles dañados o reseteo de interruptor de circuito.
- Daño o fallas causados por el uso del producto en un ambiente comercial (no doméstico).
- Viajes de servicio para proporcionar orientación de uso o instalación.
- Bombillas, filtros de carbón o metal y cualquier otra parte consumible.
- Desgaste normal.
- Desgaste terminal debido a abusos del usuario, mantenimiento inadecuado, uso de productos / toallas de limpieza corrosivos o abrasivos y por uso de limpiadores para hornos.
- Cuando el producto no hubiese sido operado de acuerdo con el instructivo de uso que se le acompaña.

### QUIÉN ESTÁ CUBIERTO

Esta garantía se extiende al comprador original de productos adquiridos para uso residencial en Norte América (incluyendo Estados Unidos, Guam, Puerto Rico, Islas Vírgenes de EU y Canadá).

Esta garantía no es transferible y aplica solamente al comprador original y no se extiende a propietarios subsecuentes del producto. Esta garantía se expresa en lugar de otras garantías, expresadas o implícitas, incluyendo, pero no limitada a ninguna garantía implícita de comercialización o adaptada para propósitos particulares y cualquier otra obligación por parte de Elica North America, considerando, sin embargo, que si la negación de garantías implícitas es inefectiva bajo la ley aplicable, la duración de cualquier garantía implícita será limitada a dos (2) años desde la fecha original de compra o por el periodo necesario como sea requerido por la ley aplicable.

Esta garantía no cubre cualquier daño especial, incidental y/o consecuente, ni pérdidas de ganancias, sufridas por el comprador original, sus clientes y/o usuarios del producto.

### A QUIÉN CONTACTAR

Para obtener Servicio bajo Garantía o para cualquier pregunta relacionada a Servicio:  
Favor de llamar a:

- **USA & CANADA - Provincias Occidentales**  
**SERVICE POWER**  
888 732 8018  
elica@servicepower.com
- **CANADA - Provincia de Ontario**  
**AGI Services**  
888 651 2534  
service@agintl.qc.ca
- **CANADA - Provincias de Quebec & Atlántico**  
**Ateliers G. Paquette**  
800 463 0119  
service@ateliersgpaquette.com

Para garantizar un rápido servicio postventa, cuando llame le pediremos que amablemente brinde la siguiente información que se indica en la placa de identificación que está dentro de la campana: **modelo de campana, 12 NC y fecha de compra en su factura original**. Para acceder a la placa de identificación, todo lo que tiene que hacer es quitar los filtros de grasa.

**12NC:** \_\_\_\_\_

**Modelo de campana:** \_\_\_\_\_

**No. Serie:** \_\_\_\_\_

**Fecha de compra en su factura original:** \_\_\_\_\_



