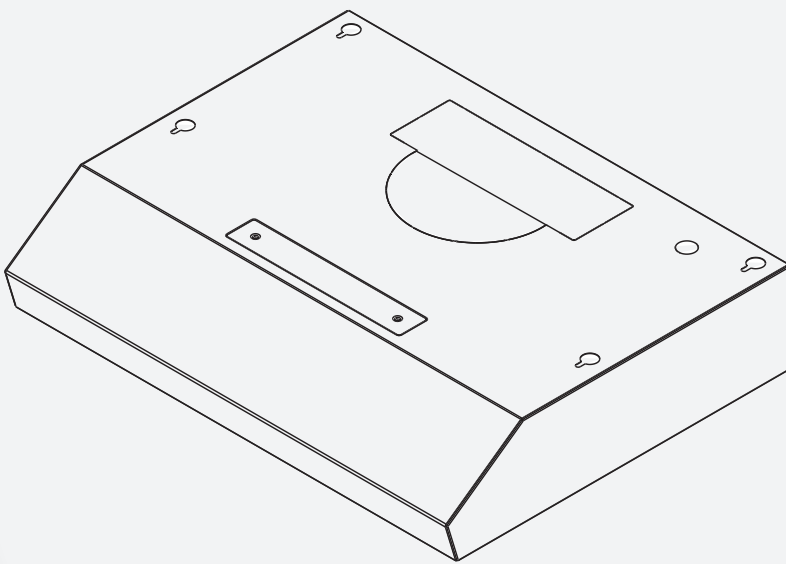


Use, Care, and Installation Guide

Guide
d'utilisation,
d'entretien et
d'installation

Guía de
instalación, uso y
mantenimiento



READ AND SAVE THESE
INSTRUCTIONS

LISEZ CES
INSTRUCTIONS ET
CONSERVEZ-LES

LEA Y CONSERVE
ESTAS
INSTRUCCIONES

MODELS: | EGB224SS

LIB0175565B
PRINTED IN MEXICO

Contents

Important Safety Notice..... 3
 Electrical & Installation Requirements 4
 Before Installing the Hood..... 4
Dimensions and Clearances 4
List of Materials 5
 Parts Supplied 5
 Parts Not Supplied..... 5
Ducting Options 5
 Ductless (Recirculating) 5
 Horizontal Discharge 5
 Vertical Discharge..... 6
Prepare the Location 6
Installation of the Hood 7
 Electrical Connection..... 10
 Complete Installation..... 10
Description of the Hood..... 10
 Control..... 10
Range Hood Care..... 11
WARRANTY 12

**APPROVED FOR RESIDENTIAL APPLIANCES
FOR RESIDENTIAL USE ONLY
READ AND SAVE THESE INSTRUCTIONS**

**PLEASE READ ENTIRE INSTRUCTIONS BEFORE PROCEEDING.
INSTALLATION MUST COMPLY WITH ALL LOCAL CODES.**

IMPORTANT: Save these Instructions for the Local Electrical Inspector’s use.

INSTALLER: Please leave these Instructions with this unit for the owner.

OWNER: Please retain these instructions for future reference.

Safety Warning: Turn off power circuit at service panel and lock out panel, before wiring this appliance.

Requirement: 120 V AC, 60 Hz. 15 or 20 A Branch Circuit.

⚠ Important Safety Notice

⚠ CAUTION

FOR GENERAL VENTILATING USE ONLY. DO NOT USE TO EXHAUST HAZARDOUS OR EXPLOSIVE MATERIALS OR VAPOURS.

⚠ WARNING

TO REDUCE THE RISK OF FIRE, ELECTRIC SHOCK, OR INJURY TO PERSONS, OBSERVE THE FOLLOWING:

- A. Use this unit only in the manner intended by the manufacturer. If you have questions, contact the manufacturer.
- B. Before servicing or cleaning the unit, switch power off at service panel and lock service panel disconnecting means to prevent power from being switched on accidentally. When the service disconnecting means cannot be locked, securely fasten a prominent warning device, such as a tag, to the service panel.
- C. Installation work and electrical wiring must be done by qualified person(s) in accordance with all applicable codes & standards, including fire-rated construction.
- D. Sufficient air is needed for proper combustion and exhausting of gases through the flue (Chimney) of fuel burning equipment to prevent back-drafting. Follow the heating equipment manufacturers guideline and safety standards such as those published by the national fire protection association (NFPA), the american society for heating, refrigeration and air conditioning engineers (ASHRAE), and the local code authorities.
- E. When cutting or drilling into wall or ceiling, do not damage electrical wiring and other hidden utilities.
- F. Ducted systems must always be vented to the outdoors.

⚠ CAUTION

To reduce risk of fire and to properly exhaust air, be sure to duct air outside - do not vent exhaust air into spaces within walls, ceilings, attics, crawl spaces, or garages.

⚠ WARNING

TO REDUCE THE RISK OF FIRE, USE ONLY METAL DUCT WORK.

Install this hood in accordance with all requirements specified.

⚠ WARNING

To reduce the risk of fire or electric shock, do not use this hood with any external solid state speed control device.

⚠ WARNING

TO REDUCE THE RISK OF A RANGE TOP GREASE FIRE.

- a) Never leave surface units unattended at high settings. Boilovers cause smoking and greasy spillovers that may ignite. Heat oils slowly on low or medium settings.
- b) Always turn hood ON when cooking at high heat or when flambeing food (I.e. Crepes Suzette, Cherries Jubilee, Peppercorn Beef Flambe').
- c) Clean ventilating fans frequently. Grease should not be allowed to accumulate on fan or filter.
- d) Use proper pan size. Always use cookware appropriate for the size of the surface element.

⚠ WARNING

TO REDUCE THE RISK OF INJURY TO PERSONS, IN THE EVENT OF A RANGE TOP GREASE FIRE, OBSERVE THE FOLLOWING:

- a) SMOTHER FLAMES with a close-fitting lid, cookie sheet, or other metal tray, then turn off the gas burner or the electric element. BE CAREFUL TO PREVENT BURNS. If the flames do not go out immediately, EVACUATE AND CALL THE FIRE DEPARTMENT.
- b) NEVER PICK UP A FLAMING PAN - you may be burned.
- c) DO NOT USE WATER, including wet dishcloths or towels - a violent steam explosion will result.
- d) Use an extinguisher ONLY if:
 - 1) You know you have a class ABC extinguisher, and you already know how to operate it.
 - 2) The fire is small and contained in the area where it started.
 - 3) The fire department is being called.
 - 4) You can fight the fire with your back to an exit.
- e) Ducted fans must always be vented to the outdoor.

^aBased on "Kitchen Fire Safety Tips" published by NFPA.

NOTE: This appliance is not intended for use by persons (including children) with reduced physical, sensory or mental capabilities, or lack of experience and knowledge, unless they have been given supervision or instruction concerning use of the appliance by a person responsible for their safety.

NOTE: Children should be supervised to ensure that they do not play with the appliance.

**READ AND SAVE THIS INSTRUCTION MANUAL FOR
FUTURE REFERENCE**

IMPORTANT

Observe all governing codes and ordinances.

It is the customer's responsibility:

- To contact a qualified electrical installer.
- To assure that the electrical installation is adequate and in conformance with National Electrical Code, ANSI/NFPA 70 — latest edition*, or CSA Standards C22.1-94, Canadian Electrical Code, Part 1 and C22.2 No.0-M91-latest edition** and all local codes and ordinances.
- If codes permit and a separate ground wire is used, it is recommended that a qualified electrician determine that the ground path is adequate.
- Do not ground to a gas pipe.
- Check with a qualified electrician if you are not sure range hood is properly grounded.
- Do not have a fuse in the neutral or ground circuit.

IMPORTANT

- Save Installation Instructions for electrical inspector's use.
- The range hood must be connected with copper wire only.
- The range hood should be connected directly to the fused disconnect (Or circuit breaker) box through metal electrical conduit.
- Wire sizes must conform to the requirements of the National Electrical Code ANSI/NFPA 70 — latest edition*, or CSA Standards C22.1-94, Canadian Electrical Code Part 1 and C22.2 No. 0-M91 - latest edition** and all local codes and ordinances.
- A U.L.- or C.S.A.-listed conduit connector must be provided at each end of the power supply conduit (at the range hood and at the junction box).

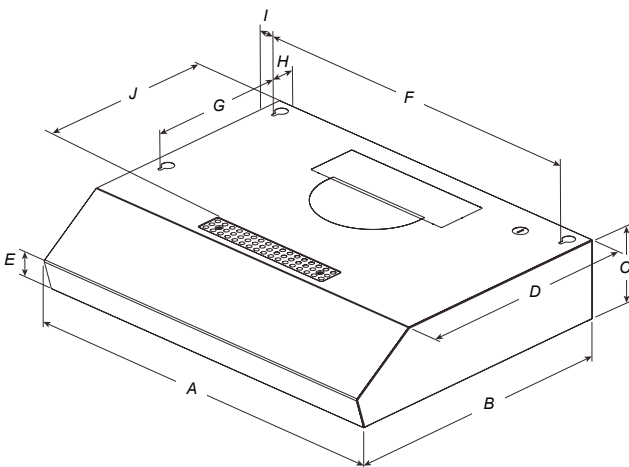
If provided with an electrical plug, connect the hood to a receptacle that complies with current regulations and placed in an accessible position. Where an electrical plug is not provided (direct connection to electrical network) or the plug will not be in an accessible position after installation, place an approved bipolar switch in accessible position that provides full disconnection under overvoltage category III conditions, in accordance with local wiring rules.

Copies of the standards listed may be obtained from:
 * National Fire Protection Association Batterymarch Park Quincy, Massachusetts 02269
 ** CSA International 8501 East Pleasant Valley Road Cleveland, Ohio 44131-5575

Before Installing the Hood

- 1 For the most efficient air flow exhaust, use a straight run or as few elbows as possible.
CAUTION: Vent unit to outside of building, only.
- 2 At least two people are necessary for installation.
- 3 Fittings material is provided to secure the hood to most types of walls/ceilings, consult a Qualified Installer, check if they perfectly fit with your cabinet/wall.
- 4 Do not use flex ducting.
- 5 **COLD WEATHER** installations should have an additional backdraft damper installed to minimize backward cold air flow and a nonmetallic thermal break to minimize conduction of outside temperatures as part of the ductwork. The damper should be on the cold air side of the thermal break.
 The break should be as close as possible to where the ducting enters the heated portion of the house.
- 6 Make up air: Local building codes may require the use of Make-Up Air Systems when using Ducted Ventilation Systems greater than specified CFM of air movement. The specified CFM varies from locale to locale. Consult your HVAC professional for specific requirements in your area.

Dimensions and Clearances



EGB224SS	
A	24" (61 cm)
B	18 ⁷ / ₈ " (48 cm)
C	4 ¹⁵ / ₁₆ " (12.5 cm)
D	14 ¹ / ₂ " (36.7 cm)
E	2" (5.2 cm)
F	22 ¹ / ₄ " (56.3 cm)
G	9 ⁵ / ₈ " (24.5 cm)
H	1 ¹ / ₂ " (3.8 cm)
I	1" (2.3 cm)
J	12 ¹ / ₄ " (31.1 cm)

List of Materials





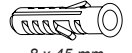
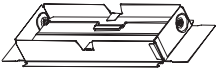
Removing the packaging.

⚠ CAUTION

Remove carton carefully, wear gloves to protect against sharp edges.

⚠ WARNING

Remove the protective film covering the product before putting into operation.

Parts Supplied			
Part	Qty	Part	Qty
 3.5 x 9.5 mm	2	 Torx® T10 adapter	1
 5 x 45 mm	2	 4.5x13 mm	4
 8 x 45 mm	2	 3 1/4" x 10" (8.3 x 25.4 cm) rectangular damper	1

Optional accessories and consumable parts

KIT	# Part
No return valve 7"	KIT02723
Duct Transition 7"	KIT02722

Parts Not Supplied

Tools/Materials required

- Level
- Drill with 1/8" (3 mm), 1/2" (13 mm) and 1/4" (30 mm) drill bits
- Pencil
- Wire stripper or utility knife
- Tape measure or ruler
- Pliers
- Caulking gun and weatherproof caulking compound
- Saber or keyhole saw
- Metal snips
- Screwdrivers:
 - #2 Phillips
 - Flat - blade

Parts needed

- Home power supply cable
- 1/2" (12.7 mm) UL listed or CSA approved strain relief
- 3 UL listed wire connectors

For 7" (17.8 cm) round vented installations

- 7" (17.8 cm) round metal vent system with wall or roof cap
- Vent clamps

For 3 1/4" x 10" (8.3 x 25.4 cm) rectangular vented installations

- 3 1/4" x 10" (8.3 x 25.4 cm) rectangular metal vent system with wall or roof cap.

Ducting Options

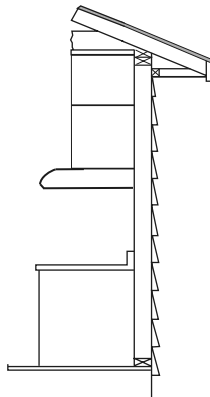
Closely follow the instructions set out in this manual.

All responsibility, for any eventual inconveniences, damages or fires caused by not complying with the instructions in this manual, is declined.

Ductless (Recirculating)

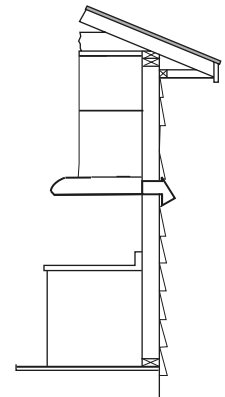
NOTE:

In cases where it should not be possible to discharge cooking fumes and vapour to the outside, purchase: The Ductless Recirculating KIT0140997.

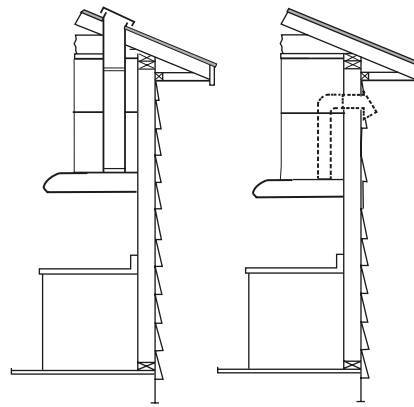


Horizontal Discharge

Use a rectangular duct 3 1/4" x 10" for discharge of fumes to the outside.



Use a rectangular duct 3¼" x 10" or use a 7" (17.8 cm) round transition for discharge of fumes to the outside.



Preparation

Do not cut a joist or stud unless absolutely necessary. If a joist or stud must be cut, then a supporting frame must be constructed.

Fittings material is provided to secure the hood to most types of walls/ceilings.

However, a qualified technician must verify suitability of the materials in accordance with the type of wall/ceiling.

Before making cutouts, make sure there is proper clearance within the ceiling or wall for exhaust vent.

Recommended installation height:

⚠ CAUTION

For gas cooktop & range installations: Mount the hood so the bottom is at least 30" (76.2 cm) above the cooking surface.

For electric/induction cooktop & range installations: Mount the hood so the bottom is at least 24" (61 cm) above the cooking surface.

There is no maximum mounting height, however, we recommend mounting the hood no greater than 36" (91.4 cm) above the cooking surface.

For every inch (2.54 cm) above 36" (91.4 cm), fume and moisture capture efficiency diminishes at an increasing rate and may not deliver an acceptable level of ventilating performance. HOUSEHOLD USE. PLEASE, READ INSTALLATION MANUAL FOR SPECIFIC APPLICATION.

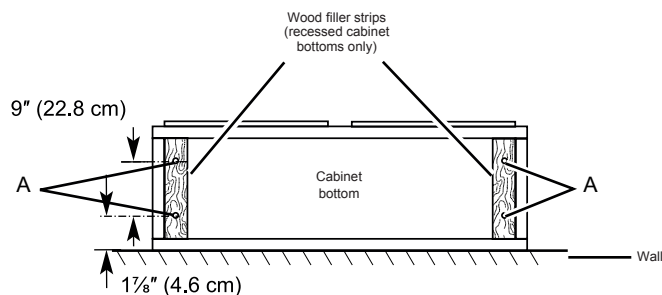
Check your ceiling height and the hood height maximum before you select your hood.

Prepare the Location

⚠ WARNING

USE TWO OR MORE PEOPLE TO MOVE AND INSTALL THE RANGE HOOD. FAILURE TO DO SO CAN RESULT IN INJURY.

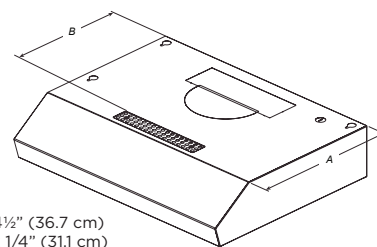
NOTE: Mark the Range Hood knockouts on the wall and make the necessary cutouts before installing the hood.



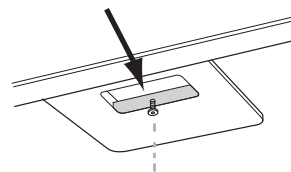
1 If cabinet has recessed bottom, add wood filler strips on each side. Install 4 flat head wood screws with washers and nuts to attach filler strips in locations shown.

NOTE: For installations to a surface other than drywall, it is recommended that a qualified contractor determine the anchoring method.

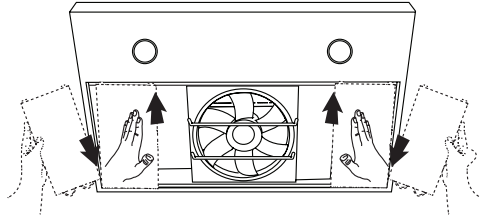
NOTE: Consider use the A measure for 7" (17.8 cm) round transition and B measure for 3¼" x 10" (8.3 x 25.4 cm) rectangular metal vent system.



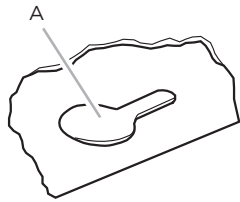
2 Remove the grease filter by pulling the filter latch toward the back of the range hood and using a Torx T10 adapter, remove the screw from the filter retainer.



- Remove the lateral panels by pulling them horizontally to the back of the hood and then release the brackets on the front.



- Using 2 or more people, lift the range hood up under cabinet and determine final location by centering beneath cabinet. Mark on the underside of cabinet the location of the 4 keyhole mounting slots on the range hood (A) **NOTE:** Mark the thin area of the slot. On the back wall mark the holes for the security screws (B). Set range hood aside on a covered surface.



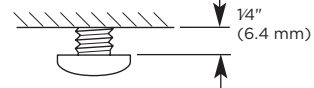
A. Keyhole slot

- Use $\frac{1}{8}$ " (3 mm) drill bit and drill 4 pilot holes. **NOTE:** Make the drill holes on the thin area of the slot.

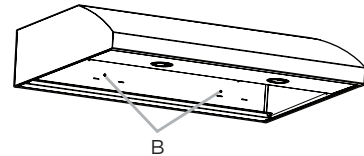


A. Drill pilot hole

- Install the 4 - .45 cm x 1.3 cm mounting screws in pilot holes. Leave about $\frac{1}{4}$ " (6.4 mm) space between screw heads and cabinet to slide range hood into place

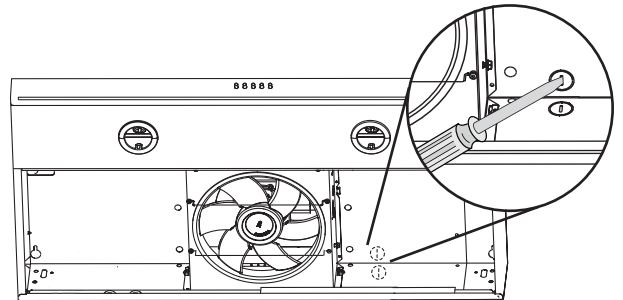


- Use $\frac{8}{25}$ " (8mm) drill bit and drill 2 pilot holes in the marks for the security screws, then place the drywall anchors.



Prepare Range Hood

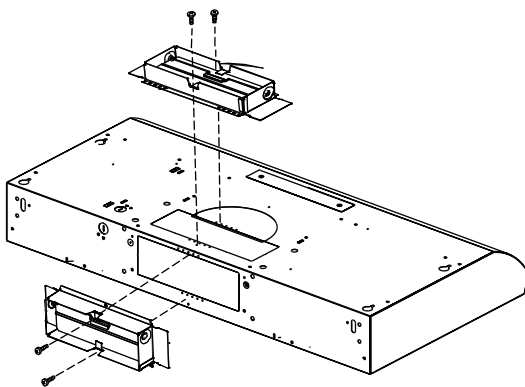
- Set the range hood on its back on a covered surface.



- Using a flat head screwdriver, remove the appropriate power supply knockout.

Installation of the Hood

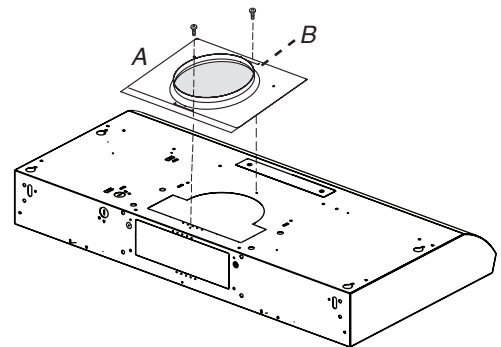
Attach Vent Damper or Transition



Using (2) short Phillips head screws, install the $3\frac{1}{4}$ " x 10" (8.3 x 25.4 cm) rectangular damper over the top or rear vent knockout removed in previous step.

NOTE: If the wall cap used has a damper and it interferes with the rectangular damper, remove the rectangular damper flap.

7" (17.8 cm) Round Vent Mounting Plate

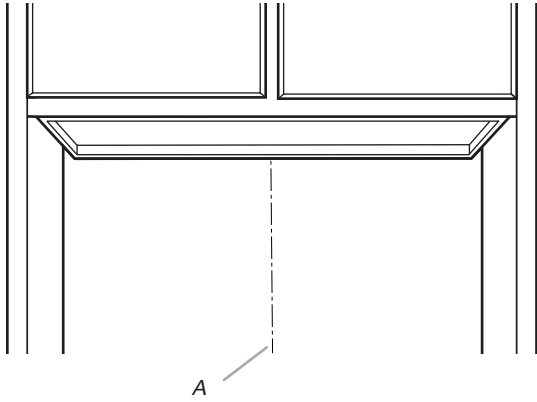


Using (2) short Phillips head screws, install the 7" (17.8 cm) round vent mounting plate (A) over the vent knockout removed in previous step. Position the wide flange (B) to the front.

If installing the optional round damper, position it over the round vent mounting plate.

Mark Hole Locations

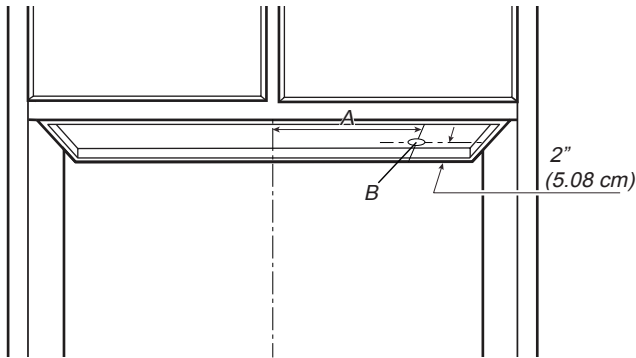
Determine and clearly mark a vertical centerline (A) on the wall and cabinet bottom.



A. Centerline

To wire through top:

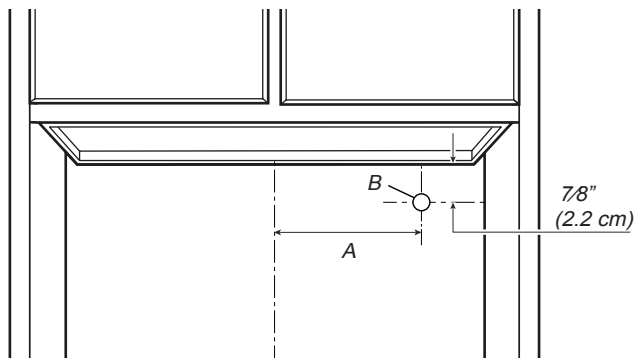
Mark a line distance (A) from the right of the centerline on the underside of the cabinet. Mark the point on this line that is 2" (5.08 cm) from the rear wall. Drill a $\frac{7}{8}$ " (2.2 cm) diameter hole (B) through the underside of the cabinet at this point.



A. 8 3/8" (21.3cm)

To wire through wall:

Mark a line distance (A) from the right of the centerline on the underside of the cabinet. Mark the point on this line that is $\frac{7}{8}$ " (2.2 cm) from the underside of the cabinet. Drill a $\frac{7}{8}$ " (2.2 cm) diameter hole (B) through the rear wall at this point.



A. 8 3/8" (21.3cm)

Mark and Cut Vent Opening

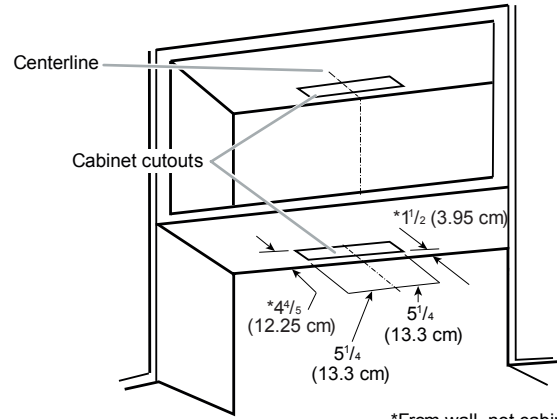
For a non-vented (recirculating) installation: skip "Mark and Cut Vent Opening" step.

For 3 1/4" x 10" (8.3 x 25.4 cm) Rectangular Vent System

Roof Venting

To make a 4" x 10 1/2" (10.16 cm x 26.7 cm) rectangular cutout on the underside of cabinet top and bottom:

- 1 Mark lines 1/2" (3.95 cm) and 4 4/5" (12.25 cm) from the back wall on the centerline of the underside of cabinet. Mark lines 5 1/4" (13.3 cm) to the right and left of the centerline on the underside of cabinet.

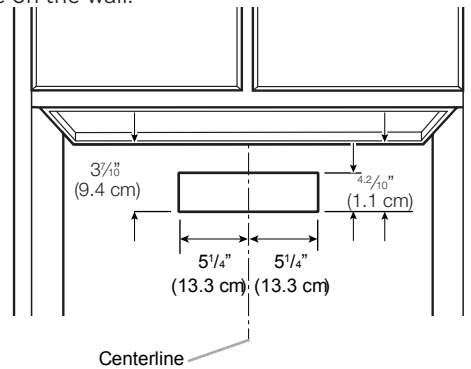


- 2 Use saber or keyhole saw to cut a rectangular opening for vent.
- 3 Repeat steps 1-3 for the underside of the top of the cabinet.

Wall Venting

To make a 3 1/2" x 10 1/2" (8.9 cm x 26.7 cm) rectangle in the wall:

- 1 Make 2 lines by measuring $\frac{4}{10}$ " (1.1 cm) and $3\frac{3}{4}$ " (9.4 cm) down from underside of cabinet and mark on the centerline on the back wall.
- 2 Mark lines 5 1/4" (13.3 cm) to the right and left of the centerline on the wall.

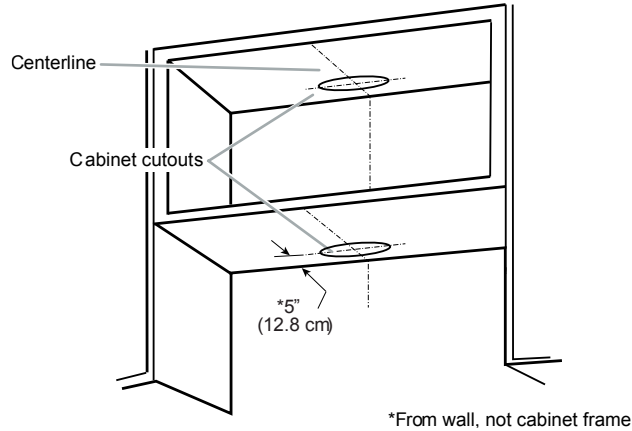


- 3 Use saber or keyhole saw to cut a rectangular opening in the wall for the vent.

For 7" (17.8 cm) Round Vent System (Roof Venting)

To make a circular vent opening on the underside of the cabinet top:

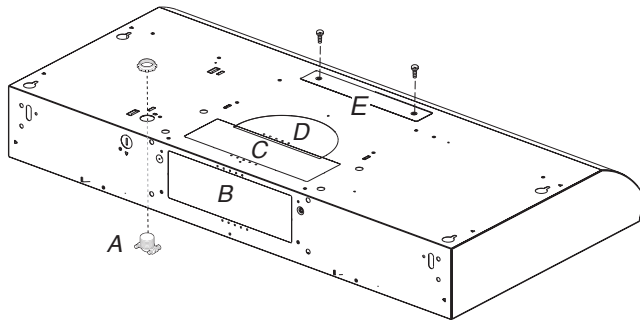
- 1 Mark a centerline on the underside of the top of cabinet.
- 2 Mark a line 5" (12.8 cm) from the back wall on the underside of the top of cabinet.
- 3 Use a compass or a circle template to draw a circle with a diameter of 7½" (19 cm).
- 4 Use saber or keyhole saw to cut the circular vent opening. Repeat steps 1-3 for the underside of the top of the cabinet.



Drill Electrical Opening

- 1 Using a 1¼" (3 cm) drill bit, drill the hole in the dot marked previously at the electrical strain relief.

Prepare Range Hood Vents



Install Strain Relief

- 1 Install a UL listed/CSA approved ½" (13 mm) strain relief (A).

For non-vented (Recirculating) Installations

- Remove the (2) T10 Torx® screws and remove the top, front rectangular vent cover (E). Go to "Electrical Connection" step.

For 3¼" x 10" (8.3 x 25.4 cm) Rectangular Vent Installations

- For top vent installations, remove the top rectangular vent knockout (C).

OR

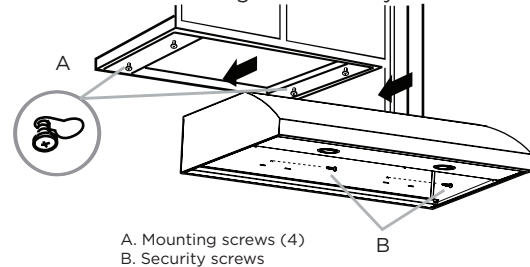
- For wall vent installations, remove the rear rectangular vent knockout (B).

For 7" (17.8 cm) Round Vent Installations

- Remove both top knockouts (C and D).

Mounting the Hood

- 1 Using 2 or more people, lift the hood into final position. Feed enough electrical wire through the ½" UL listed or CSA approved strain relief to make connections in the terminal box. Tighten the strain relief screws.
- 2 Position the range hood so that the large end of the keyhole slots are over the mounting screws. Then push the hood toward the wall so that the screws are in the neck of the slots. Install the .5 cm x 4.5 cm mounting screws in drywall anchors.



- 3 Tighten the mounting screws, making sure the screws are in the narrow neck of slots.
- 4 Tighten the security screws to the wall.
- 5 For direct wire installations, run the home power supply cable according to the National Electric Code or CSA standards and local codes and ordinances. There must be enough wiring from the fused disconnect (or circuit breaker) box to make the connection in the range hood electrical terminal box.

NOTE: Do not reconnect power until the installation is complete.

OPTIONAL: If you prefer, bend the rear tabs against the rear of the range hood and attach to the wall using #8-18 x 5/8" (4.2 x 16 mm) truss-head screws.

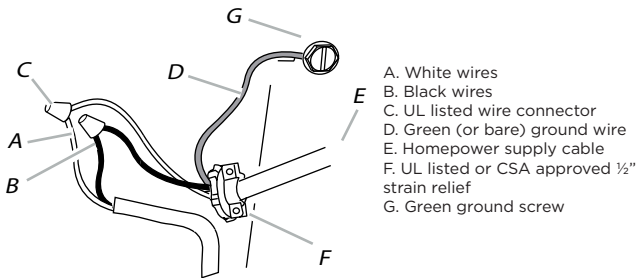
Connect Vent System

- 1 Connect the vent work to the range hood.
- 2 Seal joints with vent clamps or duct tape to make secure and airtight.
- 3 Check that the backdraft dampers work properly.

Electrical Connection

⚠ WARNING

ELECTRICAL SHOCK HAZARD. DISCONNECT POWER BEFORE SERVICING. REPLACE ALL PARTS AND PANELS BEFORE OPERATING. FAILURE TO DO SO CAN RESULT IN DEATH OR ELECTRICAL SHOCK.



- 1 Remove the knockout and the Junction box cover, and then install the conduit connector (cULus listed) in the junction box.
- 2 Run 3 wires - black, white, and green - according to the National Electrical Code and local codes and ordinances, in 1/2" conduit from the service panel to the junction box.

⚠ WARNING

ELECTRICALLY GROUND THE BLOWER. CONNECT THE GROUND WIRE TO THE GREEN AND YELLOW GROUND WIRES IN THE TERMINAL BOX. FAILURE TO DO SO CAN RESULT IN DEATH OR ELECTRICAL SHOCK.

- 3 Connect the black wire from the service panel to the black or the red in the junction box. Connect the white to white and green to green-yellow.
- 4 Close and secure the junction box cover.

Complete Installation

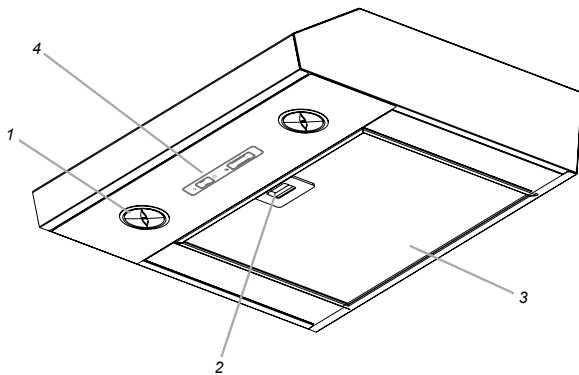
- 1 Replace the filters and check the operation of the hood.
- 2 Replace the filter.
 - **For vented installations:** Install a metal filter.
 - **For non-vented (recirculating) installations:** Install a charcoal filter.

If the range hood does not operate:

- Confirm that the circuit breaker is not tripped or the house fuse blown.
- Disconnect the power supply, and then check if the wiring is correct.

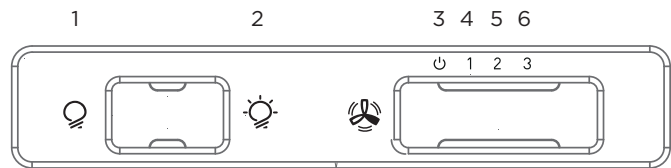
To get the most efficient use from your new range hood, read the "Use and Care Information" section. Keep your Installation Instructions and Use and Care Guide close to range hood for easy reference.

Description of the Hood



1. LED lamps
2. Grease filter handle
3. Grease filter
4. Blower and light controls

Control



1. Light On
2. Light Off
3. Blower On/Off
4. Blower speed minimum button
5. Blower speed medium button
6. Blower speed maximum button

Operating the light

Move the light switch to turn on and off the light.

Operating the blower

Move the motor switch to position 1, 2 or 3 depending on the desired speed.

Range Hood Care

User Servicing Instructions

Cleaning

Exterior surfaces:

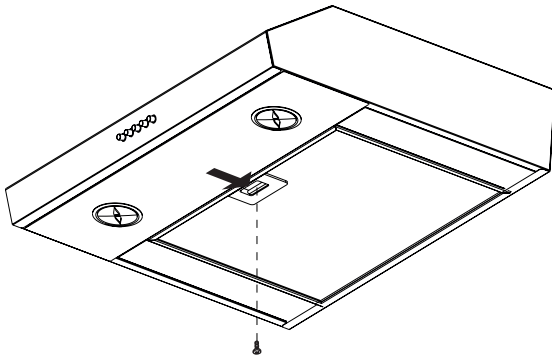
To avoid damage to the exterior surface, do not use steel wool or soap-filled scouring pads. Do not use chlorine based cleaners. Rub in the direction of the grain line to avoid scratching the surface.

- For a thorough cleaning, use Stainless Steel Cleaner and Polish.
- For everyday cleaning, use a mild liquid detergent and water. Dry thoroughly.
- For a quick cleaning, wipe with a damp soft cloth or nonabrasive sponge, then rinse with clean water and wipe dry.

NOTE: Always wipe dry to avoid water marks.

Metal or Charcoal Grease Filter

- 1 Pull the filter latch toward the back of the range hood and using a Torx T10 adapter, remove the screw from the filter retainer.



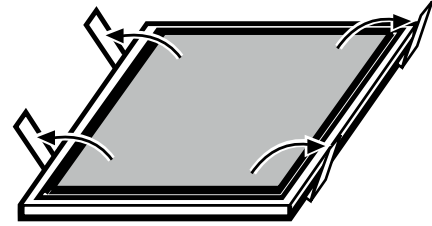
- 2 **For vented installations:** Wash the metal filter as needed in a dishwasher or hot detergent solution.
- 3 **For non-vented (recirculating) installations:** Replace the metal filter with a charcoal filter. The charcoal filter is not washable. It should last up to 6 months with normal use. Dispose of old charcoal filter.

Charcoal filter

The charcoal filter is not washable. It should last up to 6 months with normal use. Replace with Charcoal Filter.

To replace charcoal filter

- 1 Remove the metal grease filter from the range hood. See "Metal Grease Filter" in this section.
- 2 Bend the spring clips away from the metal grease filter.



- 3 Place the charcoal filter into the top side of metal filter.
- 4 Insert the metal grease filter back into the range hood.

Charcoal filter is not included in the product, so please purchase it through the service center below if necessary. (Part number TEF01705588)

To replace the filter

- 1 Place the back edge of the filter into the channel at the rear of the hood.
- 2 Pull the filter latch toward the back of the range hood and push the front of the filter up into place.
- 3 Replace the screw and release the filter latch.

Replacing a LED Lamp

The LED lights are replaceable by a service technician only. See the service contact information in this page below.

ELICA North America

TWO-YEAR LIMITED WARRANTY

Register your product in

elica.com

and earn a 3rd year of factory warranty, covering all parts plus in-home labor.

TO OBTAIN SERVICE UNDER WARRANTY

Owner must present proof of original purchase date. Please keep a copy of your dated proof of purchase (sales slip) in order to obtain service under warranty.

PARTS AND SERVICE WARRANTY

For the period of two (2) years from the date of the original purchase, Elica will provide free of charge, non consumable parts or components that failed due to manufacturing defects. During these two (2) years limited warranty, Elica will also provide free of charge, all labor and in-home service to replace any defective parts.

WHAT IS NOT COVERED

- Damage or failure to the product caused by accident or act of God, such as, flood, fire or earthquake.
- Damage or failure caused by modification of the product or use of non-genuine parts.
- Damage or failure to the product caused during delivery, handling or installation.
- Damage or failure to the product caused by operator abuse.
- Damage or failure to the product caused by dwelling fuse replacement or resetting of circuit breakers.
- Damage or failure caused by use of product in a commercial application.
- Service trips to dwelling to provide use or installation guidance.
- Light bulbs, metal or carbon filters and any other consumable part.
- Normal wear of finish.
- Wear to finish due to operator abuse, improper maintenance, use of corrosive or abrasive cleaning products/pads and oven cleaner products.
- When the product has not been operated in accordance with the accompanying instructions for use.

WHO IS COVERED

This warranty is extended to the original purchaser for products purchased for ordinary residential use in North America (Including the United States, Guam, Puerto Rico, US Virgin Islands & Canada).

This warranty is non-transferable and applies only to the original purchaser and does not extend to subsequent owners of the product. This warranty is made expressly in lieu of all other warranties, expressed or implied, including, but not limited to any implied warranty of merchantability or fitness for a particular purpose and all other obligations on the part of Elica North America, provided, however, that if the disclaimer of implied warranties is ineffective under applicable law, the duration of any implied warranty arising by operation of law shall be limited to two (2) years from the date of original purchase at retail or such longer period as may be required by applicable law.

This warranty does not cover any special, incidental and/or consequential damages, nor loss of profits, suffered by the original purchaser, its customers and/or the users of the Products.

WHO TO CONTACT

To obtain service under warranty or for any service related question:

- **USA & CANADA - Western Provinces**
SERVICE POWER
888 732 8018
elica@servicepower.com
- **CANADA - Ontario Province**
AGI Services
888 651 2534
service@agintl.qc.ca
- **CANADA - Quebec & Atlantic Provinces**
Ateliers G. Paquette
800 463 0119
service@ateliersgpaquette.com

To ensure prompt after-sales service, when you call we will kindly ask you to provide the following information indicated on the nameplate inside the hood: **hood model, 12 NC and date of purchase on original invoice**. To access the nameplate, all you have to do is remove the grease filters.

12NC: _____

Hood model: _____

Serial No: _____

Date of purchase on original invoice: _____

Contenu

Avis de Sécurité Important..... 14
 Exigences Électriques et D'installation..... 15
 Avant D'installer la Hotte 15
 Dimensions du Produit..... 15
 Liste de Pièces 16
 Pièces Fournies 16
 Pièces Non Fournies..... 16
 Méthodes d'évacuation..... 16
 Version sans conduit (Recyclage) 16
 Évacuation horizontale 16
 Évacuation verticale..... 17
 Préparez l'emplacement..... 17
 Installation de la Hotte..... 18
 Connexion Électrique 21
 Terminer l'installation..... 21
 Description de la Hotte..... 21
 Contrôle 21
 Entretien..... 22
 GARANTIE 23

**APPROUVÉ POUR LES APPAREILS DE TYPE RÉSIDENTIEL
 POUR UNE UTILISATION RÉSIDENTIELLE SEULEMENT
 LISEZ CES INSTRUCTIONS ET CONSERVEZ-LES**

**VEUILLEZ LIRE CES INSTRUCTIONS AU COMPLET AVANT DE COMMENCER.
 L'INSTALLATION DE L'APPAREIL DOIT RESPECTER TOUS LES CODES EN VIGUEUR.**

IMPORTANT : Conservez ces instructions afin de pouvoir les remettre à l'inspecteur-électricien de votre région.

INSTALLATEUR : Veuillez laisser ces instructions avec l'appareil pour le propriétaire.

PROPRIÉTAIRE : Veuillez conserver ces instructions pour pouvoir vous y référer plus tard.

Avertissement de sécurité : Coupez l'alimentation du circuit dans le panneau électrique et verrouillez le panneau avant de raccorder les fils de cet appareil.

Exigence : 120 V c.a., 60 Hz circuit de dérivation de 15 V c.a., 20 Hz, de 15 ou 20 A.

Avis de Sécurité Important

ATTENTION

UTILISER CET APPAREIL À DES FINS DE VENTILATION GÉNÉRALE SEULEMENT. NE PAS UTILISER CET APPAREIL POUR ÉVACUER DES MATÉRIAUX OU DES VAPEURS DANGEREUX OU EXPLOSIFS.

AVERTISSEMENT

POUR RÉDUIRE LES RISQUES D'INCENDIE, DE CHOC ÉLECTRIQUE ET DE BLESSURE, RESPECTER LES DIRECTIVES SUIVANTES:

- A. Utiliser cet appareil uniquement aux fins prévues par le fabricant. Si vous avez des questions à propos de l'appareil, communiquez avec le fabricant.
- B. Avant de faire l'entretien de l'appareil ou de le nettoyer, coupez l'alimentation dans le panneau électrique et verrouillez le panneau en bloquant le dispositif permettant d'empêcher d'activer l'alimentation accidentellement. S'il n'est pas possible de verrouiller l'accès au panneau, fixez une étiquette très voyante au panneau électrique.
- C. Une personne qualifiée doit effectuer l'installation et le câblage des fils électriques en conformité avec tous les codes et toutes les normes, y compris la cote de résistance au feu.
- D. Il est important de prévoir suffisamment d'air pour assurer une bonne combustion de l'équipement de chauffe et l'évacuation adéquates des gaz par le conduit de cheminé afin de prévenir les refoulements d'air. Respectez les directives et les normes de sécurité des fabricants de l'équipement de chauffage, comme celles publiées par la National Fire Protection Association (NFPA), la American Society for Heating, Refrigeration and Air Conditioning Engineers (ASHRAE) et le code des autorités de votre région.
- E. Au moment de couper ou de percer un mur ou un plafond, assurez-vous de ne pas endommager la filerie électrique ou tout autre accès à un service public.
- F. Il faut toujours évacuer à l'extérieur les systèmes conduit.

ATTENTION

Pour réduire les risques d'incendie et évacuer l'air correctement, assurez-vous que le conduit mène à l'extérieur; il ne faut pas évacuer l'air dans l'espace entre les murs, dans les plafonds, dans les greniers, les vides sanitaires ou les garages.

AVERTISSEMENT

POUR RÉDUIRE DES RISQUES D'INCENDIE, UTILISEZ UNIQUEMENT DES CONDUITS EN MÉTAL. Installez cette hotte en respectant toutes les exigences mentionnées.

AVERTISSEMENT

Pour réduire les risques d'incendie et de choc électrique, n'utilisez pas cette hotte avec un contrôleur de vitesse à semi-conducteurs.

ATTENTION

Dispositif à commande automatique - pour réduire le risque de Blessure Débrancher de l'alimentation électrique avant la maintenance.

AVERTISSEMENT

POUR RÉDUIRE LES RISQUES D'INCENDIE DE GRAISSE SUR LES CUISINIÈRES.

- a) Ne laissez jamais la cuisinière sans surveillance lorsqu'elle est réglée à une haute température. Les débordements par bouillonnement causent de la fumée et des débordements de gras qui peuvent s'enflammer. Faites chauffer l'huile lentement, à une température basse ou moyenne.
- b) Faites toujours fonctionner la hotte lorsque vous utilisez la cuisinière à une haute température ou que vous faites flamber des aliments (P. ex.: crêpes Suzette, cerises jubilé, boeuf au poivre flambé).
- c) Nettoyez les hélices de ventilation fréquemment. Il ne faut pas que la graisse s'accumule sur les filtres ou les hélices.
- d) Utilisez le bon format de casserole. Utilisez toujours un chaudron de taille approprié à l'élément de la cuisinière.
- e) Convient pour utilisation dans la zone de cuisson domestique.

AVERTISSEMENT

POUR ÉVITER DE BLESSER QUELQU'UN LORS D'UN INCENDIE DE GRAISSE SUR LA CUISINIÈRE, SUIVRE LES CONSEILS SUIVANTS:a

- a) ÉTOUFFER LES FLAMMES avec un couvercle aux dimensions de la tôle de cuisson, une tôle à biscuit ou tout autre plateau métallique, puis couper le gaz ou l'alimentation électrique de la cuisinière. FAIRE ATTENTION A NE PAS SE BRÛLER. Si les flammes ne s'éteignent pas immédiatement, QUITTER LA PIÈCE ET APPELER LES POMPIERS.
- b) NE JAMAIS PRENDRE EN MAIN UNE CASSEROLE N FEU, vous pourriez vous blesser.
- c) NE PAS UTILISER D'EAU, y compris les essuies de vaisselle ou les serviettes humides - une violente explosion due à la vapeur formée pourrait survenir.
- d) Utilisez un extincteur SEULEMENT si:
 - 1) Vous êtes sûr d'avoir un extincteur de classe ABC que vous savez utiliser.
 - 2) Le feu est petit et confiné à la zone où il s'est formé.
 - 3) Les pompiers ont été appelés.
 - 4) Vous pouvez lutter contre le feu avec une sortie derrière vous.
- e) Les ventilateurs conduits doivent toujours être évacués vers l'extérieur.

a Recommandations tirées des conseils de sécurité en cas d'incendie de cuisine publiés par la NFPA.

REMARQUE: Cet appareil n'est pas destiné à être utilisé par des personnes (y compris des enfants) dont les capacités physiques, sensorielles ou mentales sont réduites, ou qui manquent d'expérience et de connaissances, à moins qu'elles n'aient reçu une surveillance ou des instructions concernant l'utilisation de l'appareil de la part d'une personne responsable de leur sécurité.

REMARQUE: Les enfants doivent être surveillés afin de s'assurer qu'ils ne jouent pas avec l'appareil.

LISEZ ET CONSERVEZ CETTE INSTRUCTION POUR RÉFÉRENCE FUTURE

IMPORTANT

Respectez tous les codes et les ordonnances en vigueur.

Le client a la responsabilité de :

- Contacter un électricien-installateur.
- Vérifier que l'installation électrique est adéquate et conforme avec le Code national de l'électricité, ANSI/NFPA 70 (la plus récente édition*), ou les normes C22.1-94, Code canadien de l'électricité, Partie 1 et C22.2 No.0-M91 (La plus récente édition**) de la CSA, ainsi que tous les codes et les ordonnances de votre région.
- Si le code le permet et que vous utilisez un fil de mise à la terre distinct, il est recommandé de faire vérifier le chemin du fil par un électricien.
- Ne pas mettre l'appareil à la terre sur une conduite de gaz.
- Consultez un électricien qualifié si vous n'êtes pas certain que la hotte est mise à la terre correctement.
- N'installez pas un fusible dans le circuit neutre ou le circuit de mise à la terre.

IMPORTANT

- Conservez ces instructions afin de pouvoir les remettre à l'inspecteur-électricien.
- La hotte doit être câblée uniquement à l'aide de fils de cuivre.
- Il faut raccorder la hotte directement à une boîte à fusible ou à un disjoncteur par l'entremise d'une canalisation électrique en métal.
- Le calibre de fil doit être conforme aux exigences du Code national de l'électricité, ANSI/NFPA 70 (La plus récente édition*), ou les normes C22.1-94, Code canadien de l'électricité, Partie 1 et C22.2 O-M91 (La plus récente édition**) de la CSA, ainsi que tous les codes et les ordonnances de votre région.
- Il faut prévoir un connecteur de canalisation approuvé par l'UL ou la CSA à chaque extrémité de la canalisation d'alimentation (À la hotte et à la boîte de jonction).

Si la hotte est munie d'une fiche électrique, la raccorder à un réceptacle conforme à la réglementation en vigueur et placé en position accessible. Si la hotte n'est pas équipée d'une fiche électrique (raccordement direct au réseau électrique) ou si la fiche ne sera pas en position accessible après l'installation, placez un interrupteur bipolaire homologué en position accessible qui assure une déconnexion totale dans des conditions de surtension de catégorie III, conformément aux règles de câblage locales.

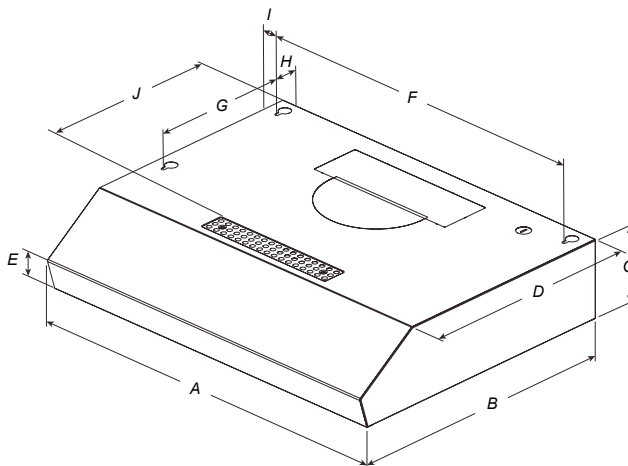
Vous pouvez obtenir un exemplaire des normes indiquées en vous adressant à :
* La National Fire Protection Association, Batterymarch Park Quincy, Massachusetts, 02269

** La CSA International, 8501 East Pleasant Valley Road, Cleveland, Ohio, 44131-5575

Avant D'installer la Hotte

- 1 Pour assurer la ventilation la plus efficace possible, installez la conduite en ligne droite ou avec le moins de coudes possibles.
ATTENTION: La sortie de la conduite de ventilation doit donner sur l'extérieur.
- 2 Deux personnes sont nécessaires pour effectuer l'installation.
- 3 La quincaillerie fournie permet de fixer la hotte à la plupart des murs et des plafonds; consultez un installateur qualifié pour vous assurer que la quincaillerie fournie est adaptée à votre type de mur ou d'armoire.
- 4 N'utilisez pas de conduit flexible.
- 5 Dans le cas des endroits sujets aux **TEMPÉRATURES FROIDES**, il faut installer un clapet de contre-tirage supplémentaire afin de minimiser le retour d'air froid et un isolant thermique non métallique afin de minimiser la conduction de la température extérieur dans le conduit. Il faut placer le clapet du côté de l'air froid de l'isolant thermique. L'isolant doit être placé le plus près possible de l'endroit où le conduit entre dans la partie chauffée de la maison.
- 6 Air d'appoint : Le code du bâtiment de votre région peut exiger l'utilisation d'un système d'air d'appoint si vous utilisez un système de ventilation à conduit dont le mouvement d'air dépasse un certain nombre de CFM. Le nombre de pi³/min varie d'une région à l'autre. Consultez un professionnel de CVC pour connaître les exigences précises de votre région.

Dimensions du Produit

**EGB224SS**

A	24" (61 cm)
B	18 ⁷ / ₈ " (48 cm)
C	4 ¹⁵ / ₁₆ " (12.5 cm)
D	14 ¹ / ₂ " (36.7 cm)
E	2" (5.2 cm)
F	22 ¹ / ₄ " (56.3 cm)
G	9 ⁹ / ₈ " (24.5 cm)
H	1 ¹ / ₂ " (3.8 cm)
I	1" (2.3 cm)
J	12 ¹ / ₄ " (31.1 cm)

Liste de Pièces

Retirer les pièces de leur emballage.


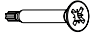


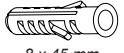
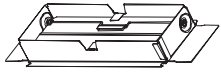
⚠ ATTENTION

Enlever délicatement le carton, porter des gants pour se protéger des bords coupants.

⚠ AVERTISSEMENT

Enlever le film de protection recouvrant le produit avant de commencer l'opération.

Pièces Fournies

Pièces	Qty.	Pièces	Qty.
 3.5 x 9.5 mm	2	 Adapteur Torx® T10	1
 5 x 45 mm	2	 4.5x13 mm	4
 8 x 45 mm	2	 3/4" x 10" (8,3 x 25,4 cm) registre rectangulaire	1

Accessoires Optionnel

KIT	# Pièce
Valvule anti-retour 7"	KIT02723
Transition de conduit 7"	KIT02722

Pièces Non Fournies

Outils/matériaux nécessaires

- Perceuse
- Forets de 1/8" (3,0 mm), de 1/4" (13 mm), 1/4" (30 mm) pour avant-trous
- Crayon
- Pince à dénuder ou couteau utilitaire
- Ruban à mesurer ou règle
- Pinces
- Pistolet à calfeutrage et composé de calfeutrage résistant aux intempéries
- Scie sauteuse ou scie à guichet
- Cisaille de ferblantier
- Tournevis à lame plate
- Tournevis Philips

Pièces nécessaires

- Câble d'alimentation domestique
- Décharge de traction de 1/2 po (12,7 mm) homologuée UL ou approuvée CSA
- 3 connecteurs de fils répertoriés UL

Pour les installations rondes ventilées de 7" (17,8 cm)

- Système d'évent rond en métal de 7" (17,8 cm) avec capuchon mural ou de toit
- Pinces d'évent

Pour les installations rectangulaires ventilées de 3/4" x 10" (8,3 x 25,4 cm)

- Système de ventilation rectangulaire en métal de 3/4" x 10" (8,3 x 25,4 cm) avec capuchon mural ou de toit.

Méthodes d'évacuation

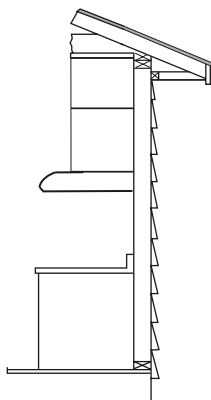
Suivez à la lettre les directives présentées dans ce manuel.

Le fabricant refuse toute responsabilité en ce qui a trait à tout préjudice, dommage ou incendie causé par la non observation des directives contenues dans le présent manuel.

Version sans conduit (Recyclage)

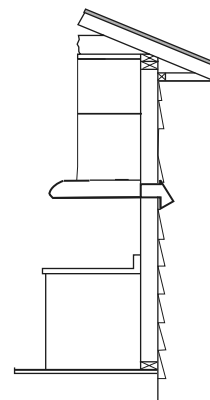
REMARQUE:

Dans le cas de la version sans conduit (à recyclage) seulement: procurez-vous la trousse de conversion en hotte à recyclage.

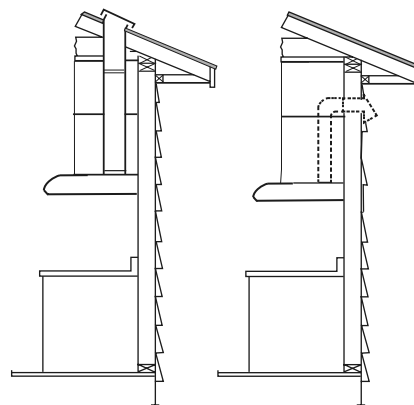


Évacuation horizontale

Utiliser un conduit rectangulaire de 3/4" x 10" (8,3 x 25,4 cm)



Utiliser un conduit rectangulaire de 3¼" x 10" (8,3 x 25,4 cm) ou utiliser un conduit circulaire de 7" (17,8 cm)



Préparation

Ne coupez pas une solive ou un montant à moins qu'il soit absolument nécessaire de le faire. Si vous devez couper une solive ou un montant, vous devez construire un cadre de soutien.

La quincaillerie fournie permet de fixer la hotte à la plupart des murs et des plafonds.

Vous devez cependant demander à un technicien qualifié de vérifier la solidité des matériaux selon le type de mur ou de plafond.

Avant de couper, assurez-vous qu'il y a un dégagement suffisant dans le plafond ou le mur pour passer la conduite de sortie.

Hauteur d'installation recommandée:

⚠ ATTENTION

Pour l'installation des cuisinières à gaz: Installer cette hotte de sorte que le rebord inférieur est à 30" (76,2 cm) au-dessus de la surface de cuisson.

Pour l'installation des cuisinières électriques / induction: Installer cette hotte de sorte que le rebord inférieur est pas moins de 24" (61 cm) sur la surface de cuisson.

Il est recommandé d'installer cette hotte plus de 36" (91,4 cm) au-dessus de la surface de cuisson.

Par pouce (2,54 cm) supérieure à 36 (91,4 cm) diminuera l'efficacité de la capture de la fumée et de l'humidité, et la performance de ventilation.

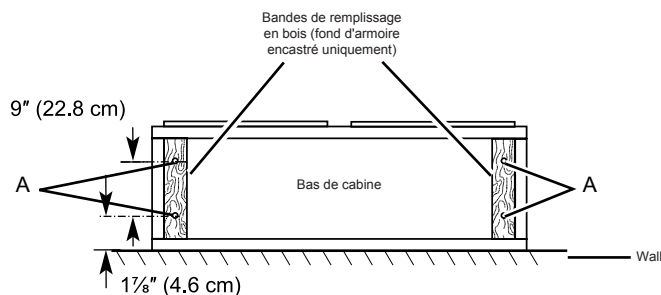
USAGE DOMESTIQUE. S'IL VOUS PLAÎT LIRE L'INSTALLATION POUR UNE INSTALLATION SPÉCIFIQUE. Avant de choisir la hotte, vérifiez la hauteur du plafond et la hauteur maximale de la hotte.

Préparez l'emplacement

⚠ ATTENTION

IL FAUT DEUX PERSONNES OU PLUS POUR DÉPLACER ET INSTALLER LA HOTTE DE CUISINIÈRE. LE FAIRE SEUL PEUT ENTRAÎNER DES LÉSIONS

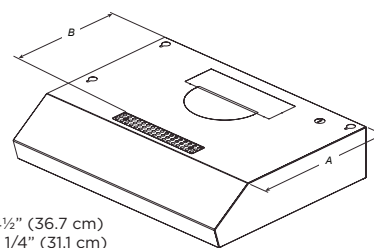
REMARQUE: Marquez les débouchures de la hotte sur le mur et faites les découpes nécessaires avant d'installer la hotte.



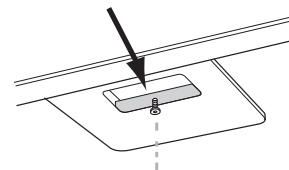
- 1 Si l'armoire a un fond en retrait, ajoutez des bandes de remplissage en bois de chaque côté. Installez 4 vis à tête plate avec des rondelles et des écrous pour fixer les bandes de remplissage aux emplacements indiqués.

REMARQUE: Pour les installations sur une surface autre qu'une cloison sèche, il est recommandé qu'un entrepreneur qualifié détermine la méthode d'ancrage.

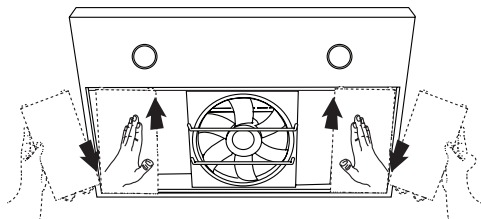
REMARQUE: Pour la version avec conduit, pensez à utiliser la mesure A pour une transition ronde de 7" (17,8 cm) et la mesure B pour un système de ventilation rectangulaire en métal de 3¼" x 10" (8,3 x 25,4 cm).



- 2 Retirez le filtre à graisse en tirant le loquet du filtre vers l'arrière de la hotte et à l'aide d'un adaptateur Torx T10, retirez la vis du support de filtre.

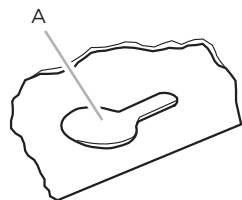


- 3 Retirez les panneaux latéraux en les tirant horizontalement vers l'arrière de la hotte, puis relâchez les supports à l'avant.



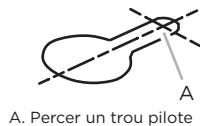
- 4 À l'aide de 2 personnes ou plus, soulevez la hotte sous l'armoire et déterminez l'emplacement final en la centrant sous l'armoire. Marquez sur le dessous de l'armoire l'emplacement des 4 fentes de montage en trou de serrure sur la hotte (A)

REMARQUE: Marquez la zone mince de la fente. Sur le mur du fond, marquez les trous pour les vis de sécurité (B). Mettez la hotte de côté sur une surface couverte.



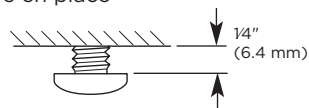
A. Fente en trou de serrure

- 5 Utilisez une mèche de $\frac{1}{8}$ " (3 mm) et percez 4 trous pilotes.
REMARQUE: percez les trous sur la zone mince de la fente.

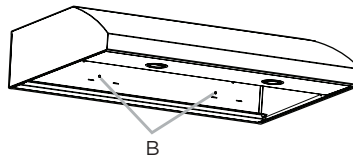


A. Percer un trou pilote

- 6 Installez les 4 vis de montage de 0,45 cm x 1,3 cm dans les avant-trous. Laissez un espace d'environ $\frac{1}{4}$ po (6,4 mm) entre les têtes de vis et l'armoire pour faire glisser la hotte de cuisinière en place

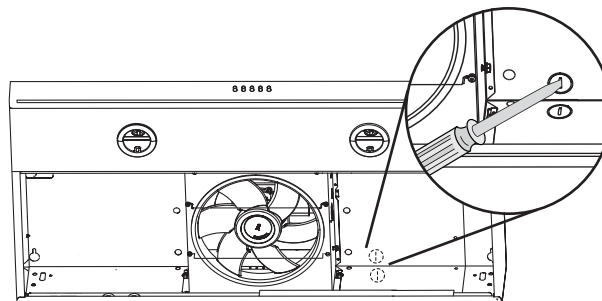


- 7 Utilisez une mèche de $\frac{8}{25}$ " (8 mm) et percez 2 avant-trous dans les marques des vis de sécurité, puis placez les ancrages pour cloisons sèches.



Préparer la hotte

- 1 Déposez la hotte de dos sur une surface couverte, le dos en contact avec la surface douce.

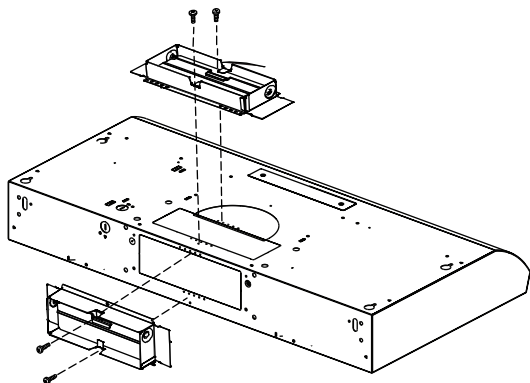


- 2 À l'aide d'un tournevis à lame plate, retirez la découpe d'alimentation appropriée.

Installation de la Hotte

Fixez le registre de ventilation ou la Transition

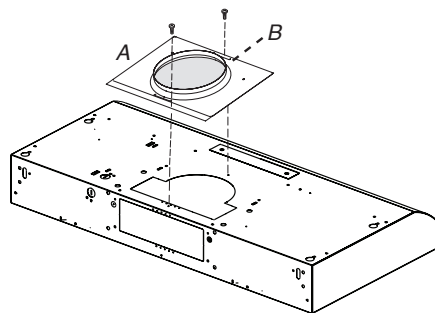
Registre de ventilation rectangulaire de $3\frac{1}{4}$ " x 10" (8,3 x 25,4 cm)



À l'aide de (2) vis à tête Phillips courtes, installez le registre rectangulaire de $3\frac{1}{4}$ " x 10" (8,3 x 25,4 cm) sur le débouchure de l'évent supérieur ou arrière retiré à l'étape précédente.

REMARQUE: Si le capuchon mural utilisé a un registre et qu'il interfère avec le registre rectangulaire, retirez le volet rectangulaire.

Plaque de montage ronde de 7" (17,8 cm)

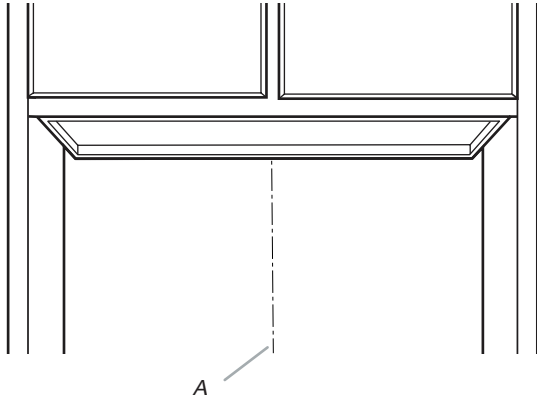


À l'aide de (2) vis cruciformes courtes, installez la plaque de montage d'évent ronde de 7" (17,8 cm) (A) sur les débouchures d'évent retirées à l'étape précédente. Positionnez la large bride (B) vers l'avant.

Si vous installez le registre rond en option, placez-le sur la plaque de montage ronde de l'évent.

Marquer les emplacements des trous

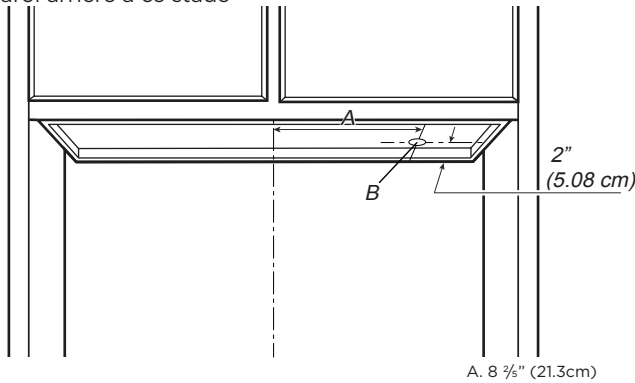
Déterminez et marquez clairement une ligne centrale (médiante) verticale sur le mur et le bas de l'armoire.



A. Centerline

Pour câbler par le haut:

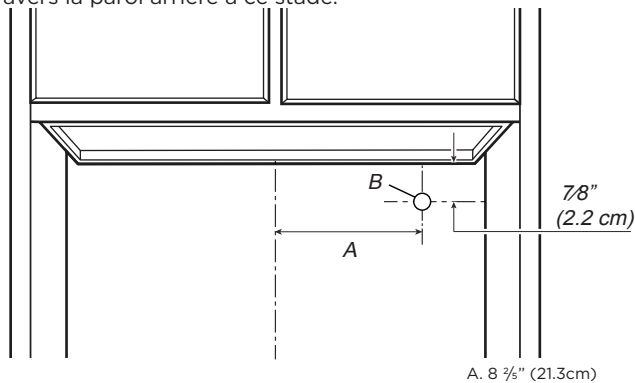
Marquez une distance de ligne (A) à partir de la droite de la ligne médiane sur la face inférieure de l'armoire. Marquez le point sur cette ligne qui est à 2" (5,08 cm) du dessous du mur. Percez un trou de 7/8" po (2,2 cm) de diamètre (B) à travers la paroi arrière à ce stade.



A. 8 3/8" (21.3cm)

Pour câbler à travers le mur:

Marquez une distance de ligne (A) à partir de la droite de la ligne médiane sur la face inférieure de l'armoire. Marquez le point sur cette ligne qui est à 7/8" (2,2 cm) du dessous de l'armoire. Percez un trou de 7/8" po (2,2 cm) de diamètre (B) à travers la paroi arrière à ce stade.



A. 8 3/8" (21.3cm)

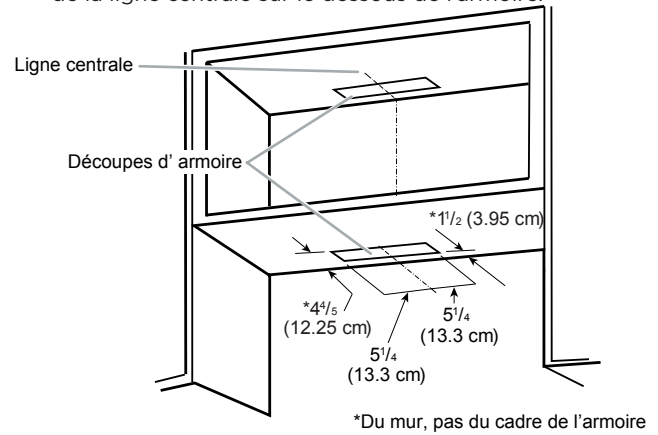
Marquer et couper l'ouverture de l'évent

Pour une installation non ventilée (recirculation): sautez l'étape «Marquer et couper l'ouverture d'évent».

Pour système de ventilation rectangulaire de 3/4 "x 10" (8,3 x 25,4 cm)

Pour faire une découpe rectangulaire de 4 "x 10 1/2" (10,16 cm x 26,7 cm) sur le dessous du haut et du bas de l'armoire:

- 1 Marquez les lignes 1 1/2" (3,95 cm) et 4 4/5" (12,25 cm) à partir du mur arrière sur la ligne centrale du dessous de l'armoire. Tracez des lignes de 5 1/4" (13,3 cm) à droite et à gauche de la ligne centrale sur le dessous de l'armoire.



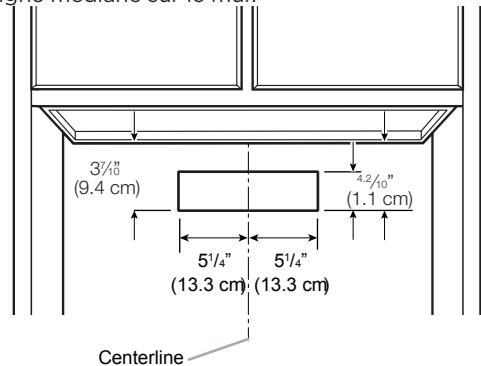
*Du mur, pas du cadre de l'armoire

- 2 Utilisez une scie sabre ou une scie à guichet pour couper une ouverture rectangulaire pour l'évent.
- 3 Répétez les étapes 1 à 3 pour le dessous du haut de l'armoire.

Ventilation murale

Pour créer un rectangle de 3 1/2 "x 10 1/2" (8,9 cm x 26,7 cm) dans le mur:

- 1 Tracez 2 lignes en mesurant 4 2/10 po (1,1 cm) et 3 7/10 po (9,4 cm) à partir du dessous de l'armoire et marquez sur la ligne centrale sur le mur arrière.
- 2 Tracez des lignes de 5 1/4" (13,3 cm) à droite et à gauche de la ligne médiane sur le mur.

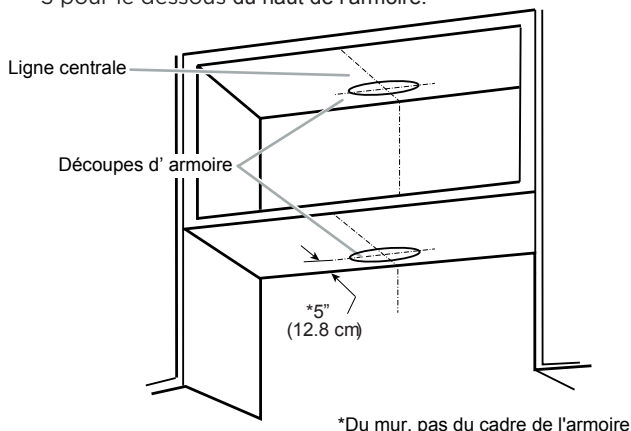


- 3 Utilisez une scie sabre ou une scie à guichet pour couper une ouverture rectangulaire dans le mur pour l'évent.

Pour système de ventilation ronde de 7 "(17,8 cm) (ventilation de toit)

Pour faire une ouverture d'aération circulaire sur la face inférieure du dessus de l'armoire:

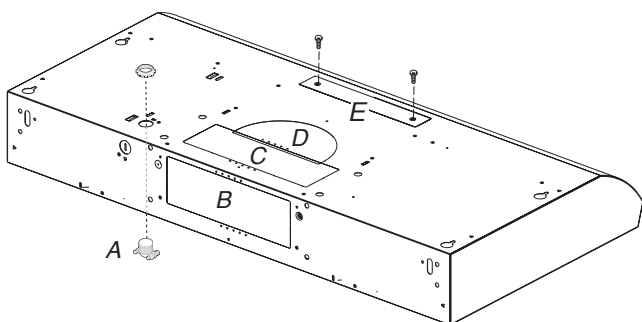
- 1 Marquez une ligne médiane sur la face inférieure du haut de l'armoire.
- 2 Tracez une ligne à 5 "(12,8 cm) du mur arrière sur la face inférieure du haut de l'armoire.
- 3 Utilisez une boussole ou un gabarit circulaire pour dessiner un cercle d'un diamètre de 7 1/2 "(19 cm).
- 4 Utilisez une scie sabre ou une scie à guichet pour couper l'ouverture de ventilation circulaire. Répétez les étapes 1 à 3 pour le dessous du haut de l'armoire.



Percer L'ouverture Électrique

- 1 À l'aide d'un foret de 1/4 "(3 cm), percez le trou dans le point marqué précédemment au niveau de la décharge de traction électrique.

Préparer les Évents de Hotte



Installer le réducteur de tension

- Installez une décharge de traction (A) de 1/2 "(13 mm) homologuée UL / CSA.

Pour les installations non ventilées (recirculation)

- Retirez les (2) vis Torx® T10 et retirez le couvercle de ventilation rectangulaire avant supérieur (E). Passez à l'étape « Connexion électrique ».

Pour les installations d'évent rectangulaires de 3 1/4 "x 10" (8,3 x 25,4 cm)

- Pour les installations de ventilation par le haut, retirez le débouchure de ventilation rectangulaire supérieure (C).

OU

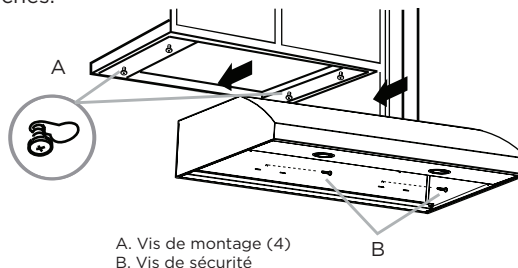
- Pour les installations de ventilation murale, retirez la découpe de ventilation rectangulaire arrière (B).

Pour les installations d'évent rond de 7 " (17,8 cm)

- Retirez les deux débouchures supérieures (C et D).

Montage de la hotte

- 1 À l'aide de 2 personnes ou plus, soulevez le capot en position finale. Faites passer suffisamment de fil électrique à travers le serre-câble de 1/2 "homologué UL ou CSA pour effectuer les connexions dans la boîte à bornes. Serrez les vis de décharge de traction.
- 2 Positionnez la hotte de manière à ce que la grande extrémité des fentes en trou de serrure soit sur les vis de montage. Poussez ensuite la hotte vers le mur afin que les vis soient dans le col des fentes. Installez les vis de montage de 0,5 cm x 4,5 cm dans les ancrages pour cloisons sèches.



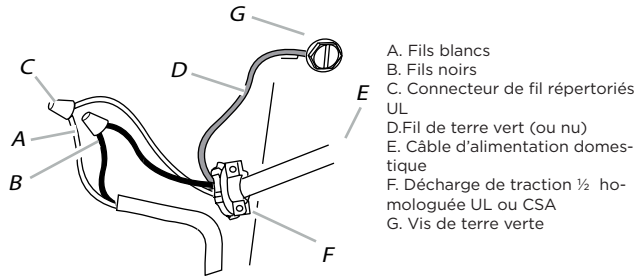
- 3 Serrez les vis de montage, en vous assurant que les vis sont dans le col étroit des fentes.
- 4 Serrez les vis de sécurité au mur.
- 5 Pour les installations à fil direct, faites passer le câble d'alimentation domestique conformément au Code national de l'électricité ou aux normes CSA et aux codes et ordonnances locaux. Il doit y avoir suffisamment de câblage du boîtier de sectionnement à fusible (ou du disjoncteur) pour effectuer la connexion dans la boîte à bornes électrique de la hotte.
REMARQUE: Ne reconnectez pas l'alimentation tant que l'installation n'est pas terminée.
FACULTATIF: Si vous préférez, pliez les languettes arrière contre l'arrière de la hotte et fixez-les au mur à l'aide de vis à tête bombée n° 8-18 x 5/8 "(4,2 x 16 mm).

Connecter le système de ventilation

- 1 Connectez le conduit de ventilation à la hotte.
- 2 Sceller les joints avec des colliers de ventilation ou du ruban adhésif pour les rendre sûrs et étanches.
- 3 Vérifiez que les volets anti-retour fonctionnent correctement.

⚠ ATTENTION

RISQUE DE CHOC ÉLECTRIQUE. DÉBRANCHEZ L'ALIMENTATION AVANT L'ENTRETIEN. REMPLACER TOUTES LES PIÈCES ET LES PANNEAUX AVANT L'UTILISATION. NE PAS LE FAIRE PEUT ENTRAÎNER LA MORT OU UN CHOC ÉLECTRIQUE.



- 1 Retirez le débouchure et le couvercle de la boîte de jonction, puis installez le connecteur de conduit (répertorié cULus) dans la boîte de jonction.
- 2 Faites passer 3 fils - noir, blanc et vert - conformément au Code national de l'électricité et aux codes et ordonnances locaux, dans un conduit de 1/2 po du panneau de service à la boîte de jonction.

⚠ ATTENTION

FAITES LA MISE À LA TERRE ÉLECTRIQUE DU VENTILATEUR. BRANCHEZ LE FIL DE MISE À LA TERRE AUX FILS DE MISE À LA TERRE VERTS ET JAUNES DE LA BOÎTE DE BORNES. NE PAS LE FAIRE PEUT ENTRAÎNER LA MORT OU UN CHOC ÉLECTRIQUE.

- 3 Connectez le fil noir du panneau de service au noir ou au rouge de la boîte de jonction. Connectez le blanc au blanc et le vert au vert-jaune.
- 4 Fermez et fixez le couvercle de la boîte de jonction.

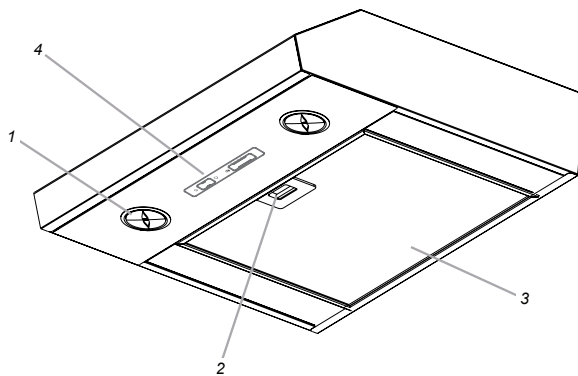
Terminer l'installation

- 1 Remplacez les filtres et vérifiez le fonctionnement de la hotte.
- 2 Remplacez le filtre.
 - Pour les installations ventilées: installez un filtre métallique.
 - Pour les installations sans ventilation (recirculation): installez un filtre à charbon.

Si la hotte ne fonctionne pas:

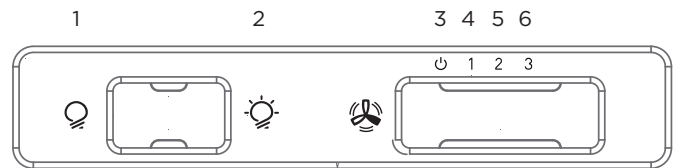
- Vérifiez que le disjoncteur n'est pas déclenché ou que le fusible de la maison n'a pas sauté.
- Débranchez l'alimentation électrique, puis vérifiez si le câblage est correct.
- Pour tirer le meilleur parti de votre nouvelle hotte, lisez la section «Utilisation de la hotte».
- Conservez ces instructions d'installation et le guide d'utilisation et d'entretien à proximité de la hotte pour une référence facile.

Description de la Hotte



1. Lampes DEL .
2. Poignée du filtre
3. Filtre
4. Contrôle

Contrôle



1. Allumer la lampe
2. Éteindre la lampe
3. Ventilateur ON/OFF
4. Basse vitesse
5. Vitesse moyenne
6. Vitesse maximale

Fonctionnement de la lumière

Déplacez l'interrupteur d'éclairage pour allumer et éteindre la lumière.

Fonctionnement du ventilateur

Déplacez l'interrupteur du moteur en position 1, 2 ou 3 en fonction de la vitesse souhaitée.

Instructions d'entretien pour l'utilisateur

Nettoyage

Surfaces extérieures:

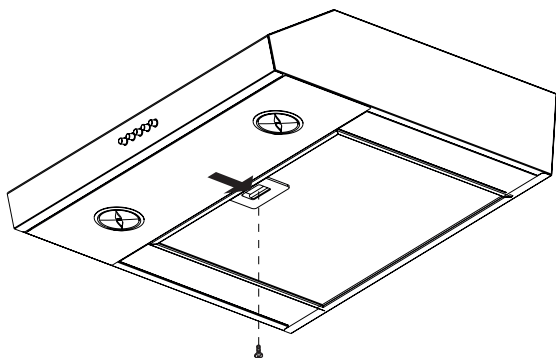
Pour éviter d'endommager la surface extérieure, n'utilisez pas de laine d'acier ou de tampons à récurer savonneux. N'utilisez pas de nettoyants à base de chlore. Frottez dans le sens de la ligne de grain pour éviter de rayer la surface.

- Pour un nettoyage en profondeur, utilisez un nettoyant et poli pour acier inoxydable.
- Pour le nettoyage quotidien, utilisez un détergent liquide doux et de l'eau. Sécher soigneusement.
- Pour un nettoyage rapide, essuyez avec un chiffon doux humide ou une éponge non abrasive, puis rincez à l'eau claire et essuyez.

REMARQUE : Essuyez toujours pour éviter les traces d'eau.

Filtre à graisse en métal ou au charbon

- 1 Tirez le loquet du filtre vers l'arrière de la hotte et à l'aide d'un adaptateur Torx T10, retirez la vis du support de filtre.



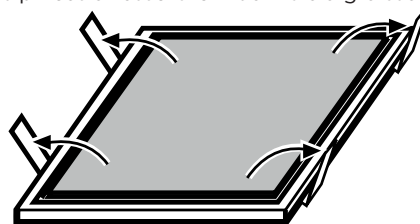
- 2 **Pour les installations ventilées:** Lavez le filtre métallique au besoin dans un lave-vaisselle ou une solution détergente chaude.
- 3 **Pour les installations sans ventilation (recirculation):** Remplacez le filtre métallique par un filtre à charbon. Le filtre à charbon n'est pas lavable. Il devrait durer jusqu'à 6 mois avec une utilisation normale. Jeter l'ancien filtre à charbon.

Filtre à Charbon

Le filtre à charbon n'est pas lavable. Il devrait durer jusqu'à 6 mois avec une utilisation normale. Remplacez-le par un Filtre à Charbon.

Pour remplacer le filtre à charbon:

- 1 Retirez le filtre à graisse métallique de la hotte. Voir «Filtre à graisse métallique» dans cette section.
- 2 Pliez les pinces à ressort loin du filtre à graisse métallique.



- 3 Placez le filtre à charbon dans la partie supérieure du filtre métallique.
- 4 Réinsérez le filtre à graisse métallique dans la hotte. Le filtre à charbon n'est pas inclus dans le produit, veuillez donc l'acheter via le centre de service ci-dessous si nécessaire. (Numéro d'article TEF01705588)

Pour remplacer le filtre

- 1 Placez le bord arrière du filtre dans le canal à l'arrière de la hotte.
- 2 Tirez le loquet du filtre vers l'arrière de la hotte et poussez l'avant du filtre pour le mettre en place.
- 3 Remettez la vis et relâchez le loquet du filtre.

Remplacement de la lampe LED

Les lumières LED ne peuvent être remplacées que par un technicien de maintenance. Consultez les informations de contact dans la section Garantie.

ELICA North America

GARANTIE DE DEUX ANS

Enregistrez votre produit sur

elica.com

et obtenez une 3^e année de garantie, qui couvre toutes les pièces en plus de la main-d'œuvre.

POUR OBTENIR UN DEPANNAGE SOUS GARANTIE

Le propriétaire doit présenter une preuve de la date d'achat. Garder une copie de votre preuve d'achat datée (ticket de caisse) de façon à pouvoir bénéficier du service après-vente sous garantie.

GARANTIE PIÈCES DE RECHANGE ET MAIN D'OEUVRE

Pendant une période de deux (2) ans à partir de la date d'achat, Elica s'engage à fournir gratuitement les pièces de rechange ou les composants autres que les recharges ayant des défauts de fabrication. Durant cette garantie de deux (2) ans, Elica fournira également gratuitement, toute la main d'oeuvre et le service à domicile pour remplacer d'éventuelles pièces défectueuses.

CE QUE LA GARANTIE NE COUVRE PAS

- Dégât ou panne du produit causé par un accident ou un cas de force majeure tels que inondation, incendie ou tremblement de terre.
- Dégât ou panne du produit causé par modification du produit ou utilisation de pièces pas d'origine.
- Dégât ou panne du produit causé lors de la livraison, de la manipulation ou de l'installation.
- Dégât ou panne du produit causé par une mauvaise utilisation.
- Dégât ou panne du produit causé par un remplacement des fusibles ou une remise en fonction des disjoncteurs par le propriétaire.
- Dégât ou panne du produit causé par une utilisation du produit pour raison commerciale.
- Déplacement à domicile pour explication d'utilisation ou d'entretien.
- Ampoules, filtres métalliques ou au charbon et toute autre pièce consommable.
- Usure normale.
- Usure due à une mauvaise utilisation du propriétaire, un entretien incorrect, une utilisation de substances nettoyantes corrosives ou abrasives et produits de nettoyage pour four.
- Lorsque le produit n'a pas été utilisé conformément aux instructions d'utilisation qui l'accompagnent.

QUI EST COUVERT

Cette garantie s'étend à l'acheteur original de produits achetés pour un usage domestique habituel en Amérique du Nord (Y compris Etats Unis, Guam, Porto Rico, les Iles virgin Américaines & le Canada).

Cette garantie n'est pas transférable et vaut uniquement pour l'acheteur original et ne s'étend pas aux propriétaires successifs du produit. Cette garantie vaut expressément en lieu et place de toute autre garantie, expresse ou sous-entendue, mais ne limite pas toute autre garantie sous-entendue de marchandage ou adaptation dans un but particulier et toute autre obligation de la part de Elica North America, étant entendu, cependant, que si la réclamation pour garanties sous-entendues n'est pas applicable aux yeux de la loi en vigueur, la durée de toute garantie sous-entendue émanant de la loi doit être limitée à deux (2) ans à partir de la date d'achat du produit ou à une période plus longue selon ce que dit la loi en vigueur.

Cette garantie ne couvre pas tout dégât particulier, accidentel et/ou consécutif, ni les pertes et profits, à charge du propriétaire, des ses clients et/ou des utilisateurs Des produits.

QUI CONTACTER

Pour obtenir un Service Après-vente durant la Garantie ou pour toute autre Question liée au Service Après-vente: Appeler:

- **USA & CANADA - Provinces de l'Ouest**
SERVICE POWER
888 732 8018
elica@servicepower.com
- **CANADA - Province de l'Ontario**
AGI Services
888 651 2534
service@agintl.qc.ca
- **CANADA - Québec et provinces de l'Atlantique**
Ateliers G. Paquette
800 463 0119
service@ateliersgpaquette.com

Pour garantir un service après-vente rapide, quand vous téléphonerez nous vous prions de bien vouloir donner les informations suivantes, qui sont indiquées sur la plaque signalétique qui se trouve à l'intérieur de la hotte: **modèle, 12 NC et date d'achat sur votre facture originale**. Pour accéder à la plaque signalétique, il vous suffit d'enlever les filtres graisse.

12NC: _____

Modèle: _____

N° de série: _____

Date d'achat sur votre facture originale: _____

Contenido

Aviso de Seguridad Importante	25
Requisitos Eléctricos y de Instalación.....	26
Antes de Instalar la Campana.....	26
Dimensiones del Producto	26
Lista de Materiales.....	27
Partes Suministradas	27
Partes No Suministradas	27
Métodos de Ventilación	27
Recirculación (sin conducto de descarga).....	27
Descarga Horizontal.....	27
Descarga Vertical	28
Instalación.....	28
Instalación de la Campana	29
Conexión Eléctrica.....	32
Complete la Instalación	32
Descripción de la Campana	32
Controles de la Campana.....	32
Mantenimiento de la Campana.....	33
GARANTÍA.....	35

**APROBADO PARA APARATOS DE USO DOMÉSTICO
SÓLO PARA USO DOMÉSTICO
LEA Y GUARDE ESTAS INSTRUCCIONES**

**ANTES DE CONTINUAR, LEA LAS INSTRUCCIONES POR COMPLETO.
LA INSTALACIÓN DEBE CUMPLIR TODA LA NORMATIVA LOCAL.**

IMPORTANTE: Guarde estas instrucciones para su uso por parte del inspector de electricidad local.

INSTALADOR: Entregue al propietario estas instrucciones junto con la unidad.

PROPIETARIO: Conserve estas instrucciones para futuras consultas.

Advertencia de seguridad: Antes de realizar el cableado de este aparato, desactive el circuito de energía eléctrica en el panel de servicio y desbloquee el panel.

Requisito: Circuito auxiliar de 120 V AC, 60 Hz. 15 ó 20 A.

Campana de Cocina **EGB224SS**

Tensión Asignada	120 V~
Frecuencia	60 Hz
Potencia	115 W
Corriente	1.0 A
Potencia Máxima de las lámparas LED	2.5 W

Contenido: 1 pza

Hecho en México

Fabricado por: ELICAMEX S.A. de C.V.

Dirección: Av. La Noria (Prolongación) #102

Col. Ampliación Parque Industrial Querétaro,

Santa Rosa Jáuregui, C.P. 76215 Querétaro.

R.F.C. EII060102RK8



⚠ Aviso de Seguridad Importante

⚠ PRECAUCIÓN

SÓLO PARA USO DE VENTILACIÓN GENERAL. NO UTILIZAR PARA EXPULSAR VAPORES O MATERIALES PELIGROSOS O EXPLOSIVOS.

⚠ ADVERTENCIA

PARA REDUCIR EL RIESGO DE FUEGO, DESCARGA ELÉCTRICA O LESIONES PERSONALES, RESPETE LO SIGUIENTE:

- A. Utilice esta unidad solamente en el modo que indica el fabricante. En caso de duda, póngase en contacto con el fabricante.
- B. Antes de reparar o limpiar la unidad, desconecte la alimentación en el panel de servicio y bloquee los medios de desconexión del panel de servicio para evitar la conexión accidental de la alimentación. Si no es posible bloquear los medios de desconexión del panel de servicio, coloque un dispositivo de advertencia que destaque como, por ejemplo, una etiqueta, en el panel de servicio.
- C. La instalación y el cableado eléctrico deben realizarlos personas cualificadas de acuerdo con las normativas y los estándares aplicables, incluida la construcción ignífuga.
- D. Es necesaria una ventilación suficiente para la correcta combustión y expulsión de gases por la salida de humos (Chimenea) del equipo de combustión de carburante para evitar el contratiempo. Siga las directrices de fabricantes de equipos de calefacción y los estándares de seguridad como los publicados por la National Fire Protection Association (NFPA), American Society for Heating, Refrigeration and Air Conditioning Engineers (ASHRAE) y las normativas locales.
- E. Al efectuar orificios en una pared o techo, no dañe el cableado eléctrico y otras instalaciones ocultas.
- F. Los sistemas instalados mediante conducto deben tener ventilación con salida al exterior.

⚠ PRECAUCIÓN

Para reducir el riesgo de fuego y conseguir una salida del aire correcta, asegúrese de conducir el aire hacia el exterior. No permita que el aire se expulse en espacios situados en el interior de muros, techos, desvanes, sótanos de pequeña altura o garajes.

⚠ ADVERTENCIA

PARA REDUCIR EL RIESGO DE FUEGO, UTILICE SOLAMENTE TUBOS METÁLICOS.

Instale esta campana de acuerdo con los requisitos especificados.

⚠ ADVERTENCIA

Para reducir el riesgo de fuego o descarga eléctrica, no utilice esta campana con ningún dispositivo externo en estado sólido para el control de la velocidad.

⚠ ADVERTENCIA

PARA REDUCIR EL RIESGO DE INCENDIO OCASIONADO POR GRASA:

- a) No deje nunca ninguna unidad externa desatendida y con valores de fuego altos. La cocción puede causar humo o reboses de grasa que pueden prender fuego. Caliente el aceite a fuego lento o medio.
- b) Limpie con frecuencia los ventiladores. No permita que la grasa se acumule en el ventilador o filtro.
- c) Utilice un tamaño de sartén adecuado. Utilice siempre piezas de batería de cocina adecuadas al tamaño del elemento de superficie.

⚠ ADVERTENCIA

PARA REDUCIR EL RIESGO DE LESIONES PERSONALES, EN CASO DE FUEGO OCASIONADO POR GRASA, TENGA EN CUENTA LO SIGUIENTE:^a

- a) EXTINGA LAS LLAMAS con una tapa ajustada, una lámina para hacer galletas u otro tipo de bandeja metálica y apague el quemador de gas o elemento eléctrico. TENGA CUIDADO PARA EVITAR QUEMADURAS. Si las llamas no se extinguen inmediatamente, DESALOJE EL LUGAR Y LLAME A LOS BOMBEROS.
- b) NUNCA TOME UNA SARTÉN EN LLAMAS, podría sufrir quemaduras.
- c) NO UTILICE AGUA, incluidas bayetas o toallas húmedas ya que se produciría una violenta explosión de vapor.
- d) Utilice un extintor SÓLO si:
 - 1) Sabe que dispone de un extintor de la clase ABC y conoce su funcionamiento.
 - 2) El fuego es pequeño y se encuentra en la misma zona donde se inició.
 - 3) Ha llamado a los bomberos.
 - 4) Puede luchar contra el fuego teniendo una salida a su espalda.

^aBasado en "Consejos de seguridad para fuegos de cocina" publicado por NFPA

NOTA: Este aparato no está diseñado para ser utilizado por personas (incluidos niños) con capacidades físicas, sensoriales o mentales reducidas, o con falta de experiencia y conocimientos, a menos que hayan recibido supervisión o instrucciones sobre el uso del aparato por parte de una persona responsable de su seguridad.

NOTA: Los niños deben ser supervisados para asegurarse de que no juegan con el aparato..

FUNCIONAMIENTO

Coloque siempre las rejillas y los filtros de seguridad en su lugar correspondiente. Sin estos componentes, los ventiladores en funcionamiento podrían atrapar su pelo, sus dedos o su ropa.

El fabricante declina toda responsabilidad en caso de fallo de cumplimiento de las instrucciones aquí facilitadas para la instalación, el mantenimiento y el uso adecuado del producto. El fabricante declina además toda responsabilidad por daños ocasionados por negligencia y la garantía de la unidad queda cancelada automáticamente como consecuencia de un mantenimiento incorrecto.

⚠ PRECAUCIÓN

Las partes accesibles pueden calentarse cuando se utilizan los aparatos de cocción.

⚠ PRECAUCIÓN

Equipo operado automáticamente - para reducir el riesgo de lastimarse desconecte de la línea antes de dar servicio.

No flamear alimentos bajo la campana de cocina.

Debe haber una ventilación adecuada en el cuarto, cuando la campana de cocina se utiliza al mismo tiempo que los aparatos que consumen gas u otros combustibles.

LEA Y GUARDE ESTE INSTRUCTIVO PARA FUTURAS REFERENCIAS

IMPORTANTE

Cumpla todas las normativas y ordenanzas gubernamentales. Es responsabilidad del cliente:

- Ponerse en contacto con un instalador eléctrico cualificado.
- Asegurarse de que la instalación eléctrica es adecuada y en conformidad con National Electrical Code, ANSI/NFPA 70 (última edición*) o CSA Standards C22.1-94, Canadian Electrical Code, Parte 1 y C22.2 No.0-M91 (última edición*) y toda la normativa y las ordenanzas locales.
- Si la normativa lo permite y se utiliza un cable de toma a tierra independiente, se recomienda que un electricista cualificado determine si la difracción de onda de tierra es la adecuada.
- No ubique la toma a tierra en una tubería de gas.
- Si no está seguro de que la campana está correctamente conectada a tierra, consulte a un electricista cualificado.
- No coloque ningún fusible en el circuito neutral o con vuelta por tierra.

IMPORTANTE

- Guarde las instrucciones de instalación para su uso por parte del inspector de electricidad.
- La campana debe estar conectada únicamente con hilo de cobre.
- La campana debe estar conectada directamente al desconectador con fusible (o disyuntor) mediante canal metálico de cables eléctricos.
- Los tamaños de cable deben cumplir los requisitos de la National Electrical Code, ANSI/NFPA 70 (última edición*) o CSA Standards C22.1-94, Canadian Electrical Code, Parte 1 y C22.2 No.0-M91 (última edición*) y toda la normativa y las ordenanzas locales.
- Es preciso colocar un conector de canal de cables enumerado en U.L. o C.S.A. en cada extremo del canal de cables de fuente de alimentación (en la campana y en la caja de conexiones).

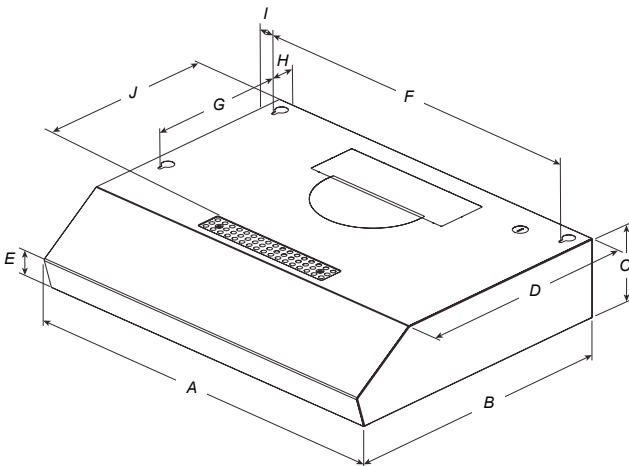
Si está provista de enchufe eléctrico, conecte la campana a una toma de corriente que cumpla con la normativa vigente y colocada en una posición accesible. Cuando no se disponga de enchufe eléctrico (conexión directa a la red eléctrica) o el enchufe no vaya a estar en una posición accesible después de la instalación, coloque un interruptor bipolar homologado en una posición accesible que proporcione una desconexión total en condiciones de sobretensión de categoría III, de acuerdo con las normas locales de cableado.

Se pueden obtener copias de los estándares enumerados en:
 * National Fire Protection Association Battery March Park Quincy, Massachusetts 02269
 ** CSA International 8501 East Pleasant Valley Road Cleveland, Ohio 44131-5575

Antes de Instalar la Campana

- 1 Para obtener una circulación del flujo de aire más eficaz, utilice un tubo de tramo recto o el menor número posible de tubos acodados.
PRECAUCIÓN: el conducto de ventilación solamente debe tener salida hacia la parte exterior del edificio.
- 2 Para realizar la instalación, se necesitan al menos dos personas.
- 3 La campana se ajusta mediante materiales adecuados para la mayoría de superficies; consulte a un instalador cualificado para comprobar si quedan perfectamente ajustados al armario o a la pared. No emplee tubos flexibles.
- 4 Las instalaciones en CONDICIONES CLIMÁTICAS FRÍAS deben tener instalado un regulador de contratiro adicional para minimizar el flujo de aire inverso y una rotura térmica no metálica para minimizar la conducción de temperaturas externas como parte de los tubos. El regulador debe encontrarse en la parte de aire frío de la rotura térmica. La rotura debe estar lo más cerca posible al lugar donde los tubos entran en la parte caliente de la casa.
- 5 Aire limpio: Las normativas locales para edificios pueden requerir el uso de sistemas de aire limpio cuando se utilizan sistemas de ventilación mediante tubos superiores al CFM especificado de movimiento de aire.
- 6 El CFM especificado varía de una zona a otra. Para conocer los requisitos específicos de su zona, consulte a un profesional de HVAC.

Dimensiones del Producto



EGB224SS

A	24" (61 cm)
B	18 7/8" (48 cm)
C	4 15/16" (12.5 cm)
D	14 1/2" (36.7 cm)
E	2" (5.2 cm)
F	22 1/4" (56.3 cm)
G	9 5/8" (24.5 cm)
H	1 1/2" (3.8 cm)
I	1" (2.3 cm)
J	12 1/4" (31.1 cm)

Lista de Materiales


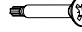


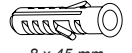
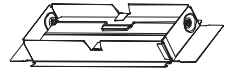
Remoción del empaque

⚠ PRECAUCIÓN

Quite la caja cuidadosamente, use guantes para protegerse contra los bordes afilados.

⚠ ADVERTENCIA

Quite la película de protección que cubre el producto antes de ponerlo en funcionamiento.

Partes Suministradas			
Parte	Cant.	Parte	Cant.
 3.5 x 9.5 mm	2	 Torx® T10 adaptador	1
 5 x 45 mm	2	 4.5x13 mm	4
 8 x 45 mm	2	 3¼" x 10" (8.3 x 25.4 cm) transición rectangular	1

Accesorios opcionales

KIT	# Parte
Válvula no retornable de 7"	KIT02723
Transición redonda de 7"	KIT02722

Partes No Suministradas

Herramientas / materiales necesarios

- Nivel
- Taladro con brocas de ⅛" (3 mm), ½" (13 mm) y ¼" (30 mm)
- Lápiz
- Pinzas para cortar y pelar cable
- Cinta métrica, regla o flexómetro
- Alicates
- Pistola selladora y resanador a prueba de agua
- Caladora o sierra
- Destornillador plano
- Destornillador Phillips
- Tijeras de metal

Piezas necesarias

- Cable de suministro eléctrico doméstico
- Protector de cables de ½" (12.7 mm) que esté en la lista de UL o aprobado por CSA
- 3 conectores para cables que estén en la lista de UL

Para instalaciones con ventilación circular de 7 "(17.8 cm)

- Sistema de ventilación de metal circular de 7 "(17.8 cm) con tapa de techo o pared.
- Abrazaderas de ventilación

Para instalaciones con ventilación rectangular de 3¼ "x 10" (8.3 x 25.4 cm)

- Sistema de ventilación rectangular de metal de 3¼ "x 10" (8.3 x 25.4 cm) con tapa de techo o pared.

Métodos de Ventilación

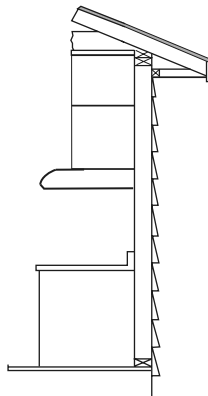
Siga detenidamente las instrucciones expuestas en este manual.

Se declina toda responsabilidad de cualquier inconveniencia, daños o incendios eventuales ocasionados por el incumplimiento de las instrucciones de este manual.

Recirculación (sin conducto de descarga)

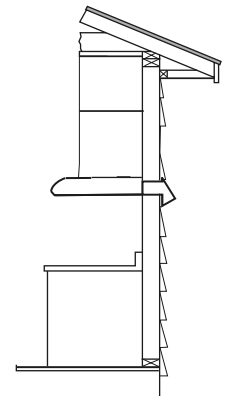
NOTA:

Sólo para versión sin tubos (Recirculante): adquiera el kit de conversión sin tubos.

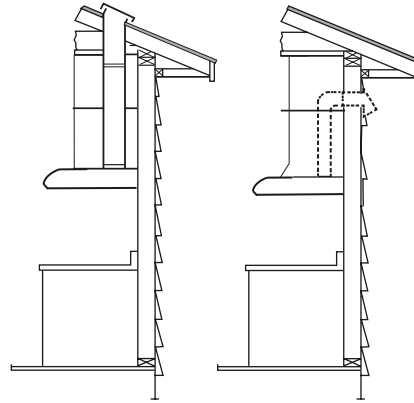


Descarga Horizontal

Usar un conducto rectangular de 3¼" x 10"



Usar un conducto rectangular de 31/4" x 10" o un ducto redondo de 7" (17.8 cm)



Preparación

No corte una vigueta o un perno a menos que sea absolutamente necesario. Si fuera necesario efectuar el corte, deberá construirse un marco de soporte.

Se suministra el material de ajuste necesario para fijar la campana a la mayoría de tipos de muro o techo.

No obstante, un técnico cualificado debe comprobar la idoneidad de los materiales de acuerdo con el tipo de muro o techo.

Antes de efectuar algún corte, asegúrese de que existe el espacio libre adecuado en el techo o muro para la expulsión del aire.

Deben de cumplirse las regulaciones que se relacionen con la evaluación de la descarga de aire.

Altura de instalación recomendada:

⚠ PRECAUCIÓN

Para la instalación de estufas de gas: instale esta campana de tal manera que la cornisa inferior se encuentre a 30" (76.2 cm) sobre la superficie de cocción.

Para la instalación de estufas eléctricas/inducción: instale esta campana de tal manera que la cornisa inferior se encuentre a no menos de 24" (61 cm) sobre la superficie de cocción.

No hay una altura máxima de instalación, sin embargo, se recomienda no instalar esta campana a más de 36" (91.4 cm) sobre la superficie de cocción. Por cada pulgada (2.54 cm) superior a 36" (91.4 cm), disminuirá la eficiencia en la captura de humo y humedad, así como el desempeño de ventilación.

El aire de descarga no debe enviarse a través de un conducto que se utilice para evacuar los humos de los aparatos que consumen gas u otros combustibles. Para uso doméstico.

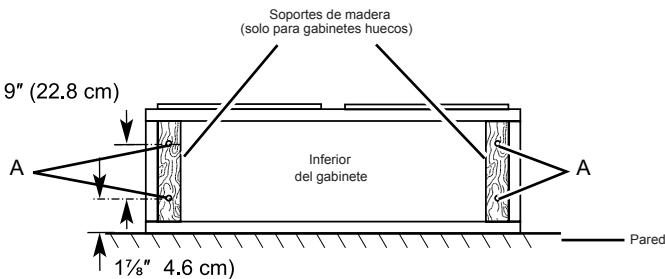
Instalación

Instalación en la pared

⚠ ADVERTENCIA

USE DOS O MÁS PERSONAS PARA MOVER E INSTALAR LA CAMPANA DE COCINA. NO SEGUIR ESTA INSTRUCCIÓN PUEDE OCASIONAR LESIONES

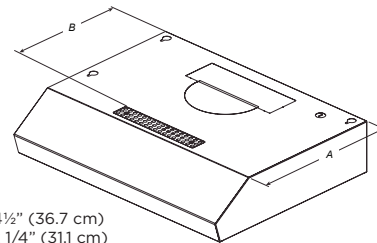
NOTA: Marque la ubicación de los precortes de la campana extractora en la pared y haga los cortes necesarios antes de instalar la campana.



- 1 Si el gabinete tiene perfiles frontales, laterales o posteriores, agregue soportes de madera a cada lado. Instale 4 tornillos para madera de cabeza plana con arandelas y tuercas para sujetar las tiras de relleno en los lugares que se muestran (A).

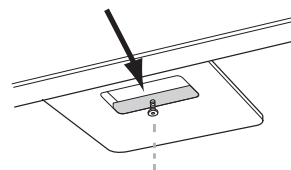
NOTA: Para instalaciones en una superficie que no sea un panel de yeso, se recomienda que un contratista calificado determine el método de anclaje

NOTA: Considere usar la medida A para la transición redonda de 7" (17,8 cm) y la medida B para el sistema de ventilación de metal rectangular de 31/4" x 10" (8,3 x 25,4 cm).

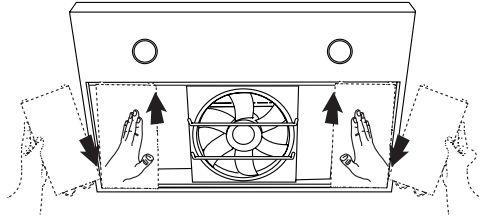


- A. 14 1/2" (36.7 cm)
- B. 12 1/4" (31.1 cm)

- 2 Retire el filtro de grasa tirando del pestillo del filtro hacia la parte posterior de la campana extractora y, con un adaptador Torx T10, retire el tornillo del retenedor del filtro.

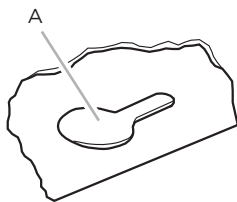


- 3 Retire los paneles laterales tirando de ellos horizontalmente hacia la parte posterior de la campana y luego suelte los soportes de la parte delantera.



- 4 Entre 2 o más personas, levanten la campana extractora debajo del gabinete y determine la ubicación final al centrarla debajo del gabinete. Marque en la parte inferior del gabinete la ubicación de las 4 ranuras de montaje en forma de cerradura de la campana extractora (A).

NOTA: Marque el área delgada de la ranura. En la pared trasera, marque las ranuras para los tornillos de seguridad (B). Deje la campana extractora a un lado sobre una superficie cubierta.



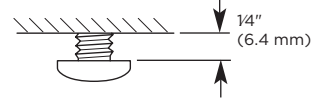
A. Ranuras de montaje

- 5 Utilice una broca de $\frac{1}{8}$ " (3 mm) y taladre 4 orificios guía. **NOTA:** Haga los agujeros de perforación en el área delgada de la ranura.

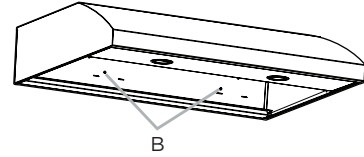


A. Orificios guía.

- 6 Instale los 4 tornillos de montaje de 0.45 cm x 1.3 cm en los orificios guía. Deje aproximadamente $\frac{1}{4}$ " (6.4 mm) de espacio entre las cabezas de los tornillos y el gabinete para deslizar la campana extractora en su lugar.

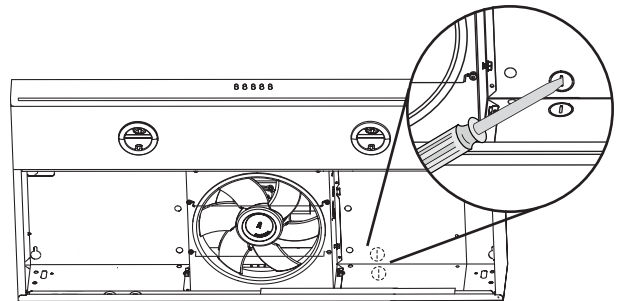


- 7 Use una broca de $\frac{8}{25}$ " (8 mm) y taladre 2 orificios piloto en las marcas para los tornillos de seguridad, luego coloque los anclajes para paneles de yeso.



Complete la Preparación

- 1 Coloque la campana extractora boca arriba sobre una superficie cubierta.

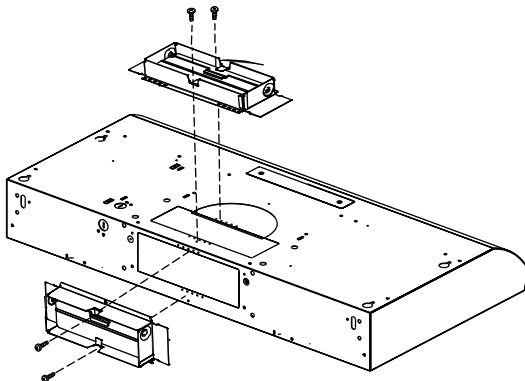


- 2 Con un destornillador de punta plana, retire el precorte removible de la fuente de alimentación correspondiente.

Instalación de la Campana

Conecte la Transición

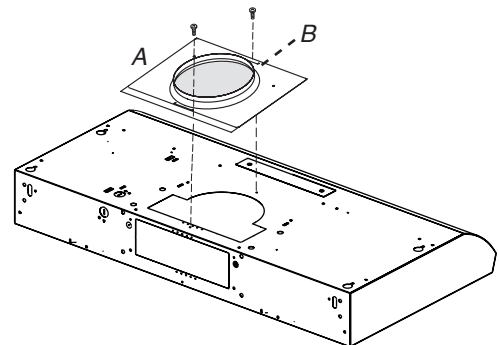
Transición Rectangular de $3\frac{1}{4}$ " x 10" (8.3 x 25.4 cm)



Utilizando (2) tornillos de cabeza Phillips cortos, instale el amortiguador rectangular de $3\frac{1}{4}$ " x 10" (8.3 x 25.4 cm) sobre el orificio de ventilación superior o trasero que se quitó en el paso anterior.

NOTA: Si la tapa de pared utilizada tiene una transición e interfiere con la transición rectangular, retire la solapa de la transición rectangular.

Placa de montaje de ventilación circular de 7" (17.8 cm)

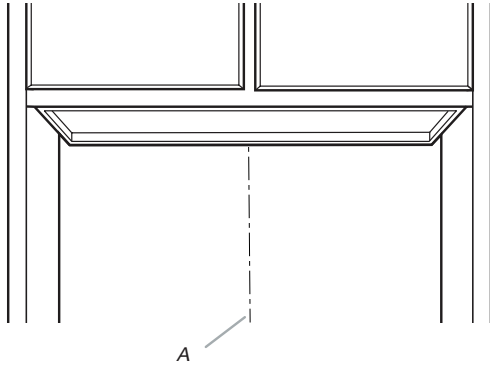


Utilizando (2) tornillos cortos de cabeza Phillips, instale la placa de montaje de ventilación circular de 7" (17.8 cm) (A) sobre los orificios de ventilación que se quitaron en el paso anterior. Coloque la pestaña ancha (B) hacia el frente.

Si instala la transición redonda opcional, colóquela sobre la placa de montaje de ventilación redonda.

Determine la Ubicación del Orificio de Cableado

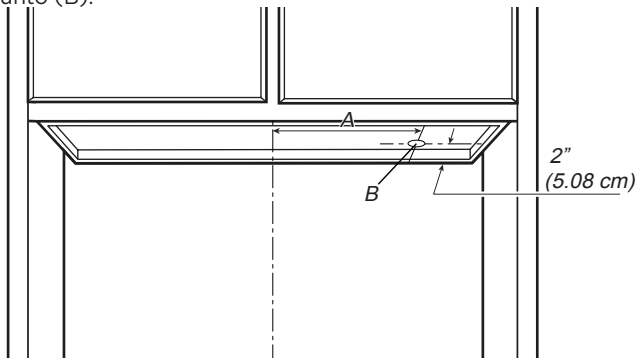
Determine y marque claramente una línea central vertical en la pared y la parte inferior del gabinete.



A. Línea Central

Cableado a través de la parte superior:

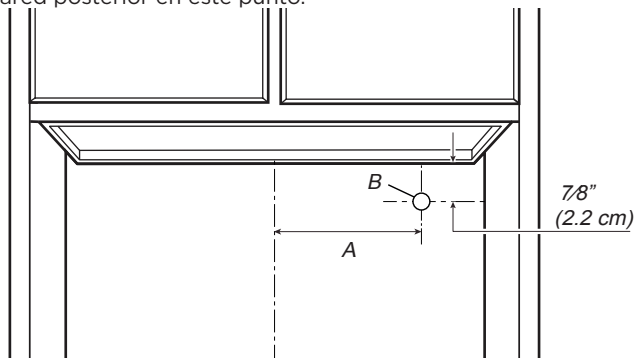
Marque una línea (A) desde la derecha de la línea central en la parte inferior del gabinete, marque el punto en esta línea que está a 2" (5.1 cm) de la pared posterior. Taladre un agujero con un diámetro de 7/8" (2.2 cm) a través del gabinete en este punto (B).



A. 8 2/5" (21.3cm)

Cableado a través de la pared:

Marque una línea (A) desde la derecha de la línea central en la parte inferior del gabinete. Marque el punto en esta línea que está a 7/8" (2.2 cm) de la parte inferior del gabinete. Taladre un agujero (B) con un diámetro de 7/8" (2.2 cm) a través de la pared posterior en este punto.



A. 8 2/5" (21.3cm)

Marcar y Cortar la Abertura de Ventilación

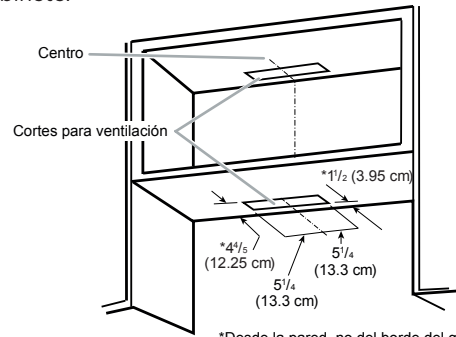
Para una instalación sin ventilación (recirculante): omita el paso "Marcar y cortar la abertura de ventilación".

Ventilación a través del techo

Para ventilación rectangular de 3 1/4 "x 10" (8.3 x 25.4 cm)

Para hacer un corte rectangular de 4 "x 10 1/2" (10.16 cm x 26.7 cm) en la cara inferior de la parte superior e inferior del gabinete:

- 1 Marque las líneas de 1 1/2" (3.95 cm) y 4 1/2" (12.25 cm) de la pared trasera en la línea central de la parte inferior del gabinete. Marque las líneas 5 1/4" (13.3 cm) a la derecha y la izquierda de la línea central en la parte inferior del gabinete.



*Desde la pared, no del borde del gabinete

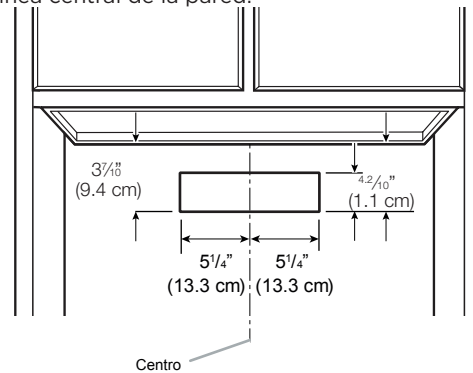
- 2 Use una caladora o una sierra para cortar una abertura rectangular para ventilación.
- 3 Repita pasos 1-3 para el lado debajo de la parte superior del gabinete.

Ventilación a través de la pared

Para ventilación rectangular de 3 1/2 "x 10 1/2" (8.9 cm x 26.7 cm)

Marque 2 líneas al medir 4 1/10" (1.1 cm) y 3 7/10" (9.4 cm) abajo de la parte inferior del gabinete y marque en la línea central en la pared trasera.

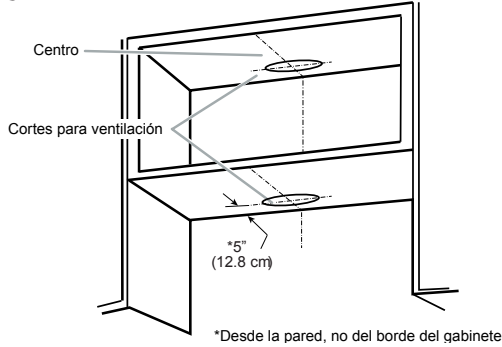
- 1 Marque líneas de 5 1/4" (13.3 cm) a la derecha e izquierda de la línea central de la pared.



- 2 Use una caladora o una sierra para cortar una abertura rectangular en la pared para ventilación.

Para ventilación circular de 7" (17.8 cm)

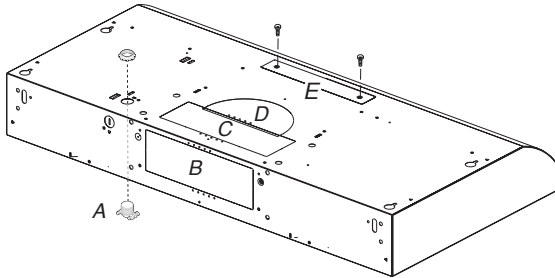
- 1 Marque una línea central debajo de la parte superior del gabinete.
- 2 Marque una línea de 5" (12.8 cm) desde la pared trasera debajo de la parte superior del gabinete.
- 3 Utilice un compás o una plantilla circular para dibujar un círculo con un diámetro de 7½" (19 cm).
- 4 Use una caladora o una sierra para cortar una abertura rectangular en la pared para ventilación.
- 5 Repita pasos 1-3 para el lado debajo de la parte superior del gabinete.



Perforaciones Conexión Eléctrica

- 1 Con una broca de 1¼" (3 cm), taladre el orificio en el punto marcado anteriormente en el nocut de tensión eléctrica.

Prepare los Respiraderos de la Campana



Instale el alivio de tensión de cable

- 1 Instale un alivio de tensión de cable (A) de ½" (13 mm) aprobado por UL / CSA.

Para instalaciones sin ventilación (recirculante)

- Retire los (2) tornillos T10 Torx® y retire la tapa de ventilación rectangular frontal superior (E). Vaya al paso "Conexión eléctrica".

Para instalaciones de ventilación rectangular de 3¼" x 10" (8,3 x 25,4 cm)

- Para instalaciones de ventilación superior, retire el orificio ciego de ventilación rectangular superior (C).



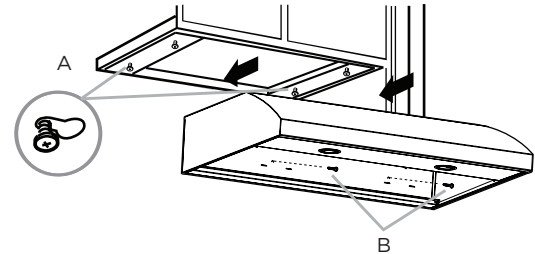
- Para instalaciones de ventilación de pared, retire el orificio ciego de ventilación rectangular trasero (B).

Para instalaciones de ventilación redonda de 7" (17,8 cm)

- Retire los dos orificios ciegos superiores (C y D).

Montaje de la Campana

- 1 Entre 2 o más personas, levante la campana hasta la posición final. Pase suficiente cable eléctrico a través del alivio de tensión de cable de ½" listado por UL o aprobado por CSA para hacer las conexiones en la caja de terminales. Apriete los tornillos del protector de cables.
- 2 Coloque la campana extractora de modo que el extremo grande de las ranuras de la cerradura quede sobre los tornillos de montaje. Luego empuje la campana hacia la pared de modo que los tornillos queden en el cuello de las ranuras. Instale los tornillos de montaje de 0.5 cm x 4.5 cm en los anclajes para paneles de yeso.



A. Tornillos de montaje (4)
B. Tornillos de seguridad

- 3 Apriete los tornillos de montaje, asegurándose de que los tornillos estén en el cuello estrecho de las ranuras.
- 4 Apriete los tornillos de seguridad a la pared.
- 5 Para instalaciones de cableado directo, instale el cable de suministro eléctrico doméstico de acuerdo con el Código Eléctrico Nacional o las normas CSA y los códigos y ordenanzas locales. Debe haber suficiente cableado desde la caja de desconexión con fusible (o disyuntor) para realizar la conexión en la caja de terminales eléctricos de la campana extractora.

NOTA: No vuelva a conectar la energía hasta que la instalación esté completa.

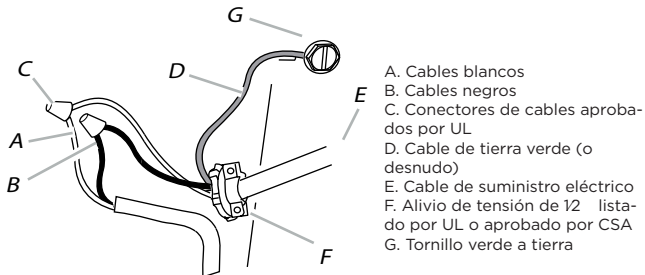
OPCIONAL: Si lo prefiere, doble las lengüetas traseras contra la parte trasera de la campana extractora y fíjelas a la pared con tornillos de cabeza #8-18 x 5/8" (4,2 x 16 mm).

Conecte el Sistema de Ventilación

- 1 Conecte el trabajo de ventilación a la campana extractora.
- 2 Selle las juntas con abrazaderas de ventilación o cinta adhesiva para asegurarlas y que sean herméticas.
- 3 Compruebe que las transiciones de contracorriente funcionen correctamente.

⚠️ ADVERTENCIA

PELIGRO DESCARGA ELÉCTRICA.
DESCONECTE EL SUMINISTRO DE ENERGÍA ANTES DE DARLE MANTENIMIENTO. VUELVA A COLOCAR TODOS LOS COMPONENTES Y PANELES ANTES DE HACERLO FUNCIONAR. NO SEGUIR ESTAS INSTRUCCIONES PUEDE OCASIONAR LA MUERTE O CHOQUE ELÉCTRICO.



- 1 Retire el precorte removible y la tapa de la caja de conexiones, e instale el conector de canal de cables (enumerado en cULUS) en la caja de conexiones.
- 2 Coloque los 3 cables (negro, blanco y verde) de acuerdo con el National Electrical Code y la normativa y las ordenanzas locales en el canal de cables de 1/2" del panel del servicio a la caja de conexiones.

⚠️ ADVERTENCIA

CONECTE EL MOTOR A TIERRA.
CONECTE EL CABLE DE TIERRA AL CABLE VERDE Y AMARILLO DE CONEXIÓN A TIERRA EN LA CAJA DE TERMINALES. NO SEGUIR ESTAS INSTRUCCIONES PUEDE OCASIONAR LA MUERTE O CHOQUE ELÉCTRICO.

- 3 Conecte el cable negro del panel de servicio o rojo en la caja de terminales, blanco con blanco y verde con verde-amarillo.
- 4 Cierre la tapa de la caja de conexiones.

Complete la Instalación

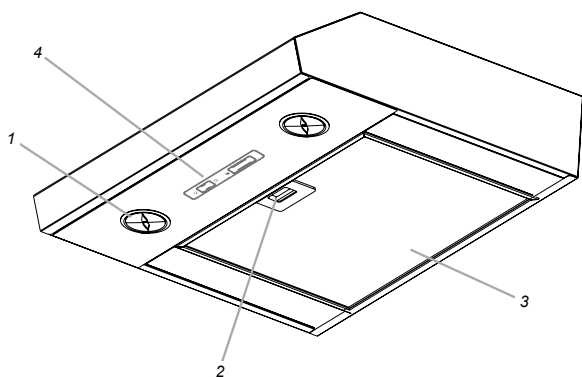
- 1 Vuelva a colocar los filtros.
- 2 Verifique el funcionamiento de la campana.
 - **Para instalaciones ventiladas:** Instale un filtro de metal.
 - **Para instalaciones sin ventilación (recirculante):** Instale un filtro de carbón.

Si la campana extractora no funciona:

- Compruebe si el disyuntor está desconectado o se han fundido los fusibles.
- Desconecte el suministro eléctrico. Compruebe si el cableado es correcto.

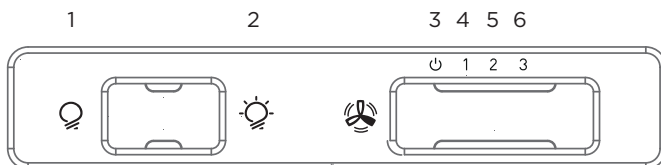
- Para conseguir el funcionamiento más eficaz de la nueva campana extractora, lea la sección "Uso y Mantenimiento de la Campana".
- Para disponer de una referencia sencilla, siga las Instrucciones de instalación y la Guía de uso y mantenimiento.

Descripción de la Campana



1. Lámparas LED
2. Manija del Filtro de Grasa
3. Filtro de grasa
4. Controles de ventilador y luces

Controles de la Campana



1. Luz apagada
2. Luz encendida
3. Encendido/apagado de ventilador
4. Velocidad mínima del motor
5. Velocidad media del motor
6. Velocidad máxima del motor

Operación de iluminación

Mueva el interruptor de la luz para encender y apagar la luz.

Operación del ventilador

Mueva el interruptor del motor a la posición 1, 2 o 3 dependiendo de la velocidad deseada.

Mantenimiento de la Campana

Limpieza

Superficies exteriores:

Para evitar daños en la superficie exterior, no utilice estropajos de acero o estropajos con jabón. No utilice limpiadores a base de cloro. Frote en la dirección de la línea de la fibra para evitar rayar la superficie.

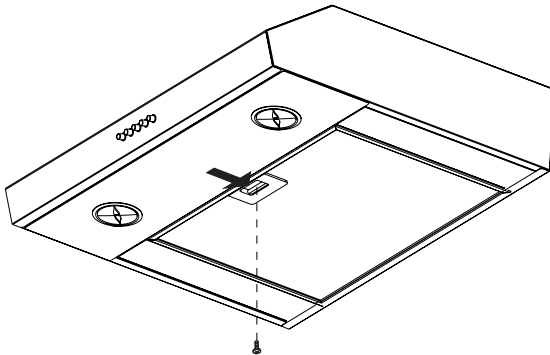
- Para una limpieza a fondo, utilice un limpiador y abrillantador de acero inoxidable.
- Para la limpieza diaria, use un detergente líquido suave y agua. Seque bien.
- Para una limpieza rápida, limpie con un paño suave húmedo o una esponja no abrasiva, luego enjuague con agua limpia y seque.

NOTA: Seque siempre con un paño para evitar marcas de agua.

Existe el riesgo de fuego, si la limpieza no se realiza de acuerdo con las instrucciones

Filtro de grasa o de carbón

- 1 Tire del pestillo del filtro hacia la parte posterior de la campana extractora y, con un adaptador Torx T10, retire el tornillo del retenedor del filtro.

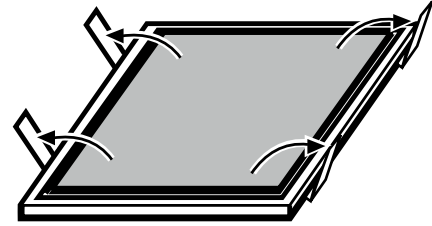


- 2 Para instalaciones ventiladas: Lave el filtro de metal según sea necesario en un lavavajillas o una solución de detergente caliente.
- 3 Para instalaciones sin ventilación (recirculantes): Reemplace el filtro de metal con un filtro de carbón. El filtro de carbón no es lavable. Debería durar hasta 6 meses con un uso normal. Deseche el filtro de carbón viejo.

Filtro de carbón

El filtro de carbón no es lavable. Debería tener una duración de 6 meses con uso normal. Reemplace con Filtro de Carbón. Para reemplazar el filtro de carbón:

- 1 Remueva el filtro metálico para grasa de la campana. Vea "Filtro Metálico para Grasa" en esta sección.
- 2 Doble los clips de resorte hacia afuera del filtro de grasa de metal.



El filtro de carbón no está incluido en el producto, así que cómprelo a través del centro de servicio a continuación si es necesario. (Número de parte TEF01705588).

Para reemplazar el filtro

- 1 Coloque el borde trasero del filtro en el canal en la parte trasera de la campana.
- 2 Tire del pestillo del filtro hacia la parte posterior de la campana extractora y empuje la parte delantera del filtro hacia arriba en su lugar.
- 3 Vuelva a colocar el tornillo y suelte el pestillo del filtro.
- 4 Coloque el filtro de carbón en la parte superior del filtro de metal.
- 5 Inserte el filtro de grasa de metal nuevamente en la campana extractora.

Reemplazo de lámpara LED

Las luces LED son reemplazables sólo por un técnico de servicio.

Vea la sección "Garantía" para la información de contacto del servicio.



Lámpara LED empotrable	
Potencia asignada	2 x 2.1 W
Potencia máxima	2 W
Tensión asignada	120 V-
Tipo de socket	n/a
Dimensiones	Ø 68.5mm x 26.4mm

PARA OBTENER SERVICIO DENTRO DE GARANTÍA

El propietario debe presentar su recibo original de la compra. Guarde por favor una copia de su recibo de compra como prueba, para recibir el servicio dentro del periodo de garantía.

PARTES Y GARANTÍA DE SERVICIO

Por el periodo de dos (2) años desde la fecha original de la compra, Elica proveerá gratuitamente, a través de sus distribuidores, partes no-consumibles o componentes que hayan fallado debido a defectos de fabricación. Durante estos dos (2) años de garantía limitada, Elica también proveerá gratuitamente, a través de sus distribuidores, todo el servicio en casa y mano de obra necesaria para reemplazar cualquier parte defectuosa.

QUÉ NO ESTÁ CUBIERTO

- Daños o fallas del producto causados por accidente o actos de Dios, tales como inundaciones incendios o terremotos.
- Daños o fallas causadas por alteración del producto o por el uso de partes no-originales.
- Daños o fallas del producto causados durante la entrega, manejo o instalación.
- Daños o fallas del producto causados por abuso del usuario.
- Daños o fallas del producto causados por reemplazo de fusibles dañados o reseteo de interruptor de circuito.
- Daño o fallas causados por el uso del producto en un ambiente comercial (no doméstico).
- Viajes de servicio para proporcionar orientación de uso o instalación.
- Bombillas, filtros de carbón o metal y cualquier otra parte consumible.
- Desgaste normal.
- Desgaste terminal debido a abusos del usuario, mantenimiento inadecuado, uso de productos / toallas de limpieza corrosivos o abrasivos y por uso de limpiadores para hornos.
- Cuando el producto no hubiese sido operado de acuerdo con el instructivo de uso que se le acompaña.

QUIÉN ESTÁ CUBIERTO

Esta garantía se extiende al comprador original de productos adquiridos para uso residencial en Latinoamérica.

Para cualquier defecto estético se tiene una garantía limitada por treinta (30) días de la fecha de compra del usuario final.

Esta garantía no es transferible y aplica solamente al comprador original y no se extiende a propietarios subsecuentes del producto. Esta garantía se expresa en lugar de otras garantías, expresadas o implicadas, incluyendo, pero no limitada a ninguna garantía implicada de comercialización o adaptada para propósitos particulares y cualquier otra obligación por parte de Elica, considerando, sin embargo, que si la negación de garantías implícitas es inefectiva bajo la ley aplicable, la duración de cualquier garantía implícita será limitada a dos (2) años desde la fecha original de compra o por el periodo necesario como sea requerido por la ley aplicable.

Esta garantía no cubre cualquier daño especial, incidental y/o consecuente, ni pérdidas de ganancias, sufridas por el comprador original, sus clientes y/o usuarios del producto.

A QUIÉN CONTACTAR

Para obtener Servicio bajo Garantía o para cualquier pregunta relacionada a Servicio:

PAÍS	COMPAÑÍA	CONTACTO SERVICIO TÉCNICO	MAIL CONTACTO SERVICIO TÉCNICO	TELEFONO SERVICIO TÉCNICO
MÉXICO	ARTEXA MEXICO S.A. DE C.V.	Martín Melgoza	servicio@artexa.com	+ 52.81.8625.5063
BRASIL	LOFRA SUDAMERICA LTDA	Carlos Fleischfresser	carlos@lofra.com.br	+ 41.3661.7006
PERÚ	LÍNEA HOGAR	Flavio Figari	flavio.figari@appliancecenter.pe	+ 51 1 2418055

Artexa Mexico S.A. de C.V. Domicilio: Cañon Grande #7720, Col. La Estanzuela, Monterrey, N.L., 64984, Mexico ☎ 55 3955 8770
En caso de no existir un distribuidor en su localidad, favor de ingresar a www.elica.com/asistencia

Para garantizar un rápido servicio postventa, cuando llame le pediremos que amablemente brinde la siguiente información que se indica en la placa de identificación que está dentro de la campana: **modelo de campana, 12 NC y fecha de compra en su factura original**. Para acceder a la placa de identificación, todo lo que tiene que hacer es quitar los filtros de grasa.

12NC: _____

Modelo de campana: _____

No. Serie: _____

Fecha de compra en su factura original: _____

ELICA North America

GARANTÍA LIMITADA DE DOS AÑOS

Registre su producto en

elica.com

y gane un 3^{er} año de garantía de fábrica que cubre todas las partes además de la mano de obra.

PARA OBTENER SERVICIO DENTRO DE GARANTÍA

El propietario debe presentar su recibo original de la compra. Guarde por favor una copia de su recibo de compra como prueba, para recibir el servicio dentro del periodo de garantía.

PARTES Y GARANTÍA DE SERVICIO

Por el periodo de dos (2) años desde la fecha original de la compra, Elica proveerá, gratuitamente, partes no-consumibles o componentes que hayan fallado debido a defectos de fabricación. Durante estos dos (2) años de garantía limitada, Elica también proveerá gratuitamente, todo el servicio en casa y mano de obra necesaria para reemplazar cualquier parte defectuosa.

QUÉ NO ESTÁ CUBIERTO

- Daños o fallas del producto causados por accidente o actos de Dios, tales como inundaciones incendios o terremotos.
- Daños o fallas causadas por alteración del producto o por el uso de partes no-originales.
- Daños o fallas del producto causados durante la entrega, manejo o instalación.
- Daños o fallas del producto causados por abuso del usuario.
- Daños o fallas del producto causados por reemplazo de fusibles dañados o reseteo de interruptor de circuito.
- Daño o fallas causados por el uso del producto en un ambiente comercial (no doméstico).
- Viajes de servicio para proporcionar orientación de uso o instalación.
- Bombillas, filtros de carbón o metal y cualquier otra parte consumible.
- Desgaste normal.
- Desgaste terminal debido a abusos del usuario, mantenimiento inadecuado, uso de productos / toallas de limpieza corrosivos o abrasivos y por uso de limpiadores para hornos.
- Cuando el producto no hubiese sido operado de acuerdo con el instructivo de uso que se le acompaña.

QUIÉN ESTÁ CUBIERTO

Esta garantía se extiende al comprador original de productos adquiridos para uso residencial en Norte América (incluyendo Estados Unidos, Guam, Puerto Rico, Islas Vírgenes de EU y Canadá).

Esta garantía no es transferible y aplica solamente al comprador original y no se extiende a propietarios subsecuentes del producto. Esta garantía se expresa en lugar de otras garantías, expresadas o implicadas, incluyendo, pero no limitada a ninguna garantía implicada de comercialización o adaptada para propósitos particulares y cualquier otra obligación por parte de Elica North America, considerando, sin embargo, que si la negación de garantías implícitas es inefectiva bajo la ley aplicable, la duración de cualquier garantía implícita será limitada a dos (2) años desde la fecha original de compra o por el periodo necesario como sea requerido por la ley aplicable.

Esta garantía no cubre cualquier daño especial, incidental y/o consecuente, ni pérdidas de ganancias, sufridas por el comprador original, sus clientes y/o usuarios del producto.

A QUIÉN CONTACTAR

Para obtener Servicio bajo Garantía o para cualquier pregunta relacionada a Servicio:
Favor de llamar a:

- **USA & CANADA - Provincias Occidentales**
SERVICE POWER
888 732 8018
elica@servicepower.com
- **CANADA - Provincia de Ontario**
AGI Services
888 651 2534
service@agintl.qc.ca
- **CANADA - Provincias de Quebec & Atlántico**
Ateliers G. Paquette
800 463 0119
service@ateliersgpaquette.com

Para garantizar un rápido servicio postventa, cuando llame le pediremos que amablemente brinde la siguiente información que se indica en la placa de identificación que está dentro de la campana: **modelo de campana, 12 NC y fecha de compra en su factura original**. Para acceder a la placa de identificación, todo lo que tiene que hacer es quitar los filtros de grasa.

12NC: _____

Modelo de campana: _____

No. Serie: _____

Fecha de compra en su factura original: _____

