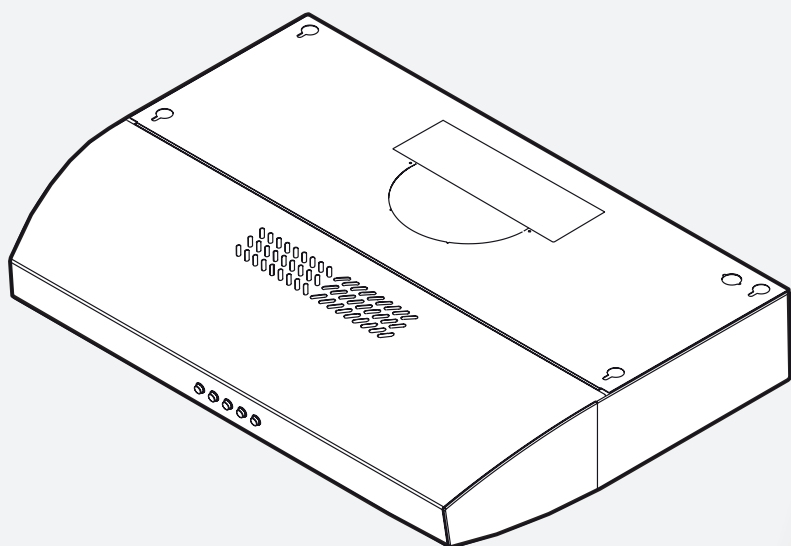


Use, Care, and Installation Guide

Guide
d'utilisation,
d'entretien et
d'installation

Guía de
instalación, uso y
mantenimiento



READ AND SAVE THESE
INSTRUCTIONS

LISEZ CES
INSTRUCTIONS ET
CONSERVEZ-LES

LEA Y CONSERVE
ESTAS INSTRUCCIONES

Models: | EAL330S1
EAL336S1

Contents

Important safety notice..... 3
 Electrical & installation requirements 4
 Before installing the hood 4
Dimensions and clearances..... 4
List of materials.....5
 Parts supplied5
 Parts not supplied5
Ducting options and examples..... 6
Installation 7
 Electrical connection..... 9
 Complete the installation..... 9
Description of the hood.....9
Control.....9
Maintenance10
Warranty 11

**APPROVED FOR RESIDENTIAL APPLIANCES
FOR RESIDENTIAL USE ONLY
READ AND SAVE THESE INSTRUCTIONS**

**PLEASE READ ENTIRE INSTRUCTIONS BEFORE PROCEEDING.
INSTALLATION MUST COMPLY WITH ALL LOCAL CODES.**

IMPORTANT: Save these Instructions for the Local Electrical Inspector's use.

INSTALLER: Please leave these Instructions with this unit for the owner.

OWNER: Please retain these instructions for future reference.

Safety Warning: Turn off power circuit at service panel and lock out panel, before wiring this appliance.

Requirement: 120 V AC, 60 Hz. 15 or 20 A Branch Circuit.

⚠ IMPORTANT SAFETY NOTICE

⚠ CAUTION

FOR GENERAL VENTILATING USE ONLY. DO NOT USE TO EXHAUST HAZARDOUS OR EXPLOSIVE MATERIALS OR VAPOURS.

⚠ WARNING

TO REDUCE THE RISK OF FIRE, ELECTRIC SHOCK, OR INJURY TO PERSONS, OBSERVE THE FOLLOWING:

- A. Use this unit only in the manner intended by the manufacturer. If you have questions, contact the manufacturer.
- B. Before servicing or cleaning the unit, switch power off at service panel and lock service panel disconnecting means to prevent power from being switched on accidentally.
When the service disconnecting means cannot be locked, securely fasten a prominent warning device, such as a tag, to the service panel.
- C. Installation work and electrical wiring must be done by qualified person(s) in accordance with all applicable codes & standards, including fire-rated construction.
- D. Sufficient air is needed for proper combustion and exhausting of gases through the flue (Chimney) of fuel burning equipment to prevent back-drafting.
Follow the heating equipment manufacturers guideline and safety standards such as those published by the national fire protection association (NFPA), the american society for heating, refrigeration and air conditioning engineers (ASHRAE), and the local code authorities.
- E. When cutting or drilling into wall or ceiling, do not damage electrical wiring and other hidden utilities.
- F. Ducted systems must always be vented to the outdoors.

⚠ CAUTION

To reduce risk of fire and to properly exhaust air, be sure to duct air outside - do not vent exhaust air into spaces within walls, ceilings, attics, crawl spaces, or garages.

⚠ WARNING

TO REDUCE THE RISK OF FIRE, USE ONLY METAL DUCT WORK.

Install this hood in accordance with all requirements specified.

⚠ WARNING

To reduce the risk of fire or electric shock, do not use this hood with any external solid state speed control device.

⚠ WARNING

TO REDUCE THE RISK OF A RANGE TOP GREASE FIRE.

- a) Never leave surface units unattended at high settings. Boilovers cause smoking and greasy spillovers that may ignite. Heat oils slowly on low or medium settings.
- b) Always turn hood ON when cooking at high heat or when flambeing food (I.e. Crepes Suzette, Cherries Jubilee, Peppercorn Beef Flambe').
- c) Clean ventilating fans frequently. Grease should not be allowed to accumulate on fan or filter.
- d) Use proper pan size. Always use cookware appropriate for the size of the surface element.

⚠ WARNING

TO REDUCE THE RISK OF INJURY TO PERSONS, IN THE EVENT OF A RANGE TOP GREASE FIRE, OBSERVE THE FOLLOWING:^a

- a) SMOTHER FLAMES with a close-fitting lid, cookie sheet, or other metal tray, then turn off the gas burner or the electric element. BE CAREFUL TO PREVENT BURNS. If the flames do not go out immediately, EVACUATE AND CALL THE FIRE DEPARTMENT.
- b) NEVER PICK UP A FLAMING PAN - you may be burned.
- c) DO NOT USE WATER, including wet dishcloths or towels - a violent steam explosion will result.
- d) Use an extinguisher ONLY if:
 - 1) You know you have a class ABC extinguisher, and you already know how to operate it.
 - 2) The fire is small and contained in the area where it started.
 - 3) The fire department is being called.
 - 4) You can fight the fire with your back to an exit.
- e) Ducted fans must always be vented to the outdoor.

^aBased on "Kitchen Fire Safety Tips" published by NFPA.

NOTE: This appliance is not intended for use by persons (including children) with reduced physical, sensory or mental capabilities, or lack of experience and knowledge, unless they have been given supervision or instruction concerning use of the appliance by a person responsible for their safety.

NOTE: Children should be supervised to ensure that they do not play with the appliance

⚠ CAUTION

Automatically Operated Device - To Reduce The Risk Of Injury Disconnect From Power Supply Before Servicing.

If provided with an electrical plug, connect the hood to a receptacle that complies with current regulations and placed in an accessible position. Where an electrical plug is not provided (direct connection to electrical network) or the plug will not be in an accessible position after installation, place an approved bipolar switch in accessible position that provides full disconnection under overvoltage category III conditions, in accordance with local wiring rules.

ELECTRICAL & INSTALLATION REQUIREMENTS

IMPORTANT

Observe all governing codes and ordinances.

It is the customer's responsibility:

- To contact a qualified electrical installer.
- To assure that the electrical installation is adequate and in conformance with National Electrical Code, ANSI/NFPA 70 — latest edition*, or CSA Standards C22.1-94, Canadian Electrical Code, Part 1 and C22.2 No.0-M91-latest edition** and all local codes and ordinances.
- If codes permit and a separate ground wire is used, it is recommended that a qualified electrician determine that the ground path is adequate.
- Do not ground to a gas pipe.
- Check with a qualified electrician if you are not sure range hood is properly grounded.
- Do not have a fuse in the neutral or ground circuit.

IMPORTANT

- Save Installation Instructions for electrical inspector's use.
- The range hood must be connected with copper wire only.
- The range hood should be connected directly to the fused disconnect (Or circuit breaker) box through metal electrical conduit.
- Wire sizes must conform to the requirements of the National Electrical Code ANSI/NFPA 70 — latest edition*, or CSA Standards C22.1-94, Canadian Electrical Code Part 1 and C22.2 No. 0-M91 - latest edition** and all local codes and ordinances.
- A U.L.- or C.S.A.-listed conduit connector must be provided at each end of the power supply conduit (at the range hood and at the junction box).

Copies of the standards listed may be obtained from:

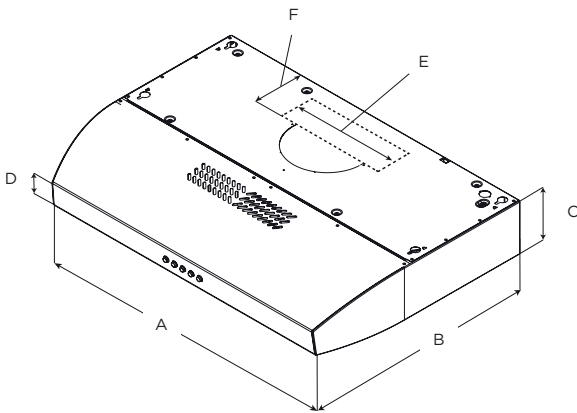
* National Fire Protection Association Batterymarch Park Quincy, Massachusetts 02269

** CSA International 8501 East Pleasant Valley Road Cleveland, Ohio 44131-5575

BEFORE INSTALLING THE HOOD

- 1 For the most efficient air flow exhaust, use a straight run or as few elbows as possible.
CAUTION: Vent unit to outside of building, only.
- 2 At least two people are necessary for installation.
- 3 Fittings material is provided to secure the hood to most types of walls/ceilings, consult a Qualified Installer, check if they perfectly fit with your cabinet/wall.
- 4 Do not use flex ducting.
- 5 COLD WEATHER installations should have an additional backdraft damper installed to minimize backward cold air flow and a nonmetallic thermal break to minimize conduction of outside temperatures as part of the ductwork. The damper should be on the cold air side of the thermal break.
The break should be as close as possible to where the ducting enters the heated portion of the house.
- 6 Make up air: Local building codes may require the use of Make-Up Air Systems when using Ducted Ventilation Systems greater than specified CFM of air movement. The specified CFM varies from locale to locale. Consult your HVAC professional for specific requirements in your area.

PRODUCT DIMENSIONS



	Models	
	EAL330S1	EAL336S1
A	30" (76.2 cm)	36" (91.4 cm)
B	20" (50.8 cm)	
C	4 $\frac{7}{16}$ " (12 cm)	
D	2 $\frac{7}{8}$ " (5.7 cm)	
E	3 $\frac{1}{4}$ " x 10" (8.3 x 25.4 cm)	
F	5 $\frac{1}{16}$ " (13 cm)	

LIST OF MATERIALS

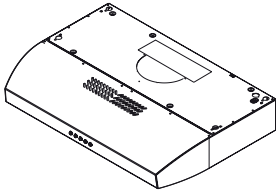



Removing the packaging.

⚠ CAUTION

Remove carton carefully, Wear gloves to protect against sharp edges.

⚠ WARNING

Remove the protective film covering the product before putting into operation.

Supplied Part	Pieces	Supplied Part	Pieces
 <p>Hood assembly and LED lamps already installed</p>	1	 <p>4.5x13 mm</p>	4
 <p>Rectangular duct 3¼" x 10" (8.3 x 25.4 cm) with back draft dampers</p>	1	 <p>3.5x6.5 mm</p>	1

Parts no supplied

Tools/Materials required

- Drill
- 1¼" (3.0 cm) drill bit
- ½" (3.0 mm) drill bit for pilot holes
- Pencil
- Wire stripper or utility knife
- Tape measure or ruler
- Caulking gun and weatherproof caulking compound
- Saber or keyhole saw
- Metal snips
- Screwdrivers:
 - Phillips
 - Flat-blade

Optional accessories and consumable parts

KIT	# Part	
	30" (76.2 cm)	36" (91.4 cm)
Recirculating Kit	KIT02178	KIT02179
7" Round Kit	KIT02723	
Upgrade Filters Kit	KIT02591	KIT02592

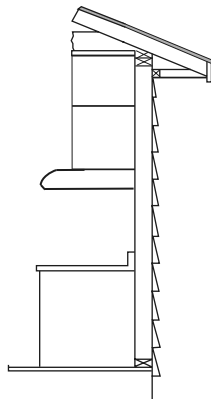
Ducting Options

Closely follow the instructions set out in this manual. All responsibility, for any eventual inconveniences, damages or fires caused by not complying with the instructions in this manual, is declined.

Ductless (Recirculating)

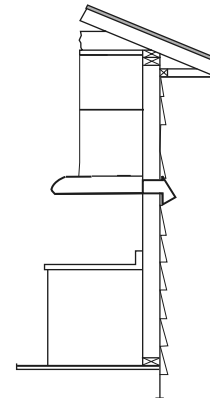
NOTE:

In cases where it should not be possible to discharge cooking fumes and vapour to the outside, purchase: The Recirculating Kit.



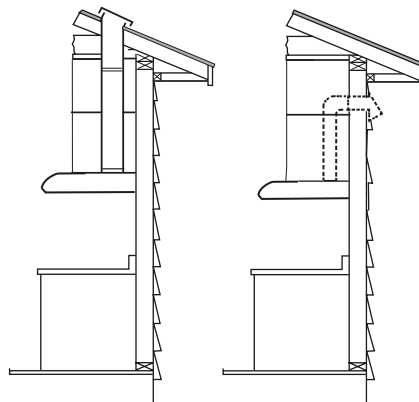
Horizontal Discharge

Use a rectangular duct $3\frac{1}{4}'' \times 10''$ (8.3 x 25.4 cm) for discharge of fumes to the outside.



Vertical Discharge

Use a rectangular duct $3\frac{1}{4}'' \times 10''$ (8.3 x 25.4 cm) or use a 7'' (17.8 cm) round transition for discharge of fumes to the outside.



Preparation

Do not cut a joist or stud unless absolutely necessary. If a joist or stud must be cut, then a supporting frame must be constructed.

Fittings material is provided to secure the hood to most types of walls/ceilings.

However, a qualified technician must verify suitability of the materials in accordance with the type of wall/ceiling.

Before making cutouts, make sure there is proper clearance within the ceiling or wall for exhaust vent.

⚠ CAUTION

For gas cooktop & range installations: Mount the hood so the bottom is at least 30'' (76.2 cm) above the cooking surface.

For electric/induction cooktop & range installations: Mount the hood so the bottom is at least 24'' (61 cm) above the cooking surface.

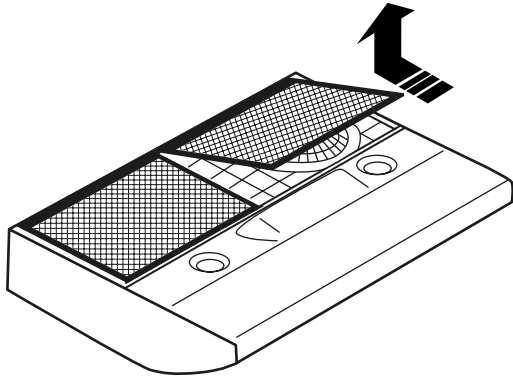
There is no maximum mounting height, however, we recommend mounting the hood no greater than 36'' (91.4 cm) above the cooking surface. For every inch (2.54 cm) above 36'' (91.4 cm), fume and moisture capture efficiency diminishes at an increasing rate and may not deliver an acceptable level of ventilating performance. This hood is intended for household use.

PLEASE READ THE INSTALLATION MANUAL FOR SPECIFIC APPLICATION. Check your ceiling height and hood height before selecting your hood.

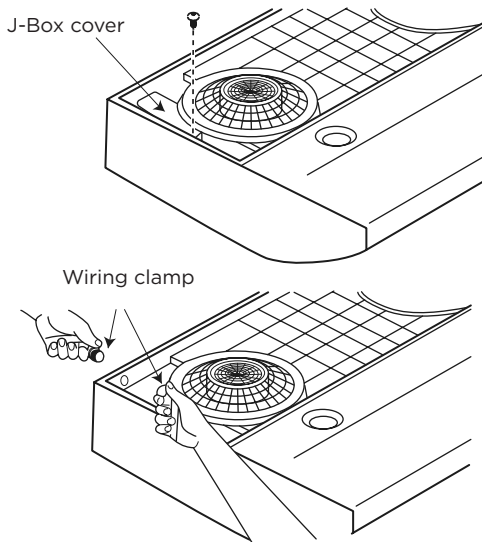
Installation- Ducting Version

After having chosen the vent option, proceed as follows:

- 1 Remove the grease filters.



- 2 Remove the junction box cover. Remove either the top or the back wiring knockout according to the preference and install an approved wiring clamp.



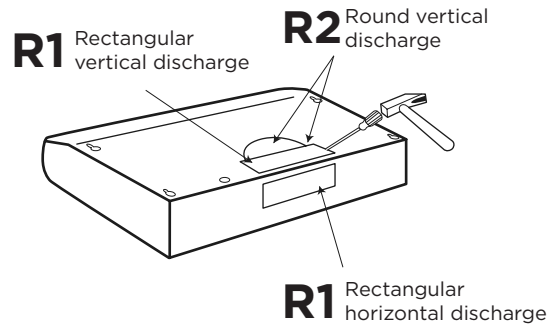
- 3 Remove the duct knockouts using a flat blade screwdriver and a small hammer. Use the screwdriver by knocking out the panel in similar fashion to a scalpel. Take care of sharp edges.

⚠ ATTENTION

If it is intended to use the hood in the recirculating version do not remove any duct knockouts and order the necessary charcoal filter from your supplier.

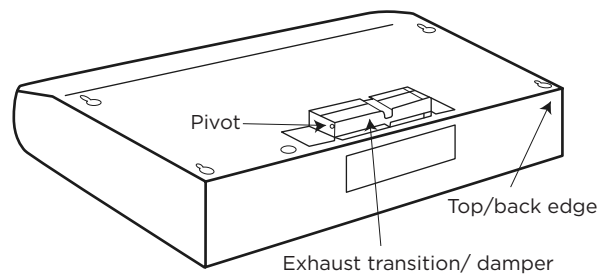
R1 = Remove rectangular duct knockout only.

R2 = Remove semicircular and rectangular duct knockouts.



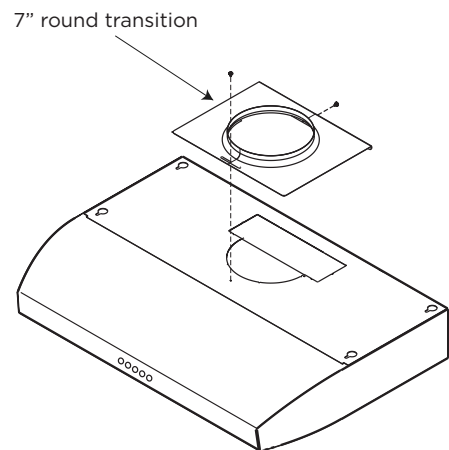
- 4 For rectangular ducted discharge installations only. Attach exhaust adaptor/damper over knockout opening with two exhaust adaptor screws. Make sure damper pivot is nearest to top/back edge of hood. Remove tape from damper flap.

NOTE: The exhaust adaptor/damper can be installed up to 1 inch on either side of the hood center to accommodate off-center ductwork. In extreme offcenter installations, one end of the duct connector may need to be trimmed to clear the electrical cable clamp.



- 5 For round ducted discharge installations install 7" (17.8 cm) transition with its screws (purchase it as a kit).

NOTE: The round transition can be installed up to 1 inch on either side of the hood center to accommodate off-center ductwork. In extreme offcenter installations, one end of the duct connector may need to be trimmed to clear the electrical cable clamp.



Mark holes

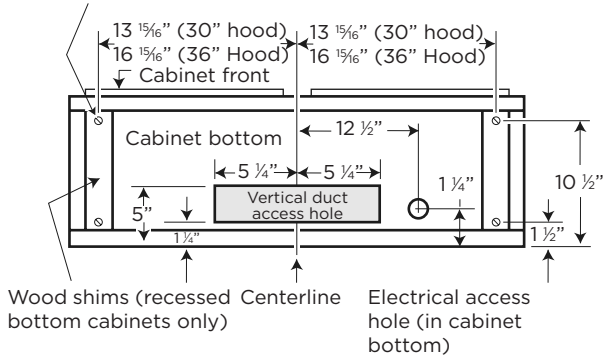
- 1 Select the vent option that your installation will require and proceed to that section:

Outside top exhaust

(Vertical duct- 3 1/4" x 10" Rectangular)

Use the diagram or the hood as a template and mark the locations on the cabinet for ductwork, electrical wiring and keyhole screw slots.

Hood mounting screws (4)

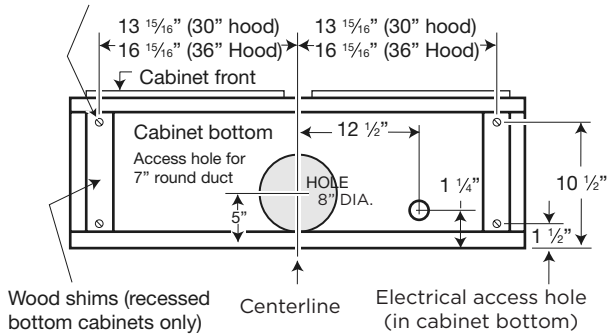


Outside top exhaust (Only recirculating version)

(Vertical duct-7" Round)

Use the diagram or the hood as a template and mark the locations on the cabinet for ductwork, electrical wiring and keyhole screw slots.

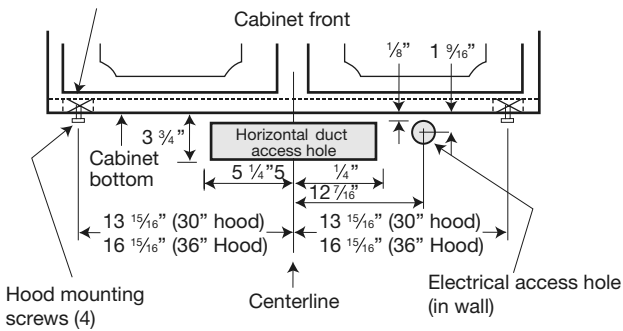
Hood mounting screws (4)



Outside rear exhaust

(Horizontal duct- 3 1/4" x 10" Rectangular)

Use the diagram or the hood as a template and mark the locations on the cabinet for ductwork, electrical wiring and keyhole screw slots.



Installation- Recirculating

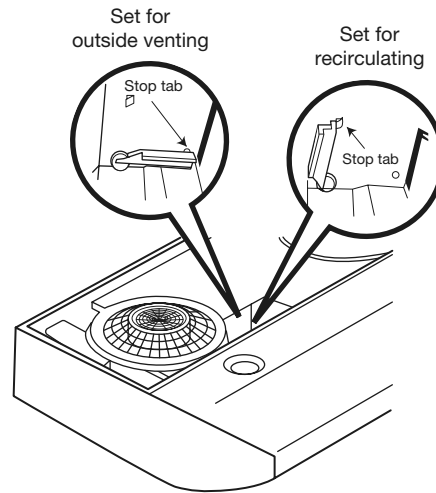
Use the hood as a template and mark the locations on the cabinet for the electrical wiring and keyhole screw slots. Since the hood is to be recirculated (not to be vented outside), do not cut out any vent openings in the wall or cabinet bottom.

Choose Venting Option

- 1 The hood can be set to vent outside or to recirculate air back into the kitchen. The plastic vent lever is located near the center of the hood opening.

To vent to the outside, make sure the plastic vent lever is in the HORIZONTAL position (flat against the metal top of the hood). To recirculate air into the kitchen, make sure the plastic vent lever is in the VERTICAL position (flat against the plastic blower housing).

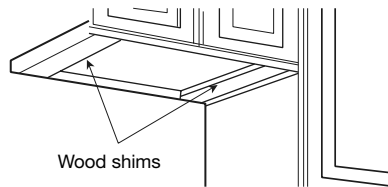
NOTE: In order to change the vent lever position, you will need to pull the lever out slightly to clear the plastic tabs.



Hood shown lying upside down

For recessed bottom cabinet only

- 1 If the cabinets have front, side or back trim, make 2 wood shims the width of the trim and attach them to the cabinet bottom recess on both sides. See previous page for marking locations.



- 2 Cut holes at marked locations for duct and electrical wiring. For the vertical duct, cut out 3/4" extra toward the front of the cabinet so you can move the duct freely when installing the hood. It may also ease installation by cutting the hole 10 1/2" instead of 10".
- 3 Drive a mounting screw (from the hardware packet) partway into each center of the narrow neck of the keyhole slots marked on the cabinet bottom.
- 4 Fix the wiring conduit to the hood.
- 5 Slide the hood back against the wall. Tighten the mounting screws. Be sure the screw heads are in the narrow neck of the keyhole slot. Connect Ductwork to hood.

Electrical Connection

⚠️WARNING

ELECTRICAL SHOCK HAZARD.

⚠️WARNING

TURN OFF POWER CIRCUIT AT THE SERVICE PANEL BEFORE WIRING THIS UNIT.

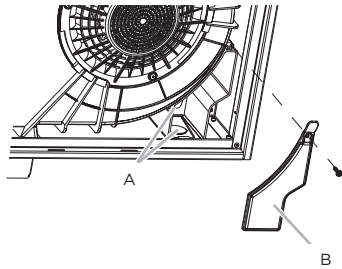
120 VAC, 15 OR 20 AMP CIRCUIT REQUIRED.

ELECTRICAL GROUNDING INSTRUCTIONS

THIS APPLIANCE IS FITTED WITH AN ELECTRICAL JUNCTION BOX WITH 3 WIRES, ONE OF WHICH (GREEN/YELLOW) SERVES TO GROUND THE APPLIANCE. TO PROTECT YOU AGAINST ELECTRIC SHOCK, THE GREEN AND YELLOW WIRE MUST BE CONNECTED TO THE GROUNDING WIRE IN YOUR HOME ELECTRICAL SYSTEM, AND IT MUST UNDER NO CIRCUMSTANCES BE CUT OR REMOVED.

Failure to do so can result in death or electrical shock.

- Remove the knockout and the Junction box cover and install the conduit connector (cULus listed) in junction box.



A. Knockout
B. Junction box cover

- Run 3 wires; black, white and green, according to the National Electrical Code and local codes and ordinances, in ½" conduit from service panel to junction box.
- Connect black wire from service panel to black or red in junction box, white to white and green to green-yellow.
- Close and secure junction box cover.

Complete Installation

Replace filters.

Check operation of the hood.

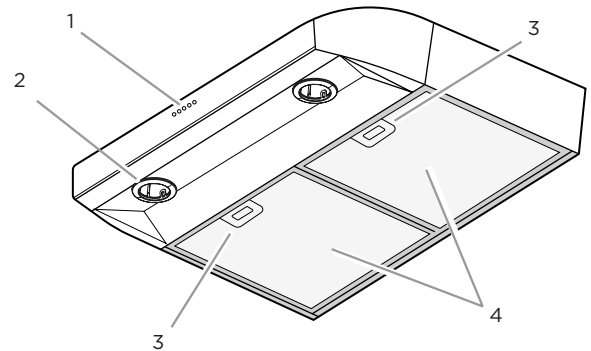
If range hood does not operate:

- Check that the circuit breaker is not tripped or the house fuse blown.
- Disconnect power supply. Check that wiring is correct.

To get the most efficient use from your new range hood, read the "Maintenance" section.

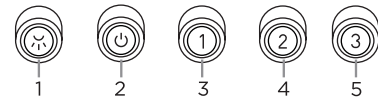
Keep your Installation Instructions and Use and Care Guide close to range hood for easy reference.

Description of the Hood



- Blower and light controls
- LED lamps
- Grease filter handle
- Grease filter

Controls



- Light On/Off button
- Blower On/Off button
- Blower speed minimum button
- Blower speed medium button
- Blower speed maximum button

NOTE: Control buttons will light up when range hood is On.

Operating the light

The Light On/Off button (1) controls both lights. Press once for On and again for Off.

Operating the blower

The Blower On/Off button (2) turns the blower On or Off. The Blower Speed buttons (3, 4 and 5) set the desired speed and control the sound level for quiet operation. The speed can be changed anytime during fan operation by pressing the desired blower speed button.

- To turn the blower On, press the Blower On/Off button (2) and the desired speed button (3, 4 or 5).
- To turn the blower Off, press the Blower On/Off button (2).

Any of the 3 blower speed buttons can be in the On position at the same time. The blower will operate at the highest speed button that is pushed in. For lower blower speeds, the higher speed buttons must not be pushed in.

Maintenance

Cleaning

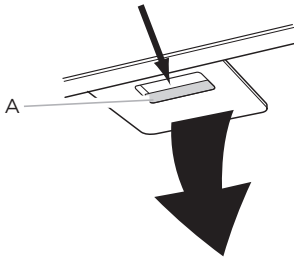
Do not spray cleaners directly to the control while cleaning the Hood. The cooker hood should be cleaned regularly (at least with the same frequency with which you carry out maintenance of the fat filters) internally and externally. Clean using the cloth dampened with neutral liquid detergent. Do not use abrasive products.
DO NOT USE ALCOHOL!

⚠ WARNING:

Failure to carry out the basic cleaning recommendations of the cooker hood and replacement of the filters may cause fire risks. Therefore, we recommend observing these instructions. The manufacturer declines all responsibility for any damage to the motor or any fire damage linked to inappropriate maintenance or failure to observe the above safety recommendations.

Grease Filter

Traps cooking grease particles. This must be cleaned once a month using non aggressive detergents, either by hand or in the dishwasher, which must be set to a low temperature and a short cycle. When washed in a dishwasher, the grease filter may discolour slightly, but this does not affect its filtering capacity. To remove the grease filter, pull the spring release handle.



Replacing a LED Lamp

The LED lights are replaceable by a service technician only. See "Who to contact" section in the warranty for service contact information.

Charcoal Filter

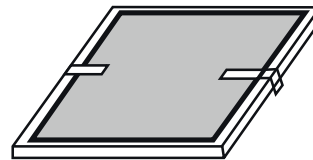
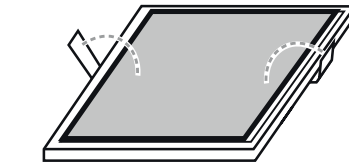
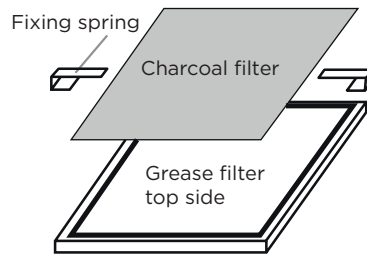
If the model is not vented to the outside, the air will be recirculated through disposable charcoal filters that help remove smoke and odors. The charcoal filters cannot be cleaned. They must be replaced. The charcoal filters are clipped inside of each metal grease filter (mounting instructions included with charcoal filters kit). The charcoal filters should be replaced every 4-6 months (depending on hood usage).

NOTE: DO NOT rinse, or put charcoal filters in an automatic dishwasher.
NOTE: Charcoal filters are not included with the hood. They must be ordered from your supplier. Order the needed kit specifying your hood model and width size.

Charcoal filter placement (Recirculating accessories)

Fit the charcoal filter mattress on the upper side of each grease filter. Use provided springs to fix it in place.

NOTE: When removing for replacing for a new one do not remove Fixing Springs, simply pull out one and rotate outwards.



ELICA North America

TWO-YEAR LIMITED WARRANTY

Register your product in

elica.com

and earn a 3rd year of factory warranty, covering all parts plus in-home labor.

TO OBTAIN SERVICE UNDER WARRANTY

Owner must present proof of original purchase date. Please keep a copy of your dated proof of purchase (sales slip) in order to obtain service under warranty.

PARTS AND SERVICE WARRANTY

For the period of two (2) years from the date of the original purchase, Elica will provide free of charge, non consumable parts or components that failed due to manufacturing defects. During these two (2) years limited warranty, Elica will also provide free of charge, all labor and in-home service to replace any defective parts.

WHAT IS NOT COVERED

- Damage or failure to the product caused by accident or act of God, such as, flood, fire or earthquake.
- Damage or failure caused by modification of the product or use of non-genuine parts.
- Damage or failure to the product caused during delivery, handling or installation.
- Damage or failure to the product caused by operator abuse.
- Damage or failure to the product caused by dwelling fuse replacement or resetting of circuit breakers.
- Damage or failure caused by use of product in a commercial application.
- Service trips to dwelling to provide use or installation guidance.
- Light bulbs, metal or carbon filters and any other consumable part.
- Normal wear of finish.
- Wear to finish due to operator abuse, improper maintenance, use of corrosive or abrasive cleaning products/pads and oven cleaner products.

WHO IS COVERED

This warranty is extended to the original purchaser for products purchased for ordinary residential use in North America (Including the United States, Guam, Puerto Rico, US Virgin Islands & Canada).

This warranty is non-transferable and applies only to the original purchaser and does not extend to subsequent owners of the product. This warranty is made expressly in lieu of all other warranties, expressed or implied, including, but not limited to any implied warranty of merchantability or fitness for a particular purpose and all other obligations on the part of Elica North America, provided, however, that if the disclaimer of implied warranties is ineffective under applicable law, the duration of any implied warranty arising by operation of law shall be limited to two (2) years from the date of original purchase at retail or such longer period as may be required by applicable law.

This warranty does not cover any special, incidental and/or consequential damages, nor loss of profits, suffered by the original purchaser, its customers and/or the users of the Products.

WHO TO CONTACT

To obtain service under warranty or for any service related question:

- Elica North America Service, call at 1 888 732 8018
- For Eastern Canada, call AGI Services at 1 888 651 2534 Ask for the service department
- elica@servicepower.com

Table des matières

Avis de sécurité important	13
Exigences électriques et d'installation	14
Avant d'installer la hotte	14
Dimensions du produit	14
Liste des pièces	15
Pièces fournies	15
Pièces non fournies	15
Méthodes d'évacuation	16
Installation	17
Electrical connection.....	19
Achever l'installation	19
Description de la hotte	19
Commandes	19
Entretien	20
Garantie	21

**APPROUVÉ POUR LES APPAREILS DE TYPE RÉSIDENTIEL
POUR UNE UTILISATION RÉSIDENTIELLE SEULEMENT
LISEZ CES INSTRUCTIONS ET CONSERVEZ-LES**

**VEUILLEZ LIRE CES INSTRUCTIONS AU COMPLET AVANT DE COMMENCER.
L'INSTALLATION DE L'APPAREIL DOIT RESPECTER TOUS LES CODES EN VIGUEUR.**

IMPORTANT : Conservez ces instructions afin de pouvoir les remettre à l'inspecteur-électricien de votre région.

INSTALLATEUR : Veuillez laisser ces instructions avec l'appareil pour le propriétaire.

PROPRIÉTAIRE : Veuillez conserver ces instructions pour pouvoir vous y référer plus tard.

Avertissement de sécurité : Coupez l'alimentation du circuit dans le panneau électrique et verrouillez le panneau avant de raccorder les fils de cet appareil.

Exigence : 120 V c.a., 60 Hz circuit de dérivation de 15 V c.a., 20 Hz, de 15 ou 20 A.

⚠️ AVIS DE SÉCURITÉ IMPORTANT

⚠️ ATTENTION

UTILISER CET APPAREIL À DES FINS DE VENTILATION GÉNÉRALE SEULEMENT. NE PAS UTILISER CET APPAREIL POUR ÉVACUER DES MATÉRIAUX OU DES VAPEURS DANGEREUX OU EXPLOSIFS.

⚠️ AVERTISSEMENT

POUR RÉDUIRE LES RISQUES D'INCENDIE, DE CHOC ÉLECTRIQUE ET DE BLESSURE, RESPECTER LES DIRECTIVES SUIVANTES:

- Utiliser cet appareil uniquement aux fins prévues par le fabricant. Si vous avez des questions à propos de l'appareil, communiquez avec le fabricant.
- Avant de faire l'entretien de l'appareil ou de le nettoyer, coupez l'alimentation dans le panneau électrique et verrouillez le panneau en bloquant le dispositif permettant d'empêcher d'activer l'alimentation accidentellement. S'il n'est pas possible de verrouiller l'accès au panneau, fixez une étiquette très voyante au panneau électrique.
- Une personne qualifiée doit effectuer l'installation et le câblage des fils électriques en conformité avec tous les codes et toutes les normes, y compris la cote de résistance au feu.
- Il est important de prévoir suffisamment d'air pour assurer une bonne combustion de l'équipement de chauffe et l'évacuation adéquates des gaz par le conduit de cheminé afin de prévenir les refoulements d'air. Respectez les directives et les normes de sécurité des fabricants de l'équipement de chauffage, comme celles publiées par la National Fire Protection Association (NFPA), la American Society for Heating, Refrigeration and Air Conditioning Engineers (ASHRAE) et le code des autorités de votre région.
- Au moment de couper ou de percer un mur ou un plafond, assurez-vous de ne pas endommager la filerie électrique ou tout autre accès à un service public.
- Il faut toujours évacuer à l'extérieur les systèmes conduit.

⚠️ ATTENTION

Pour réduire les risques d'incendie et évacuer l'air correctement, assurez-vous que le conduit mène à l'extérieur; il ne faut pas évacuer l'air dans l'espace entre les murs, dans les plafonds, dans les greniers, les vides sanitaires ou les garages.

⚠️ AVERTISSEMENT

POUR RÉDUIRE DES RISQUES D'INCENDIE, UTILISEZ UNIQUEMENT DES CONDUITS EN MÉTAL.
Installez cette hotte en respectant toutes les exigences mentionnées.

⚠️ AVERTISSEMENT

Pour réduire les risques d'incendie et de choc électrique, n'utilisez pas cette hotte avec un contrôleur de vitesse à semi-conducteurs.

⚠️ ATTENTION

Dispositif à commande automatique - pour réduire le risque de Blessure Débrancher de l'alimentation électrique avant la maintenance.

⚠️ AVERTISSEMENT

POUR RÉDUIRE LES RISQUES D'INCENDIE DE GRAISSE SUR LES CUISINIÈRES.

- Ne laissez jamais la cuisinière sans surveillance lorsqu'elle est réglée à une haute température. Les débordements par bouillonnement causent de la fumée et des débordements de gras qui peuvent s'enflammer. Faites chauffer l'huile lentement, à une température basse ou moyenne.
- Faites toujours fonctionner la hotte lorsque vous utilisez la cuisinière à une haute température ou que vous faites flamber des aliments (P. ex.: crêpes Suzette, cerises jubilé, boeuf au poivre flambé).

- Nettoyez les hélices de ventilation fréquemment. Il ne faut pas que la graisse s'accumule sur les filtres ou les hélices.
- Utilisez le bon format de casserole. Utilisez toujours un chaudron de taille approprié à l'élément de la cuisinière.
- Convient pour utilisation dans la zone de cuisson domestique.

⚠️ AVERTISSEMENT

POUR ÉVITER DE BLESSER QUELQU'UN LORS D'UN INCENDIE DE GRAISSE SUR LA CUISINIÈRE, SUIVRE LES CONSEILS SUIVANTS:^a

- ÉTOUFFER LES FLAMMES avec un couvercle aux dimensions de la taque de cuisson, une tôle à biscuit ou tout autre plateau métallique, puis couper le gaz ou l'alimentation électrique de la cuisinière. FAIRE ATTENTION A NE PAS SE BRÛLER. Si les flammes ne s'éteignent pas immédiatement, QUITTER LA PIÈCE ET APPELER LES POMPIERS.
- NE JAMAIS PRENDRE EN MAIN UNE CASSEROLE N FEU, vous pourriez vous blesser.
- NE PAS UTILISER D'EAU, y compris les essuies de vaisselle ou les serviettes humides – une violente explosion due à la vapeur formée pourrait survenir.
- Utiliser un extincteur SEULEMENT si:
 - Vous êtes sûr d'avoir un extincteur de classe ABC que vous savez utiliser.
 - Le feu est petit et confiné à la zone où il s'est formé.
 - Les pompiers ont été appelés.
 - Vous pouvez lutter contre le feu avec une sortie derrière vous.
- Les ventilateurs conduits doivent toujours être évacués vers l'extérieur.

a Recommandations tirées des conseils de sécurité en cas d'incendie de cuisine publiés par la NFPA.

REMARQUE: Cet appareil n'est pas destiné à être utilisé par des personnes (y compris des enfants) dont les capacités physiques, sensorielles ou mentales sont réduites, ou qui manquent d'expérience et de connaissances, à moins qu'elles n'aient reçu une surveillance ou des instructions concernant l'utilisation de l'appareil de la part d'une personne responsable de leur sécurité.

REMARQUE: Les enfants doivent être surveillés afin de s'assurer qu'ils ne jouent pas avec l'appareil.

MODE OPÉRATOIRE

Toujours laisser les grilles de sécurité et les filtres à leur place. Sans la présence de ces derniers, les parties aspirantes pourraient attirer les cheveux, les doigts ou les vêtements.

Le fabricant décline toute responsabilité si les informations détaillées dans ce manuel pour l'installation, l'entretien et l'utilisation adéquate du produit ne sont pas observées. Le fabricant décline en outre toute responsabilité pour d'éventuelles blessures dues à des négligences; en outre, la garantie de l'appareil sera annulée suite à des conditions d'entretien inappropriées. Cet appareil est fabriqué pour un usage interne. Ne pas utiliser cet appareil à l'extérieur.

Si la hotte est munie d'une fiche électrique, la raccorder à un réceptacle conforme à la réglementation en vigueur et placé en position accessible. Si la hotte n'est pas équipée d'une fiche électrique (raccordement direct au réseau électrique) ou si la fiche ne sera pas en position accessible après l'installation, placez un interrupteur bipolaire homologué en position accessible qui assure une déconnexion totale dans des conditions de surtension de catégorie III, conformément aux règles de câblage locales.

EXIGENCES ÉLECTRIQUES ET D'INSTALLATION

IMPORTANT

Respectez tous les codes et les ordonnances en vigueur.

Le client a la responsabilité de :

- Contacter un électricien-installateur.
- Vérifier que l'installation électrique est adéquate et conforme avec le Code national de l'électricité, ANSI/ NFPA 70 (la plus récente édition*), ou les normes C22.1-94, Code canadien de l'électricité, Partie 1 et C22.2 No.0-M91 (La plus récente édition**) de la CSA, ainsi que tous les codes et les ordonnances de votre région.
- Si le code le permet et que vous utilisez un fil de mise à la terre distinct, il est recommandé de faire vérifier le chemin du fil par un électricien.
- Ne pas mettre l'appareil à la terre sur une conduite de gaz.
- Consultez un électricien qualifié si vous n'êtes pas certain que la hotte est mise à la terre correctement.
- N'installez pas un fusible dans le circuit neutre ou le circuit de mise à la terre.

IMPORTANT

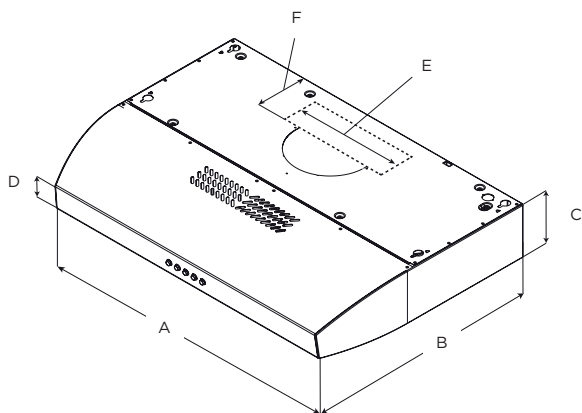
- Conservez ces instructions afin de pouvoir les remettre à l'inspecteur-électricien.
- La hotte doit être câblée uniquement à l'aide de fils de cuivre.
- Il faut raccorder la hotte directement à une boîte à fusible ou à un disjoncteur par l'entremise d'une canalisation électrique en métal.
- Le calibre de fil doit être conforme aux exigences du Code national de l'électricité, ANSI/NFPA 70 (La plus récente édition*), ou les normes C22.1-94, Code canadien de l'électricité, Partie 1 et C22.2 O-M91 (La plus récente édition**) de la CSA, ainsi que tous les codes et les ordonnances de votre région.
- Il faut prévoir un connecteur de canalisation approuvé par l'UL ou la CSA à chaque extrémité de la canalisation d'alimentation (À la hotte et à la boîte de jonction).

Vous pouvez obtenir un exemplaire des normes indiquées en vous adressant à :
 * La National Fire Protection Association, Batterymarch Park Quincy, Massachusetts, 02269
 ** La CSA International, 8501 East Pleasant Valley Road, Cleveland, Ohio, 44131-5575

AVANT D'INSTALLER LA HOTTE

- 1 Pour assurer la ventilation la plus efficace possible, installez la conduite en ligne droite ou avec le moins de coudes possibles.
ATTENTION : La sortie de la conduite de ventilation doit donner sur l'extérieur.
- 2 Deux personnes sont nécessaires pour effectuer l'installation.
- 3 La quincaillerie fournie permet de fixer la hotte à la plupart des murs et des plafonds; consultez un installateur qualifié pour vous assurer que la quincaillerie fournie est adaptée à votre type de mur ou d'armoire.
- 4 N'utilisez pas de conduit flexible.
- 5 Dans le cas des endroits sujets aux TEMPÉRATURES FROIDES, il faut installer un clapet de contre-tirage supplémentaire afin de minimiser le retour d'air froid et un isolant thermique non métallique afin de minimiser la conduction de la température extérieur dans le conduit. Il faut placer le clapet du côté de l'air froid de l'isolant thermique.
L'isolant doit être placé le plus près possible de l'endroit où le conduit entre dans la partie chauffée de la maison.
- 6 Air d'appoint : Le code du bâtiment de votre région peut exiger l'utilisation d'un système d'air d'appoint si vous utilisez un système de ventilation à conduit dont le mouvement d'air dépasse un certain nombre de CFM. Le nombre de pi³/min varie d'une région à l'autre. Consultez un professionnel de CVC pour connaître les exigences précises de votre région.

DIMENSIONS DU PRODUIT



	Modèles	
	EAL330S1	EAL336S1
A	30" (76.2 cm)	36" (91.4 cm)
B	20" (50.8 cm)	
C	4 $\frac{7}{16}$ " (12 cm)	
D	2 $\frac{5}{8}$ " (5.7 cm)	
E	3 $\frac{3}{4}$ " x 10" (8.3 x 25.4 cm)	
F	5 $\frac{1}{8}$ " (13 cm)	

LISTE DES PIÈCES

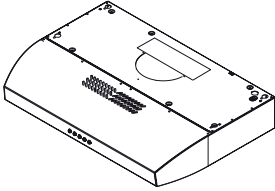



Retirer les pièces de leur emballage.

⚠ ATTENTION

Enlever délicatement le carton, porter des gants pour se protéger des bords coupants.

⚠ AVERTISSEMENT

Enlever le film de protection recouvrant le produit avant de commencer l'opération.

Pièces Fournies	Quantité	Pièces Fournies	Quantité
 <p>Assemblage hotte avec lampes DEL</p>	1	 <p>4.5x13 mm</p>	4
 <p>Module connecteur de conduit rectangulaire de 3¼" x 10" (8.3 x 25.4 cm)</p>	1	 <p>3.5x6.5 mm</p>	1

Pièces non fournies

Outils nécessaires

- Perceuse
- Foret de 1¼" (3.0 cm)
- Foret de ⅛" (3.0 mm) pour avant-trous
- Crayon
- Pince à dénuder ou couteau utilitaire
- Ruban à mesurer ou règle
- Pistolet à calfeutrage et composé de calfeutrage résistant aux intempéries
- Tournevis à lame plate
- Tournevis Philips
- Scie sauteuse ou scie à guichet
- Cisaille de ferblantier

Accessoires optionnel

KIT	# Pièce	
	30" (76.2 cm)	36" (91.4 cm)
Kit de recyclage	KIT02178	KIT02179
Kit de connecteur de conduit rond de 7" (17.8 cm)	KIT02723	
Kit Upgrade Filtres	KIT02591	KIT02592

Méthodes d'évacuation

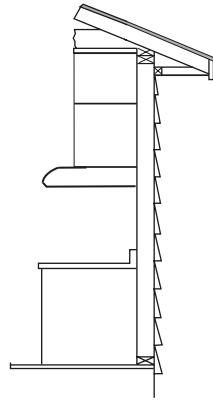
Suivez à la lettre les directives présentées dans ce manuel.

Le fabricant refuse toute responsabilité en ce qui a trait à tout préjudice, dommage ou incendie causé par la non observation des directives contenues dans le présent manuel.

Version sans conduit (Recyclage)

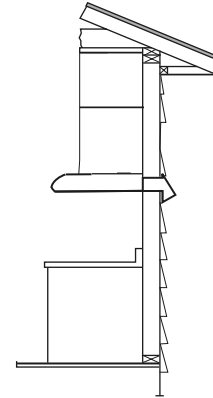
REMARQUE:

Dans le cas de la version sans conduit (À recyclage) seulement : procurez-vous la trousse de conversion en hotte à recyclage.



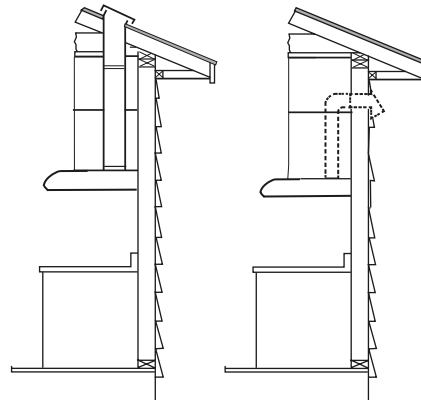
Évacuation horizontale

Utiliser un conduit rectangulaire de 3¼" x 10" (8.3 x 25.4 cm)



Évacuation verticale

Utiliser un conduit rectangulaire de 3¼" x 10" (8.3 x 25.4 cm) ou utiliser un conduit circulaire de 7" (17.8 cm)



Préparation

Ne coupez pas une solive ou un montant à moins qu'il soit absolument nécessaire de le faire. Si vous devez couper une solive ou un montant, vous devez construire un cadre de soutien. La quincaillerie fournie permet de fixer la hotte à la plupart des murs et des plafonds.

Vous devez cependant demander à un technicien qualifié de vérifier la solidité des matériaux selon le type de mur ou de plafond.

Avant de couper, assurez-vous qu'il y a un dégagement suffisant dans le plafond ou le mur pour passer la conduite de sortie.

⚠ ATTENTION

Pour l'installation des cuisiniers à gaz: Installer cette hotte de sorte que le rebord inférieur est à 30" (76.2 cm) au-dessus de la surface de cuisson.

Pour l'installation des cuisiniers électriques / induction: Installer cette hotte de sorte que le rebord inférieur est pas moins de 24" (61 cm) sur la surface de cuisson.

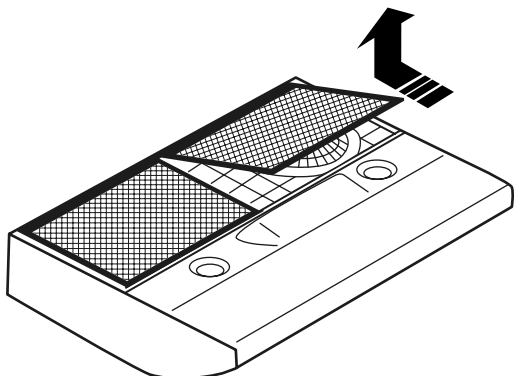
Il est recommandé d'installer cette hotte plus de 36" (91.4 cm) au-dessus de la surface de cuisson. Par pouce (2,54 cm) supérieure à 36 (91.4 cm) diminuera l'efficacité de la capture de la fumée et de l'humidité, et la performance de ventilation.

S'IL VOUS PLAÎT LIRE L'INSTALLATION POUR UNE INSTALLATION SPÉCIFIQUE. Avant de choisir la hotte, vérifiez la hauteur du plafond et la hauteur maximale de la hotte.

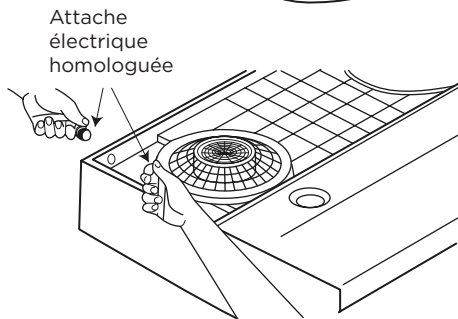
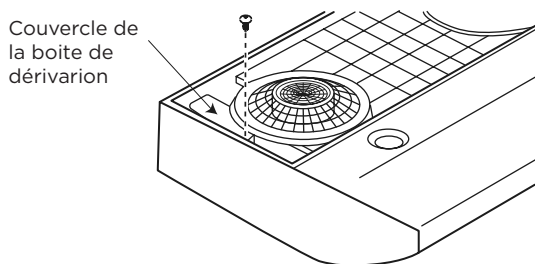
Installation- Version à conduit

Après avoir choisi le type d'évacuation, procéder comme suit:

- 1 Enlever les filtres à graisse.



- 2 Enlever le couvercle de la boîte de dérivation. Enlever la partie supérieure ou arrière prédécoupée suivant votre préférence et installer une attache électrique homologuée.



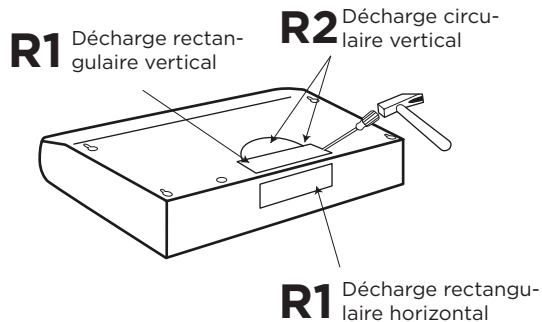
- 3 Enlever les parties prédécoupées pour les conduits en utilisant un fin tournevis et un petit marteau. Utiliser le tournevis à la façon d'un biseau. Faire attention aux parties blessants.

⚠ ATTENTION

En cas d'utilisation de la hotte avec recyclage d'air, ne pas enlever les parties prédécoupées pour les conduits et commander les filtres à charbon nécessaires chez votre revendeur.

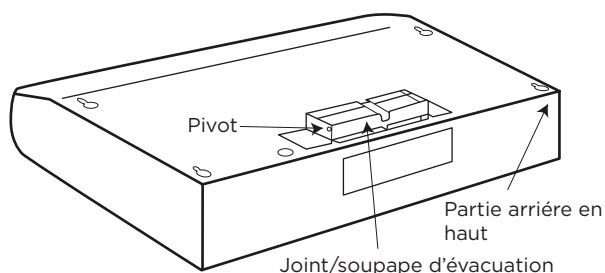
R1 = Enlever uniquement les parties prédécoupées pour les conduits rectangulaires.

R2 = Enlever les parties prédécoupées pour les conduits circulaires et rectangulaires.

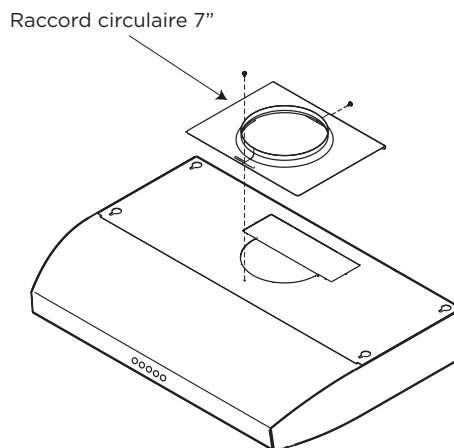


- 4 Pour les évacuations avec conduits rectangulaires uniquement (autrement, passer à l'étape suivante) Attacher le joint ou la soupape d'évacuation sur l'ouverture prédéformée à l'aide des deux vis prévues à cet effet. S'assurer que les éléments soient le plus proche possible de la partie arrière en haut de votre hotte. Enlever la protection du clapet.

REMARQUE: Le joint/soupape d'évacuation peut être installé jusqu'à 2,5 cm (1 inch) de part et d'autre du centre de la hotte pour permettre le décentrage des conduits. Dans le cas de systèmes d'évacuation très décentrés, la partie terminale du conduit d'évacuation peut être modifiée pour dégager l'attache du fil électrique.



- 5 Pour les évacuations avec conduits circulaires installer le raccord circulaire des conduits d'évacuation à l'aide des vis.
- REMARQUE:** Le raccord circulaire peut être installé jusqu'à 2,5 cm (1 pouce) de part et d'autre du centre de la hotte pour permettre le décentrage des conduits. Dans le cas de systèmes d'évacuation très décentrés, la partie terminale du conduit d'évacuation peut être modifiée pour dégager l'attache du fil électrique.



Emplacement des trous

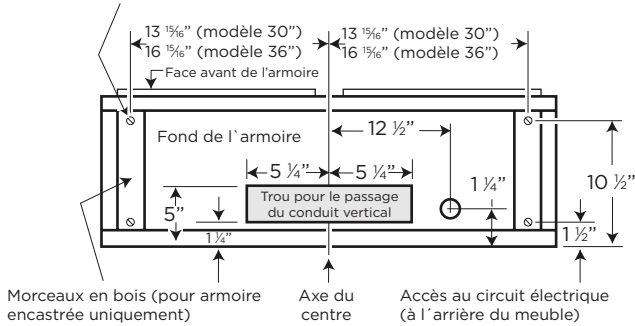
Sélectionner le type d'évacuation choisi pour votre hotte et procéder:

Évacuation extérieure par le dessus de la hotte

(Conduit vertical rectangulaire de 3/4" x 10")

Utiliser le schéma ou la hotte comme patron et indiquer sur l'armoire l'emplacement des conduits, des fils électriques et les fentes réglables pour les vis.

Vis de fixation (4)

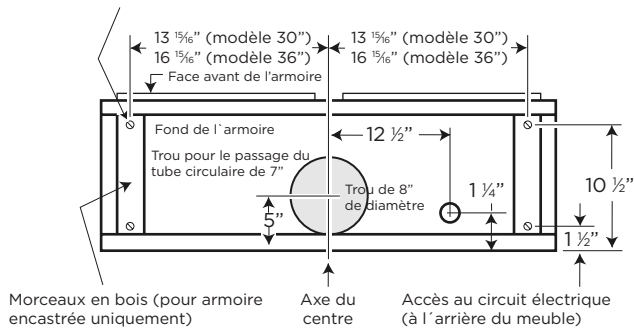


Évacuation extérieure par le dessus de la hotte

(Conduit vertical circulaire de 7")

Utiliser le schéma ou la hotte comme patron et indiquer sur l'armoire l'emplacement des conduits, des fils électriques et les fentes réglables pour les vis.

Vis de fixation (4)

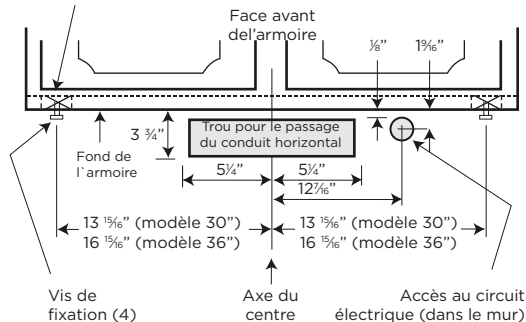


Évacuation extérieure par le dessus de la hotte

(Conduit vertical circulaire de 7")

Utiliser le schéma ou la hotte comme patron et indiquer sur l'armoire l'emplacement des conduits, des fils électriques et les fentes réglables pour les vis.

Morceaux en bois (pour armoire encastrée uniquement)



Installation- Recyclage d'air

Utiliser le schéma ou la hotte comme patron et indiquer sur l'armoire l'emplacement des fils électriques et les fentes réglables pour les vis.

Puisque la hotte va recycler l'air (il n'y a pas d'évacuation vers l'extérieur), ne pas prévoir d'ouverture dans le mur ou l'armoire pour le passage des conduits.

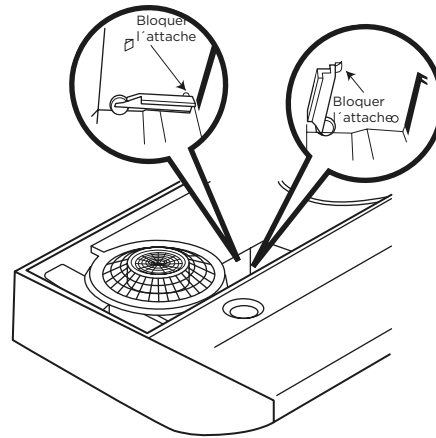
Sélectionner le type d'évacuation choisie pour votre hotte

1 La hotte peut être installée pour évacuer l'air à l'extérieur ou pour recycler l'air dans la cuisine. Le levier de ventilation en plastique est situé près du centre de l'ouverture de la hotte. Pour évacuer vers l'extérieur, s'assurer que le levier de ventilation en plastique est en position HORIZONTALE (à plat contre la partie supérieure métallique de la hotte). Pour recycler l'air dans la cuisine, s'assurer que le levier de ventilation en plastique est en position VERTICALE (à plat contre la protection en plastique de la soufflerie).

REMARQUE: Pour changer la position du levier de ventilation, il est nécessaire de pousser légèrement le levier pour dégager les parties en plastique.

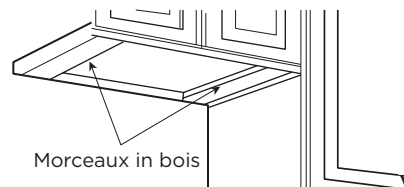
Pour programmer l'évacuation extérieure

Pour programmer le recyclage d'air



For recessed bottom cabinet only

1 Si les armoires ont une garniture à l'avant, sur le côté ou à l'arrière, réaliser 2 morceaux de bois de la largeur des garnitures et les attacher à l'armoire encastrée sur les 2 côtés. Pour les emplacements des marques, se référer aux indications à la page précédente.



- 2 Réaliser les trous pour les conduits et les fils électriques aux emplacements indiqués. Pour le conduit vertical, agrandir le trou de 3/4" vers le devant de l'armoire pour pouvoir bouger le conduit plus librement lors de la mise en place de la hotte. L'installation sera également plus facile si le trou fait 10 1/2" au lieu de 10".
- 3 Serrer une vis de fixation (se trouvant dans le kit de montage) dans chaque petite ouverture des crochets marqués sur le fond de l'armoire.
- 4 Raccorder le tube électrique à la hotte.
- 5 Replacer la hotte contre le mur. Serrer les vis de fixation. S'assurer que la tête des vis est bien dans la partie plus étroite des fentes des crochets. Raccorder les conduits à la hotte.

Connexion électrique

⚠ AVERTISSEMENT

RISQUE DE CHOC ÉLECTRIQUE.

⚠ AVERTISSEMENT

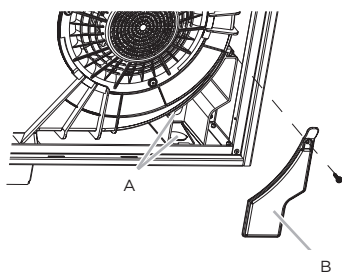
ÉTEIGNEZ CIRCUIT D'ALIMENTATION AU NIVEAU DU PANNEAU DE SERVICE AVANT DE RACCORDER CET APPAREIL. EXIGENCE 120 V C.A., CIRCUIT DE DÉRIVATION DE 15 V C.A., 20 HZ, DE 15 OU 20 A.

INSTRUCTIONS DE MISE À LA TERRE

INSTRUCTIONS DE MISE À LA TERRE CET APPAREIL EST MUNI D'UNE BOÎTE DE JONCTION ÉLECTRIQUE À TROIS FILS, DONT L'UN (VERT/JAUNE) SERT À METTRE L'APPAREIL À LA TERRE. POUR VOUS PROTÉGER CONTRE LES CHOCS ÉLECTRIQUES, VOUS DEVEZ RACCORDER LE FIL VERT/JAUNE AU FIL DE MISE À LA TERRE DU SYSTÈME ÉLECTRIQUE DE VOTRE MAISON. EN AUCUNE CIRCONSTANCE CE FIL DOIT ÊTRE COUPÉ OU ENLEVÉ.

Le fait de ne pas respecter cette directive peut entraîner la mort ou un choc électrique.

- Retirez l'alvéole défonçable et le couvercle de la boîte de jonction et installez un connecteur de canalisation (Listé dans cULus) dans la boîte de jonction.



A. Opercule arrachable
B. Couvercle du boîtier

- Passez trois fils, le noir, le blanc et le vert, en respectant les normes du code national de l'électricité, ainsi que les codes et les ordonnances en vigueur dans votre région, dans une canalisation de 1/2 po, du panneau de service à la boîte de jonction.
- Raccordez le fil noir du panneau de service au fil noir ou rouge de la boîte jonction, le blanc avec le blanc et le vert avec le vert/jaune.
- Fermez le couvercle de la boîte de jonction.

Achever l'installation

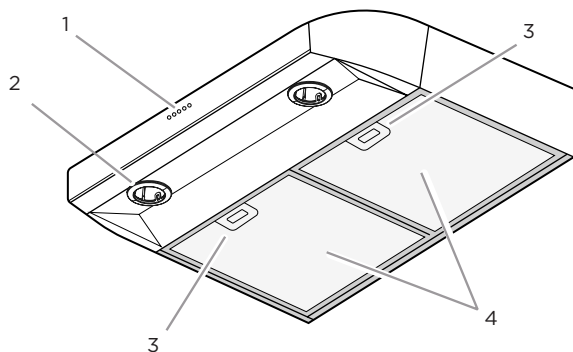
Replacer les filtres.
Vérifier que la hotte fonctionne.

Si la hotte ne fonctionne pas:

- Vérifiez que le disjoncteur ne s'est pas déclenché ou que le fusible n'est pas grillé.
- Débranchez l'alimentation. Vérifiez que les raccords électriques ont été effectués correctement.

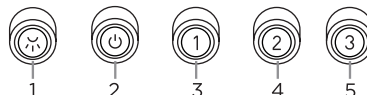
Pour utiliser votre nouvelle hotte de façon optimale, lisez la section intitulée "Entretien".
Gardez vos instructions d'installations et d'utilisation près de la hotte pour pouvoir vous y référer facilement.

Description de la hotte



- Boutons de commande du ventilateur et des lampes
- DEL lampes
- Poignée pour le filtre
- Filtre à graisse

Commandes



- Bouton On/Off (marche/arrêt) de l'éclairage
- Bouton On/Off (marche/arrêt) du ventilateur
- Bouton de vitesse minimale du ventilateur
- Bouton de vitesse moyenne du ventilateur
- Bouton de vitesse maximale du ventilateur

REMARQUE: Les boutons de commandes s'allument lorsque la hotte est en marche.

Utilisation de la lampe

Le bouton On/Off (marche/arrêt) de l'éclairage (1) commande le fonctionnement des deux lampes. Appuyer une fois pour On (marche) et une deuxième fois pour Off (arrêt).

Utilisation du ventilateur

Le bouton On/Off (marche/arrêt) du ventilateur (2) met en marche ou éteint le ventilateur. Les boutons de vitesse du ventilateur (3, 4 et 5) règlent la vitesse souhaitée et contrôlent le niveau sonore pour un fonctionnement silencieux. On peut modifier la vitesse à tout moment pendant le fonctionnement du ventilateur en appuyant sur le bouton de vitesse du ventilateur souhaité.

- Pour mettre le ventilateur en marche, appuyer sur le bouton de marche/arrêt du ventilateur (2) et sur le bouton de vitesse souhaité (3, 4 ou 5).
- Pour éteindre le ventilateur, appuyer sur le bouton de marche/arrêt (2).

N'importe lequel des 3 boutons de vitesse du ventilateur peut être placé à la position On (marche) de façon simultanée. Le ventilateur fonctionne au bouton de vitesse la plus élevée qui a été enfoncé. Pour obtenir une vitesse de ventilateur inférieure, les boutons de vitesse supérieure ne doivent pas être enfoncés.

Entretien

Cleaning

Ne pas vaporiser de nettoyants directement sur le panneau de contrôle lors du nettoyage de la Hotte.

La hotte doit être régulièrement nettoyée à l'intérieur et à l'extérieur (au moins à la même fréquence que pour l'entretien des filtres à graisse). Pour le nettoyage, utiliser un chiffon humidifié avec un détergent liquide neutre. Ne pas utiliser de produit contenant des abrasifs.

NE PAS UTILISER D'ALCOOL!

⚠ ATTENTION:

Il y a risque d'incendie si vous ne respectez pas les instructions concernant le nettoyage de l'appareil et le remplacement ou le nettoyage du filtre.

La responsabilité du constructeur ne peut en aucun cas être engagée dans le cas d'un endommagement du moteur ou d'incendie liés à un entretien négligé ou au non respect des consignes de sécurité précédemment mentionnées.

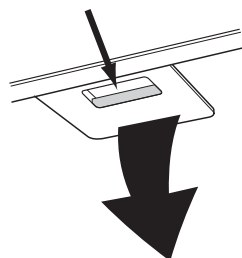
Filtre à graisse

Il retient les particules de graisse issues de la cuisson.

Le filtre doit être nettoyé une fois par mois avec des détergents non agressifs, à la main ou dans le lave-vaisselle à faibles températures et cycle rapide.

Le lavage du filtre anti-graisse métallique au lave-vaisselle peut en provoquer la décoloration. Toutefois, les caractéristiques de filtrage ne seront en aucun cas modifiées.

Pour démonter le filtre anti-graisse, tirer la poignée de décrochement à ressort.



Remplacement de la lampe à DEL

Les lumières DEL sont remplaçables par un technicien de service seulement. Voir les informations de contact de service: "Qui contacter".

Filtres à charbon

Si le système n'a pas d'évacuation vers l'extérieur, l'air va circuler à travers des filtres à charbon jetables qui vont aider à éliminer fumée et odeurs.

Les filtres à charbon ne doivent pas être nettoyés.

Ils doivent être remplacés.

Les filtres à charbon sont fixés à l'intérieur de chaque filtre anti-graisse (les instructions de montage sont incluses dans le kit de filtre à charbon).

Les filtres à charbon doivent être remplacés après 4 à 6 mois en fonction de l'utilisation de la hotte.

REMARQUE: NE PAS rincer, ou mettre les filtres à charbon au lave-vaisselle.

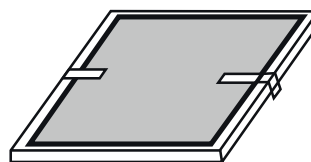
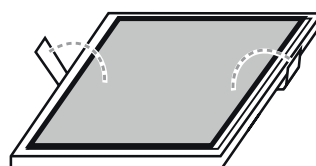
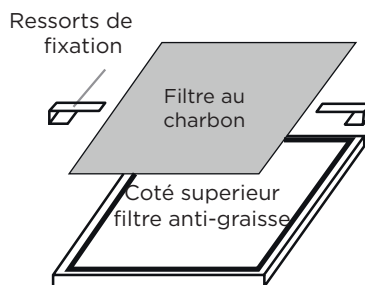
REMARQUE: Les filtres à charbon NE sont PAS inclus dans la hotte. Ils doivent être commandés chez votre revendeur. Commander le kit nécessaire en spécifiant votre modèle de hotte et sa largeur.

Placement du filtre au charbon (Accessoires de recyclage d'air)

Placer le matelas du filtre au charbon sur le côté supérieur de chaque filtre anti-graisse.

Utiliser les ressorts fournis pour le fixer en place.

REMARQUE:Lorsque vous le retirerez pour le remplacer par un autre, n'enlever pas les ressorts de fixation, poussez-les simplement et faites-les tourner vers l'extérieur.



POUR OBTENIR UN DEPANNAGE SOUS GARANTIE

Le propriétaire doit présenter une preuve de la date d'achat. Garder une copie de votre preuve d'achat datée (ticket de caisse) de façon à pouvoir bénéficier du service après-vente sous garantie.

GARANTIE PIÈCES DE RECHANGE ET MAIN D'OEUVRE

Pendant une période de deux (2) ans à partir de la date d'achat, Elica s'engage à fournir gratuitement les pièces de rechange ou les composants autres que les recharges ayant des défauts de fabrication.

Durant cette garantie de deux (2) ans, Elica fournira également gratuitement, toute la main d'oeuvre et le service à domicile pour remplacer d'éventuelles pièces défectueuses.

CE QUE LA GARANTIE NE COUVRE PAS

- Dégât ou panne du produit causé par un accident ou un cas de force majeure tels que inondation, incendie ou tremblement de terre.
- Dégât ou panne du produit causé par modification du produit ou utilisation de pièces pas d'origine.
- Dégât ou panne du produit causé lors de la livraison, de la manipulation ou de l'installation.
- Dégât ou panne du produit causé par une mauvaise utilisation.
- Dégât ou panne du produit causé par un remplacement des fusibles ou une remise en fonction des disjoncteurs par le propriétaire.
- Dégât ou panne du produit causé par une utilisation du produit pour raison commerciale.
- Déplacement à domicile pour explication d'utilisation ou d'entretien.
- Ampoules, filtres métalliques ou au charbon et toute autre pièce consommable.
- Usure normale.
- Usure due à une mauvaise utilisation du propriétaire, un entretien incorrect, une utilisation de substances nettoyantes corrosives ou abrasives et produits de nettoyage pour four.

QUI EST COUVERT

Cette garantie s'étend à l'acheteur original de produits achetés pour un usage domestique habituel en Amérique du Nord (Y compris Etats Unis, Guam, Porto Rico, les Iles virgins Américaines & le Canada).

Cette garantie n'est pas transférable et vaut uniquement pour l'acheteur original et ne s'étend pas aux propriétaires successifs du produit. Cette garantie vaut expressément en lieu et place de toute autre garantie, expresse ou sous-entendue, mais ne limite pas toute autre garantie sous-entendue de marchandage ou adaptation dans un but particulier et toute autre obligation de la part de Elica North America, étant entendu, cependant, que si la réclamation pour garanties sous-entendues n'est pas applicable aux yeux de la loi en vigueur, la durée de toute garantie sous-entendue émanant de la loi doit être limitée à deux (2) ans à partir de la date d'achat du produit ou à une période plus longue selon ce que dit la loi en vigueur.

Cette garantie ne couvre pas tout dégât particulier, accidentel et/ou consécutif, ni les pertes et profits, à charge du propriétaire, des ses clients et/ou des utilisateurs Des produits.

QUI CONTACTER

Pour obtenir un Service Après-vente durant la Garantie ou pour toute autre Question liée au Service Après-vente:

Appeler:

- Service Après-vente autorisé Elica North America au (888) 732-8018
- Pour l'Est du Canada, composez le 1-888 651 2534 *Demandez le service après-vente*

Contenido

Aviso de seguridad importante 23

 Requisitos eléctricos y de instalación 24

 Antes de instalar la campana 24

Dimensiones del producto 24

Lista de materiales 25

 Piezas suministradas 25

 Piezas no suministradas 25

Métodos de ventilación 26

Instalación 27

 Conexión eléctrica 29

 Complete la instalación 29

Descripción de la campana 29

Control 29

Mantenimiento 30

Garantía 31

**APROBADO PARA APARATOS DE USO DOMÉSTICO
SÓLO PARA USO DOMÉSTICO
LEA Y GUARDE ESTAS INSTRUCCIONES**

**ANTES DE CONTINUAR, LEA LAS INSTRUCCIONES POR COMPLETO.
LA INSTALACIÓN DEBE CUMPLIR TODA LA NORMATIVA LOCAL.**

IMPORTANTE: Guarde estas instrucciones para su uso por parte del inspector de electricidad local.

INSTALADOR: Entregue al propietario estas instrucciones junto con la unidad.

PROPIETARIO: Conserve estas instrucciones para futuras consultas.

Advertencia de seguridad: Antes de realizar el cableado de este aparato, desactive el circuito de energía eléctrica en el panel de servicio y desbloquee el panel.

Requisito: Circuito auxiliar de 120 V AC, 60 Hz. 15 ó 20 A.

⚠ AVISO DE SEGURIDAD IMPORTANTE

⚠ PRECAUCIÓN

SÓLO PARA USO DE VENTILACIÓN GENERAL. NO UTILIZAR PARA EXPULSAR VAPORES O MATERIALES PELIGROSOS O EXPLOSIVOS.

⚠ ADVERTENCIA

PARA REDUCIR EL RIESGO DE FUEGO, DESCARGA ELÉCTRICA O LESIONES PERSONALES, RESPETE LO SIGUIENTE:

- A. Utilice esta unidad solamente en el modo que indica el fabricante. En caso de duda, póngase en contacto con el fabricante.
- B. Antes de reparar o limpiar la unidad, desconecte la alimentación en el panel de servicio y bloquee los medios de desconexión del panel de servicio para evitar la conexión accidental de la alimentación. Si no es posible bloquear los medios de desconexión del panel de servicio, coloque un dispositivo de advertencia que destaque como, por ejemplo, una etiqueta, en el panel de servicio.
- C. La instalación y el cableado eléctrico deben realizarlos personas cualificadas de acuerdo con las normativas y los estándares aplicables, incluida la construcción ignífuga.
- D. Es necesaria una ventilación suficiente para la correcta combustión y expulsión de gases por la salida de humos (Chimenea) del equipo de combustión de carburante para evitar el contratiro. Siga las directrices de fabricantes de equipos de calefacción y los estándares de seguridad como los publicados por la National Fire Protection Association (NFPA), American Society for Heating, Refrigeration and Air Conditioning Engineers (ASHRAE) y las normativas locales.
- E. Al efectuar orificios en una pared o techo, no dañe el cableado eléctrico y otras instalaciones ocultas.
- F. Los sistemas instalados mediante conducto deben tener ventilación con salida al exterior.

⚠ PRECAUCIÓN

Para reducir el riesgo de fuego y conseguir una salida del aire correcta, asegúrese de conducir el aire hacia el exterior. No permita que el aire se expulse en espacios situados en el interior de muros, techos, desvanes, sótanos de pequeña altura o garajes.

⚠ ADVERTENCIA

PARA REDUCIR EL RIESGO DE FUEGO, UTILICE SOLAMENTE TUBOS METÁLICOS. Instale esta campana de acuerdo con los requisitos especificados.

⚠ ADVERTENCIA

Para reducir el riesgo de fuego o descarga eléctrica, no utilice esta campana con ningún dispositivo externo en estado sólido para el control de la velocidad.

⚠ ADVERTENCIA

PARA REDUCIR EL RIESGO DE INCENDIO OCASIONADO POR GRASA:

- a) No deje nunca ninguna unidad externa desatendida y con valores de fuego altos. La cocción puede causar humo o reboses de grasa que pueden prender fuego. Caliente el aceite a fuego lento o medio.
- b) Encienda siempre la campana cuando cocine a una temperatura alta o cuando realice flameados (por ejemplo, Crepas Suzette, cerezas flameadas, ternera a la pimienta flameada).
- c) Limpie con frecuencia los ventiladores. No permita que la grasa se acumule en el ventilador o filtro.
- d) Utilice un tamaño de sartén adecuado. Utilice siempre piezas de batería de cocina adecuadas al tamaño del elemento de superficie.

⚠ ADVERTENCIA

PARA REDUCIR EL RIESGO DE LESIONES PERSONALES, EN CASO DE FUEGO OCASIONADO POR GRASA, TENGA EN CUENTA LO SIGUIENTE:^a

- a) EXTINGA LAS LLAMAS con una tapa ajustada, una lámina para hacer galletas u otro tipo de bandeja metálica y apague el quemador de gas o elemento eléctrico. TENGA CUIDADO PARA EVITAR QUEMADURAS. Si las llamas no se extinguen inmediatamente, DESALOJE EL LUGAR Y LLAME A LOS BOMBEROS.
- b) NUNCA TOME UNA SARTÉN EN LLAMAS, podría sufrir quemaduras.
- c) NO UTILICE AGUA, incluidas bayetas o toallas húmedas ya que se produciría una violenta explosión de vapor.
- d) Utilice un extintor SÓLO si:
 - 1) Sabe que dispone de un extintor de la clase ABC y conoce su funcionamiento.
 - 2) El fuego es pequeño y se encuentra en la misma zona donde se inició.
 - 3) Ha llamado a los bomberos.
 - 4) Puede luchar contra el fuego teniendo una salida a su espalda.

^aBasado en "Consejos de seguridad para fuegos se cocina" publicado por NFPA.

NOTA: Este aparato no está diseñado para ser utilizado por personas (incluidos niños) con capacidades físicas, sensoriales o mentales reducidas, o con falta de experiencia y conocimientos, a menos que hayan recibido supervisión o instrucciones sobre el uso del aparato por parte de una persona responsable de su seguridad.

NOTA: Los niños deben ser supervisados para asegurarse de que no juegan con el aparato.

FUNCIONAMIENTO

Coloque siempre las rejillas y los filtros de seguridad en su lugar correspondiente. Sin estos componentes, los ventiladores en funcionamiento podrían atrapar su pelo, sus dedos o su ropa.

El fabricante declina toda responsabilidad en caso de fallo de cumplimiento de las instrucciones aquí facilitadas para la instalación, el mantenimiento y el uso adecuado del producto. El fabricante declina además toda responsabilidad por daños ocasionados por negligencia y la garantía de la unidad queda cancelada automáticamente como consecuencia de un mantenimiento incorrecto.

⚠ PRECAUCIÓN

Equipo operado automáticamente - para reducir el riesgo de lastimarse desconecte de la línea antes de dar servicio.

Si está provista de enchufe eléctrico, conecte la campana a una toma de corriente que cumpla con la normativa vigente y colocada en una posición accesible. Cuando no se disponga de enchufe eléctrico (conexión directa a la red eléctrica) o el enchufe no vaya a estar en una posición accesible después de la instalación, coloque un interruptor bipolar homologado en una posición accesible que proporcione una desconexión total en condiciones de sobretensión de categoría III, de acuerdo con las normas locales de cableado.

REQUISITOS ELÉCTRICOS Y DE INSTALACIÓN

IMPORTANTE

Cumpla todas las normativas y ordenanzas gubernamentales. Es responsabilidad del cliente:

- Ponerse en contacto con un instalador eléctrico cualificado.
- Asegurarse de que la instalación eléctrica es adecuada y en conformidad con National Electrical Code, ANSI/NFPA 70 (última edición*) o CSA Standards C22.1-94, Canadian Electrical Code, Parte 1 y C22.2 No.0-M91 (última edición*) y toda la normativa y las ordenanzas locales.
- Si la normativa lo permite y se utiliza un cable de toma a tierra independiente, se recomienda que un electricista cualificado determine si la difracción de onda de tierra es la adecuada.
- No ubique la toma a tierra en una tubería de gas.
- Si no está seguro de que la campana está correctamente conectada a tierra, consulte a un electricista cualificado.
- No coloque ningún fusible en el circuito neutral o con vuelta por tierra.

IMPORTANTE

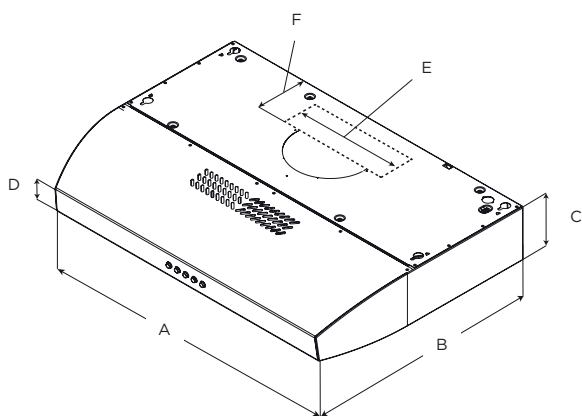
- Guarde las instrucciones de instalación para su uso por parte del inspector de electricidad.
- La campana debe estar conectada únicamente con hilo de cobre.
- La campana debe estar conectada directamente al desconectador con fusible (o disyuntor) mediante canal metálico de cables eléctricos.
- Los tamaños de cable deben cumplir los requisitos de la National Electrical Code, ANSI/NFPA 70 (última edición*) o CSA Standards C22.1-94, Canadian Electrical Code, Parte 1 y C22.2 No.0-M91 (última edición*) y toda la normativa y las ordenanzas locales.
- Es preciso colocar un conector de canal de cables enumerado en U.L. o C.S.A. en cada extremo del canal de cables de fuente de alimentación (en la campana y en la caja de conexiones).

Se pueden obtener copias de los estándares enumerados en:
 * National Fire Protection Association Batterymarch Park Quincy, Massachusetts 02269
 ** CSA International 8501 East Pleasant Valley Road Cleveland, Ohio 44131-5575

ANTES DE INSTALAR LA CAMPANA

- 1 Para obtener una circulación del flujo de aire más eficaz, utilice un tubo de tramo recto o el menor número posible de tubos acodados.
PRECAUCIÓN: el conducto de ventilación solamente debe tener salida hacia la parte exterior del edificio.
- 2 Para realizar la instalación, se necesitan al menos dos personas.
- 3 La campana se ajusta mediante material adecuados para la mayoría de superficies; consulte a un instalador cualificado para comprobar si quedan perfectamente ajustados al armario o a la pared.
 No emplee tubos flexibles.
- 4 Las instalaciones en CONDICIONES CLIMÁTICAS FRÍAS deben tener instalado un regulador de contratiro adicional para minimizar el flujo de aire inverso y una rotura térmica no metálica para minimizar la conducción de temperaturas externas como parte de los tubos. El regulador debe encontrarse en la parte de aire frío de la rotura térmica. La rotura debe estar lo más cerca posible al lugar donde los tubos entran en la parte caliente de la casa.
- 5 Aire limpio: Las normativas locales para edificios pueden requerir el uso de sistemas de aire limpio cuando se utilizan sistemas de ventilación mediante tubos superiores al CFM especificado de movimiento de aire.
- 6 El CFM especificado varía de una zona a otra. Para conocer los requisitos específicos de su zona, consulte a un profesional de HVAC.

DIMENSIONES DEL PRODUCTO



	Modelos	
	EAL330S1	EAL336S1
A	30" (76.2 cm)	36" (91.4 cm)
B	20" (50.8 cm)	
C	4 ⁷ / ₁₆ " (12 cm)	
D	2 ³ / ₁₆ " (5.7 cm)	
E	3 ¹ / ₄ " x 10" (8.3 x 25.4 cm)	
F	5 ¹ / ₁₆ " (13 cm)	

LISTA DE MATERIALES

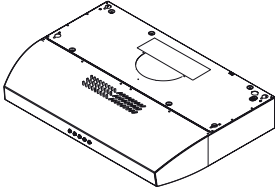



Remoción de la confección

⚠ PRECAUCIÓN

Quite la caja cuidadosamente, use guantes para protegerse contra los bordes afilados.

⚠ ADVERTENCIA

Quite la película de protección que cubre el producto antes de ponerlo en funcionamiento.

Partes Suministradas	Piezas	Partes Suministradas	Piezas
 Ensamble de la campana	1	 4.5x13 mm	4
 Transición rectangular de 3¼" x 10" (8.3 x 25.4 cm)	1	 3.5x6.5 mm	1

Piezas no suministradas

Herramientas necesarias

- Taladro
- Broca 1¼" (3.0 cm)
- Broca para orificios piloto 1/8" (3.0 mm)
- Lápiz
- Pinzas para cortar y pelar cable
- Cinta métrica, regla o flexómetro
- Pistola selladora y resanador a prueba de agua
- Destornillador plano
- Destornillador Phillips
- Caladora o sierra
- Tijeras para corte de metal

Accesorios opcionales

KIT	# Parte	
	30" (76.2 cm)	36" (91.4 cm)
Kit Recirculante	KIT02178	KIT02179
Kit de transición redonda 7"	KIT02723	
Kit de Mejora de filtros	KIT02591	KIT02592

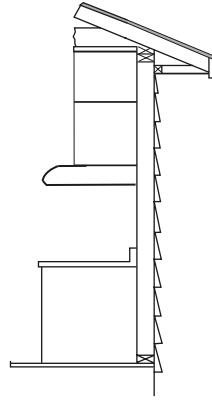
Métodos de ventilación

Siga detenidamente las instrucciones expuestas en este manual.
Se declina toda responsabilidad de cualquier inconveniencia, daños o incendios eventuales ocasionados por el incumplimiento de las instrucciones de este manual.

Recirculación (sin conducto de descarga)

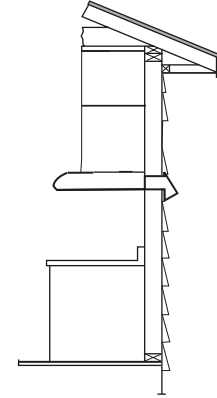
NOTA:

Sólo para versión sin tubos (Recirculante): adquiera el kit de conversión sin tubos.



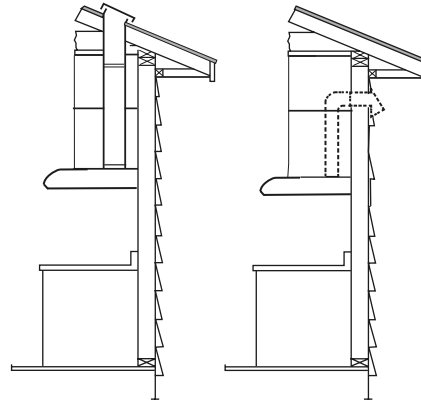
Descarga horizontal

Usar un conducto rectangular de 3¼" x 10".



Descarga vertical

Usar un conducto rectangular de 3¼" x 10" o un ducto redondo de 7" (17.8 cm).



Preparación

No corte una vigueta o un perno a menos que sea absolutamente necesario. Si fuera necesario efectuar el corte, deberá construirse un marco de soporte.

Se suministra el material de ajuste necesario para fijar la campana a la mayoría de tipos de muro o techo.

No obstante, un técnico cualificado debe comprobar la idoneidad de los materiales de acuerdo con el tipo de muro o techo.

Antes de efectuar algún corte, asegúrese de que existe el espacio libre adecuado en el techo o muro para la expulsión del aire.

⚠ PRECAUCIÓN

Para la instalación de estufas de gas: instale esta campana de tal manera que la cornisa inferior se encuentre a 30" (76.2 cm) sobre la superficie de cocción.

Para la instalación de estufas eléctricas/inducción: instale esta campana de tal manera que la cornisa inferior se encuentre a no menos de 24" (61 cm) sobre la superficie de cocción.

No hay una altura máxima de instalación, sin embargo, se recomienda no instalar esta campana a más de 36" (91.4 cm) sobre la superficie de cocción. Por cada pulgada (2.54 cm) superior a 36" (91.4 cm), disminuirá la eficiencia en la captura de humo y humedad, así como el desempeño de ventilación.

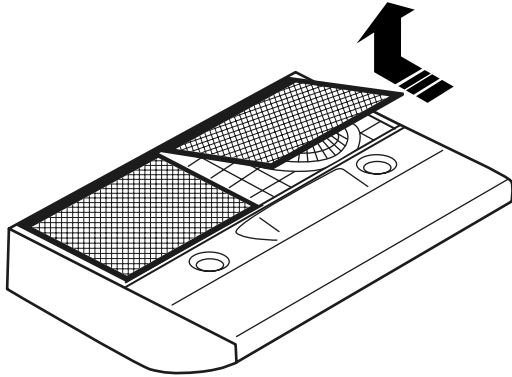
Para uso electrodoméstico.

POR FAVOR, LEA EL MANUAL DE INSTALACIÓN PARA UNA INSTALACIÓN ESPECÍFICA. Antes de seleccionar la campana, compruebe la altura del techo y la altura máxima de la campana.

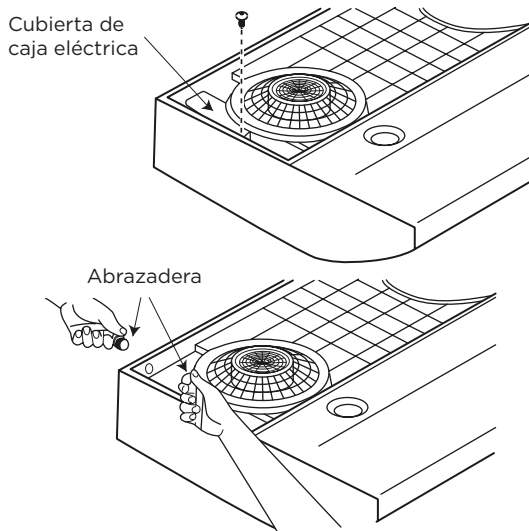
Instalación- Version con ductos

After having chosen the vent option, proceed as follows:

- 1 Quitar los filtros de grasa.



- 2 Remover la tapa de la caja de conexiones.
Remover el precorte superior o posterior de la campana según la instalación deseada y coloque una abrazadera.

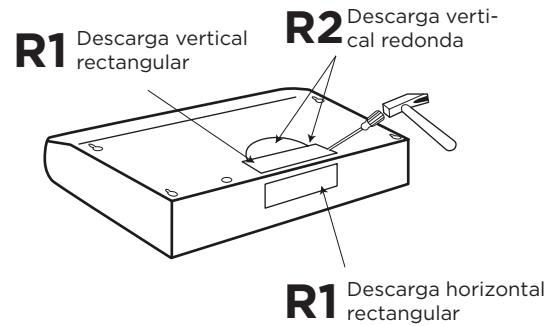


- 3 Dé unos pequeños golpes para remover la cubierta, utilizando el martillo y el desatornillador de forma similar a la que se hace con un cincel. Ponga atención a los filos cortantes.

⚠ ATENCIÓN

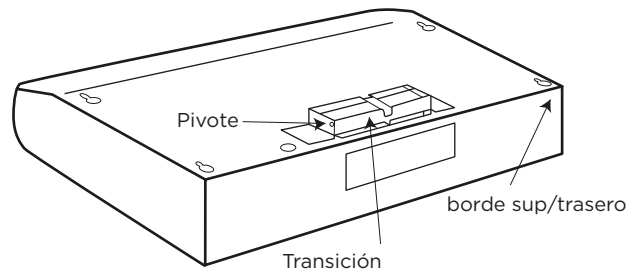
Si se piensa usar la campana en versión de recirculación, no quitar ninguna pieza removible del conducto y pedir el filtro de carbón necesario a su proveedor.

R1 = Quitar sólo las piezas removibles del conducto rectangular.
R2 = Quitar sólo las piezas removibles de los conductos rectangulares y semicirculares.



- 4 Sólo para las instalaciones de descarga con conducto rectangular (de otra manera pasar al siguiente paso). Instalar la transición rectangular sobre el precorte con tres tornillos. Asegúrese que el pivote quede ubicado hacia la parte posterior o superior de la campana.

NOTA: La transición se puede colocar hasta 1" del centro de la campana para acomodarse a instalaciones descentradas. En instalaciones extremadamente descentradas, un lado de la transición deberá ser recortada para evitar interferencias con la abrazadera del cable.



- Sólo para las instalaciones de descargas de conductos redondos.
1 install 7" (17.8 cm) transito .

NOTA: La transición se puede colocar hasta 1" del centro de la campana para acomodarse a instalaciones descentradas. En instalaciones extremadamente descentradas, un lado de la transición deberá ser recortada para evitar interferencias con la abrazadera del cable.



Marcar los orificios.

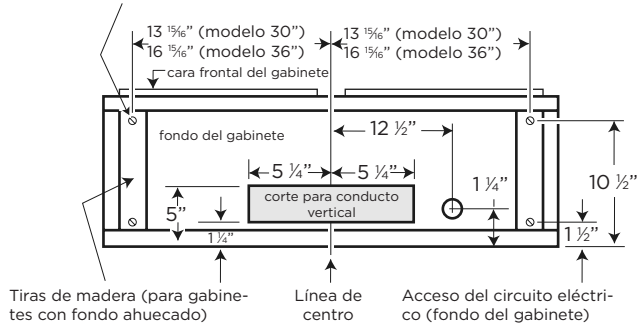
Seleccionar la opción de descarga que requiere su instalación y proceder a esa sección:

Extractor superior exterior

(Conducto vertical - 3/4" x 10" Rectangular)

Usar el diagrama o la campana como plantilla y marque en el gabinete la ubicación del ducto, cableado eléctrico y puntos de sujeción.

Tornillos de fijación (4)



Tiras de madera (para gabinetes con fondo ahuecado)

Línea de centro

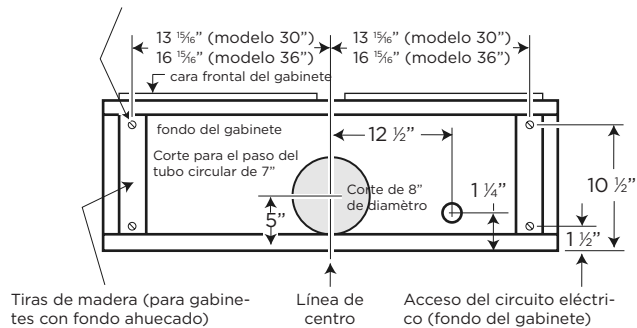
Acceso del circuito eléctrico (fondo del gabinete)

Extracción superior al exterior

(Conducto vertical- 7" Redondo)

Usar el diagrama o la campana como plantilla y marque en el gabinete la ubicación del ducto, cableado eléctrico y puntos de sujeción.

Tornillos de fijación (4)



Tiras de madera (para gabinetes con fondo ahuecado)

Línea de centro

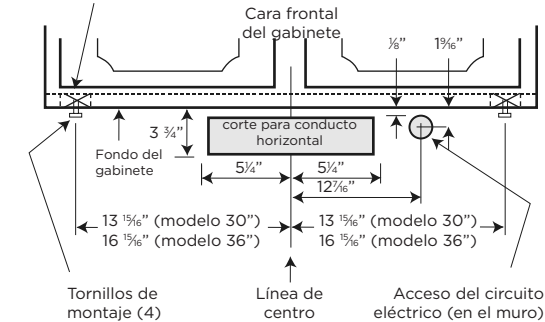
Acceso del circuito eléctrico (fondo del gabinete)

Extracción posterior al exterior

(Conducto Horizontal 3/4" x 10" rectangular)

Usar el diagrama o la campana como plantilla y marque en el gabinete la ubicación del ducto, cableado eléctrico y puntos de sujeción.

Tiras de madera (para gabinetes con fondo ahuecado)



Tornillos de montaje (4)

Línea de centro

Acceso del circuito eléctrico (en el muro)

Instalación- Recirculante

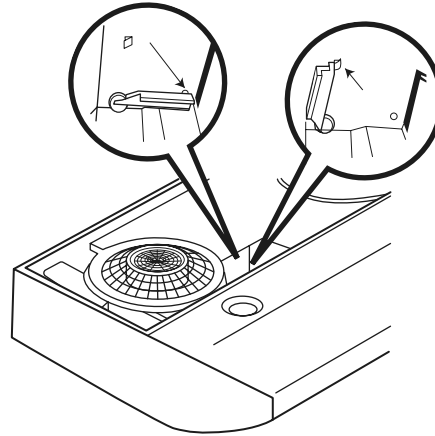
Use el diagrama o la campana como plantilla y marque en el gabinete la ubicación del cableado eléctrico y puntos de sujeción. Ya que la campana será recirculante (sin ventilación al exterior), no realice los cortes en las paredes o gabinetes.

Escoger la opción de descarga:

- 1 La campana puede ser ajustada para dar salida hacia afuera o hacer circular el aire en la cocina. La palanca plástica de salida de ventilación se localiza cerca del centro de la abertura de la campana. Para la descarga al exterior, asegurarse que la palanca plástica de salida de ventilación esté en la posición HORIZONTAL (orientada hacia el panel de lámparas) Para recircular el aire en la cocina, asegurarse que la palanca plástica de salida de ventilación esté en la posición VERTICAL (orientada hacia la cubierta plástica del motor).
NOTA: Para mover la palanca de ventilación, necesitará jalarla un poco hacia fuera para que libere las lengüetas plásticas.

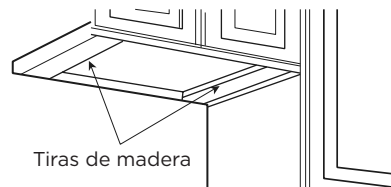
Para configurar la salida al exterior

Para configurar la recirculación del aire



Sólo para gabinetes huecos

- 1 Si los gabinetes tienen perfiles frontales, laterales o posteriores, hacer 2 soportes de madera con el ancho del perfil y ensámblalos a ambos lados de la parte inferior del gabinete. Ver las figuras anteriores para marcar los puntos de instalación.



Tiras de madera

- 2 Cortar los agujeros en los puntos marcados para el conducto y la instalación eléctrica. Para el conducto vertical, recorte 3/4" extra hacia el frente del gabinete para poder mover el conducto libremente al instalar la campana. Al mismo tiempo facilita la instalación cortando el agujero a 10 1/2" en vez de 10.
- 3 Atornillar un tornillo de montaje parcialmente en el centro de la parte angosta de los orificios de instalación marcados en la parte inferior del gabinete.
- 4 Fije el cableado de la casa a la campana.
- 5 Deslice la campana hacia la pared. Apriete los tornillos de montaje, asegúrese que la cabeza de los tornillos estén en la parte angosta de los orificios de instalación. Conecte el ducto a la campana.

Conexión eléctrica

⚠ ADVERTENCIA

PARA REDUCIR EL RIESGO DE INCENDIO, SÓLO USE CONDUCTOS METÁLICOS. PELIGRO DE CHOQUE ELÉCTRICO.

⚠ ADVERTENCIA

ANTES DE REALIZAR EL CABLEADO DE ESTE APARATO, DESACTIVE EL CIRCUITO DE ENERGÍA ELÉCTRICA EN EL PANEL DE SERVICIO.

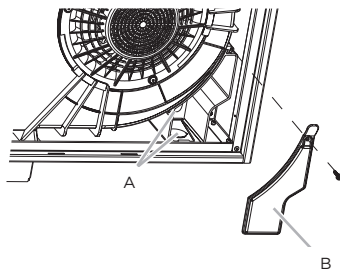
SE REQUIERE UN CIRCUITO 120 VAC, 15 Ó 20 A.

INSTRUCCIONES DE TOMA ELÉCTRICA

ESTE APARATO DISPONE DE UNA CAJA DE CONEXIONES ELÉCTRICAS CON 3 CABLES, UNO DE LOS CUALES (VERDE Y AMARILLO) SIRVE COMO TOMA DE TIERRA PARA EL APARATO PARA PROTEGERSE DE DESCARGAS ELÉCTRICAS, EL CABLE VERDE Y AMARILLO DEBE ESTAR CONECTADO AL CABLE DE TOMA A TIERRA DE SU SISTEMA DOMÉSTICO DE ELECTRICIDAD Y BAJO NINGUNA CIRCUNSTANCIA DEBE CORTARSE O ELIMINARSE.

De lo contrario, podría tener como resultado una descarga eléctrica o la muerte.

- Retire el pestillo extraíble y la tapa de la caja de conexiones e instale el conector de canal de cables (enumerado en cULUS) en la caja de conexiones.



A. Precortes
B. Cubierta de caja eléctrica

- Coloque los 3 cables (Negro, blanco y verde) de acuerdo con el National Electrical Code y la normativa y las ordenanzas locales en el canal de cables de 1/2" del panel del servicio a la caja de conexiones.
- Conecte el cable negro del panel de servicio al cable negro o rojo de la caja de conexiones, el cable blanco al blanco y el verde al verde-amarillo.
- Cierre la tapa de la caja de conexiones.

Complete la instalación

Vuelva a colocar los filtros.

Verifique el funcionamiento de la campana.

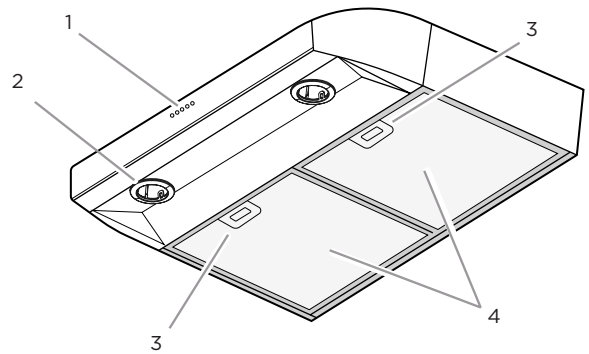
Si la campana extractora no funciona:

- Compruebe si el disyuntor está desconectado o se han fundido los fusibles.
- Desconecte el suministro eléctrico. Compruebe si el cableado es correcto.

Para conseguir el funcionamiento más eficaz de la nueva campana extractora, lea la sección "Mantenimiento".

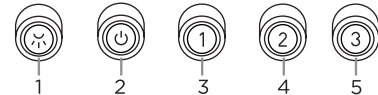
Para disponer de una referencia sencilla, siga las Instrucciones de instalación y la Guía de uso y mantenimiento.

Descripción de la campana



1. Control del motor y lámparas
2. Lámparas LED
3. Manija del filtro de grasa
4. Filtro de grasa

Control



1. Botón de encendido/apagado de la luz
2. Botón de encendido/apagado del motor
3. Botón de la velocidad mínima del motor
4. Botón de la velocidad media del motor
5. Botón de la velocidad máxima del motor

NOTA: Los botones del Panel de Control se encenderán mientras la campana esté encendida.

Funcionamiento de la luz

El botón de encendido/apagado de la luz (1) controla ambas luces. Presione una vez "encendido" y nuevamente para "apagado".

Funcionamiento del motor

El botón de encendido/apagado del motor (2) enciende y apaga el motor.

Los botones de la velocidad del motor (3, 4 y 5) establece la velocidad deseada y controla el nivel de sonido para un funcionamiento silencioso. La velocidad puede cambiar en cualquier momento durante el funcionamiento de la campana al presionar el botón con la velocidad deseada del motor.

- 1 Para encender el motor, presione el botón de encendido/apagado del motor (2) y la velocidad deseada con los botones de velocidad (3, 4 ó 5).
- 2 Para apagar el motor, presione el botón de encendido/apagado del motor (2).

Cualquiera de los tres botones de velocidad del motor, pueden estar en la posición de "encendido" al mismo tiempo. El motor operará la velocidad máxima que se encuentre presionada.

Para velocidades menores del motor, los botones de mayor velocidad no deben estar presionados.

Mantenimiento

Limpieza

La campana debe ser limpiada con frecuencia tanto externamente como internamente (con la misma frecuencia con la que se realiza el mantenimiento de los filtros de grasa).

Para la limpieza, utilice un paño impregnado de detergente líquido neutro. No utilice productos que contengan abrasivos. ¡NO UTILICE ALCOHOL!

⚠️ ATENCIÓN:

De no observarse las instrucciones dadas para limpiar el aparato y sustituir el filtro, puede producirse un incendio.

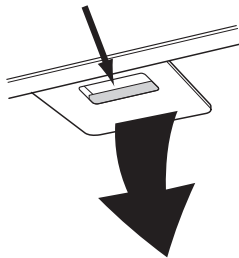
El fabricante recomienda leerlas y respetarlas atentamente. El fabricante no se hace responsable por los daños al motor o los incendios provocados en el aparato debido a intervenciones de mantenimiento incorrectas o al incumplimiento de las normas de seguridad proporcionadas.

Filtros de grasa

El filtro de grasa retiene las partículas de grasa producidas cuando se cocina. Debe limpiarse una vez al mes con detergentes no agresivos, manualmente o bien en lavavajillas a bajas temperaturas y con ciclo breve.

Con el lavado en el lavavajilla el filtro antigrasa metálico puede desteñirse pero sus características de filtrado no cambian absolutamente.

Para desmontar el filtro antigrasa, tirar de la manija como se muestra.



Reemplazo de las lámparas LED

Las luces LED son reemplazables sólo por un técnico de servicio. Vea la sección "A quién contactar" para la información de contacto del servicio.

Filtro de carbón

Si el modelo no puede expulsar el aire al exterior, el aire deberá ser filtrado a través de filtros de carbón desechables que ayudan a remover el humos y los olores.

Los filtros de carbón no son lavables.

Deben ser reemplazados.

Los filtros de carbón se montan sobre los filtros de grasa de su campana. Deben ser reemplazados cada 4-6 meses (dependiendo del uso de la campana).

NOTA: No enjuagar ni colocar los filtros de carbón en lavavajillas.

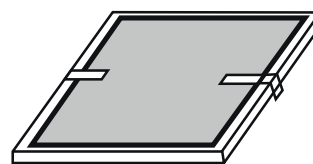
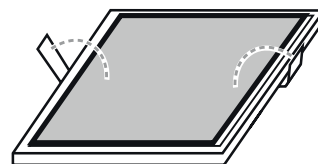
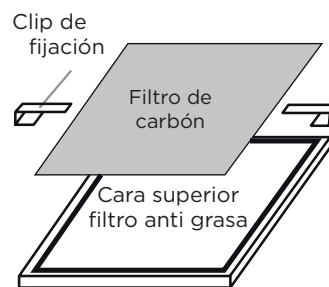
NOTA: Los filtros de carbón no están incluidos en su campana. Deben ser solicitados a su proveedor.

Colocación del filtro de carbón (Accesorios Recirculación)

• Posicione el filtro de carbón sobre la parte superior de cada filtro de grasa.

• Use los seguros para ajustarlo en su lugar.

NOTA: Cuando se quita para sustituirlo por uno nuevo no quite los seguros, simplemente extraiga uno y rotar hacia fuera.



PARA OBTENER SERVICIO DENTRO DE GARANTÍA

El propietario debe presentar su recibo original de la compra. Guarde por favor una copia de su recibo de compra como prueba, para recibir el servicio dentro del periodo de garantía.

PARTES Y GARANTÍA DE SERVICIO

Por el periodo de dos (2) años desde la fecha original de la compra, Elica proveerá, gratuitamente, partes no-consumibles o componentes que hayan fallado debido a defectos de fabricación. Durante estos dos (2) años de garantía limitada, Elica también proveerá gratuitamente, todo el servicio en casa y mano de obra necesaria para reemplazar cualquier parte defectuosa.

QUÉ NO ESTÁ CUBIERTO

- Daños o fallas del producto causados por accidente o actos de Dios, tales como inundaciones incendios o terremotos.
- Daños o fallas causadas por alteración del producto o por el uso de partes no-originales.
- Daños o fallas del producto causados durante la entrega, manejo o instalación.
- Daños o fallas del producto causados por abuso del usuario.
- Daños o fallas del producto causados por reemplazo de fusibles dañados o reseteo de interruptor de circuito.
- Daño o fallas causados por el uso del producto en un ambiente comercial (no doméstico).
- Viajes de servicio para proporcionar orientación de uso o instalación.
- Bombillas, filtros de carbón o metal y cualquier otra parte consumible.
- Desgaste normal.
- Desgaste terminal debido a abusos del usuario, mantenimiento inadecuado, uso de productos / toallas de limpieza corrosivos o abrasivos y por uso de limpiadores para hornos.

QUIÉN ESTÁ CUBIERTO

Esta garantía se extiende al comprador original de productos adquiridos para uso residencial en Norte América (incluyendo Estados Unidos, Guam, Puerto Rico, Islas Vírgenes de EU y Canadá).

Esta garantía no es transferible y aplica solamente al comprador original y no se extiende a propietarios subsecuentes del producto. Esta garantía se expresa en lugar de otras garantías, expresadas o implicadas, incluyendo, pero no limitada a ninguna garantía implicada de comercialización o adaptada para propósitos particulares y cualquier otra obligación por parte de Elica North America, considerando, sin embargo, que si la negación de garantías implícitas es inefectiva bajo la ley aplicable, la duración de cualquier garantía implícita será limitada a dos (2) años desde la fecha original de compra o por el periodo necesario como sea requerido por la ley aplicable.

Esta garantía no cubre cualquier daño especial, incidental y/o consecuente, ni pérdidas de ganancias, sufridas por el comprador original, sus clientes y/o usuarios del producto.

A QUIÉN CONTACTAR

Para obtener Servicio bajo Garantía o para cualquier pregunta relacionada a Servicio:

Favor de llamar a:

- Servicio Elica North America, llame a 1-888 732 8018
- Para el Este de Canadá, llame a Servicios AGI a 1-888 651 2534. Pregunte por el *Departamento de Servicio al Cliente*
- ✉ elica@servicepower.com
- Artexa Mexico S.A. de C.V.
Cañon Grande #7720
Col. La Estanzuela, Monterrey, N.L., 64984, Mexico
- ☎ 81 8625 5000 (México)
- 📞 55 3955 8770
- ✉ servicio@artexa.com

