

# Haiku Island

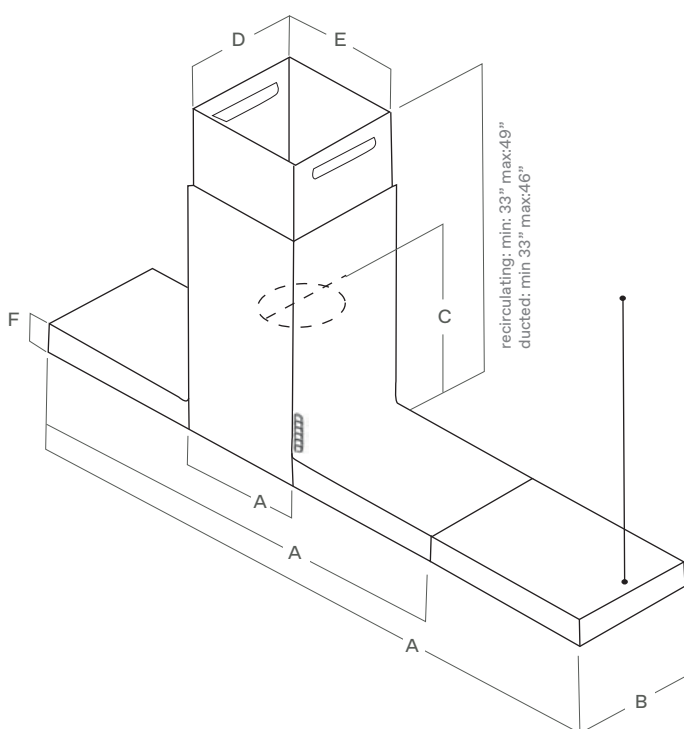
Specification sheet

## Island hood



Learn more

### MEASUREMENTS



	EHI613SS	EHI648WH EHI648BL EHI648SS	EHI670SS
A	13" (33 cm)	48" (120 cm)	70" (180cm)
B		13" (38 cm)	
C		19" (5.9 cm)	
D		11 <sup>13</sup> / <sub>20</sub> " (124.4 cm)	
E		12" (30.4 cm)	
F		3 <sup>3</sup> / <sub>16</sub> " (8 cm)	

### DESCRIPTION

Shapes, materials and solutions. At Elica, our strong belief in research means that even the choice of materials becomes an essential element in the innovation process. With 3D Aluminum grids with cast iron effect, the grids are kept attached to the casting by means of magnets mounted on the hood. Therefore, the locking system prevents any accidental fall. Available in different sizes and different materials: full stainless steel, extra clear tempered glass with black screen printed and White Intense Krypton.



### FEATURES

- Long life filter
- Total integration
- Special materials
- Comfort silence
- Maintenance alarm
- Led light



### GENERAL PROPERTIES

Width	13"	48"	70"
Model	EHI613SS	EHI648SS EHI648BL EHI648WH	EHI670SS
Dimensions	13"W x 13"D x min:33" max:49"H	48"W x 13"D x min:33" max:49"H	70"W x 13"H x min:33" max:49"H
Blower Type <sup>1</sup> (Internal)	600 CFM (3-speed+ boost)		
Noise (Min-max sones) <sup>1</sup>	1.8-6.8 Sones		
Electrical	120V-60Hz,460W		
Illumination	Strip LED light, 7W, 3500K		
Finish	Stainless Steel	Stainless Steel White KRION Black glass*	Stainless Steel
Controls	Sensitive touch control with backlight		
Grease filters	Sophisticated black iron grates+ 6 layer mesh filter		
Installation type	Ducted or recirculation only (kit sold separately)		
Telescopic chimney	Reaches ceiling heights 7'3" - 9'10" (ducted), 7'3" - 10'1" (recirculating) adjustable Depth (12.5" - 15")		

### KITS

Recirculating	CFC0141725AUL (contains one (1) Long Life Recirculating Carbon Filter)
---------------	--

**WARRANTY:<sup>2</sup> Two (2) Years Parts & In-Home Labor. Earn an additional One (1) Year of Parts & In-Home Labor by registering on elica.com**

\*Fron Black Glass / Sides Matte Black Stainless Steel



The product images shown are for illustration purposes only and may not be an exact representation of the product.

<sup>1</sup> CFM and Noise data indicate the performance of the hood blower tested according to international standards. For AHAM Certified Ratings, established in accordance with California Title 24 Standardized test procedure, please refer to AHAM Certified Product Directory. Electric Ratings are declared according to UL.

<sup>2</sup> For valid warranty extension, register within 3 months from purchase. For USA & Canada Users Only.