

EN Instruction on mounting and use
FR Prescriptions de montage et mode d'emploi
ES Montaje y modo de empleo

EES320SS - EES320WT

**READ AND SAVE THESE INSTRUCTIONS
LISEZ CES INSTRUCTIONS ET CONSERVEZ-LES
LEA Y GUARDE ESTAS INSTRUCCIONES**

**THIS MANUAL IS FOR USE ONLY IN USA AND CANADA
CE MANUEL EST UNIQUEMENT VALABLE AUX USA ET AU CANADA
ESTE MANUAL ES PARA USO EXCLUSIVO EN EE.UU. Y CANADÁ**

elica®

1. SAFETY INFORMATION

IMPORTANT SAFETY INSTRUCTION

READ AND SAVE THESE INSTRUCTIONS

APPROVED FOR RESIDENTIAL APPLIANCES
FOR RESIDENTIAL USE ONLY
READ AND SAVE THESE INSTRUCTIONS

PLEASE READ ENTIRE INSTRUCTIONS BEFORE
PROCEEDING.

INSTALLATION MUST COMPLY WITH ALL LOCAL
CODES.

IMPORTANT: Save these Instructions for the Local
Electrical Inspector's use.

INSTALLER: Please leave these Instructions with this
unit for the owner.

OWNER: Please retain these instructions for future
reference.

Safety Warning: Turn off power circuit at service panel
and lock out panel, before wiring this appliance.
Requirement: 120V, 60 Hz, 15 or 20 A Branch Circuit

Removing the packaging

CAUTION!

Remove carton carefully, Wear gloves to protect
against sharp edges.

WARNING!

Remove the protective film covering the product before
putting into operation.



Range Hood: EES320SS - EES320WT

Rated Voltage: 120 V~

Frequency: 60 Hz

Power consumption: 460 W

Current consumption: 3,8 A

Maximum lamp power: 3x 2,5 W LED

Number: 1 piece.

Made in Italy

Manufactured by: Elica SPA

Imported by : ELICAMEX S.A. de C.V.

Address: Av. La Noria (Prolongación) No. 102, Col.
Ampliación Parque Industrial Querétaro, Santa Rosa
Jáuregui, C.P. 76215, Querétaro, México. R.F.C.

ELI060102RK8

Tel. 81 8625 5000 - Cel. 55 3955 8770

***** : the items marked with this symbol are optional
accessories supplied only with some models or items that
cannot be supplied but can be purchased.

Important Safety Notice

CAUTION

FOR GENERAL VENTILATING USE ONLY. DO NOT
USE TO EXHAUST HAZARDOUS OR EXPLOSIVE
MATERIALS OR VAPOURS.

WARNING

TO REDUCE THE RISK OF FIRE, ELECTRIC SHOCK,
OR INJURY TO PERSONS, OBSERVE THE
FOLLOWING:

A. Use this unit only in the manner intended by the
manufacturer. If you have questions, contact the
manufacturer.

B. Before servicing or cleaning the unit, switch power off at
service panel and lock service panel disconnecting means
to prevent power from being switched on accidentally.
When the service disconnecting means cannot be locked,
securely fasten a prominent warning device, such as a tag,
to the service panel.

WARNING

TO REDUCE THE RISK OF FIRE, ELECTRIC SHOCK,
OR INJURY TO PERSONS, OBSERVE THE
FOLLOWING:

A. Installation Work and Electrical Wiring Must Be Done By
Qualified Person(s) In Accordance With All Applicable
Codes & Standards, Including Fire-rated Construction.

B. Sufficient air is needed for proper combustion and exhausting of gases through the flue (Chimney) of fuel burning equipment to prevent back-drafting. Follow the heating equipment manufacturers guideline and safety standards such as those published by the National Fire Protection Association (NFPA), the American Society for Heating, Refrigeration and Air Conditioning Engineers (ASHRAE), and the local code authorities.

C. When cutting or drilling into wall or ceiling, do not damage electrical wiring and other hidden utilities.

D. Ducted fans used to exhaust contaminants must always be vented to the outdoors.

WARNING

TO REDUCE THE RISK OF FIRE, USE ONLY METAL DUCT WORK.

Install this hood in accordance with all requirements specified.

WARNING

To Reduce The Risk Of Fire Or Electric Shock, Do Not Use This Hood With Any External Solid State Speed Control Device.

WARNING

TO REDUCE THE RISK OF A RANGE TOP GREASE FIRE.

- a) Never leave surface units unattended at high settings. Boilovers cause smoking and greasy spillovers that may ignite. Heat oils slowly on low or medium settings.
- b) Clean ventilating fans frequently. Grease should not be allowed to accumulate on fan or filter.
- c) Use proper pan size. Always use cookware appropriate for the size of the surface element.

WARNING

TO REDUCE THE RISK OF INJURY TO PERSONS, IN THE EVENT OF A RANGE TOP GREASE FIRE, OBSERVE THE FOLLOWING:

- a) **SMOTHER FLAMES** with a close-fitting lid, cookie sheet, or other metal tray, then turn off the gas burner or the electric element. **BE CAREFUL TO PREVENT BURNS.** If the flames do not go out immediately, **EVACUATE AND CALL THE FIRE DEPARTMENT.**
- b) **NEVER PICK UP A FLAMING PAN** - you may be burned.
- c) **DO NOT USE WATER**, including wet dishcloths or towels - a violent steam explosion will result.
- d) Use an extinguisher **ONLY** if:
 - 1) You know you have a class ABC extinguisher, and you already know how to operate it.
 - 2) The fire is small and contained in the area where it started.
 - 3) The fire department is being called.
 - 4) You can fight the fire with your back to an exit.

Based on "Kitchen Firesafety Tips" published by NFPA.

WARNING

TO REDUCE THE RISK OF FIRE, ELECTRIC SHOCK OR INJURY TO PERSONS, DO NOT USE REPLACEMENT PARTS THAT HAVE NOT BEEN RECOMMENDED BY THE MANUFACTURER (E.G. PARTS MADE AT HOME USING A 3D PRINTER).

OPERATION

Always leave safety grills and filters in place. Without these components, operating blowers could catch onto hair, fingers and loose clothing.

The manufacturer declines all responsibility in the event of failure to observe the instructions given here for installation, maintenance and suitable use of the product. The manufacturer further declines all responsibility for injury due to negligence and the warranty of the unit automatically expires due to improper maintenance.

- This device is not intended for use by persons (including children) whose physical, sensory or mental abilities are different or reduced, or who lack experience or knowledge unless such persons receive supervision or training for the operation of the device by a person responsible for your safety.
- Children should be supervised to ensure they do not use the devices as a toy.
- Do not flame food under the kitchen hood.
- There must be adequate ventilation in the room, when the range hood is used at the same time as appliances that consume gas or other fuels. (DOES NOT APPLY FOR RANGEHOODS THAT ARE ONLY RECYCLING MODE).
- There is a risk of fire, if the cleaning is not carried out in accordance with the instructions.
- The discharge air must not be sent through a duct that is used to evacuate fumes from appliances that consume gas or other fuels. (DOES NOT APPLY FOR RANGEHOODS THAT ARE ONLY RECYCLING MODE).
- Must be complied with regulations relate to the evaluation of the air discharge.
- In the event that your power cord is damaged in part or in full, do not try to repair it by contacting the service center marked on your warranty or by a specialist technician for replacement.
- **WARNING:** Incorrect placement of screws or fasteners or mounting devices according to these instructions may result in electrical hazards.
- **CAUTION:** Accessible parts of the hood may become hot when used with cooking appliances.

Electrical & Installation Requirements

Electrical Requirements

IMPORTANT

Observe all governing codes and ordinances.

It is the customer's responsibility:

To contact a qualified electrical installer.

To assure that the electrical installation is adequate and in conformance with National Electrical Code, ANSI/NFPA 70 — latest edition*, or CSA Standards C22.1-94, Canadian Electrical Code, Part 1 and C22.2 No.0-M91 - latest edition** and all local codes and ordinances.

If codes permit and a separate ground wire is used, it is recommended that a qualified electrician determine that the ground path is adequate.

GROUNDING INSTRUCTIONS

This appliance must be grounded. In the event of an electrical short circuit, grounding reduces the risk of electric shock by providing an escape wire for the electric current.

WARNING – Improper grounding can result in a risk of electric shock.

Consult a qualified electrician if the grounding instructions are not completely understood, or if doubt exists as to whether the appliance is properly grounded.

Do not ground to a gas pipe.

Check with a qualified electrician if you are not sure range hood is properly grounded.

Do not have a fuse in the neutral or ground circuit.

IMPORTANT

Save Installation Instructions for electrical inspector's use.

The range hood should be connected directly to the fused disconnect (Or circuit breaker).

Wire sizes must conform to the requirements of the National Electrical Code ANSI/NFPA 70 — latest edition*, or CSA Standards C22.1-94, Canadian Electrical Code Part 1 and C22.2 No. 0-M91 - latest edition** and all local codes and ordinances.

A U.L.- or C.S.A.-listed conduit connector must be provided at each end of the power supply conduit (at the appliance and at the junction box).

Copies of the standards listed may be obtained from:

* National Fire Protection Association Batterymarch Park Quincy, Massachusetts 02269

** CSA International 8501 East Pleasant Valley Road Cleveland, Ohio 44131-5575

The product is meant for connecting directly to the mains supply, therefore apply a regulation bipolar switch that ensures complete disconnection from the mains in the conditions of category III over-tension, conforming to the installation rules.

Before installing the hood

1. For the most efficient air flow exhaust, use a straight run or as few elbows as possible.
CAUTION: Vent unit to outside of building, only.
2. At least two people are necessary for installation. Wear gloves to protect against sharp edges.
3. Fittings material is provided to secure the hood to most types of walls/ceilings, consult a Qualified Installer, check if they perfectly fit with your cabinet/wall.
4. Do not use flex ducting.
5. COLD WEATHER installations should have an additional backdraft damper installed to minimize backward cold air flow and a non-metallic thermal break to minimize conduction of outside temperatures as part of the ductwork. The damper should be on the cold air side of the thermal break. The break should be as close as possible to where the ducting enters the heated portion of the house.
6. Make up air: Local building codes may require the use of Make-Up Air Systems when using Ducted Ventilation Systems greater than specified CFM of air movement. The specified CFM varies from locale to locale. Consult your HVAC professional for specific requirements in your area.

All fastener location must span the studs otherwise proceed as follows:

Cutout drywall along marked lines. Install wood blocking between studs and make sure it is flush with existing stud front. Make sure all mounting screws will anchor to added studs. Replace drywall and refinish.

When used in recirculation mode, To Reduce the Risk of Fire and Shock use only conversion kit Model: Carbon Filter

2. USE

The hood has been made for use in the internal recirculating filtering version.

Cooking fumes and steam are aspirated inside the hood, filtered and cleaned, passing through the fat filter/s and the carbon filter/s that MUST be supplied with the hood.

3. INSTALLATION

Specialised personnel must carry out both the electrical and the mechanical installation.

Do not cut a joist or stud unless absolutely necessary. If a joist or stud must be cut, then a supporting frame must be constructed.

Fittings material is provided to secure the hood to most types of walls/ceilings. However, a qualified technician must verify suitability of the materials in accordance with the type of wall/ceiling.

CAUTION: The means of fixing supplied with the hood, are exclusively suitable for fixing on concrete or brick ceiling.

Before making cutouts, make sure there is proper clearance within the ceiling or wall for exhaust vent.

Hood installation height above cooktop is the users preference.

CAUTION: FOR GAS RANGES INSTALLATION: MOUNT THIS HOOD SO THAT THE BOTTOM EDGE IS AT 30" (76,2 CM) ABOVE THE COOKING SURFACE.

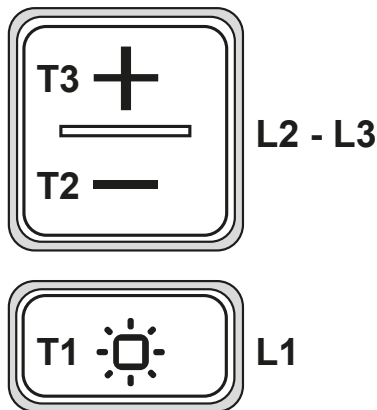
FOR ELECTRIC RANGES INSTALLATION: MOUNT THIS HOOD SO THAT THE BOTTOM EDGE IS NOT LESS THAN 30" (76,2 CM) AND NO MORE THAN 30" (76,2 CM) ABOVE THE COOKING SURFACE. HOUSEHOLD USE. PLEASE, READ INSTALLATION MANUAL FOR SPECIFIC APPLICATION.

If the instructions for installation for the gas hob specify a greater distance, this must be adhered to.

Check your ceiling height and the hood height maximum before you select your hood.

Consult last pages of this manual for installation instruction and electrical connection steps.

4. OPERATION



T1. Button ON/OFF lights

T2. Button to decrease suction speed (power)

OFF 1: press repeatedly to decrease the speed until you turn off the hood

OFF 2: at any speed press and hold for a longer time

T3. Button ON/to increase suction speed (power) (1-2-3-Intensive) / Timer

Intensive speed has a duration of approx. 5 minutes, then speed 3 is automatically set.

To program the automatic switch-off (**Timer**) press and hold for a longer time; the shutoff time changes according to the set speed:

Speed 1: 20 minutes

Speed 2: 15 minutes

Speed 3: 10 minutes

Intensive speed: 5 minutes

Filter Saturation Indicator

The hood signals when necessary to perform filter maintenance:

Grease filter (every 40 hours of use): all Leds with red light.

Activated charcoal odour filter (every 160 hours of operation): all LEDs with red light, LEDs L2 and L3 blink.

Reset Filter Saturation

After performing filter maintenance, press and hold buttons T1 and T3, Leds L1, L2 and L3 blink briefly in red and then turn off for good.

Activation indicator for odour filter saturation with activated charcoal

This indicator is normally disabled. To enable it, proceed as follows:

With the hood off, press and hold simultaneously T1 and T2: L1 turns on first, then L2 and L3 and after that, when the buttons are released, the Leds L2 and L3 flash briefly to indicate successful activation.

Disabling the LED for charcoal filter saturation: repeat the operation above; first the LEDs L1, L2 and L3 turn on simultaneously, then only L1, and after that, when the buttons are released, the leds L1, L2 and L3 turn on again to indicate successful disabling.

5. MAINTENANCE

User Servicing and Maintenance Instructions

- **Cleaning:** For cleaning, simply use a cloth moistened with neutral liquid detergents. Do not use cleaning tools or instruments.
- Avoid the use of abrasive products. **DO NOT USE ALCOHOL!**

Steam screen

The steam screen must always be left closed and opened only for maintenance (e.g. cleaning or changing filters).

• **XA** Grease filter maintenance:

Traps grease particles generated by cooking.

Must be cleaned once a month (or when indicated by the filter saturation indication system), with non-aggressive detergents, either by hand or in the dishwasher at low temperatures and in a short cycle. When cleaned in the dishwasher, the metal grease filter may discolour, but its filtering characteristics remain unchanged.

• **XB** Washable activated carbon filter (for filter version only):

The carbon filter can be washed every two months (or when indicated by the filter saturation system - if included in your model). As indicated in the drawing section: remove the grease filter, remove the carbon filter and wash using

hot water and suitable detergents or in a dishwasher at 65°C (if washing in a dishwasher, carry out the complete washing cycle without dishes inside). Remove any excess water without damaging the filter, then place it in the oven for 10 minutes at 100°C to dry it out completely. Put the anti-grease filters back in place.

Replace the foam layer every 3 years and each time the cloth appears damaged.

Illumination

• The lighting system is based on LED technology. LEDs provide optimal illumination, last up to 10 times longer than conventional lamps and save 90% of electricity.

• **Lighting system** : The lighting system cannot be replaced by the user, contact Customer Service in case of malfunction.

Warranty

ELICA North America TWO-YEARS LIMITED WARRANTY

ELICAMEX S.A. de C.V. Dirección: Av. La Noria No. 102 int. S/N, Col. Parque Industrial Querétaro Del. Santiago de Querétaro, C.P. 76215 Querétaro, R.F.C. ELI060102RK8

TO OBTAIN SERVICE UNDER WARRANTY

Owner must present proof of original purchase date. Please keep a copy of your dated proof of purchase (sales slip) in order to obtain service under warranty.

PARTS AND SERVICE WARRANTY

For the period of two (2) years from the date of the original purchase, Elica will provide free of charge, non consumable parts or components that failed due to manufacturing defects. During these two (2) years limited warranty, Elica will also provide free of charge, all labor and in-home service to replace any defective parts.

WHAT IS NOT COVERED

- Damage or failure to the product caused by accident or act of God, such as, flood, fire or earthquake.
- Damage or failure caused by modification of the product or use of non-genuine parts.
- Damage or failure to the product caused during delivery, handling or installation.
- Damage or failure to the product caused by operator abuse.
- Damage or failure to the product caused by dwelling fuse replacement or resetting of circuit breakers.
- Damage or failure caused by use of product in a commercial application.
- Service trips to dwelling to provide use or installation guidance.
- Light bulbs, metal or carbon filters and any other consumable part.
- Normal wear of finish.
- Wear to finish due to operator abuse, improper maintenance, use of corrosive or abrasive cleaning products/pads and oven cleaner products.

WHO IS COVERED

This warranty is extended to the original purchaser for products purchased for ordinary residential use in North America (Including the United States, Guam, Puerto Rico, US Virgin Islands & Canada).

This warranty is non-transferable and applies only to the original purchaser and does not extend to subsequent owners of the product. This warranty is made expressly in lieu of all other warranties, expressed or implied, including, but not limited to any implied warranty of merchantability or fitness for a particular purpose and all other obligations on the part of Elica North America, provided, however, that if the disclaimer of implied warranties is ineffective under applicable law, the duration of any implied warranty arising by operation of law shall be limited to two (2) years from the date of original purchase at retail or such longer period as may be required by applicable law.

This warranty does not cover any special, incidental and/or consequential damages, nor loss of profits, suffered by the original purchaser, its customers and/or the users of the Products.

WHO TO CONTACT

To obtain service under Warranty or for any Service Related Question:

- Elica North America Authorized Service - (714) 428-0046
- elica@servicepower.com
- *Artexa Mexico S.A. de C.V. / Cañon Grande #7720, Col. La Estanzuela, Monterrey, N.L., 64984, Mexico / telefono 81 8625 5000, whatsapp 55 3955 8770, email servicio@artexa.com*

1. INFORMATIONS SUR LA SÉCURITÉ

CONSIGNES DE SÉCURITÉ IMPORTANTES

VEUILLEZ LIRE ET CONSERVER CES INSTRUCTIONS

APPROUVÉ POUR LES APPAREILS DE TYPE RÉSIDENTIEL
POUR UNE UTILISATION RÉSIDENTIELLE SEULEMENT
LISEZ CES INSTRUCTIONS ET CONSERVEZ-LES

VEUILLEZ LIRE CES INSTRUCTIONS AU COMPLET AVANT DE COMMENCER. L'INSTALLATION DE L'APPAREIL DOIT RESPECTER TOUS LES CODES EN VIGUEUR.

IMPORTANT : Conservez ces instructions afin de pouvoir les remettre à l'inspecteur-électricien de votre région.

INSTALLATEUR : Veuillez laisser ces instructions avec l'appareil pour le propriétaire.

PROPRIÉTAIRE : Veuillez conserver ces instructions pour pouvoir vous y référer plus tard. Avertissement de sécurité : Coupez l'alimentation du circuit dans le panneau électrique et verrouillez le panneau avant de raccorder les fils de cet appareil.

Exigence : Circuit de dérivation de 120V, 60 Hz, 15 ou 20 A.

Enlever l'emballage
ATTENTION!

Enlever le carton avec précaution, porter des gants pour se protéger des parties coupantes.

AVERTISSEMENT!

Enlever le film de protection qui recouvre le produit avant de l'utiliser.



Hotte de cuisinière : EES320SS - EES320WT

Tension nominale: 120 V~

Fréquence: 60 Hz

Puissance: 460 W

Current: 3,8 A

Puissance maximale de la lampe: LED 3x2,5W

Quantité: 1 pièce

Fabriqué en Italie

Produit par: Elica SPA

Importé par: ELICAMEX S.A. de C.V.

Adresse: Av. La Noria (Prolongación) No. 102, Col. Ampliación Parque Industrial Querétaro, Santa Rosa Jáuregui, C.P. 76215, Querétaro, México. R.F.C.

ELI060102RK8

Tel. 81 8625 5000 - Cel. 55 3955 8770

* : les détails marqués par ce symbole sont des accessoires optionnel fournis uniquement sur certains modèles ou des détails à fourni à la demande.

Avis de Sécurité Important

ATTENTION

UTILISER CET APPAREIL À DES FINS DE VENTILATION GÉNÉRALE SEULEMENT. NE PAS UTILISER CET APPAREIL POUR ÉVACUER DES MATÉRIAUX OU DES VAPEURS DANGEREUX OU EXPLOSIFS.

AVERTISSEMENT

POUR RÉDUIRE LES RISQUES D'INCENDIE, DE CHOC ÉLECTRIQUE ET DE BLESSURE, RESPECTER LES DIRECTIVES SUIVANTES :

A. Utiliser cet appareil uniquement aux fins prévues par le fabricant. Si vous avez des questions à propos de l'appareil, communiquez avec le fabricant.

B. Avant de faire l'entretien de l'appareil ou de le nettoyer, coupez l'alimentation dans le panneau électrique et verrouillez le panneau en bloquant le dispositif permettant d'empêcher d'activer l'alimentation accidentellement. S'il n'est pas possible de verrouiller l'accès au panneau, fixez une étiquette très voyante au panneau électrique.

AVERTISSEMENT

POUR RÉDUIRE LES RISQUES D'INCENDIE, DE CHOC ÉLECTRIQUE ET DE BLESSURE, RESPECTER LES DIRECTIVES SUIVANTES :

- A.** Une personne qualifiée doit effectuer l'installation et le câblage des fils électriques en conformité avec tous les codes et toutes les normes, y compris la cote de résistance au feu.
- B.** Il est important de prévoir suffisamment d'air pour assurer une bonne combustion de l'équipement de chauffe et l'évacuation adéquates des gaz par le conduit de cheminé afin de prévenir les refoulements d'air. Respectez les directives et les normes de sécurité des fabricants de l'équipement de chauffage, comme celles publiées par la National Fire Protection Association (NFPA), la American Society for Heating, Refrigeration and Air Conditioning Engineers (ASHRAE) et le code des autorités de votre région.
- C.** Au moment de couper ou de percer un mur ou un plafond, assurez-vous de ne pas endommager la filerie électrique ou tout autre accès à un service publique.
- D.** Les ventilateurs canalisés utilisés pour l'échappement de contaminants doivent toujours être dotés d'une évacuation vers l'extérieur.

AVERTISSEMENT

POUR RÉDUIRE DES RISQUES D'INCENDIE, UTILISEZ UNIQUEMENT DES CONDUITS EN MÉTAL.

Installez cette hotte en respectant toutes les exigences mentionnées.

AVERTISSEMENT

Pour réduire les risques d'incendie et de choc électrique, n'utilisez pas cette hotte avec un contrôleur de vitesse à semi-conducteurs.

AVERTISSEMENT

POUR RÉDUIRE LES RISQUES D'INCENDIE DE GRAISSE SUR LES CUISINIÈRES.

- a)** Ne laissez jamais la cuisinière sans surveillance lorsqu'elle est réglée à une haute température. Les débordements par bouillonnement causent de la fumée et des débordements de gras qui peuvent s'enflammer. Faites chauffer l'huile lentement, à une température basse ou moyenne.
- b)** Nettoyez les hélices de ventilation fréquemment. Il ne faut pas que la graisse s'accumule sur les filtres ou les hélices.
- c)** Utilisez le bon format de casserole. Utilisez toujours un chaudron de taille approprié à l'élément de la cuisinière.

AVERTISSEMENT

POUR ÉVITER DE BLESSER QUELQU'UN LORS D'UN INCENDIE DE GRAISSE SUR LA CUISINIÈRE, SUIVRE LES CONSEILS SUIVANTS

a) ÉTOUFFER LES FLAMMES avec un couvercle aux dimensions de la taque de cuisson, une tôle à biscuit ou tout autre plateau métallique, puis couper le gaz ou l'alimentation électrique de la cuisinière. **FAIRE ATTENTION A NE PAS SE BRÛLER.** Si les flammes ne s'éteignent pas immédiatement, **QUITTER LA PIÈCE ET APPELER LES POMPIERS.**

b) NE JAMAIS PRENDRE EN MAIN UNE CASSEROLE EN FEU, vous pourriez vous blesser.

c) NE PAS UTILISER D'EAU, y compris les essuies de vaisselle ou les serviettes humides – une violente explosion due à la vapeur formée pourrait survenir.

d) Utiliser un extincteur SEULEMENT si:

1) Vous êtes sûr d'avoir un extincteur de classe ABC que vous savez utiliser.

2) Le feu est petit et confiné à la zone où il s'est formé.

3) Les pompiers ont été appelés.

4) Vous pouvez lutter contre le feu avec une sortie derrière vous.

Basé sur "Kitchen Firesafety Tips" publié par NFPA.

AVERTISSEMENT

AFIN DE RÉDUIRE LE RISQUE D'INCENDIE, D'ELECTROCUTION OU DE DOMMAGES PHYSIQUES, NE PAS UTILISER DE PIÈCES DE RECHANGE NON RECOMMANDÉES PAR LE FABRICANT (PAR EXEMPLE, DES PIÈCES FAÇONNÉES À L'AIDE D'UNE IMPRIMANTE 3D).

MODE OPERATOIRE

Toujours laisser les grilles de sécurité et les filtres à leur place. Sans la présence de ces derniers, les parties aspirantes pourraient attirer les cheveux, les doigts ou les vêtements.

Le fabricant décline toute responsabilité si les informations détaillées dans ce manuel pour l'installation, l'entretien et l'utilisation adéquate du produit ne sont pas observées. Le fabricant décline en outre toute responsabilité pour d'éventuelles blessures dues à des négligences; en outre, la garantie de l'appareil sera annulée suite à des conditions d'entretien inappropriées. Cet appareil est fabriqué pour un usage interne. Ne pas utiliser cet appareil à l'extérieur.

- Cet appareil n'est pas prévu pour l'utilisation par des personnes (y compris les enfants) avec des capacités physiques, sensorielles ou mentales différentes ou réduites, ou qui manquent d'expérience ou de connaissances, à moins que ces personnes ne soient sous la supervision d'une personne responsable de la sécurité ou qu'elles aient reçu une formation sur le fonctionnement de l'appareil.
- Les enfants doivent être surveillés afin de s'assurer qu'ils n'utilisent pas l'appareil comme un jouet.
- Ne pas faire flamber des aliments en dessous de la hotte.

- Il doit y avoir une aération adéquate dans la pièce, lorsque la hotte est utilisée en même temps que des appareils qui consomment du gaz ou d'autres carburants. (PAS APPLICABLE POUR LES HOTTES QUI SONT EN MODE RECYCLAGE).
- Il y a un risque d'incendie si le nettoyage n'est pas effectué conformément aux instructions.
- L'air aspiré ne doit pas être envoyé dans une conduite qui est utilisée pour évacuer les fumées d'appareils qui consomment du gaz ou d'autres carburants. (PAS APPLICABLE POUR LES HOTTES QUI SONT UNIQUEMENT EN MODE RECYCLAGE).
- Doit être conforme aux règlements relatifs à l'évacuation de l'air.
- Dans le cas où le cordon d'alimentation est en partie ou complètement endommagé, ne pas essayer de le réparer par vous-même mais contacter le service d'assistance indiqué sur la carte de garantie ou un technicien spécialisé pour le remplacement.
- **AVERTISSEMENT:** le placement incorrect des vis ou des fixations ou des dispositifs de montage conformément à ces instructions peut entraîner des risques électriques.
- **AVERTISSEMENT:** Lorsque la table de cuisson est en fonctionnement, les parties accessibles de la hotte peuvent devenir très chaudes.

Exigences électriques et exigences d'installation

Exigences électriques

IMPORTANT

Respectez tous les codes et ordonnances en vigueur.

Il incombe au client :

De contacter un installateur électricien qualifié.

De s'assurer que l'installation électrique est adéquate et conforme au Code national de l'électricité, ANSI/NFPA 70 - dernière édition*, ou aux normes CSA C22.1-94, Code canadien de l'électricité, Partie 1 et C22.2 No.0-M91 - dernière édition** et à tous les codes et ordonnances locaux.

Si les codes le permettent et qu'un fil de terre séparé est utilisé, il est recommandé qu'un électricien qualifié détermine que le chemin de terre est adéquat.

INSTRUCTIONS POUR LE RACCORDEMENT A LA TERRE

Cet appareil doit être raccordé à la terre. En cas de court-circuit, la mise à la terre diminue le risque de choc électrique en fournissant un fil de sortie pour le courant électrique.

AVERTISSEMENT – Une mise à la terre non correcte peut entraîner un choc électrique.

Consulter un électricien qualifié si vous ne comprenez pas complètement les instructions de raccordement, ou en cas de doute sur la mise à la terre réelle de l'appareil.

Ne mettez pas à la terre un tuyau de gaz.

Demandez conseil à un électricien qualifié si vous n'êtes pas sûr que la hotte est correctement mise à la terre.

N'insérez pas de fusible dans le circuit neutre ou de mise à la terre.

IMPORTANT

Conservez les instructions d'installation à l'usage de l'inspecteur en électricité.

Il faut raccorder la hotte directement à une boîte à fusible ou à un disjoncteur.

La taille des fils doit être conforme aux exigences du National Electrical Code ANSI/NFPA 70 - dernière édition*, ou aux normes CSA C22.1-94, Code canadien de l'électricité Partie 1 et C22.2 No. 0-M91 - dernière édition** et à tous les codes et ordonnances locaux. Un connecteur de conduit répertorié U.L. ou C.S.A. doit être prévu à chaque extrémité du conduit d'alimentation électrique (à l'appareil et à la boîte de jonction).

Vous pouvez obtenir des copies des normes mentionnées auprès de :

* National Fire Protection Association Batterymarch Park Quincy, Massachusetts 02269

** CSA International 8501 East Pleasant Valley Road Cleveland, Ohio 44131-5575

Ce produit a été conçu pour être branché directement à l'alimentation secteur, par conséquent, appliquer un interrupteur bipolaire de réglage garantissant la déconnexion complète du secteur en cas de surtension de catégorie III, conformément aux normes d'installation.

Avant d'installer la hotte

1. Pour assurer la ventilation la plus efficace possible, installez la conduite en ligne droite ou avec le moins de coudes possibles. **ATTENTION** : La sortie de la conduite de ventilation doit donner sur l'extérieur.
2. Deux personnes sont nécessaires pour effectuer l'installation. Porter des gants pour se protéger des bords coupants.
3. La quincaillerie fournie permet de fixer la hotte à la plupart des murs et des plafonds; consultez un installateur qualifié pour vous assurer que la quincaillerie fournie est adaptée à votre type de mur ou d'armoire.
4. N'utilisez pas de conduit flexible.
5. Dans le cas des endroits sujets aux TEMPÉRATURES FROIDES, il faut installer un clapet de contre-tirage supplémentaire afin de minimiser le retour d'air froid et un isolant

thermique non métallique afin de minimiser la conduction de la température extérieur dans le conduit. Il faut placer le clapet du côté de l'air froid de l'isolant thermique. L'isolant doit être placé le plus près possible de l'endroit où le conduit entre dans la partie chauffée de la maison.

6. Air d'appoint : Le code du bâtiment de votre région peut exiger l'utilisation d'un système d'air d'appoint si vous utilisez un système de ventilation à conduit dont le mouvement d'air dépasse un certain nombre de CFM. Le nombre de pi3/min varie d'une région à l'autre. Consultez un professionnel de CVC pour connaître les exigences précises de votre région.

Les marques d'ouverture de fixation doivent toutes se trouver entre deux montants, sinon procédez de la façon suivante :

Coupez la cloison sèche en suivant les lignes marquées. Installez perpendiculairement entre deux montants une pièce de bois pour qu'elle soit alignée avec les montants existants. Assurez-vous que les vis de fixation s'enfonceront dans ces nouveaux montants. Remplacez la cloison sèche et refaites le fini de la surface.

Lorsqu'il est utilisé en mode de recirculation, Pour Réduire Les Risques d'Incendie Et De Choc utiliser seulement kits de conversion Modèle: Filtre de carbone.

2. UTILISATION

La hotte a été conçue pour être utilisée en version filtrante avec recyclage d'air.

Les fumées et les vapeurs de la cuisson sont aspirées à l'intérieur de la hotte, filtrées et purifiées en passant au travers de filtre(s) à graisse et de filtre(s) au charbon dont la hotte DOIT être pourvue.

3. INSTALLATION

L'installation, aussi bien électrique que mécanique doit être effectuée par du personnel qualifié.

Ne coupez pas une solive ou un montant à moins qu'il soit absolument nécessaire de le faire. Si vous devez couper une solive ou un montant, vous devez construire un cadre de soutien.

La quincaillerie fournie permet de fixer la hotte à la plupart des murs et des plafonds.

Vous devez cependant demander à un technicien qualifié de vérifier la solidité des matériaux selon le type de mur ou de plafond.

La quincaillerie fournie permet de fixer la hotte à la plupart des murs et des plafonds.

Vous devez cependant demander à un technicien qualifié de vérifier la solidité des matériaux selon le type de mur ou de plafond.

Avant de couper, assurez-vous qu'il y a un dégagement suffisant dans le plafond ou le mur pour passer la conduite de sortie.

Vous pouvez déterminer vous-même la hauteur à laquelle vous installez la hotte au dessus de la cuisinière.

ATTENTION: POUR L'INSTALLATION DES CUISINIÈRES A GAZ: METTEZ LA HOTTE AFIN D'AVOIR ENTRE LE BORD INFÉRIEUR DE LA HOTTE ET LE PLAN DE CUISSON UNE DISTANCE DE 30" (76,2 CM).

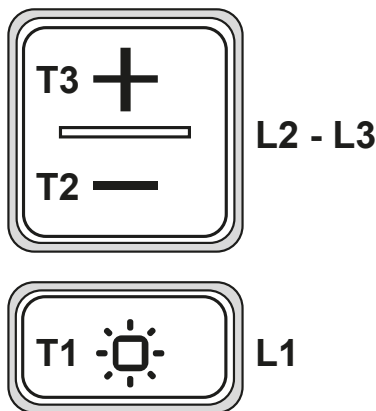
POUR DES CUISINIÈRES ÉLECTRIQUES: LA DISTANCE ENTRE LE BORD INFÉRIEUR DE LA HOTTE ET LE PLAN DE CUISSON NE DOÏT PAS ÊTRE INFÉRIEURE DE 30" (76,2 CM) ET SUPÉRIEURE DE 30" (76,2 CM). EMPLOI DOMESTIQUE. LIRE ATTENTIVEMENT LE LIVRET INSTRUCTIONS POUR DES APPLICATIONS SPÉCIFIQUES.

Si les instructions d'installation du dispositif de cuisson au gaz spécifient une plus grande distance, il faut en tenir compte.

Vérifiez donc la hauteur de votre plafond et la hauteur maximum de la hotte avant de choisir votre modèle de hotte.

Reportez-vous aux dernières pages de ce manuel pour les instructions d'installation et le raccordement électrique.

4. FONCTIONNEMENT



T1. Bouton ON/OFF lumières

T2. Bouton de diminution de la vitesse (puissance) d'aspiration

OFF 1: appuyez plusieurs fois pour diminuer la vitesse jusqu'à désactiver la hotte

OFF 2 : à toute vitesse, maintenez appuyé longtemps

T3. Bouton ON/ augmentation de la vitesse (puissance) d'aspiration (**1-2-3-Intensive**) / Minuteur (Timer)

La **vitesse intensive** a une durée d'environ 5 minutes, puis la vitesse **3** est automatiquement réglée.

Pour programmer l'arrêt automatique (**Minuterie**) appuyer longtemps; le temps d'arrêt varie en fonction de la vitesse réglée:

Vitesse 1: 20 minutes

Vitesse 2: 15 minutes

Vitesse 3: 10 minutes

Vitesse intensive: 5 minutes

Indicateur de saturation filtres

La hotte indique quand il est nécessaire d'effectuer l'entretien des filtres:

Filtre à graisse (toutes les 40 heures d'utilisation): toutes les LED avec lumière rouge

Filtre odeur à charbon actif (toutes les 160 heures de fonctionnement): toutes les LED avec lumière rouge, les LEDs L2 et L3 clignotent

Reset saturation filtres

Après avoir effectué l'entretien des filtres, appuyez et maintenez les boutons **T1** et **T3**, les LEDs **L1**, **L2** et **L3** clignotent brièvement en rouge et puis s'éteignent définitivement.

Activation indicateur saturation filtre odeurs à charbon actif

Cet indicateur est normalement désactivé. Pour l'activer procédez comme suit:

Avec la hotte éteinte, appuyez et maintenez pendant une longue période **T1** et **T2** simultanément: d'abord s'allume **L1** puis **L2** et **L3** aussi, ensuite, quand les touches sont relâchées, les LEDs **L2** et **L3** clignotent brièvement pour indiquer l'activation réussie.

Désactivation LED saturation du filtre à charbon:

répétez l'opération ci-dessus, d'abord s'allument simultanément les led **L1**, **L2** et **L3** et puis uniquement **L1**, ensuite, quand les touches sont relâchées, s'allument de nouveau les LED **L1**, **L2** et **L3**, pour indiquer la désactivation réussie.

5. ENTRETIEN

• **Nettoyage** : Pour le nettoyage, utiliser exclusivement un chiffon imbibé de nettoyant liquide neutre. Ne pas utiliser d'ustensiles ni d'instruments de nettoyage.

• Éviter l'usage de produits à base d'agents abrasifs. NE PAS UTILISER D'ALCOOL !

L'écran vapeurs doit toujours rester fermé et doit être ouvert uniquement en cas d'entretien (par ex: nettoyage ou remplacement des filtres).

• **XA** Entretien des Filtres à graisse :

Il retient les particules de graisse dérivantes de la cuisson.

Il doit être nettoyé une fois par mois (ou quand l'indicateur de saturation des filtres l'indique), avec des détergents non agressifs, à la main ou au lave-vaisselle à basse température et cycle rapide. Avec le lavage au lave-vaisselle, le filtre anti-graisse métallique peut décolorer mais ses caractéristiques de filtrage restent les mêmes.

• **XB** Filtre au charbon actif lavable (uniquement pour version filtrante) :

le filtre à charbon peut être lavé tous les deux mois (ou quand le système d'indication de saturation des filtres - si prévu sur le modèle possédé - indique ce besoin). Comme indiqué dans la section des dessins : enlever les filtres à graisse, enlever le filtre à charbon et laver avec de l'eau chaude et des nettoyants adéquats ou au lave-vaisselle à 65°C (en cas de lavage au lave-vaisselle, effectuer le cycle de lavage complet sans vaisselle à l'intérieur). Éliminer l'excès d'eau sans abimer le filtre, puis le placer au four pendant 10 minutes à 100°C pour le sécher définitivement. Remettre les filtres à graisse.

Remplacer le tapis tous les 3 ans et chaque fois qu'il est abimé.

Éclairage du plan de cuisson

• Le système d'éclairage est basé sur la technologie LED. Les LED fournissent un éclairage optimal, durent jusqu'à 10 fois plus longtemps que les ampoules classiques et permettent d'économiser 90 % d'électricité.

• **Système d'Éclairage** : Le système d'éclairage ne peut pas être remplacé par l'utilisateur ; en cas de dysfonctionnement, contacter le service d'assistance.

Garantie

GARANTIE DE DEUX ANS *ELICA North America*

ELICAMEX S.A. de C.V. Dirección: Av. La Noria No. 102 int. S/N, Col. Parque Industrial Querétaro Del. Santiago de Querétaro, C.P. 76215 Querétaro, R.F.C. ELI060102RK8

POUR OBTENIR UN DEPANNAGE SOUS GARANTIE

Le propriétaire doit présenter une preuve de la date d'achat. Garder une copie de votre preuve d'achat datée (ticket de caisse) de façon à pouvoir bénéficier du service après-vente sous garantie.

GARANTIE PIECES DE RECHANGE ET MAIN D'OEUVRE

Pendant une période de deux (2) ans à partir de la date d'achat, Elica s'engage à fournir gratuitement les pièces de rechange

ou les composants autres que les recharges ayant des défauts de fabrication.

Durant cette garantie de deux (2) ans, Elica fournira également gratuitement, toute la main d'oeuvre et le service à domicile

pour remplacer d'éventuelles pièces défectueuses.

CE QUE LA GARANTIE NE COUVRE PAS

- Dégât ou panne du produit causé par un accident ou un cas de force majeure tels que inondation, incendie ou tremblement de terre.
- Dégât ou panne du produit causé par modification du produit ou utilisation de pièces pas d'origine.
- Dégât ou panne du produit causé lors de la livraison, de la manipulation ou de l'installation.
- Dégât ou panne du produit causé par une mauvaise utilisation.
- Dégât ou panne du produit causé par un remplacement des fusibles ou une remise en fonction des disjoncteurs par le propriétaire.
- Dégât ou panne du produit causé par une utilisation du produit pour raison commerciale.
- Déplacement à domicile pour explication d'utilisation ou d'entretien.
- Ampoules, filtres métalliques ou au charbon et toute autre pièce consommable.
- Usure normale.
- Usure due à une mauvaise utilisation du propriétaire, un entretien incorrect, une utilisation de substances nettoyantes corrosives ou abrasives et produits de nettoyage pour four.

QUI EST COUVERT

Cette garantie s'étend à l'acheteur original de produits achetés pour un usage domestique habituel en Amérique du Nord (Y compris Etats Unis, Guam, Porto Rico, les Iles virgin Américaines & le Canada).

Cette garantie n'est pas transférable et vaut uniquement pour l'acheteur original et ne s'étend pas aux propriétaires successifs du produit. Cette garantie vaut expressément en lieu et place de toute autre garantie, expresse ou sous-entendue, mais ne limite pas toute autre garantie sous-entendue de marchandage ou adaptation dans un but particulier et toute autre obligation de la part de Elica North America, étant entendu, cependant, que si la réclamation pour garanties sous-entendues n'est pas applicable aux yeux de la loi en vigueur, la durée de toute garantie sous-entendue émanant de la loi doit être limitée à deux (2) ans à partir de la date d'achat du produit ou à une période plus longue selon ce que dit la loi en vigueur.

Cette garantie ne couvre pas tout dégât particulier, accidentel et/ou consécutif, ni les pertes et profits, à charge du propriétaire, des ses clients et/ou des utilisateurs Des produits.

QUI CONTACTER

Pour obtenir un service après-vente durant la garantie ou pour toute autre question:

- Elica North America Authorized Service - (714) 428-0046
- elica@servicepower.com
- *Artexa Mexico S.A. de C.V. / Cañon Grande #7720, Col. La Estanzuela, Monterrey, N.L., 64984, Mexico / telefono 81 8625 5000, whatsapp 55 3955 8770, email servicio@artexa.com*

1. INFORMACIÓN DE SEGURIDAD

INSTRUCCIONES DE SEGURIDAD IMPORTANTES

LEA Y GUARDE ESTAS INSTRUCCIONES

APROBADO PARA APARATOS DE USO DOMÉSTICO
SÓLO PARA USO DOMÉSTICO
LEA Y GUARDE ESTAS INSTRUCCIONES

ANTES DE CONTINUAR, LEA LAS INSTRUCCIONES POR COMPLETO.

LA INSTALACIÓN DEBE CUMPLIR TODA LA NORMATIVA LOCAL.

IMPORTANTE: guarde estas instrucciones para su uso por parte del inspector de electricidad local.

INSTALADOR: entregue al propietario estas instrucciones junto con la unidad.

PROPIETARIO: conserve estas instrucciones para futuras consultas.

Advertencia de seguridad: antes de realizar el cableado de este aparato, desactive el circuito de energía eléctrica en el panel de servicio y desbloquee el panel.

Requisito: Circuito auxiliar de 120V, 60 Hz, 15 ó 20 A

Quitar el embalaje

¡PRECAUCIÓN!

Quitar el cartón con cuidado, usar guantes para protegerse de los bordes agudos.

¡ADVERTENCIA!

Quitar la película protectora que cubre el producto antes de la puesta en operación.



Campana purificadora: EES320SS - EES320WT

Tensión asignada: 120 V~

Frecuencia: 60 Hz

Consumo de potencia: 460 W

Consumo de corriente: 3,8 A

Potencia máxima de la lámpara: 3x2,5 W LED

Contenido: 1 pieza.

Hecho en Italia

Fabricado por: Elica SPA

Importado por: ELICAMEX S.A. de C.V.

Dirección: Av. La Noria (Prolongación) No. 102, Col. Ampliación Parque Industrial Querétaro, Santa Rosa Jáuregui, C.P. 76215, Querétaro, México. R.F.C.

ELI060102RK8

Tel. 81 8625 5000 - Cel. 55 3955 8770

***** : las piezas marcadas con este símbolo son accesorios opcionales suministrados solo en algunos modelos o piezas no suministrables, pero que pueden comprarse.

⚠ Aviso de seguridad importante

PRECAUCIÓN

SÓLO PARA USO DE VENTILACIÓN GENERAL. NO UTILIZAR PARA EXPULSAR VAPORES O MATERIALES PELIGROSOS O EXPLOSIVOS.

ADVERTENCIA

PARA REDUCIR EL RIESGO DE FUEGO, DESCARGA ELÉCTRICA O LESIONES PERSONALES, RESPETE LO SIGUIENTE:

A. Utilice esta unidad solamente en el modo que indica el fabricante. En caso de duda, póngase en contacto con el fabricante.

B. Antes de reparar o limpiar la unidad, desconecte la alimentación en el panel de servicio y bloquee los medios de desconexión del panel de servicio para evitar la conexión accidental de la alimentación. Si no es posible bloquear los medios de desconexión del panel de servicio, coloque un dispositivo de advertencia que destaque como, por ejemplo, una etiqueta, en el panel de servicio.

ADVERTENCIA

PARA REDUCIR EL RIESGO DE FUEGO, DESCARGA ELÉCTRICA O LESIONES PERSONALES, RESPETE LO SIGUIENTE:

- A. La instalación y el cableado eléctrico deben realizarlos personas cualificadas de acuerdo con las normativas y los estándares aplicables, incluida la construcción ignífuga.
- B. Es necesaria una ventilación suficiente para la correcta combustión y expulsión de gases por la salida de humos (Chimenea) del equipo de combustión de carburante para evitar el contratiempo. Siga las directrices de fabricantes de equipos de calefacción y los estándares de seguridad como los publicados por la National Fire Protection Association (NFPA), American Society for Heating, Refrigeration and Air Conditioning Engineers (ASHRAE) y las normativas locales.
- C. Al efectuar orificios en una pared o techo, no dañe el cableado eléctrico y otras instalaciones ocultas.
- D. Los ventiladores de conducto utilizados para expulsar contaminantes deben ventilarse siempre al exterior.

ADVERTENCIA

PARA REDUCIR EL RIESGO DE FUEGO, UTILICE SOLAMENTE TUBOS METÁLICOS.

Instale esta campana de acuerdo con los requisitos especificados.

ADVERTENCIA

Para reducir el riesgo de fuego o descarga eléctrica, no utilice esta campana con ningún dispositivo externo en estado sólido para el control de la velocidad.

ADVERTENCIA

PARA REDUCIR EL RIESGO DE INCENDIO OCASIONADO POR GRASA:

- a) No deje nunca ninguna unidad externa desatendida y con valores de fuego altos. La cocción puede causar humo o reboses de grasa que pueden prender fuego. Caliente el aceite a fuego lento o medio.
- b) Limpie con frecuencia los ventiladores. No permita que la grasa se acumule en el ventilador o filtro.
- c) Utilice un tamaño de sartén adecuado. Utilice siempre piezas de batería de cocina adecuadas al tamaño del elemento de superficie.

ADVERTENCIA

PARA REDUCIR EL RIESGO DE LESIONES PERSONALES, EN CASO DE FUEGO OCASIONADO POR GRASA, TENGA EN CUENTA LO SIGUIENTE:

- a) **EXTINGA LAS LLAMAS** con una tapa ajustada, una lámina para hacer galletas u otro tipo de bandeja metálica y apague el quemador de gas o elemento eléctrico. **TENGA CUIDADO PARA EVITAR QUEMADURAS.** Si las llamas no se extinguen inmediatamente, **DESALOJE EL LUGAR Y LLAME A LOS BOMBEROS.**

b) **NUNCA TOME UNA SARTÉN EN LLAMAS**, podría sufrir quemaduras.

c) **NO UTILICE AGUA**, incluidas bayetas o toallas húmedas ya que se produciría una violenta explosión de vapor.

d) Utilice un extintor **SÓLO** si:

- 1) Sabe que dispone de un extintor de la clase ABC y conoce su funcionamiento.
- 2) El fuego es pequeño y se encuentra en la misma zona donde se inició.
- 3) Ha llamado a los bomberos.
- 4) Puede luchar contra el fuego teniendo una salida a su espalda.

Según los "Consejos para la Seguridad Antincendio en Cocina", publicado por NFPA.

ADVERTENCIA

PARA REDUCIR EL RIESGO DE INCENDIO, DESCARGA ELÉCTRICA O LESIONES A LAS PERSONAS, NO UTILICE PIEZAS DE RECAMBIO QUE NO HAYAN SIDO RECOMENDADAS POR EL FABRICANTE (POR EJEMPLO, PIEZAS HECHAS EN CASA UTILIZANDO UNA IMPRESORA 3D).

FUNCIONAMIENTO

Coloque siempre las rejillas y los filtros de seguridad en su lugar correspondiente. Sin estos componentes, los ventiladores en funcionamiento podrían atrapar su pelo, sus dedos o su ropa.

El fabricante declina toda responsabilidad en caso de fallo de cumplimiento de las instrucciones aquí facilitadas para la instalación, el mantenimiento y el uso adecuado del producto. El fabricante declina además toda responsabilidad por daños ocasionados por negligencia y la garantía de la unidad queda cancelada automáticamente como consecuencia de un mantenimiento incorrecto.

- Este aparato no se destina para utilizarse por personas (incluyendo niños) cuyas capacidades físicas, sensoriales o mentales sean diferentes o estén reducidas, o carezcan de experiencia o conocimiento a menos que dichas personas reciban una supervisión o capacitación para el funcionamiento del aparato por una persona responsable de su seguridad.
- Los niños deben supervisarse para asegurar que ellos no empleen los aparatos como juguete.
- No flamear alimentos bajo la campana de cocina
- Debe haber una ventilación adecuada en el cuarto, cuando la campana de cocina se utiliza al mismo tiempo que los aparatos que consumen gas u otros combustibles. (NO APLICA PARA CAMPANAS QUE ÚNICAMENTE SON RECIRCULANTES)
- Existe el riesgo de fuego, si la limpieza no se realiza de acuerdo con las instrucciones.

- El aire de descarga no debe enviarse a través de un conducto que se utilice para evacuar los humos de los aparatos que consumen gas u otros combustibles. (NO APLICA PARA CAMPANAS QUE UNICAMENTE SON RECIRCULANTES).
- Deben de cumplirse las regulaciones que se relacionen con la evaluación de la descarga de aire
- En caso de que su cordón de alimentación llegue a sufrir un daño parcial o total no trate de repararlo acuda al centro de servicio marcado en su garantía o bien con un técnico especialista para su sustitución.
- **ADVERTENCIA:** La mala colocación de los tornillos o artefactos de montaje o sujeción de acuerdo a estas instrucciones puede traer consigo peligros eléctricos."
- **PRECAUCIÓN:** Las partes accesibles pueden calentarse cuando se utilizan los aparatos de cocción."

Requisitos eléctricos y de instalación

Requisitos eléctricos

IMPORTANTE

Respete todos los códigos y ordenanzas vigentes.

Es responsabilidad del cliente:

Contactar con un instalador eléctrico cualificado.

Para asegurarse de que la instalación eléctrica es adecuada y se ajusta al Código Eléctrico Nacional, ANSI/NFPA 70 - última edición*, o a las normas CSA C22.1-94, Código Eléctrico Canadiense, Parte 1 y C22.2 N.º.0-M91 - última edición** y a todos los códigos y ordenanzas locales.

Si los códigos lo permiten y se utiliza un cable de tierra separado, se recomienda que un electricista cualificado determine si la trayectoria de la tierra es adecuada.

INSTRUCCIONES PARA LA PUESTA A TIERRA

Este aparato debe ser conectado a tierra. En caso de cortocircuito eléctrico, la conexión a tierra reduce el riesgo de descargas eléctricas, proveyendo un cable de fuga para la corriente eléctrica.

ATENCIÓN – La inadecuada puesta a tierra puede causar un riesgo de descarga eléctrica.

Consultar a un electricista calificado en caso de mal interpretación de las instrucciones para la puesta a tierra o de dudas sobre el adecuamiento de la conexión a tierra.

No utilizar una prolongación. Si el cable de alimentación es demasiado corto, hacer instalar por un electricista calificado, un enchufe en proximidad del aparato.

No conecte a tierra una tubería de gas.

Consulte a un electricista calificado si no está seguro de que la campana extractora está correctamente conectada a tierra.

No tenga un fusible en el circuito neutro o de tierra.

IMPORTANTE

Guarde las instrucciones de instalación para que pueda utilizarlas el inspector eléctrico.

La campana debe estar conectada directamente al desconectador con fusible (O disyuntor) .

Las dimensiones de los cables deben ajustarse a los requisitos del Código Eléctrico Nacional ANSI/NFPA 70 - última edición*, o a las normas CSA C22.1-94, Código Eléctrico Canadiense Parte 1 y C22.2 N.º 0-M91 - última edición** y a todos los códigos y ordenanzas locales.

En cada extremo del conducto de alimentación (en el aparato y en la caja de conexiones) debe haber un conector de conducto listado por U.L. o C.S.A.

Es posible obtener copias de las normas enumeradas en:

* National Fire Protection Association Batterymarch Park Quincy, Massachusetts 02269

** CSA International 8501 East Pleasant Valley Road Cleveland, Ohio 44131-5575

El producto está destinado a la conexión directa al suministro de red, por lo tanto, coloque un interruptor bipolar de regulación que garantice la desconexión completa de la red en condiciones de sobretensión de categoría III, conforme a las normas de instalación.

Antes de instalar la campana

1. Para obtener una circulación del flujo de aire más eficaz, utilice un tubo de tramo recto o el menor número posible de tubos acodados. **PRECAUCIÓN:** el conducto de ventilación solamente debe tener salida hacia la parte exterior del edificio.
2. Para realizar la instalación, se necesitan al menos dos personas. Use guantes para protegerse contra los bordes afilados.
3. La campana se ajusta mediante material adecuados para la mayoría de superficies; consulte a un instalador cualificado para comprobar si quedan perfectamente ajustados al armario o a la pared.
4. No emplee tubos flexibles.
5. Las instalaciones en CONDICIONES CLIMÁTICAS FRÍAS deben tener instalado un regulador de contratiro adicional para minimizar el flujo de aire inverso y una rotura térmica no metálica para minimizar la conducción de temperaturas externas como parte de los tubos. El regulador debe encontrarse en la parte de aire frío de la rotura térmica. La rotura debe estar lo más cerca posible al lugar donde los tubos entran en la parte caliente de la casa.
6. Aire limpio: Las normativas locales para edificios pueden requerir el uso de sistemas de aire limpio cuando se utilizan sistemas de ventilación mediante tubos superiores al CFM especificado de movimiento de aire. El

CFM especificado varía de una zona a otra. Para conocer los requisitos específicos de su zona, consulte a un profesional de HVAC.

Toda ubicación de fijación debe extenderse hasta los pernos; de lo contrario proceda de la siguiente manera: Realice un corte en el tabique aislante a lo largo de las líneas marcadas. Instale lo necesario entre los pernos firmemente emparejados con la parte frontal del perno existente. Asegúrese de que los tornillos de montaje quedan anclados a los pernos agregados. Reemplace y renueve el acabado del tabique aislante.

Cuando se use en modo recirculante, Para reducir el riesgo de incendio y choque eléctrico, use sólo el kit de conversión modelo : Filtro de carbón.

2. USO

La campana fue realizada para ser utilizada en la versión filtrante con recirculación interna.

El humo y el vapor de la cocción vienen aspirados en el interno de la campana, filtrados y depurados pasando a través de el/los filtros de grasa y el/los filtros de carbón que DEBE ser suministrados con la campana.

3. INSTALACION

La instalación, eléctrica o mecánica, debe ser realizada por personas especializadas.

No corte una vigueta o un perno a menos que sea absolutamente necesario. Si fuera necesario efectuar el corte, deberá construirse un marco de soporte.

Se suministra el material de ajuste necesario para fijar la campana a la mayoría de tipos de muro o techo.

No obstante, un técnico cualificado debe comprobar la idoneidad de los materiales de acuerdo con el tipo de muro o techo.

Se suministra el material de ajuste necesario para fijar la campana a la mayoría de tipos de muro o techo. No obstante, un técnico cualificado debe comprobar la idoneidad de los materiales de acuerdo con el tipo de muro o techo.

Antes de efectuar ningún corte, asegúrese de existe espacio libre adecuado en el techo o muro para la expulsión del aire.

La preferencia de la altura de instalación de la campana de los usuarios es por encima de la cocina.

PRECAUCION: PARA LA INSTALACION DE ESTUFAS DE GAS: INSTALE ESTA CAMPANA DE TAL MANERA QUE LA CORNISA INFERIOR SE ENCUENTRE A 30" (76,2 CM) SOBRE LA SUPERFICIE DE COCCION.

PARA LA INSTALACION DE ESTUFAS ELECTRICAS: INSTALE ESTA CAMPANA DE TAL MANERA QUE LA CORNISA INFERIOR SE ENCUENTRA A NO MENOS DE

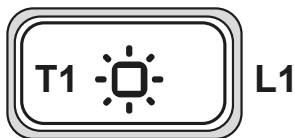
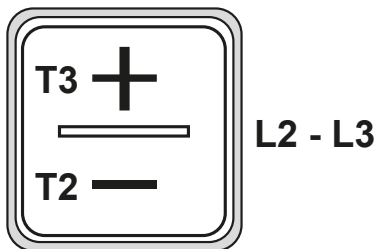
30" (76,2 CM) Y NO MAS DE 30" (76,2 CM) SOBRE LA SUPERFICIE DE COCCION. PARA USO ELECTRODOMESTICO. POR FAVOR, LEA EL MANUAL DE INSTALACION PARA UNA INSTALACION ESPECIFICA.

Si las instrucciones para la instalación del dispositivo para cocinar con gas especifican una distancia mayor, hay que tenerlo en consideración.

Antes de seleccionar la campana, compruebe la altura del techo y la altura máxima de la campana.

Consulte las últimas páginas de este manual para obtener instrucciones de instalación y conexión eléctrica.

4. FUNCIONAMIENTO



T1. Botón ON/OFF luces

T2. Botón disminución velocidad (potencia) de aspiración
OFF 1: presionar repetidamente para disminuir la velocidad hasta apagar la campana

OFF 2: a cualquier velocidad, mantener presionado

T3. Botón ON/aumento velocidad (potencia) de aspiración (1-2-3-Intensivo) / Timer

La velocidad intensiva tiene una duración de aproximadamente 5 minutos, después de la cual se activa automáticamente la velocidad 3.

Para programar el apagado automático (**Timer**) mantener presionado el botón;

El tiempo del apagado varía en base a la velocidad configurada :

Velocidad 1: 20 minutos

Velocidad 2: 15 minutos

Velocidad 3: 10 minutos

Velocidad intensiva: 5 minutos

Indicador de saturación filtros

La campana indica cuando es necesario realizar el mantenimiento de los filtros:

Filtro grasas (aproximadamente cada 40 horas de uso): todas las luces Led con luz roja.

Filtro olores a carbón activo (aproximadamente cada 160 horas de uso): todas las luces Led con luz roja, las luces led **L2 y L3** son intermitentes.

Reset saturación filtros

Después de haber realizado el mantenimiento de los filtros, mantener presionados los botones **T1 y T3**, las luces led **L1, L2 y L3** se encienden intermitentemente en rojo y luego se apagan definitivamente.

Activación indicador saturación filtro olores a carbon activo

Este indicador está normalmente desactivado. Para activarlo proceder como a continuación: **Con la campana apagada** presionar y mantener presionados contemporáneamente **T1 y T2**: primero se enciende **L1** y luego **L2 y L3** después de lo cual y liberando los botones, las led **L2 y L3** se encienden intermitentemente brevemente para indicar la activación realizada.

Desactivación LED saturación filtro carbón: repetir la operación descrita anteriormente, primero se encienden contemporáneamente las luces led **L1, L2 e L3** luego solo **L1**, después de lo cual y liberando los botones, se encienden nuevamente las luces led **L1, L2 y L3** para indicar la activación realizada.

5. MANTENIMIENTO

- **Limpieza:** Para la limpieza use exclusivamente un paño humedecido con detergentes líquidos neutros. No utilice herramientas o instrumentos para la limpieza.
- No utilice productos que contienen abrasivos. ¡NO UTILICE ALCOHOL!

La pantalla vapores siempre debe dejarse cerrada y sólo debe abrirse en caso de mantenimiento (ej. Limpieza o sustitución de los filtros).

• ✕A Mantenimiento Filtros de grasa:

Retiene las partículas de grasa procedentes de la cocción.

Se debe limpiar una vez al mes (o cuando el sistema de indicación de saturación de filtros indica dicha necesidad), con detergentes no agresivos, manualmente o bien en el lavavajillas con un programa breve y a baja temperatura. Cuando el filtro metálico de grasa se lava en el lavavajillas puede decolorarse pero ello no afecta de ninguna manera sus características de filtrado.

• ✕B Filtro de carbón activado lavable (solo para la versión filtrante):

el filtro de carbón puede lavarse cada dos meses (o cuando el sistema de indicación de saturación de los filtros - si está previsto en su modelo - indique esta necesidad). Como se indica en la sección de dibujos: quite los filtros de grasa, retire el filtro de carbón y lave en agua caliente y detergentes adecuados o en un lavavajillas a 65°C (cuando lo lave en un lavavajillas, realice el ciclo de lavado completo sin la vajilla dentro). Elimine el exceso de agua sin dañar el filtro y, a continuación, introdúzcalo en el horno durante 10 minutos a 100°C para secarlo. Sustituya los filtros de grasas.

Sustituya la alfombrilla cada 3 años y siempre que la tela esté dañada.

Iluminación

- El sistema de iluminación está basado en la tecnología LED. Los LED garantizan una iluminación óptima, con una duración hasta 10 veces mayor que las lámparas tradicionales y permiten ahorrar el 90% de energía eléctrica.
- **Sistema de Iluminación :** El sistema de iluminación no es sustituible por el usuario, en caso de mal funcionamiento póngase en contacto con el servicio de asistencia técnica.

Garantía

ELICA North America GARANTIA LIMITADA DE DOS AÑOS.

ELICAMEX S.A. de C.V. Dirección: Av. La Noria No. 102 int. S/N, Col. Parque Industrial Querétaro Del. Santiago de Querétaro, C.P. 76215 Querétaro, R.F.C. ELI060102RK8

PARA OBTENER SERVICIO DENTRO DE GARANTIA.

El propietario debe presentar su recibo original de la compra. Guarde por favor una copia de su recibo de compra como prueba, para recibir el servicio dentro del periodo de garantía.

PARTES Y GARANTIA DE SERVICIO.

Por el periodo de (2) dos años desde la fecha original de la compra, Elica proveerá, gratuitamente, partes no-consumibles o componentes que hayan fallado debido a defectos de fabricación. Durante estos (2) años de garantía limitada, Elica también proveerá gratuitamente, todo el servicio en casa y mano de obra necesaria para reemplazar cualquier parte defectuosa.

QUE NO ESTA CUBIERTO

- Daños o fallas del producto causados por accidente o actos de Dios, tales como inundaciones incendios o terremotos.
- Daños o fallas causadas por alteración del producto o por el uso de partes no-originales.
- Daños o fallas del producto causados durante la entrega, manejo o instalación.
- Daños o fallas del producto causados por abuso del usuario.
- Daños o fallas del producto causados por reemplazo de fusibles dañados o reseteo de interruptor de circuito.
- Daño o fallas causados por el uso del producto en un ambiente comercial (no doméstico).
- Viajes de servicio debidos a dudas sobre el uso o instalación del producto.
- Bombillas, filtros de carbón o metal y cualquier otra parte consumible.
- Desgaste normal.
- Desgaste terminal debido a abusos del usuario, mantenimiento inadecuado, uso de productos / toallas de limpieza corrosivos o abrasivos y por uso de limpiadores para hornos.

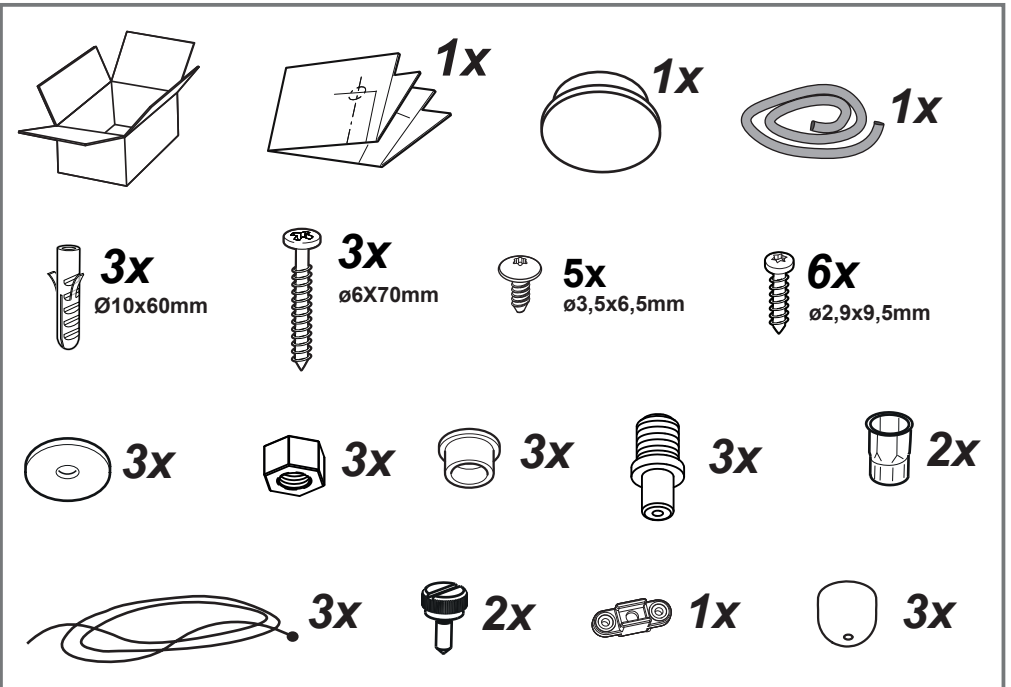
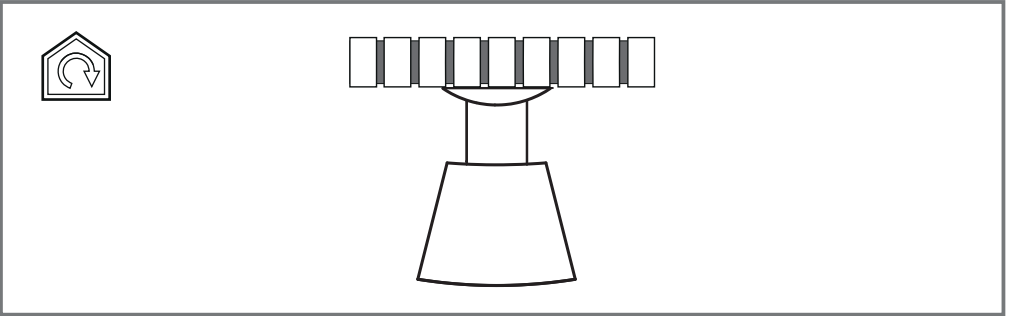
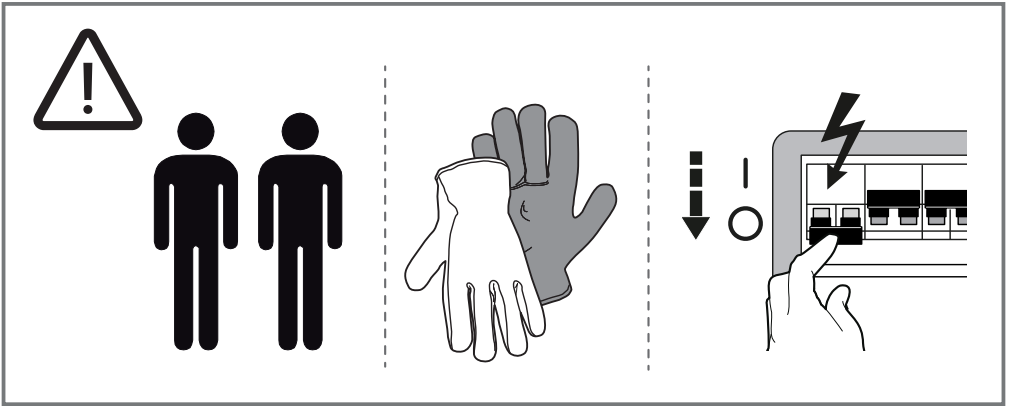
QUIEN ESTA CUBIERTO

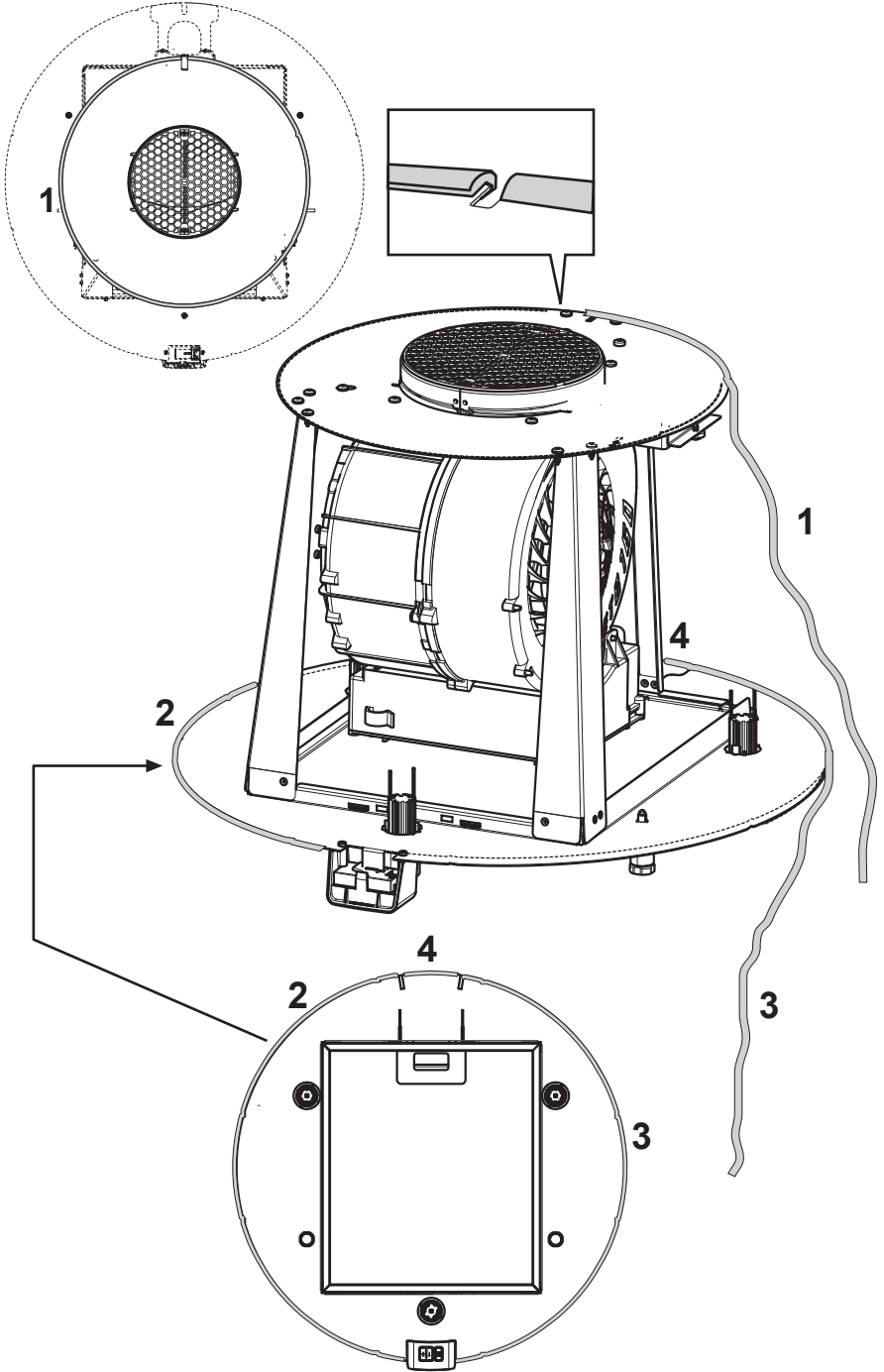
Esta garantía se extiende al comprador original de productos adquiridos para uso residencial en Norte América (incluyendo Estados Unidos, Guam, Puerto Rico, Islas Vírgenes de USA y Canadá). Esta garantía no es transferible y aplica solamente al comprador original y no se extiende a propietarios subsecuentes del producto. Esta garantía se expresa en lugar de otras garantías, expresadas o implicadas, incluyendo, pero no limitada a ninguna garantía implicada de comercialización o adaptada para propósitos particulares y cualquier otra obligación por parte de Elica North America, considerando, sin embargo, que si la negación de garantías implícitas es inefectiva bajo la ley aplicable, la duración de cualquier garantía implícita será limitada a dos (2) años desde la fecha original de compra o por el periodo necesario como sea requerido por la ley aplicable. Esta garantía no cubre cualquier daño especial, incidental y/o consecuente, ni pérdidas de ganancias, sufridas por el comprador original, sus clientes y/o usuarios del producto.

A QUIEN CONTACTAR

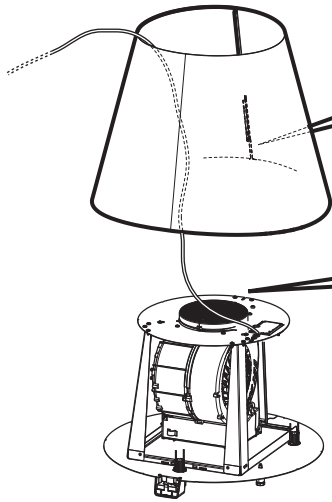
Para obtener servicio bajo garantía o para cualquier pregunta relacionada a servicio.

- Servicio Autorizado de Elica North America - (714) 428-0046
- elica@servicepower.com
- *Artexa Mexico S.A. de C.V. / Cañon Grande #7720, Col. La Estanzuela, Monterrey, N.L., 64984, Mexico / telefono 81 8625 5000, whatsapp 55 3955 8770, email servicio@artexa.com*

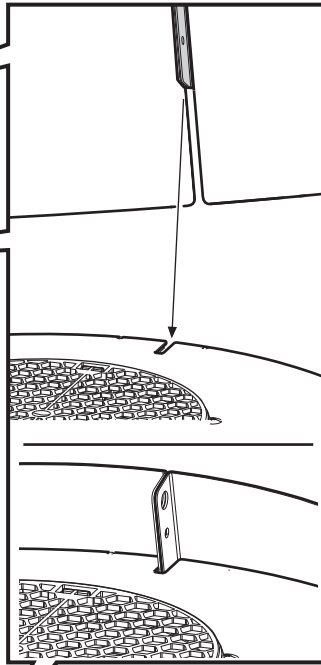




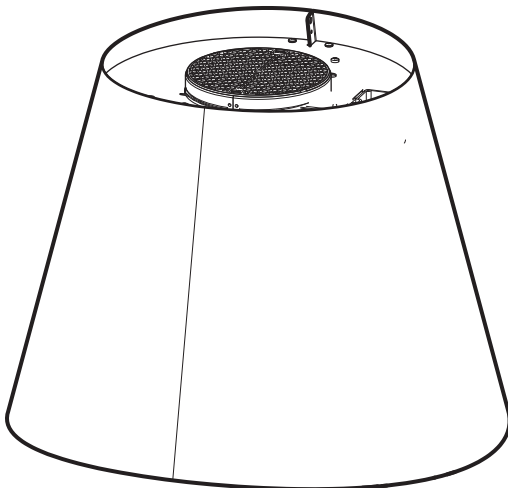
1

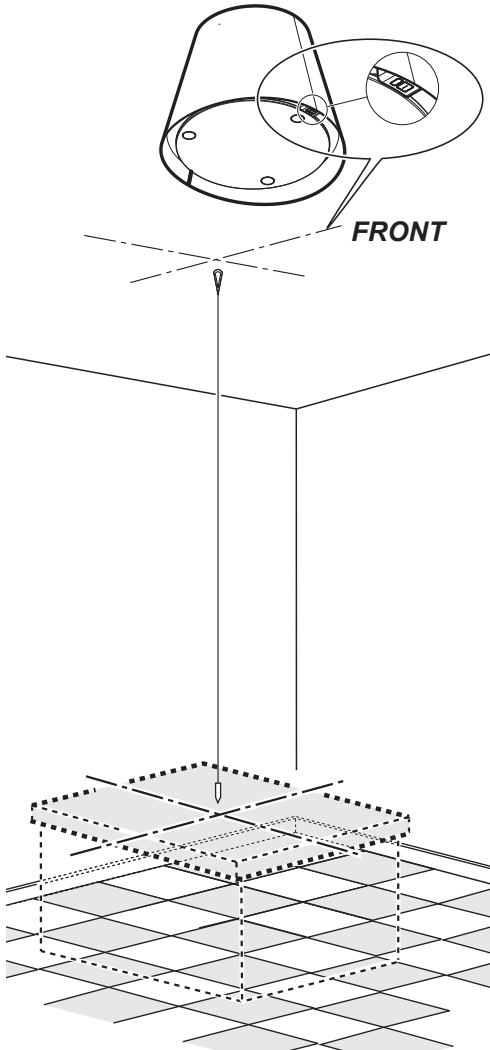


2



3





Note: Take into consideration the hood depth; the hood could be much deeper than the cooktop.

- a. Mark center lines of cooktop or range on ceiling above. Use centerlines marked on ceiling to position the mounting template. Note location of hood front (that indicated with a printed arrow), side, and mounting holes indicated on template.

Note: Remember that printed arrow on template corresponds to front of the hood and consequently to side where control panels will be located at the end of installation).

Note : Tenez compte de la profondeur de la hotte; la hotte peut être beaucoup plus profonde que la surface de cuisson.

- a. Marquez les lignes de centre de la surface de cuisson ou de la cuisinière au plafond, au-dessus de l'appareil. Utilisez ces lignes de centre au plafond pour positionner le modèle de montage. Notez sur le modèle l'emplacement de l'avant (indiqué avec une flèche) et des côtés de la hotte, ainsi que des ouvertures de montage.

Note : Souvenez-vous que la flèche sur le modèle représente l'avant de la hotte et, donc, le côté où sera installé le panneau de commandes une fois l'appareil installé.

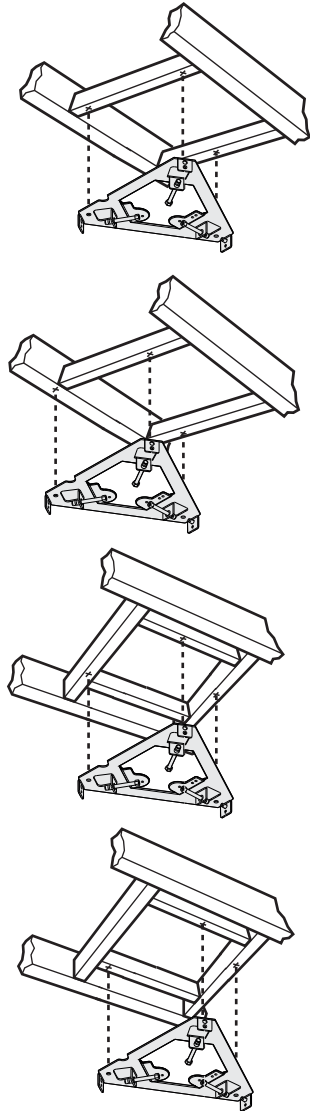
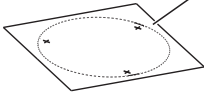
Nota: tenga en cuenta la profundidad de la campana; es posible que la campana tenga una mayor profundidad que la cocina.

- a. Marque las líneas centrales de la cocina o de la campana en el techo. Utilice las líneas centrales marcadas en el techo para colocar la plantilla de montaje. Observe que en la plantilla se indican la ubicación de la parte delantera de la campana (mediante una flecha), el lateral y los orificios de montaje.

Nota: no olvide que la flecha impresa en la plantilla corresponde a la parte delantera de la campana y, por lo tanto, al lateral donde se colocarán los paneles de control al final de la instalación).

Ceiling
Plafond
Techo

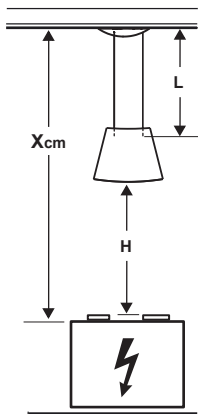
Template
Modèle
Plantilla



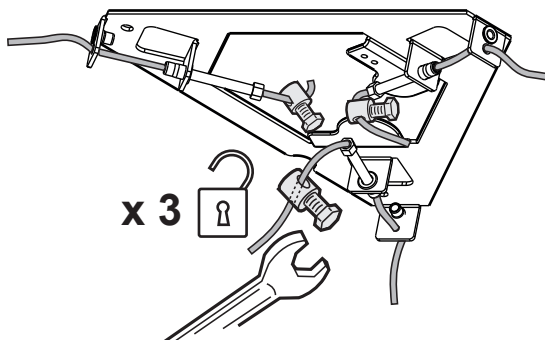
- b. Remove and save template. Cut and remove ceiling drywall. Install suitable length 2" x 4" lumber between joists to provide support bracket mounting points as shown above. Use template for dimensions and required clearance.
Make sure to affix the added lumber firmly and level. Consult a professional if you have difficulties or your installation is unique. Consult template and Figs. above.
- c. Install drywall; then refinish ceiling.
Determine the required position for the conduit and cut a 1-1/4" (3.2 cm) hole at this location.
Run wires through hole according to the National Electrical Code or CSA Standards and local codes and ordinances.
- d. Tape Template in place and mount the support bracket with wood screws (Supplied in mounting hardware kit) on locations marked on template, then remove template.

- b. Enlevez le modèle et conservez-le. Pratiquez une ouverture dans la cloison sèche. Installez un 2 po x 4 po de longueur adéquate entre les montants, qui constituera les points de montage de le support de fixation, comme il est indiqué ci-dessus. Pour connaître les dimensions et le dégagement nécessaire, utilisez le modèle.
Assurez-vous de fixer la pièce de bois solidement et à niveau. Si vous avez des difficultés ou que votre installation comporte des problèmes particuliers, consultez un professionnel. Consultez le modèle et les illustrations ci-dessus.
- c. Installez une cloison sèche, puis terminez la finition du plafond.
Déterminez la position nécessaire pour le conduit et coupez une ouverture de 1-1/4 po (3,2 cm) à cet endroit. Passez les fils à cet endroit en respectant les normes du code national de l'électricité ou de la CSA, ainsi que les codes et les ordonnances en vigueur dans votre région.
- d. Fixez le support de fixation à l'aide de vis à bois (Fournies dans la trousse de quincaillerie de montage) sur les marques tracées sur le modèle, puis enlevez le modèle.

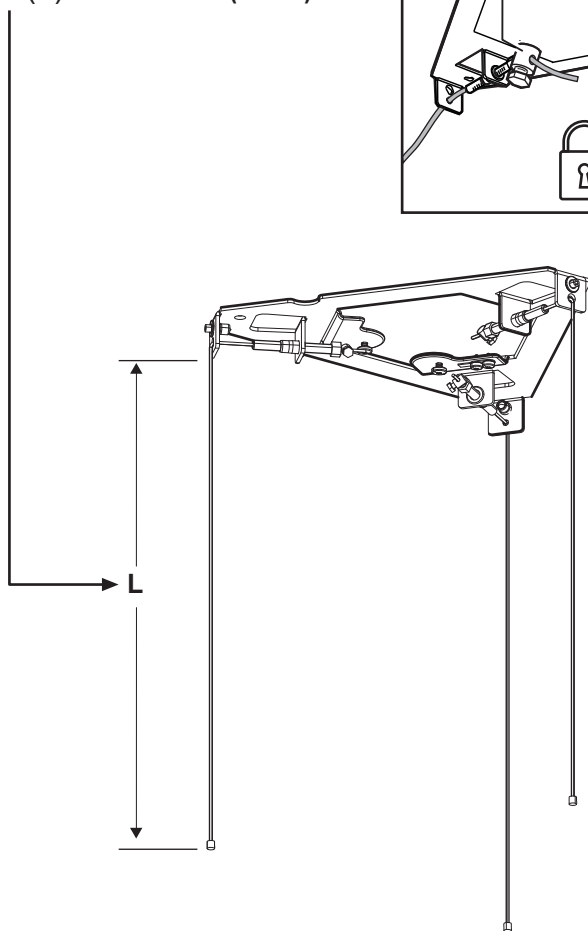
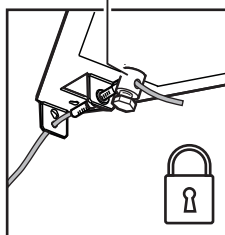
- b. Eliminar y guardar la plantilla. Cortar y retirar los paneles de yeso del techo. Instalar las tablas de madera de 2" x 4" de longitud adecuada entre las viguetas para proporcionar puntos de montaje de los soportes como se muestra arriba. Utilizar la plantilla para las dimensiones y el espacio libre requerido.
Asegurarse de fijar la madera añadida de forma firme y nivelada. Consultar con un profesional si tiene dificultades o su instalación es única. Consultar la plantilla y las figuras anteriores.
- c. Instalar paneles de yeso; luego pintar de nuevo el techo. Determinar la posición requerida para el conducto y cortar un agujero de 1-1/4" (3,2 cm) en esta ubicación. Pasar los cables por el agujero de acuerdo con el Código Eléctrico Nacional o las normas CSA y los códigos y ordenanzas locales.
- d. Fijar la plantilla con cinta adhesiva y montar el soporte con tornillos para madera (suministrados en el kit de accesorios de montaje) en los lugares marcados en la plantilla, luego retirar la plantilla.

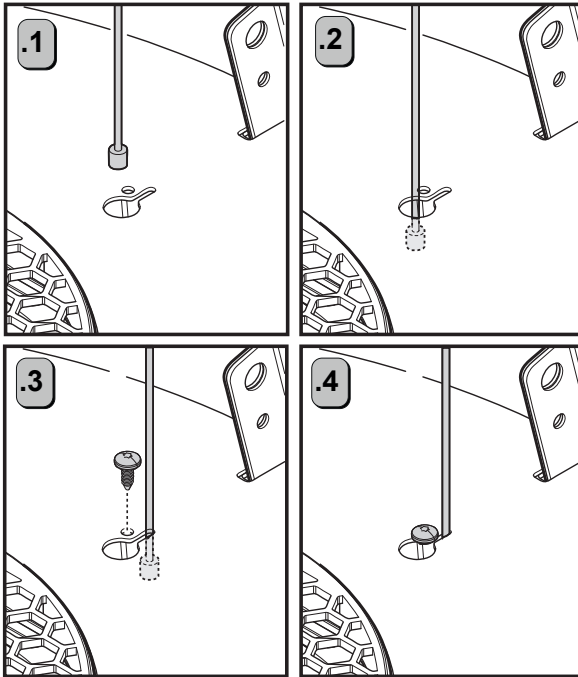
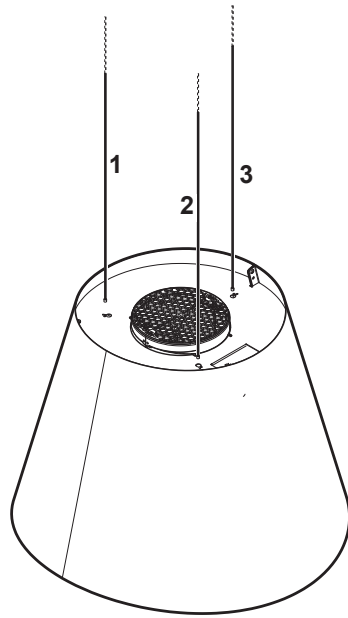


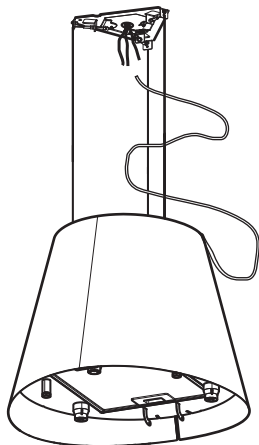
$L (\cong) = X - H - 1 \frac{7}{16}'' (36\text{cm})$



STOP! ⚠ x 3

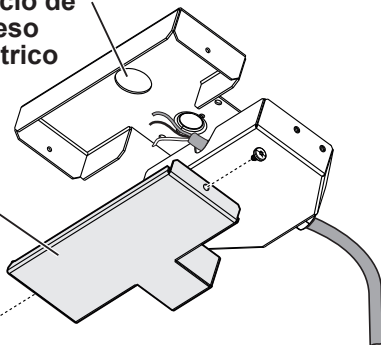






electrical
access hole
Accès au
circuit électrique
orificio de
acceso
eléctrico

j-Box
cover
Couvercle
de boîte de
jonction
Cubierta de
la j-Box



WARNING

Electrical Shock Hazard

Warning: Turn off power circuit at the service panel before wiring this unit.

120 VAC, 15 or 20 Amp circuit required.

ELECTRICAL GROUNDING INSTRUCTIONS

THIS APPLIANCE IS FITTED WITH AN ELECTRICAL JUNCTION BOX WITH 3 WIRES, ONE OF WHICH (GREEN/YELLOW) SERVES TO GROUND THE APPLIANCE. TO PROTECT YOU AGAINST ELECTRIC SHOCK, THE GREEN AND YELLOW WIRE MUST BE CONNECTED TO THE GROUNDING WIRE IN YOUR HOME ELECTRICAL SYSTEM, AND IT MUST UNDER NO CIRCUMSTANCES BE CUT OR REMOVED.

Failure to do so can result in death or electrical shock.

Remove the Junction box cover and install the conduit connector (cULus listed) in junction box.

AVERTISSEMENT

Danger de choc électrique

AVERTISSEMENT : Coupez l'alimentation du circuit dans le panneau électrique avant de raccorder les fils de cet appareil.

Un circuit de 120 V c.a., de 15 ou 20 A est requis.

INSTRUCTIONS DE MISE À LA TERRE

CET APPAREIL EST MUNI D'UNE BOÎTE DE JONCTION ÉLECTRIQUE À TROIS FILS, DONT L'UN (VERT/JAUNE) SERT À METTRE L'APPAREIL À LA TERRE. POUR VOUS PROTÉGER CONTRE LES CHOCs ÉLECTRIQUES, VOUS DEVEZ RACCORDER LE FIL VERT/JAUNE AU FIL DE MISE À LA TERRE DU SYSTÈME ÉLECTRIQUE DE VOTRE MAISON. EN AUCUNE CIRCONSTANCE CE FIL DOIT ÊTRE COUPÉ OU ENLEVÉ.

Le fait de ne pas respecter cette directive peut entraîner la mort ou un choc électrique.

Retirez le couvercle de la boîte de jonction et installez un connecteur de canalisation (Listé dans cULus) dans la boîte de jonction.

ADVERTENCIA

Riesgo de descarga eléctrica

Advertencia: Desconectar el circuito de alimentación en el panel de servicio antes de cablear esta unidad. Se requiere un circuito de 120 VAC, 15 o 20 Amp.

INSTRUCCIONES DE PUESTA A TIERRA ELÉCTRICA

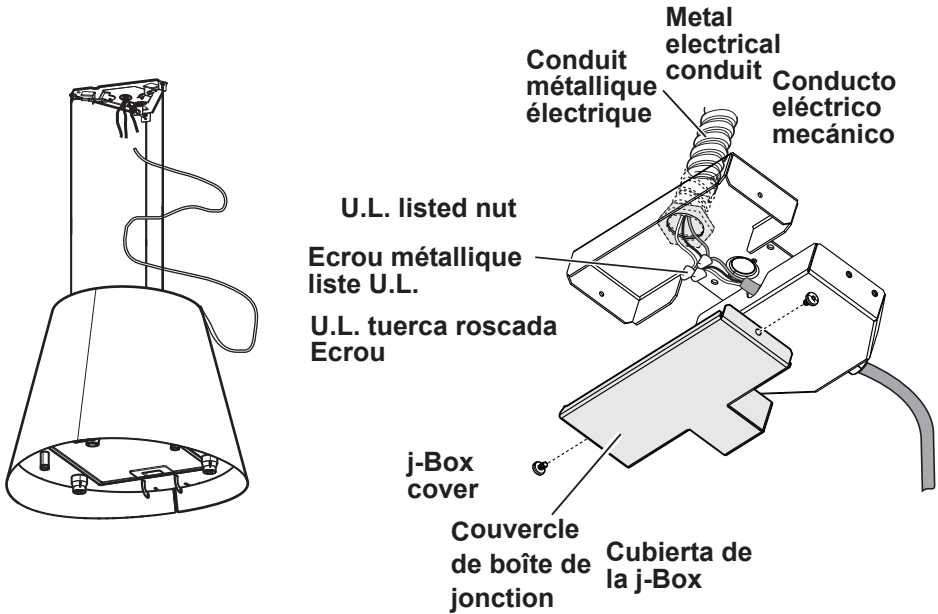
ESTE APARATO ESTÁ PROVISTO DE UNA CAJA DE CONEXIONES ELÉCTRICAS CON 3 CABLES, UNO DE LOS CUALES (VERDE/AMARILLO) SIRVE PARA LA PUESTA A TIERRA DEL APARATO. PARA PROTEGERLE CONTRA LAS DESCARGAS ELÉCTRICAS, EL CABLE VERDE Y AMARILLO DEBEN ESTAR CONECTADOS AL CABLE DE TIERRA DEL SISTEMA ELÉCTRICO DE SU CASA, Y EN NINGÚN CASO DEBEN CORTARSE NI RETIRARSE.

No hacerlo puede provocar la muerte o una descarga eléctrica.

Retirar la tapa de la caja de conexiones e instalar el conector de conductos (con certificación cULus) en la caja de conexiones.

9a

Electrical connection
Connexion électrique
Conexión eléctrica



Run 3 wires; black, white and green ,according to the National Electrical Code and local codes and ordinances, in 1/2" conduit from service panel to junction box.
 Connect black wire from service panel to black or red in junction box, white to white and green to green-yellow.
 Close and secure junction box cover.

Passez trois fils, le noir, le blanc et le vert, en respectant les normes du code national de l'électricité, ainsi que les codes et les ordonnances en vigueur dans votre région, dans un canalisation de 1/2 po, du panneau de service à la boîte de jonction.
 Raccordez le fil noir du panneau de service au fil noir ou rouge de la boîte jonction, le blanc avec le blanc et le vert avec le vert/jaune.
 Fermez le couvercle de la boîte de jonction.

Colocar 3 cables; negro, blanco y verde, de acuerdo con el Código Eléctrico Nacional y los códigos y ordenanzas locales, en un conducto de 1/2" desde el panel de servicio hasta la caja de conexiones.
 Conectar el cable negro del panel de servicio al negro o al rojo de la caja de conexiones, el blanco al blanco y el verde al verde-amarillo.
 Cerrar y asegurar la tapa de la caja de conexiones

9b

Electrical connection
 Connexion électrique
 Conexión eléctrica

Fix the junction box to the support bracket on the ceiling with 2 screws.

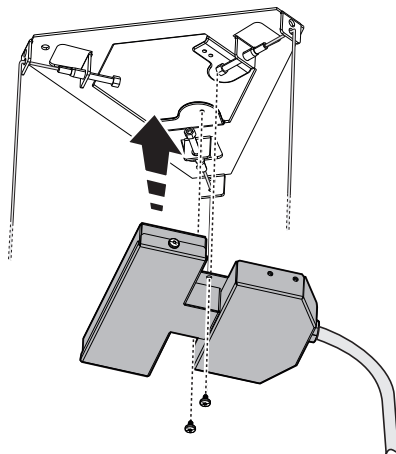
Important! Replacement of the interconnection cable must be carried out by the authorised after-sales technical service.

Fixez le boîte de jonction au support de fixation sur le plafond, à l'aide de 2 vis.

Attention ! Le remplacement du câble d'interconnexion ne peut être effectué que par un centre d'assistance technique agréé.

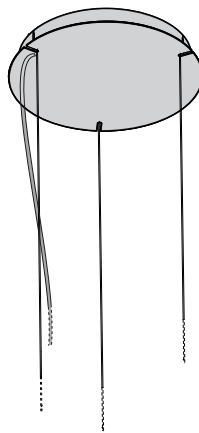
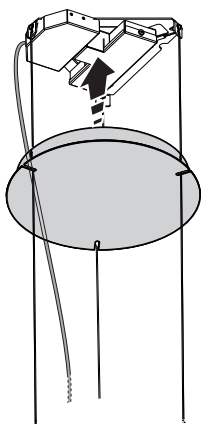
Fijar la caja de conexiones al soporte del techo con 2 tornillos.

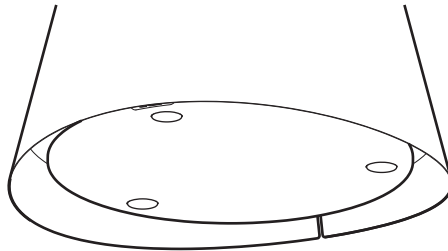
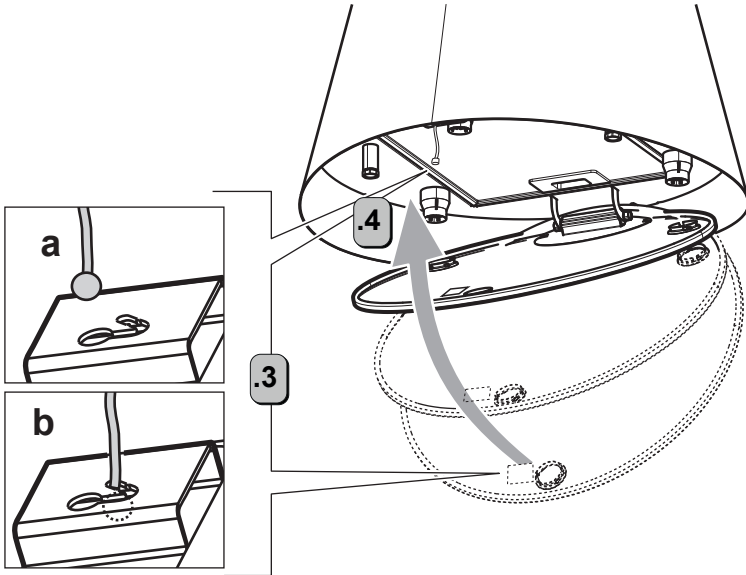
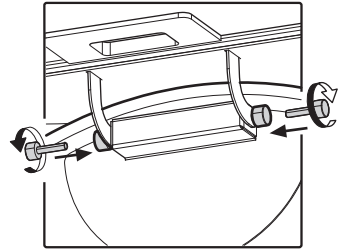
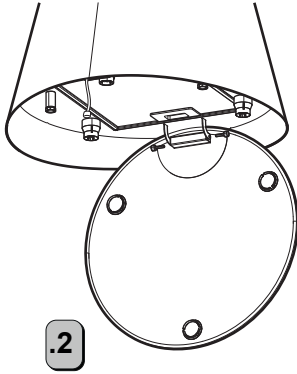
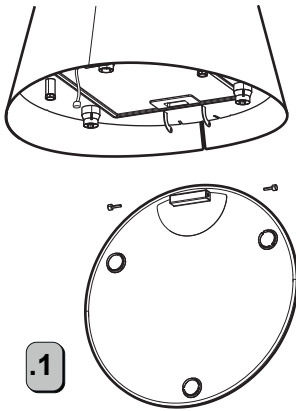
¡Importante! La sustitución del cable de interconexión debe ser realizada por el servicio técnico autorizado.



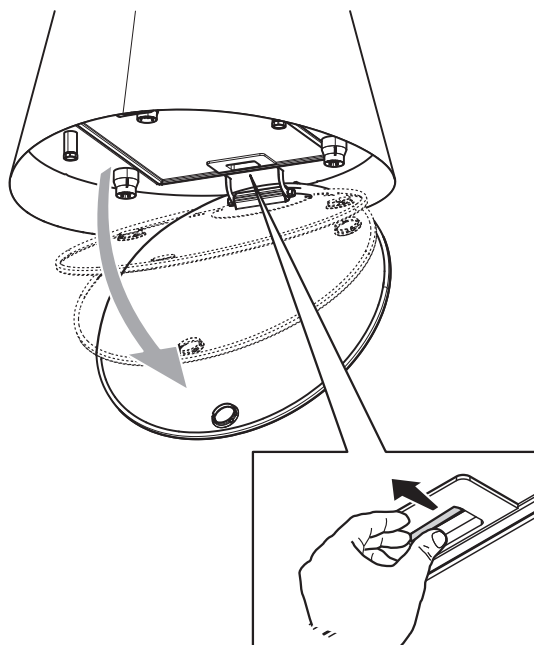
9b

Electrical connection
Connexion électrique
Conexión eléctrica

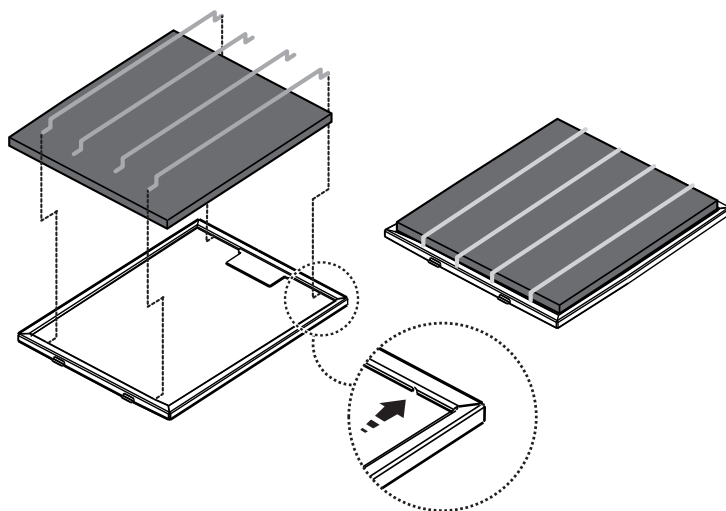




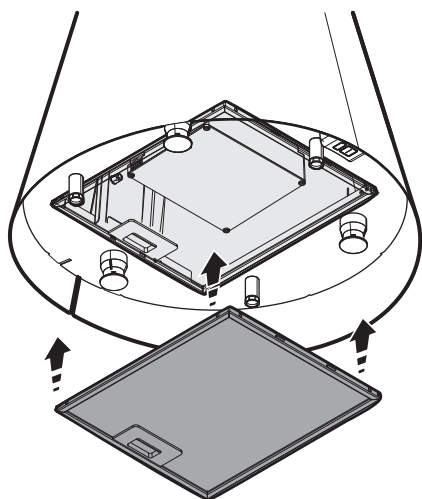
OK!



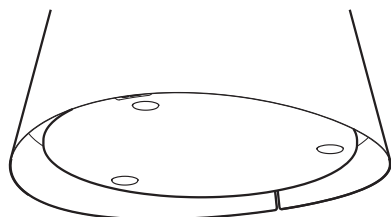
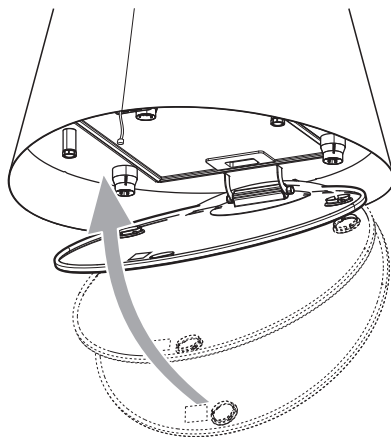
12



13



14



OK!

15

elica®



LIB0204651 Ed. 07/24