

EN Instruction on mounting and use
FR Prescriptions de montage et mode d'emploi
ES Montaje y modo de empleo

EIL640DW - EIL640WH

**READ AND SAVE THESE INSTRUCTIONS
LISEZ CES INSTRUCTIONS ET CONSERVEZ-LES
LEA Y GUARDE ESTAS INSTRUCCIONES**

**THIS MANUAL IS FOR USE ONLY IN USA AND CANADA
CE MANUEL EST UNIQUEMENT VALABLE AUX USA ET AU CANADA
ESTE MANUAL ES PARA USO EXCLUSIVO EN EE.UU. Y CANADÁ**

elica®

1. SAFETY INFORMATION

IMPORTANT SAFETY INSTRUCTION

READ AND SAVE THESE INSTRUCTIONS

APPROVED FOR RESIDENTIAL APPLIANCES
FOR RESIDENTIAL USE ONLY
READ AND SAVE THESE INSTRUCTIONS

PLEASE READ ENTIRE INSTRUCTIONS BEFORE PROCEEDING.

INSTALLATION MUST COMPLY WITH ALL LOCAL CODES.

IMPORTANT: Save these Instructions for the Local Electrical Inspector's use.

INSTALLER: Please leave these Instructions with this unit for the owner.

OWNER: Please retain these instructions for future reference.

Safety Warning: Turn off power circuit at service panel and lock out panel, before wiring this appliance.
Requirement: 120V, 60 Hz, 15 or 20 A Branch Circuit

Removing the packaging

CAUTION!

Remove carton carefully, Wear gloves to protect against sharp edges.

WARNING!

Remove the protective film covering the product before putting into operation.



Range Hood: EIL640DW - EIL640WH

Rated Voltage: 120 V~

Frequency: 60 Hz

Power consumption: 578 W

Current consumption: 4 A

Maximum lamp power: 2x 14 W

Number: 1 piece.

Made in Italy

Manufactured by: Elica SPA

Imported by : ELICAMEX S.A. de C.V.

Address: Av. La Noria (Prolongación) No. 102, Col. Ampliación Parque Industrial Querétaro, Santa Rosa Jáuregui, C.P. 76215, Querétaro, México. R.F.C.

ELI060102RK8

Tel. 81 8625 5000 - Cel. 55 3955 8770

* : the items marked with this symbol are optional accessories supplied only with some models or items that cannot be supplied but can be purchased.

Important Safety Notice

CAUTION

FOR GENERAL VENTILATING USE ONLY. DO NOT USE TO EXHAUST HAZARDOUS OR EXPLOSIVE MATERIALS OR VAPOURS.

WARNING

TO REDUCE THE RISK OF FIRE, ELECTRIC SHOCK, OR INJURY TO PERSONS, OBSERVE THE FOLLOWING:

A. Use this unit only in the manner intended by the manufacturer. If you have questions, contact the manufacturer.

B. Before servicing or cleaning the unit, switch power off at service panel and lock service panel disconnecting means to prevent power from being switched on accidentally. When the service disconnecting means cannot be locked, securely fasten a prominent warning device, such as a tag, to the service panel.

WARNING

TO REDUCE THE RISK OF FIRE, ELECTRIC SHOCK, OR INJURY TO PERSONS, OBSERVE THE FOLLOWING:

A. Installation Work and Electrical Wiring Must Be Done By Qualified Person(s) In Accordance With All Applicable Codes & Standards, Including Fire-rated Construction.

B. Sufficient air is needed for proper combustion and exhausting of gases through the flue (Chimney) of fuel burning equipment to prevent back-drafting. Follow the heating equipment manufacturers guideline and safety standards such as those published by the National Fire Protection Association (NFPA), the American Society for Heating, Refrigeration and Air Conditioning Engineers (ASHRAE), and the local code authorities.

C. When cutting or drilling into wall or ceiling, do not damage electrical wiring and other hidden utilities.

D. Ducted fans used to exhaust contaminants must always be vented to the outdoors.

WARNING

TO REDUCE THE RISK OF FIRE, USE ONLY METAL DUCT WORK.

Install this hood in accordance with all requirements specified.

WARNING

To Reduce The Risk Of Fire Or Electric Shock, Do Not Use This Hood With Any External Solid State Speed Control Device.

WARNING

TO REDUCE THE RISK OF A RANGE TOP GREASE FIRE.

- a) Never leave surface units unattended at high settings. Boilovers cause smoking and greasy spillovers that may ignite. Heat oils slowly on low or medium settings.
- b) Clean ventilating fans frequently. Grease should not be allowed to accumulate on fan or filter.
- c) Use proper pan size. Always use cookware appropriate for the size of the surface element.

WARNING

TO REDUCE THE RISK OF INJURY TO PERSONS, IN THE EVENT OF A RANGE TOP GREASE FIRE, OBSERVE THE FOLLOWING:

- a) **SMOTHER FLAMES** with a close-fitting lid, cookie sheet, or other metal tray, then turn off the gas burner or the electric element. **BE CAREFUL TO PREVENT BURNS.** If the flames do not go out immediately, **EVACUATE AND CALL THE FIRE DEPARTMENT.**
- b) **NEVER PICK UP A FLAMING PAN** - you may be burned.
- c) **DO NOT USE WATER**, including wet dishcloths or towels - a violent steam explosion will result.
- d) Use an extinguisher **ONLY** if:
 - 1) You know you have a class ABC extinguisher, and you already know how to operate it.
 - 2) The fire is small and contained in the area where it started.
 - 3) The fire department is being called.
 - 4) You can fight the fire with your back to an exit.

Based on "Kitchen Firesafety Tips" published by NFPA.

WARNING

TO REDUCE THE RISK OF FIRE, ELECTRIC SHOCK OR INJURY TO PERSONS, DO NOT USE REPLACEMENT PARTS THAT HAVE NOT BEEN RECOMMENDED BY THE MANUFACTURER (E.G. PARTS MADE AT HOME USING A 3D PRINTER).

OPERATION

Always leave safety grills and filters in place. Without these components, operating blowers could catch onto hair, fingers and loose clothing.

The manufacturer declines all responsibility in the event of failure to observe the instructions given here for installation, maintenance and suitable use of the product. The manufacturer further declines all responsibility for injury due to negligence and the warranty of the unit automatically expires due to improper maintenance.

- This device is not intended for use by persons (including children) whose physical, sensory or mental abilities are different or reduced, or who lack experience or knowledge unless such persons receive supervision or training for the operation of the device by a person responsible for your safety.
- Children should be supervised to ensure they do not use the devices as a toy.
- Do not flame food under the kitchen hood.
- There must be adequate ventilation in the room, when the range hood is used at the same time as appliances that consume gas or other fuels. (DOES NOT APPLY FOR RANGEHOODS THAT ARE ONLY RECYCLING MODE).
- There is a risk of fire, if the cleaning is not carried out in accordance with the instructions.
- The discharge air must not be sent through a duct that is used to evacuate fumes from appliances that consume gas or other fuels. (DOES NOT APPLY FOR RANGEHOODS THAT ARE ONLY RECYCLING MODE).
- Must be complied with regulations relate to the evaluation of the air discharge.
- In the event that your power cord is damaged in part or in full, do not try to repair it by contacting the service center marked on your warranty or by a specialist technician for replacement.
- **WARNING:** Incorrect placement of screws or fasteners or mounting devices according to these instructions may result in electrical hazards.
- **CAUTION:** Accessible parts of the hood may become hot when used with cooking appliances.

Electrical & Installation Requirements

Electrical Requirements

IMPORTANT

Observe all governing codes and ordinances.

It is the customer's responsibility:

To contact a qualified electrical installer.

To assure that the electrical installation is adequate and in conformance with National Electrical Code, ANSI/NFPA 70 — latest edition*, or CSA Standards C22.1-94, Canadian Electrical Code, Part 1 and C22.2 No.0-M91 - latest edition** and all local codes and ordinances.

If codes permit and a separate ground wire is used, it is recommended that a qualified electrician determine that the ground path is adequate.

GROUNDING INSTRUCTIONS

This appliance must be grounded. In the event of an electrical short circuit, grounding reduces the risk of electric shock by providing an escape wire for the electric current.

WARNING – Improper grounding can result in a risk of electric shock.

Consult a qualified electrician if the grounding instructions are not completely understood, or if doubt exists as to whether the appliance is properly grounded.

Do not ground to a gas pipe.

Check with a qualified electrician if you are not sure range hood is properly grounded.

Do not have a fuse in the neutral or ground circuit.

IMPORTANT

Save Installation Instructions for electrical inspector's use.

The range hood should be connected directly to the fused disconnect (Or circuit breaker).

Wire sizes must conform to the requirements of the National Electrical Code ANSI/NFPA 70 — latest edition*, or CSA Standards C22.1-94, Canadian Electrical Code Part 1 and C22.2 No. 0-M91 - latest edition** and all local codes and ordinances.

A U.L.- or C.S.A.-listed conduit connector must be provided at each end of the power supply conduit (at the appliance and at the junction box).

Copies of the standards listed may be obtained from:

* National Fire Protection Association Batterymarch Park Quincy, Massachusetts 02269

** CSA International 8501 East Pleasant Valley Road Cleveland, Ohio 44131-5575

The product is meant for connecting directly to the mains supply, therefore apply a regulation bipolar switch that ensures complete disconnection from the mains in the conditions of category III over-tension, conforming to the installation rules.

Before installing the hood

1. For the most efficient air flow exhaust, use a straight run or as few elbows as possible.
CAUTION: Vent unit to outside of building, only.
2. At least two people are necessary for installation. Wear gloves to protect against sharp edges.
3. Fittings material is provided to secure the hood to most types of walls/ceilings, consult a Qualified Installer, check if they perfectly fit with your cabinet/wall.
4. COLD WEATHER installations should have an additional backdraft damper installed to minimize backward cold air flow and a non-metallic thermal break to minimize conduction of outside temperatures as part of the ductwork. The damper should be on the cold air side of the thermal break. The break should be as close as possible to where the ducting enters the heated portion of the house.
5. Make up air: Local building codes may require the use of Make-Up Air Systems when using Ducted Ventilation Systems greater than specified CFM of air movement. The specified CFM varies from locale to locale. Consult your HVAC professional for specific requirements in your area.

Do not install insulation within 76 mm (3 in) of any part of the range hood.

Check of the ceiling

The ceiling must be flat, horizontal, sturdy enough, and resistant.

Warnings

The hood is designed to be installed in a dropped ceiling. The dropped ceiling must be sturdy and have a load-bearing capacity suitable for a product with max. weight of **28 Kg (model with steel panel) or 30 Kg (model with glass panel).**

Do not install the hood directly in the dropped ceiling panels, but use a suitable frame or support.

When used in recirculation mode, To Reduce the Risk of Fire and Shock use only conversion kit Model: RECYCLING KIT CEILING NAR.

2. USE

The hood is made to be used in the suction version with external evacuation.

In this case the fumes are conveyed outside of the building by means of a special pipe connected with the connection ring located on top of the hood.

⚠ CAUTION!

The exhausting pipe is not supplied and must be purchased apart. Diameter of the exhausting pipe must be equal to that of the connection ring.

Vapours are evacuated outside through an exhaust pipe attached to the connecting flange.

CAUTION! If the product features one or more carbon filters, they must be removed.

Connect the product to wall-mounted exhaust pipes and holes with a diameter equivalent to the air outlet (connecting flange).

The use of pipes and outlet holes in the wall with a smaller diameter will reduce the extraction performance and drastically increase the noise level.

All responsibility in this regard is therefore denied.

- Use a ducting pipe with the shortest length necessary.
- Use a ducting pipe with the least number of bends possible (maximum bend angle: 90°).
- Avoid drastic changes in the ducting pipe diameter.

3. INSTALLATION

Specialised personnel must carry out both the electrical and the mechanical installation.

Do not cut a joist or stud unless absolutely necessary. If a joist or stud must be cut, then a supporting frame must be constructed.

Fittings material is provided to secure the hood to most types of walls/ceilings. However, a qualified technician must verify suitability of the materials in accordance with the type of wall/ceiling.

CAUTION: The means of fixing supplied with the hood, are exclusively suitable for fixing on concrete or brick ceiling.

Before making cutouts, make sure there is proper clearance within the ceiling or wall for exhaust vent.

Hood installation height above cooktop is the users preference.

CAUTION: FOR GAS RANGES INSTALLATION: MOUNT THIS HOOD SO THAT THE BOTTOM EDGE IS AT 39" (99 CM) ABOVE THE COOKING SURFACE. FOR ELECTRIC RANGES INSTALLATION: MOUNT THIS HOOD SO THAT THE BOTTOM EDGE IS NOT LESS THAN 30" (76,2 CM) AND NO MORE THAN 30" (76,2 CM) ABOVE THE COOKING SURFACE. HOUSEHOLD USE. PLEASE, READ INSTALLATION MANUAL FOR SPECIFIC APPLICATION.

If the instructions for installation for the gas hob specify a greater distance, this must be adhered to.

Check your ceiling height and the hood height maximum before you select your hood.

Consult last pages of this manual for installation instruction and electrical connection steps.

Installation of gypsum board panels (For certain models only)

CAUTION: Installation must be performed exclusively by qualified installers.

FOR THE INSTALLER: responsibility for installation of the hood, including verification of the conformity of the assembly kit eventually supplied with the product, rests exclusively with the installer.

Below is a non-exhaustive list of instructions, useful to the installer (who should use a professional gypsum board installer) to install the gypsum board:

- Use fireproof gypsum board panels (type X fire rated gypsum board complying with ASTM E84), suitable for the operating conditions in terms of temperature (at least 80°C) and humidity (at least 93%) reached during application;
- the total weight of the gypsum board should not exceed 4kg;
- fix the gypsum board to the hood using the fixing points already inserted in the extractor panel;
- to fix the gypsum board, use suitable mechanical components (not included in the assembly kit).
- Elica denies all liability for damage to persons or property resulting from incorrect installation of the gypsum board and/or product.

4. OPERATION



This product is configured for operation with a remote control supplied with the product or purchased separately as an optional accessory.

In order to be able to use this product, the remote control must be paired.

CAUTION!

To begin, the hood must be disconnected and then reconnected to the power supply and the affiliation procedure must be carried out within the first minute of connection to the power.

Read the instructions supplied with the remote control, which provide detailed instructions on affiliation and correct use.

Note: **Speed 4** (and **Speed 5** where available), if selected, are activated for a limited period of time after which **Speed 2** is automatically activated.

Remote control connection (if applicable)

The successful affiliation of the remote control will be displayed on the hood: both LEDs will be flashing.

Please note: Using the remote control, delayed shut-down can be programmed based on the extraction speed (power) enabled at that moment.

Speed 1 (low extraction): 20 minutes

Speed 2 (medium extraction): 15 minutes

Speed 3 (high extraction): 10 minutes

Filter Saturation indicator lights

At regular intervals, the LEDs on the hood indicate the need to carry out filter maintenance.

Note: The filter saturation signal is visible for a few seconds when the hood is switched on; within this time, the saturation indicator lights must be reset.

Flashing Green LED: carry out maintenance on the grease filter.

Red flashing LED: carry out maintenance on the charcoal filter (only for hoods operating in "Filtration Version"). **Note:** Run the "**RESET FILTRES**" command via the remote control.

5. MAINTENANCE

User Servicing and Maintenance Instructions

- **Cleaning:** For cleaning, simply use a cloth moistened with neutral liquid detergents. Do not use cleaning tools or instruments.

- Avoid the use of abrasive products. **DO NOT USE ALCOHOL!**

• **XA Grease filter maintenance:**

Traps grease particles generated by cooking.

Must be cleaned once a month (or when indicated by the filter saturation indication system), with non-aggressive detergents, either by hand or in the dishwasher at low temperatures and in a short cycle. When cleaned in the dishwasher, the metal grease filter may discolour, but its filtering characteristics remain unchanged.

To remove the anti-grease filter, pull the spring release handle.

- **XC Perimeter suction panel:** The perimeter suction panel should always be left closed and should only be opened in case of maintenance (e.g. cleaning or replacing the filters).

Illumination

- The lighting system is based on LED technology. LEDs provide optimal illumination, last up to 10 times longer than conventional lamps and save 90% of electricity.

- **Lighting system :** The lighting system cannot be replaced by the user, contact Customer Service in case of malfunction.

Warranty

ELICA North America TWO-YEARS LIMITED WARRANTY

ELICAMEX S.A. de C.V. Dirección: Av. La Noria No. 102 int. S/N, Col. Parque Industrial Querétaro Del. Santiago de Querétaro, C.P. 76215 Querétaro, R.F.C. ELI060102RK8

TO OBTAIN SERVICE UNDER WARRANTY

Owner must present proof of original purchase date. Please keep a copy of your dated proof of purchase (sales slip) in order to obtain service under warranty.

PARTS AND SERVICE WARRANTY

For the period of two (2) years from the date of the original purchase, Elica will provide free of charge, non consumable parts or components that failed due to manufacturing defects. During these two (2) years limited warranty, Elica will also provide free of charge, all labor and in-home service to replace any defective parts.

WHAT IS NOT COVERED

- Damage or failure to the product caused by accident or act of God, such as, flood, fire or earthquake.
- Damage or failure caused by modification of the product or use of non-genuine parts.
- Damage or failure to the product caused during delivery, handling or installation.
- Damage or failure to the product caused by operator abuse.
- Damage or failure to the product caused by dwelling fuse replacement or resetting of circuit breakers.
- Damage or failure caused by use of product in a commercial application.
- Service trips to dwelling to provide use or installation guidance.
- Light bulbs, metal or carbon filters and any other consumable part.
- Normal wear of finish.
- Wear to finish due to operator abuse, improper maintenance, use of corrosive or abrasive cleaning products/pads and oven cleaner products.

WHO IS COVERED

This warranty is extended to the original purchaser for products purchased for ordinary residential use in North America (Including the United States, Guam, Puerto Rico, US Virgin Islands & Canada).

This warranty is non-transferable and applies only to the original purchaser and does not extend to subsequent owners of the product. This warranty is made expressly in lieu of all other warranties, expressed or implied, including, but not limited to any implied warranty of merchantability or fitness for a particular purpose and all other obligations on the part of Elica North America, provided, however, that if the disclaimer of implied warranties is ineffective under applicable law, the duration of any implied warranty arising by operation of law shall be limited to two (2) years from the date of original purchase at retail or such longer period as may be required by applicable law.

This warranty does not cover any special, incidental and/or consequential damages, nor loss of profits, suffered by the original purchaser, its customers and/or the users of the Products.

WHO TO CONTACT

To obtain service under Warranty or for any Service Related Question:

- Elica North America Authorized Service - (714) 428-0046
- elica@servicepower.com
- *Artexa Mexico S.A. de C.V. / Cañon Grande #7720, Col. La Estanzuela, Monterrey, N.L., 64984, Mexico / telefono 81 8625 5000, whatsapp 55 3955 8770, email servicio@artexa.com*

1. INFORMATIONS SUR LA SÉCURITÉ

CONSIGNES DE SÉCURITÉ IMPORTANTES

VEUILLEZ LIRE ET CONSERVER CES INSTRUCTIONS

APPROUVÉ POUR LES APPAREILS DE TYPE RÉSIDENTIEL
POUR UNE UTILISATION RÉSIDENTIELLE SEULEMENT
LISEZ CES INSTRUCTIONS ET CONSERVEZ-LES

VEUILLEZ LIRE CES INSTRUCTIONS AU COMPLET AVANT DE COMMENCER. L'INSTALLATION DE L'APPAREIL DOIT RESPECTER TOUS LES CODES EN VIGUEUR.

IMPORTANT : Conservez ces instructions afin de pouvoir les remettre à l'inspecteur-électricien de votre région.

INSTALLATEUR : Veuillez laisser ces instructions avec l'appareil pour le propriétaire.

PROPRIÉTAIRE : Veuillez conserver ces instructions pour pouvoir vous y référer plus tard. Avertissement de sécurité : Coupez l'alimentation du circuit dans le panneau électrique et verrouillez le panneau avant de raccorder les fils de cet appareil.

Exigence : Circuit de dérivation de 120V, 60 Hz, 15 ou 20 A.

Enlever l'emballage
ATTENTION!

Enlever le carton avec précaution, porter des gants pour se protéger des parties coupantes.

AVERTISSEMENT!

Enlever le film de protection qui recouvre le produit avant de l'utiliser.



Hotte de cuisinière : EIL640DW - EIL640WH

Tension nominale: 120 V~

Fréquence: 60 Hz

Puissance: 578 W

Current: 4 A

Puissance maximale de la lampe: 2x 14W

Quantité: 1 pièce

Fabriqué en Italie

Produit par: Elica SPA

Importé par: ELICAMEX S.A. de C.V.

Adresse: Av. La Noria (Prolongación) No. 102, Col. Ampliación Parque Industrial Querétaro, Santa Rosa Jáuregui, C.P. 76215, Querétaro, México. R.F.C.

ELI060102RK8

Tel. 81 8625 5000 - Cel. 55 3955 8770

* : les détails marqués par ce symbole sont des accessoires optionnel fournis uniquement sur certains modèles ou des détails à fourni à la demande.

Avis de Sécurité Important

ATTENTION

UTILISER CET APPAREIL À DES FINS DE VENTILATION GÉNÉRALE SEULEMENT. NE PAS UTILISER CET APPAREIL POUR ÉVACUER DES MATÉRIAUX OU DES VAPEURS DANGEREUX OU EXPLOSIFS.

AVERTISSEMENT

POUR RÉDUIRE LES RISQUES D'INCENDIE, DE CHOC ÉLECTRIQUE ET DE BLESSURE, RESPECTER LES DIRECTIVES SUIVANTES :

A. Utiliser cet appareil uniquement aux fins prévues par le fabricant. Si vous avez des questions à propos de l'appareil, communiquez avec le fabricant.

B. Avant de faire l'entretien de l'appareil ou de le nettoyer, coupez l'alimentation dans le panneau électrique et verrouillez le panneau en bloquant le dispositif permettant d'empêcher d'activer l'alimentation accidentellement. S'il n'est pas possible de verrouiller l'accès au panneau, fixez une étiquette très voyante au panneau électrique.

AVERTISSEMENT

POUR RÉDUIRE LES RISQUES D'INCENDIE, DE CHOC ÉLECTRIQUE ET DE BLESSURE, RESPECTER LES DIRECTIVES SUIVANTES :

A. Une personne qualifiée doit effectuer l'installation et le câblage des fils électriques en conformité avec tous les codes et toutes les normes, y compris la cote de résistance au feu.

B. Il est important de prévoir suffisamment d'air pour assurer une bonne combustion de l'équipement de chauffe et l'évacuation adéquates des gaz par le conduit de cheminé afin de prévenir les refoulements d'air. Respectez les directives et les normes de sécurité des fabricants de l'équipement de chauffage, comme celles publiées par la National Fire Protection Association (NFPA), la American Society for Heating, Refrigeration and Air Conditioning Engineers (ASHRAE) et le code des autorités de votre région.

C. Au moment de couper ou de percer un mur ou un plafond, assurez-vous de ne pas endommager la filerie électrique ou tout autre accès à un service publique.

D. Les ventilateurs canalisés utilisés pour l'échappement de contaminants doivent toujours être dotés d'une évacuation vers l'extérieur.

AVERTISSEMENT

POUR RÉDUIRE DES RISQUES D'INCENDIE, UTILISEZ UNIQUEMENT DES CONDUITS EN MÉTAL.

Installez cette hotte en respectant toutes les exigences mentionnées.

AVERTISSEMENT

Pour réduire les risques d'incendie et de choc électrique, n'utilisez pas cette hotte avec un contrôleur de vitesse à semi-conducteurs.

AVERTISSEMENT

POUR RÉDUIRE LES RISQUES D'INCENDIE DE GRAISSE SUR LES CUISINIÈRES.

a) Ne laissez jamais la cuisinière sans surveillance lorsqu'elle est réglée à une haute température. Les débordements par bouillonnement causent de la fumée et des débordements de gras qui peuvent s'enflammer. Faites chauffer l'huile lentement, à une température basse ou moyenne.

b) Nettoyez les hélices de ventilation fréquemment. Il ne faut pas que la graisse s'accumule sur les filtres ou les hélices.

c) Utilisez le bon format de casserole. Utilisez toujours un chaudron de taille approprié à l'élément de la cuisinière.

AVERTISSEMENT

POUR ÉVITER DE BLESSER QUELQU'UN LORS D'UN INCENDIE DE GRAISSE SUR LA CUISINIÈRE, SUIVRE LES CONSEILS SUIVANTS

a) ÉTOUFFER LES FLAMMES avec un couvercle aux dimensions de la taque de cuisson, une tôle à biscuit ou tout autre plateau métallique, puis couper le gaz ou l'alimentation électrique de la cuisinière. FAIRE

ATTENTION A NE PAS SE BRÛLER. Si les flammes ne s'éteignent pas immédiatement, QUITTER LA PIÈCE ET APPELER LES POMPIERS.

b) NE JAMAIS PRENDRE EN MAIN UNE CASSEROLE EN FEU, vous pourriez vous blesser.

c) NE PAS UTILISER D'EAU, y compris les essuies de vaisselle ou les serviettes humides – une violente explosion due à la vapeur formée pourrait survenir.

d) Utilisez un extincteur **SEULEMENT** si:

1) Vous êtes sûr d'avoir un extincteur de classe ABC que vous savez utiliser.

2) Le feu est petit et confiné à la zone où il s'est formé.

3) Les pompiers ont été appelés.

4) Vous pouvez lutter contre le feu avec une sortie derrière vous.

Basé sur "Kitchen Firesafety Tips" publié par NFPA.

AVERTISSEMENT

AFIN DE RÉDUIRE LE RISQUE D'INCENDIE, D'ELECTROCUTION OU DE DOMMAGES PHYSIQUES, NE PAS UTILISER DE PIÈCES DE RECHANGE NON RECOMMANDÉES PAR LE FABRICANT (PAR EXEMPLE, DES PIÈCES FAÇONNÉES À L'AIDE D'UNE IMPRIMANTE 3D).

MODE OPERATOIRE

Toujours laisser les grilles de sécurité et les filtres à leur place. Sans la présence de ces derniers, les parties aspirantes pourraient attirer les cheveux, les doigts ou les vêtements.

Le fabricant décline toute responsabilité si les informations détaillées dans ce manuel pour l'installation, l'entretien et l'utilisation adéquate du produit ne sont pas observées. Le fabricant décline en outre toute responsabilité pour d'éventuelles blessures dues à des négligences; en outre, la garantie de l'appareil sera annulée suite à des conditions d'entretien inappropriées. Cet appareil est fabriqué pour un usage interne. Ne pas utiliser cet appareil à l'extérieur.

- Cet appareil n'est pas prévu pour l'utilisation par des personnes (y compris les enfants) avec des capacités physiques, sensorielles ou mentales différentes ou réduites, ou qui manquent d'expérience ou de connaissances, à moins que ces personnes ne soient sous la supervision d'une personne responsable de la sécurité ou qu'elles aient reçu une formation sur le fonctionnement de l'appareil.
- Les enfants doivent être surveillés afin de s'assurer qu'ils n'utilisent pas l'appareil comme un jouet.
- Ne pas faire flamber des aliments en dessous de la hotte.
- Il doit y avoir une aération adéquate dans la pièce, lorsque la hotte est utilisée en même temps que des appareils qui consomment du gaz ou d'autres carburants. (PAS APPLICABLE POUR LES HOTTES QUI SONT EN MODE RECYCLAGE).

- Il y a un risque d'incendie si le nettoyage n'est pas effectué conformément aux instructions.
- L'air aspiré ne doit pas être envoyé dans une conduite qui est utilisée pour évacuer les fumées d'appareils qui consomment du gaz ou d'autres carburants. (PAS APPLICABLE POUR LES HOTTES QUI SONT UNIQUEMENT EN MODE RECYCLAGE).
- Doit être conforme aux règlements relatifs à l'évacuation de l'air.
- Dans le cas où le cordon d'alimentation est en partie ou complètement endommagé, ne pas essayer de le réparer par vous-même mais contacter le service d'assistance indiqué sur la carte de garantie ou un technicien spécialisé pour le remplacement.
- **AVERTISSEMENT:** le placement incorrect des vis ou des fixations ou des dispositifs de montage conformément à ces instructions peut entraîner des risques électriques.
- **AVERTISSEMENT:** Lorsque la table de cuisson est en fonctionnement, les parties accessibles de la hotte peuvent devenir très chaudes.

Exigences électriques et exigences d'installation

Exigences électriques

IMPORTANT

Respectez tous les codes et ordonnances en vigueur.

Il incombe au client :

De contacter un installateur électrique qualifié.

De s'assurer que l'installation électrique est adéquate et conforme au Code national de l'électricité, ANSI/NFPA 70 - dernière édition*, ou aux normes CSA C22.1-94, Code canadien de l'électricité, Partie 1 et C22.2 No.0-M91 - dernière édition** et à tous les codes et ordonnances locaux.

Si les codes le permettent et qu'un fil de terre séparé est utilisé, il est recommandé qu'un électricien qualifié détermine que le chemin de terre est adéquat.

INSTRUCTIONS POUR LE RACCORDEMENT A LA TERRE

Cet appareil doit être raccordé à la terre. En cas de court-circuit, la mise à la terre diminue le risque de choc électrique en fournissant un fil de sortie pour le courant électrique.

AVERTISSEMENT – Une mise à la terre non correcte peut entraîner un choc électrique.

Consulter un électricien qualifié si vous ne comprenez pas complètement les instructions de raccordement, ou en cas de doute sur la mise à la terre réelle de l'appareil.

Ne mettez pas à la terre un tuyau de gaz.

Demandez conseil à un électricien qualifié si vous n'êtes pas sûr que la hotte est correctement mise à la terre.

N'insérez pas de fusible dans le circuit neutre ou de mise à la terre.

IMPORTANT

Conservez les instructions d'installation à l'usage de l'inspecteur en électricité.

Il faut raccorder la hotte directement à une boîte à fusible ou à un disjoncteur.

La taille des fils doit être conforme aux exigences du National Electrical Code ANSI/NFPA 70 - dernière édition*, ou aux normes CSA C22.1-94, Code canadien de l'électricité Partie 1 et C22.2 No. 0-M91 - dernière édition** et à tous les codes et ordonnances locaux. Un connecteur de conduit répertorié U.L. ou C.S.A. doit être prévu à chaque extrémité du conduit d'alimentation électrique (à l'appareil et à la boîte de jonction).

Vous pouvez obtenir des copies des normes mentionnées auprès de :

* National Fire Protection Association Batterymarch Park Quincy, Massachusetts 02269

** CSA International 8501 East Pleasant Valley Road Cleveland, Ohio 44131-5575

Ce produit a été conçu pour être branché directement à l'alimentation secteur, par conséquent, appliquer un interrupteur bipolaire de réglage garantissant la déconnexion complète du secteur en cas de surtension de catégorie III, conformément aux normes d'installation.

Avant d'installer la hotte

1. Pour assurer la ventilation la plus efficace possible, installez la conduite en ligne droite ou avec le moins de coudes possibles. **ATTENTION** : La sortie de la conduite de ventilation doit donner sur l'extérieur.
2. Deux personnes sont nécessaires pour effectuer l'installation. Porter des gants pour se protéger des bords coupants.
3. La quincaillerie fournie permet de fixer la hotte à la plupart des murs et des plafonds; consultez un installateur qualifié pour vous assurer que la quincaillerie fournie est adaptée à votre type de mur ou d'armoire.
4. Dans le cas des endroits sujets aux TEMPÉRATURES FROIDES, il faut installer un clapet de contre-tirage supplémentaire afin de minimiser le retour d'air froid et un isolant thermique non métallique afin de minimiser la conduction de la température extérieur dans le conduit. Il faut placer le clapet du côté de l'air froid de l'isolant thermique. L'isolant doit être placé le plus près possible de l'endroit où le conduit entre dans la partie chauffée de la maison.

5. Air d'appoint : Le code du bâtiment de votre région peut exiger l'utilisation d'un système d'air d'appoint si vous utilisez un système de ventilation à conduit dont le mouvement d'air dépasse un certain nombre de CFM. Le nombre de pi3/min varie d'une région à l'autre. Consultez un professionnel de CVC pour connaître les exigences précises de votre région.

Ne pas utiliser d'isolant à moins de 76 mm (3 in) de toute partie de la hotte.

Contrôle du plafond

Le plafond doit être plat, horizontal et suffisamment solide et résistant

Mises en garde

La hotte est conçue pour être installée sur un faux plafond. Le faux plafond doit être solide et avoir une capacité de charge adéquate pour un produit de **28 kg maximum (modèle avec panneau en acier) ou 30 kg (modèle avec panneau en verre)**.

Il ne faut pas installer la hotte directement sur les panneaux du faux plafond mais utiliser la structure ou un support adéquat.

Lorsqu'il est utilisé en mode de recirculation, Pour Réduire Les Risques d'Incendie Et De Choc utiliser seulement kits de conversion Modèle: RECYCLING KIT CEILING NAR.

2. UTILISATION

La hotte est réalisée pour être utilisée en version aspirante et avec une évacuation vers l'extérieur.

Les vapeurs sont évacuées vers l'extérieur à travers un conduit d'évacuation fixé à la bride de raccord qui se trouve au-dessus de la hotte.

ATTENTION!

Le tuyau d'évacuation n'est pas fourni et doit être acheté à part. Le diamètre du tuyau d'évacuation doit être égal à celui de la bride de raccord.

Les vapeurs sont évacuées vers l'extérieur par un tuyau d'échappement fixé sur la bride de raccord.

ATTENTION ! Si le produit est équipé d'un ou de plusieurs filtres à charbon, ceux-ci doivent être retirés.

Raccorder le produit aux tuyaux et aux orifices d'évacuation murale du même diamètre que celui de la sortie d'air (bride de raccord).

L'utilisation des tuyaux et des orifices d'évacuation d'un diamètre inférieur diminuera l'efficacité de l'extraction et augmentera considérablement le bruit.

Nous déclinons, dans ce cas, toute responsabilité.

• La longueur du conduit doit être celle strictement indispensable.

- Utiliser un conduit avec le moins de coudes possible (angle maximal du coude : 90°).
- Éviter de changer drastiquement la section du conduit.

3. INSTALLATION

L'installation, aussi bien électrique que mécanique doit être effectuée par du personnel qualifié.

Ne coupez pas une solive ou un montant à moins qu'il soit absolument nécessaire de le faire. Si vous devez couper une solive ou un montant, vous devez construire un cadre de soutien.

La quincaillerie fournie permet de fixer la hotte à la plupart des murs et des plafonds.

Vous devez cependant demander à un technicien qualifié de vérifier la solidité des matériaux selon le type de mur ou de plafond.

La quincaillerie fournie permet de fixer la hotte à la plupart des murs et des plafonds.

Vous devez cependant demander à un technicien qualifié de vérifier la solidité des matériaux selon le type de mur ou de plafond.

Avant de couper, assurez-vous qu'il y a un dégagement suffisant dans le plafond ou le mur pour passer la conduite de sortie.

Vous pouvez déterminer vous-même la hauteur à laquelle vous installez la hotte au dessus de la cuisinière.

ATTENTION: POUR L'INSTALLATION DES CUISINIÈRES A GAZ: METTEZ LA HOTTE AFIN D'AVOIR ENTRE LE BORD INFÉRIEUR DE LA HOTTE ET LE PLAN DE CUISSON UNE DISTANCE DE 39" (99 CM). POUR DES CUISINIÈRES ÉLECTRIQUES: LA DISTANCE ENTRE LE BORD INFÉRIEUR DE LA HOTTE ET LE PLAN DE CUISSON NE DOIT PAS ÊTRE INFÉRIEURE DE 30" (76,2 CM) ET SUPÉRIEURE DE 30" (76,2 CM). EMPLOI DOMESTIQUE. LIRE ATTENTIVEMENT LE LIVRET INSTRUCTIONS POUR DES APPLICATIONS SPÉCIFIQUES.

Si les instructions d'installation du dispositif de cuisson au gaz spécifient une plus grande distance, il faut en tenir compte.

Vérifiez donc la hauteur de votre plafond et la hauteur maximum de la hotte avant de choisir votre modèle de hotte.

Reportez-vous aux dernières pages de ce manuel pour les instructions d'installation et le raccordement électrique.

Installation de panneaux en Placoplatre (Uniquement pour certains modèles)

ATTENTION : l'installation doit être effectuée exclusivement par des installateurs qualifiés.

POUR L'INSTALLATEUR : la responsabilité de l'installation de la hotte, y compris la vérification de la conformité du kit de fixation éventuellement inclus dans le produit, est à la charge exclusive de l'installateur.

Vous trouverez ci-après, à titre d'exemple et non exhaustif, des indications utiles à l'installateur (qui devra faire appel à un plafonneur) pour la fixation du Placoplatre :

- utiliser un type de Placoplatre ignifuge (carton plâtre type X conforme à la ASTM E84), adapté aux conditions de température (au moins 80°C) et d'humidité (au moins 93%) atteintes durant l'application ;
- poids total du Placoplatre utilisé non supérieur à 4Kg;
- fixer le Placoplatre à la hotte à travers les points de fixation dont le panneau d'aspiration est fourni ;
- pour la fixation du Placoplatre, utiliser des composants mécaniques adaptés (pas inclus dans le kit de montage).

La société Elica décline toute responsabilité pour des dommages aux personnes ou biens dérivant d'une installation non correcte du Placoplatre et/ou du produit.

4. FONCTIONNEMENT



Ce produit est conçu pour fonctionner avec une télécommande fournie avec le produit ou qui peut être achetée comme option.

Pour pouvoir utiliser ce produit, il est nécessaire d'effectuer l'association de la télécommande.

ATTENTION !

Pour commencer il est nécessaire de débrancher et de rebrancher la hotte au secteur électrique et d'effectuer la procédure d'association au cours de la première minute d'alimentation.

Lire les instructions fournies avec la télécommande pour connaître toutes les informations sur son association et utilisation correctes.

Remarque : en sélectionnant la **Vitesse 4** (et la **Vitesse 5** si elle est présente), celle-ci s'active pendant une période limitée de temps puis la **Vitesse 2** automatiquement.

Association de la télécommande (le cas échéant)

L'association effective de la télécommande est indiquée sur la hotte : les deux voyants clignotent.

Remarque : La télécommande permet de programmer l'extinction retardée en fonction de la vitesse (puissance) d'extraction active à ce moment-là.

Vitesse 1 (extraction basse) : 20 minutes

Vitesse 2 (extraction moyenne) : 15 minutes

Vitesse 3 (extraction haute) : 10 minutes

Voyants de saturation des filtres

À échéances régulières, les DEL placées sur la hotte signalent la nécessité d'effectuer l'entretien des filtres.

Remarque: L'indication de saturation des filtres est visible pendant quelques secondes au moment de l'allumage de la hotte. Pendant ce temps, il est nécessaire de réinitialiser les indicateurs de saturation.

DEL vert clignotant : effectuer l'entretien du filtre des graisses.

DEL rouge clignotant : effectuer l'entretien du filtre carbone (uniquement pour les hottes fonctionnant en « version filtrante »).

Remarque: Effectuer la «**RÉINITIALISATION DES FILTRES**» avec la télécommande.

5. ENTRETIEN

• **Nettoyage** : Pour le nettoyage, utiliser exclusivement un chiffon imbibé de nettoyant liquide neutre. Ne pas utiliser d'ustensiles ni d'instruments de nettoyage.

• Éviter l'usage de produits à base d'agents abrasifs. NE PAS UTILISER D'ALCOOL !

• ✘A Entretien des Filtres à graisse :

Il retient les particules de graisse dérivantes de la cuisson.

Il doit être nettoyé une fois par mois (ou quand l'indicateur de saturation des filtres l'indique), avec des détergents non agressifs, à la main ou au lave-vaisselle à basse température et cycle rapide. Avec le lavage au lave-vaisselle, le filtre anti-graisse métallique peut décolorer mais ses caractéristiques de filtrage restent les mêmes.

Pour démonter le filtre à graisse, tirer la poignée de décrochage à ressort.

• **✘C Panneau d'aspiration périmétrique** : Le panneau d'aspiration périmétrique doit toujours être fermé et ne doit être ouvert qu'en cas d'entretien (ex. Nettoyage ou remplacement des filtres).

Éclairage du plan de cuisson

• Le système d'éclairage est basé sur la technologie LED. Les LED fournissent un éclairage optimal, durent jusqu'à 10 fois plus longtemps que les ampoules classiques et permettent d'économiser 90 % d'électricité.

• **Système d'Éclairage** : Le système d'éclairage ne peut pas être remplacé par l'utilisateur ; en cas de dysfonctionnement, contacter le service d'assistance.

Garantie

GARANTIE DE DEUX ANS **ELICA North America**

ELICAMEX S.A. de C.V. Dirección: Av. La Noria No. 102 int. S/N, Col. Parque Industrial Querétaro Del. Santiago de Querétaro, C.P. 76215 Querétaro, R.F.C. ELI060102RK8

POUR OBTENIR UN DEPANNAGE SOUS GARANTIE

Le propriétaire doit présenter une preuve de la date d'achat. Garder une copie de votre preuve d'achat datée (ticket de caisse) de façon à pouvoir bénéficier du service après-vente sous garantie.

GARANTIE PIECES DE RECHANGE ET MAIN D'OEUVRE

Pendant une période de deux (2) ans à partir de la date d'achat, Elica s'engage à fournir gratuitement les pièces de rechange

ou les composants autres que les recharges ayant des défauts de fabrication.

Durant cette garantie de deux (2) ans, Elica fournira également gratuitement, toute la main d'oeuvre et le service à domicile

pour remplacer d'éventuelles pièces défectueuses.

CE QUE LA GARANTIE NE COUVRE PAS

- Dégât ou panne du produit causé par un accident ou un cas de force majeure tels que inondation, incendie ou tremblement de terre.
- Dégât ou panne du produit causé par modification du produit ou utilisation de pièces pas d'origine.
- Dégât ou panne du produit causé lors de la livraison, de la manipulation ou de l'installation.
- Dégât ou panne du produit causé par une mauvaise utilisation.
- Dégât ou panne du produit causé par un remplacement des fusibles ou une remise en fonction des disjoncteurs par le propriétaire.
- Dégât ou panne du produit causé par une utilisation du produit pour raison commerciale.
- Déplacement à domicile pour explication d'utilisation ou d'entretien.
- Ampoules, filtres métalliques ou au charbon et toute autre pièce consommable.
- Usure normale.
- Usure due à une mauvaise utilisation du propriétaire, un entretien incorrect, une utilisation de substances nettoyantes corrosives ou abrasives et produits de nettoyage pour four.

QUI EST COUVERT

Cette garantie s'étend à l'acheteur original de produits achetés pour un usage domestique habituel en Amérique du Nord (Y compris Etats Unis, Guam, Porto Rico, les Iles virgins Américaines & le Canada).

Cette garantie n'est pas transférable et vaut uniquement pour l'acheteur original et ne s'étend pas aux propriétaires successifs du produit. Cette garantie vaut expressément en lieu et place de toute autre garantie, expresse ou sous-entendue, mais ne limite pas toute autre garantie sous-entendue de marchandage ou adaptation dans un but particulier et toute autre obligation de la part de Elica North America, étant entendu, cependant, que si la réclamation pour garanties sous-entendues n'est pas applicable aux yeux de la loi en vigueur, la durée de toute garantie sous-entendue émanant de la loi doit être limitée à deux (2) ans à partir de la date d'achat du produit ou à une période plus longue selon ce que dit la loi en vigueur.

Cette garantie ne couvre pas tout dégât particulier, accidentel et/ou consécutif, ni les pertes et profits, à charge du propriétaire, des ses clients et/ou des utilisateurs Des produits.

QUI CONTACTER

Pour obtenir un service après-vente durant la garantie ou pour toute autre question:

- Elica North America Authorized Service - (714) 428-0046
- elica@servicepower.com
- *Artexa Mexico S.A. de C.V. / Cañon Grande #7720, Col. La Estanzuela, Monterrey, N.L., 64984, Mexico / telefono 81 8625 5000, whatsapp 55 3955 8770, email servicio@artexa.com*

1. INFORMACIÓN DE SEGURIDAD

INSTRUCCIONES DE SEGURIDAD IMPORTANTES

LEA Y GUARDE ESTAS INSTRUCCIONES

APROBADO PARA APARATOS DE USO DOMÉSTICO
SÓLO PARA USO DOMÉSTICO
LEA Y GUARDE ESTAS INSTRUCCIONES

ANTES DE CONTINUAR, LEA LAS INSTRUCCIONES POR COMPLETO.

LA INSTALACIÓN DEBE CUMPLIR TODA LA NORMATIVA LOCAL.

IMPORTANTE: guarde estas instrucciones para su uso por parte del inspector de electricidad local.

INSTALADOR: entregue al propietario estas instrucciones junto con la unidad.

PROPIETARIO: conserve estas instrucciones para futuras consultas.

Advertencia de seguridad: antes de realizar el cableado de este aparato, desactive el circuito de energía eléctrica en el panel de servicio y desbloquee el panel.

Requisito: Circuito auxiliar de 120V, 60 Hz, 15 ó 20 A

Quitar el embalaje

¡PRECAUCIÓN!

Quitar el cartón con cuidado, usar guantes para protegerse de los bordes agudos.

¡ADVERTENCIA!

Quitar la película protectora que cubre el producto antes de la puesta en operación.

NOM



Campana purificadora: EIL640DW - EIL640WH

Tensión asignada: 120 V~

Frecuencia: 60 Hz

Consumo de potencia: 578 W

Consumo de corriente: 4 A

Potencia máxima de la lámpara: 2x14 W

Contenido: 1 pieza.

Hecho en Italia

Fabricado por: Elica SPA

Importado por: ELICAMEX S.A. de C.V.

Dirección: Av. La Noria (Prolongación) No. 102, Col. Ampliación Parque Industrial Querétaro, Santa Rosa Jáuregui, C.P. 76215, Querétaro, México. R.F.C.

ELI060102RK8

Tel. 81 8625 5000 - Cel. 55 3955 8770

* : las piezas marcadas con este símbolo son accesorios opcionales suministrados solo en algunos modelos o piezas no suministrables, pero que pueden comprarse.

⚠ Aviso de seguridad importante

PRECAUCIÓN

SÓLO PARA USO DE VENTILACIÓN GENERAL. NO UTILIZAR PARA EXPULSAR VAPORES O MATERIALES PELIGROSOS O EXPLOSIVOS.

ADVERTENCIA

PARA REDUCIR EL RIESGO DE FUEGO, DESCARGA ELÉCTRICA O LESIONES PERSONALES, RESPETE LO SIGUIENTE:

A. Utilice esta unidad solamente en el modo que indica el fabricante. En caso de duda, póngase en contacto con el fabricante.

B. Antes de reparar o limpiar la unidad, desconecte la alimentación en el panel de servicio y bloquee los medios de desconexión del panel de servicio para evitar la conexión accidental de la alimentación. Si no es posible bloquear los medios de desconexión del panel de servicio, coloque un dispositivo de advertencia que destaque como, por ejemplo, una etiqueta, en el panel de servicio.

ADVERTENCIA

PARA REDUCIR EL RIESGO DE FUEGO, DESCARGA ELÉCTRICA O LESIONES PERSONALES, RESPETE LO SIGUIENTE:

A. La instalación y el cableado eléctrico deben realizarlos personas cualificadas de acuerdo con las normativas y los estándares aplicables, incluida la construcción ignífuga.

B. Es necesaria una ventilación suficiente para la correcta combustión y expulsión de gases por la salida de humos (Chimenea) del equipo de combustión de carburante para evitar el contratiempo. Siga las directrices de fabricantes de equipos de calefacción y los estándares de seguridad como los publicados por la National Fire Protection Association (NFPA), American Society for Heating, Refrigeration and Air Conditioning Engineers (ASHRAE) y las normativas locales.

C. Al efectuar oficiales en una pared o techo, no dañe el cableado eléctrico y otras instalaciones ocultas.

D. Los ventiladores de conducto utilizados para expulsar contaminantes deben ventilarse siempre al exterior.

**ADVERTENCIA
PARA REDUCIR EL RIESGO DE FUEGO, UTILICE
SOLAMENTE TUBOS METÁLICOS.**

Instale esta campana de acuerdo con los requisitos especificados.

ADVERTENCIA

Para reducir el riesgo de fuego o descarga eléctrica, no utilice esta campana con ningún dispositivo externo en estado sólido para el control de la velocidad.

ADVERTENCIA

**PARA REDUCIR EL RIESGO DE INCENDIO
OCASIONADO**

POR GRASA:

- a) No deje nunca ninguna unidad externa desatendida y con valores de fuego altos. La cocción puede causar humo o reboses de grasa que pueden prender fuego. Caliente el aceite a fuego lento o medio.
- b) Limpie con frecuencia los ventiladores. No permita que la grasa se acumule en el ventilador o filtro.
- c) Utilice un tamaño de sartén adecuado. Utilice siempre piezas de batería de cocina adecuadas al tamaño del elemento de superficie.

ADVERTENCIA

**PARA REDUCIR EL RIESGO DE LESIONES
PERSONALES, EN CASO DE FUEGO OCASIONADO
POR GRASA, TENGA EN CUENTA LO SIGUIENTE:**

- a) **EXTINGA LAS LLAMAS** con una tapa ajustada, una lámina para hacer galletas u otro tipo de bandeja metálica y apague el quemador de gas o elemento eléctrico. **TENGA CUIDADO PARA EVITAR QUEMADURAS.** Si las llamas no se extinguen inmediatamente, **DESALOJE EL LUGAR Y LLAME A LOS BOMBEROS.**
- b) **NUNCA TOME UNA SARTÉN EN LLAMAS**, podría sufrir quemaduras.
- c) **NO UTILICE AGUA**, incluidas bayetas o toallas húmedas ya que se produciría una violenta explosión de vapor.
- d) Utilice un extintor **SÓLO** si:
 - 1) Sabe que dispone de un extintor de la clase ABC y conoce su funcionamiento.
 - 2) El fuego es pequeño y se encuentra en la misma zona donde se inició.
 - 3) Ha llamado a los bomberos.
 - 4) Puede luchar contra el fuego teniendo una salida a su espalda.

Según los "Consejos para la Seguridad Antincendio en Cocina", publicado por NFPA.

ADVERTENCIA

PARA REDUCIR EL RIESGO DE INCENDIO, DESCARGA ELÉCTRICA O LESIONES A LAS PERSONAS, NO UTILICE PIEZAS DE RECAMBIO QUE NO HAYAN SIDO RECOMENDADAS POR EL FABRICANTE (POR EJEMPLO, PIEZAS HECHAS EN CASA UTILIZANDO UNA IMPRESORA 3D).

FUNCIONAMIENTO

Coloque siempre las rejillas y los filtros de seguridad en su lugar correspondiente. Sin estos componentes, los ventiladores en funcionamiento podrían atrapar su pelo, sus dedos o su ropa.

El fabricante declina toda responsabilidad en caso de fallo de cumplimiento de las instrucciones aquí facilitadas para la instalación, el mantenimiento y el uso adecuado del producto. El fabricante declina además toda responsabilidad por daños ocasionados por negligencia y la garantía de la unidad queda cancelada automáticamente como consecuencia de un mantenimiento incorrecto.

- Este aparato no se destina para utilizarse por personas (incluyendo niños) cuyas capacidades físicas, sensoriales o mentales sean diferentes o estén reducidas, o carezcan de experiencia o conocimiento a menos que dichas personas reciban una supervisión o capacitación para el funcionamiento del aparato por una persona responsable de su seguridad.
- Los niños deben supervisarse para asegurar que ellos no empleen los aparatos como juguete.
- No flamear alimentos bajo la campana de cocina
- Debe haber una ventilación adecuada en el cuarto, cuando la campana de cocina se utiliza al mismo tiempo que los aparatos que consumen gas u otros combustibles. (NO APLICA PARA CAMPANAS QUE ÚNICAMENTE SON RECIRCULANTES)
- Existe el riesgo de fuego, si la limpieza no se realiza de acuerdo con las instrucciones.
- El aire de descarga no debe enviarse a través de un conducto que se utilice para evacuar los humos de los aparatos que consumen gas u otros combustibles. (NO APLICA PARA CAMPANAS QUE ÚNICAMENTE SON RECIRCULANTES).
- Deben de cumplirse las regulaciones que se relacionen con la evaluación de la descarga de aire
- En caso de que su cordón de alimentación llegase a sufrir un daño parcial o total no trate de repararlo acuda al centro de servicio marcado en su garantía o bien con un técnico especialista para su sustitución.
- **ADVERTENCIA:** La mala colocación de los tornillos o artefactos de montaje o sujeción de acuerdo a estas instrucciones puede traer consigo peligros eléctricos."
- **PRECAUCIÓN:** Las partes accesibles pueden calentarse cuando se utilizan los aparatos de cocción."

Requisitos eléctricos y de instalación

Requisitos eléctricos

IMPORTANTE

Respete todos los códigos y ordenanzas vigentes.

Es responsabilidad del cliente:

Contactar con un instalador eléctrico cualificado.

Para asegurarse de que la instalación eléctrica es adecuada y se ajusta al Código Eléctrico Nacional, ANSI/NFPA 70 - última edición*, o a las normas CSA C22.1-94, Código Eléctrico Canadiense, Parte 1 y C22.2 N.º 0-M91 - última edición** y a todos los códigos y ordenanzas locales.

Si los códigos lo permiten y se utiliza un cable de tierra separado, se recomienda que un electricista cualificado determine si la trayectoria de la tierra es adecuada.

INSTRUCCIONES PARA LA PUESTA A TIERRA

Este aparato debe ser conectado a tierra. En caso de cortocircuito eléctrico, la conexión a tierra reduce el riesgo de descargas eléctricas, proveyendo un cable de fuga para la corriente eléctrica.

ATENCIÓN – La inadecuada puesta a tierra puede causar un riesgo de descarga eléctrica.

Consultar un electricista calificado en caso de mal interpretación de las instrucciones para la puesta a tierra o de dudas sobre el adecuamiento de la conexión a tierra.

No utilizar una prolongación. Si el cable de alimentación es demasiado corto, hacer instalar por un electricista calificado, un enchufe en proximidad del aparato.

No conecte a tierra una tubería de gas.

Consulte a un electricista cualificado si no está seguro de que la campana extractora está correctamente conectada a tierra.

No tenga un fusible en el circuito neutro o de tierra.

IMPORTANTE

Guarde las instrucciones de instalación para que pueda utilizarlas el inspector eléctrico.

La campana debe estar conectada directamente al desconector con fusible (O disyuntor) .

Las dimensiones de los cables deben ajustarse a los requisitos del Código Eléctrico Nacional ANSI/NFPA 70 - última edición*, o a las normas CSA C22.1-94, Código Eléctrico Canadiense Parte 1 y C22.2 N.º 0-M91 - última edición** y a todos los códigos y ordenanzas locales.

En cada extremo del conducto de alimentación (en el aparato y en la caja de conexiones) debe haber un conector de conducto listado por U.L. o C.S.A.

Es posible obtener copias de las normas enumeradas en:

* National Fire Protection Association Batterymarch Park Quincy, Massachusetts 02269

** CSA International 8501 East Pleasant Valley Road Cleveland, Ohio 44131-5575

El producto está destinado a la conexión directa al suministro de red, por lo tanto, coloque un interruptor bipolar de regulación que garantice la desconexión completa de la red en condiciones de sobretensión de categoría III, conforme a las normas de instalación.

Antes de instalar la campana

1. Para obtener una circulación del flujo de aire más eficaz, utilice un tubo de tramo recto o el menor número posible de tubos acodados. **PRECAUCIÓN:** el conducto de ventilación solamente debe tener salida hacia la parte exterior del edificio.
2. Para realizar la instalación, se necesitan al menos dos personas. Use guantes para protegerse contra los bordes afilados.
3. La campana se ajusta mediante material adecuados para la mayoría de superficies; consulte a un instalador cualificado para comprobar si quedan perfectamente ajustados al armario o a la pared.
4. Las instalaciones en CONDICIONES CLIMÁTICAS FRÍAS deben tener instalado un regulador de contratiro adicional para minimizar el flujo de aire inverso y una rotura térmica no metálica para minimizar la conducción de temperaturas externas como parte de los tubos. El regulador debe encontrarse en la parte de aire frío de la rotura térmica. La rotura debe estar los más cerca posible al lugar donde los tubos entran en la parte caliente de la casa.
5. Aire limpio: Las normativas locales para edificios pueden requerir el uso de sistemas de aire limpio cuando se utilizan sistemas de ventilación mediante tubos superiores al CFM especificado de movimiento de aire. El CFM especificado varía de una zona a otra. Para conocer los requisitos específicos de su zona, consulte a un profesional de HVAC.

No instale el aislamiento a menos de 76 mm (3 in) de cualquier parte de la campana.

Control del techo

El techo debe ser plano, horizontal y adecuadamente sólido y resistente

Advertencias

La campana está diseñada para ser instalada en un cielo falso. El cielo falso debe ser sólido y tener una capacidad de carga adecuada para un producto del peso máx. de **28 Kg (modelo con panel de acero) o 30 Kg (modelo con panel de vidrio)**. No instalar la campana directamente en los paneles del cielo falso, sino utilizar siempre un bastidor o soporte adecuado.

Cuando se use en modo recirculante, Para reducir el riesgo de incendio y choque eléctrico, use sólo el kit de conversión modelo RECYCLING KIT CEILING NAR.

2. USO

La campana está realizada para ser utilizada en versión aspirante de evacuación externa.

El vapor es evacuado hacia el exterior a través de un tubo de escape introducido en el aro de sujeción que se encuentra arriba de la campana.

ATENCIÓN!

El diámetro del tubo de escape debe ser igual al diámetro del aro de sujeción.

Los vapores se evacúan al exterior a través de un tubo de escape fijado a la brida de conexión.

¡ATENCIÓN! Si el producto está equipado con filtro/s de carbón, debe/n retirarse.

Empalme el producto en tuberías o agujeros de descarga en la pared con diámetro equivalente al de la salida de aire (brida de empalme).

El empleo de tuberías y agujeros de descarga en la pared con diámetro inferior conllevará una disminución en términos de rendimiento de aspiración y un aumento drástico del ruido.

Por lo tanto no se acepta responsabilidad alguna por ello.

- Usar un conducto cuya longitud sea la mínima indispensable.
- Usar un conducto con la menor cantidad de codos posibles (ángulo máximo del codo: 90°).
- Evitar cambios bruscos de sección del conducto.

3. INSTALACION

La instalación, eléctrica o mecánica, debe ser realizada por personas especializadas.

No corte una vigueta o un perno a menos que sea absolutamente necesario. Si fuera necesario efectuar el corte, deberá construirse un marco de soporte.

Se suministra el material de ajuste necesario para fijar la campana a la mayoría de tipos de muro o techo.

No obstante, un técnico cualificado debe comprobar la idoneidad de los materiales de acuerdo con el tipo de muro o techo.

Se suministra el material de ajuste necesario para fijar la campana a la mayoría de tipos de muro o techo. No obstante, un técnico cualificado debe comprobar la idoneidad de los materiales de acuerdo con el tipo de muro o techo.

Antes de efectuar ningún corte, asegúrese de existe espacio libre adecuado en el techo o muro para la expulsión del aire.

La preferencia de la altura de instalación de la campana de los usuarios es por encima de la cocina.

PRECAUCION: PARA LA INSTALACION DE ESTUFAS DE GAS: INSTALE ESTA CAMPANA DE TAL MANERA QUE LA CORNISA INFERIOR SE ENCUENTRE A 39" (99 CM) SOBRE LA SUPERFICIE DE COCCION. PARA LA INSTALACION DE ESTUFAS ELECTRICAS: INSTALE ESTA CAMPANA DE TAL MANERA QUE LA CORNISA INFERIOR SE ENCUENTRA A NO MENOS DE 30" (76,2 CM) Y NO MAS DE 30" (76,2 CM) SOBRE LA SUPERFICIE DE COCCION. PARA USO ELECTRODOMESTICO. POR FAVOR, LEA EL MANUAL DE INSTALACION PARA UNA INSTALACION ESPECIFICA.

Si las instrucciones para la instalación del dispositivo para cocinar con gas especifican una distancia mayor, hay que tenerlo en consideración.

Antes de seleccionar la campana, compruebe la altura del techo y la altura máxima de la campana.

Consulte las últimas páginas de este manual para obtener instrucciones de instalación y conexión eléctrica.

Instalación de paneles de yeso (Sólo para algunos modelos)

ADVERTENCIA: la instalación sólo debe ser realizada por instaladores cualificados.

PARA EL INSTALADOR: la responsabilidad de la instalación de la campana, incluida la verificación de la conformidad del kit de fijación incluido en el producto, es responsabilidad exclusiva del instalador.

A continuación, a modo de ejemplo y sin limitarse a ello, algunas indicaciones útiles para el instalador (que deberá utilizar un técnico en paneles de yeso) para la fijación de los paneles de yeso:

- utilice un panel de yeso ignífugo (tipo X que cumpla con la norma ASTM E84), adecuado para las condiciones operativas de temperatura (al menos 80°C) y humedad (al menos 93%) alcanzadas en la aplicación;
- peso total del panel de yeso utilizado no superior a 4KG;
- fije el panel de yeso a la campana a través de los puntos de fijación de los que se suministra el panel de aspiración;
- para fijar el panel de yeso utilice componentes mecánicos adecuados (no incluidos en el kit de montaje).

Elica declina toda responsabilidad por daños a personas o cosas que resulten de una instalación incorrecta del panel de yeso y/o del producto.

4. FUNCIONAMIENTO



Este producto está preparado para funcionar con un radiomando que se suministra con el producto o puede adquirirse por separado como opción.

Para poder utilizar este producto, es necesario realizar la afiliación del radiomando.

¡ATENCIÓN!

Para empezar, es necesario desconectar y volver a conectar la campana extractora a la red eléctrica y realizar el procedimiento de afiliación en el primer minuto de alimentación.

Leer las instrucciones que acompañan al radiomando donde se da toda la información para su afiliación y correcto uso.

Nota: la **Velocidad 4** (y la **Velocidad 5** donde esté previsto) si se seleccionan, se activan durante un periodo de tiempo limitado tras el cual se activa automáticamente la **Velocidad 2**.

Afiliación telecomando (si está previsto)

La afiliación correcta del telecomando se visualiza en la campana: los dos LED parpadean.

Nota: Mediante el telecomando es posible programar el apagado retardado en función de la velocidad de aspiración (potencia) activa en ese momento.

Velocidad 1 (aspiración baja): 20 minutos

Velocidad 2 (aspiración media): 15 minutos

Velocidad 3 (aspiración alta): 10 minutos

5. MANTENIMIENTO

- **Limpieza:** Para la limpieza use exclusivamente un paño humedecido con detergentes líquidos neutros. No utilice herramientas o instrumentos para la limpieza.

- No utilice productos que contienen abrasivos. ¡NO UTILICE ALCOHOL!

✘ Mantenimiento Filtros de grasa:

Retiene las partículas de grasa procedentes de la cocción.

Se debe limpiar una vez al mes (o cuando el sistema de indicación de saturación de filtros indica dicha necesidad), con detergentes no agresivos, manualmente o bien en el lavavajillas con un programa breve y a baja temperatura. Cuando el filtro metálico de grasa se lava en el lavavajillas puede decolorarse pero ello no afecta de ninguna manera sus características de filtrado.

Para desmontar el filtro de grasas, tire de la palanca de liberación con muelle.

- ✘ **Panel aspiración perimetral:** El panel de aspiración perimetral siempre se deja cerrado y se deja abierto solo en caso de mantenimiento (ej. Limpieza o sustitución de los filtros).

Iluminación

- El sistema de iluminación está basado en la tecnología LED. Los LED garantizan una iluminación óptima, con una duración hasta 10 veces mayor que las lámparas tradicionales y permiten ahorrar el 90% de energía eléctrica.

- **Sistema de Iluminación :** El sistema de iluminación no es sustituible por el usuario, en caso de mal funcionamiento póngase en contacto con el servicio de asistencia técnica.

Garantía

ELICA North America GARANTIA LIMITADA DE DOS AÑOS.

ELICAMEX S.A. de C.V. Dirección: Av. La Noria No. 102 int. S/N, Col. Parque Industrial Querétaro Del. Santiago de Querétaro, C.P. 76215 Querétaro, R.F.C. ELI060102RK8

PARA OBTENER SERVICIO DENTRO DE GARANTIA.

El propietario debe presentar su recibo original de la compra. Guarde por favor una copia de su recibo de compra como prueba, para recibir el servicio dentro del periodo de garantía.

PARTES Y GARANTIA DE SERVICIO.

Por el periodo de (2) dos años desde la fecha original de la compra, Elica proveerá, gratuitamente, partes no-consumibles o componentes que hayan fallado debido a defectos de fabricación. Durante estos (2) años de garantía limitada, Elica también proveerá gratuitamente, todo el servicio en casa y mano de obra necesaria para reemplazar cualquier parte defectuosa.

QUE NO ESTA CUBIERTO

- Daños o fallas del producto causados por accidente o actos de Dios, tales como inundaciones incendios o terremotos.
- Daños o fallas causadas por alteración del producto o por el uso de partes no-originales.
- Daños o fallas del producto causados durante la entrega, manejo o instalación.
- Daños o fallas del producto causados por abuso del usuario.
- Daños o fallas del producto causados por reemplazo de fusibles dañados o reseteo de interruptor de circuito.
- Daño o fallas causados por el uso del producto en un ambiente comercial (no doméstico).
- Viajes de servicio debidos a dudas sobre el uso o instalación del producto.
- Bombillas, filtros de carbón o metal y cualquier otra parte consumible.
- Desgaste normal.
- Desgaste terminal debido a abusos del usuario, mantenimiento inadecuado, uso de productos / toallas de limpieza corrosivos o abrasivos y por uso de limpiadores para hornos.

QUIEN ESTA CUBIERTO

Esta garantía se extiende al comprador original de productos adquiridos para uso residencial en Norte América (incluyendo Estados Unidos, Guam, Puerto Rico, Islas Vírgenes de USA y Canadá).

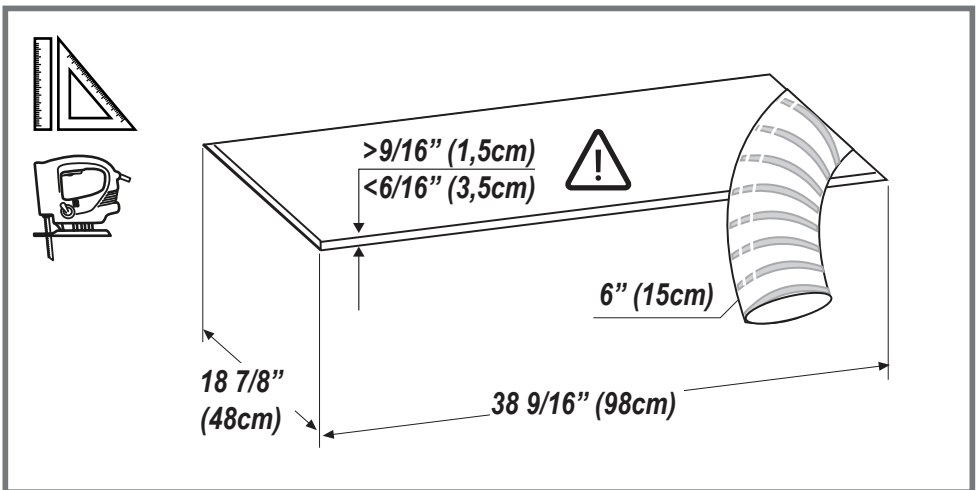
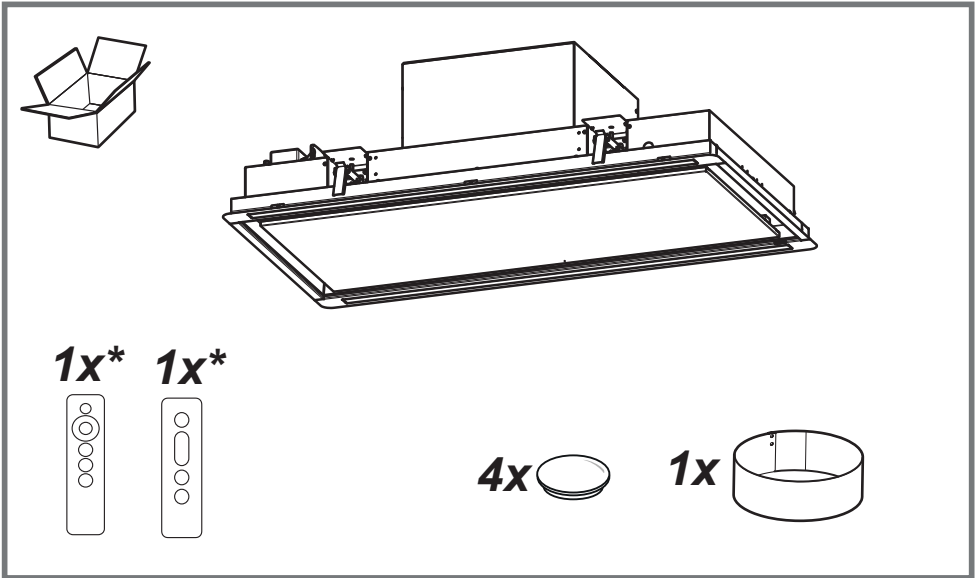
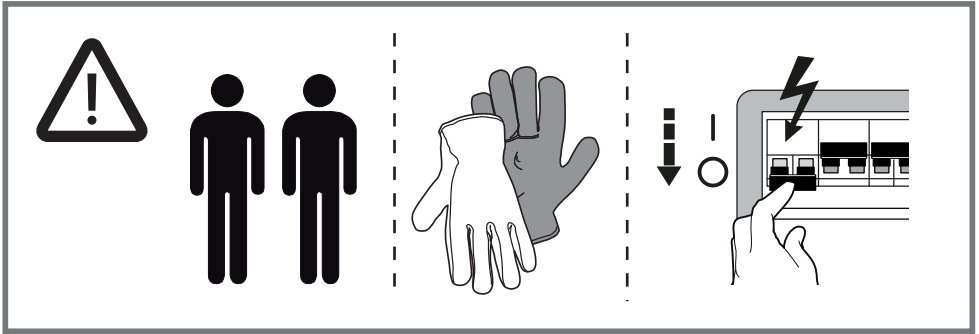
Esta garantía no es transferible y aplica solamente al comprador original y no se extiende a propietarios subsecuentes del producto. Esta garantía se expresa en lugar de otras garantías, expresadas o implicadas, incluyendo, pero no limitada a ninguna garantía implicada de comercialización o adaptada para propósitos particulares y cualquier otra obligación por parte de Elica North America, considerando, sin embargo, que si la negación de garantías implícitas es inefectiva bajo la ley aplicable, la duración de cualquier garantía implícita será limitada a dos (2) años desde la fecha original de compra o por el periodo necesario como sea requerido por la ley aplicable.

Esta garantía no cubre cualquier daño especial, incidental y/o consecuente, ni pérdidas de ganancias, sufridas por el comprador original, sus clientes y/o usuarios del producto.

A QUIEN CONTACTAR

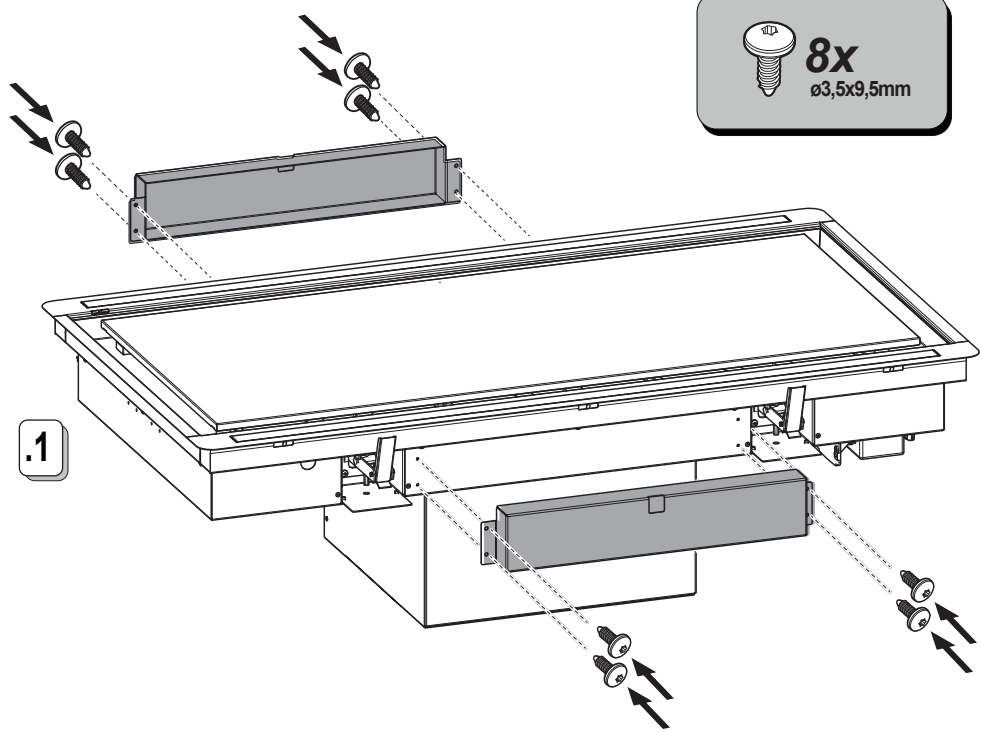
Para obtener servicio bajo garantía o para cualquier pregunta relacionada a servicio.

- Servicio Autorizado de Elica North America - (714) 428-0046
- elica@servicepower.com
- *Artexa Mexico S.A. de C.V. / Cañon Grande #7720, Col. La Estanzuela, Monterrey, N.L., 64984, Mexico / telefono 81 8625 5000, whatsapp 55 3955 8770, email servicio@artexa.com*

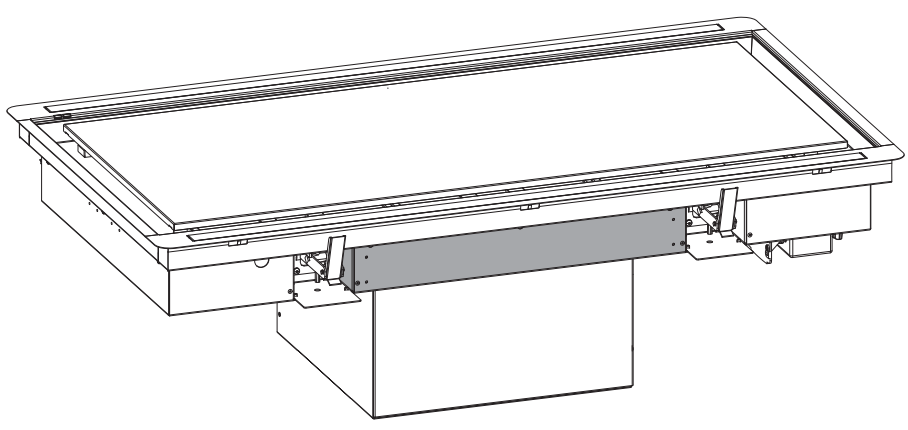




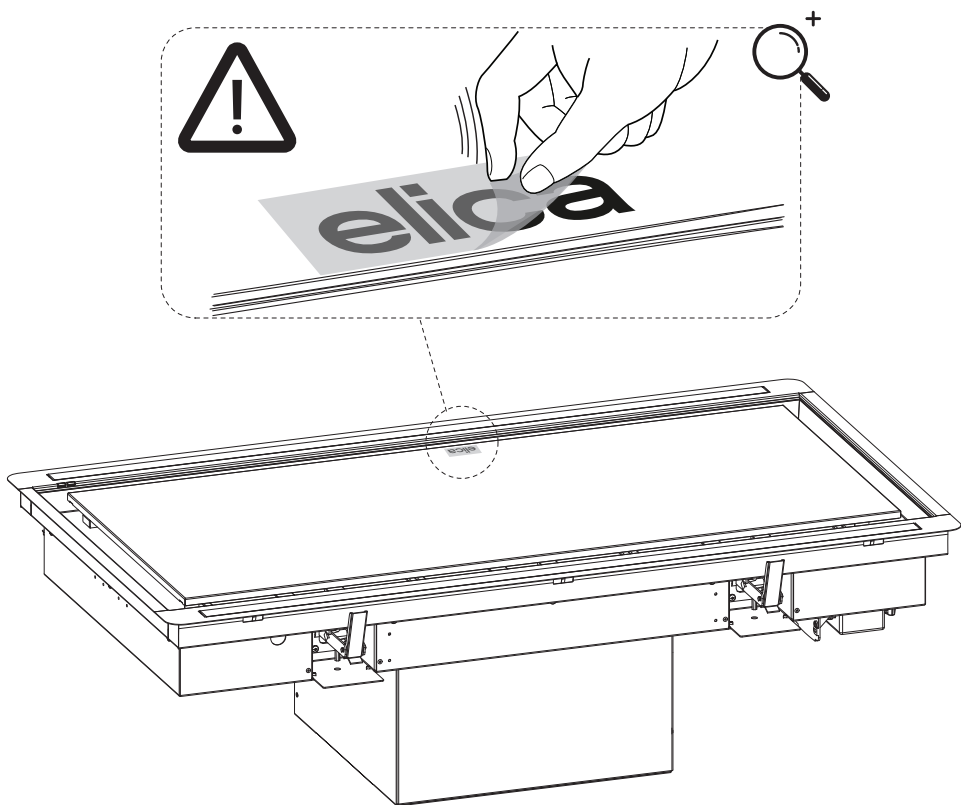
8x
ø3,5x9,5mm

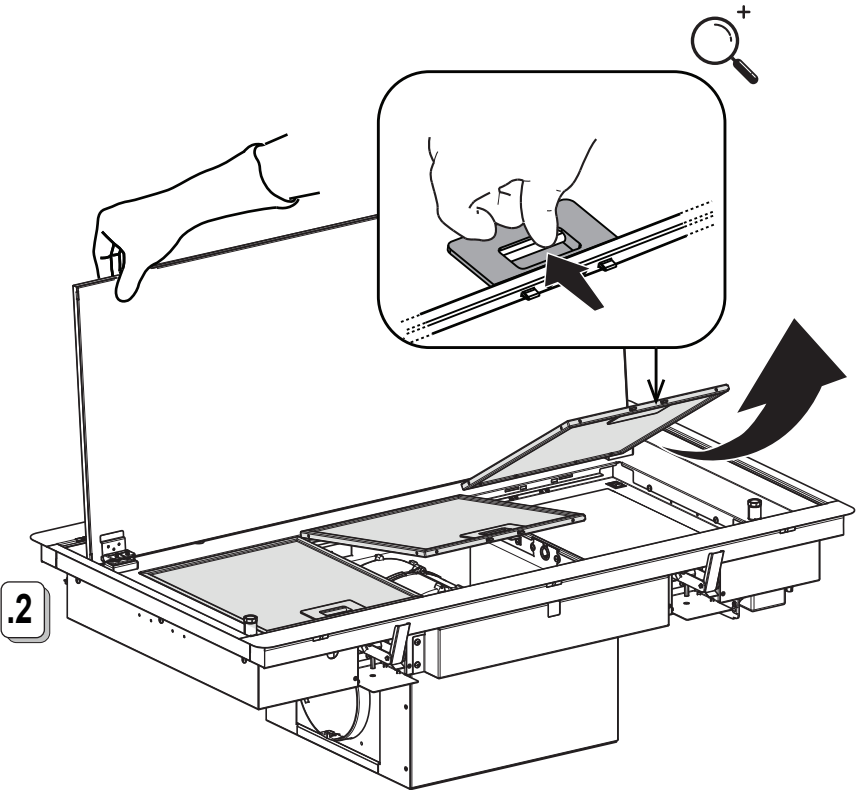
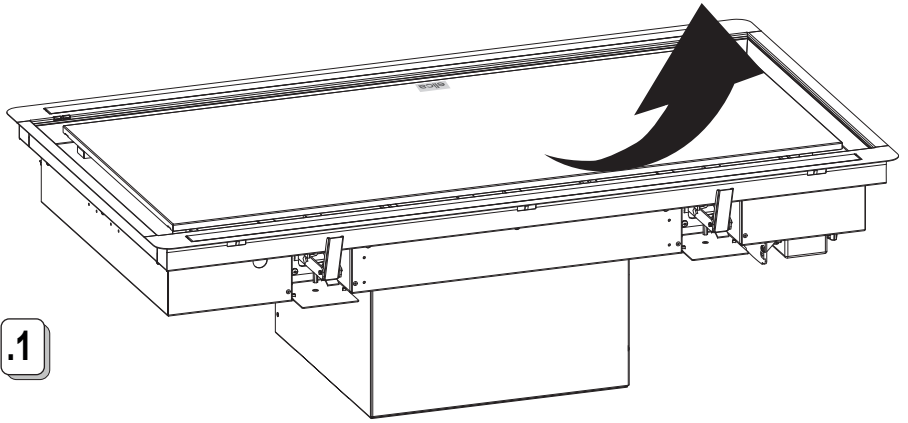


.2



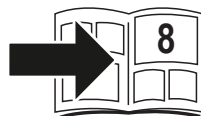
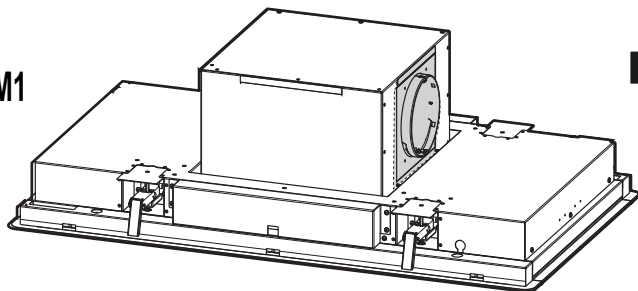
0



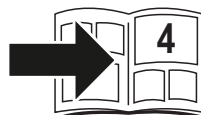
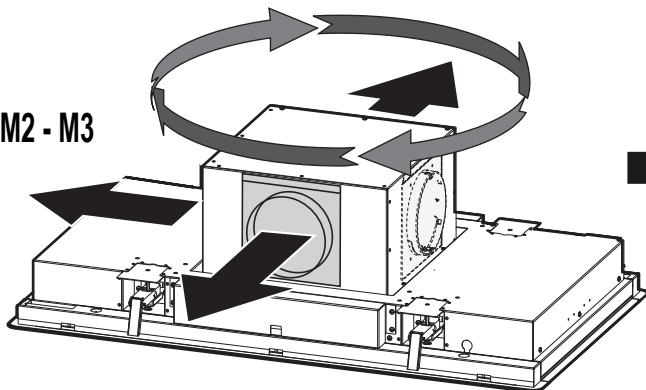




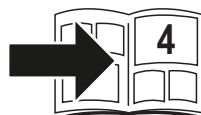
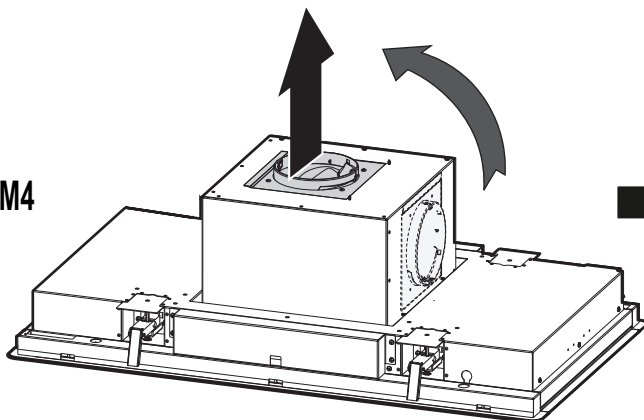
Inst. M1

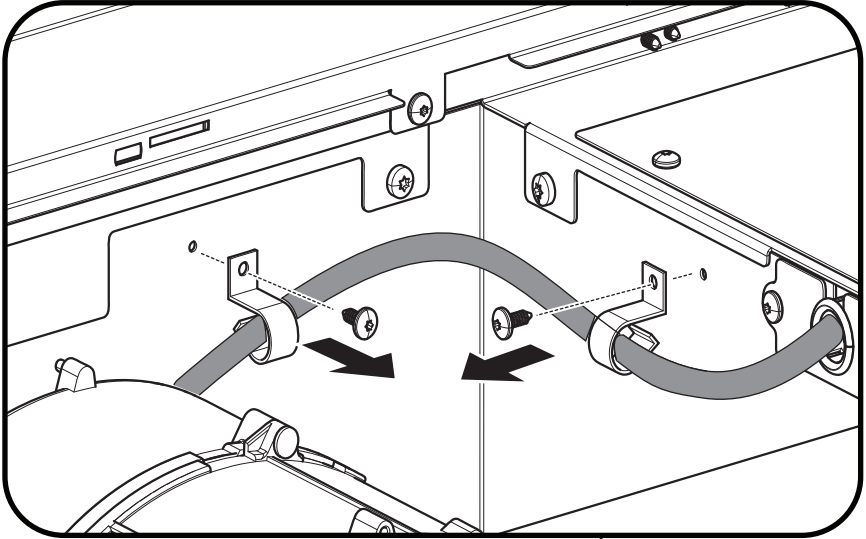


Inst. M2 - M3

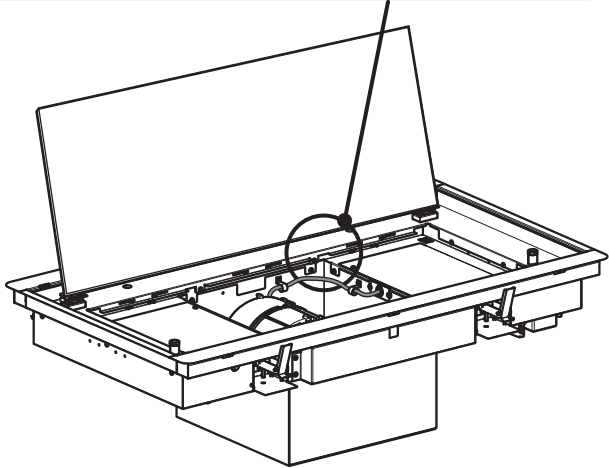


Inst. M4

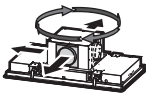




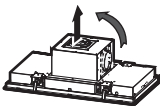
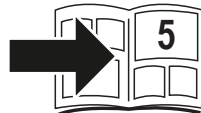
.1



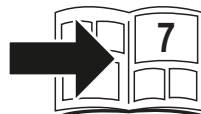
.2



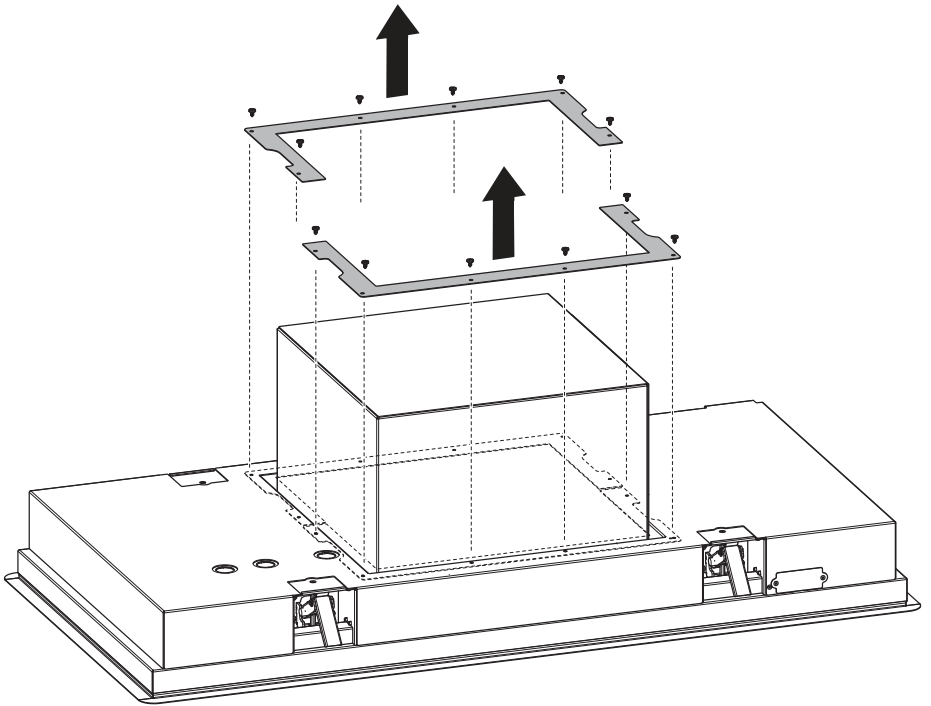
Inst. M2 - M3



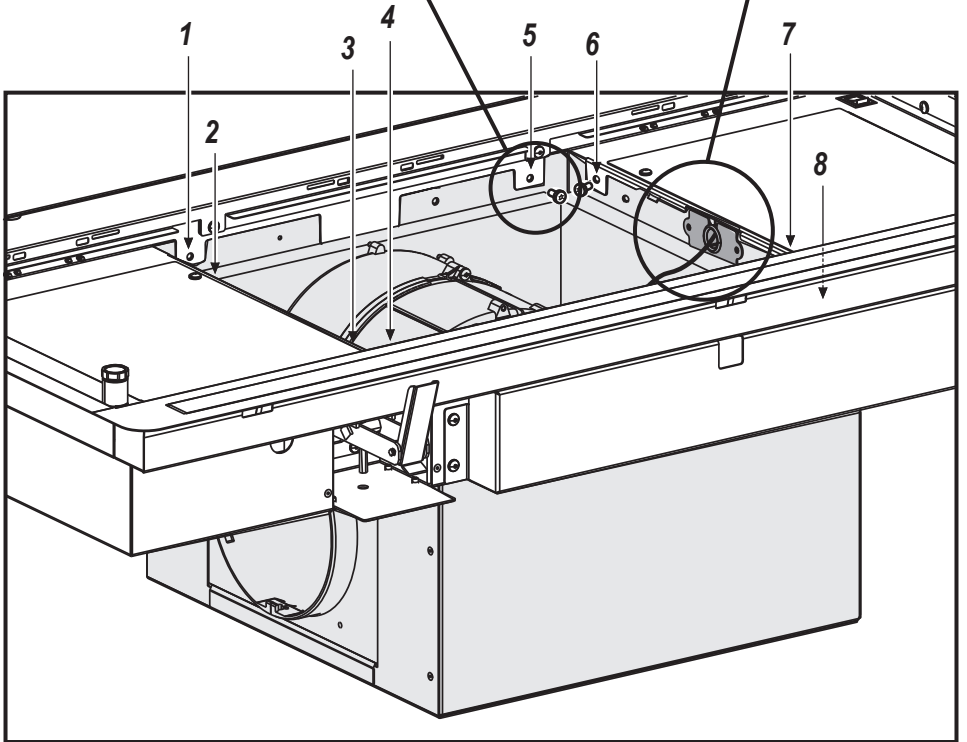
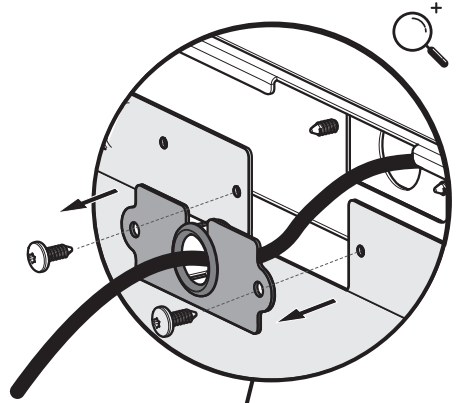
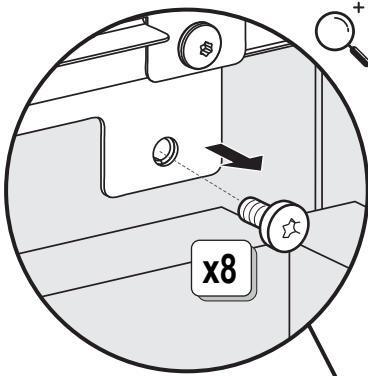
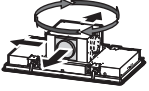
Inst. M4



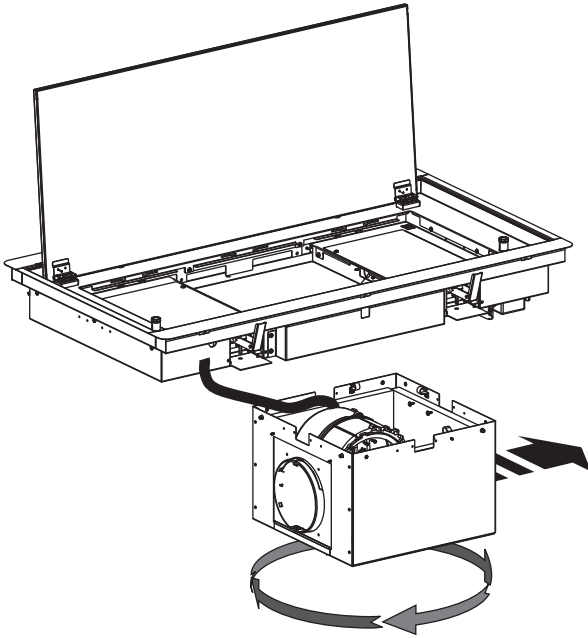
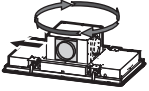
Inst. M2-M3



Inst. M2-M3

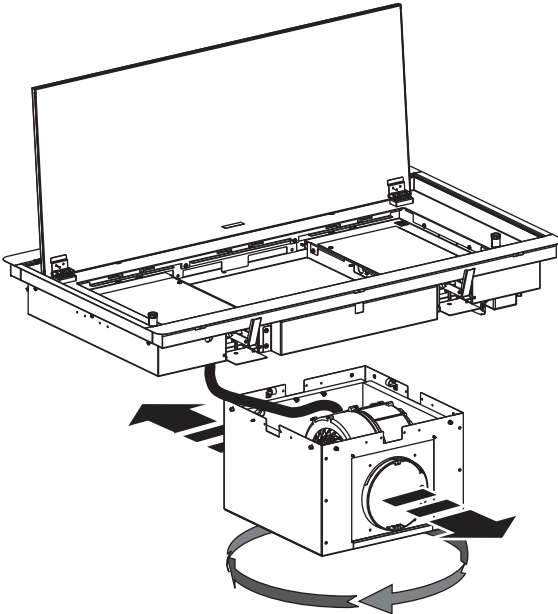
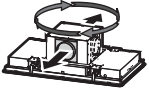


Inst. M2



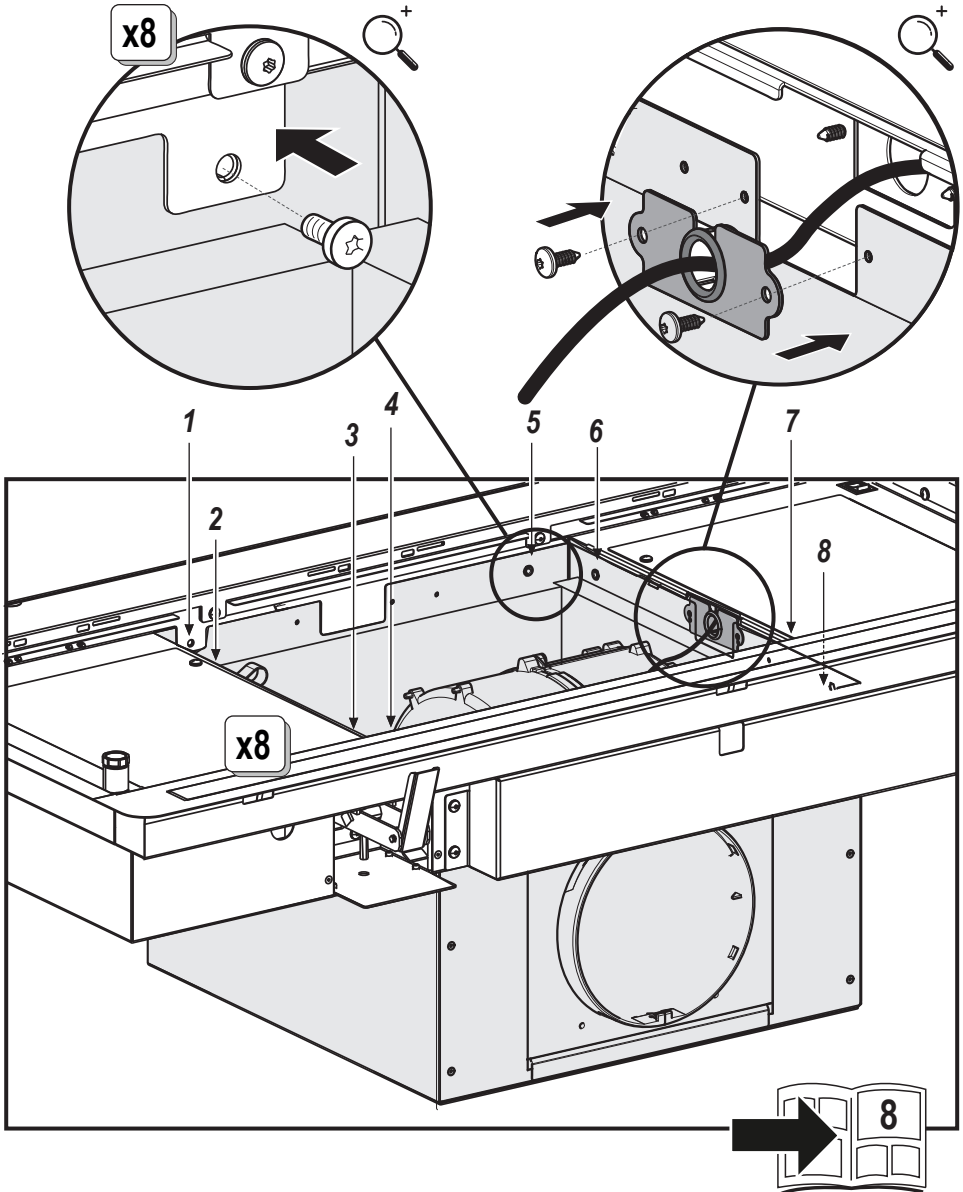
6.1

Inst. M3

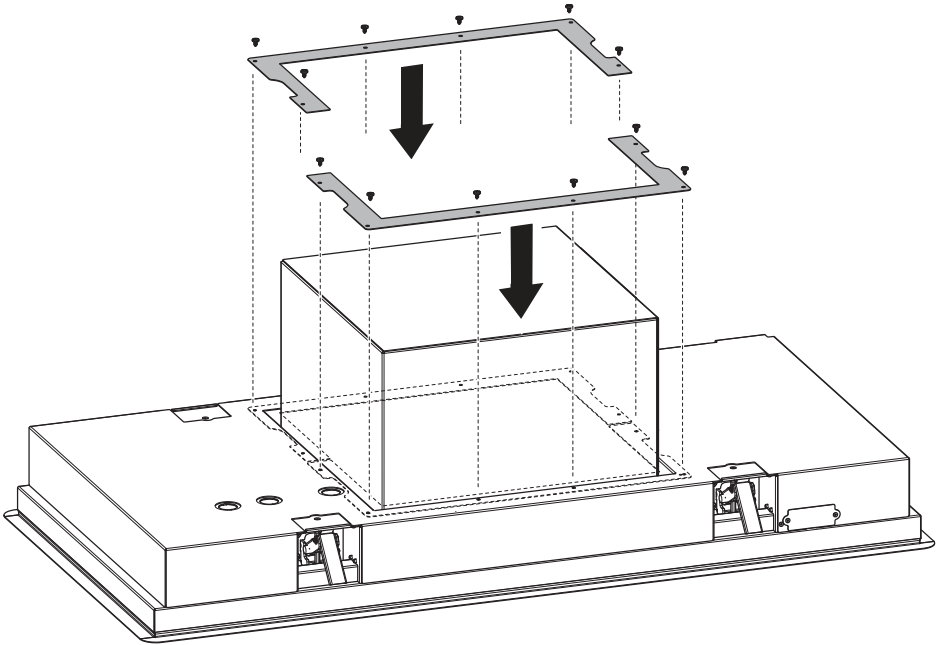
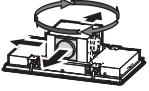


6.1

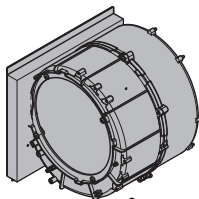
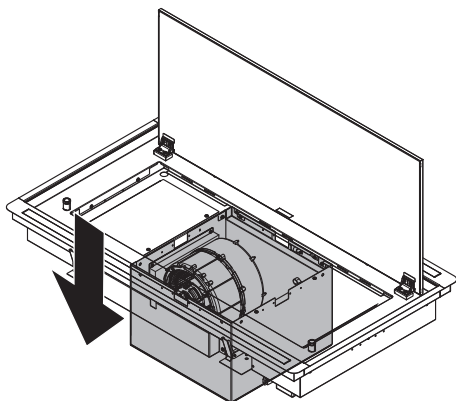
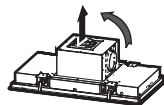
Inst. M2-M3



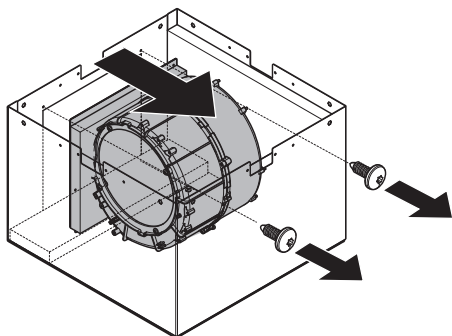
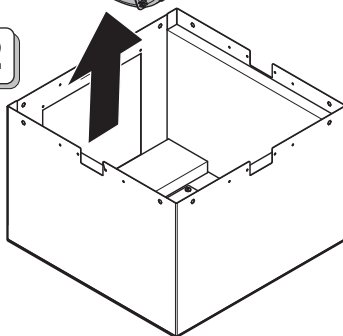
Inst. M2-M3



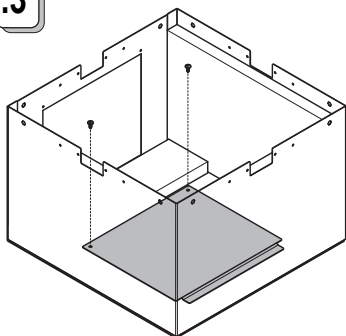
Inst. M4



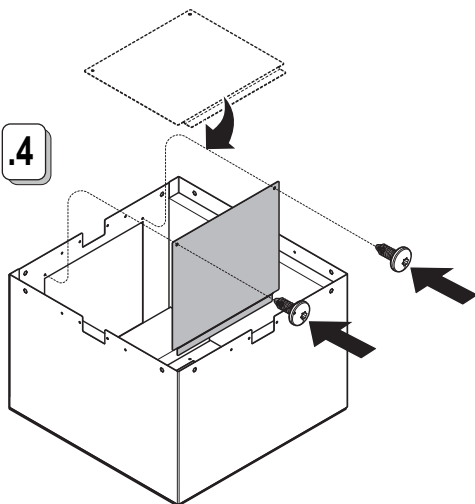
.2



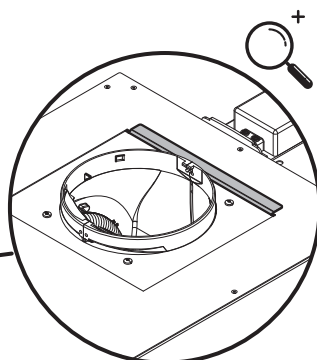
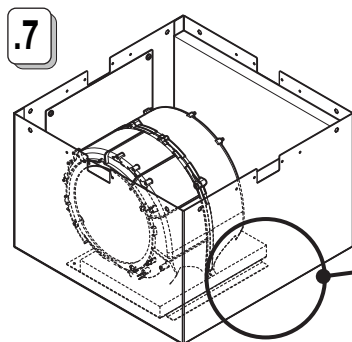
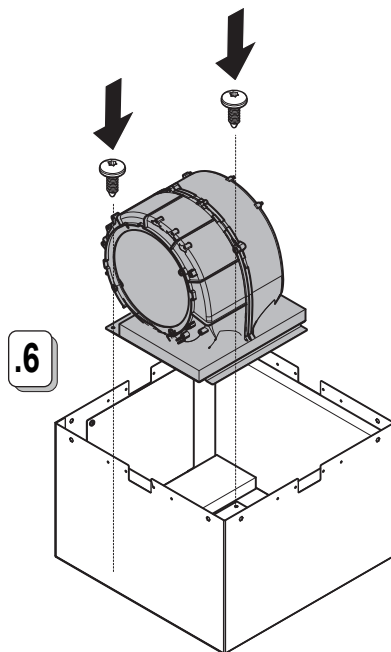
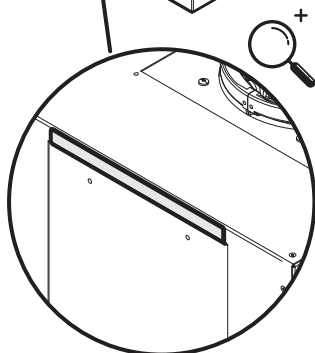
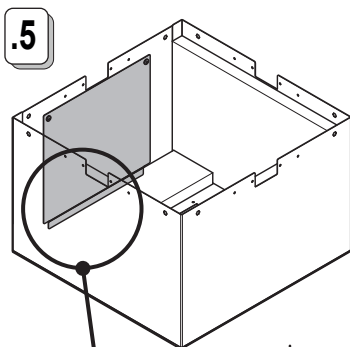
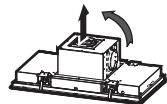
.3

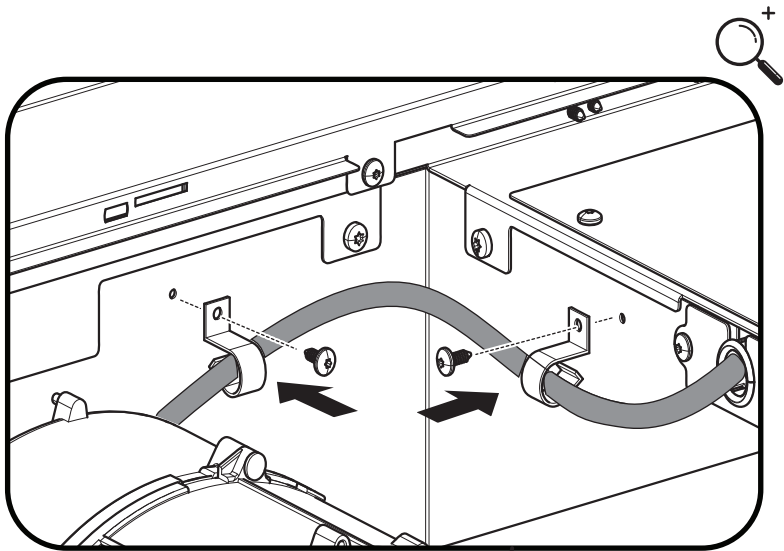


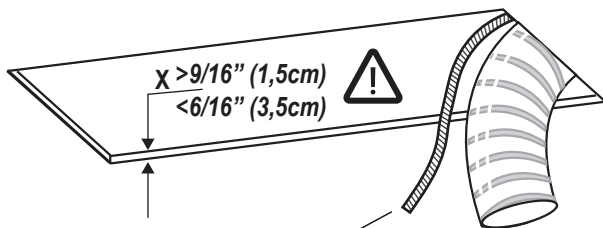
.4



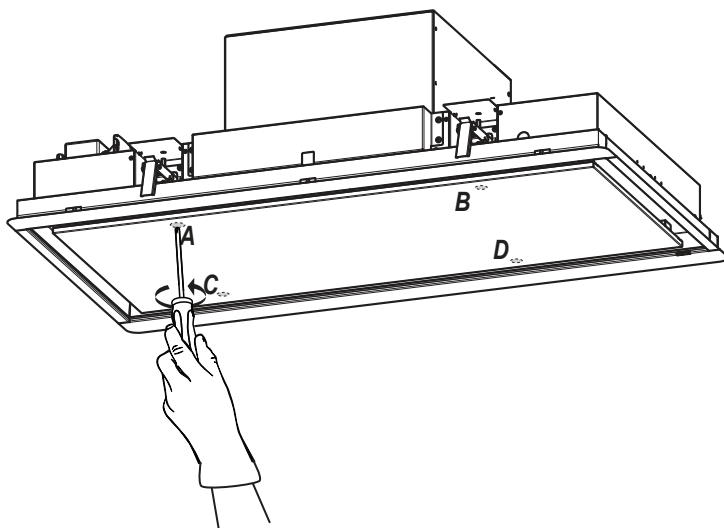
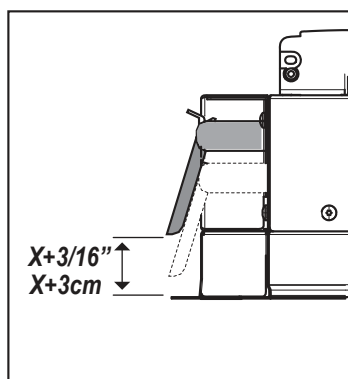
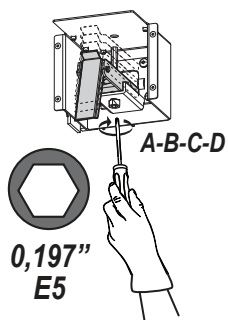
Inst. M4

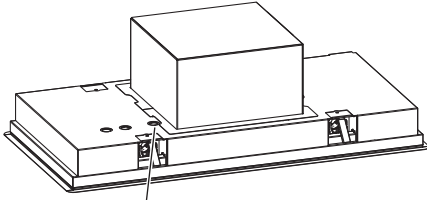




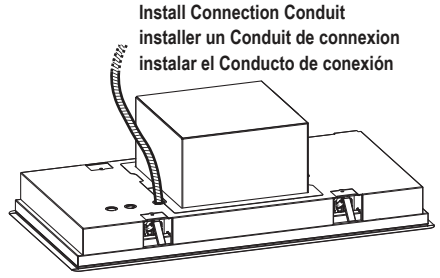


Connection Conduit
Conduit de connexion
Conducto de conexión



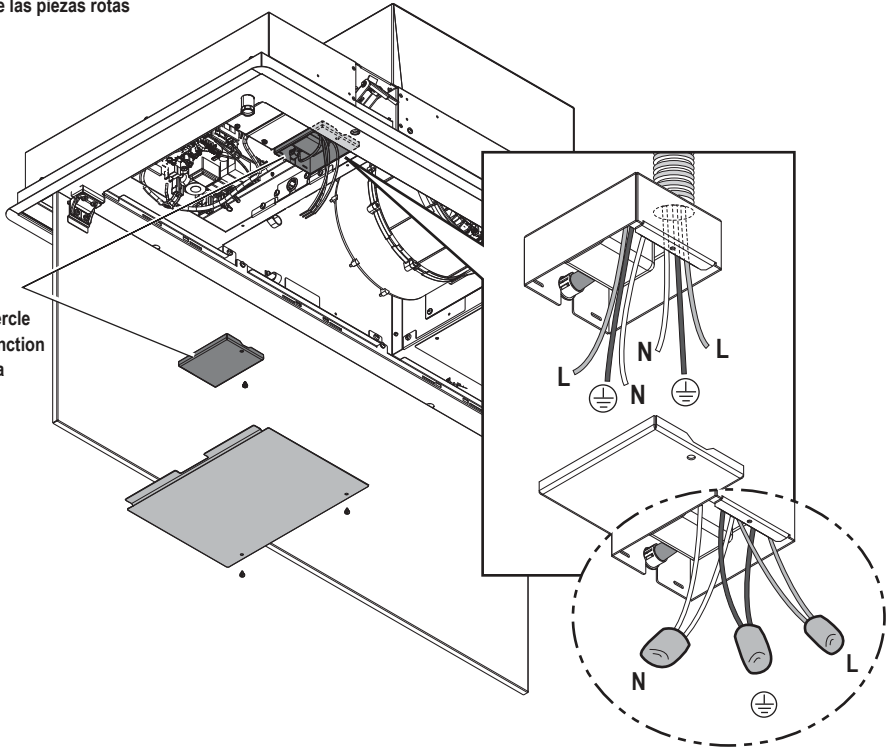


Remove Knockout
Enlever l'alvéole défonçable
Retire las piezas rotas

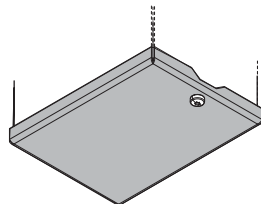


Install Connection Conduit
installer un Conduit de connexion
instalar el Conducto de conexión

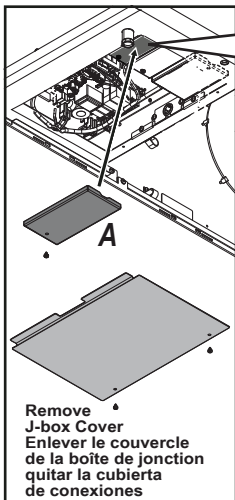
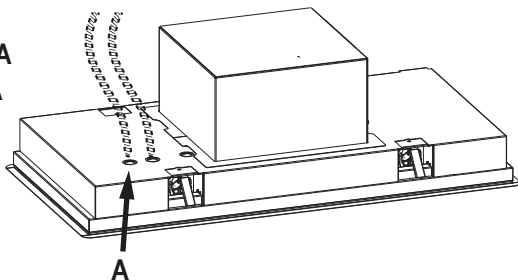
Remove
J-box Cover
Enlever le couvercle
de la boîte de jonction
quitar la cubierta
de conexiones



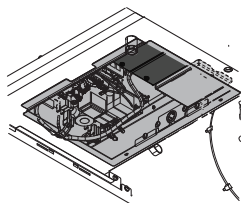
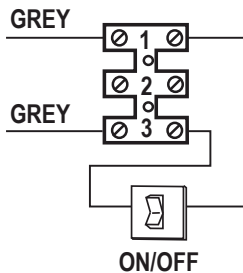
Close
J-box Cover
Fermer le couvercle
de la boîte de jonction
Cerrar la cubierta
de conexiones



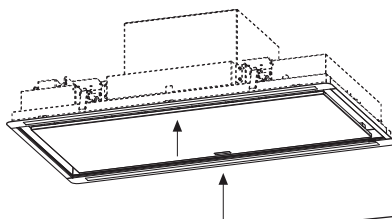
Install Connection Conduit A
installer un Conduit de connexion A
instalar el Conducto de conexión A



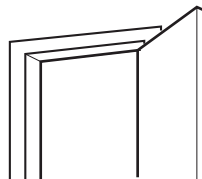
- DO NOT CONNECT TO THE BRANCH CIRCUIT!
CONNECT ONLY TO AN ISOLATED CIRCUIT.
- NE PAS CONNECTER AU CIRCUIT DE DERIVATION!
A CONNECTER UNIQUEMENT A UN CIRCUIT ISOLE'.
- ¡NO SE CONECTAR A UN LINEA ELÉCTRICA EXISTENTE!
CONECTAR SOLO A UNA LINEA ELÉCTRICA DEDICADA.



Close J-box Cover
 Fermer le couvercle de la boîte de jonction
 Cerrar la cubierta de conexiones

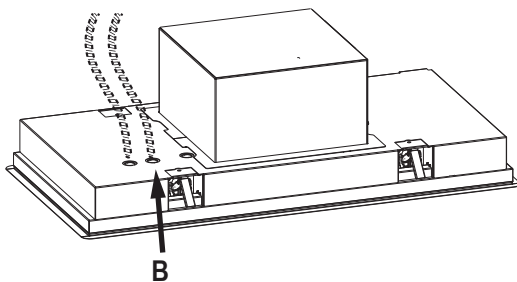



ON/OFF

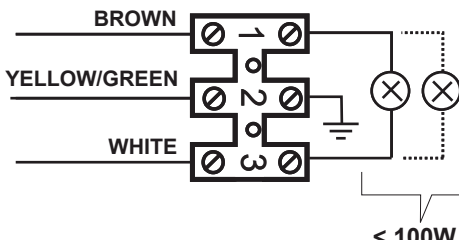


11.a

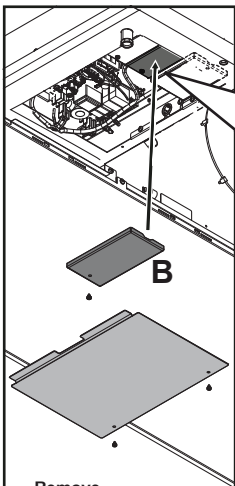
Install Connection Conduit B
installer un Conduit de connexion B
instalar el Conducto de conexión B



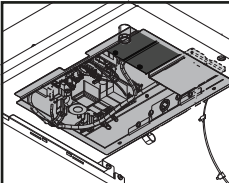




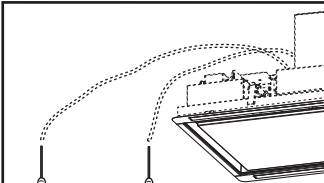
11.b



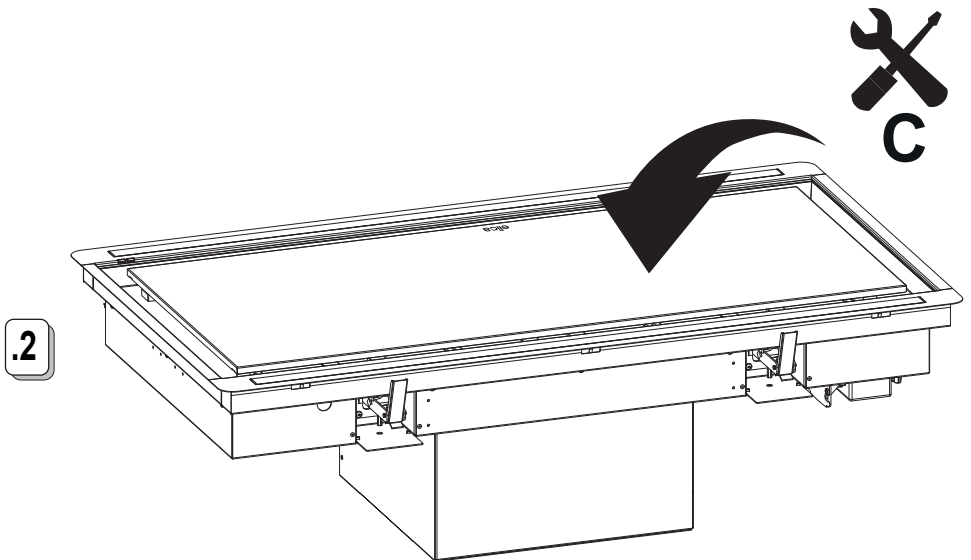
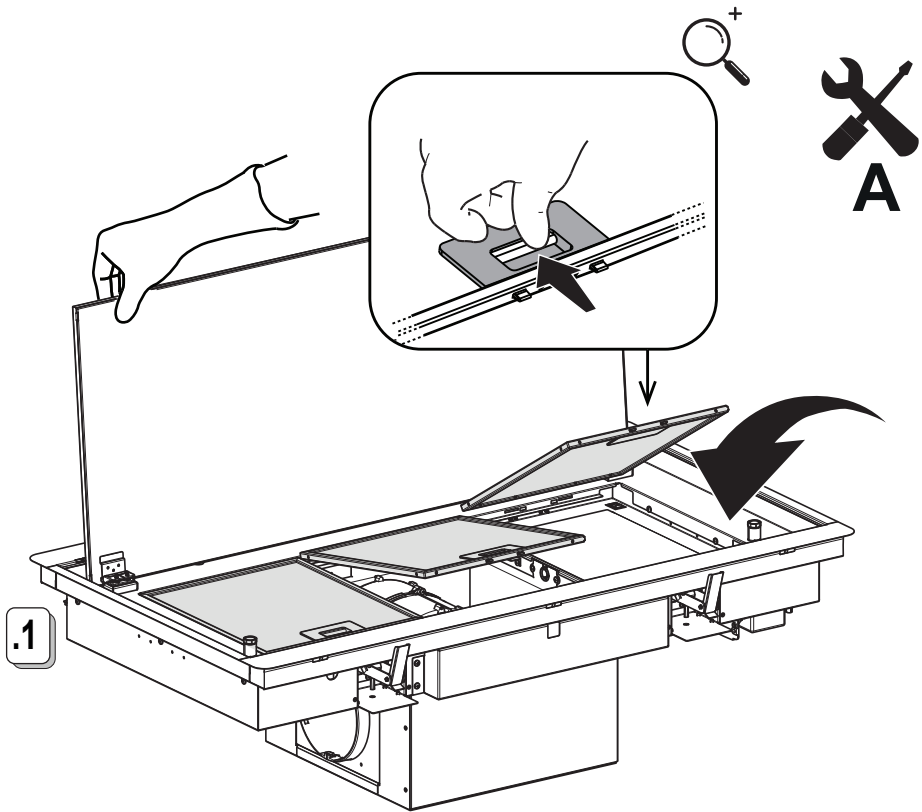
Remove J-box Cover
Enlever le couvercle de la boîte de jonction
quitar la cubierta de conexiones

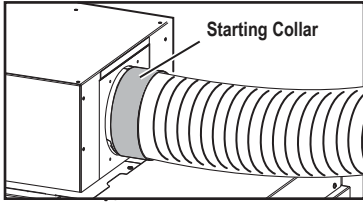
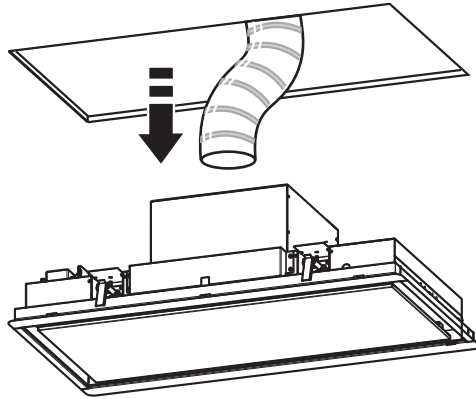


Close J-box Cover
Fermer le couvercle de la boîte de jonction
Cerrar la cubierta de conexiones

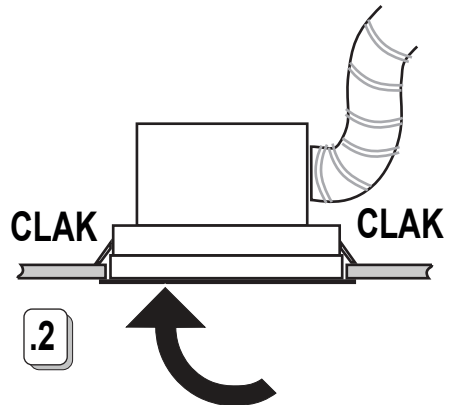
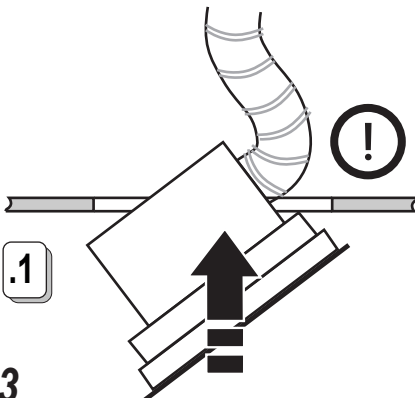
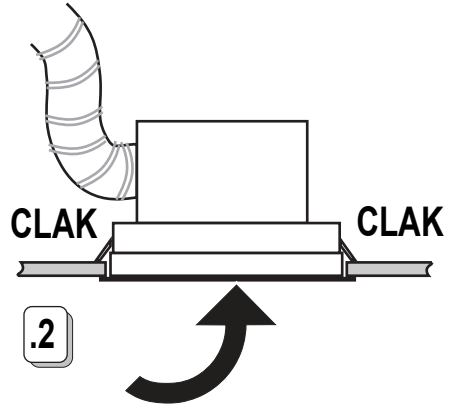
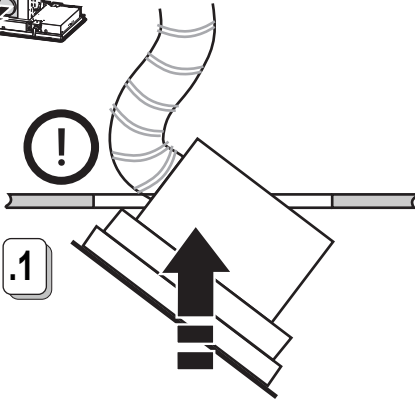
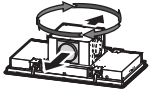


ON/OFF

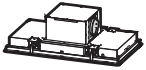




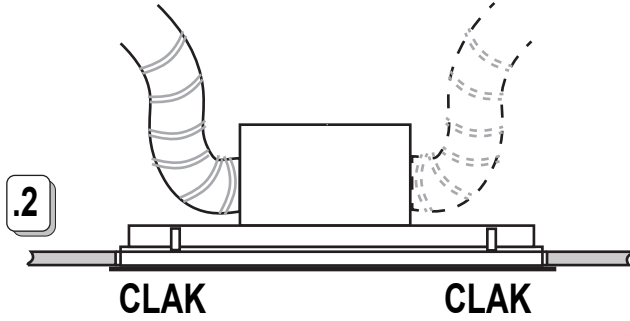
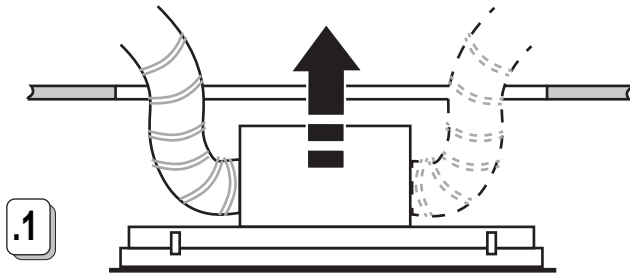
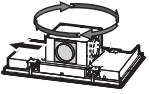
Inst. M3



Inst. M1

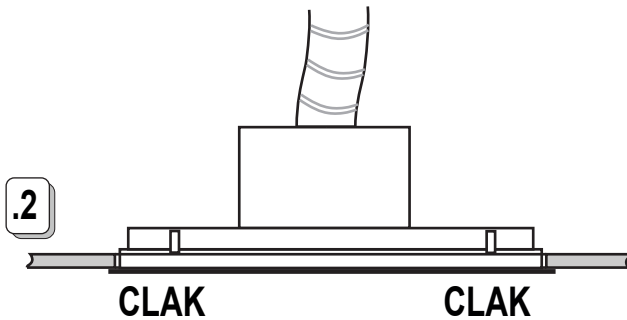
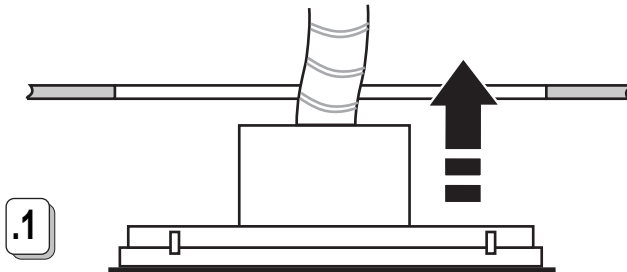
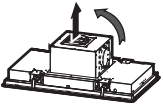


Inst. M2

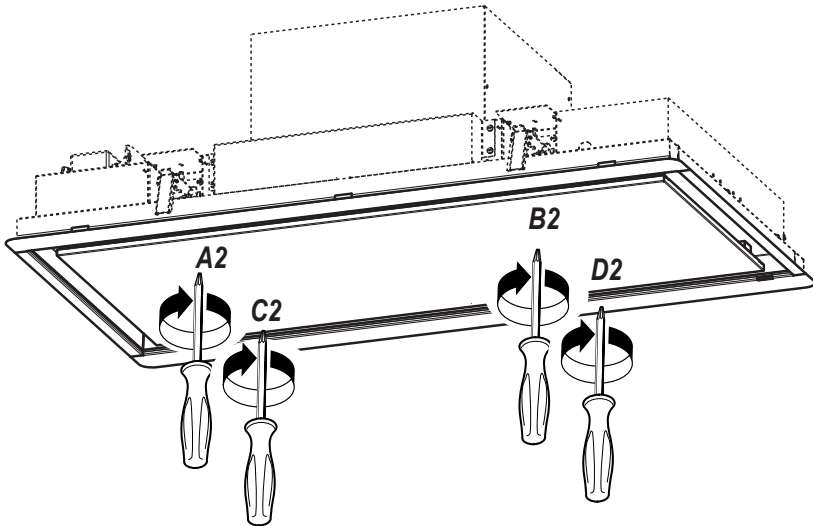
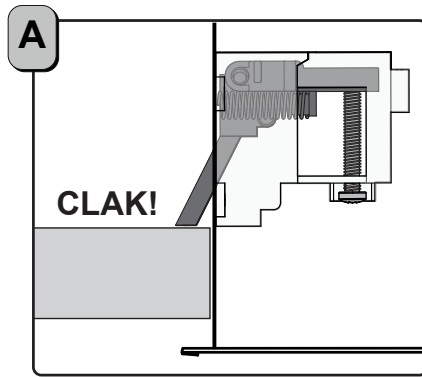


13.1

Inst. M4

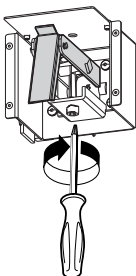


13.1



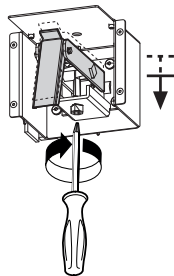
.1

A2-B2-C2-D2



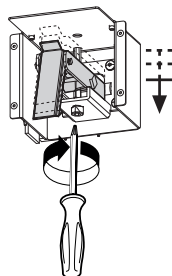
.2

A2-B2-C2-D2



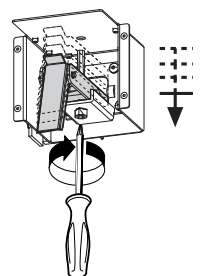
.3

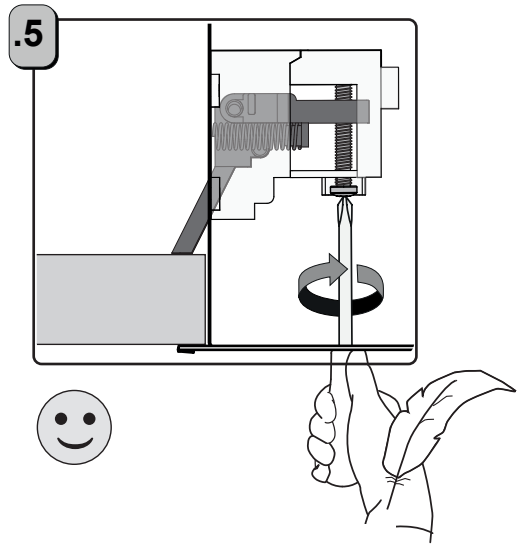
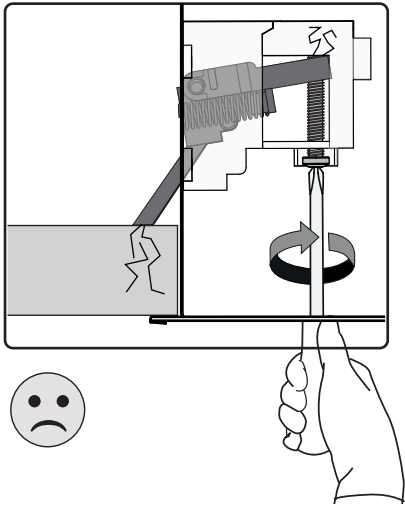
A2-B2-C2-D2



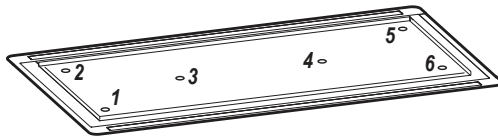
.4

A2-B2-C2-D2





14.1

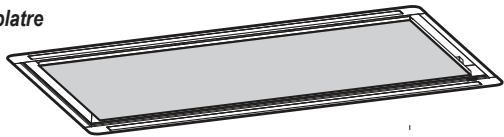


1-2-3-4-5-6

Gypsum board fixing points

Points de fixation de panneaux en placoplâtre

Puntos de fijación del panel de yeso



15

elica®



LIB0158024C Ed. 03/25