

# Gas Front Load Dryers

EWMGD70J RR/MB/TS/SS/IW

Wave-Touch™ Electronic Controls Featuring Perfect Steam™



Turquoise Sky  
EWMGD70J TS



Red Hot Red



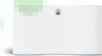
Mediterranean Blue



Turquoise Sky



Silver Sands



Island White

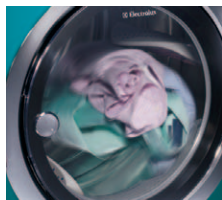
Optional Luxury-Glide®  
Touch-2-Open™  
Pedestals Shown in  
Available Colors.



**Fastest Dry Time<sup>1</sup>**  
14 minutes to dry.



**Largest Capacity Dryer<sup>2</sup>**  
Dry the most in one load with our  
8.0 cubic foot dryer.



**Perfect Steam™ Dryer**  
The latest technology removes wrinkles  
and freshens clothes. Exclusive "Add Steam"  
option is the ideal finish for your clothes  
and even helps eliminate static electricity.



**Specialty Cycles**  
Right for those special items close to you –  
everything from workout gear to Molly's teddy  
bear, from comforters to pillows, even a selection  
for your favorite bath mats.

## 27" GAS FRONT LOAD DRYERS

|              |             |
|--------------|-------------|
| Capacity IEC | 8.0 Cu. Ft. |
|--------------|-------------|

| Features   |     |
|--|-----|
| Signature Soft-Arc Door Design                   | Yes |
| Wave-Touch™ Electronic Controls with LCD Display | Yes |
| Perfect Steam™ Dry System                        | Yes |
| Perfect Tumble™ Dry System                       | Yes |
| Luxury-Quiet™ Sound Package                      | Yes |
| Luxury-Design™ Lighting                          | Yes |
| Luxury-Dry™ System                               | Yes |
| Touch-2-Open™/(Close) Door                       | Yes |
| Exact Dry™ Moisture Sensor                       | Yes |
| Stainless Steel Dryer Drum                       | Yes |
| Tumble Speed (RPM)                               | 50  |
| Reversible Door                                  | Yes |
| Adjustable Leveling Legs                         | Yes |
| NSF® Certified                                   | Yes |

| Cycles   |           |
|--|-----------|
| Fast Dry, My Favorites (3), Heavy Duty*, Bulky/Bedding*, Mixed Load*, Towels, Normal*, Active Wear*, Casual*, Delicate*, Perfect Steam™*, Timed Dry (*Can be used with Add Steam option) | 14        |
| Specialty Cycles –<br>Jeans, Warm Up, Stuffed Animals*, Pet Beds, Fast Steam, Comforter, Kids Wear, Air Clean, Wool (*Can be used with Add Steam option)                                 | 9         |
| Individual Custom Options (3) –<br>Additional user settings, each with 11 cycles, 9 Specialty and 3 My Favorites (23)  | 69        |
| <b>Total Cycles Available</b>  | <b>92</b> |

| Options                     |            |
|-----------------------------|------------|
| Temperature Selections      | 7          |
| Add Steam                   | 8          |
| Electronic Auto Dry System  | Yes        |
| Manual Timed Dry Selections | 6          |
| End-of-Cycle Chime          | Adjustable |

| Installation Options  |     |
|---|-----|
| Freestanding, Under Counter*, Stacked (Above Washer), Pedestal, Hidden (In Closet), Second Floor, 4-Way Dryer Venting | Yes |

| Accessories  |          |
|--|----------|
| Luxury-Glide® Touch-2-Open™/(Close) Pedestal – See Back for Part Numbers | Optional |
| Dryer Stacking Kit – PN# ESTACKIT  | Optional |
| LP Gas Conversion Kit – PN# 134709300                                    | Optional |
| Mobile Home Installation Kit – PN# 137067200                             | Optional |
| Drying Rack – PN# 134912700  | Included |

| Specifications     |    |
|--------------------|----|
| Color –            |    |
| Red Hot Red        | RR |
| Mediterranean Blue | MB |
| Turquoise Sky      | TS |
| Silver Sands       | SS |
| Island White       | IW |

| Product Dimensions –                                |  |
|---|--|
| Height (Without 15" Pedestal)                       | 38"                                      |
| (With 15" Pedestal)                                 | 53"                                      |
| Width   | 27"                                      |
| Depth (to Center of Arc Including Door and Exhaust) | 31-1/2"                                  |
| (with 90° Door Open)                                | 50-5/8"                                  |
| Gas/Power Supply Connection Location                | Bottom Center Rear/<br>Bottom Right Rear |
| Voltage Rating                                      | 120V/60Hz/15A                            |
| Connected Load (kW Rating) @ 120 Volts†             | 1.1                                      |
| Amps @ 120 Volts                                    | 9  |
| Heating Element (BTU/HR)                            | 22,000                                   |
| Shipping Weight (Approx.)                           | 140 Lbs.                                 |

\*Side-by-Side units in under-counter installation require custom-built countertop and/or cabinet.

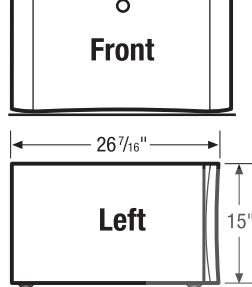
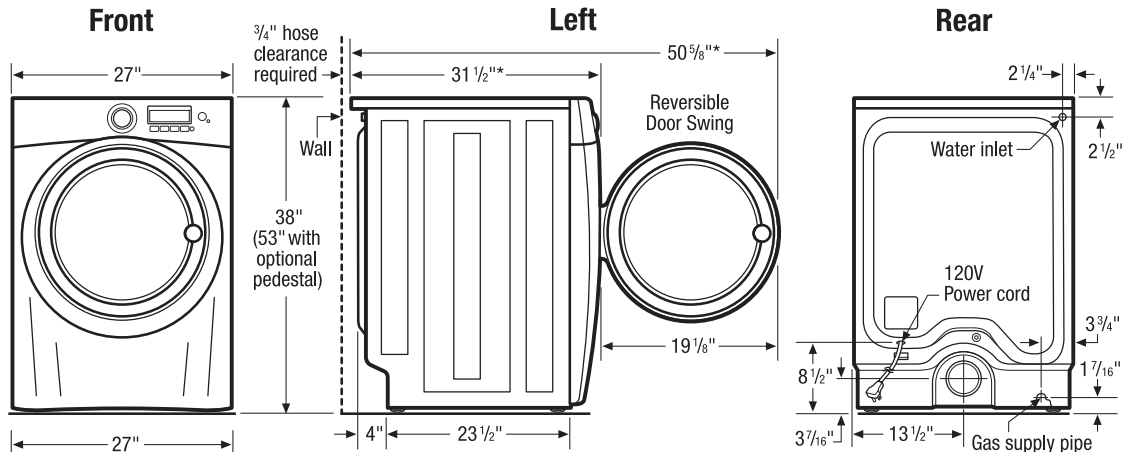
†For use on adequately wired 120V, dedicated circuit having 2-wire service with a separate ground wire. Appliance must be grounded for safe operation.

NOTE: Always consult local and national electric, gas & plumbing codes. Refer to Product Installation Guide for detailed installation instructions on the web at [www.electroluxappliances.com](http://www.electroluxappliances.com). Specifications subject to change.

<sup>1</sup>Fastest time based on smallest load/Fast Dry cycle selected for various load compositions.

<sup>2</sup>Based on manufacturer specifications.



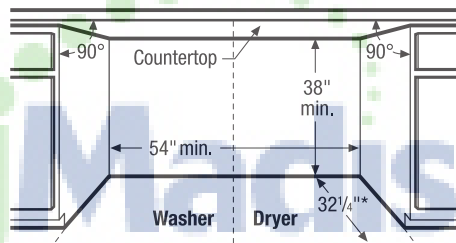


### 15" Drawer Pedestal Installation

Elevates dryer height to 53". For detailed pedestal installation, refer to instructions included with pedestal or on web. **Note:** Pedestal Installation requires modified utility hookup locations. For details, refer to Product Installation Guide on web.

### Built-In Installations

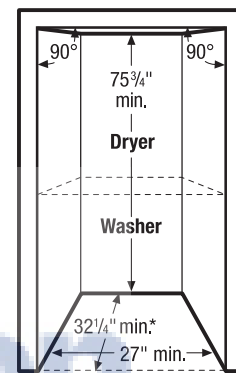
For built-in installations, 3/4" steam hose clearance required at back of dryer, NO minimum clearance required around sides of units. For closet installation, allow 1" clearance between fronts of units and door. Location of plumbing, exhaust and utility hookups MUST be considered in built-in installations. For additional installation details, refer to Product Installation Guides on web.



### Side-by-Side Units in Under-Counter Installation

Requires custom-built countertop and/or cabinetry.

\* To achieve minimal depth dimensions or clearances, dryer MUST be vented straight back or with quick-turn 90° elbow.



### Stacked Units in Recessed or Closet Installation

For detailed stacked installation, refer to instructions included with Stacking Kit or on web. **Note:** Stacked installation requires modified utility hookup locations for dryer. For details, refer to Product Installation Guide on web.

### Gas Dryer Specifications

- Product Weight – 130 Lbs.
- An electrical supply with grounded three-prong receptacle is required. The power supply circuit must be installed in accordance with current edition of National Electrical Code (ANSI/NFPA 70) and local codes & ordinances. (Do not use same circuit as washer.)
- Voltage Rating – 120V/60Hz/15 Amps
- Amps @ 120 Volts = 9 Amps
- Connected Load (kW Rating) @ 120 Volts = 1.1kW
- Equipped with 120V 3-wire power supply cord, approx. 60" long.
- Always consult local and national electric, gas & plumbing codes.
- Can be installed alone, with or without optional 15" drawer pedestal, or stacked above matching Electrolux Washer, which requires installation of optional dryer stacking kit. (For installation details, refer to instructions included with optional pedestal or stacking kit or on web.)
- Can be built in with matching Electrolux Washer in under-counter, recessed or closet installation. Installations requiring countertop and/or cabinetry will require custom building. (Refer to Built-In Installations on this page for cutout dimensions. For additional installation details, refer to Product Installation Guide on web.)
- Closet installation requires vented door with 2 unobstructed louvered openings, minimum 60 sq.in. each, located 3" from top and bottom of door. Full-length 120 sq.in. opening also acceptable. Allow 1" clearance between door and fronts of units.
- Do NOT install in area exposed to dripping water or outdoor weather conditions, or where gasoline or other flammables, including automobiles, are kept or stored.

- Floor MUST be solid with 1" maximum slope. To ensure vibration or movement does not occur, reinforcement of floor may be necessary. Do NOT install on carpeted surface.
- Dryer MUST exhaust to outside of building, NOT into any concealed space.
- Dryer equipped for 4-way venting and approved for up to 125-foot-equivalent of duct length, determined by length of run and number of elbows needed.
- Exhaust installation requires minimum 4"-diameter rigid or flexible metal duct with approved vent hood having swing-out damper(s). Do NOT use flexible plastic or metal foil duct and use shortest run possible.
- Gas supply line should be 1/2" pipe and MUST have individual shutoff valve.
- Leveling legs supplied to level dryer properly and reduce excessive noise and vibration.
- Water inlet hose for steam setting connects to cold water supply with "Y" connector and requires 3/4" clearance between back of unit and wall.

**Note:** For planning purposes only. Refer to Product Installation Guide on the web at [electroluxappliances.com](http://electroluxappliances.com) for detailed instructions.

### Optional Accessories

- Drawer Pedestals – Red Hot Red (PN# EPWD15RR), Mediterranean Blue (PN# EPWD15MB), Turquoise Sky (PN# EPWD15TS), Silver Sands (PN# EPWD15SS), Island White (PN# EPWD15IW).
- Dryer Stacking Kit – (PN# ESTACKIT).
- Mobile Home Installation Kit – (PN# 13706720 0).
- LP Gas Conversion Kit – (PN# 134709300).

