

# Front Load Washers

EWFLS70J RR/MB/TS/SS/IW

## Wave-Touch™ Electronic Controls Featuring Perfect Steam™



Turquoise Sky  
EWFLS70J TS



Red Hot Red



Mediterranean Blue



Turquoise Sky



Silver Sands



Island White

Optional Luxury-Glide®  
Touch-2-Open™  
Pedestals Shown in  
Available Colors.



### Fastest Wash Time<sup>1</sup>

15 minutes to wash.



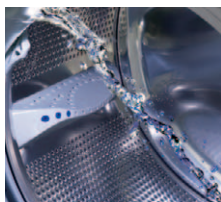
### Largest Capacity Washer<sup>2</sup>

Wash the most in one load with our 5.1 cubic foot washer.



### Perfect Steam™

Add steam to select wash cycles to gently deep clean clothes for whiter whites and better stain removal. Plus, your clothes come out with less wrinkles. The "Add Steam" option can be used with 13 select cycles like normal, whites and fast.



### Expert Care™ Wash System

Expert Care™ Wash System is a unique programmed wash action that uses up to 10 combinations of wash speeds, clothes rotation direction, wash time and pause to soak time for everything you wash.

## 27" ELECTRIC FRONT LOAD WASHERS

|              |             |
|--------------|-------------|
| Capacity IEC | 5.1 Cu. Ft. |
|--------------|-------------|

### Features

|  |                |
|--|----------------|
| Wave-Touch™ Electronic Controls with LCD Display     | Yes            |
| Perfect Steam™ Wash System                           | Yes            |
| Perfect Balance™ System                              | Yes            |
| Luxury-Quiet™ Sound Package                          | Yes            |
| Luxury-Design™ Lighting                              | Yes            |
| Touch-2-Open™/(Close) Door                           | Yes            |
| Luxury-Glide® Touch-2-Open™/(Close) Dispenser Drawer | Yes            |
| Full Fabric Stain Removal Guide                      | Yes            |
| Expert Care™ Wash System                             | Yes            |
| Integral Water Heater                                | Yes            |
| Stainless Steel Wash Drum                            | Yes            |
| Automatic Temperature Control                        | Yes            |
| Automatic Water Level Adjustment                     | Yes            |
| Auto Prewash Detergent Dispenser (Liquid/Powder)     | Yes            |
| Auto Bleach Dispenser (Liquid Only)                  | Yes            |
| Auto Detergent Dispenser (Liquid/Powder)             | Yes            |
| Auto Fabric Softener Dispenser                       | Yes            |
| Tumble Speed (RPM)                                   | 48-52 Variable |
| Spin Speed (RPM)                                     | 1,400          |
| Reversible Door                                      | Yes            |
| ENERGY STAR®   | Yes            |
| NSF® Certified (Allergen & Sanitize)                 | Yes            |

### Cycles

|   |           |
|---|-----------|
| Fast Wash; My Favorites (3), Deep Clean Sanitize; Heavy Duty; Whites; Colors; Normal; Active Wear; Casual; Delicates; Hand Wash; Rinse/Spin Only (*Can be used with Add Steam option) | 14        |
| Specialty Cycles – Jeans, Fast Sanitize, Stuffed Animals; Pet Beds; Clean Washer, Steam Prewash; Kids Wear; Fast Steam; Wool (*Can be used with Add Steam option)                     | 9         |
| Individual Custom Options (3) – Additional user settings, each with 11 cycles, 9 Specialty and 3 My Favorites (23)  | 69        |
| <b>Total Cycles Available</b>   | <b>92</b> |

### Options

|                                     |            |
|-------------------------------------|------------|
| Wash/Rinse Temperature Combinations | 9          |
| Temperature Selections              | 6          |
| Add Steam                           | 8          |
| Spin Speed Selections               | 6          |
| Soil Level Selections               | 6          |
| Delay Start (Hours)                 | 22         |
| End-of-Cycle Chime                  | Adjustable |

### Installation Options

|   |     |
|---|-----|
| Freestanding, Under Counter*, Stacked (Under Dryer), Pedestal, Hidden (In Closet), Second Floor | Yes |
|---|-----|

### Accessories

|  |          |
|--|----------|
| Luxury-Glide® Touch-2-Open™/(Close) Pedestal – See Back for Part Numbers | Optional |
| Dryer Stacking Kit – PN# ESTACKIT  | Optional |
| Drain Hose Extension Kit – PN# 137098000                                 | Optional |
| Mobile Home Installation Kit – PN# 137067200                             | Optional |

### Specifications

|  |                                |
|--|--------------------------------|
| Color –  |                                |
| Red Hot Red  | RR                             |
| Mediterranean Blue   | MB                             |
| Turquoise Sky  | TS                             |
| Silver Sands   | SS                             |
| Island White   | IW                             |
| Product Dimensions –   |                                |
| Height – without 15" Pedestal/with 15" Pedestal                  | 38"/53"                        |
| Width  | 27"                            |
| Depth (to Center of Arc Not Including Hose) (with 90° Door Open) | 31-1/2"<br>50-5/8"             |
| Power Supply / Water Inlet Location                              | Top Right Rear / Top Left Rear |
| Voltage Rating   | 120V/60Hz/15A                  |
| Connected Load (kW Rating) @ 120 Volts†                          | 1.4                            |
| Watts @ 120 Volts  | 1,000                          |
| Amps @ 120 Volts   | 12                             |
| Shipping Weight (Approx.)  | 247 Lbs.                       |

\*Side-by-Side units in under-counter installation require custom-built countertop and/or cabinetry.

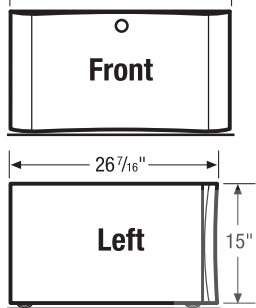
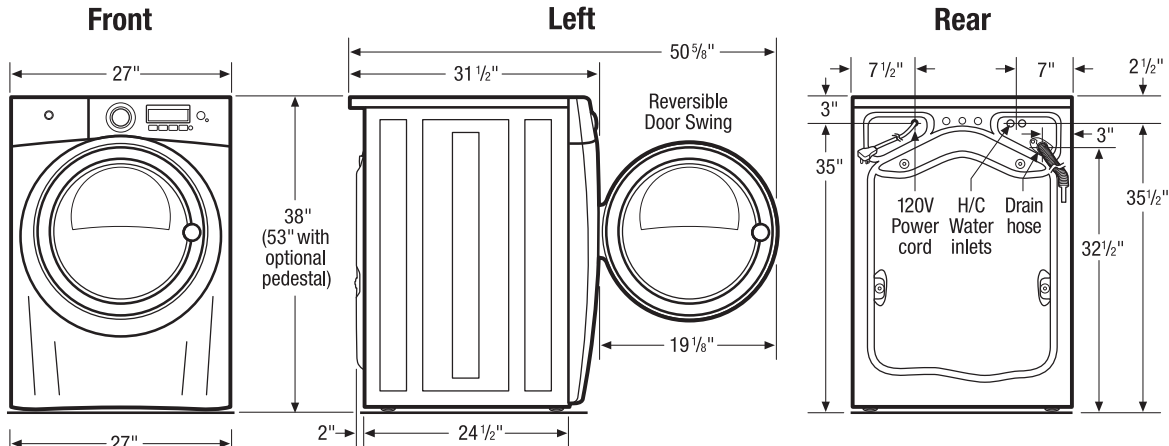
†For use on adequately wired 120V, dedicated circuit having 2-wire service with a separate ground wire. Appliance must be grounded for safe operation.

NOTE: Always consult local and national electric & plumbing codes. Refer to Product Installation Guide for detailed installation instructions on the web at [www.electroluxappliances.com](http://www.electroluxappliances.com). Specifications subject to change.



<sup>1</sup> Fastest time based on smallest load/Fast Wash cycle selected for various load compositions.

<sup>2</sup> Based on manufacturer specifications.

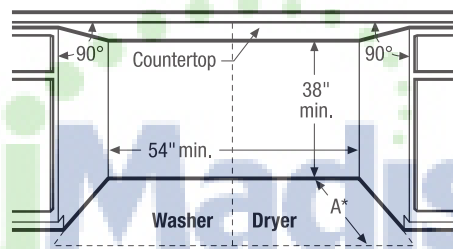


### 15" Drawer Pedestal Installation

Elevates dryer height to 53". For detailed pedestal installation, refer to instructions included with pedestal or on web. **Note:** Pedestal Installation requires modified utility hookup locations. For details, refer to Product Installation Guide on web.

### Built-In Installations

For built-in installations, NO minimum clearance required around sides and backs of units. (Steam dryers only will require 3/4" steam hose clearance at back of unit.) For closet installation, allow 1" clearance between fronts of units and door. Location of plumbing, exhaust and utility hookups MUST be considered in built-in installations. For additional installation details, refer to Product Installation Guides on web.

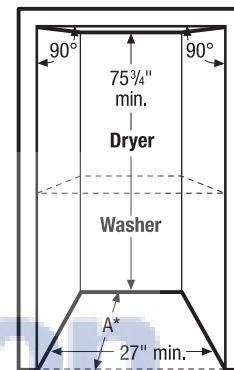


### Side-by-Side Units in Under-Counter Installation

Requires custom-built countertop and/or cabinetry.

A - 31 1/2" (with non-steam dryer) / 32 1/4" (with steam dryer)

\* To achieve minimal depth dimensions or clearances, dryer MUST be vented straight back or with quick-turn 90° elbow.



### Stacked Units in Recessed or Closet Installation

For detailed stacked installation, refer to instructions included with Stacking Kit or on web. **Note:** Stacked installation requires modified utility hookup locations for dryer. For details, refer to Product Installation Guide on web.

### Front Load Washer Specifications

- Product Weight – 237 Lbs.
- An electrical supply with grounded three-prong receptacle is required. The power supply circuit must be installed in accordance with current edition of National Electrical Code (ANSI/NFPA 70) and local codes & ordinances. (Do not use same circuit as dryer.)
- Voltage Rating – 120V/60Hz/15 Amps
- Amps @ 120 Volts = 12 Amps
- Connected Load (kW Rating) @ 120 Volts = 1.4kW
- Equipped with 120V 3-wire power supply cord, approx. 60" long.
- Always consult local and national electric & plumbing codes.
- To maximize detergent effectiveness, ambient temperature should never be below 60°F.
- Can be installed alone, with or without optional 15" drawer pedestal, or stacked beneath matching Electrolux Dryer, which requires installation of optional dryer stacking kit. (For installation details, refer to instructions included with optional pedestal or stacking kit or on web.)
- Can be built in with matching Electrolux Dryer in under-counter, recessed or closet installation. Installations requiring countertop and/or cabinetry will require custom building. (Refer to Built-In Installations on this page for cutout dimensions. For additional installation details, refer to Product Installation Guide on web.)
- Closet installation requires vented door with 2 unobstructed louvered openings, minimum 60 sq.in. each, located 3" from top and bottom of door. Full-length 120 sq.in. opening also acceptable. Allow 1" clearance between door and fronts of units.

- Do NOT install in area exposed to dripping water or outdoor weather conditions, or where gasoline or other flammables, including automobiles, are kept or stored.
- Floor MUST be solid with 1" maximum slope. To ensure vibration or movement does not occur, reinforcement of floor may be necessary. Do NOT install on carpeted surface.
- Leveling legs supplied to level washer properly and reduce excessive noise and vibration.
- H/C water faucets MUST be installed within 42" of washer's water inlet and MUST be 3/4" garden hose type, to connect to 48-1/2" inlet hoses.
- Water pressure MUST be between 30 and 120 psi with NOT more than 10 psi pressure difference between hot and cold.
- Drain required with standpipe diameter of 1-1/4" min. and height of 24" min./96" max. above floor, capable of eliminating 17 gallons per minute. Attached 59" drain hose can reach 79"-high standpipe.

**Note: For planning purposes only. Refer to Product Installation Guide on the web at [electroluxappliances.com](http://electroluxappliances.com) for detailed instructions.**

### Optional Accessories

- Drawer Pedestals – Red Hot Red (PN# EPWD15RR), Mediterranean Blue (PN# EPWD15MB), Turquoise Sky (PN# EPWD15TS), Silver Sands (PN# EPWD15SS), Island White (PN# EPWD15IW).
- Dryer Stacking Kit – (PN# ESTACKIT).
- Drain Hose Extension Kit – (PN# 137098000).
- Mobile Home Installation Kit – (PN# 137067200).

