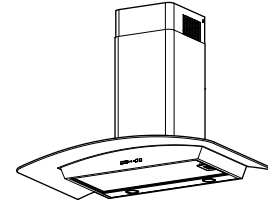


# Chimney Range Hood



## READ AND SAVE THESE INSTRUCTIONS

### ⚠ FOR DOMESTIC COOKING ONLY ⚠

#### WARNING

**TO REDUCE THE RISK OF FIRE, ELECTRIC SHOCK, OR INJURY TO PERSON(S) OBSERVE THE FOLLOWING:**

1. Use this unit only in the manner intended by the manufacturer. If you have questions, contact the manufacturer at the address or telephone number listed in the warranty.
2. Before servicing or cleaning unit, switch power off at service panel and lock service disconnecting means to prevent power from being switched on accidentally. When the service disconnecting means cannot be locked, securely fasten a prominent warning device, such as a tag, to the service panel.
3. Installation work and electrical wiring must be done by qualified personnel in accordance with all applicable codes and standards, including fire-rated construction codes and standards.
4. Sufficient air is needed for proper combustion and exhausting of gases through the flue (chimney) of fuel burning equipment to prevent back drafting. Follow the heating equipment manufacturer's guideline and safety standards such as those published by the National Fire Protection Association (NFPA), and the American Society for Heating, Refrigeration and Air Conditioning Engineers (ASHRAE), and the local code authorities.
5. This product may have sharp edges. Be careful to avoid cuts and abrasions during installation and cleaning.
6. When cutting or drilling into wall or ceiling, do not damage electrical wiring and other hidden utilities.
7. Ducted fans must always be vented to the outdoors.
8. Use only metal ductwork.
9. Do not use this unit with any other solid-state speed control device.
10. Do not operate any fan with a damaged cord or plug. Discard fan or return to an authorized service facility for examination and/or repair.
11. **GROUNDING INSTRUCTION:** The appliance must be grounded. In the event of an electrical short circuit, grounding reduces the risk of electric shock by providing an escape wire for the electric current. The appliance is equipped with a cord having a grounding wire with a grounding plug. The plug must be plugged into an outlet that is properly installed and grounded. **WARNING:** Improper grounding can result in a risk of electric shock. Consult a qualified electrician if the grounding instructions are not completely understood, or if doubt exists as to whether the appliance is properly grounded. Do not use an extension cord. If the power supply cord is too short, have a qualified electrician install an outlet near the appliance.

**TO REDUCE THE RISK OF A RANGE TOP GREASE FIRE:**

- a) Never leave surface units unattended at high settings. Boilovers cause smoking and greasy splatters that may ignite. Heat oils slowly on low or medium settings.
- b) Always turn hood ON when cooking at high heat or when flambéing food (i.e. Crêpes Suzette, Cherries Jubilee, Peppercorn Beef Flambe).
- c) Clean ventilating fans frequently. Grease should not be allowed to accumulate on fan or filters.
- d) Use proper pan size. Always use cookware appropriate for the size of the surface element.

#### WARNING

**TO REDUCE THE RISK OF INJURY TO PERSON(S) IN THE EVENT OF A RANGE TOP GREASE FIRE, OBSERVE THE FOLLOWING\*:**

1. **SMOTHER FLAMES** with a close-fitting lid, cookie sheet, or metal tray, then turn off the burner. **BE CAREFUL TO PREVENT BURNS. IF THE FLAMES DO NOT GO OUT IMMEDIATELY, EVACUATE AND CALL THE FIRE DEPARTMENT.**
  2. **NEVER PICK UP A FLAMING PAN** – You may be burned.
  3. **DO NOT USE WATER**, including wet dishcloths or towels – a violent steam explosion will result.
  4. Use an extinguisher **ONLY** if:
    - A. You know you have a Class ABC extinguisher, and you know how to operate it.
    - B. The fire is small and contained in the area where it started.
    - C. The fire department is being called.
    - D. You can fight the fire with your back to an exit.
- \* Based on "Kitchen Fire Safety Tips" published by NFPA

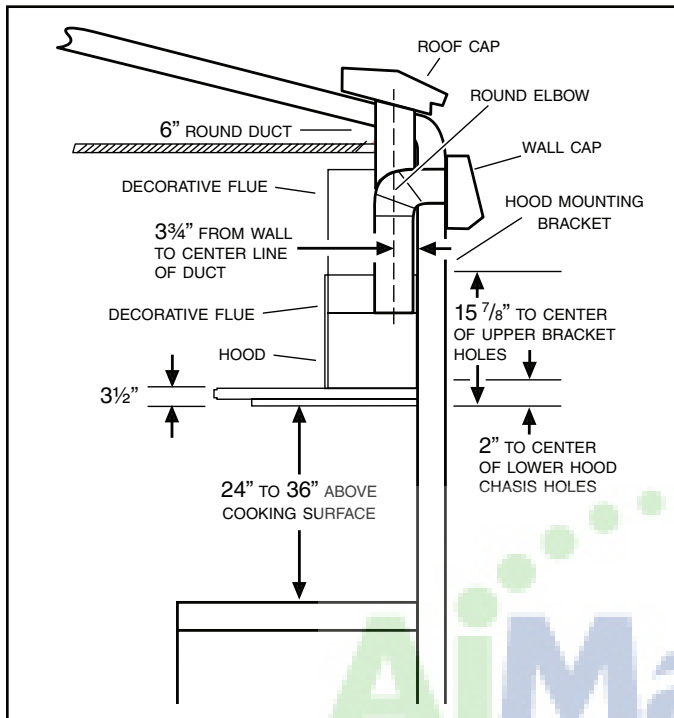
#### CAUTION

1. For indoor use only.
2. For general ventilating use only. Do not use to exhaust hazardous or explosive materials and vapors.
3. To avoid motor bearing damage and noisy and/or unbalanced impeller, keep drywall spray, construction dust, etc. off power unit.
4. Your hood motor has a thermal overload which will automatically shut off the motor if it becomes overheated. The motor will restart when it will cool down. If the motor continues to shut off and restart, have the hood serviced.
5. The bottom of the hood **MUST NOT BE LESS** than 24" and recommended at a maximum of 36" above cooktop for best capture of cooking impurities.
6. Two installers are recommended because of the size of this hood.
7. To reduce risk of fire and to properly exhaust air, be sure to duct air outside. Do not exhaust air into spaces within walls or ceilings or into attics, crawl spaces, or garages.
8. Be careful when installing the decorative flue and hood, they may have sharp edges.
9. This hood is not intended to be used as a shelf.
10. Please read specification label on product for further information and requirements.

Register your product online at: [www.broan.com](http://www.broan.com)

**Installer: Leave this manual with the homeowner.  
Homeowner: Operation and Maintenance instructions on pages 7 & 8.**

## MEASURE THE INSTALLATION



The minimum hood distance above cooktop MUST NOT BE LESS than 24".

A maximum of 36" above cooktop is recommended for best capture of cooking impurities.

Distances over 36" are at the installer and users discretion; providing that the ceiling height permits.

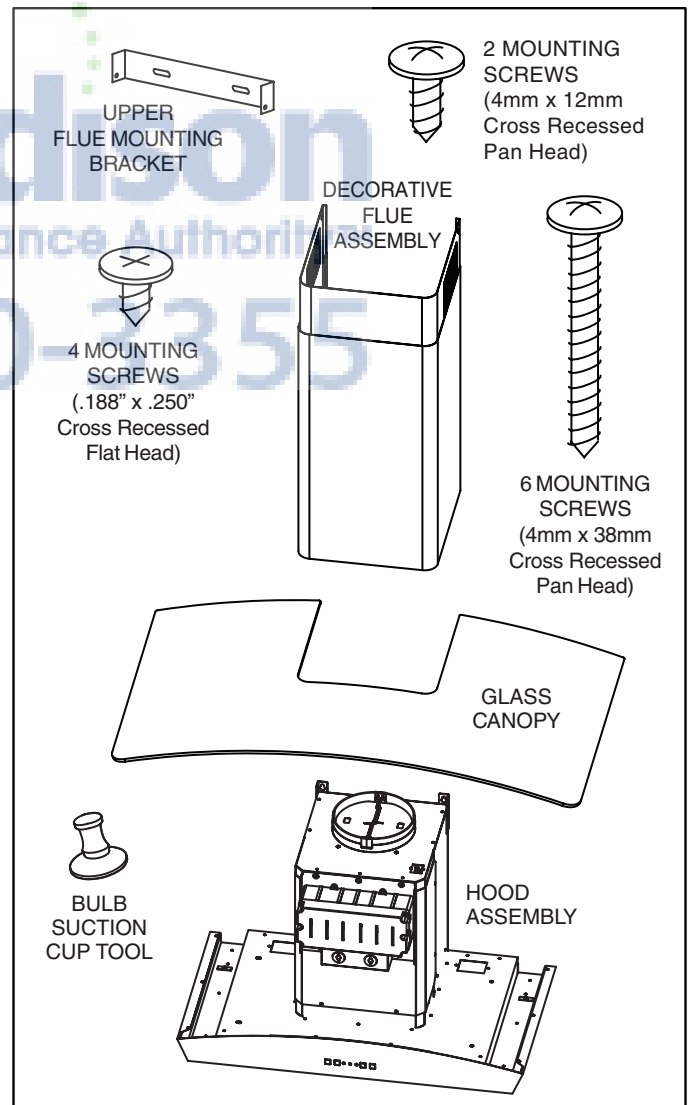
## INSTALL THE DUCTWORK (Ducted Hoods Only)

1. Decide where the ductwork will run between the hood and the outside.
2. A straight, short duct run will allow the hood to perform most efficiently.
3. Long duct runs, elbows and transitions will reduce the performance of the hood. Use as few of them as possible. Larger ducting may be required for best performance with longer duct runs.
4. Install wall cap or roof cap. Connect round metal ductwork to cap and work back towards the hood location. Use duct tape to seal the joints between ductwork sections.

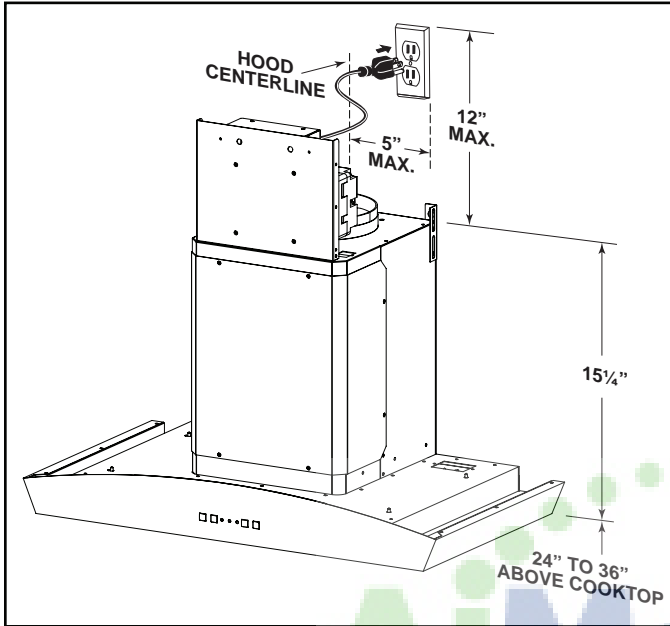
## PREPARE THE HOOD

Unpack hood and check contents. You should receive:

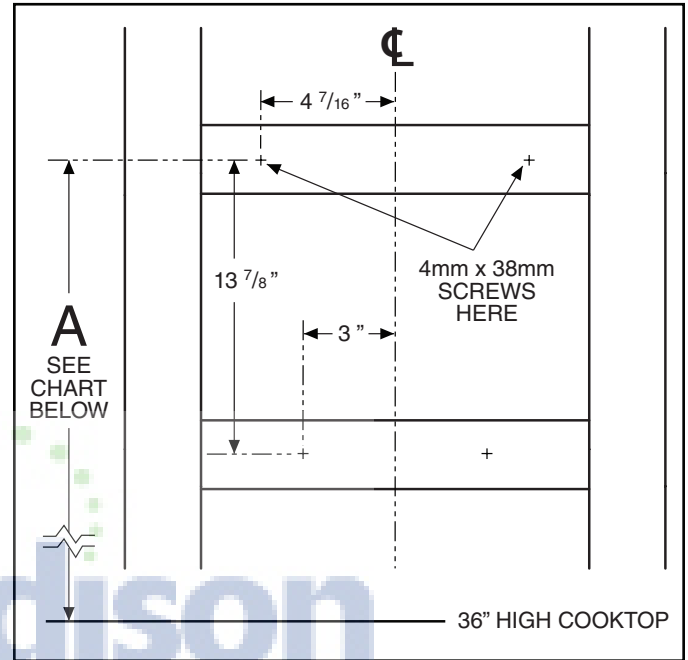
- 1 - Hood Assembly
- 1 - Glass Canopy
- 1 - Decorative Flue Assembly (consisting of upper and lower flue)
- 1 - Upper Flue Mounting Bracket
- 1 - Aluminum Grease Filter (installed on hood)
- 2 - 35W MR16 GU10 Halogen Lamps (installed on hood)
- 1 - Parts Bag containing:
  - 6 - Mounting Screws (4mm x 38mm Cross Recessed Pan Head)
  - 2 - Mounting Screws (4mm x 12mm Cross Recessed Pan Head)
  - 4 - Mounting Screws (.188" x .250" Cross Recessed Flat Head)
  - 1 - Suction Cup Tool
  - 1 - Installation Manual



## INSTALL THE WIRING



## INSTALL THE HOOD MOUNTING SUPPORT



### GROUNDING INSTRUCTIONS

This appliance must be grounded. In the event of an electrical short circuit, grounding reduces the risk of electric shock by providing an escape wire for the electric current. This appliance is equipped with a cord having a grounding wire with a grounding plug. The plug must be plugged into an outlet that is properly installed and grounded.

Position the electrical outlet within the space covered by the decorative flue and where it will not interfere with the round duct. Make sure the outlet is no further than 12" from the top of the hood chassis and that the outlet does not interfere with a mounting bracket fastening area or where the decorative flue touches the wall.

1. Construct wood wall framing that is flush with interior surface of wall studs. Make sure the framing is centered over installation location.

**NOTE**

Hood distance above cooktop is: Minimum 24", Maximum 36" 9-ft. and 10-ft. ceilings may require Flue Extension, Model FXNE56SS depending on installation height (purchase separately). See chart below for additional installation height information.

2. After wall surface is finished, fasten (2) 4mm x 38mm screws at the locations shown above. **DO NOT TIGHTEN** screws all the way.

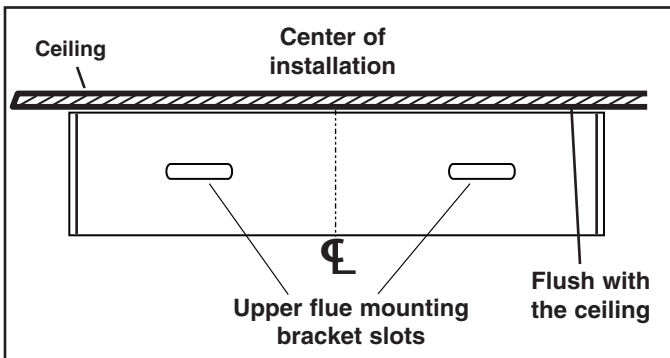
Desired Hood Distance (Above 36" High Cooktop)

Ceiling Height	24"	25"	26"	27"	28"	29"	30"	31"	32"	33"	34"	35"	36"
	Upper Mounting Screws Location (Distance above 36" High Cooktop - (Dimension "A"))												
8 Feet	39-7/8"	40-7/8"	41-7/8"	42-7/8"	43-7/8"	44-7/8"	45-7/8"	46-7/8"	47-7/8"	48-7/8"	*49-7/8"	*50-7/8"	*51-7/8"
9 Feet								**46-7/8"	**47-7/8"	**48-7/8"	49-7/8"	50-7/8"	51-7/8"
9 Feet with FXNE56SS	39-7/8"	40-7/8"	41-7/8"	42-7/8"	43-7/8"	44-7/8"	45-7/8"						
10 Feet with FXNE56SS	39-7/8"	40-7/8"	41-7/8"	42-7/8"	43-7/8"	44-7/8"	45-7/8"	46-7/8"	47-7/8"	48-7/8"	49-7/8"	50-7/8"	51-7/8"

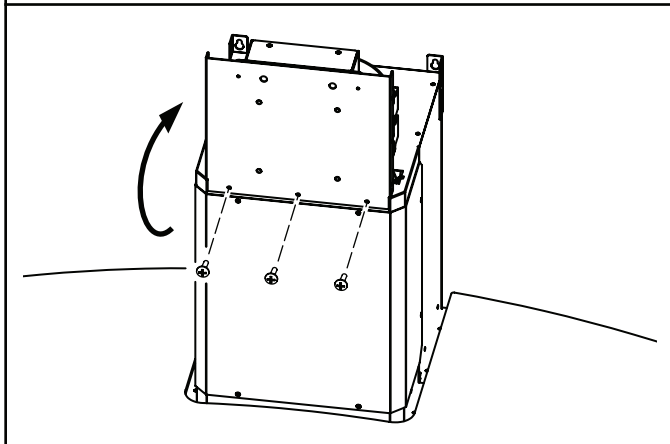
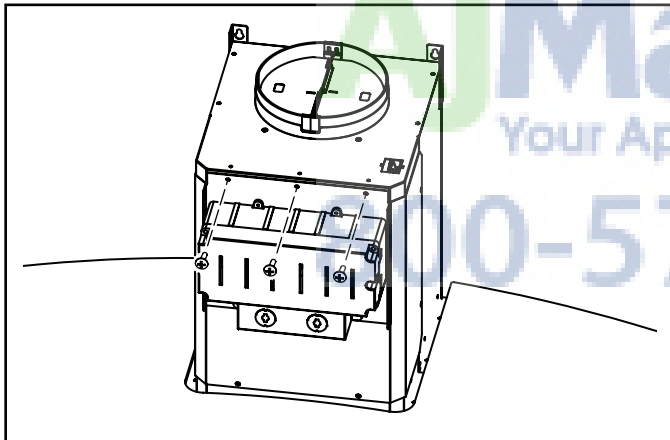
\* Not recommended for non-ducted configuration

\*\* Non-duct recirculation louvers will be exposed in ducted configuration

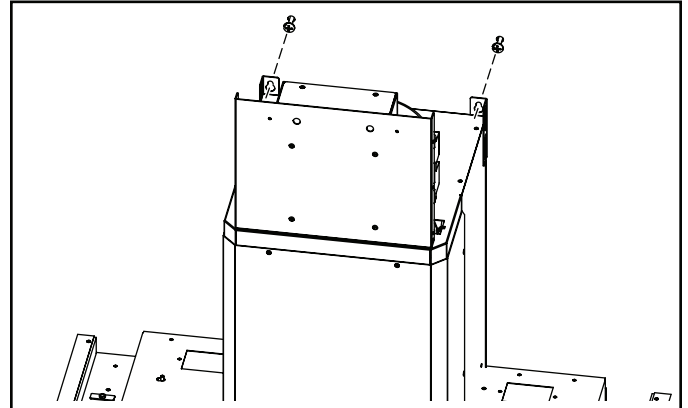
## INSTALL THE HOOD (Ducted Hoods Only)



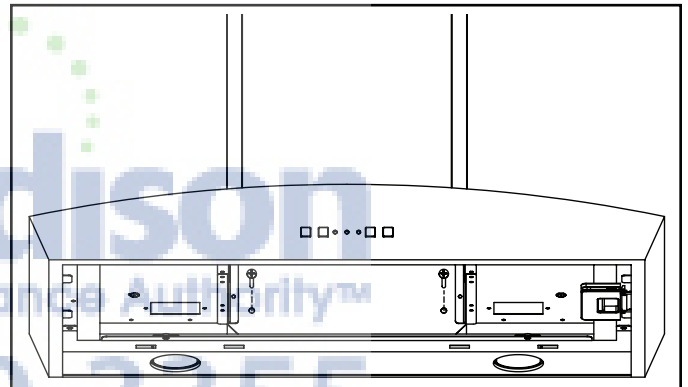
1. Center the flue mounting bracket over the hood location and flush with the ceiling. Secure the upper flue bracket to the wall using (2) 4mm x 38mm mounting screws. Note: Drywall anchors may be needed (not included).
2. Tighten the screws completely. Make sure that the bracket is tight against the wall and ceiling.
3. Remove (3) screws holding electronics mounting bracket to hood. Rotate bracket 180 degrees and re-attach bracket to hood with same (3) screws.



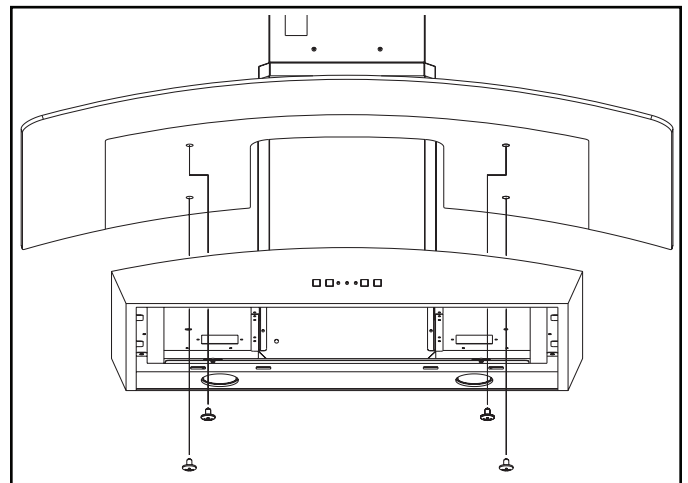
4. Remove the protective plastic film covering the decorative flue and the hood at this time.
5. Remove the grease filter by pulling down the metal latch tab and tilting filter downward to remove.



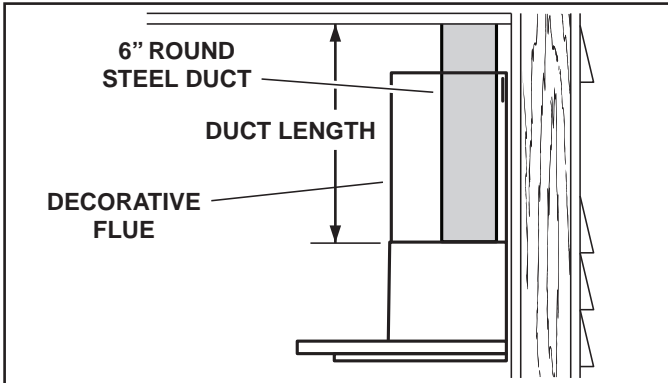
6. Align the keyhole slots on the hood with the mounting screws that were partially tightened into the wall framing. Ensure that hood is seated entirely on mounting screws, and that hood is level. Then tighten screws completely.



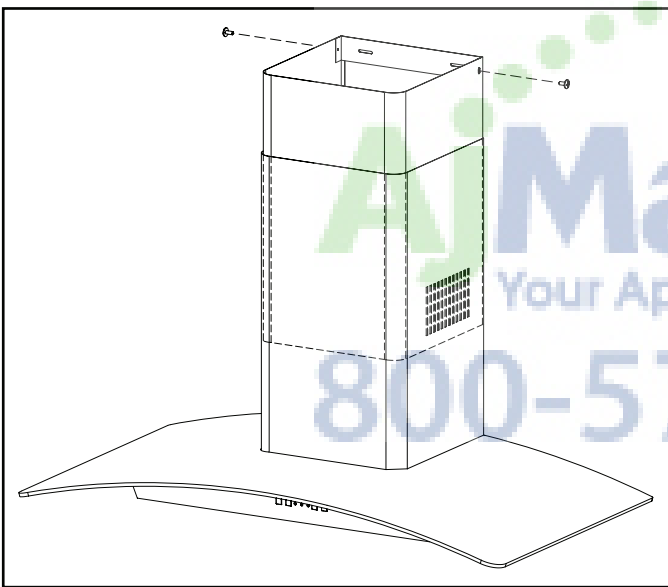
7. Install (2) 4mm x 38mm long screws into the holes inside the hood and tighten them securely.



8. Carefully place glass canopy on top of the hood. Align nuts on glass canopy with holes inside the hood. Attach canopy with (4) .188" x .250" long flat head screws. Tighten screws securely but **DO NOT OVERTIGHTEN**.
9. Reinstall grease filter by aligning side filter tab with slots in the hood. Pull down the metal latch tab, push filter into position and release. Make sure filter is securely engaged after installation.



10. Measure and install steel ductwork to hood duct connector and ductwork rough-in on ceiling or wall. Use duct tape to make all joints secure and air tight.
11. Plug power cord into wall outlet.



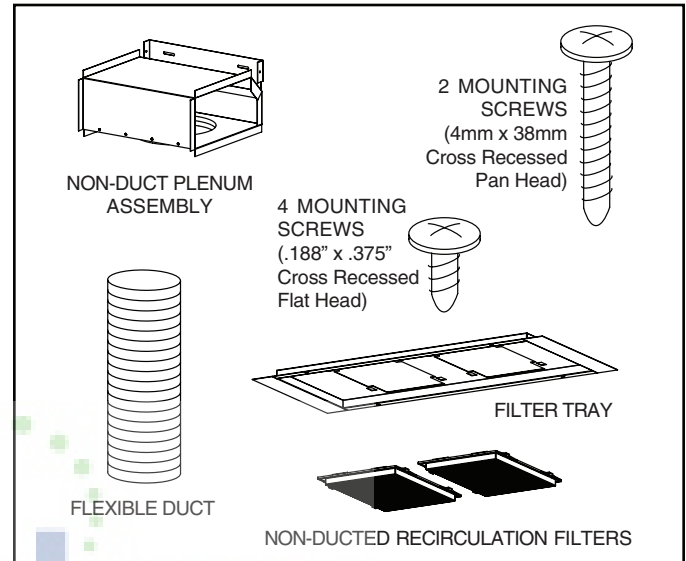
12. Slide the upper decorative flue section into the lower decorative flue section. NOTE For ducted applications, the louvers on the upper flue should be hidden by positioning the louvers down, inside of the lower flue.
13. Carefully place the upper/lower flue assembly into the recessed area of the hood.
14. Slide the upper flue upward until it is aligned with its mounting bracket. The bracket should be inside the flue. Secure the upper flue to the upper flue mounting bracket using (2) 4mm x 12mm mounting screws.

**NOTE**

9-10 ft. ceilings may require Flue Extension Model FXNE56SS depending on installation height (purchase separately). Discard the upper and lower flues supplied with your hood and replace them with Flue Extension Model FXNE56SS.

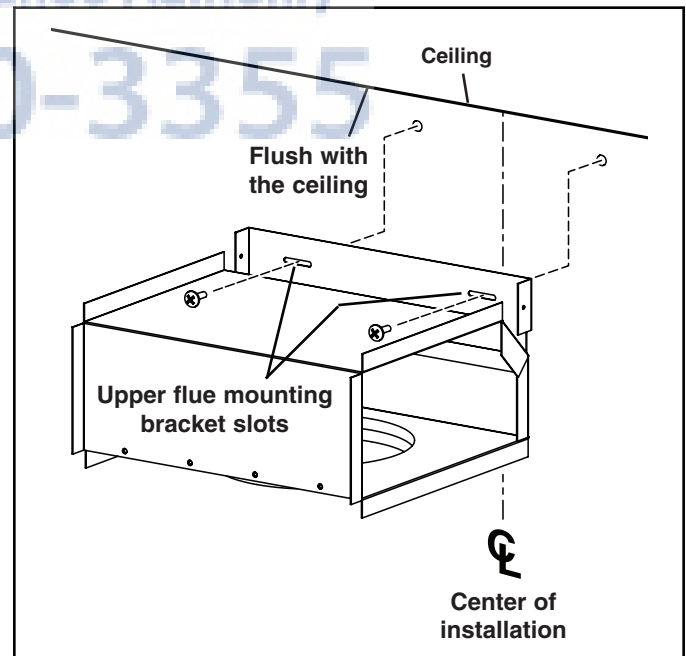
## INSTALL THE HOOD (Non-Ducted Hoods Only)

### NON-DUCT KIT MODEL RKE56 CONTENTS

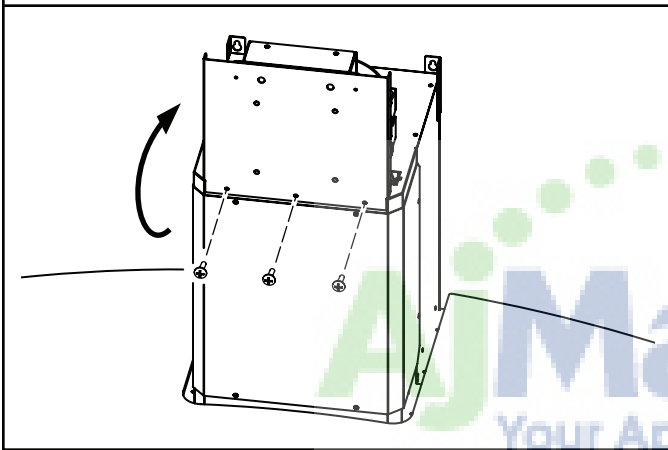
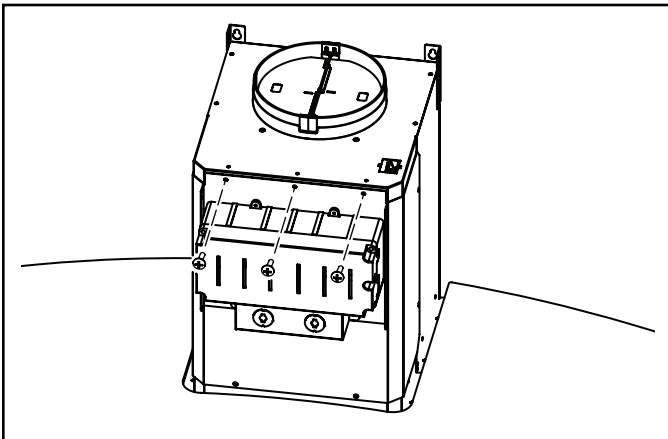


**NOTE**

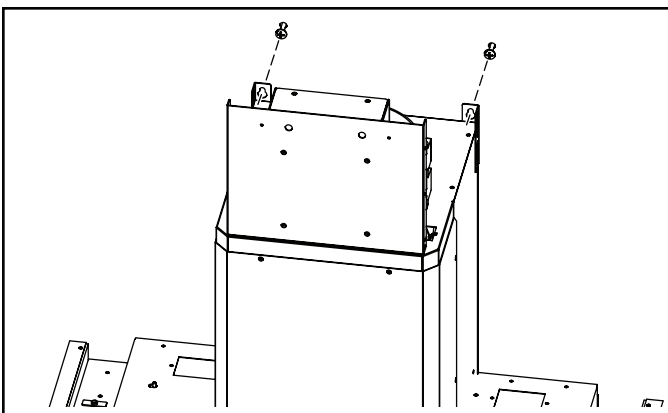
Non-ducted installations require Non-Duct Kit, Model RKE56 (purchase separately).



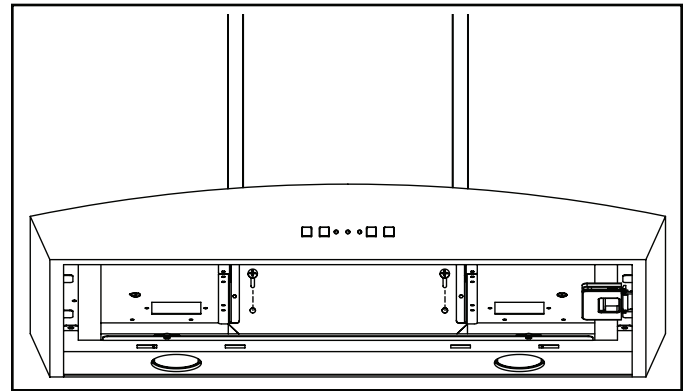
1. Center the non-duct plenum over the hood location and flush with the ceiling. Secure the non-duct plenum to the wall using (2) 4mm x 38mm mounting screws.
2. Tighten the screws completely. Make sure that the non-duct plenum is tight against the wall.
3. Remove damper flaps from damper / duct connector and discard flaps.



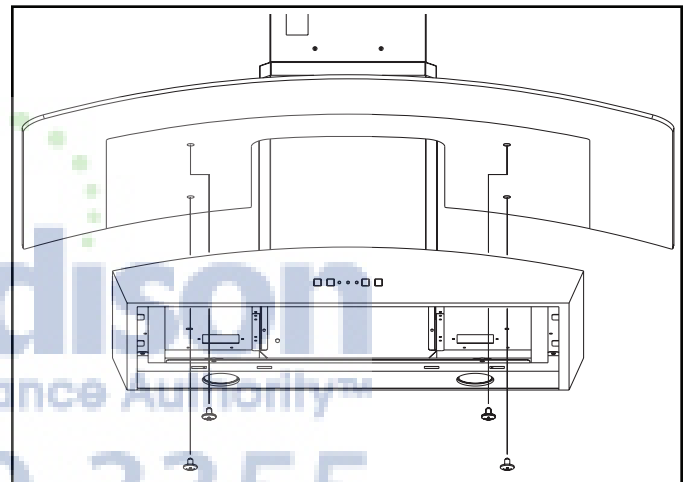
4. Remove (3) screws holding electronics mounting bracket to hood. Rotate bracket 180 degrees and re-attach bracket to hood with same (3) screws.
5. Remove the grease filter by pulling down the metal latch tab and tilting filter downward to remove.
6. Remove the protective plastic film covering the decorative flue and the hood at this time.
7. Remove the grease filter by pulling down the metal latch tab and tilting filters downward to remove.



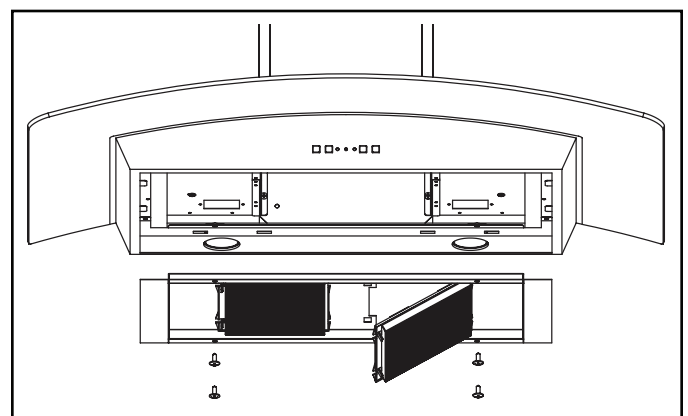
8. Align the keyhole slots on the hood with the mounting screws that were partially tightened into the wall framing. Ensure that hood is seated entirely on mounting screws and that hood is level. Then tighten screws completely.



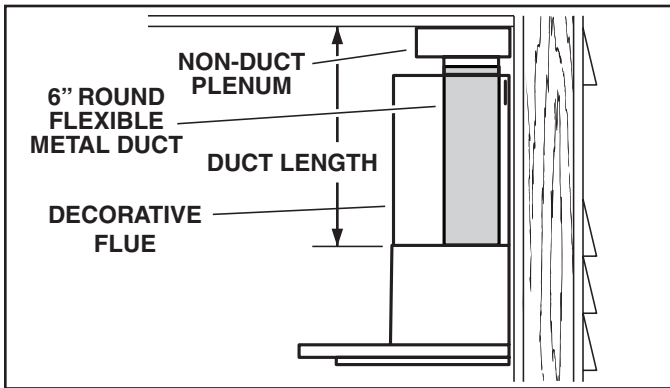
9. Install (2) 4mm x 38mm long screws into the holes inside the hood and tighten them securely.



10. Carefully place glass canopy on top of the hood. Align nuts on glass canopy with holes inside the hood. Attach canopy with (4) .188" x .250" long flat head screws. Tighten screws securely but DO NOT OVERTIGHTEN.



11. Attach filter tray to bottom of hood using (4) .188" x .375" mounting screws.
12. Snap in 2-non-duct filters into filter trays by engaging filter tab on side, rotating upward to engage filter clips.
13. Reinstall grease filter by aligning rear filter tab with slots in the hood. Pull down the metal latch tab, push filter into position and release. Make sure filter is securely engaged after installation.

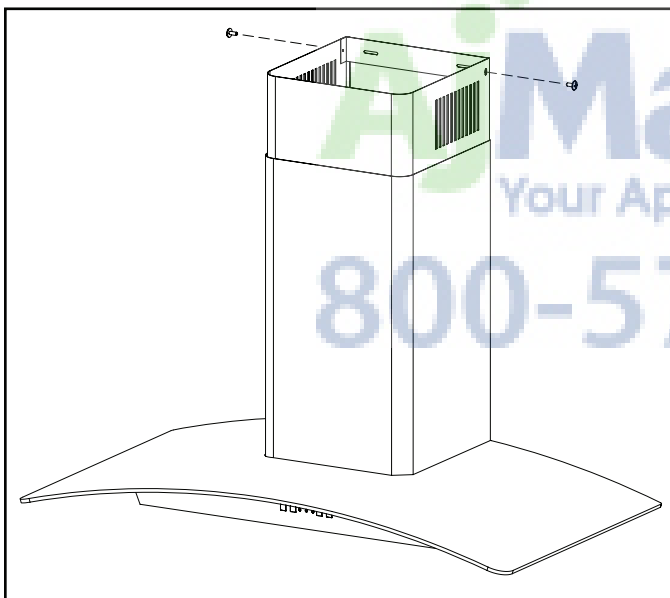


14. Measure and install section of flexible metal ductwork (included with RKE56) to hood duct connector and bottom of non-duct plenum. Use duct tape to make all joints secure and air tight.

**CAUTION**

Do not use plastic duct.

15. Plug power cord into wall outlet.



16. Slide the upper decorative flue section into the lower decorative flue section. NOTE For non-ducted applications, the upper flue should be oriented so the louvers are towards the ceiling.
17. Carefully place the upper/lower flue assembly into the recessed area of the hood.
18. Slide the upper flue upward until it is aligned with the non-duct plenum. The non-duct plenum should be inside the flue. Secure the upper flue to the non-duct plenum using (2) 4mm x 12mm mounting screws.

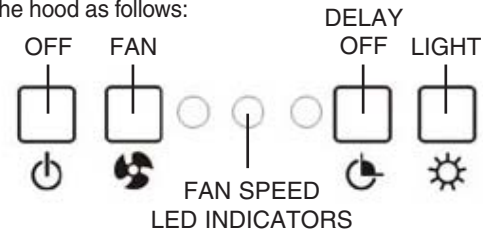
**NOTE**

9-10 ft. ceilings may require Flue Extension Model FXNE56SS depending on installation height (purchase separately). Discard the upper and lower flues supplied with your hood and replace them with Flue Extension Model FXNE56SS.

## OPERATION

Always turn the hood ON before cooking in order to establish an air flow in the kitchen. After turning off the range, let the hood run for a few minutes to clear the air.

Operate the hood as follows:



**OFF**

Turns the fan OFF

**FAN (1-Pushbutton Switch, 3-Fan Speeds)**

Turns the fan ON to the last selected speed, and activates a blue LED indicating the fan speed setting. Pressing the FAN button a second time will index the fan speed and LED indicator to the next highest setting. Pressing the FAN button when the fan is at the highest speed setting will index the fan and LED indicator to the lowest setting.

**DELAY-OFF (10 Minute Delay-Off)**

Activates the 10 minute delay off feature when the fan is ON (any speed). When activated, the blue LED indicator above the selected speed setting will blink. The hood fan will automatically turn OFF after 10 minutes has elapsed. The DELAY-OFF button can be pressed at any time during the 10 minute countdown to turn off the feature.

**LIGHT (1-Pushbutton Switch, 3-Light Intensities)**

Turns the lights ON to the lowest intensity. Pressing the LIGHT button a second time will index the light intensity to the next highest level. Pressing the LIGHT button when the lights are at the highest intensity will turn the lights off.

**FILTER CHANGE INDICATION**

After 30 hours of fan operation, the three blue LED indicators will blink simultaneously, indicating that it is time to clean the grease filters. To reset the filter clean timer, press and hold the OFF button for 3 seconds. The blinking LED indicators will turn off.

**HEAT SENTRY SYSTEM**

This range hood is equipped with a standard Heat Sentry system that monitors excessive temperature and automatically turns the fan speed on HIGH.

- 1) If the fan is ON, the Heat Sentry system will increase the fan setting to its highest speed when the temperature is elevated. The blue indicator for fan speed (3) will illuminate and blink at a high rate, indicating that the heat sentry function is activated. Once the temperature has reduced, the Heat Sentry system will change the fan speed to the original setting.
- 2) If the fan is OFF, the Heat Sentry system will automatically turn the fan on to its highest speed when the temperature is above normal. The blue indicator for fan speed (3) will illuminate and blink at a high rate, indicating that the heat sentry function is activated. After the temperature has lowered to normal, the fan will turn off.

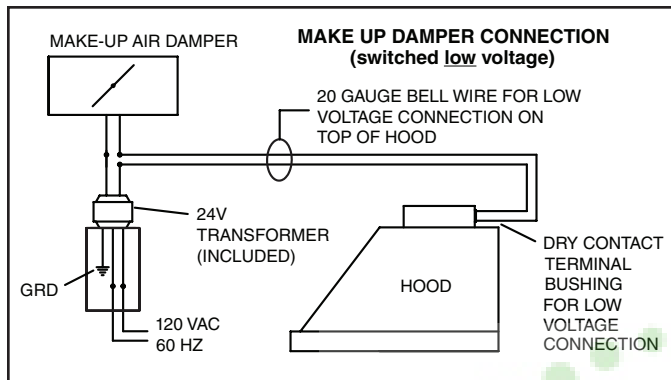
**FUSES**

The Range Hood Control Board contains a Main Fuse to protect the controls from power surges. New fuses can be purchased at a local electronic supply store. Use 5A, 120V, 5 mm diameter, 20 mm long, fast-acting, cartridge-type fuses.

- To replace a fuse (by qualified person(s):
1. Disconnect power at service entrance.
  2. Remove decorative flues.
  3. Remove control cover.
  4. Remove and inspect fuse.

## MAKE-UP AIR DAMPER

The hood is compatible with Broan Make-Up Air Damper Model MD6T or Model MD8T (optional). Purchase separately.



Make the connection to the Make-Up Air Damper with low voltage wiring, as shown. See Make-Up Air Damper instructions for additional information.

## REMOTE CONTROL

The hood is compatible with Broan Radio Frequency (RF) Remote Control Model BCR1 (optional). Purchase separately.

To link the BCR1 remote control with the hood, press and hold the LIGHT button for 3-seconds.

The blue LED indicators will turn on and off in succession to indicate the hood is in RF linking mode. When in the linking mode, press any key on the RF remote. An audible beep will be heard at the hood, and the hood LED's will stop blinking if a successful link is accomplished. If the remote control did not successfully link with the hood, the linking mode will be deactivated after 12 seconds, and the LED's will stop the sequential blinking. Refer to the BCR1 instructions for additional information.

## CLEANING & MAINTENANCE

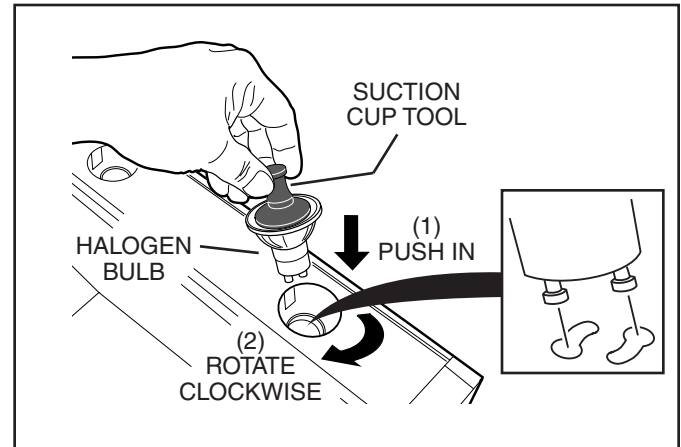
For performance, appearance, and health reasons, clean filter, fan and grease-laden surfaces. Use only a clean cloth and mild detergent solution on stainless and painted surfaces.

Clean all-metal filters in the dishwasher using a non-phosphate detergent. Discoloration of the filter may occur if using phosphate detergents, or as a result of local water conditions - but this will not affect filter performance. This discoloration is not covered by the warranty.

Clean the non-duct recirculating filter surfaces frequently with a damp cloth and a mild detergent. DO NOT immerse filters in water or put in dishwasher. Change the non-duct recirculating filters every 6 months. For replacement non-duct recirculating filters - purchase S99010365 or Model FILTERE56.

The motor is permanently lubricated and never needs oiling. If the motor bearings make excessive or unusual noise, replace the blower assembly with an exact service replacement.

## LIGHT BULBS



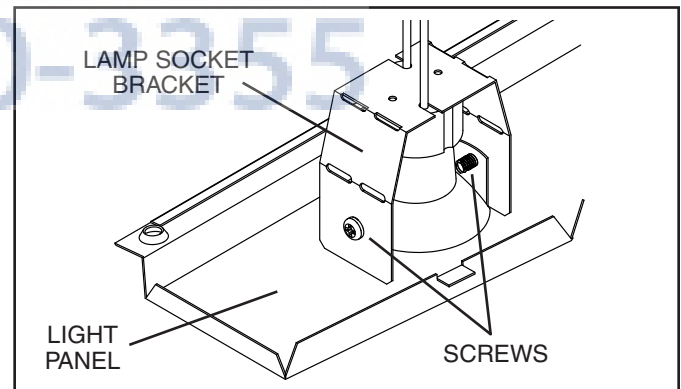
### WARNING

Bulbs may be hot. Always allow bulbs to cool down before removing them.

Use (2) Halogen Bulbs (included with hood) - 120 V, 35 W, shielded halogen bulbs - MR16 with GU10 base.

### NOTE

Suction Cup Tool (included with hood) can be used to install and remove light bulbs. Align pins on bulb with large diameter opening on socket, then push bulb in towards hood and rotate clockwise until firmly seated. The position of the bulb socket (depth) is adjustable and may require adjustment when: a) certain brands of bulbs are difficult to install. b) the bulb protrudes too far below the light panel.



To change the depth of bulb sockets:

- Remove 2 screws on light panel – set screws aside
- Remove Light Panel.
- Loosen 2 Screws holding Lamp Socket Bracket to Light Panel.
- Adjust socket/bracket to desired depth.
- Re-tighten screws securely.
- Re-attach light panel with 2 screws that were previously set aside.

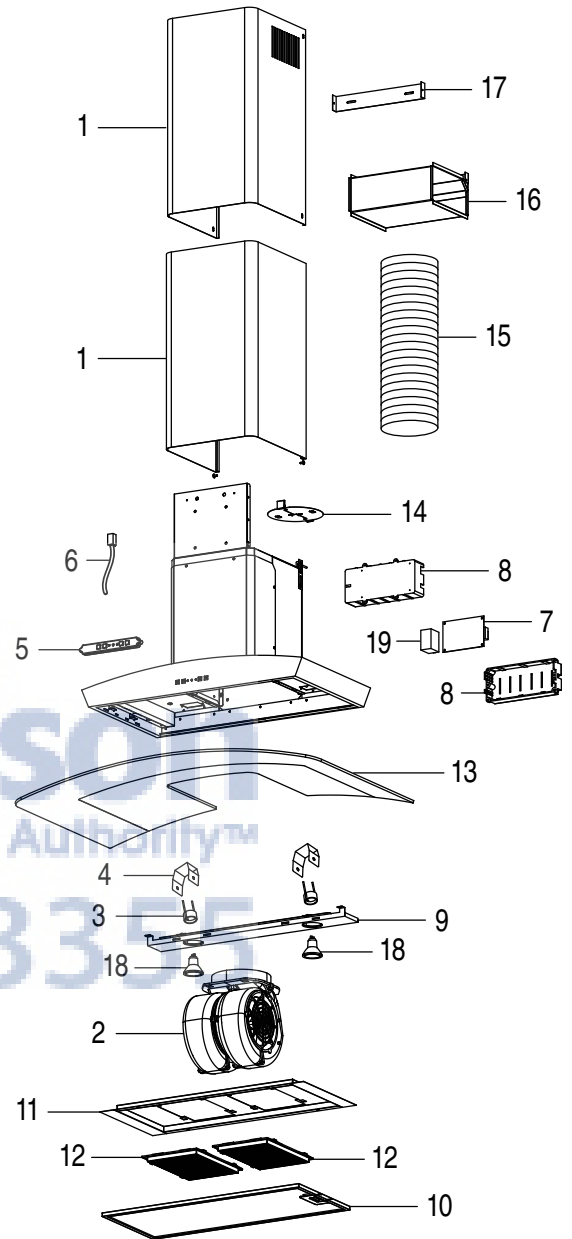


## SERVICE PARTS

KEY	PART NO.	DESCRIPTION	QTY.
1	S99527442	Decorative Upper and Lower Flues	1
2	S99527443	Motor / Blower Assembly	1
3	S99527444	Light Socket (includes mounting hardware)	2
4	S99527445	Light Socket Bracket (includes mounting hardware)	2
5	S99527446	User Interface Assembly	1
6	S99527447	User Interface Cable	1
7	S99527449	Control Board	1
8	S99527450	Control Enclosure	1
9	S99527451	Light Panel	1
10	S99010367	Aluminum Grease Filter	1
11	S99527457	Non-Duct Filter Tray	1
12	S99010365	Non-Duct Recirculation Filters (pair)	1
13	S99527455	Curved Glass Plate (EW5630SS)	1
	S99527456	Curved Glass Plate (EW5636SS)	1
14	S99527461	Damper Assembly	1
15	S99527462	6" Dia. Expandable Flexible Aluminum Duct	1
16	S99527463	Non-Duct Plenum Assembly	1
17	S99527466	Upper Flue Mounting Bracket	1
18	S99526798	35W MR16 GU10 Halogen Lamp	2
19	S99527468	Capacitor	1
*	S99527470	Heat Sensor	1
*	S99527471	Fuse	1
*	S99527472	Parts Bag	1
*	S99527481	User Interface Button, 4-pack	4

\* Not shown

Replacement parts can be ordered on our website:  
[www.broan.com](http://www.broan.com)



## WARRANTY

### BROAN-NUTONE ONE YEAR LIMITED WARRANTY

Broan-NuTone warrants to the original consumer purchaser of its products that such products will be free from defects in materials or workmanship for a period of one year from the date of original purchase. THERE ARE NO OTHER WARRANTIES, EXPRESS OR IMPLIED, INCLUDING, BUT NOT LIMITED TO, IMPLIED WARRANTIES OF MERCHANTABILITY OR FITNESS FOR A PARTICULAR PURPOSE.

During this one-year period, Broan-NuTone will, at its option, repair or replace, without charge, any product or part which is found to be defective under normal use and service.

THIS WARRANTY DOES NOT EXTEND TO FLUORESCENT LAMP STARTERS, TUBES, HALOGEN AND INCANDESCENT BULBS, FUSES, FILTERS, DUCTS, ROOF CAPS, WALL CAPS AND OTHER ACCESSORIES FOR DUCTING. This warranty does not cover (a) normal maintenance and service or (b) any products or parts which have been subject to misuse, negligence, accident, improper maintenance or repair (other than by Broan-NuTone), faulty installation or installation contrary to recommended installation instructions.

The duration of any implied warranty is limited to the one-year period as specified for the express warranty. Some states do not allow limitation on how long an implied warranty lasts, so the above limitation may not apply to you.

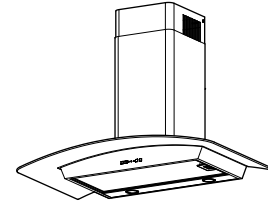
BROAN-NUTONE'S OBLIGATION TO REPAIR OR REPLACE, AT BROAN-NUTONE'S OPTION, SHALL BE THE PURCHASER'S SOLE AND EXCLUSIVE REMEDY UNDER THIS WARRANTY. BROAN-NUTONE SHALL NOT BE LIABLE FOR INCIDENTAL, CONSEQUENTIAL OR SPECIAL DAMAGES ARISING OUT OF OR IN CONNECTION WITH PRODUCT USE OR PERFORMANCE. Some states do not allow the exclusion or limitation of incidental or consequential damages, so the above limitation or exclusion may not apply to you.

This warranty gives you specific legal rights, and you may also have other rights, which vary from state to state. This warranty supersedes all prior warranties.

To qualify for warranty service, you must (a) notify Broan-NuTone at the address or telephone number below, (b) give the model number and part identification and (c) describe the nature of any defect in the product or part. At the time of requesting warranty service, you must present evidence of the original purchase date.

Broan-NuTone LLC, 926 W. State Street, Hartford, Wisconsin 53027 [www.broan.com](http://www.broan.com) 800-558-1711  
 Broan-NuTone Canada, Inc., 1140 Tristar Drive, Mississauga, Ontario L5T 1H9 [www.broan.ca](http://www.broan.ca) 877-896-1119

# Hotte de cuisine à cheminée



## LIRE CES DIRECTIVES ET LES CONSERVER



**POUR USAGE DOMESTIQUE SEULEMENT**



### AVERTISSEMENT



AFIN DE RÉDUIRE LES RISQUES D'INCENDIE, DE DÉCHARGES ÉLECTRIQUES OU DE BLESSURES CORPORELLES, VEUILLEZ OBSERVER LES DIRECTIVES SUIVANTES :

1. N'utilisez cet appareil que de la manière prévue par le fabricant. Si vous avez des questions, communiquez avec le fabricant à l'adresse ou au numéro de téléphone indiqués dans la garantie.
2. Avant de procéder à l'entretien ou au nettoyage de l'appareil, coupez l'alimentation du panneau électrique et verrouillez l'interrupteur principal afin d'empêcher que le courant ne soit accidentellement rétabli. S'il est impossible de verrouiller l'interrupteur principal, fixez solidement un message d'avertissement, par exemple une étiquette, sur le panneau électrique.
3. L'installation et les branchements électriques doivent être effectués par un personnel compétent, conformément aux normes et aux codes en vigueur, y compris les normes et les codes du bâtiment relatifs à la résistance au feu.
4. Pour éviter les refoulements, l'apport d'air doit être suffisant pour brûler les gaz produits par les appareils à combustion et les évacuer dans le conduit de fumée (cheminée). Respectez les directives du fabricant de l'appareil de chauffage et les normes de sécurité, notamment celles publiées par la National Fire Protection Association (NFPA), l'American Society for Heating, Refrigeration and Air Conditioning Engineers (ASHRAE) et les codes des autorités locales.
5. Ce produit peut comporter des arêtes tranchantes. Prenez garde aux coupures et aux éraflures lors de l'installation et du nettoyage.
6. Veillez à ne pas endommager le câblage électrique ou d'autres équipements non apparents lors de la découpe ou du perçage du mur ou du plafond.
7. Les ventilateurs canalisés doivent toujours rejeter l'air à l'extérieur.
8. N'utilisez que des conduits métalliques.
9. N'utilisez pas de commande de régime à semi-conducteurs avec cet appareil.
10. Ne faites pas fonctionner le ventilateur si le cordon électrique ou la fiche est endommagé. Jetez le ventilateur ou rapportez-le chez un réparateur agréé pour le faire examiner et/ou réparer.
11. DIRECTIVES DE MISE À LA TERRE : Cet appareil doit être mis à la terre. Dans l'éventualité d'un court-circuit, la mise à la terre réduit les risques de décharge électrique en permettant au courant de s'échapper dans un fil. Cet appareil comporte un cordon électrique muni d'un fil et d'une fiche de mise à la terre. Cette fiche doit être branchée dans une prise de courant correctement installée et mise à la terre. AVERTISSEMENT : Une mise à la terre incorrecte peut entraîner un risque de choc électrique. Consultez un électricien qualifié si vous ne comprenez pas complètement les directives de mise à la terre ou si vous n'êtes pas sûr que l'appareil comporte une mise à la terre adéquate. N'utilisez pas de rallonge électrique. Si le cordon électrique est trop court, demandez à un électricien qualifié d'installer une prise de courant près de l'appareil.

POUR RÉDUIRE LES RISQUES D'INCENDIE CAUSÉS PAR DE LA GRAISSE SUR LE PLAN DE CUISSON :

- a) Ne laissez jamais les éléments de surface allumés à haute température. Les débordements peuvent causer de la fumée et occasionner des écoulements de graisse inflammables. L'huile doit être chauffée graduellement à basse ou à moyenne température.
- b) Mettez toujours la hotte en MARCHE lors d'une cuisson à feu vif ou lors de la cuisson d'aliments à flamber (par ex., crêpes Suzette, cerises jubilé, bœuf au poivre flambé).
- c) Nettoyez souvent la hotte. Ne laissez pas la graisse s'accumuler sur le ventilateur ou les filtres.
- d) Utilisez des casseroles de dimension appropriée. Utilisez toujours une batterie de cuisine adaptée à la dimension de la surface chauffante.

### AVERTISSEMENT



OBSERVEZ LES CONSIGNES SUIVANTES AFIN DE RÉDUIRE LES RISQUES DE BLESSURES CORPORELLES EN CAS D'INCENDIE CAUSÉ PAR DE LA GRAISSE SUR LE PLAN DE CUISSON :\*

1. ÉTOUFFEZ LES FLAMMES à l'aide d'un couvercle étanche, d'une tôle à biscuits ou d'un plateau en métal puis éteignez le brûleur. FAITES ATTENTION DE NE PAS VOUS BRÛLER. SI LES FLAMMES NE S'ÉTEIGNENT PAS IMMÉDIATEMENT, QUITTEZ LES LIEUX ET APPELEZ LE SERVICE DES INCENDIES.
2. NE SOULEVEZ JAMAIS UNE CASSEROLE EN FLAMMES – vous pourriez vous brûler.
3. N'UTILISEZ PAS D'EAU, ni de serviettes ou de linges mouillés – une violente explosion de vapeur pourrait survenir.
4. Utilisez un extincteur SEULEMENT si :
  - A) Vous savez qu'il est de classe ABC et que vous connaissez déjà son mode de fonctionnement.
  - B) L'incendie n'est pas très important et ne se propage pas.
  - C) Les pompiers ont été avisés.
  - D) Vous pouvez combattre l'incendie en faisant dos à une sortie.

\* Conseils tirés de la publication de la NFPA « Kitchen Fire Safety Tips ».

### ATTENTION

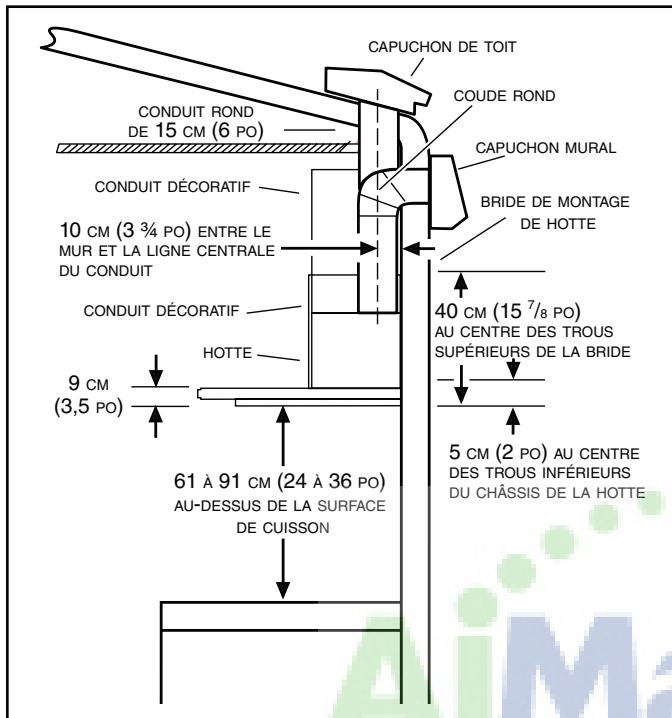


1. Pour usage intérieur seulement.
2. Pour ventilation générale uniquement. Ne pas utiliser cet appareil pour évacuer des matières ou des vapeurs dangereuses ou explosives.
3. Pour ne pas endommager les roulements du moteur, déséquilibrer les pales ou les rendre bruyantes, protégez l'appareil de la poussière de plâtre, de construction, etc.
4. Le moteur de la hotte est muni d'un dispositif de protection de surcharge électrique qui coupe automatiquement le moteur en cas de surchauffe. Il se remet en marche lorsqu'il a refroidi. Faites réparer la hotte si le moteur continue à fonctionner par intermittence.
5. Pour mieux capter les vapeurs de cuisson, le bas de la hotte DOIT ÊTRE AU MINIMUM à 61 cm (24 po) et a recommandé au maximum à 91 cm (36 po) au-dessus de la surface de cuisson.
6. Il est recommandé que les installateurs soient deux, compte tenu de la taille de cette hotte.
7. Pour réduire les risques d'incendie et évacuer l'air correctement, assurez-vous qu'il est canalisé à l'extérieur. Ne pas évacuer l'air dans des espaces enfermés par des murs ou un plafond ou dans un grenier, un vide sanitaire ou un garage.
8. Prenez garde en installant la cheminée décorative et la hotte, car elles peuvent comporter des bords tranchants.
9. Cette hotte n'est pas conçue pour servir d'étagère.
10. Veuillez lire l'étiquette de spécifications du produit pour obtenir plus de renseignements, notamment sur les exigences.

Enregistrez votre produit en ligne à : [www.broan.com](http://www.broan.com)

**Installateur : Veuillez remettre ce  
manuel au propriétaire.  
Propriétaire : Directives d'entretien et  
d'utilisation à la pages 16 et 17.**

## MESURES DE L'INSTALLATION



La distance minimale de la hotte au-dessus de la surface de cuisson NE DOIT PAS ÊTRE INFÉRIEURE à 61 cm (24 po).

Un maximum de 91 cm (36 po) est également fortement recommandé pour mieux capter les vapeurs de cuisson.

Une distance de plus de 91 cm (36 po) est laissée à la discrétion de l'installateur et des utilisateurs si la hauteur du plafond le permet.

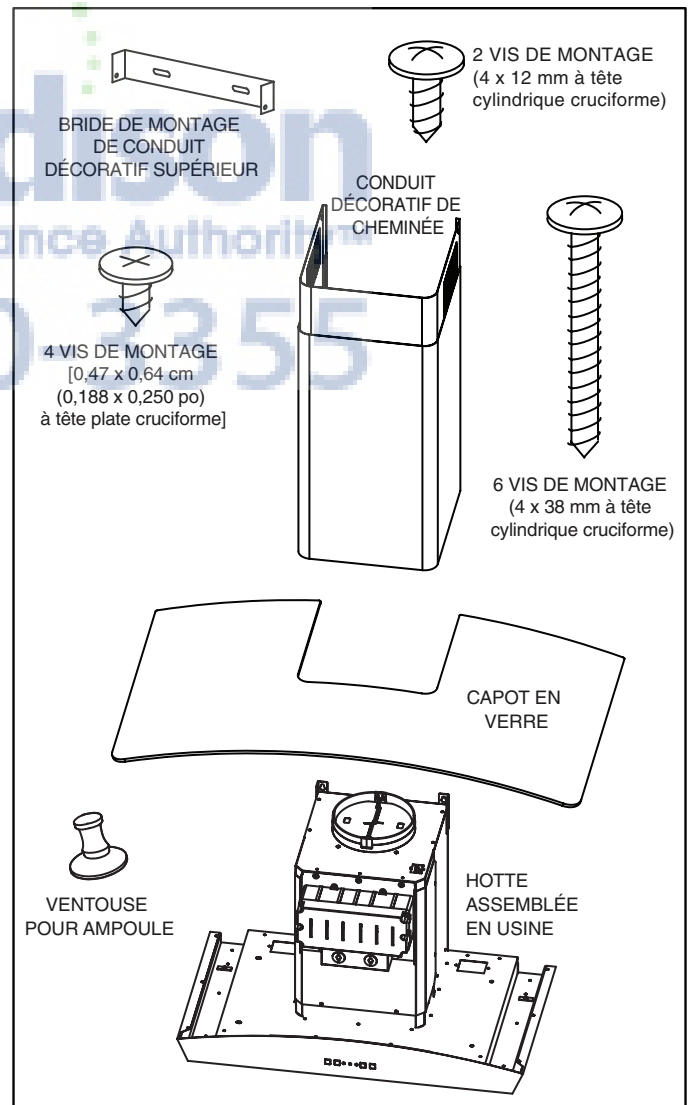
## INSTALLATION DES CONDUITS (hottes avec conduits seulement)

1. Planifiez la pose du conduit en déterminant son tracé entre la hotte et l'extérieur de la maison.
2. Un tracé droit et court permet à la hotte d'être plus efficace.
3. Des conduits longs, des coudes et des transitions réduisent l'efficacité de la hotte. N'en utilisez que le moins possible. Pour plus d'efficacité, des conduits plus gros peuvent être nécessaires si le parcours est trop long.
4. Installez le capuchon mural ou de toit. Connectez un conduit rond en métal au capuchon en progressant vers la hotte. Scellez les joints avec du ruban à conduit à chaque section.

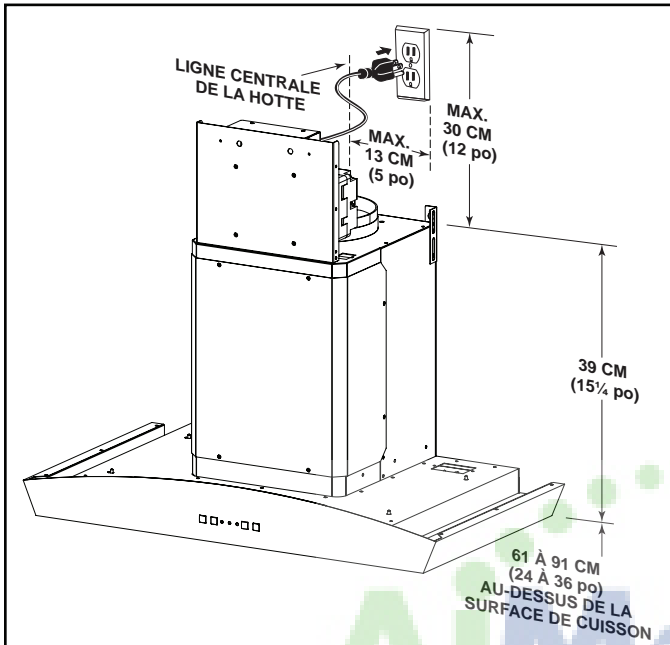
## PRÉPARATION DE LA HOTTE

Déballer la hotte et vérifier le contenu de la boîte. Celle-ci doit contenir les éléments suivants :

- 1 – Hotte assemblée en usine
- 1 – Capot en verre
- 1 – Conduits décoratifs de cheminée (conduit supérieur et conduit inférieur)
- 1 – Bride de montage de conduit décoratif supérieur
- 1 – Filtre à graisse en aluminium (installés dans la hotte)
- 2 – Lampes halogènes MR16 GU10 de 35 W (installées dans la hotte)
- 1 – Sac de pièces contenant :
  - 6 – Vis de montage (4 x 38 mm à tête cylindrique cruciforme)
  - 2 – Vis de montage (4 x 12 mm à tête cylindrique cruciforme)
  - 4 – Vis de montage (0,47 x 0,64 cm (0,188 x 0,250 po) à tête plate cruciforme)
  - 1 – Ventouse
  - 1 – Manuel d'installation



## INSTALLATION DU CÂBLAGE

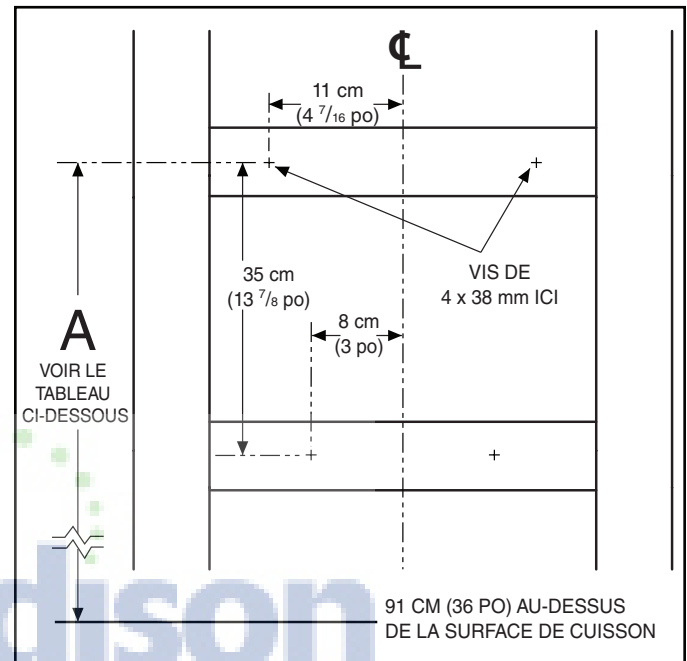


### INSTRUCTIONS DE MISE À LA TERRE

Cet appareil doit être correctement mis à la terre. Dans l'éventualité d'un court-circuit, la mise à la terre réduit les risques de décharge électrique en permettant au courant de s'échapper dans un fil. Cet appareil comporte un cordon électrique muni d'un fil et d'une fiche de mise à la terre. Cette fiche doit être branchée dans une prise de courant correctement installée et mise à la terre.

Placez la prise de courant dans l'espace recouvert par le conduit décoratif de cheminée et à un endroit où elle ne nuira pas au passage du conduit rond. Elle ne doit pas être à plus de 30 cm (12 po) du haut du châssis de la hotte et ne pas empiéter sur la zone de fixation d'un support de montage et de l'endroit où le conduit décoratif touche au mur.

## INSTALLATION DU SUPPORT DE MONTAGE DE LA HOTTE



1. Construisez une charpente de bois qui affleure la surface intérieure des montants du mur. Assurez-vous de centrer cette charpente avec l'emplacement d'installation.

### REMARQUE

La distance de la hotte au-dessus de la surface de cuisson est : au minimum de 61 cm (24 po) et au maximum de 91 cm (36 po). Les plafonds de 2,7 m (9 pi) et 3 m (10 pi) peut nécessitent la rallonge de conduit décoratif, modèle FXNE56SS selon la taille de l'installation (vendue séparément). Voir le tableau ci-dessous pour de plus amples renseignements sur la hauteur d'installation.

2. Une fois la surface du mur finie, fixez deux (2) vis de 4 x 38 mm aux emplacements illustrés ci-dessus. **NE SERREZ PAS** les vis jusqu'au bout.

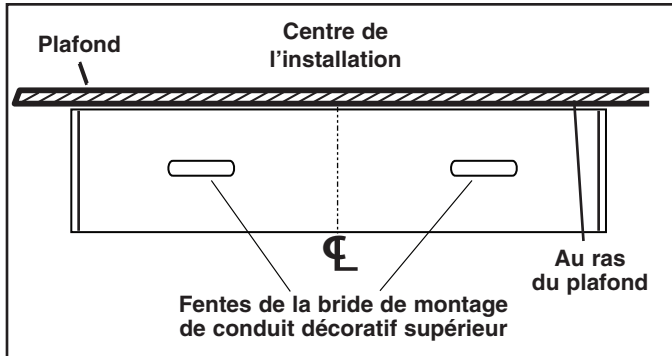
Distance de hotte requise [91,4 cm (36 po) au-dessus de la surface de cuisson]

	61 cm (24 po)	63,5 cm (25 po)	66 cm (26 po)	68,6 cm (27 po)	71,1 cm (28 po)	73,7 cm (29 po)	76,2 cm (30 po)	78,8 cm (31 po)	81,3 cm (32 po)	83,9 cm (33 po)	86,4 cm (34 po)	88,9 cm (35 po)	91,4 cm (36 po)
Hauteur du plafond	Emplacement des vis de montage supérieures (à plus de 91,4 cm (36 po) au-dessus de la surface de cuisson - (Dimension « A »)												
2,4 m (8 pi)	101,2 cm (39 7/8 po)	103,8 cm (40 7/8 po)	106,3 cm (41 7/8 po)	108,9 cm (42 7/8 po)	111,4 cm (43 7/8 po)	113,9 cm (44 7/8 po)	116,5 cm (45 7/8 po)	119 cm (46 7/8 po)	121,6 cm (47 7/8 po)	124,1 cm (48 7/8 po)	*126,6 cm (49 7/8 po)	*129,2 cm (50 7/8 po)	*131,7 cm (51 7/8 po)
2,7 m (9 pi)								**119 cm (46 7/8 po)	**121,6 cm (47 7/8 po)	**124,1 cm (48 7/8 po)	126,6 cm (49 7/8 po)	129,2 cm (50 7/8 po)	131,7 cm (51 7/8 po)
2,7 m (9 pi) avec FXNE56SS	101,2 cm (39 7/8 po)	103,8 cm (40 7/8 po)	106,3 cm (41 7/8 po)	108,9 cm (42 7/8 po)	111,4 cm (43 7/8 po)	113,9 cm (44 7/8 po)	116,5 cm (45 7/8 po)						
3 m (10 pi) avec FXNE56SS	101,2 cm (39 7/8 po)	103,8 cm (40 7/8 po)	106,3 cm (41 7/8 po)	108,9 cm (42 7/8 po)	111,4 cm (43 7/8 po)	113,9 cm (44 7/8 po)	116,5 cm (45 7/8 po)	119 cm (46 7/8 po)	121,6 cm (47 7/8 po)	124,1 cm (48 7/8 po)	126,6 cm (49 7/8 po)	129,2 cm (50 7/8 po)	131,7 cm (51 7/8 po)

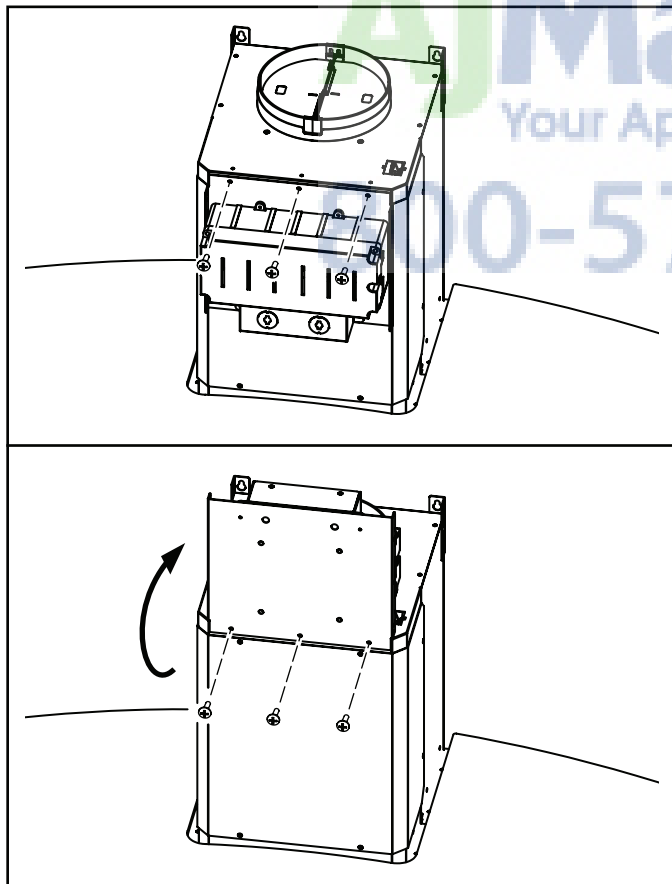
\* Non recommandé pour une installation sans conduits

\*\* Les événements de recirculation sans conduits seront exposés lors d'une installation avec conduits

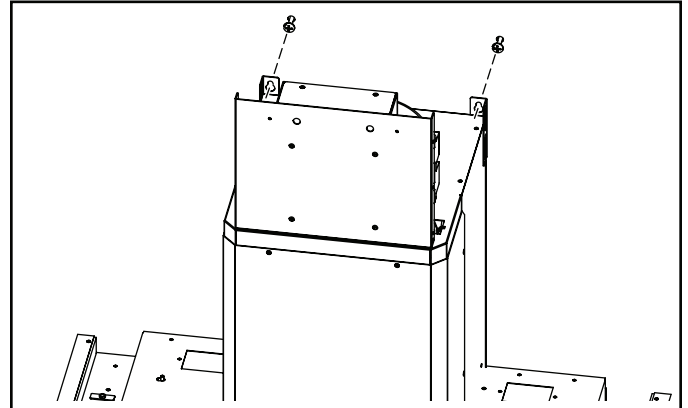
## INSTALLATION DE LA HOTTE (hottes avec conduits seulement)



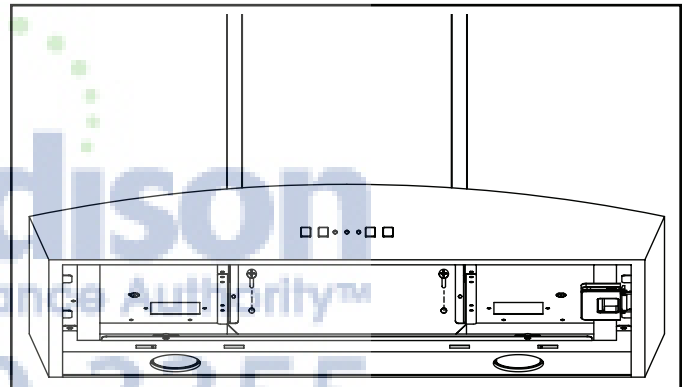
1. Centrez la bride de montage du conduit décoratif à l'emplacement de la hotte au ras avec le plafond. Fixez la bride de montage du conduit décoratif supérieur au mur avec deux (2) vis de montage de 4 x 38 mm. Remarque : Des chevilles d'ancrage peuvent être nécessaires (non comprises).
2. Serrez complètement les vis. Assurez-vous que la bride est fermement appuyée contre le mur et le plafond.
3. Enlevez les trois (3) vis qui retiennent la bride de montage électronique à la hotte. Faites pivoter la bride de 180 degrés et fixez-la à nouveau à la hotte avec les trois (3) vis.



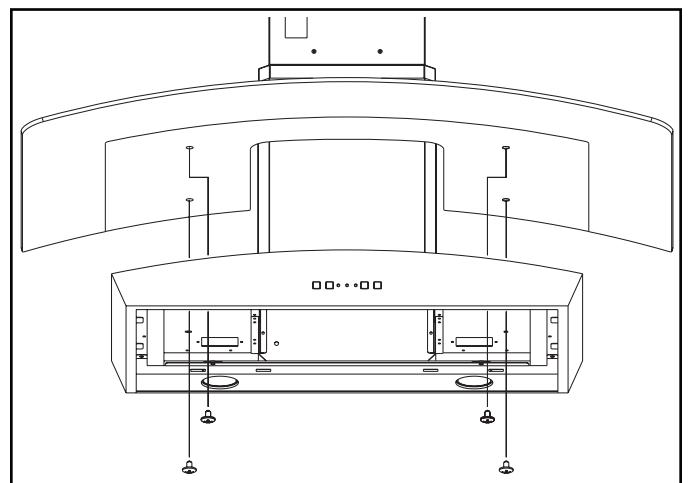
4. Enlevez la pellicule protectrice en plastique recouvrant la hotte et le conduit décoratif.
5. Enlevez le filtre à graisse en tirant vers le bas sur la languette métallique de retenue et en basculant le filtre vers le bas.



6. Alignez les trous de serrure de la hotte avec les vis de montage que vous avez partiellement serrées dans la charpente murale. Assurez-vous que la hotte est complètement appuyée sur les vis de montage et qu'elle est bien de niveau. Ensuite, serrez complètement les vis.



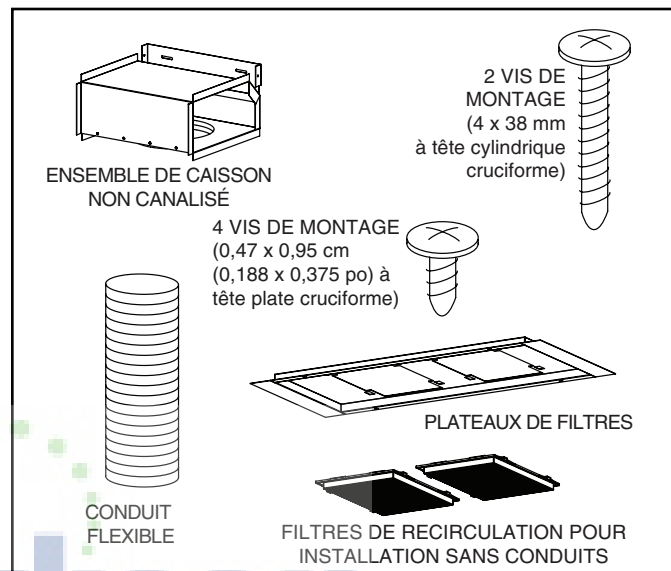
7. Installez deux (2) longues vis de 4 x 38 mm dans les trous situés à l'intérieur de la hotte et serrez-les fermement.



8. Placez soigneusement le capot en verre au-dessus de la hotte. Alignez les écrous du capot en verre aux trous situés à l'intérieur de la hotte. Fixez le capot avec quatre (4) longues vis de 0,47 x 0,64 cm (0,188 x 0,250 po) à tête plate. Fixez les vis SANS TROP SERRER.
9. Pour remettre le filtre à graisse, alignez la languette latérale du filtre dans les fentes de la hotte. Tirez la languette métallique vers le bas, poussez le filtre en place et relâchez la languette. Vérifiez si le filtre est bien fixé une fois replacé.

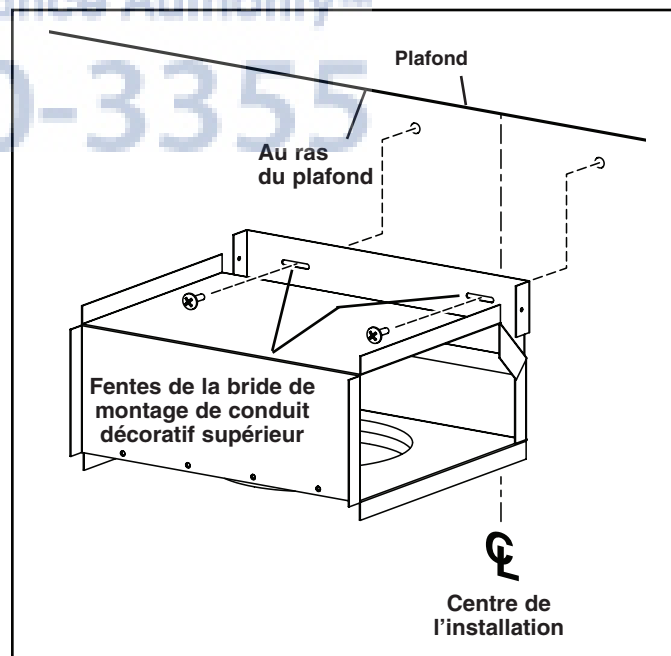
## INSTALLATION DE LA HOTTE (hotte sans conduits seulement)

### CONTENU DE L'ENSEMBLE MODÈLE RKE56 POUR HOTTE SANS CONDUITS

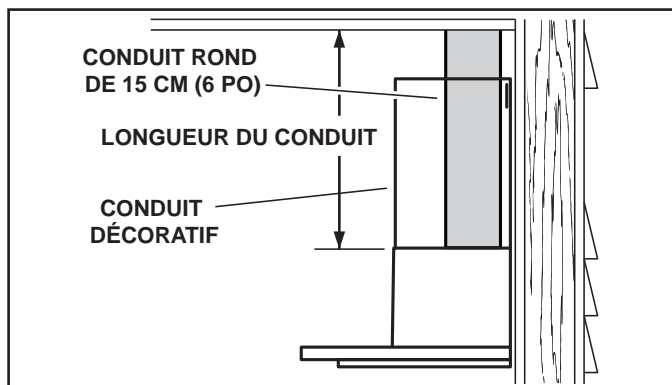


#### REMARQUE

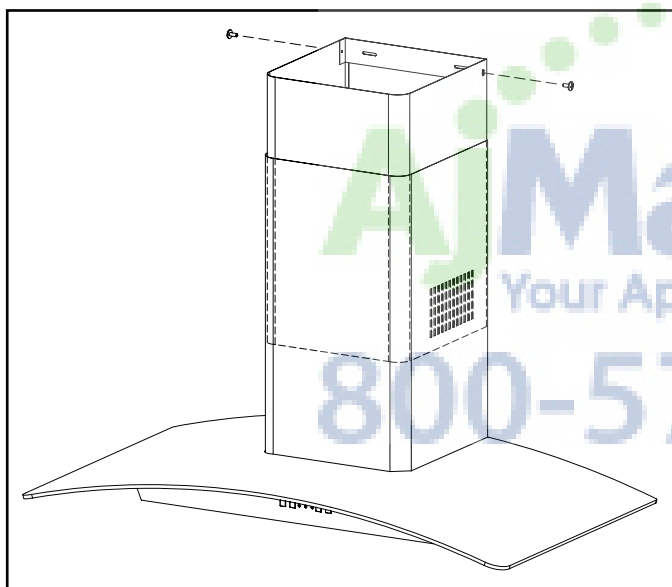
Les installations sans conduits nécessitent l'ensemble sans conduits, modèle RKE56 (vendu séparément).



1. Centrez le caisson non canalisé à l'emplacement de la hotte au ras du plafond. Fixez le caisson non canalisé au mur avec deux (2) vis de montage de 4 x 38 mm.
2. Serrez complètement les vis. Assurez-vous que le caisson non canalisé est fermement appuyé contre le mur.
3. Enlevez les clapets de l'ensemble clapet / raccord de conduit et jetez-les.



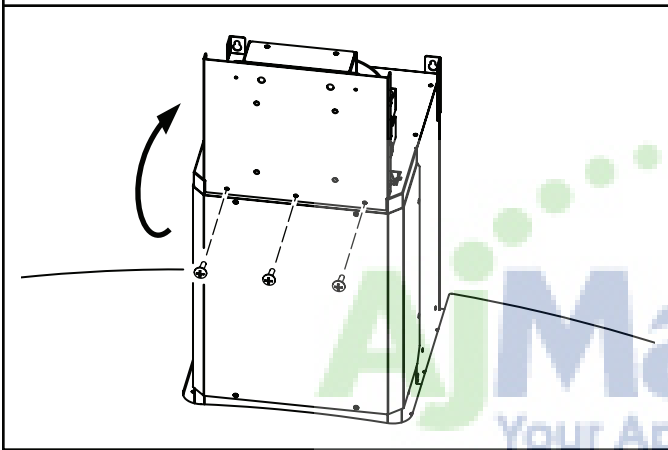
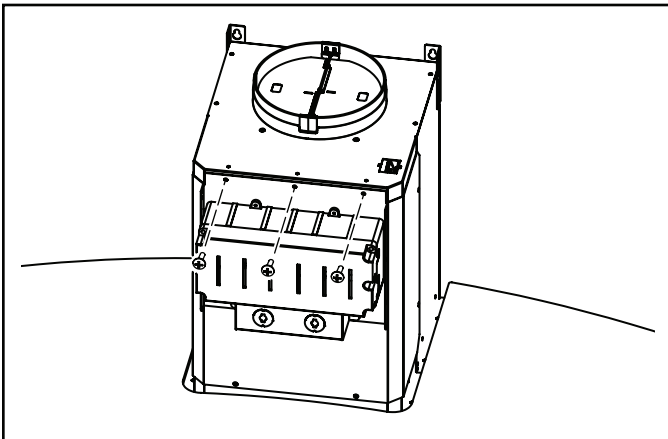
10. Mesurez et fixez le conduit en acier sur le raccord de conduit de la hotte et les conduits du plafond ou du mur. Utilisez du ruban pour conduit afin de fixer solidement tous les joints et assurer leur étanchéité.
11. Branchez le cordon électrique dans la prise de courant.



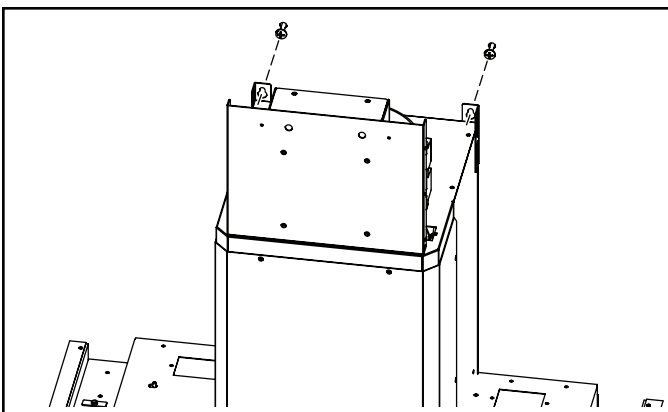
12. Glissez la section supérieure du conduit décoratif dans sa section inférieure. REMARQUE : pour les applications avec conduits, vous devez dissimuler les éventails à lames du conduit décoratif supérieur en les faisant glisser à l'intérieur du conduit inférieur.
13. Placez avec précaution les conduits décoratifs inférieur et supérieur dans la partie de la hotte en retrait.
14. Glissez le conduit décoratif supérieur vers le haut jusqu'à ce qu'il soit aligné avec sa bride de montage. La bride doit être à l'intérieur du conduit décoratif. Fixez le conduit supérieur à la bride de montage de conduit décoratif supérieur avec deux (2) vis de montage de 4 x 12 mm.

#### REMARQUE

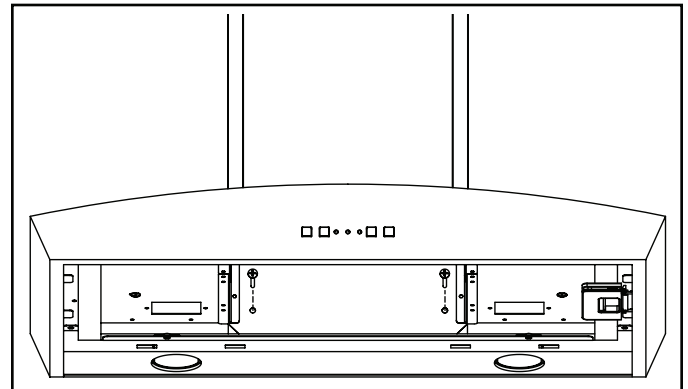
Les plafonds de 2,7 à 3 m (9 pi à 10 pi) peut nécessitent la rallonge de conduit décoratif modèle FXNE56SS selon la taille de l'installation (vendue séparément). Jetez les conduits décoratifs supérieur et inférieur fournis avec votre hotte et remplacez-les par la rallonge de conduit décoratif, modèle FXNE56SS.



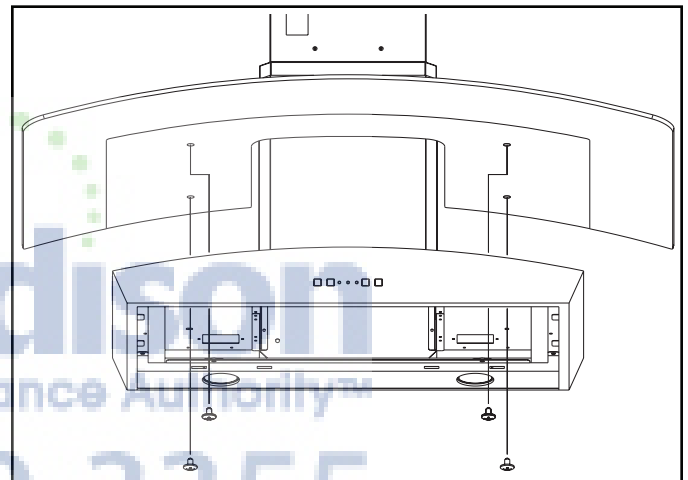
4. Enlevez les trois (3) vis qui retiennent la bride de montage électronique à la hotte. Faites pivoter la bride de 180 degrés et fixez-la à nouveau à la hotte avec les trois (3) vis.
5. Enlevez le filtre à graisse en tirant vers le bas sur la languette métallique de retenue et en basculant le filtre vers le bas.
6. Enlevez la pellicule protectrice en plastique recouvrant la hotte et le conduit décoratif.
7. Enlevez le filtre à graisse en tirant vers le bas sur la languette métallique de retenue et en basculant le filtre vers le bas.



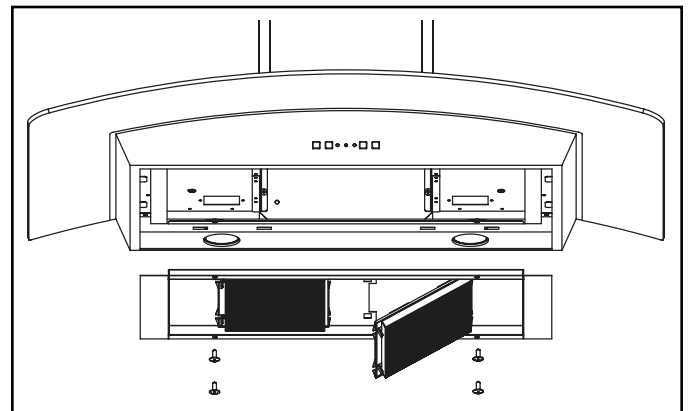
8. Alignez les trous de serrure de la hotte avec les vis de montage que vous avez partiellement serrées dans la charpente murale. Assurez-vous que la hotte est complètement appuyée sur les vis de montage et qu'elle est bien de niveau. Ensuite, serrez complètement les vis.



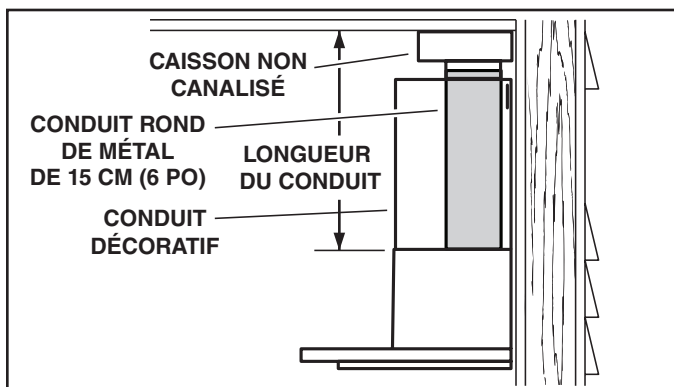
9. Installez deux (2) longues vis de 4 x 38 mm dans les trous situés à l'intérieur de la hotte et serrez-les fermement.



10. Placez soigneusement le capot en verre au-dessus de la hotte. Alignez les écrous du capot en verre aux trous situés à l'intérieur de la hotte. Fixez le capot avec quatre (4) longues vis de 0,47 x 0,64 cm (0,188 x 0,250 po) à tête plate. Fixez les vis SANS TROP SERRER.



11. Fixez le plateau de filtre au bas de la hotte avec quatre (4) vis de montage de 0,47 x 0,95 cm (0,188 x 0,375 po).
12. Placez deux (2) filtres dans les plateaux de filtres. Pour ce faire, engagez et faites pivoter vers le haut les languettes latérales des filtres, puis appuyez fermement sur les attaches de filtre.
13. Pour remettre le filtre à graisse, alignez la languette arrière du filtre dans les fentes de la hotte. Tirez la languette métallique vers le bas, poussez le filtre en place et relâchez la languette. Vérifiez si le filtre est bien fixé une fois replacé.

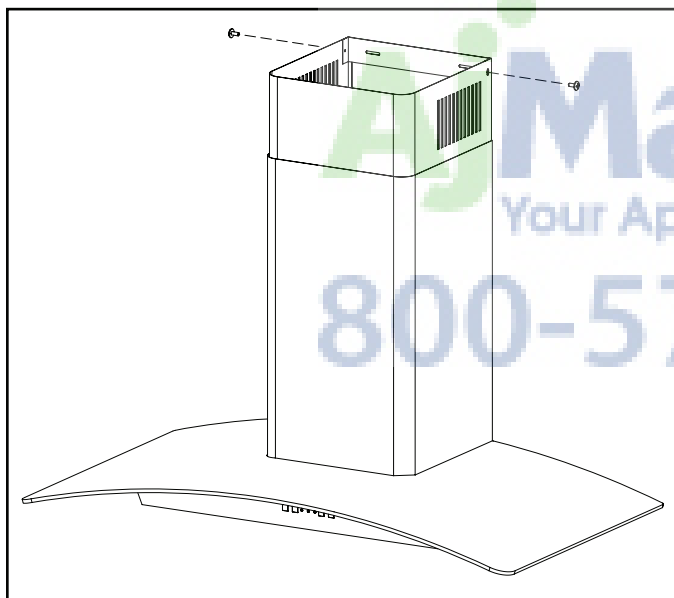


14. Mesurez et fixez le conduit en métal flexible (fourni avec le modèle RKE56) sur le raccord de la hotte et au bas du caisson non canalisé. Utilisez du ruban pour conduit afin de fixer solidement tous les joints et assurer leur étanchéité.

### ATTENTION

N'utilisez pas de conduits en plastique.

15. Branchez le cordon électrique dans la prise de courant.



16. Glissez la section supérieure du conduit décoratif dans sa section inférieure. REMARQUE : pour les applications sans conduits, le conduit supérieur doit être placé de façon que les éventails à lames soient vers le plafond.
17. Placez avec précaution les conduits décoratifs inférieur et supérieur dans la partie de la hotte en retrait.
18. Glissez le conduit décoratif supérieur vers le haut jusqu'à ce qu'il soit aligné avec le caisson non canalisé. Le caisson non canalisé doit être à l'intérieur du conduit décoratif. Fixez le conduit supérieur au caisson non canalisé avec deux (2) vis de montage de 4 x 12 mm.

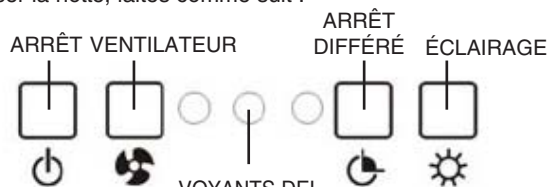
### REMARQUE

Les plafonds de 2,7 à 3 m (9 pi à 10 pi) peuvent nécessiter la rallonge de conduit décoratif modèle FXNE56SS selon la taille de l'installation (vendue séparément). Jetez les conduits supérieur et inférieur fournis avec votre hotte et remplacez-les par la rallonge de conduit décoratif, modèle FXNE56SS.

## FUNCTIONNEMENT

Mettez toujours la hotte en MARCHE avant de cuisiner afin d'établir une circulation d'air dans la cuisine. Laissez la hotte fonctionner quelques minutes après l'arrêt de la cuisinière afin de nettoyer l'air.

Pour utiliser la hotte, faites comme suit :



### ARRÊT

ARRÊTE le ventilateur

VENTILATEUR (1 bouton-poussoir, 3 régimes de ventilateur)

Actionne le ventilateur au dernier régime sélectionné et active un voyant DEL bleu indiquant le réglage du régime du ventilateur. Si vous appuyez une deuxième fois sur le bouton VENTILATEUR, le ventilateur et le voyant DEL passent au régime suivant. Si vous appuyez sur le bouton VENTILATEUR alors que son régime est à son plus haut niveau, le ventilateur et le voyant DEL passent au régime le plus bas.

### ARRÊT DIFFÉRÉ (arrêt différé de 10 minutes)

Active la fonction d'arrêt différé de 10 minutes lorsque le ventilateur est en MARCHE (tous régimes). Lorsque cette fonction est activée, le voyant DEL bleu situé au-dessus du réglage de régime sélectionné se met à clignoter. Le ventilateur de la hotte S'ARRÊTE automatiquement après un délai de 10 minutes. Vous pouvez appuyer à tout moment sur le bouton ARRÊT DIFFÉRÉ durant les 10 minutes pour désactiver la fonction.

### ÉCLAIRAGE (1 bouton-poussoir, 3 intensités d'éclairage)

Allume la lumière et la règle à l'intensité la plus faible. Si vous appuyez une deuxième fois sur le bouton ÉCLAIRAGE, l'éclairage passe à l'intensité suivante. Si vous appuyez sur le bouton ÉCLAIRAGE alors que l'intensité est à son plus haut niveau, la lumière s'éteint.

### INDICATEUR DE CHANGEMENT DE FILTRE

Après 30 heures de fonctionnement du ventilateur, les trois voyants DEL bleus clignotent simultanément pour indiquer qu'il est temps de nettoyer les filtres à graisse. Pour remettre le compteur de nettoyage des filtres à zéro, maintenez le bouton ARRÊT enfoncé pendant trois secondes. Les voyants DEL clignotants s'éteignent alors.

### SYSTÈME DE DÉTECTEUR DE CHALEUR

Cette hotte de cuisine est équipée d'un système de détecteur de chaleur standard capable de détecter une température excessive et de régler automatiquement le ventilateur au régime ÉLEVÉ.

- 1) Si le ventilateur est en MARCHE, le système de détecteur de chaleur augmente le régime du ventilateur à son niveau le plus élevé au fur et à mesure que la température s'élève. Les voyants bleus des trois (3) régimes du ventilateur s'allument et se mettent à clignoter très rapidement pour indiquer que la fonction de détection de chaleur est activée. Une fois la température abaissée, le système de détecteur de chaleur rétablit le réglage original du régime du ventilateur.
- 2) Si le ventilateur est ARRÊTÉ, le système de détecteur de chaleur règle automatiquement le ventilateur au régime le plus élevé lorsque la température est au-dessus de la normale. Les voyants bleus des trois (3) régimes du ventilateur s'allument et se mettent à clignoter très rapidement pour indiquer que la fonction de détection de chaleur est activée. Une fois la température revenue à la normale, le ventilateur s'arrête.

### FUSIBLES

Le panneau de commande de hotte contient un fusible principal pour le protéger contre les surtensions. Vous pouvez vous procurer un nouveau fusible dans un magasin d'électronique local. Utilisez des fusibles de 5 A, 120 V, 5 mm de diamètre, 20 mm de long, à action rapide, de type cartouche.

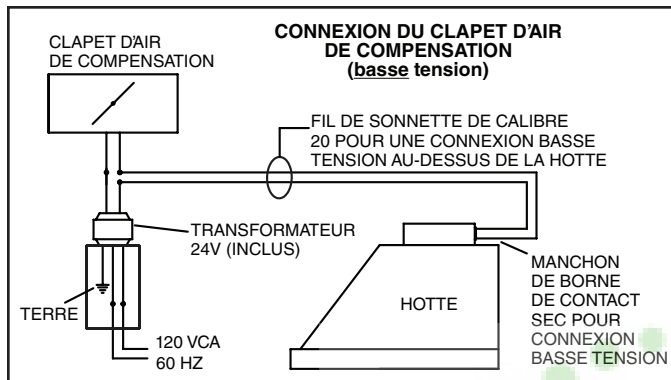


Pour remplacer un fusible (le remplacement doit être effectué par une ou des personnes qualifiées) :

1. Coupez le courant au panneau électrique.
2. Enlevez les filtres.
3. Enlevez le couvercle de commandes.
4. Enlevez et inspectez le fusible.

### CLAPET D'AIR DE COMPENSATION

La hotte est compatible avec le Clapet d'air de compensation Broan modèle MD6T ou modèle MD8T (en option). Vendu séparément.



Connectez le clapet d'air de compensation avec des fils de basse tension, tel qu'illustré. Pour de plus amples renseignements, consultez les directives du clapet d'air de compensation.

### TÉLÉCOMMANDE

La hotte est compatible avec la Télécommande Radiofréquence (RF) Broan modèle BCR1 (en option). Vendue séparément.

Pour établir la liaison entre la télécommande BCR1 et la hotte, maintenez le bouton ÉCLAIRAGE enfoncé pendant trois secondes.

Les voyants DEL bleus s'allument et s'éteignent successivement pour indiquer que la hotte est en mode de liaison avec la télécommande RF. Une fois le mode de liaison activé, appuyez sur une touche quelconque de la télécommande RF. La hotte émet alors un signal sonore et son voyant DEL s'arrête de clignoter si la liaison est réussie. Si la liaison entre la télécommande et la hotte échoue, le mode de liaison se désactive après 12 secondes et les clignotements successifs des voyants s'arrêtent. Consultez les directives relatives à la télécommande BCR1 pour de plus amples renseignements.

## NETTOYAGE ET ENTRETIEN

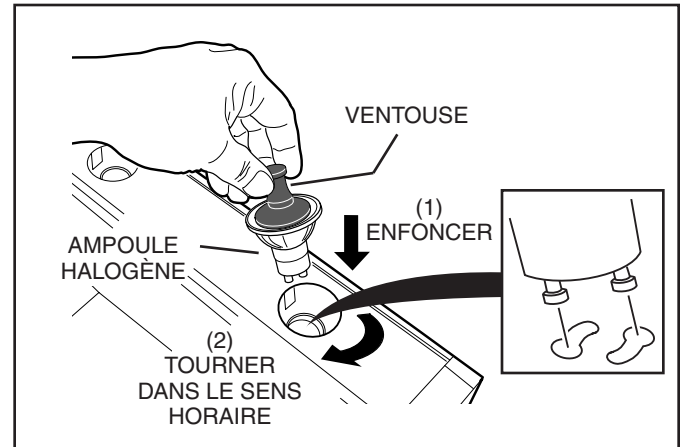
Pour des raisons de santé, de performance et d'apparence, nettoyez le filtre, le ventilateur et les surfaces grasses. Utilisez seulement un chiffon propre et une solution de détergent doux sur l'acier inoxydable et les surfaces peintes.

Nettoyez les filtres entièrement métalliques au lave-vaisselle avec un détergent sans phosphate. Une décoloration du filtre peut se produire si des détergents phosphatés sont utilisés et selon les conditions locales de l'eau, sans toutefois affecter le rendement du filtre. Cette décoloration n'est pas couverte par la garantie.

Nettoyez souvent les surfaces des filtres de recirculation avec un linge humide et un détergent doux. NE PLONGEZ PAS les filtres dans l'eau et ne les mettez pas au lave-vaisselle. Remplacez les filtres de recirculation sans conduit tous les six mois. Pour remplacer les filtres de recirculation sans conduits - veuillez acheter les filtres S99010365 ou Modèle FILTERE56.

Le moteur est lubrifié en permanence et n'a pas besoin d'être huilé. Si les roulements du moteur sont anormalement bruyants, remplacez l'ensemble du ventilateur exactement par le même modèle.

### AMPOULES



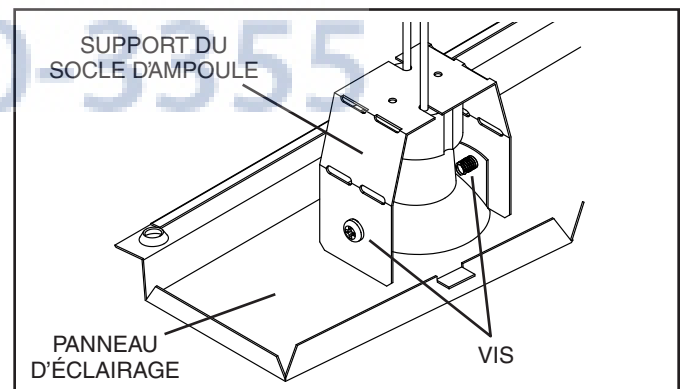
### AVERTISSEMENT

Les ampoules peuvent être très chaudes. Laissez toujours les ampoules refroidir avant de les enlever.

Utilisez deux (2) ampoules halogènes (fournies avec la hotte) (ampoules halogènes avec écran de 120 V, 35 W - MR16 à culot GU10).

### REMARQUE

Vous pouvez utiliser la ventouse (fournie avec la hotte) pour installer ou enlever les ampoules. Alignez les bornes de l'ampoule sur la grande ouverture du socle, puis poussez l'ampoule vers la hotte et tournez-la dans le sens horaire jusqu'à ce qu'elle soit bien appuyée. La position du socle de l'ampoule (sa profondeur) est réglable et peut exiger un ajustement lorsque : a) certaines marques d'ampoule sont difficiles à installer. b) l'ampoule dépasse trop sous le panneau d'éclairage.



Pour changer la profondeur des socles d'ampoule :

- Enlevez les deux vis du panneau d'éclairage et mettez-les de côté
- Enlevez le panneau d'éclairage.
- Desserrez les deux vis retenant le support du socle d'ampoule au panneau d'éclairage.
- Réglez le support / socle à la profondeur voulue.
- Resserrez les vis fermement.
- Fixez à nouveau le panneau d'éclairage avec les deux vis que vous avez mises de côté.

### PIÈCES DE RECHANGE

N° DE	N° DE PIÈCE	DESCRIPTION	QTÉ
<b>REPÈRE</b>			
1	S99527442	Conduits décoratifs supérieur et inférieur	1
2	S99527443	Ensemble moteur / ventilateur	1
3	S99527444	Socle d'ampoule (comprend la quincaillerie de montage)	2
4	S99527445	Support de socle d'ampoule (comprend la quincaillerie de montage)	2
5	S99527446	Ensemble d'interface utilisateur	1
6	S99527447	Câble d'interface utilisateur	1
7	S99527449	Panneau de commande	1
8	S99527450	Boîtier de commande	1
9	S99527451	Panneau d'éclairage	1
10	S99010367	Filtre à graisse en aluminium	1
11	S99527457	Plateau de filtre sans conduits	1
12	S99010365	Filtres de recirculation pour installation sans conduits (paire)	1
13	S99527455	Plaque courbée en verre (EW5630SS)	1
	S99527456	Plaque courbée en verre (EW5636SS)	1
14	S99527461	Ensemble de clapet	1
15	S99527462	Conduit d'aluminium flexible/extensible de 15 cm (6 po) de diamètre	1
16	S99527463	Ensemble de caisson non canalisé	1
17	S99527466	Bride de montage de conduit décoratif supérieur	1
18	S99526798	Lampe halogène MR16 GU10 de 35 W	2
19	S99527468	Condensateur	1
*	S99527470	Détecteur de chaleur	1
*	S99527471	Fusible	1
*	S99527472	Sac de pièces	1
*	S99527481	Bouton d'interface utilisateur, paquet de 4	4

\* Non illustré.

Les pièces de rechange peuvent être commandées sur notre site : [www.broan.com](http://www.broan.com)

### GARANTIE

#### GARANTIE LIMITÉE DE UN AN DE BROAN-NUTONE

Broan-NuTone garantit à l'acheteur consommateur original de ses produits qu'ils sont exempts de vice de matériaux ou de fabrication pour une période d'un an à compter de la date d'achat original. IL N'Y A PAS D'AUTRES GARANTIES, EXPRIMÉES OU IMPLICITES, INCLUANT MAIS NON LIMITÉES AUX GARANTIES IMPLICITES DE QUALITÉ MARCHANDE ET DE CONVENANCE DANS UN BUT PARTICULIER.

Durant cette période d'un an, Broan-NuTone, à sa discrétion, réparera ou remplacera gratuitement tout produit ou pièce qui s'avèrera défectueux et ayant été utilisé normalement et d'une manière non abusive.

CETTE GARANTIE NE S'APPLIQUE PAS AUX TUBES FLUORESCENTS ET AUX DÉMARREURS, NI AUX AMPOULES HALOGÈNES OU INCANDESCENTES, FUSIBLES, FILTRES, CONDUITS, CAPUCHONS DE TOIT, CAPUCHONS MURAUX ET AUTRES ACCESSOIRES POUR CONDUITS. Cette garantie ne couvre pas (a) l'entretien et le service normal ou (b) tout produit ou pièce endommagé à la suite d'un mauvais usage, d'une négligence, d'un accident, d'un entretien inadéquat ou d'une réparation (autre que par Broan-NuTone), d'une mauvaise installation ou d'une installation non conforme au mode d'installation recommandé.

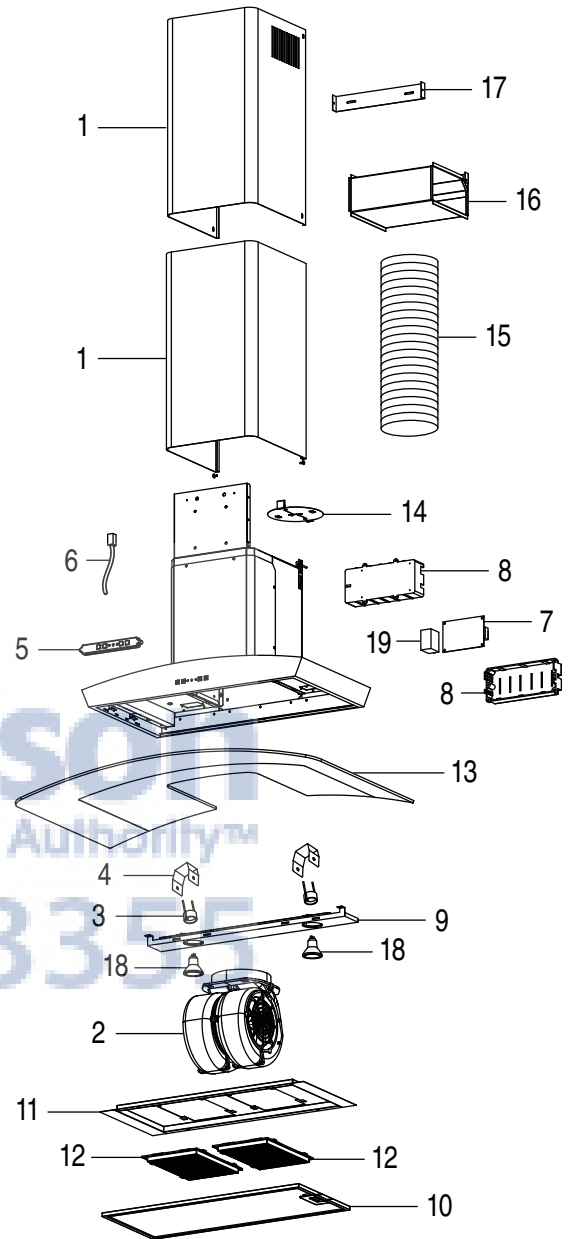
La durée de toute garantie implicite est limitée à une période de un an tel que spécifié pour la garantie exprimée. Certains États ou provinces ne permettent pas de limitation de la durée d'une garantie implicite. Cette condition ne s'applique donc peut-être pas dans votre cas.

L'ENGAGEMENT DE BROAN-NUTONE À RÉPARER OU À REMPLACER, AU CHOIX DE BROAN-NUTONE, SERA LA SEULE OBLIGATION EXCLUSIVE SOUS CETTE GARANTIE. BROAN-NUTONE NE SE TIENDRA PAS RESPONSABLE DES DOMMAGES DIRECTS, INDIRECTS OU SPÉCIAUX AYANT UN LIEN DIRECT OU INDIRECT AVEC L'UTILISATION OU LA PERFORMANCE DE SES PRODUITS. Certains États ou provinces ne permettent pas l'exclusion ou la limitation de dommages directs ou indirects. Cette condition ne s'applique donc peut-être pas dans votre cas.

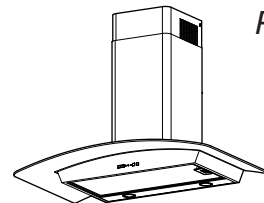
Cette garantie vous donne des droits spécifiques et il se peut que vous ayez d'autres droits qui varient d'une province à l'autre ou d'un État à l'autre. Cette garantie annule toutes les garanties précédentes.

Pour le service sous garantie, vous devez (a) aviser Broan-NuTone à l'adresse ou numéro de téléphone mentionnée ci-dessous, (b) donner le numéro de modèle et l'identification de la pièce et (c) décrire la nature de tout défaut dans le produit ou la pièce. Au moment de la demande de service sous garantie, vous devez présenter une preuve de la date d'achat original du produit en question.

Broan-NuTone LLC, 926 W. State Street, Hartford, Wisconsin 53027 [www.broan.com](http://www.broan.com) 800-558-1711  
Broan-NuTone Canada, Inc., 1140 Tristar Drive, Mississauga, Ontario L5T 1H9 [www.broan.ca](http://www.broan.ca) 877-896-1119



# Campana para chimenea



## LEA Y CONSERVE ESTAS INSTRUCCIONES

### ⚠ SOLAMENTE PARA COCINAR EN CASA ⚠

#### ADVERTENCIA ⚠ ⚡

PARA REDUCIR EL RIESGO DE INCENDIOS, DESCARGAS ELÉCTRICAS O LESIONES PERSONALES, SIGA LAS SIGUIENTES PRECAUCIONES:

1. Use la unidad sólo de la manera indicada por el fabricante. Si tiene preguntas, comuníquese con el fabricante a la dirección o al número telefónico que se incluye en la garantía.
2. Antes de dar servicio o limpiar la unidad, interrumpa el suministro eléctrico en el panel de servicio y bloquee los medios de desconexión del servicio para evitar que la electricidad sea reanudada accidentalmente. Cuando no sea posible bloquear los medios de desconexión del servicio, fije firmemente una señal de advertencia (como una etiqueta) en un lugar visible del panel de servicio.
3. Sólo personal cualificado debe realizar el trabajo de instalación y el cableado eléctrico, de acuerdo con todos los códigos y normas correspondientes, incluidos los códigos y las normas de construcción específicos sobre protección contra incendios.
4. Con el fin de evitar la contracorriente se necesita suficiente aire para que se lleve a cabo una combustión adecuada y la extracción de los gases a través del tubo de humos (chimenea) del equipo quemador de combustible. Siga las directrices y las normas de seguridad del fabricante del equipo de calentamiento, como las publicadas por la Asociación Nacional de Protección contra Incendios (National Fire Protection Association, NFPA), la Sociedad Americana de Ingenieros de Calefacción, Refrigeración y Aire Acondicionado (American Society for Heating, Refrigeration and Air Conditioning Engineers, ASHRAE) y las autoridades de los códigos locales.
5. Este producto podría tener bordes afilados. Trabaje con cuidado para evitar cortes y abrasiones durante la instalación y la limpieza.
6. Al cortar o perforar a través de la pared o del cielo raso, tenga cuidado de no dañar el cableado eléctrico ni otros servicios ocultos.
7. Los ventiladores en conductos siempre deben ventearse hacia el exterior.
8. Utilice únicamente conductos metálicos.
9. No use esta unidad junto con ningún otro dispositivo de control de velocidad de estado sólido.
10. No haga a funcionar ningún ventilador con el enchufe o el cable dañado. Deseche el ventilador o regréselo a una instalación de servicio autorizada para que lo examinen o lo reparen.
11. INSTRUCCIONES PARA LA PUESTA A TIERRA: Este aparato debe estar conectado a tierra. En caso de un corto circuito eléctrico, la puesta a tierra reduce el riesgo de una descarga eléctrica al suministrar un cable de escape para la corriente eléctrica. El aparato está equipado con un cordón que tiene un cable con una clavija a tierra. La clavija debe conectarse a una toma eléctrica que esté instalada y conectada a tierra adecuadamente. ADVERTENCIA: Una puesta inadecuada a tierra puede tener el riesgo de una descarga eléctrica. Consulte a un electricista calificado si no se entienden totalmente las instrucciones de puesta a tierra, o si tiene alguna duda en cuanto a la conexión a tierra apropiada del aparato. No utilice una extensión eléctrica. Si el cordón de la fuente de alimentación es demasiado corto, solicite a un electricista calificado que instale una toma eléctrica cerca del aparato.

PARA REDUCIR EL RIESGO DE INCENDIO PROVOCADO POR GRASA PRESENTE EN LA ESTUFA:

- a) Nunca deje desatendidas las unidades de la superficie cuando estén en ajustes altos de calor. Los alimentos en ebullición provocan derrames grasosos y con humo que se pueden incendiar. Caliente el aceite lentamente en ajustes de calor bajo o medio.
- b) Siempre ENCIENDA la campana cuando esté cocinando a altas temperaturas o flamee alimentos (por ejemplo crepas Suzette, cerezas Jubilee, bistec con pimienta flameado).
- c) Limpie frecuentemente los ventiladores. No permita la acumulación de grasa en el ventilador ni en los filtros.

#### ADVERTENCIA ⚠ ⚡

- d) Use una cacerola del tamaño adecuado. Siempre use utensilios de cocina que sean apropiados para el tamaño del elemento de la superficie.

PARA REDUCIR EL RIESGO DE LESIONES PERSONALES EN EL CASO DE QUE LA GRASA DE LA ESTUFA SE INCENDIE, SIGA LAS SIGUIENTES PRECAUCIONES\*:

1. APAGUE LAS LLAMAS con una tapa de ajuste exacto, una charola para galletas o una bandeja de metal, y después apague el quemador. **PROCEDA CON CUIDADO PARA EVITAR QUEMADURAS. SI LAS LLAMAS NO SE APAGAN INMEDIATAMENTE, EVACÚE EL ÁREA Y LLAME AL DEPARTAMENTO DE BOMBEROS.**
2. NUNCA LEVANTE UNA CACEROLA INCENDIADA, se puede quemar.
3. NO USE AGUA, incluidos trapos o toallas de cocina mojados; puede producirse una explosión violenta de vapor.
4. Use un extintor SÓLO si:
  - A) El extintor es de clase ABC y usted sabe cómo usarlo.
  - B) El incendio es pequeño y está confinado al área en la que se inició.
  - C) Se está llamando al Departamento de Bomberos.
  - D) Puede combatir el incendio teniendo la espalda orientada hacia una salida.

\* Basado en "Kitchen Fire Safety Tips" (Sugerencias para la seguridad contra incendios en la cocina) publicado por la NFPA.

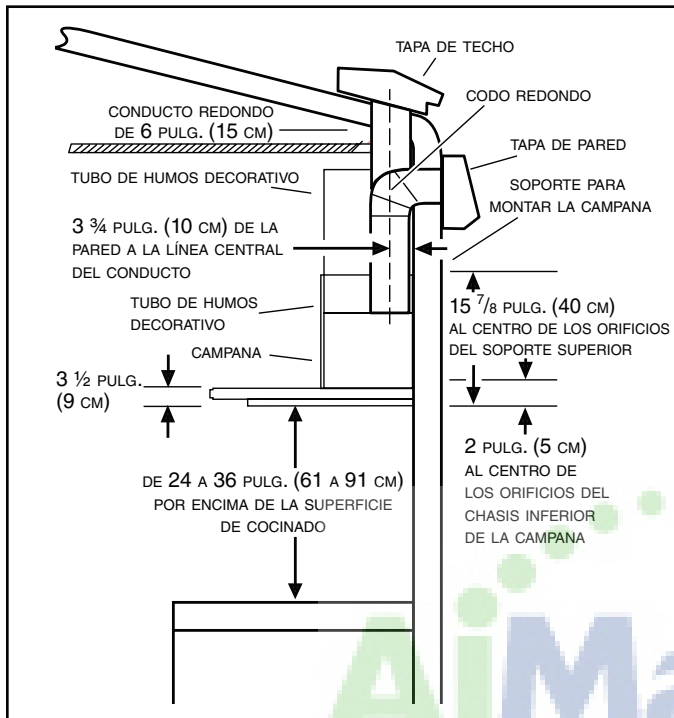
#### PRECAUCIÓN ⚠

1. Sólo debe usarse bajo techo.
2. Sólo para usarse como medio de ventilación general. No debe usarse para la extracción de materiales ni vapores peligrosos o explosivos.
3. Para evitar daños a los cojinetes del motor y rotores ruidosos o desbalanceados, mantenga la unidad de potencia protegida contra rociados de yeso, polvos de construcción, etc.
4. Este motor de campana tiene una protección contra sobrecargas térmicas que automáticamente apagará el motor en caso de sobrecalentamiento. El motor reanudará su funcionamiento cuando se enfríe. Si el motor continúa apagándose y encendiéndose, solicite servicio para la campana.
5. La parte inferior de la campana NO DEBE ESTAR A MENOS de 24 pulg. (61 cm) y recomendado en un máximo de 36 pulg. (91 cm) por encima de la estufa, para captar mejor las impurezas que surgen al cocinar.
6. Se recomienda que dos personas hagan la instalación debido al gran tamaño de esta campana.
7. Para reducir el riesgo de incendio y para descargar adecuadamente el aire, asegúrese de dirigir el aire hacia el exterior. No descargue el aire en espacios contenidos entre paredes o cielos rasos, ni en áticos, sótanos bajos ni en la cochera.
8. Tenga cuidado al instalar el tubo de humos decorativo y la campana; pueden tener bordes afilados.
9. Esta campana no está diseñada para usarse como repisa.
10. Lea la etiqueta de especificaciones que tiene el producto para ver información y requisitos adicionales.

Registre su producto en Internet en: [www.broan.com](http://www.broan.com)

**Aviso al instalador: Deje este manual con el dueño de la casa. Aviso al dueño de la casa: Instrucciones de funcionamiento y mantenimiento en la páginas 25 y 26.**

## MIDA LA INSTALACIÓN



La distancia mínima de la campana sobre la superficie de la estufa NO DEBE SER MENOR de 24 pulg. (61 cm).

Se recomienda enfáticamente una distancia máxima de 36 pulg. (91 cm) sobre la superficie de la estufa para la mejor captura de las impurezas resultantes del cocinado.

Utilizar distancias superiores a las 36 pulg. (91 cm) queda a discreción del usuario y del instalador, siempre y cuando lo permita la altura del cielo raso.

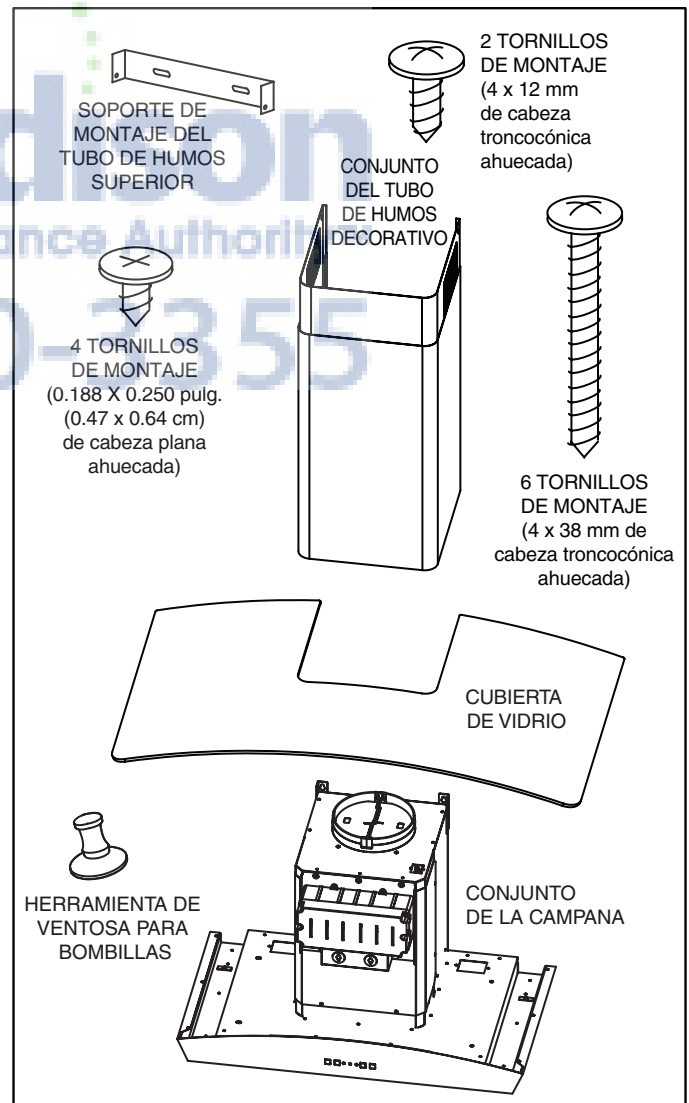
## INSTALE LOS CONDUCTOS (sólo en campanas con conductos)

1. Decida dónde instalará el conducto entre la campana y el exterior.
2. Un conducto recto y corto permitirá que la campana funcione más eficientemente.
3. Los tramos largos de conductos, codos y transiciones reducirán el desempeño de la campana. Use tan pocos de ellos como sea posible. Es posible que se requieran conductos más grandes para un mejor funcionamiento con tramos más largos de conductos.
4. Instale la tapa para pared o para techo. Conecte un conducto metálico redondo en la tapa y trabaje hacia atrás, hacia la ubicación de la campana. Use cinta para conductos para sellar las uniones entre las secciones de conductos.

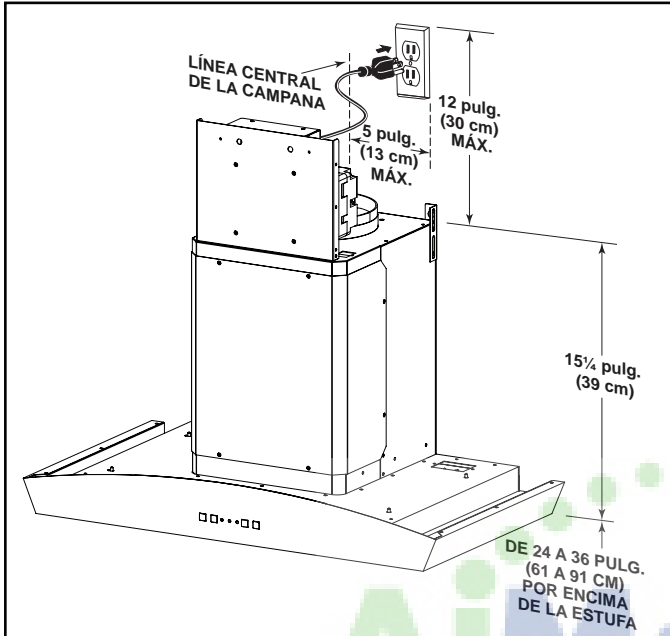
## PREPARE LA CAMPANA

Desempaque la campana y revise el contenido del paquete. Debe contener lo siguiente:

- 1 – Conjunto de campana
- 1 – Cubierta de vidrio
- 1 – Conjunto de tubo de humos decorativo (contiene el tubo superior e inferior)
- 1 – Soporte de montaje del tubo de humos superior
- 1 – Filtro de aluminio para grasa (instalado en la campana)
- 2 – Lámparas halógenas MR16 GU10 de 35 W (instaladas en la campana)
- 1 – Bolsa de piezas con:
  - 6 – Tornillos de montaje (4 x 38 mm de cabeza troncocónica ahuecada)
  - 2 – Tornillos de montaje (4 x 12 mm de cabeza troncocónica ahuecada)
  - 4 – Tornillos de montaje (0.188 X 0.250 pulg. (0.47 x 0.64 cm) de cabeza plana ahuecada)
  - 1 – Herramienta de ventosa
  - 1 – Manual de instalación



## INSTALE EL CABLEADO

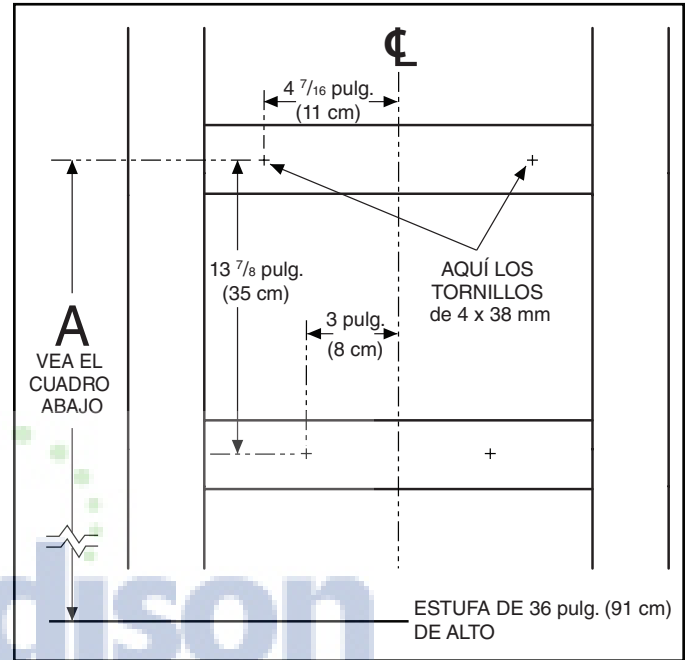


### INSTRUCCIONES PARA LA PUESTA A TIERRA

Este aparato debe estar conectado a tierra. En caso de un cortocircuito eléctrico, la puesta a tierra reduce el riesgo de una descarga eléctrica al suministrar un cable de escape para la corriente eléctrica. Este aparato está equipado con un cordón que tiene un cable con una clavija a tierra. La clavija debe conectarse a una toma eléctrica que esté instalada y conectada a tierra adecuadamente.

Coloque el tomacorriente eléctrico dentro del espacio cubierto por el tubo de humos decorativo y donde no interfiera con el conducto redondo. Asegúrese de que el tomacorriente no esté a más de 12 pulg. (30 cm) de la parte superior del chasis de la campana y que el tomacorriente no interfiera con un área de sujeción de soportes o donde el tubo de humos toque la pared.

## INSTALE EL SOPORTE DE MONTAJE DE LA CAMPANA



1. Construya un bastidor de madera en la pared que quede al ras de la superficie interior de los montantes de la pared. Asegúrese de que el bastidor esté centrado en el lugar de la instalación.

### NOTA

La distancia de la campana por encima de la estufa es: Mínima de 24 pulg. (61 cm) y máxima de 36 pulg. (91 cm). Los cielos rasos de 9 y 10 pies (2.7 y 3 m) puede requieren una extensión del tubo de humos, modelo FXNE56SS dependiendo de la altura de la instalación (se compra por separado). Consulte información adicional sobre la altura de la instalación en el cuadro siguiente.

2. Después de terminar con la superficie de la pared, sujete (2) tornillos de 4 x 38 mm en los lugares mostrados arriba. NO APRIETE totalmente los tornillos.

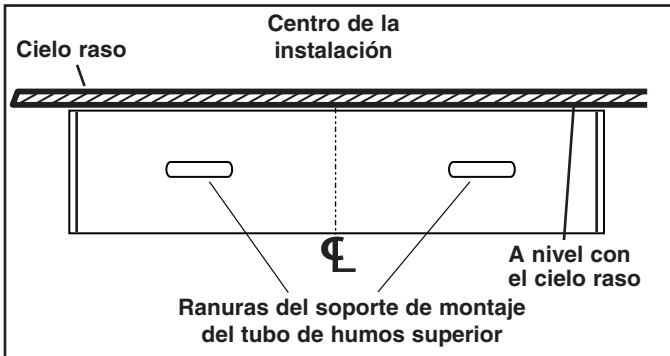
Distancia deseada de la campana (por encima de la estufa de 36 pulg. (91 cm) de alto)

	24"	25"	26"	27"	28"	29"	30"	31"	32"	33"	34"	35"	36"
Altura del cielo raso	Ubicación de los tornillos de montaje superiores (distancia por encima de la estufa de 36 pulg. (91 cm) de alto – (Dimensión "A")												
8 pies (2.4 m)	39-7/8"	40-7/8"	41-7/8"	42-7/8"	43-7/8"	44-7/8"	45-7/8"	46-7/8"	47-7/8"	48-7/8"	*49-7/8"	*50-7/8"	*51-7/8"
9 pies (2.7 m)								**46-7/8"	**47-7/8"	**48-7/8"	49-7/8"	50-7/8"	51-7/8"
9 pies (2.7 m) con FXNE56SS	39-7/8"	40-7/8"	41-7/8"	42-7/8"	43-7/8"	44-7/8"	45-7/8"						
10 pies (3 m) con FXNE56SS	39-7/8"	40-7/8"	41-7/8"	42-7/8"	43-7/8"	44-7/8"	45-7/8"	46-7/8"	47-7/8"	48-7/8"	49-7/8"	50-7/8"	51-7/8"

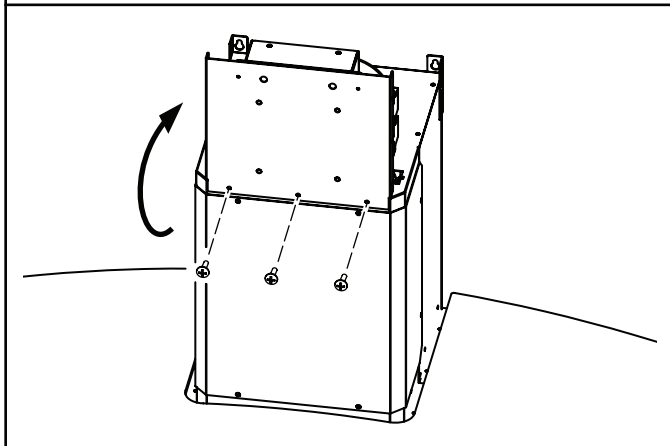
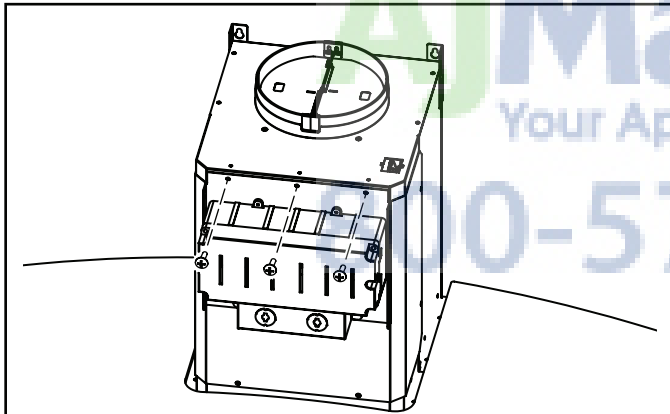
\* No se recomienda para configuraciones sin conductos

\*\* El alistonado de recirculación sin conductos quedará expuesto en una configuración con conductos

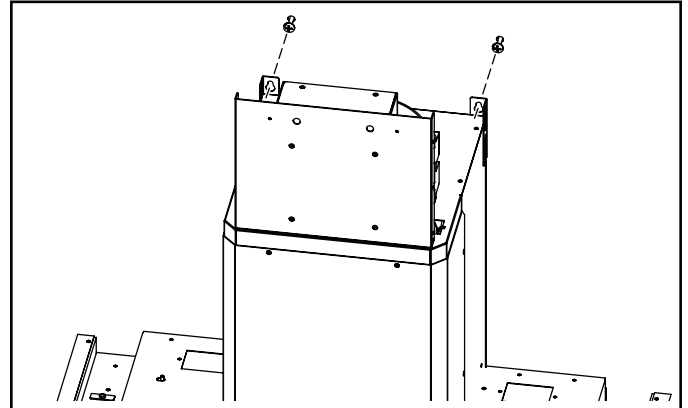
## INSTALE LA CAMPANA (sólo en campanas con conductos)



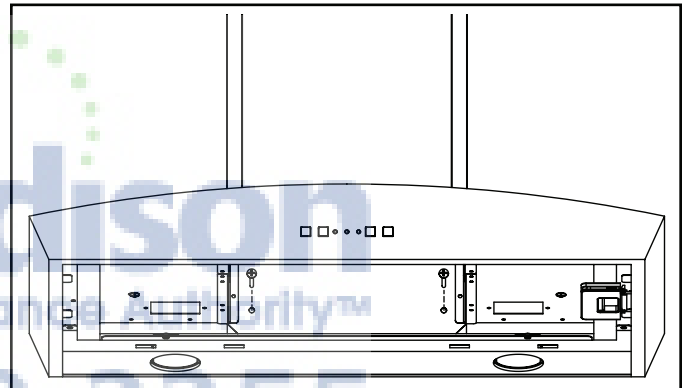
1. Centre el soporte de montaje del tubo de humos sobre la ubicación de la campana y a nivel con el cielo raso. Fije el soporte del tubo de humos superior a la pared utilizando dos (2) tornillos de montaje de 4 x 38 mm. Nota: Podría necesitar anclajes para paneles de yeso (no se incluyen).
2. Apriete totalmente los tornillos. Asegúrese de que el soporte esté apretado contra la pared y el cielo raso.
3. Retire tres (3) tornillos que sostienen el soporte de montaje para componentes electrónicos a la campana. Gire 180 grados el soporte y fije nuevamente el soporte a la campana con los mismos tres (3) tornillos.



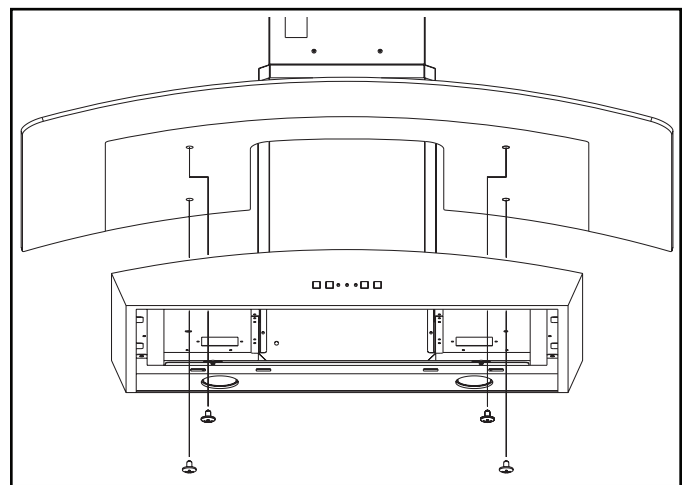
4. En este momento quite la película de plástico protector que cubre el tubo de humos decorativo y la campana.
5. Retire el filtro de grasa estirando hacia abajo la pestaña metálica e inclinando el filtro hacia abajo para quitarlo.



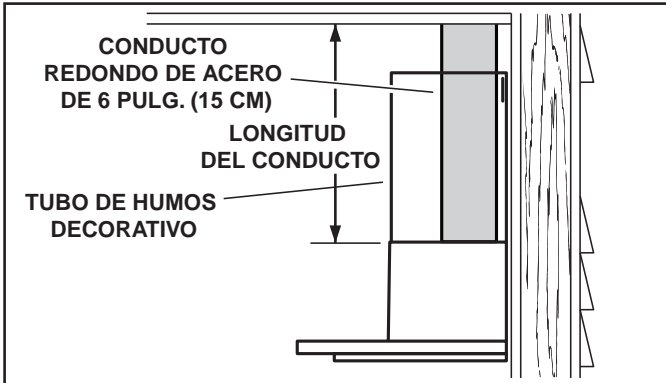
6. Alinee las ranuras tipo bocallave de la campana con los tornillos de montaje que se apretaron parcialmente en la estructura de la pared. Asegúrese de que la campana esté totalmente asentada sobre los tornillos de montaje y que la campana esté nivelada. Luego apriete totalmente los tornillos.



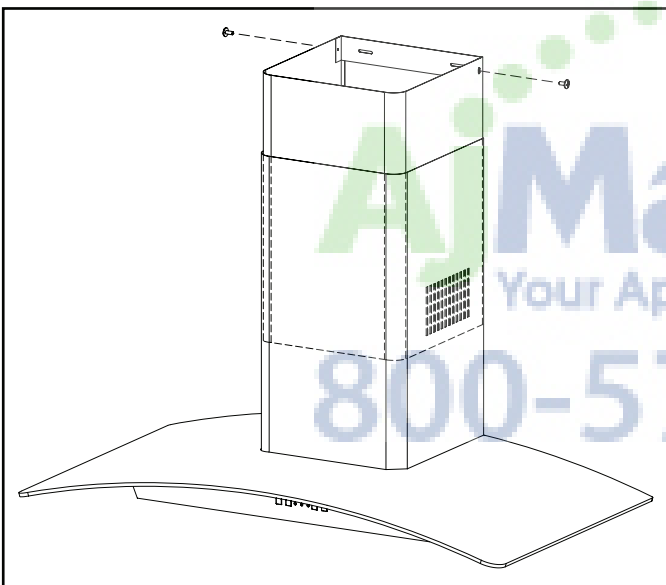
7. Instale (2) tornillos largos de 4 x 38 mm en los orificios dentro de la campana y apriételes firmemente.



8. Coloque con cuidado la cubierta de vidrio sobre la parte superior de la campana. Alinee las tuercas sobre la cubierta de vidrio con los orificios dentro de la campana. Fije la cubierta con cuatro (4) tornillos de cabeza plana de 0.188 x 0.250 pulg. (0.47 x 0.64 cm). Apriete los tornillos con firmeza, pero NO APRIETE DE MÁS.
9. Reinstale el filtro para grasa alineando la pestaña lateral del filtro con las ranuras de la campana. Estire hacia abajo la pestaña metálica del cierre, presione el filtro en su posición y suelte. Asegúrese de que el filtro esté firmemente enganchado después de su instalación.



- Mida e instale los conductos de acero al conector para conductos de la campana y el empalme para conducto sobre el cielo raso o la pared. Use cinta para conductos para fijar y sellar todas las uniones.
- Conecte el cable eléctrico en el tomacorriente de la pared.



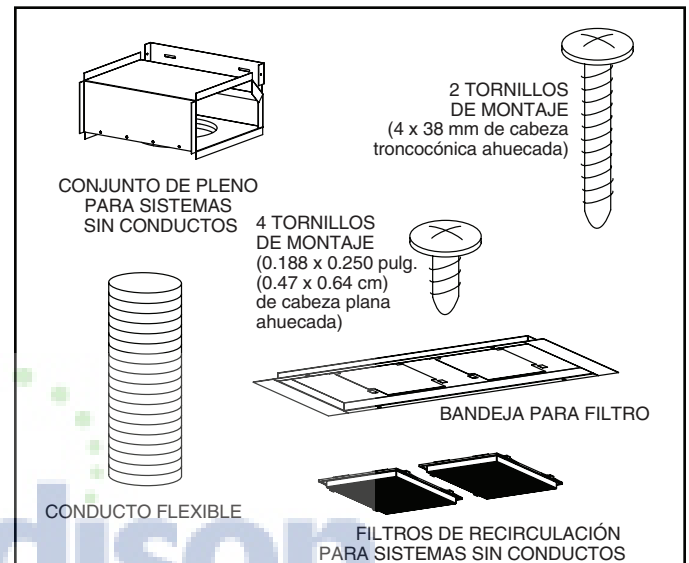
- Deslice la sección superior del tubo de humos decorativo en la sección inferior. **NOTA** Para aplicaciones con conductos, el alistado del tubo de humos superior debe quedar oculto deslizándolo hacia abajo dentro del tubo inferior.
- Coloque con cuidado el conjunto superior/inferior del tubo de humos en el área empotrada de la campana.
- Deslice el tubo de humos superior hacia arriba, hasta que quede alineado con su soporte de montaje. El soporte debe quedar dentro del tubo de humos. Asegure el tubo superior con el soporte de montaje correspondiente, utilizando dos (2) tornillos de montaje de 4 x 12 mm.

**NOTA**

Los cielos rasos de 9 a 10 pies (2.7 a 3 m) puede requieren la extensión para el tubo de humos modelo FXNE56SS dependiendo de la altura de la instalación (se compra por separado). Deseche los tubos de humos superior e inferior incluidos con la campana y reemplácelos con la extensión del tubo modelo FXNE56SS.

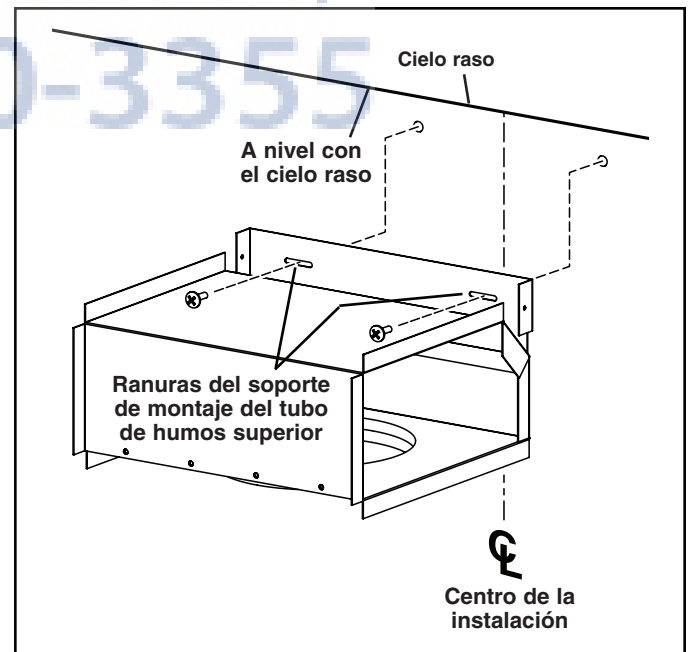
## INSTALE LA CAMPANA (sólo para campanas para sistemas sin conductos)

### CONTENIDO DEL KIT PARA SISTEMAS SIN CONDUCTOS MODELO RKE56

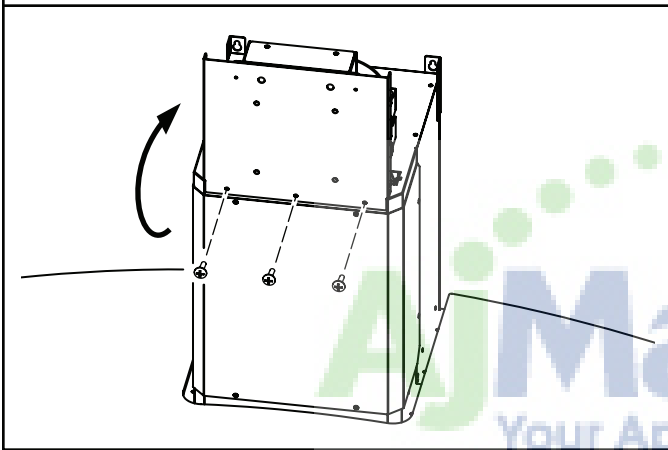
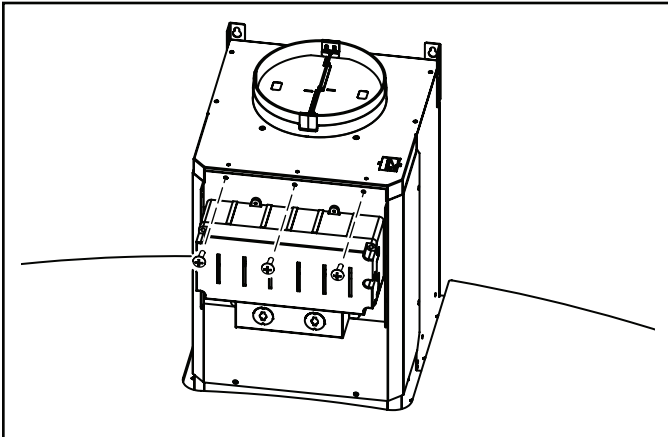


**NOTA**

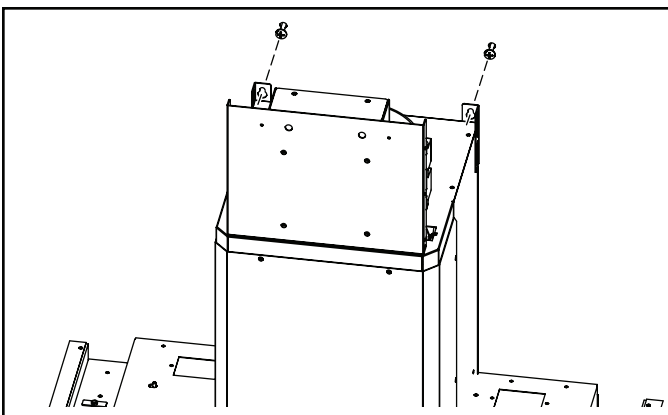
Las instalaciones sin conductos requieren el kit para sistemas sin conductos, modelo RKE56 (se compra por separado).



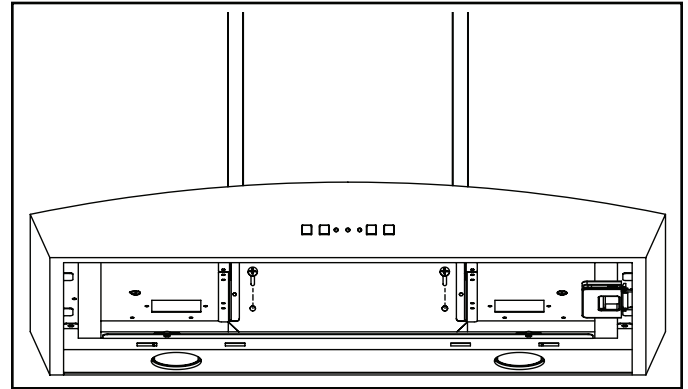
- Centre el pleno sin conducto sobre la ubicación de la campana y a nivel con el cielo raso. Fije el pleno sin conducto a la pared utilizando dos (2) tornillos de montaje de 4 x 38 mm.
- Apriete totalmente los tornillos. Asegúrese de que el pleno sin conducto esté apretado contra la pared.
- Quite las aletas del regulador del conector para conector/conducto y deseche las aletas.



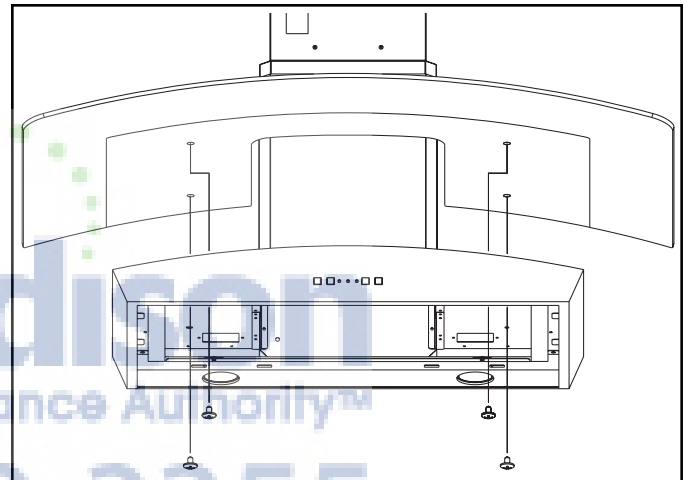
4. Retire tres (3) tornillos que sostienen el soporte de montaje para componentes electrónicos a la campana. Gire 180 grados el soporte y fije nuevamente el soporte a la campana con los mismos tres (3) tornillos.
5. Retire el filtro de grasa estirando hacia abajo la pestaña metálica e inclinando el filtro hacia abajo para quitarlo.
6. En este momento quite la película de plástico protector que cubre el tubo de humos decorativo y la campana.
7. Retire el filtro de grasa estirando hacia abajo la pestaña metálica e inclinando los filtros hacia abajo para quitarlos.



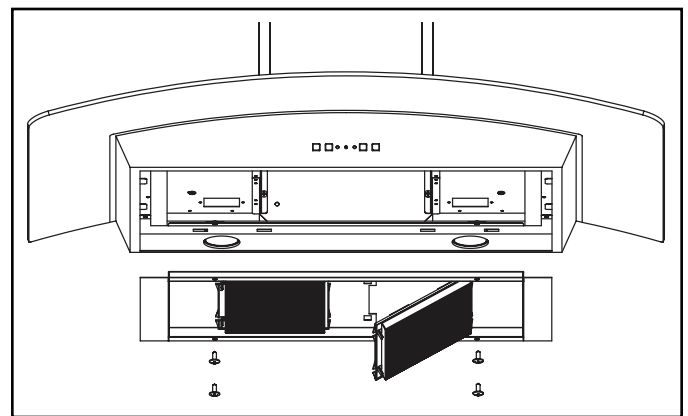
8. Alinee las ranuras tipo bocallave de la campana con los tornillos de montaje que se apretaron parcialmente en la estructura de la pared. Asegúrese de que la campana esté totalmente asentada sobre los tornillos de montaje y que la campana esté nivelada. Luego apriete totalmente los tornillos.



9. Instale dos (2) tornillos largos de 4 x 38 mm en los orificios dentro de la campana y apriételos firmemente.

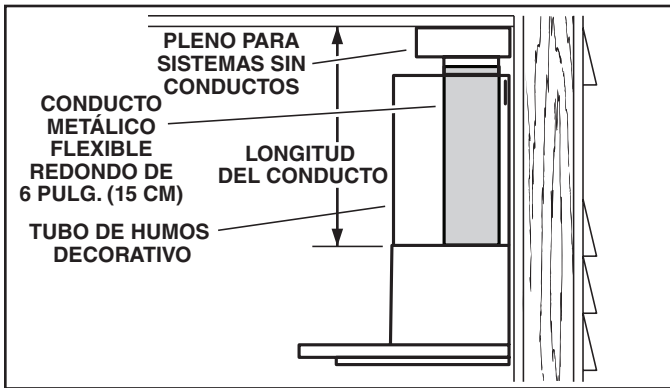


10. Coloque con cuidado la cubierta de vidrio sobre la parte superior de la campana. Alinee las tuercas sobre la cubierta de vidrio con los orificios dentro de la campana. Fije la cubierta con cuatro (4) tornillos de cabeza plana de 0.188 x 0.250 pulg. (0.47 x 0.64 cm). Apriete los tornillos con firmeza, pero **NO APRIETE DE MÁS**.



11. Fije la bandeja del filtro a la parte inferior de la campana usando cuatro (4) tornillos de montaje de 0.188 x 0.250 pulg. (0.47 x 0.64 cm).
12. Coloque a presión 2 filtros sin conductos en las bandejas del filtro sujetando la pestaña del filtro sobre un lado, girando hacia arriba para sujetar a presión los clips del filtro.
13. Reinstale el filtro para grasa alineando la pestaña trasera del filtro con las ranuras de la campana. Estire hacia abajo la





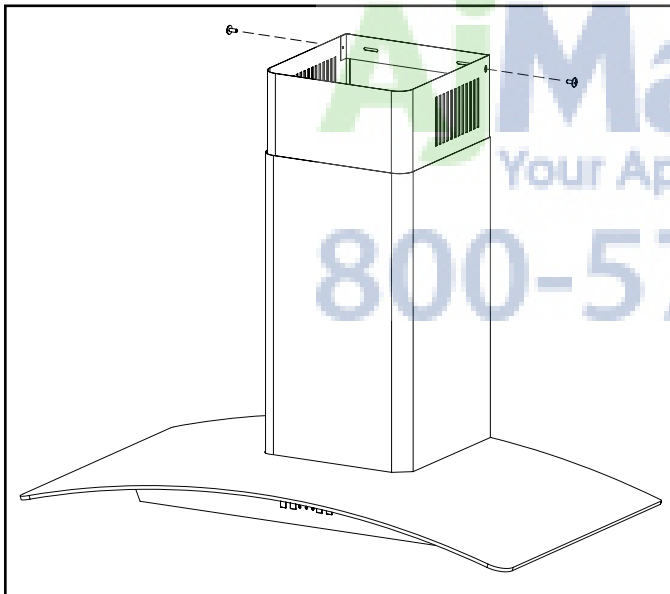
pestaña metálica del cierre, presione el filtro en su posición y suelte. Asegúrese de que el filtro esté firmemente enganchado después de su instalación.

- Mida e instale la sección de conducto metálico flexible (incluido con el RKE56) al conector del conducto de la campana y a la parte inferior del pleno sin conducto. Use cinta para conductos para fijar y sellar todas las uniones.

**PRECAUCIÓN**

No use conductos de plástico.

- Conecte el cable eléctrico en el tomacorriente de la pared.



- Deslice la sección superior del tubo de humos decorativo en la sección inferior. **NOTA** Para aplicaciones sin conducto, el tubo de humos superior debe quedar orientado de tal manera que el alistonado quede hacia el cielo raso.
- Coloque con cuidado el conjunto superior/inferior del tubo de humos en el área empotrada de la campana.
- Deslice el tubo de humos superior hacia arriba, hasta que quede alineado con el pleno sin conducto. El pleno sin conducto debe quedar dentro del tubo de humos. Asegure el tubo de humos superior con el pleno sin conducto utilizando dos (2) tornillos de montaje de 4 x 12 mm.

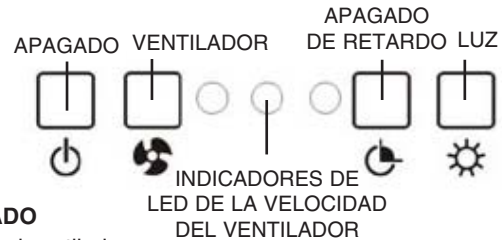
**NOTA**

Los cielos rasos de 9 a 10 pies (2.7 a 3 m) puede requieren la extensión para el tubo de humos modelo FXNE56SS dependiendo de la altura de la instalación (se compra por separado). Deseche los tubos de humos superior e inferior incluidos con la campana y reemplácelos con la extensión del tubo modelo FXNE56SS.

## FUNCIONAMIENTO

ENCIENDA siempre la campana antes de comenzar a cocinar, a fin de establecer un flujo de aire en la cocina. Después de apagar la estufa, deje que la campana funcione durante unos cuantos minutos para despejar el aire.

Para hacer funcionar la campana, haga lo siguiente:



**APAGADO**

APAGA el ventilador

**VENTILADOR** (1 interruptor de botones y 3 velocidades de ventilador)  
Enciende el ventilador en la última velocidad seleccionada y activa un LED azul indicando el ajuste de velocidad del ventilador. Al presionar el botón de VENTILADOR por segunda vez se indexará la velocidad del ventilador y el indicador de LED al siguiente ajuste más alto. Al presionar el botón de VENTILADOR cuando éste se encuentra a su máxima velocidad se indexará el ventilador y el indicador LED al ajuste más bajo.

**APAGADO DE RETARDO (retardo de 10 minutos)**

Activa la función de apagado de retardo de 10 minutos cuando el ventilador está encendido (en cualquier velocidad). Cuando se activa, el indicador LED azul situado por encima del ajuste de velocidad seleccionado comienza a destellar. El ventilador de la campana se apagará automáticamente después de que transcurran 10 minutos. Se puede presionar el botón de apagado de retardo en cualquier momento del conteo regresivo de 10 minutos para apagar la función.

**LUZ (1 interruptor de botones y 3 intensidades de luz)**

ENCIENDE las luces a su intensidad más baja. Al presionar el botón de LUZ por segunda vez se indexará la intensidad de la luz al siguiente nivel más alto. Al presionar el botón de LUZ cuando las luces están a su máxima intensidad apagará las luces.

**INDICACIÓN DE CAMBIO DE FILTRO**

Después de 30 horas de funcionamiento del ventilador, los tres indicadores LED azules destellarán al mismo tiempo, indicando que es tiempo de limpiar los filtros de grasa. Para reiniciar el contador de limpieza del filtro, mantenga presionado el botón de APAGADO por 3 segundos. Los indicadores LED que destellan se apagarán.

**SISTEMA HEAT SENTRY**

Esta campana está equipada con un sistema Heat Sentry estándar que controla el exceso de temperatura y ajusta automáticamente el ventilador en ALTA velocidad.

- Si el ventilador está ENCENDIDO, el sistema Heat Sentry aumentará la velocidad del ventilador a la máxima velocidad cuando la temperatura está elevada. El indicador azul de la velocidad del ventilador (3) se encenderá y destellará rápidamente, indicando que se ha activado la función Heat Sentry. Una vez que se ha reducido la temperatura, el sistema regresará el ventilador a su velocidad original.
- Si el ventilador está APAGADO, el sistema encenderá automáticamente el ventilador a su velocidad máxima cuando la temperatura esté por encima de lo normal. El indicador azul de la velocidad del ventilador (3) se encenderá y destellará rápidamente, indicando que se ha activado la función Heat Sentry. Después de que la temperatura haya disminuido a un nivel normal, el ventilador se apagará.

**FUSIBLES**

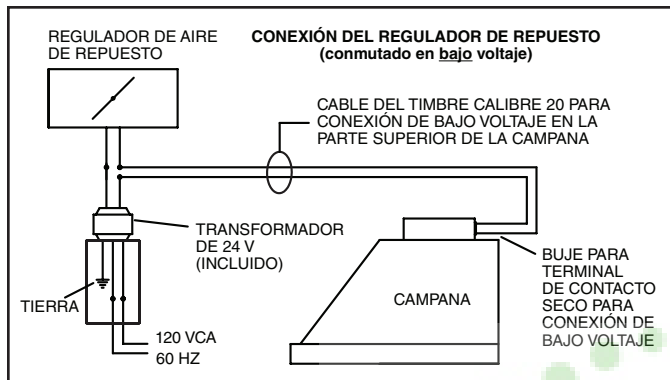
El tablero de control de la campana contiene un fusible principal para proteger los controles de las sobrecargas de energía. Puede comprar fusibles nuevos en una tienda de suministros electrónicos de su localidad. Utilice fusibles tipo cartucho de acción rápida de 5 A, 120 V, de 5 mm de diámetro y 20 mm de largo.

Para reemplazar un fusible (hecho por una persona cualificada):

1. Desconecte la energía en la entrada de servicio.
2. Quite los filtros.
3. Retire la cubierta de control.
4. Quite y revise el fusible.

### REGULADOR DE AIRE DE REPUESTO

La campana es compatible con el regulador de aire de repuesto Broan, Modelo MD6T o Modelo MD8T (opcional). Se compra por separado.



Realice la conexión del regulador de aire de repuesto con cableado de bajo voltaje, como se ilustra. Consulte información adicional en las instrucciones del regulador de aire de repuesto.

### CONTROL REMOTO

La campana es compatible con el control remoto de radio frecuencia (RF) de Broan, Modelo BCR1 (opcional). Se compra por separado.

Para enlazar el control remoto BCR1 con la campana, mantenga presionado durante 3 segundos el botón LUZ.

Los indicadores LED azules se encenderán y apagarán en sucesión para indicar que la campana está en modo de enlace de RF. Al estar en modo de enlace, presione cualquier tecla en el control remoto de RF. En la campana se escuchará un tono audible, y los LED de la campana dejarán de destellar si se logra un enlace exitoso. Si el control remoto no se enlazó correctamente con la campana, el modo de enlace se desactivará después de 12 segundos, y los LED dejarán de destellar en secuencia. Consulte información adicional en las instrucciones del BCR1.

## LIMPIEZA Y MANTENIMIENTO

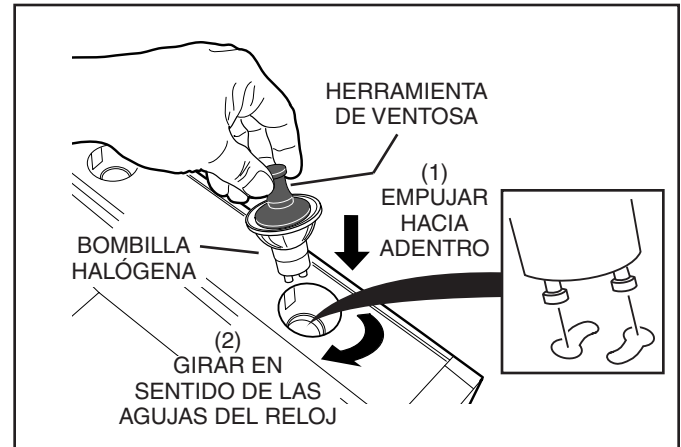
Por motivos de desempeño, apariencia y salud, limpie el filtro, el ventilador y las superficies que tengan grasa. Utilice únicamente un trapo limpio y una solución de detergente suave en superficies de acero inoxidable y pintadas.

Limpie los filtros completamente metálicos en el lavaplatos con un detergente sin fosfatos. La decoloración del filtro puede ocurrir si se utilizan detergentes con fosfato o como resultado de la condición del agua local, pero esto no afectará el rendimiento del filtro. Esta decoloración no está cubierta por la garantía.

Limpie frecuentemente las superficies del filtro de recirculación sin conducto con un paño húmedo y un detergente suave. NO sumerja los filtros en agua ni los coloque en el lavaplatos. Cambie los filtros de recirculación cada 6 meses. Para reemplazar los filtros de circulación para sistemas sin conductos, compre el S99010365 o el modelo FILTERE56.

El motor está permanentemente lubricado y nunca necesitará ponerle aceite. Si los cojinetes del motor hacen un ruido excesivo o inusual, reemplace el conjunto del ventilador con el repuesto de servicio exacto.

### BOMBILLAS



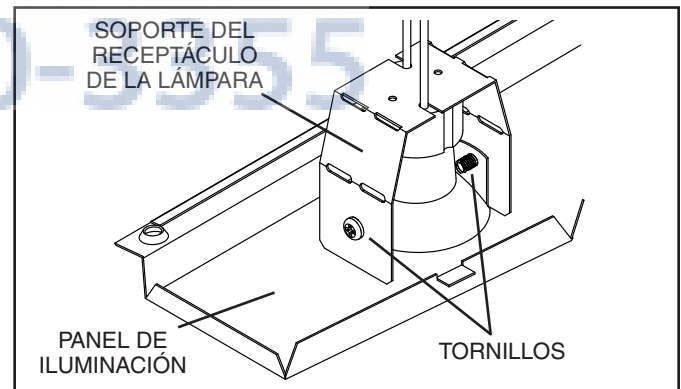
### ADVERTENCIA

Las bombillas podrían estar calientes. Siempre permita que se enfríen las bombillas antes de cambiarlas.

Esta campana requiere dos (2) bombillas halógenas (incluidas con la campana), bombillas halógenas blindadas de 120 V, 35 W, tipo MR16 con base GU10.

### NOTA

La herramienta de ventosa (incluida con la campana) sirve para instalar y quitar bombillas. Alinee las clavijas de la bombilla con la abertura de diámetro grande en el receptáculo, empuje la bombilla hacia la campana y luego gire hacia la derecha hasta que esté firmemente asentada. La posición del receptáculo de la bombilla (profundidad) es ajustable, y podría necesitar ajuste cuando:  
a) Ciertas marcas de bombillas son difíciles de instalar. b) La bombilla sobresale demasiado debajo del panel de luces.



Para cambiar la profundidad de los receptáculos de las bombillas:

- Quite 2 tornillos en el panel de luces – deje a un lado los tornillos
- Retire el panel de iluminación.
- Afloje 2 tornillos que sostienen el soporte del receptáculo de la lámpara al panel de iluminación.
- Ajuste el receptáculo/soporte a la profundidad deseada.
- Vuelva a apretar los tornillos con firmeza.
- Vuelva a fijar el panel de iluminación con los 2 tornillos que dejó a un lado anteriormente.

## PIEZAS DE SERVICIO

CLAVE	PIEZA N.º	DESCRIPCIÓN	CDAD.
1	S99527442	Tubos de humos decorativos superior e inferior	1
2	S99527443	Conjunto de motor/ventilador	1
3	S99527444	Portaluces (incluye las piezas de montaje)	2
4	S99527445	Soporte para portaluces (incluye las piezas de montaje)	2
5	S99527446	Conjunto de la interfaz del usuario	1
6	S99527447	Cable de la interfaz del usuario	1
7	S99527449	Tablero de control	1
8	S99527450	Gabinete de control	1
9	S99527451	Panel de iluminación	1
10	S99010367	Filtro de aluminio para grasa	1
11	S99527457	Bandeja para filtro sin conducto	1
12	S99010365	Filtros de recirculación para sistemas sin conductos (par)	1
13	S99527455	Placa de vidrio curvo (EW5630SS)	1
	S99527456	Placa de vidrio curvo (EW5636SS)	1
14	S99527461	Conjunto del regulador de tiro	1
15	S99527462	6 pulg. (15 cm) de diám. Conducto de aluminio flexible expansible	1
16	S99527463	Conjunto del pleno para sistemas sin conductos	1
17	S99527466	Soporte de montaje del tubo de humos superior	1
18	S99526798	Lámpara halógena MR16 GU10 de 35 W	2
19	S99527468	Condensador	1
*	S99527470	Sensor de calor	1
*	S99527471	Fusible	1
*	S99527472	Bolsa de piezas	1
*	S99527481	Botón para la interfaz del usuario, paquete con 4	4

\* No se muestra.

En nuestro sitio Web se pueden hacer los pedidos de las piezas de repuesto: [www.broan.com](http://www.broan.com)

## GARANTÍA

### GARANTIA BROAN-NUTONE LIMITADA POR UN AÑO

Broan-NuTone garantiza al consumidor comprador original de sus productos que dichos productos carecerán de defectos en materiales o en mano de obra por un período de un año a partir de la fecha original de compra. NO EXISTEN OTRAS GARANTIAS, EXPLÍCITAS O IMPLÍCITAS, INCLUYENDO, PERO NO LIMITADAS A, GARANTIAS IMPLÍCITAS DE COMERCIALIZACION O APTITUD PARA UN PROPOSITO PARTICULAR.

Durante el período de un año, y a su propio criterio, Broan-NuTone reparará o reemplazará, sin costo alguno cualquier producto o pieza que se encuentre defectuosa bajo condiciones normales de servicio y uso.

LA PRESENTE GARANTÍA NO CUBRE LOS TUBOS FLUORESCENTES NI SUS ARRANCADORES, BOMBILLAS DE HALÓGENO E INCANDESCENTES, FUSIBLES, FILTROS, CONDUCTOS, TAPONES DE TECHO O PAREDES Y DEMÁS ACCESORIOS PARA CONDUCTOS. Esta garantía no cubre (a) mantenimiento y servicio normales o (b) cualquier producto o piezas que hayan sido utilizadas de forma errónea, negligente, que hayan causado un accidente, o que hayan sido reparadas o mantenidas inapropiadamente (por otras compañías que no sean Broan-NuTone), instalación defectuosa, o instalación contraria a las instrucciones de instalación recomendadas.

La duración de cualquier garantía implícita se limita a un período de un año como se especifica en la garantía expresa. Algunos estados no permiten limitaciones en cuanto al tiempo de expiración de una garantía implícita, por lo que la limitación antes mencionada puede no aplicarse a usted.

LA OBLIGACION DE BROAN-NUTONE DE REPARAR O REEMPLAZAR, SIGUIENDO EL CRITERIO DE BROAN-NUTONE, DEBERA SER EL UNICO Y EXCLUSIVO RECURSO LEGAL DEL COMPRADOR BAJO ESTA GARANTIA. BROAN-NUTONE NO SERA RESPONSABLE POR DAÑOS INCIDENTALES, CONSECUENTES, O POR DAÑOS ESPECIALES QUE SURJAN A RAIZ DEL USO O DESEMPEÑO DEL PRODUCTO. Algunos estados no permiten la exclusión o limitación de daños incidentales o consecuentes, por lo que la limitación antes mencionada puede no aplicarse a usted.

Esta garantía le proporciona derechos legales específicos, y usted puede también tener otros derechos, los cuales varían de estado a estado. Esta garantía reemplaza todas las garantías anteriores.

Para calificar en la garantía de servicio, usted debe (a) notificar a Broan-NuTone al domicilio o al número de teléfono que se menciona abajo, (b) dar el número del modelo y la identificación de la pieza, y (c) describir la naturaleza de cualquier defecto en el producto o pieza. En el momento de solicitar servicio cubierto por la garantía, usted debe de presentar evidencia de la fecha original de compra.

Broan-NuTone LLC, 926 W. State Street, Hartford, Wisconsin 53027 [www.broan.com](http://www.broan.com) 800-558-1711  
Broan-NuTone Canada, Inc., 1140 Tristar Drive, Mississauga, Ontario L5T 1H9 [www.broan.ca](http://www.broan.ca) 877-896-1119

