

## EVS 7670

Handleless vacuum sealing drawer, 30" width and 9 3/16" height for professional vacuum sealing of food.



- Remaining fresh for longer – storage and portioning of food
- Intense taste sensations – food marination
- Preparation of food for sous-vide cooking
- Easy handling – Touch control and fully telescopic runners
- Push2open – opening the drawer couldn't be easier

EAN: 4002516764274 / Material number: 12423610 / Old Material Number: 30767051USA

<b>Construction type and design</b>	
Built-in vacuum drawer	•
VitroLine	•
ArtLine	•
No Handles	•
Color	Obsidian Black matte
<b>Convenience features</b>	
Preparing for Sous Vide cooking	•
Longer food storage life	•
Marinating food	•
<b>Operating modes</b>	
Vacuumping	•
<b>Range of applications</b>	
Vacuum sealing food	•
Marinating food	•
Dividing food into portions	•
Vacuum sealing containers	•
Resealing original packaging	•
Sealing jars	•
Vacuum sealing liquids	•
<b>User convenience</b>	
Stainless-steel vacuum sealing chamber capacity in l	8,0
Storage compartment	•
Minimum bag size in inch (mm)	9 7/8 (250)
Maximum bag size in mm	13 7/8 (350)
Push2open mechanism	•
Fully telescopic runners for easy loading and unloading	•
Control panel with sensor control	•
Control panel with text	•
Timers	•
Stop programming	•
Timer function	•
LED vacuum setting indicator	•
LED vacuum strength indicator for external containers	•
Sealing duration settings	1 - 3
LED sealing duration indicator	•
Stop function	•
<b>Vacuum technology</b>	
Stainless-steel vacuum chamber	•
Pump capacity in m <sup>3</sup> /h	2.35 (4)
<b>Cleaning convenience</b>	
Flush control panel	•
Note regarding moisture removal from the vacuum pump	•
Replaceable sealing bar	•
<b>Safety</b>	
Safety cut-out	•
<b>Technical data</b>	
Appliance width in in. (mm)	29 7/8 (757)
Appliance height in in. (mm)	9 7/8 (248)
Appliance depth in in. (mm)	22 1/2 (570)

## EVS 7670

Handleless vacuum sealing drawer, 30" width and 9 3/16" height  
for professional vacuum sealing of food.

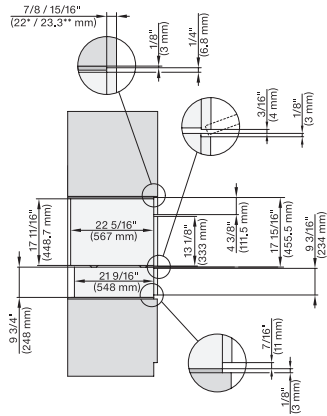


EAN: 4002516764274 / Material number: 12423610 / Old Material Number: 30767051USA

Useable interior height in in. (mm)	3 1/4 (80)
Total connected load in kW	0.52
Voltage in V	120
Frequency in Hz	60
Fuse rating in A	10
Number of phases	1
Connection wire with plug	•
Wire length in ft. (m)	5 (1.8)
<b>Standard accessories</b>	
Adapter for vacuum-sealing container	1
Vacuum sealing bag support	1

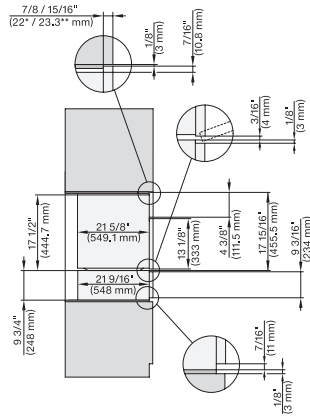
## EVS 7670

Handleless vacuum sealing drawer, 30" width and 9 3/16" height for professional vacuum sealing of food.



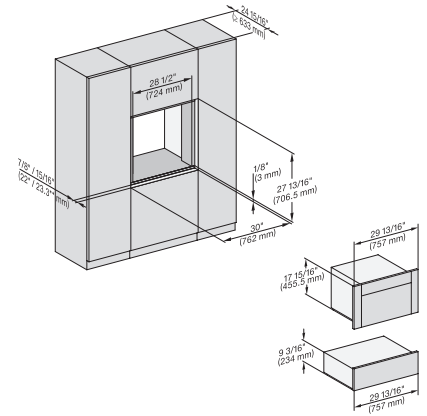
DGC 6x00-1, + EBA 6808, ESW 6x85, DGC 7xxx, EBA 7848, ESW 7x70, EVS 7670 Combi, Installation drawing, Flush inset, NA

7/8" – 22" mm – Glas, 15/16" – 23.3" mm – Edelstahl

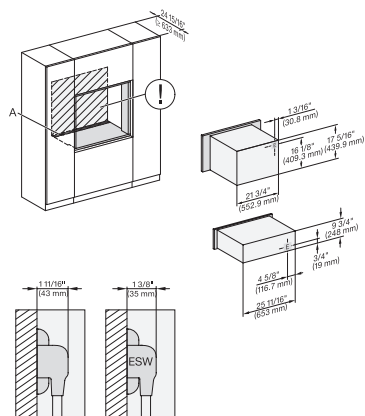


H 6x00 BM + EBA 6808, ESW 6x85, H 7xxx, ESW7x70, EBA7848 EVS 7670 Combi, Installation drawing, Flush inset, NA

7/8" – 22" mm – Glas, 15/16" – 23.3" mm – Edelstahl

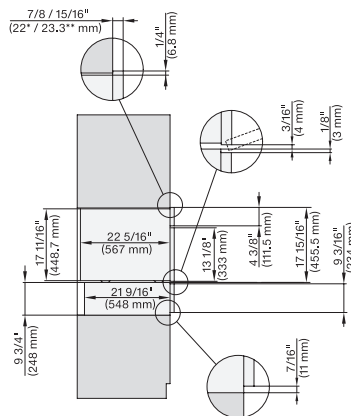


H 6x00 BM + EBA 6808, ESW 6x85, DGC 6x00-1 + EBA 6808, DGC7xxx, EBA7848, H7xxx, Exx7x70 Install drawing, Flush inset, NA



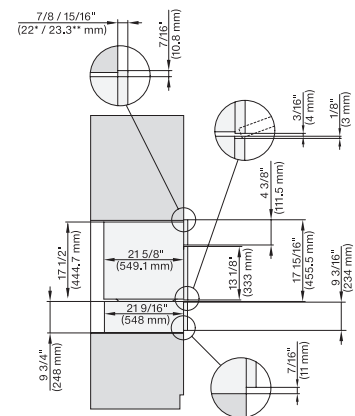
H 6x00 BM + EBA 6808, ESW 6x85, H 7x40BM + EBA 7848 Installation Combi, Installation drawing, Flush inset, NA

A – Cut-out (4" x 28" / 100 mm x 720 mm) in the bottom of the cabinet for power cord and ventilation. – Electrical and water supplies are recommended to be placed in adjacent cabinetry. Additional cabinet depth is required when placing the electrical and water supplies behind the appliance. E = Electric connection



DGC 6x00-1, + EBA 6808, ESW 6x85, DGC7x4x+EBA7848, ESW7x70, EVS7670, Combi, Installation drawing, Proud, NA

7/8" – 22" mm – Glas, 15/16" – 23.3" mm – Edelstahl

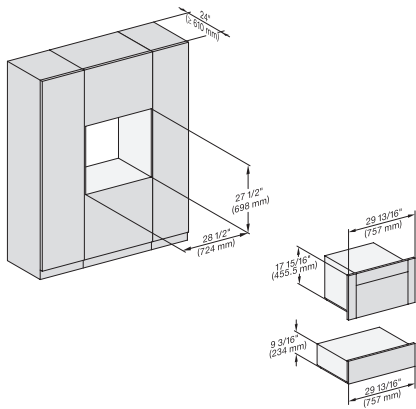


H 6x00 BM + EBA 6808, ESW 6x85, H7x40BM, ESW7x70, EVS7670, Combi, Installation drawing, Proud, NA

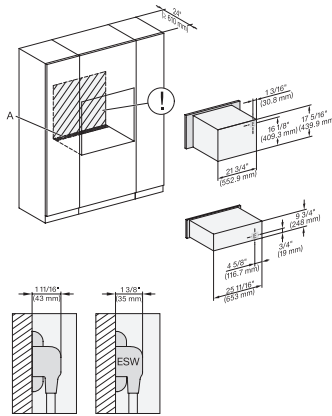
7/8" – 22" mm – Glas, 15/16" – 23.3" mm – Edelstahl

## EVS 7670

Handleless vacuum sealing drawer, 30" width and 9 3/16" height for professional vacuum sealing of food.

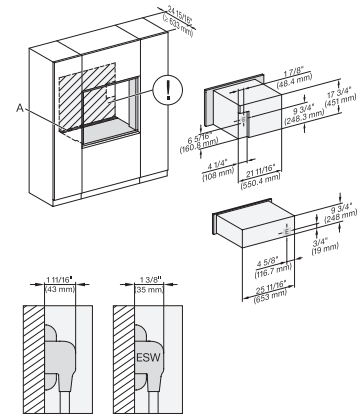


(H6x00BM, DGC6x00-1)+EBA6808, ESW6x85, (DGC7xxx,H7x40BM)+EBA7848, ESW7x70, EVS7670, Fitting Combi, Proud, NA



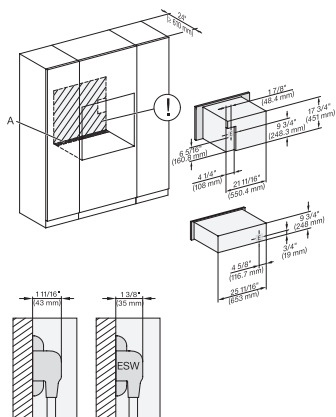
H 6x00 BM + EBA 6808, ESW 6x85, H7x40BM+EBA7848, ESW7x70, EVS7670, Installation Combi, Installation drawing, Proud, NA

A – Cut-out (4" x 28" / 100 mm x 720 mm) in the bottom of the cabinet for power cord and ventilation, – Electrical and water supplies are recommended to be placed in adjacent cabinetry., Additional cabinet depth is required when placing the electrical and water supplies behind the appliance., E = Electric connection



DGC7x4x+EBA7848, ESW7x70, EVS7670, Installation, 30 Zoll, Flush inset, combi, XL

A – Cut-out (4" x 28" / 100 mm x 720 mm) in the bottom of the cabinet for power cord and ventilation, – Electrical and water supplies are recommended to be placed in adjacent cabinetry., Additional cabinet depth is required when placing the electrical and water supplies behind the appliance., E = Electric connection



DGC7x4x+EBA7848, ESW7x70, EVS7670, Installation, 30 Zoll, Proud, combi, XL,

A – Cut-out (4" x 28" / 100 mm x 720 mm) in the bottom of the cabinet for power cord and ventilation, – Electrical and water supplies are recommended to be placed in adjacent cabinetry., Additional cabinet depth is required when placing the electrical and water supplies behind the appliance., E = Electric connection



ESW7670, EVS7670, obsw matt