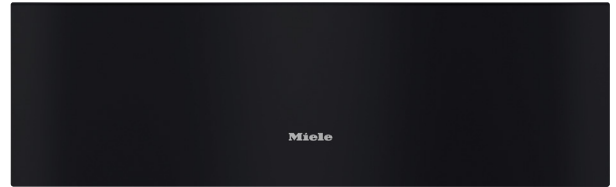


## EVS 7670 - Obsidian Black

### 30" Handless Vacuum Sealing Drawer - VitroLine

#### Features:

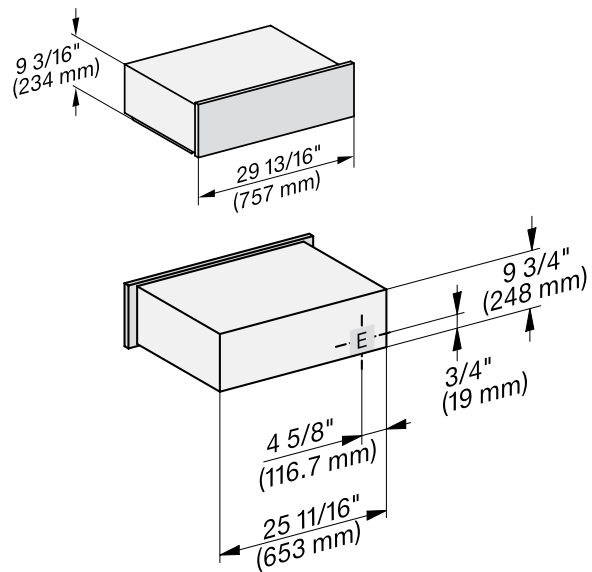
- Remaining fresh for longer – storage and portioning of food
- Intense taste sensations – food marination
- Preparation of food for sous-vide cooking
- Easy handling – Touch control and fully telescopic runners
- Push2open – opening the drawer couldn't be easier



#### MATERIAL #

11845480

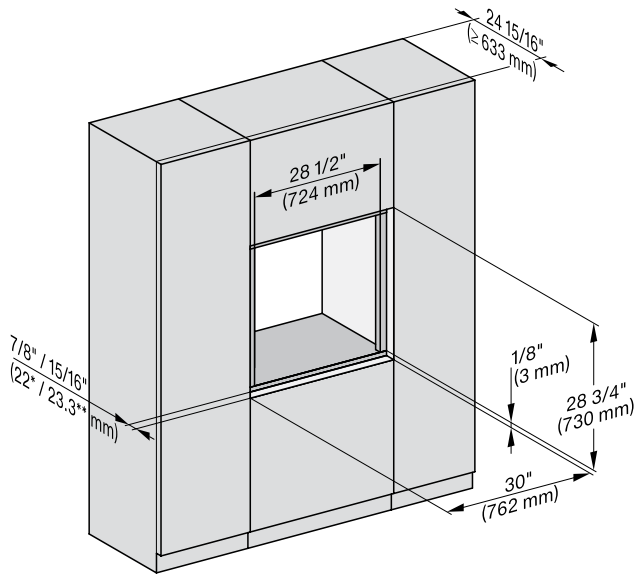
SPECIFICATIONS	
Overall Unit Dimensions	29 <sup>13</sup> / <sub>16</sub> " (757 mm) W x 9 <sup>3</sup> / <sub>4</sub> " (248 mm) H x 21 <sup>3</sup> / <sub>4</sub> " (542 mm) D
Niche	
Cabinet Niche Opening with Combination Appliance	21 <sup>1</sup> / <sub>2</sub> " (724 mm) W x Combination Appliance Opening Height + 9 <sup>3</sup> / <sub>4</sub> " (248 mm) H x 24" (610 mm) D
Electrical	
Electrical Requirements	120V, 60Hz, 15 Amps
Power Cord	NEMA 5-15 plug, 6 ft (1.8 m)
Shipping	
Shipping Weight	114 lbs ( kg)
Shipping Dimensions	28 <sup>3</sup> / <sub>8</sub> " (745 mm) W x 14 <sup>9</sup> / <sub>16</sub> " (370 mm) H x 33 <sup>5</sup> / <sub>16</sub> " (845 mm) D



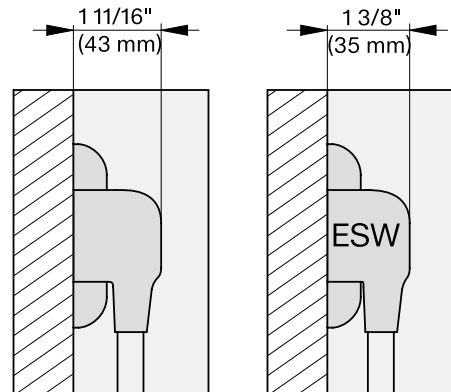
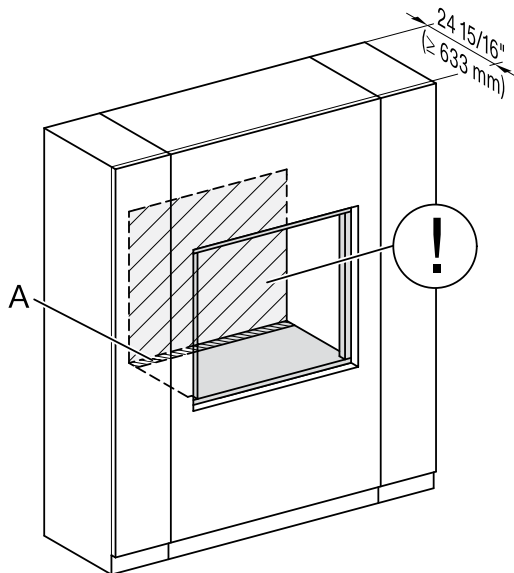
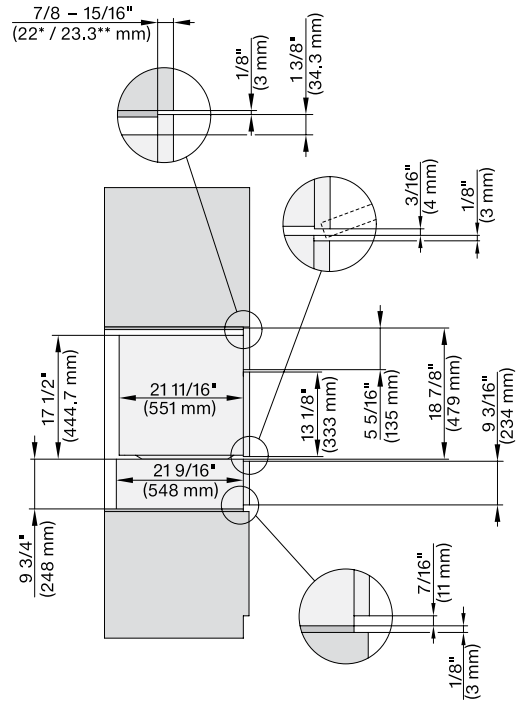
E = Electrical connection

## FLUSH CUTOUT DIMENSIONS

Front View



Side View



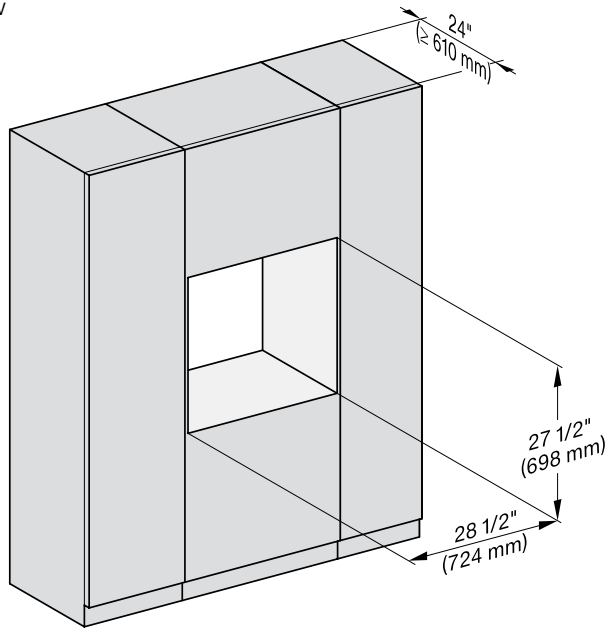
A - Cut-out (4" x 28" [100 mm x 720 mm]) in the bottom of the cabinet for the power cord and Ventilation

⚠- Electrical and water supplies are recommended to be placed in adjacent cabinetry.

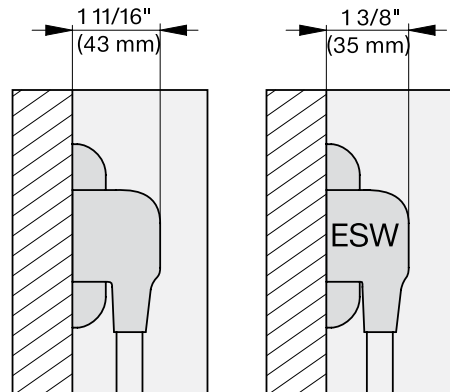
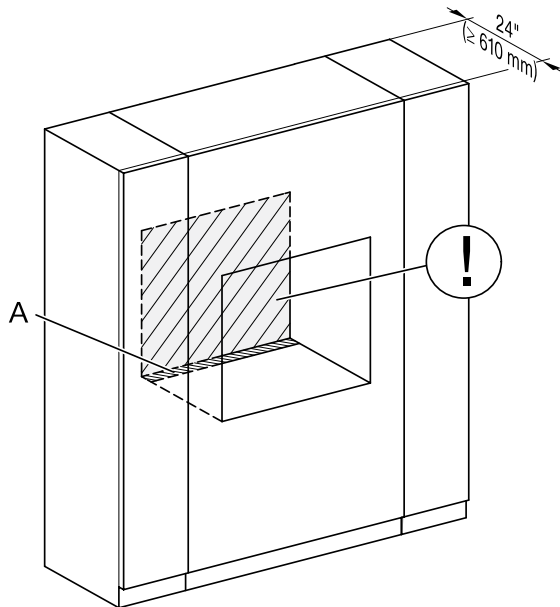
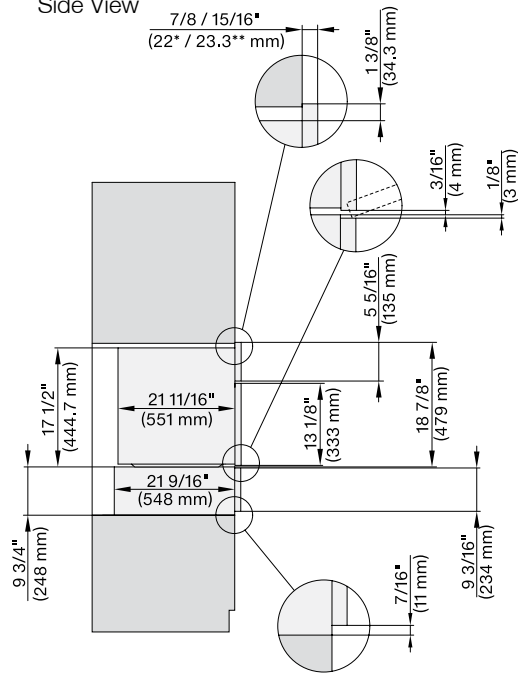
Additional cabinet depth is required when placing the electrical and water supplies behind the appliance.

## PROUD CUTOUT DIMENSIONS

Front View



Side View



A - Cut-out (4" x 28" [100 mm x 720 mm]) in the bottom of the cabinet for the power cord and Ventilation

⚠ - Electrical and water supplies are recommended to be placed in adjacent cabinetry.

Additional cabinet depth is required when placing the electrical and water supplies behind the appliance.