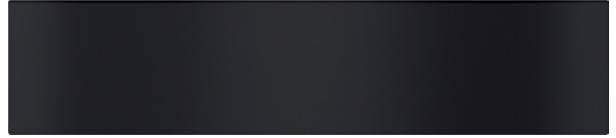


ESW 7010 - Obsidian Black

24" Handless Vacuum Sealing Drawer - VitroLine

Features:

- Remaining fresh for longer – storage and portioning of food
- Intense taste sensations – food marination
- Preparation of food for sous-vide cooking
- Easy handling – Touch control and fully telescopic runners
- Push2open – opening the drawer couldn't be easier

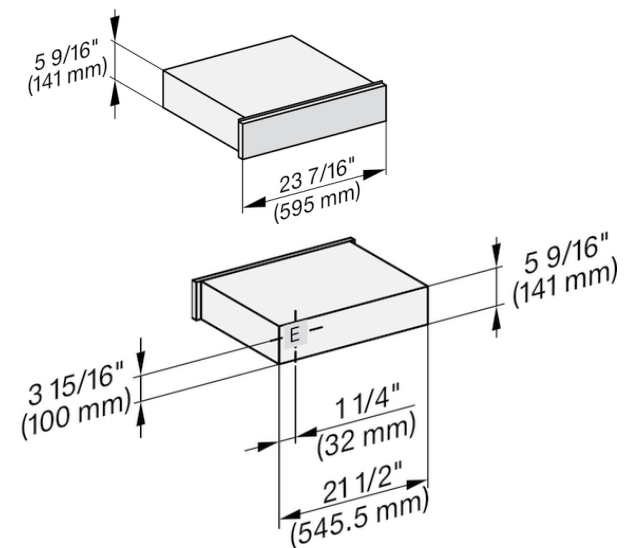


MATERIAL

11845430

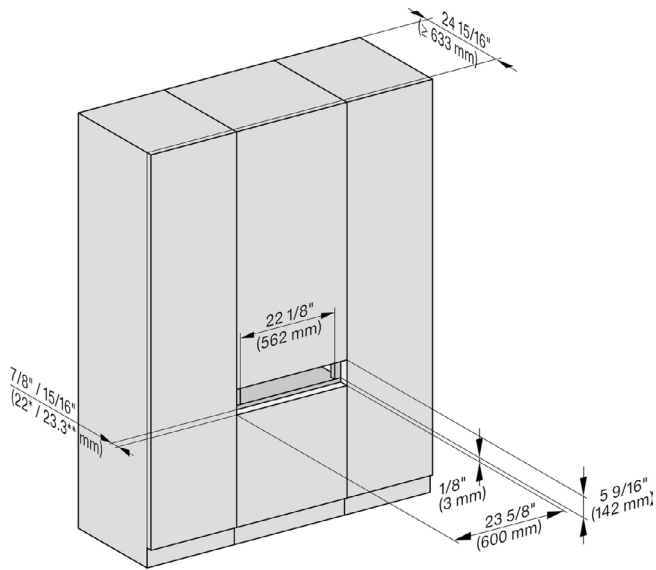
| SPECIFICATIONS | |
|-------------------------------|--|
| Overall Unit Dimensions | 23 ⁷ / ₁₆ " (595 mm) W x 5 ⁹ / ₁₆ " (141 mm) H x 22 ¹ / ₂ " (572 mm) D |
| Niche | |
| Minimum Cabinet Niche Opening | 22 ¹ / ₈ " (562 mm) W x 5 ⁹ / ₁₆ " (142 mm) H x 24" (610 mm) D |
| Electrical | |
| Electrical Requirements | 120V, 60Hz, 15 Amps |
| Power Cord | NEMA 5-15 plug, 6 ft (1.8 m) |
| Shipping | |
| Shipping Weight | 77 lbs (kg) |
| Shipping Dimensions | 26 ³ / ₈ " (665 mm) W x 8 ¹ / ₂ " (215 mm) H x 25 ⁵ / ₈ " (650 mm) D |

PRODUCT DIMENSIONS

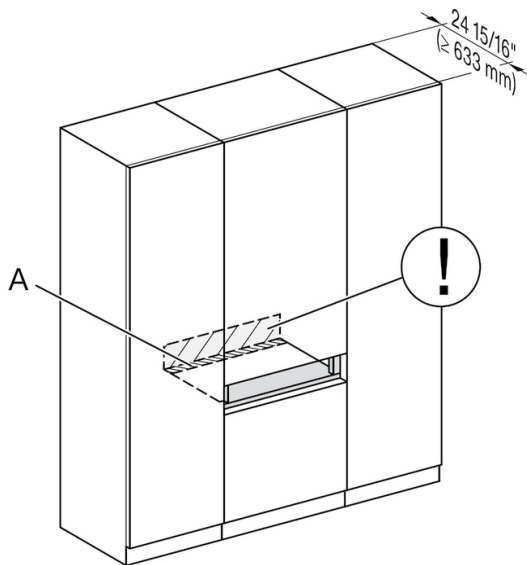
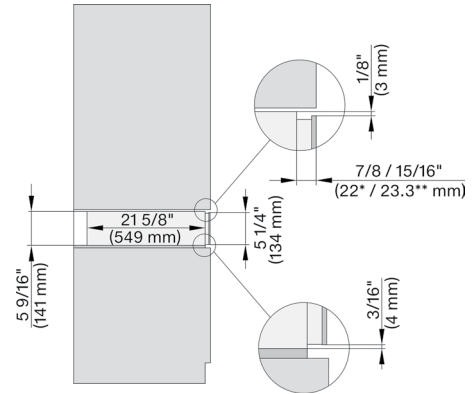


FLUSH CUTOUT DIMENSIONS

Front View



Side View



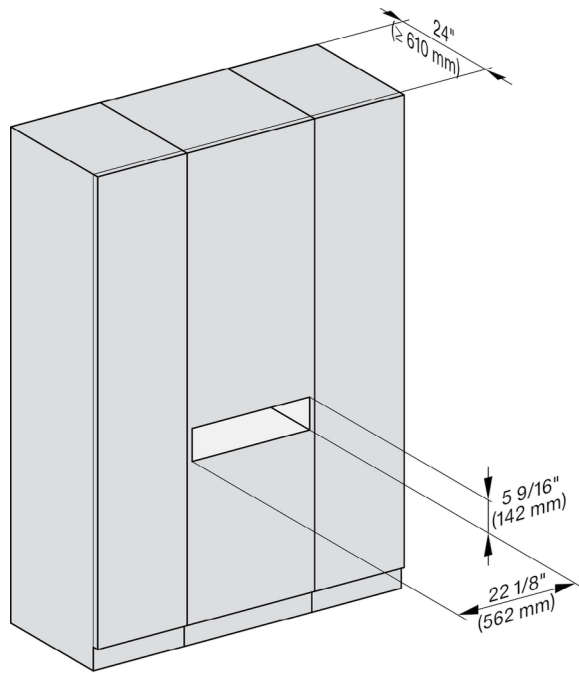
A - Cut-out (4" x 28" [100 mm x 720 mm]) in the bottom of the cabinet for the power cord and Ventilation

⚠ - Electrical and water supplies are recommended to be placed in adjacent cabinetry.

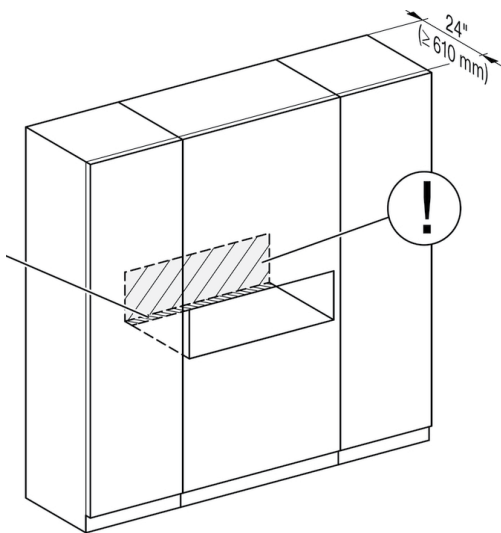
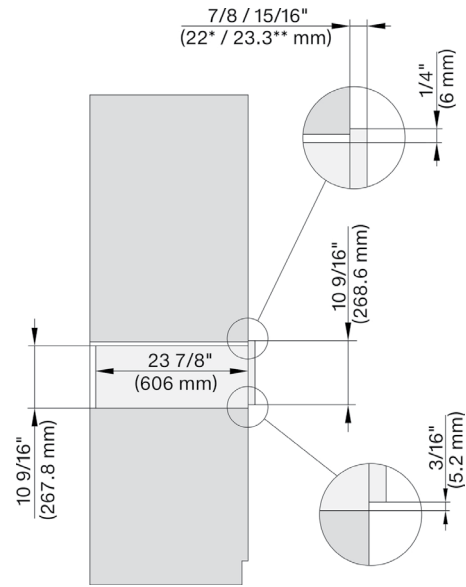
Additional cabinet depth is required when placing the electrical and water supplies behind the appliance.

PROUD CUTOUT DIMENSIONS

Front View



Side View



A - Cut-out (4" x 28" [100 mm x 720 mm]) in the bottom of the cabinet for the power cord and Ventilation

⚠ - Electrical and water supplies are recommended to be placed in adjacent cabinetry.

Additional cabinet depth is required when placing the electrical and water supplies behind the appliance.