

UPRIGHT FREEZER ICE MAKER KIT INSTALLATION INSTRUCTIONS

MACHINE À GLAÇONS DU CONGÉLATEUR VERTICAL— INSTRUCTIONS D'INSTALLATION

IMPORTANT: READ AND SAVE THESE INSTRUCTIONS. INSTALLATION REQUIRES 2 OR MORE PEOPLE.

IMPORTANT : LIRE ET CONSERVER CES INSTRUCTIONS. L'INSTALLATION NÉCESSITE
L'INTERVENTION DE 2 PERSONNES OU PLUS.

Table of Contents/Table des matières

FREEZER ICE MAKER SAFETY	1	SÉCURITÉ DE LA MACHINE À GLAÇONS DU CONGÉLATEUR.....	9
INSTALLATION REQUIREMENTS	2	EXIGENCES D'INSTALLATION	9
INSTALLATION INSTRUCTIONS	4	INSTRUCTIONS D'INSTALLATION	12
TROUBLESHOOTING.....	7	DÉPANNAGE.....	15

FREEZER ICE MAKER SAFETY

Your safety and the safety of others are very important.

We have provided many important safety messages in this manual and on your appliance. Always read and obey all safety messages.



This is the safety alert symbol.

This symbol alerts you to potential hazards that can kill or hurt you and others.

All safety messages will follow the safety alert symbol and either the word "DANGER" or "WARNING."

These words mean:

⚠ DANGER

You can be killed or seriously injured if you don't immediately follow instructions.

⚠ WARNING

You can be killed or seriously injured if you don't follow instructions.

All safety messages will tell you what the potential hazard is, tell you how to reduce the chance of injury, and tell you what can happen if the instructions are not followed.

INSTALLATION REQUIREMENTS

Tools and Parts

Tools Needed

Gather the required tools and parts before starting installation. Read and follow the instructions provided with any tools listed here.

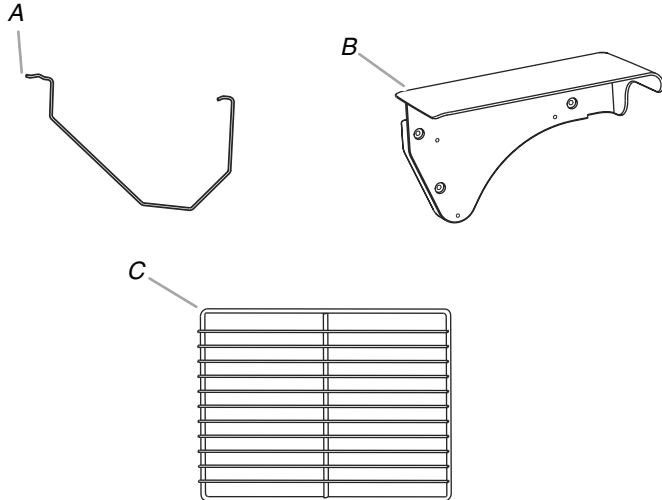
- Cordless drill
- 1/4" nut driver and drill bit
- Flat-blade screwdriver
- #2 Phillips screwdriver
- 7/16" and 1/2" open-end wrenches or two adjustable wrenches
- Small 3/4" round file
- Tubing cutter
- Scissors
- Ruler
- Level
- Step stool (optional)

Parts Needed

- Your freezer dealer has a kit available with a 1/4" (6.35 mm) saddle-type shutoff valve, a union, and copper tubing.
- Or you can purchase a 1/4" (6.35 mm) copper tubing with shutoff valve and a 1/4" (6.35 mm) compression fitting (coupling).
- Depending on water line connections, you may also need a 1/4" (6.35 mm) nut and 1/4" (6.35 mm) ferrule.

Parts Supplied with Freezer

Remove the parts from the Ice Maker Adapter kit that was supplied with your freezer. Check to see that these parts are included.

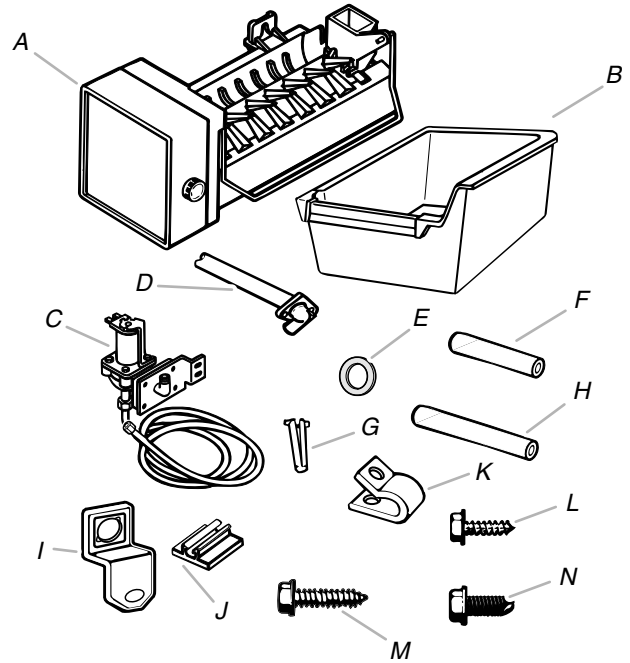


A. Long shutoff arm
B. Ice maker cover
C. Flat wire shelf

Parts Supplied with Ice Maker Kit

Remove the parts from the ice maker kit. Check to see that all parts are included. Some of the included parts will not be used for this freezer.

IMPORTANT: Do not remove the tubing from the water valve. It has been factory installed and leak tested. Do not move the compression nut that connects the tubing to the valve or the valve may leak after you connect it to the water supply.



A. Ice maker
B. Ice bin*
C. Water valve with tubing
D. Fill tube (short)*
E. Gasket*
F. Short extension tube*
G. Metal water tube insert
H. Long extension tube*
I. Ice maker clips (2)*
J. Tubing clips (2)*
K. Water valve tubing clamp
L. 1/2" hex-head sheet metal screws (4)
M. 3/4" hex-head sheet metal screws (2)
N. 1/2" hex-head machine screws (2)

*Not used in two door freezer

Water Supply Requirements

Read all directions before you begin.

IMPORTANT:

- If you turn the freezer on before the water line is connected, turn the ice maker OFF.
- All installations must meet local plumbing code requirements.
- Use plastic tubing and check for leaks. Install plastic tubing only in areas where temperatures will remain above freezing.

Tools Needed

- Flat-blade screwdriver
- $\frac{7}{16}$ " and $\frac{1}{2}$ " open-end wrenches or two adjustable wrenches
- $\frac{1}{4}$ " nut driver and drill bit
- Cordless drill

NOTE: Your freezer dealer has a kit available with a $\frac{1}{4}$ " (6.35 mm) saddle-type shutoff valve, a union, and plastic tubing. Before purchasing, make sure a saddle-type valve complies with your local plumbing codes. Do not use a piercing-type or $\frac{3}{16}$ " (4.76 mm) saddle valve which reduces water flow and clogs more easily.

Water Pressure

A cold water supply with water pressure of between 30 and 120 psi (207 to 827 kPa) is required to operate the ice maker. If you have questions about your water pressure, see the Use and Care Guide or call a licensed, qualified plumber.

Reverse Osmosis Water Supply

If a reverse osmosis water filtration system is connected to your cold water supply, the water pressure to the system needs to be a minimum of 40 to 60 psi (276 to 414 kPa).

If the water pressure to the reverse osmosis system is less than 40 to 60 psi (276 to 414 kPa), a booster pump can be inserted into the small tubing that goes from the cold water line to the reverse osmosis system.

If you have questions about your water pressure, refer to the Use and Care Guide or call a licensed, qualified plumber.

Water Supply Connection

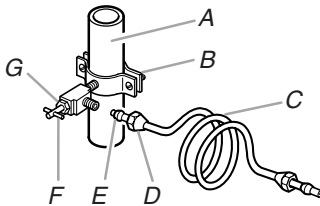
Connect to Water Line

1. Unplug freezer or disconnect power.
2. Turn OFF main water supply. Turn ON nearest faucet long enough to clear line of water.
3. Locate a $\frac{1}{2}$ " to $1\frac{1}{4}$ " (12.7 mm to 3.18 cm) vertical cold water pipe near the freezer.

IMPORTANT:

- Make sure it is a cold water pipe.
 - Horizontal pipe will work, but drill on the top side of the pipe, not the bottom. This will help keep water away from the drill and normal sediment from collecting in the valve.
4. To determine the length of plastic tubing you need, measure from the connection on the lower left rear of freezer to the water pipe. Add 7 ft (2.1 m) to allow for cleaning. Use $\frac{1}{4}$ " (6.35 mm) O.D. (outside diameter) plastic tubing. Be sure both ends of plastic tubing are cut square.
 5. Using a cordless drill, drill a $\frac{1}{4}$ " (6.35 mm) hole in the cold water pipe you have selected.

6. Fasten the shutoff valve to the cold water pipe with the pipe clamp. Be sure the outlet end is solidly in the $\frac{1}{4}$ " (6.35 mm) drilled hole in the water pipe and that the washer is under the pipe clamp.
7. Tighten the packing nut.
8. Tighten the pipe clamp screws evenly so washer makes a watertight seal. Do not overtighten or you may crush the plastic tubing.
9. Slip the compression sleeve and compression nut onto the plastic tubing as shown.
10. Insert the end of the tubing into the outlet end squarely as far as it will go. Screw compression nut onto outlet end with adjustable wrench. Do not overtighten.
11. Place the free end of the tubing in a container or sink, and turn ON the main water supply. Flush the tubing until water is clear.
12. Turn OFF the shutoff valve on the water pipe. Coil the plastic tubing.



- A. Cold water pipe
B. Pipe clamp
C. Copper tubing
D. Compression nut
E. Compression sleeve
F. Shutoff valve
G. Packing nut

INSTALLATION INSTRUCTIONS

Prepare Freezer

⚠ WARNING



Electrical Shock Hazard

Disconnect power before servicing.
Replace all parts and panels before operating.
Failure to do so can result in death or electrical shock.

1. Unplug freezer or disconnect power.

⚠ WARNING

Excessive Weight Hazard

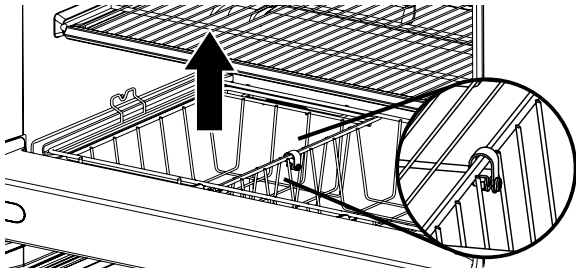
Use two or more people to move and install freezer.
Failure to do so can result in back or other injury.

2. Pull the freezer away from the wall so that you can access the rear.

When Moving Your Freezer:

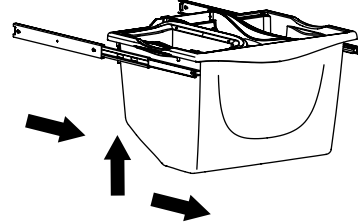
Your freezer is heavy. When moving the freezer for cleaning or service, be sure to cover the floor with cardboard or hardboard to avoid floor damage. Always pull the freezer straight out when moving it. Do not wiggle or “walk” the freezer when trying to move it, as floor damage could occur.

3. Open the freezer door and remove the mullion basket clamp.

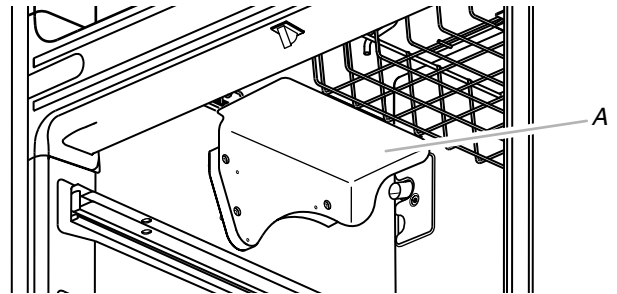


4. Lift out the small mullion basket.

5. To remove the lower storage bin, pull the bin forward, lift up and pull forward again to fully extend the sliders. Lift the storage bin off the sliders. Push the sliders back into the freezer.

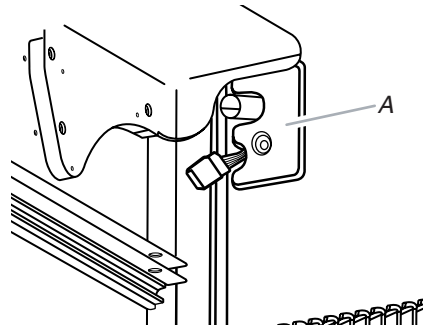


6. Remove the ice maker cover mounting screws from the left-hand interior freezer wall.
7. Install the ice maker cover behind the mullion using the mounting screws.



A. Ice maker cover

8. Remove the tape from the fill tube located on the back of the freezer. Make sure the fill tube is clear of all tape.
9. Remove the ice maker connection cover.
10. Pull the 4-wire harness out from behind the freezer's back cover as far as possible without forcing. Hang it over the edge of the cutout.
11. Reinstall the ice maker connection cover.

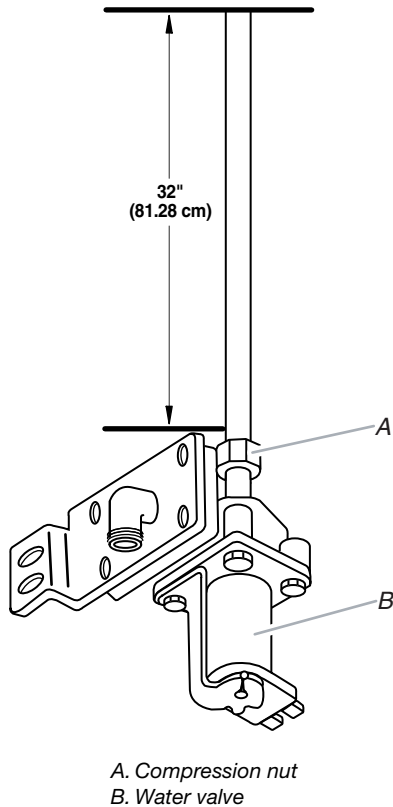


A. Connection cover

Install the Tubing and Water Valve

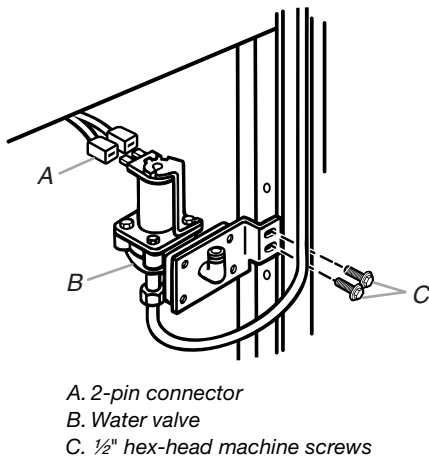
Prepare the Water Valve Tubing

1. Untape the coiled flexible tubing coming from the water valve and straighten it.
2. Starting at the top of the compression nut on the water valve, measure 32" (81.28 cm) and mark the location on the tubing.
3. Using a pair of scissors, make an even cut across the tubing at the mark. Discard the excess tubing.



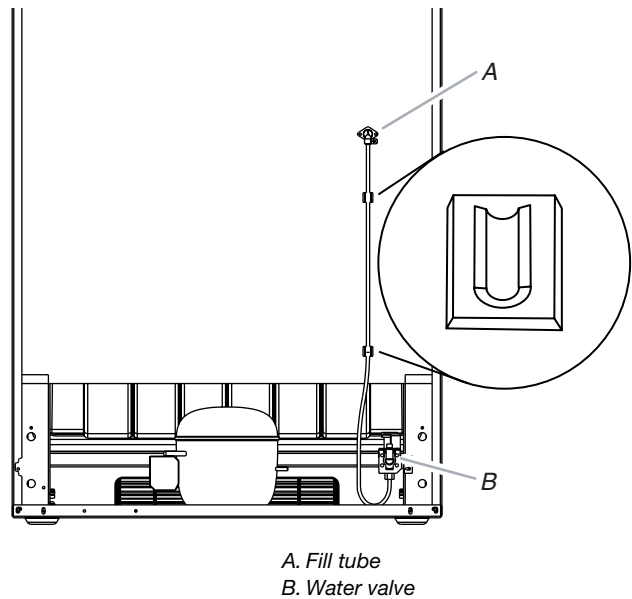
Install the Water Valve

1. Insert the 2-pin connector over the water valve solenoid terminals as far as possible. You can position the connector with the wires at either terminal.
2. Mount the water valve to the mounting holes in the cabinet frame with $\frac{1}{2}$ " hex-head machine screws.



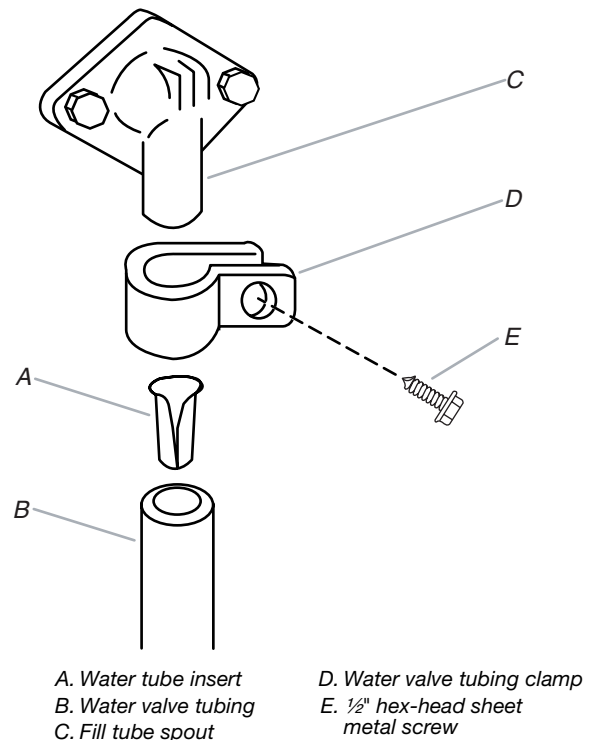
Install the Tubing Clips

1. Peel the backing from the adhesive strips on the tubing clips.
2. Press the clips against the back of the freezer in the locations shown below.



Connect the Water Valve Tubing

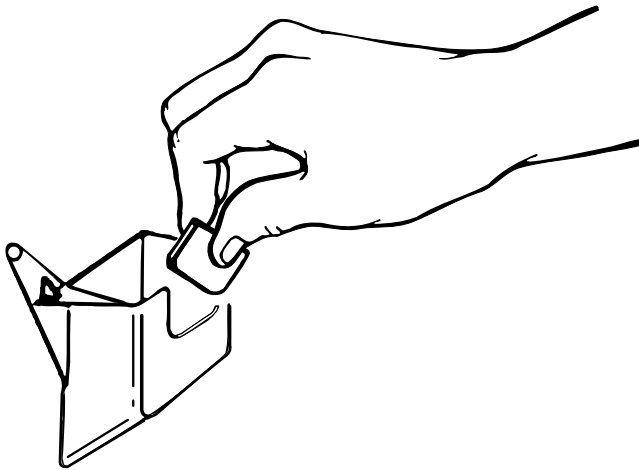
1. Position the water valve tubing clamp with the round hole facing toward you and slide it over the end of the fill tube spout.
NOTE: One of the flanges on the water valve tubing clamp is made for a threaded screw and one side has a round hole.
2. Thread a $\frac{1}{2}$ " hex-head sheet metal screw into the water valve tubing clamp and finger tighten.
3. Place the metal water tube insert into the water valve tubing.



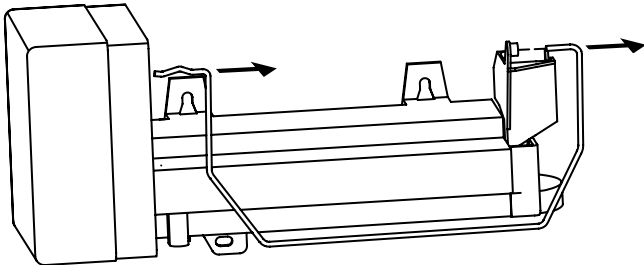
- Slide the end of the water valve tubing onto the end of the fill tube spout as far as it will go. If the tubing will not reach, pull as much as you need through the clips.
- Tighten the tubing clamp screw with a hex-head screwdriver.
- Check to see if the tubing is secure. If it slides out of the spout, replace it and tighten the clamp screw further.
- Press the tubing into the two clips you installed earlier on the back of the freezer.
- Pull any excess tubing near the fill tube down through the two clips so that it forms a straight line with a loop at the bottom of the water valve.

Install Ice Maker

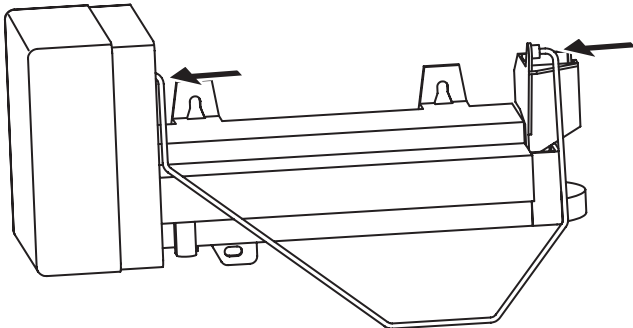
- Remove the U-shaped groove at the rear of the ice maker fill cup. Bend the tab back and forth until it breaks free. The fill tube will fit through this groove when the ice maker is installed.



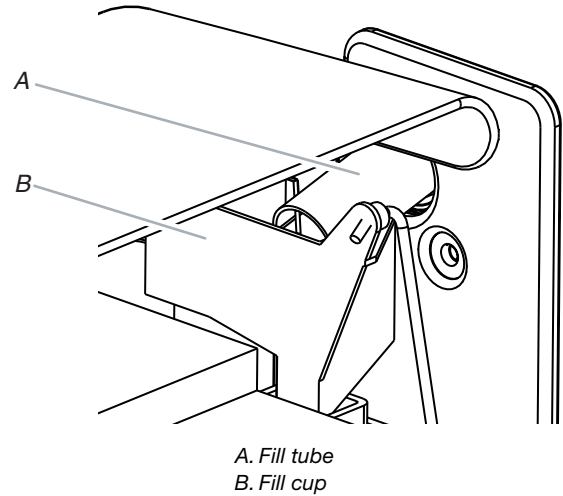
- Remove the ice maker shutoff arm. Remember the shutoff arm positioning.



- Insert the long shutoff arm that was supplied with the freezer. Be sure that it is the same position as the original arm.

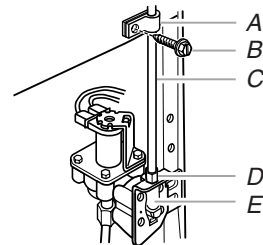


- Position the ice maker inside the freezer and connect the wiring harness to the wiring harness connector so that the locking arm snaps over the raised tab. The connectors will fit together only one way.
- Partially install the two upper mounting screws into the ice maker cover. Position the ice maker assembly onto the upper screws.
- Install the lower mounting screw. Tighten all screws. Do not overtighten.
- Ensure that the fill tube is fitted into the ice maker fill cup.



Connect to Freezer

- Attach the plastic tube to the valve inlet using a compression nut and sleeve as shown. Tighten the compression nut. Do not overtighten.
- Using the tube clamp on the back of the freezer, secure the tubing to the freezer as shown. This will help avoid damage to the tubing when the freezer is pushed back against the wall.
- Turn shutoff valve ON.
- Check for leaks. Tighten any connections (including connections at the valve) or nuts that leak.



A. Tube clamp
B. Tube clamp screw
C. Plastic tubing
D. Compression nut
E. Valve inlet

NOTE: The ice maker is equipped with a built-in water strainer. If your water conditions require a second water strainer, install it in the 1/4" (6.35 mm) water line at either tube connection. Obtain a water strainer from your nearest appliance dealer.

Complete Installation

⚠ WARNING



Electrical Shock Hazard

Plug into a grounded 3 prong outlet.

Do not remove ground prong.

Do not use an adapter.

Do not use an extension cord.

Failure to follow these instructions can result in death, fire, or electrical shock.

1. Plug in freezer or reconnect power.

⚠ WARNING

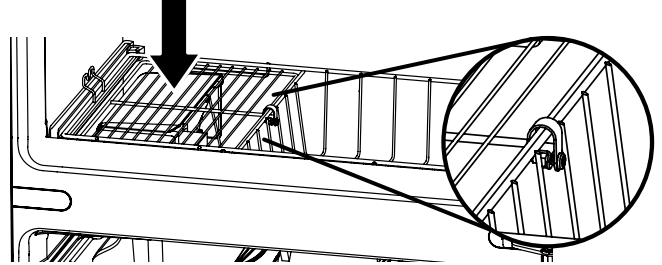
Excessive Weight Hazard

Use two or more people to move and install freezer.

Failure to do so can result in back or other injury.

2. Push the freezer back into place.

3. Place a level on top of the freezer and check to see that it is level. If you need to relevel the freezer see "Adjust the Door" in the Use and Care Guide.
4. Check the position of the ice maker. If it is not straight, loosen the bottom bracket screws and reposition the ice maker as needed. Retighten the screws.
5. Place the flat wire shelf supplied with the freezer onto the mullion basket frame and reinstall the basket clamp.



6. Open the lid of the portable ice bin. Place the bin in the left-hand side of the storage bin.
7. Extend the storage bin slider rails. Place the lower storage bin and ice bin on the rails.
8. Slide the storage and ice bin combination back into the freezer.
9. Lower the arm on the ice maker and close the freezer door.

NOTE: Allow 24 hours to produce the first batch of ice. Discard the first three batches of ice produced. For more information see "Ice Maker" in the Use and Care Guide.

TROUBLESHOOTING

Try the solutions suggested in the Use and Care Guide to avoid the cost of an unnecessary service call...

The ice maker is not producing ice or not enough ice

- Refer to the Troubleshooting section in the Use and Care Guide supplied with your freezer.

Off-taste, odor or gray color in the ice

- Refer to the Troubleshooting section in the Use and Care Guide supplied with your freezer.

Notes

SÉCURITÉ DE LA MACHINE À GLAÇONS DU CONGÉLATEUR

Votre sécurité et celle des autres est très importante.

Nous donnons de nombreux messages de sécurité importants dans ce manuel et sur votre appareil ménager. Assurez-vous de toujours lire tous les messages de sécurité et de vous y conformer.



Voici le symbole d'alerte de sécurité.

Ce symbole d'alerte de sécurité vous signale les dangers potentiels de décès et de blessures graves à vous et à d'autres.

Tous les messages de sécurité suivront le symbole d'alerte de sécurité et le mot "DANGER" ou "AVERTISSEMENT". Ces mots signifient :

⚠ DANGER

Risque possible de décès ou de blessure grave si vous ne suivez pas immédiatement les instructions.

⚠ AVERTISSEMENT

Risque possible de décès ou de blessure grave si vous ne suivez pas les instructions.

Tous les messages de sécurité vous diront quel est le danger potentiel et vous disent comment réduire le risque de blessure et ce qui peut se produire en cas de non-respect des instructions.

EXIGENCES D'INSTALLATION

Outillage et pièces

Outillage nécessaire

Rassembler les outils et pièces nécessaires avant d'entreprendre l'installation. Lire et suivre les instructions fournies avec les outils indiqués ici.

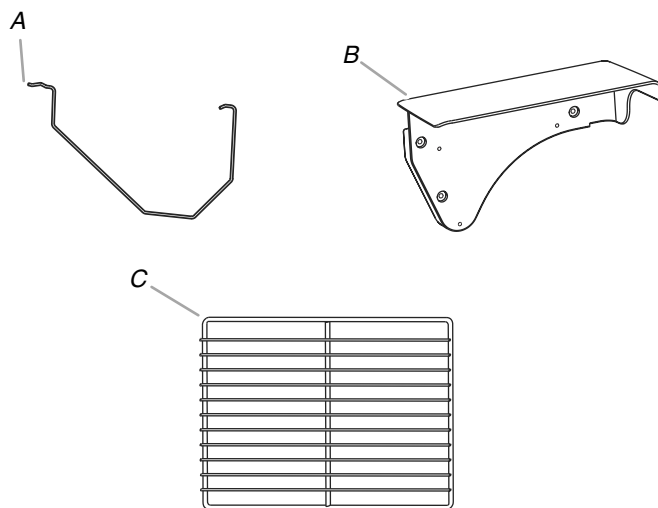
- Perceuse sans fil
- Tourne-écrou et foret de 1/4"
- Tournevis à lame plate
- Tournevis Phillips n° 2
- Clés plates de 7/16" et 1/2" ou deux clés à molette
- Petite lime ronde de 3/4"
- Coupe-tuyau
- Ciseaux
- Règle
- Niveau
- Escabeau (facultatif)

Pièces nécessaires

- Votre marchand de congélateurs dispose d'une trousse avec un robinet d'arrêt à étrier de 1/4" (6,35 mm), un raccord et un tuyau en cuivre.
- On peut aussi choisir comme alternative d'acheter un tuyau en cuivre de 1/4" (6,35 mm) avec un robinet d'arrêt et un raccord de compression de 1/4" (6,35 mm).
- Selon les raccordements de la canalisation d'eau, il vous faudra peut-être aussi un écrou de 1/4" (6,35 mm) et une virole de 1/4" (6,35 mm).

Pièces fournies avec le congélateur

Retirer les pièces de l'ensemble d'adaptateur de la machine à glaçons fourni avec votre congélateur. Vérifier que ces pièces sont incluses.

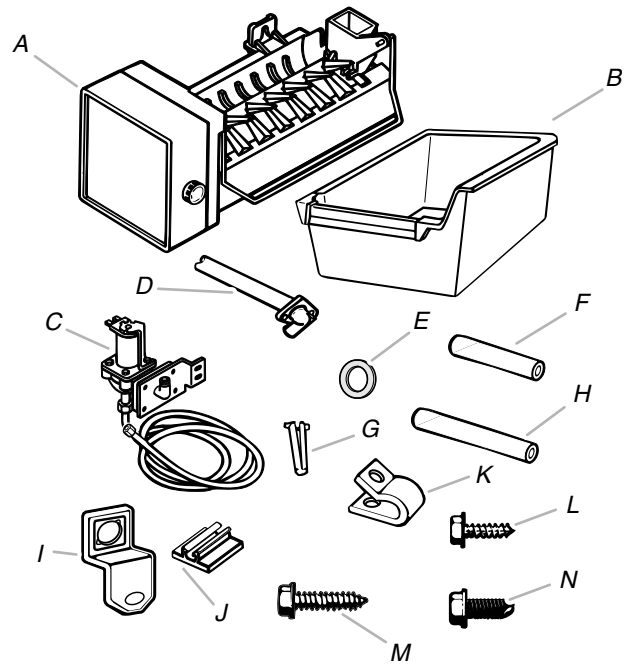


A. Long levier de commande
B. Couvercle de la machine à glaçons
C. Grille métallique plate

Pièces fournies avec la machine à glaçons

Retirer les pièces de l'ensemble de la machine à glaçons. Vérifier que les pièces sont incluses. Certaines des pièces incluses ne seront pas utilisées pour ce congélateur.

IMPORTANT : Ne pas retirer le tuyau du robinet d'eau. Il a été installé à l'usine et testé contre les fuites. Ne pas déplacer l'écrou de compression qui raccorde le tuyau au robinet, sans quoi le robinet pourrait présenter des fuites après son raccordement à l'alimentation en eau.



- A. Machine à glaçons
- B. Bac à glaçons*
- C. Robinet avec tuyau
- D. Tuyau de remplissage (court)*
- E. Joint d'étanchéité*
- F. Tuyau de rallonge court*
- G. Insert métallique de tuyau d'eau
- H. Tuyau de rallonge long*
- I. Attaches de la machine à glaçons (2)*
- J. Attaches du tuyau (2)*
- K. Bride du tuyau du robinet
- L. Vis de tôlerie à tête hexagonale de 1/2" (4)
- M. Vis de tôlerie à tête hexagonale de 3/4" (2)
- N. Vis à métaux à tête hexagonale de 1/2" (2)

*Non utilisé pour les congélateurs à double porte

Spécifications de l'alimentation en eau

Lire toutes les instructions avant de commencer.

IMPORTANT :

- Si le congélateur est mis en marche avant que la canalisation d'eau soit raccordée, il faut éteindre la machine à glaçons.
- Toutes les installations doivent être conformes aux exigences des codes locaux de plomberie.
- Utiliser un tuyau en plastique et vérifier qu'il n'y a pas de fuites. Installer des tuyaux de plastique seulement là où les températures resteront au-dessus du point de congélation.

Outillage nécessaire

- Tournevis à lame plate
- Clés plates de 7/16" and 1/2" ou deux clés à molette
- Tourne-écrou et foret de 1/4"
- Perceuse sans fil

REMARQUE : Votre marchand de congélateurs dispose d'une trousse disponible avec un robinet d'arrêt à étrier de 1/4" (6,35 mm), un raccord et un tuyau en plastique. Avant de faire un achat, s'assurer que le robinet d'arrêt à étrier est conforme aux codes locaux de plomberie. Ne pas employer de robinet d'arrêt à étrier de 3/16" (4,76 mm) ou de type à percer; ils réduisent le débit de l'eau et sont plus susceptibles de causer une obstruction.

Pression de l'eau

Une alimentation en eau froide avec une pression entre 30 et 120 lb/po² (207 et 827 kPa) est nécessaire pour faire fonctionner la machine à glaçons. Pour des questions au sujet de la pression de l'eau, voir le Guide d'utilisation et d'entretien ou appeler un plombier qualifié agréé.

Alimentation en eau par osmose inverse

Si un système de purification de l'eau par osmose inverse est raccordé à votre alimentation en eau froide, la pression de l'eau à l'entrée du système doit être d'un minimum de 40 à 60 lb/po² (276 à 414 kPa).

Si la pression de l'eau au système d'osmose inverse est inférieure à une valeur entre 40 et 60 lb/po² (276 et 414 kPa), une pompe de surpression peut être insérée sur le petit tuyau qui va de la canalisation d'eau froide à l'entrée du système d'osmose inverse.

Pour des questions au sujet de la pression de l'eau, voir le Guide d'utilisation et d'entretien ou appeler un plombier qualifié agréé.

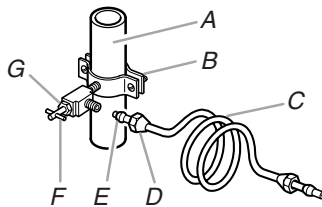
Raccordement de l'alimentation en eau

Raccordement à la canalisation d'eau

1. Débrancher le congélateur ou déconnecter la source de courant électrique.
2. FERMER le robinet principal d'alimentation en eau. OUVRIR le robinet le plus proche pendant une période suffisante pour purger la canalisation entièrement.
3. Repérer une canalisation d'eau froide verticale de 1/2" à 1 1/4" (12,7 mm à 3,18 cm) à proximité du congélateur.

IMPORTANT :

- Vérifier qu'il s'agit d'une canalisation d'eau froide.
 - On peut aussi utiliser une canalisation horizontale; dans ce cas, on devra percer sur la face supérieure du tuyau et non pas au-dessous. Ceci permet de tenir la perceuse à l'écart de l'eau et d'empêcher les sédiments qu'on trouve normalement dans l'eau de s'accumuler dans le robinet d'arrêt.
4. Pour déterminer la longueur du tuyau en plastique nécessaire, mesurer la distance entre le raccord situé sur la partie inférieure arrière gauche du congélateur et le conduit. Ajouter 7 pi (2,1 m) pour faciliter le nettoyage. Utiliser un tuyau en plastique de diamètre externe de 1/4" (6,35 mm). Veiller à ce que le tuyau soit coupé d'équerre aux deux extrémités.
 5. À l'aide d'une perceuse sans fil, percer un trou de 1/4" (6,35 mm) dans la canalisation d'eau froide choisie.



- | | |
|------------------------------|-------------------------|
| A. Canalisation d'eau froide | E. Bague de compression |
| B. Bride de tuyau | F. Robinet d'arrêt |
| C. Tuyau en cuivre | G. Écrou de serrage |
| D. Écrou de compression | |

6. Fixer le robinet d'arrêt sur la canalisation d'eau froide avec la bride de tuyau. Vérifier que l'extrémité du raccord du robinet est bien engagée dans le trou de 1/4" (6,35 mm) percé dans la canalisation et que la rondelle d'étanchéité se trouve sous la bride du tuyau.
7. Serrer l'écrou de serrage.
8. Serrer uniformément les vis fixant la bride de tuyau afin que la rondelle forme un scellement étanche. Ne pas serrer excessivement car ceci pourrait provoquer l'écrasement du conduit en plastique.
9. Enfiler la virole et l'écrou de compression sur le tuyau en plastique tel qu'illustré.
10. Insérer l'extrémité du tuyau perpendiculairement dans l'extrémité de sortie, aussi loin que possible. Visser l'écrou de compression sur l'extrémité de sortie du raccord à l'aide d'une clé à molette. Ne pas serrer excessivement.
11. Placer le bout libre du tuyau dans un récipient ou évier et OUVRIR le robinet principal d'alimentation en eau. Laisser l'eau couler du tuyau jusqu'à ce qu'elle soit limpide.
12. FERMER le robinet principal d'alimentation en eau. Enrouler la tuyauterie en plastique.

INSTRUCTIONS D'INSTALLATION

Préparation du congélateur

⚠ AVERTISSEMENT



Risque de choc électrique

Déconnecter la source de courant électrique avant l'entretien.

Replacer pièces et panneaux avant de faire la remise en marche.

Le non-respect de ces instructions peut causer un décès ou un choc électrique.

1. Débrancher le congélateur ou déconnecter la source de courant électrique.

⚠ AVERTISSEMENT

Risque du poids excessif

Utiliser deux ou plus de personnes pour déplacer et installer le congélateur.

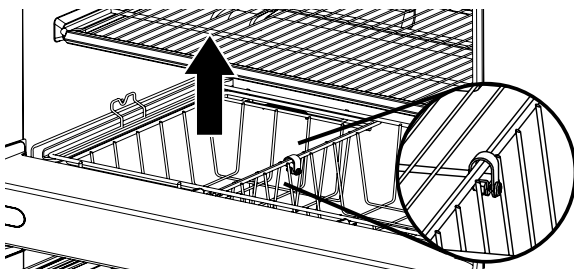
Le non-respect de cette instruction peut causer une blessure au dos ou d'autre blessure.

2. Dégager le congélateur du mur de façon à pouvoir accéder à la partie arrière.

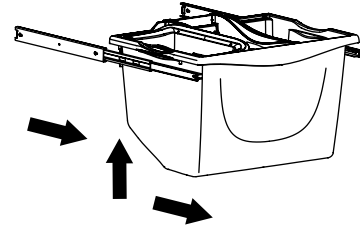
Déplacement de votre congélateur :

Votre congélateur est lourd. Lors du déplacement de votre congélateur pour le nettoyage ou un entretien, veiller à recouvrir le plancher avec du carton ou un panneau de fibre dur pour éviter qu'il ne subisse tout dommage. Toujours tirer le congélateur tout droit lors du déplacement. Ne pas incliner le congélateur d'un côté ou de l'autre ni le "faire marcher" en essayant de le déplacer car le plancher pourrait être endommagé.

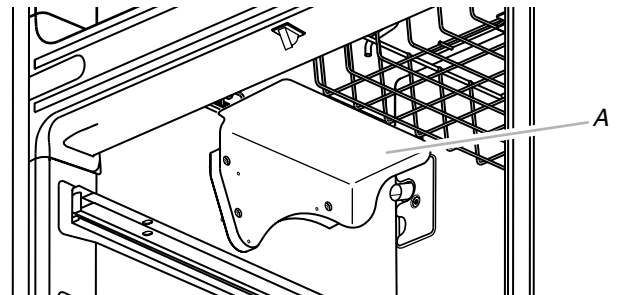
3. Ouvrir la porte du congélateur et ôter la bride du panier de cloisonnement.



4. Soulever le petit panier de cloisonnement.
5. Pour retirer le bac d'entreposage inférieur, tirer le bac vers l'avant, soulever puis le tirer de nouveau vers l'avant afin de déployer les glissières complètement. Dégager le bac d'entreposage des glissières en le soulevant. Repousser les glissières pour les réinstaller dans le congélateur.

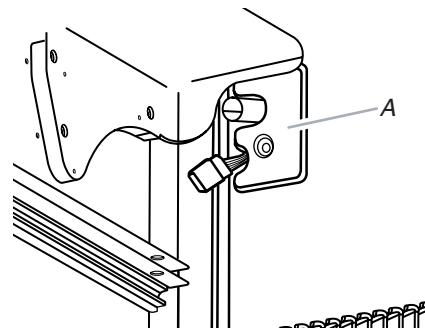


6. Retirer les vis de montage du couvercle de la machine à glaçons de la paroi intérieure gauche du congélateur.
7. Installer le couvercle de la machine à glaçons situé derrière le cloisonnement à l'aide des vis de montage.



A. Couvercle de la machine à glaçons

8. Retirer le ruban adhésif du tuyau de remplissage situé à l'arrière du congélateur. S'assurer que le tuyau de remplissage est exempt de tout ruban adhésif.
9. Ôter le couvercle de raccordement de la machine à glaçons.
10. Tirer sur le faisceau de câblage à 4 fils de l'arrière du congélateur autant que possible sans forcer. Le faire pendre au-dessus du bord de l'ouverture découpée.
11. Réinstaller le couvercle de raccordement de la machine à glaçons.

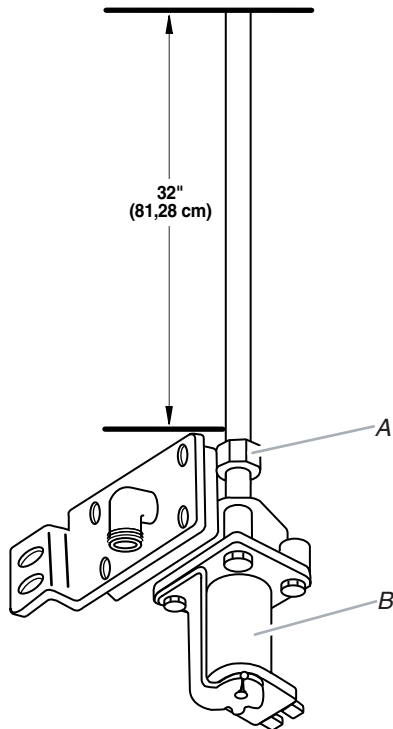


A. Couvercle de raccordement

Installation du tuyau et du robinet

Préparation du tuyau du robinet

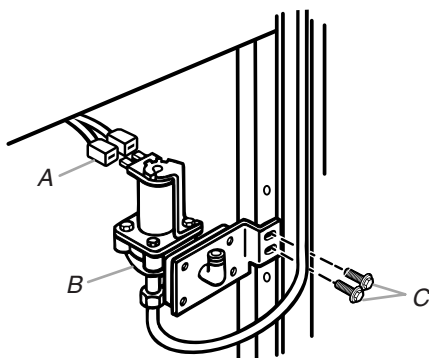
1. Détacher le tuyau souple en spirale provenant du robinet et le redresser.
2. En commençant par le dessus de l'écrou de compression sur le robinet, mesurer 32" (81,28 cm) et marquer un repère sur le tuyau.
3. À l'aide d'une paire de ciseaux, sectionner nettement le tuyau à l'emplacement du repère. Jeter le tuyau en excédent.



A. Écrou de compression
B. Robinet

Installation du robinet

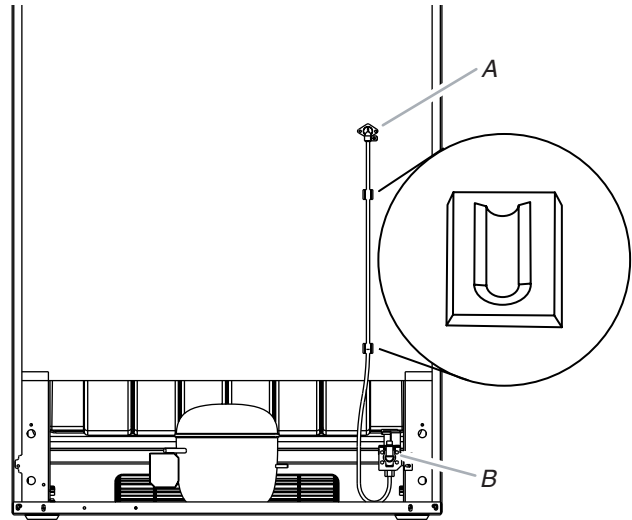
1. Brancher le connecteur à 2 broches sur les bornes du solénoïde du robinet et pousser jusqu'au fond. La position des fils du connecteur sur les bornes est réversible.
2. Monter le robinet au niveau des trous de montage situés dans le châssis de la caisse à l'aide des vis à métaux à tête hexagonale de 1/2".



A. Connecteur à 2 bornes
B. Robinet
C. Vis à métaux à tête hexagonale de 1/2"

Installation des attaches du tuyau

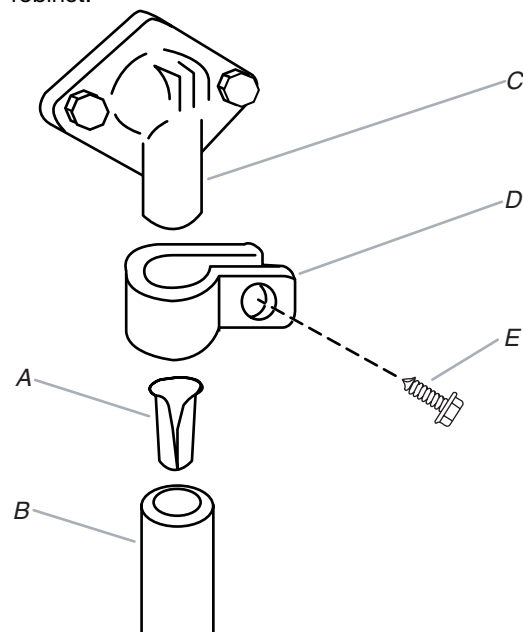
1. Décoller la protection des bandes adhésives situées sur les attaches du tuyau.
2. Fixer les attaches à l'arrière du congélateur aux emplacements indiqués ci-dessous en appuyant dessus.



A. Tuyau de remplissage
B. Robinet

Raccordement du tuyau du robinet

1. Placer la bride du tuyau du robinet avec l'anneau face à soi et l'enfiler par dessus l'extrémité du bec du tuyau de remplissage.
REMARQUE : L'un des rebords de la bride du tuyau du robinet est conçu pour une vis filetée et l'autre côté possède un trou circulaire.
2. Enfiler une vis de tôlerie à tête hexagonale de 1/2" dans la bride de tuyau du robinet et serrer avec les doigts.
3. Placer l'insert du tuyau d'eau métallique dans le tuyau du robinet.



A. Insert du tuyau d'eau
B. Tuyau du robinet
C. Bec du tuyau de remplissage

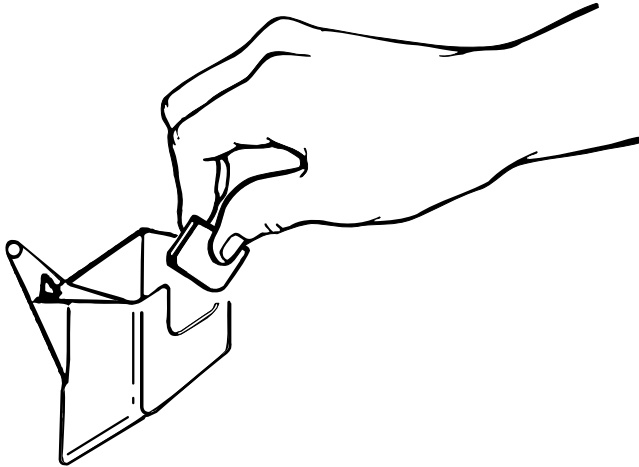
D. Bride du tuyau du robinet
E. Vis de tôlerie à tête hexagonale de 1/2"

- Enfoncer l'extrémité du tuyau du robinet sur l'extrémité du bec du tuyau de remplissage aussi loin que possible. Si le tuyau n'avance pas, tirer autant que possible à travers les attaches.
- Serrer la vis de la bride du tuyau à l'aide d'un tournevis à tête hexagonale.
- Vérifier que le tuyau est solidement fixé. S'il sort du bec, le remettre en place et serrer davantage la vis de la bride.

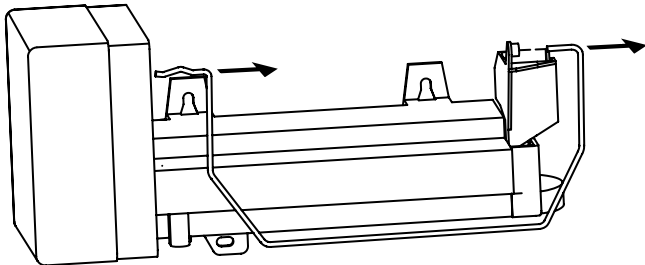
- Insérer le tuyau entre les deux attaches installées précédemment à l'arrière du congélateur.
- Tirer l'excès de tuyau près du tuyau de remplissage vers le bas à travers les deux attaches de façon à ce qu'il forme une ligne droite, avec une boucle au bas du robinet.

Installation de la machine à glaçons

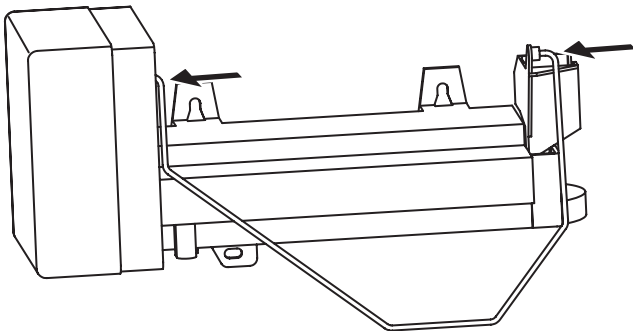
- Ôter la rainure en forme de U à l'arrière de la cuvette de remplissage de la machine à glaçons. Plier la languette vers l'arrière puis vers l'avant jusqu'à ce qu'elle se détache. Le tuyau de remplissage sera calé dans cette rainure lorsque la machine à glaçons sera installée.



- Ôter le levier de commande de la machine à glaçons. Noter la position du levier de commande.

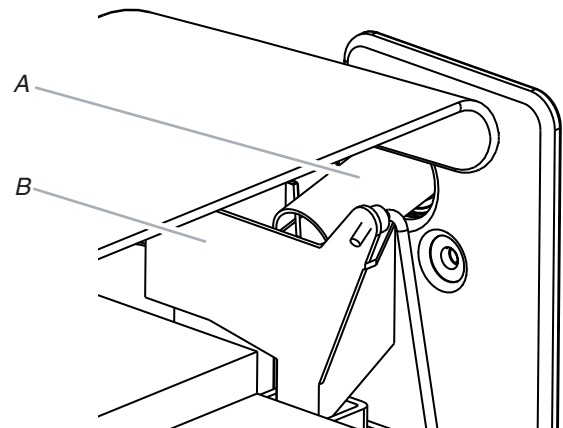


- Insérer le long levier de commande fourni avec le congélateur. Veiller à ce qu'il soit dans la même position que le levier de commande d'origine.



- Placer la machine à glaçons dans le congélateur et raccorder le faisceau de câblage au connecteur du faisceau de câblage de façon à ce que le levier de verrouillage s'emboîte sur la languette en position élevée. Les connecteurs ne peuvent être raccordés que d'une seule façon.

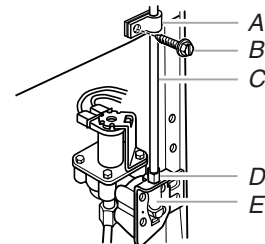
- Placer et serrer partiellement les deux vis de montage supérieures dans le couvercle de la machine à glaçons. Placer la machine à glaçons sur les vis supérieures.
- Installer la vis de montage inférieure. Serrer toutes les vis. Ne pas serrer excessivement.
- S'assurer que le tuyau de remplissage est bien emboîté dans la cuvette de remplissage de la machine à glaçons.



A. Tuyau de remplissage
B. Cuvette de remplissage

Raccordement au congélateur

- Fixer le tuyau en plastique au robinet d'arrivée d'eau à l'aide d'un écrou et d'une bague de compression tel qu'illustré. Serrer l'écrou de compression. Ne pas serrer excessivement.
- À l'aide de la bride du tuyau à l'arrière du congélateur, fixer le tuyau au congélateur tel qu'illustré. Ceci permet d'éviter d'endommager le tuyau lorsque le congélateur est repoussé contre le mur.
- OUVRIR le robinet d'arrêt.
- Vérifier qu'il n'y a pas de fuites. Serrer tous les raccords (y compris les raccords du robinet) ou les écrous qui présentent des fuites.



A. Bride de tuyau
B. Vis de la bride du tuyau
C. Tuyau en plastique
D. Écrou de compression
E. Orifice d'arrivée d'eau

REMARQUE : La machine à glaçons comporte un filtre à eau incorporé. Si les caractéristiques de l'eau requièrent un second filtre à eau, installer celui-ci dans la canalisation d'eau de 1/4" (6,35 mm) à l'une ou l'autre des extrémités du tuyau. Se procurer un filtre à eau auprès de votre marchand d'appareils ménagers le plus proche.

Achever l'installation

⚠ AVERTISSEMENT



Risque de choc électrique

Brancher sur une prise à 3 alvéoles reliée à la terre.

Ne pas enlever la broche de liaison à la terre.

Ne pas utiliser un adaptateur.

Ne pas utiliser un câble de rallonge.

Le non-respect de ces instructions peut causer un décès, un incendie ou un choc électrique.

1. Brancher le congélateur ou reconnecter la source de courant électrique.

⚠ AVERTISSEMENT

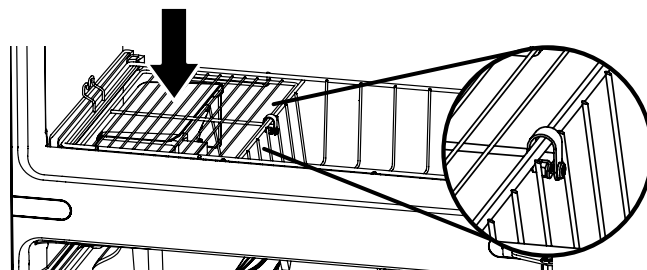
Risque du poids excessif

Utiliser deux ou plus de personnes pour déplacer et installer le congélateur.

Le non-respect de cette instruction peut causer une blessure au dos ou d'autre blessure.

2. Remettre le congélateur en place.

3. Placer un niveau au sommet du congélateur et vérifier qu'il est de niveau. S'il est nécessaire de rétablir le nivellement du congélateur, voir "Ajustement de la porte" dans le Guide d'utilisation et d'entretien.
4. Vérifier la position de la machine à glaçons. Si elle n'est pas droite, desserrer les vis de la bride du fond et repositionner la machine à glaçons de la manière souhaitée. Resserrer les vis.
5. Placer l'étagère métallique plate fournie avec le congélateur sur le cadre du panier de cloisonnement et réinstaller la bride du panier.



6. Ouvrir le couvercle du bac à glaçons portatif. Placer le bac du côté gauche du bac d'entreposage.
7. Déployer les glissières du bac d'entreposage. Placer le bac d'entreposage inférieur et le bac à glaçons sur les glissières.
8. Remettre le bac d'entreposage et le bac à glaçons dans le congélateur en les faisant glisser.
9. Abaisser le levier de commande de la machine à glaçons et fermer la porte du congélateur.

REMARQUE : Prévoir un délai de 24 heures pour la production du premier lot de glaçons. Jeter les trois premiers lots de glaçons produits. Pour plus de renseignements, voir "Machine à glaçons" dans le Guide d'utilisation et d'entretien.

DÉPANNAGE

Essayer les solutions suggérées dans le Guide d'utilisation et d'entretien afin d'éviter le coût d'une visite de service inutile...

La machine à glaçons ne produit pas ou pas suffisamment de glaçons

- Consulter la section Dépannage dans le Guide d'utilisation et d'entretien fourni avec le congélateur.

Mauvais goût, mauvaise odeur ou couleur grise des glaçons

- Consulter la section Dépannage dans le Guide d'utilisation et d'entretien fourni avec le congélateur.

