

PureLine Obsidian Black
24" Warming Drawer

ESW 6214 OBSW



PureLine 24" Obsidian Black Warming Drawer

ESW 6214 OBSW



ESW 6214 OBSW

Features:

- Touch controls
- Fan-assisted heating system
- Time control, 4-hour timer
- Temperature settings from 104°F to 185°F
- Push-to-open mechanism/handleless
- Keeps food or plates and cups warm
- Non-slip liner
- Cool touch front

SPECIFICATIONS	
ESW 6214 OBSW - Item # 30621422USA	
Overall Unit Width - Excluding Fascia Dimension	21 ¹ / ₈ " (537 mm)
Overall Height - Excluding Fascia Dimension	5 ⁹ / ₁₆ " (141 mm)
Overall Depth - Excluding Fascia Dimension	21 ⁹ / ₁₆ " (548 mm)
Overall Fascia Dimensions	23 ⁷ / ₁₆ " (595 mm) W x 5 ¹ / ₄ " (134 mm) H x 7 ⁷ / ₈ " (22 mm) D
Built-In	
Minimum Cabinet Width	22 ¹ / ₁₆ " (560 mm)
Minimum Cabinet Depth	21 ⁵ / ₈ " (550 mm)
Electrical	
Electrical Requirements	120V 15A 60Hz
Power Cord	Molded NEMA 5-15 plug, 5 ft (1.5m)
Electrical Rating	0.72kW (120V)
Total Amps	6A on 120V
Shipping	
Shipping Weight	46 lbs (21 kg)
Shipping Dimensions	25 ³ / ₄ " W x 8 ¹ / ₂ " H x 25 ³ / ₈ " L
Support	
Call Miele	800.843.7231
Miele Website	www.mieleusa.com
20/20 Link	2020technologies.com

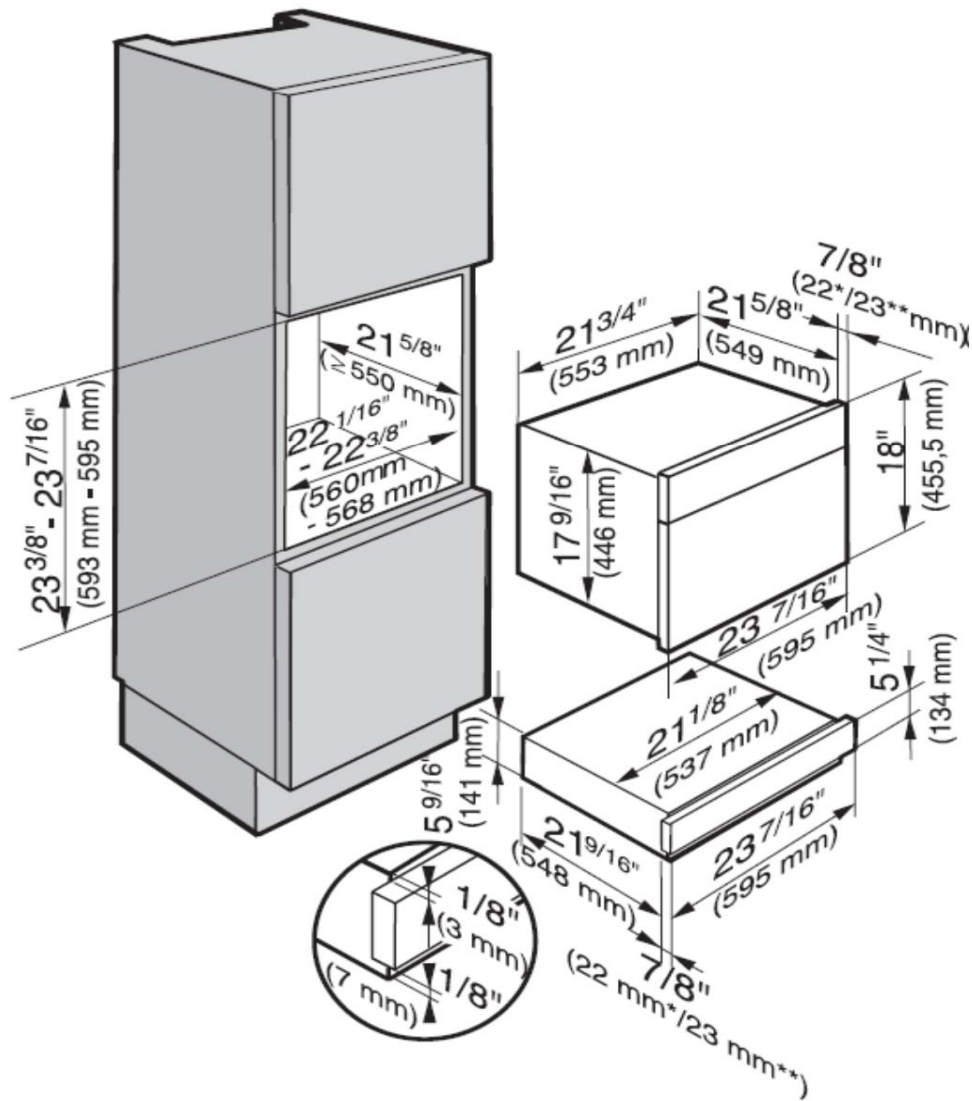
Please Note: The gourmet warming drawer must be installed only in combination with other appliances specified by Miele.

PureLine 24" Obsidian Black Warming Drawer ESW 6214 OBSW



INSTALLATION SPECIFICATIONS

Under 24" (60cm)
Speed Oven,
Steam Oven,
Combi Steam Oven,
Microwave Oven,
and Coffee (CVA)



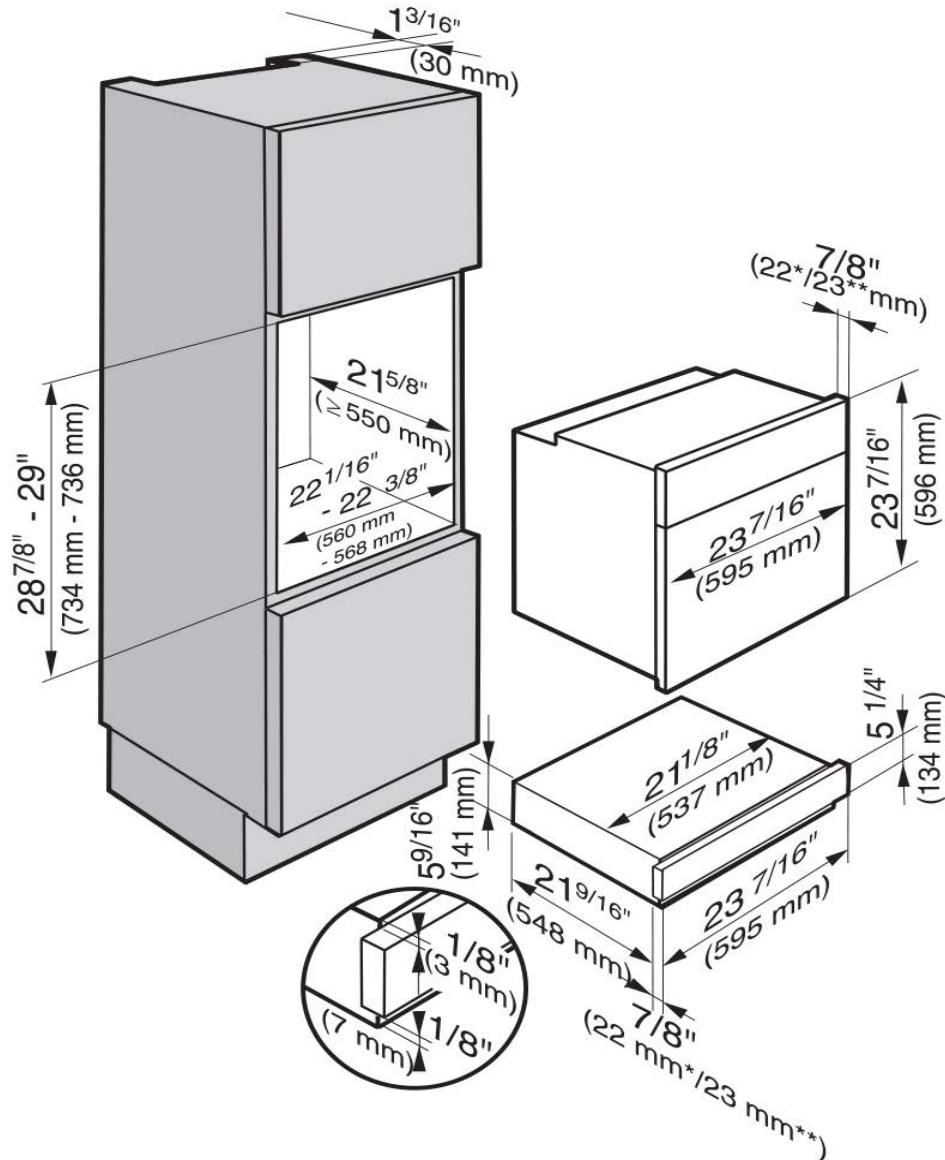
Please Note: The gourmet warming drawer must be installed only in combination with other appliances specified by Miele.

PureLine 24" Obsidian Black Warming Drawer ESW 6214 OBSW



INSTALLATION SPECIFICATIONS

Under 24" (60cm)
Convection Oven



Please Note: The gourmet warming drawer must be installed only in combination with other appliances specified by Miele.