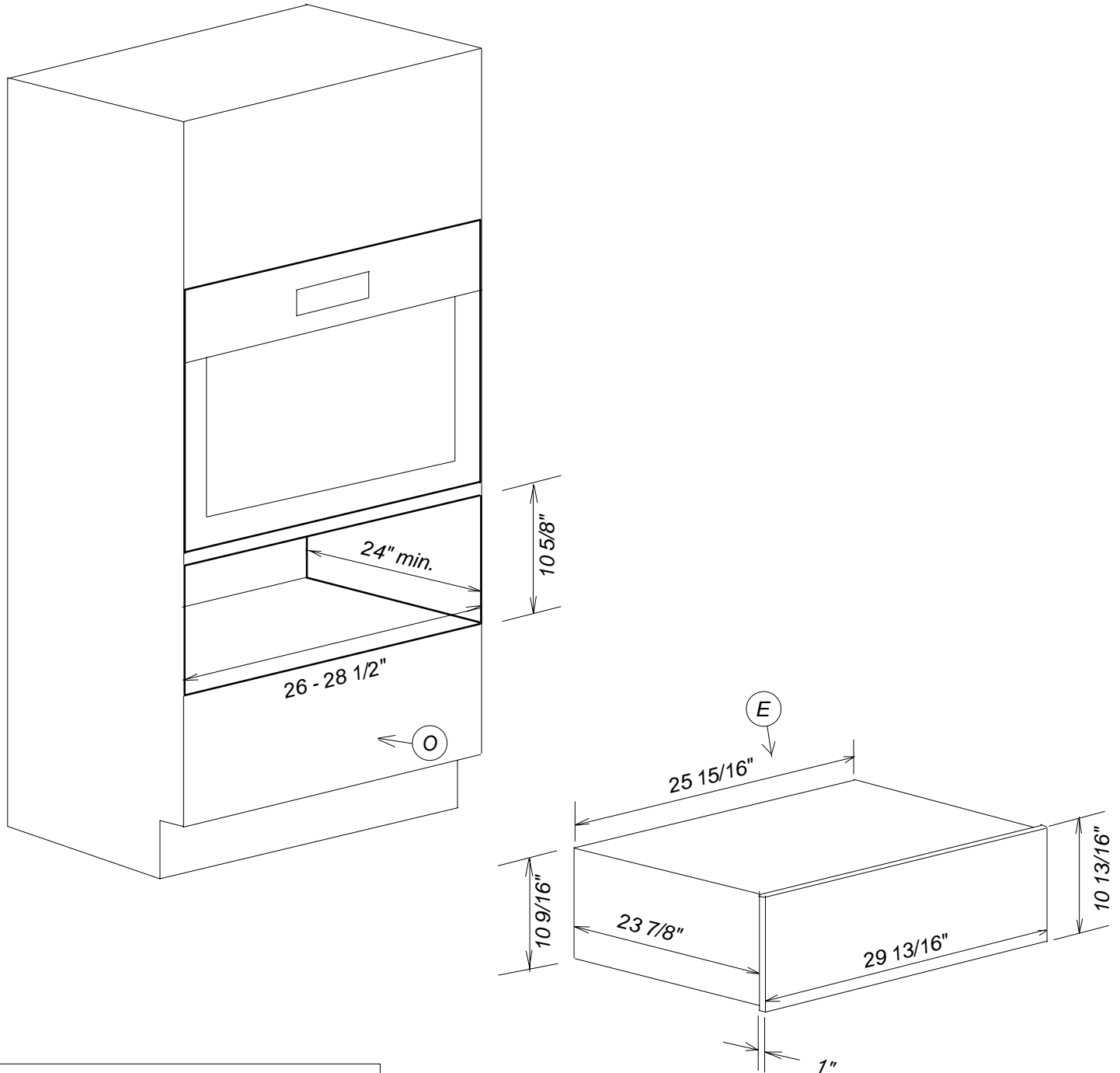


Product and Cutout Dimensions

30" Warming Drawers

ESW4802FB/ESW4812/ESW4822



Location Codes
E - 5 foot - 120 Volt - 15 Amp 3-wire molded plug connects left upper rear.
O - Standard NEMA 5-15 outlet. Location must be accessible.
Notes
• All installations must be done in accordance with local codes.

NOTE: Drawing is not to scale.
SPECIFICATION SHEETS 150209

Product Details

30" Warming Drawers

ESW4802FB/ESW4812/ESW4822

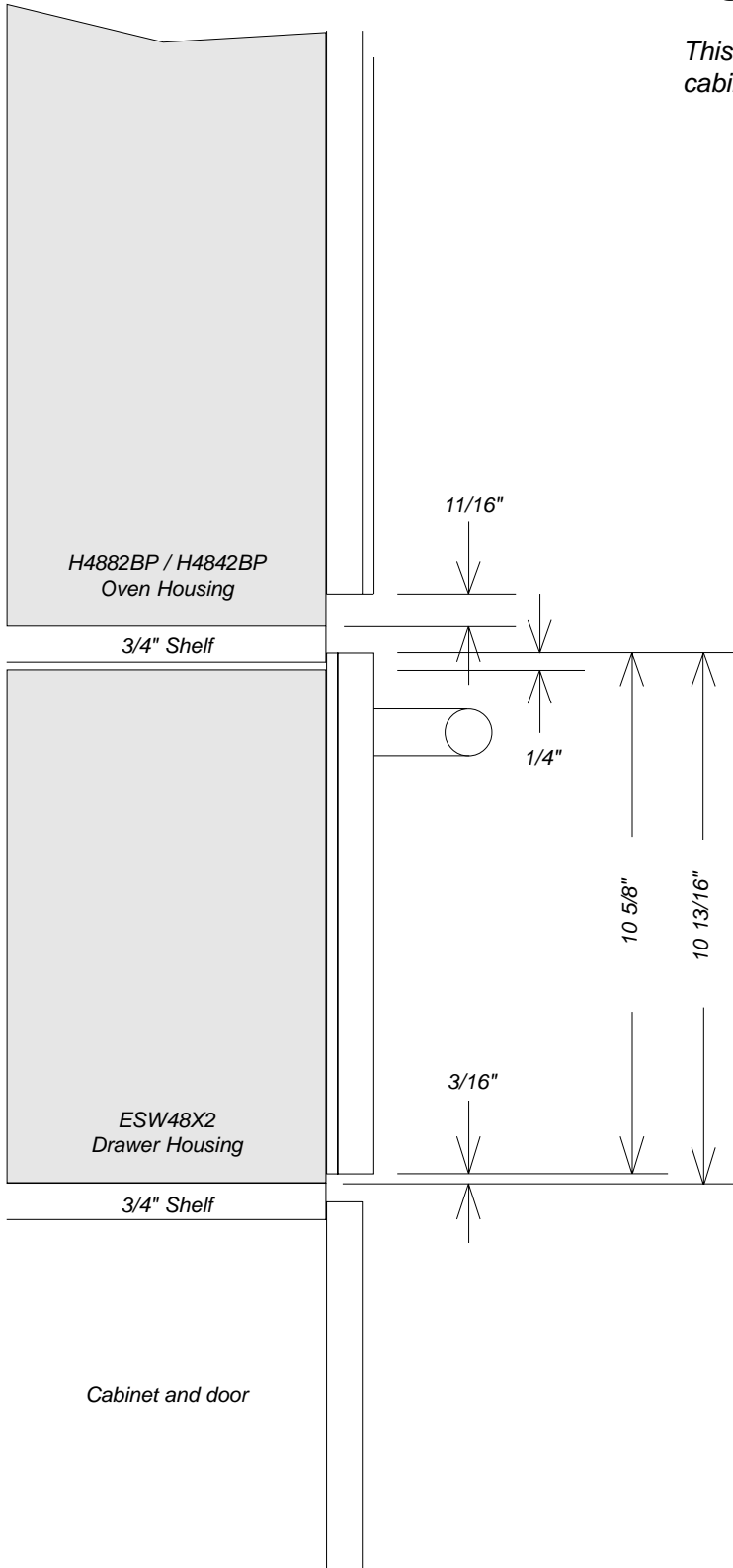


ESW4802FB Custom Panels

This unit is designed to accept a custom door panel supplied by the cabinet maker. Panel size is as follows:

Width: 29 13/16"
Height: 10 5/8"
Thickness: Minimum of 3/8"

Maximum panel weight: 11 Pounds



NOTE: Drawing is not to scale.
SPECIFICATION SHEETS 150209