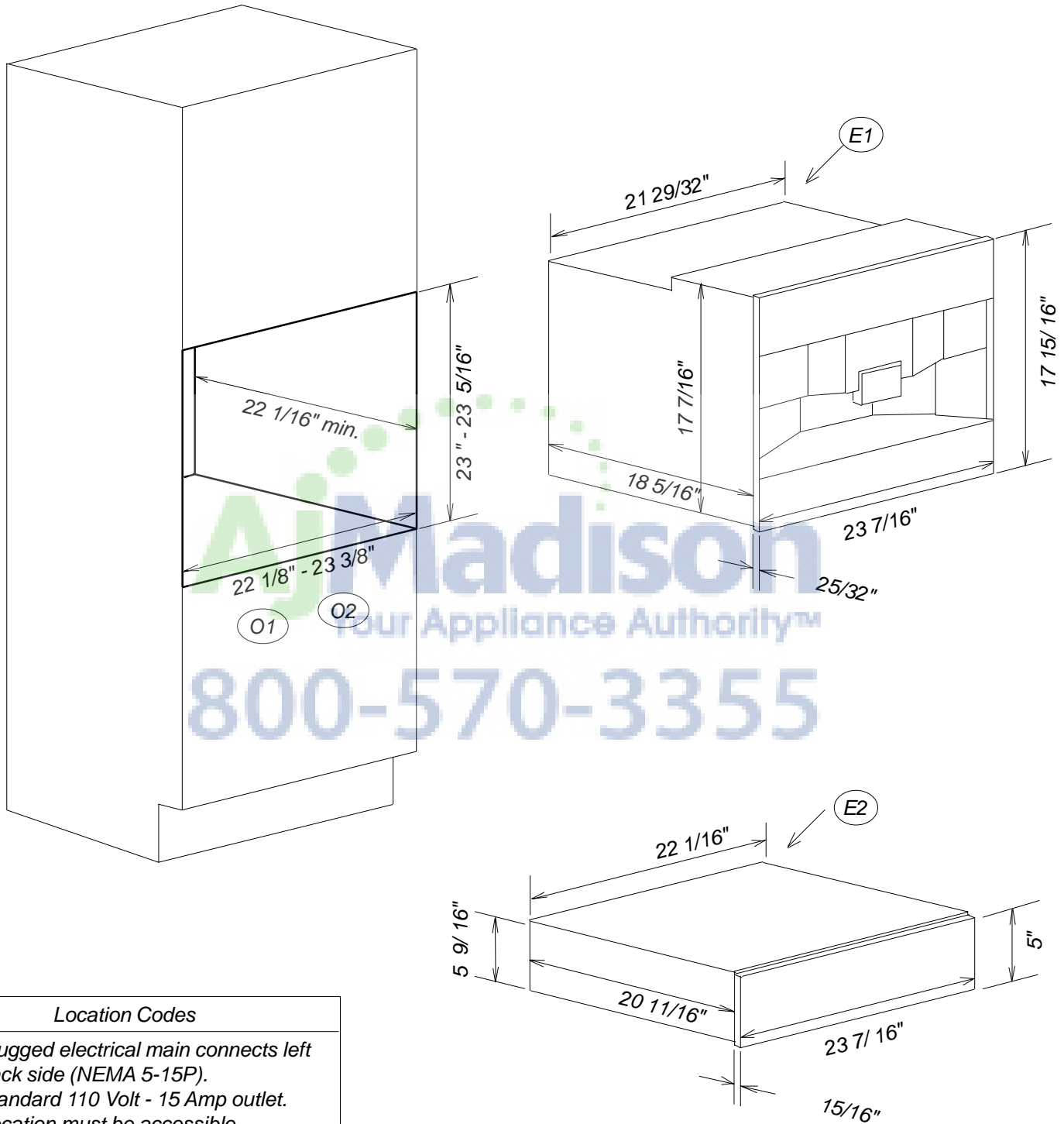


Product and Cut-out Dimensions Plate Warmer and Coffee System ESW 4082-14 & CVA406X



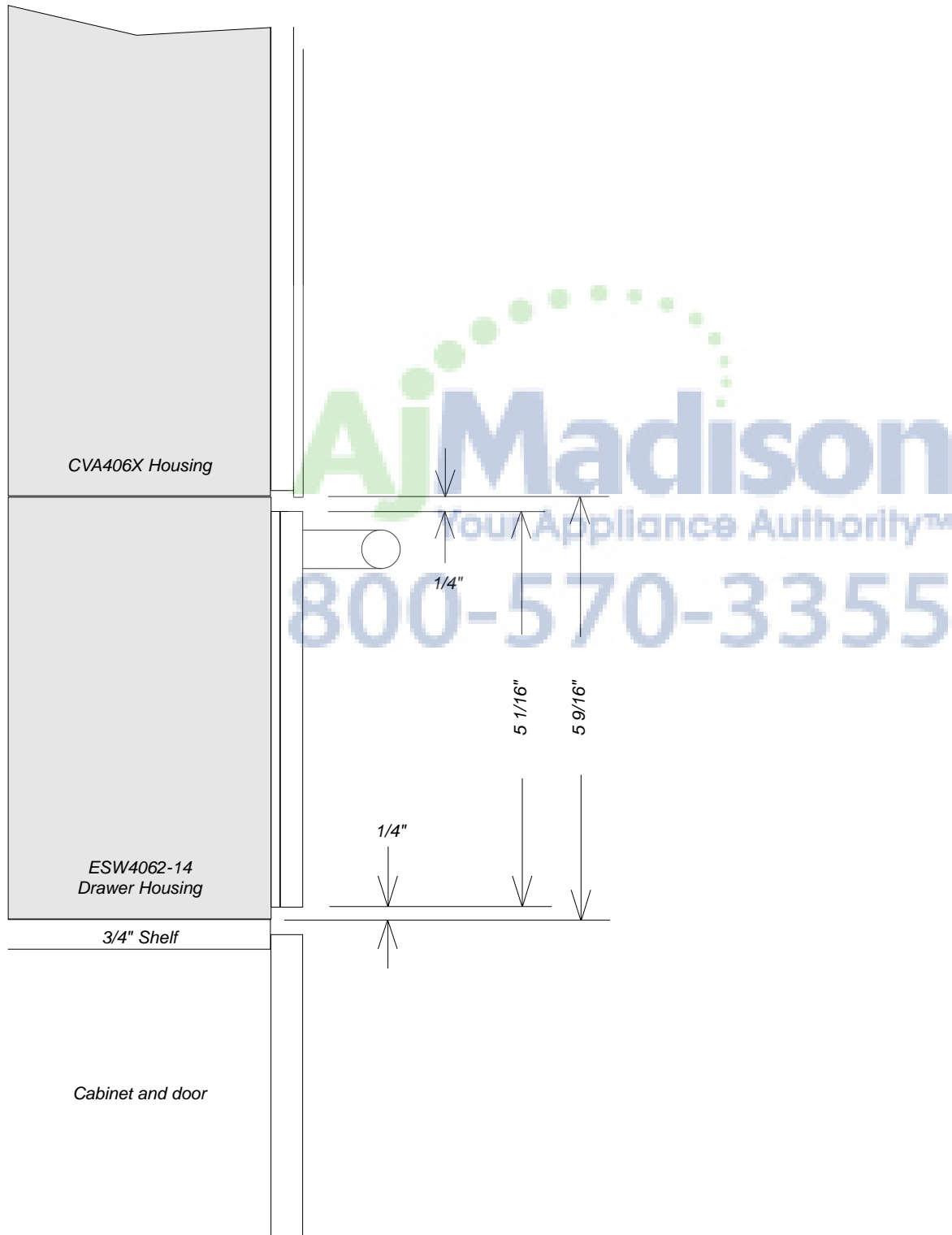
Location Codes
E1 - Plugged electrical main connects left back side (NEMA 5-15P).
O1 - Standard 110 Volt - 15 Amp outlet. Location must be accessible.
E2- Plugged electrical main connects left back side (NEMA 5-15P)
O2 - Standard 110 Volt - 15 Amp outlet. Location must be accessible.
Notes
<ul style="list-style-type: none"> All installations must be done in accordance with local codes.

NOTE: Drawing is not to scale.
SPECIFICATION SHEETS 150609

Product Dimension Details

Plate Warmer and Coffee System

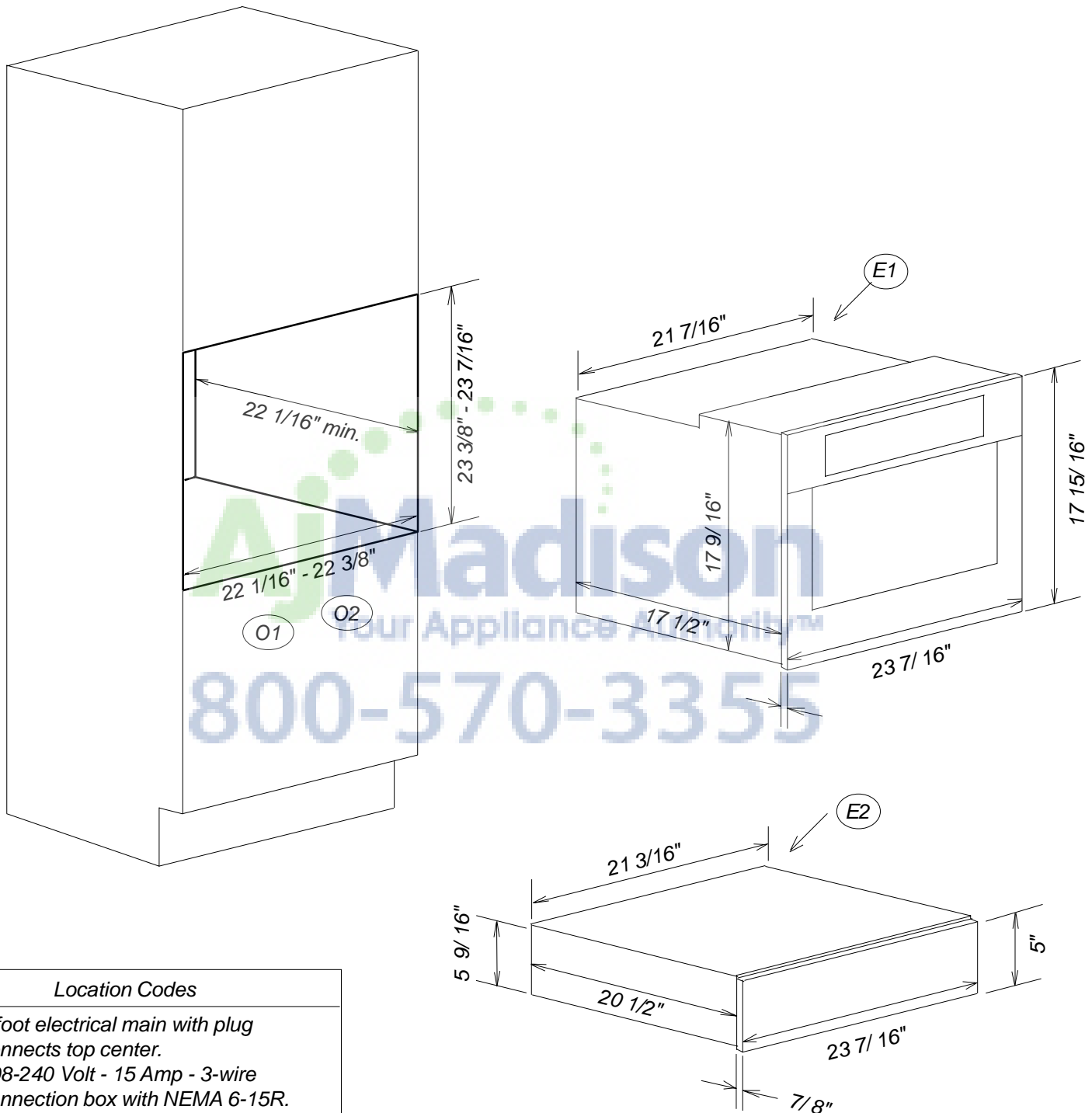
ESW 4082-14 & CVA406X



NOTE: Drawing is not to scale.
SPECIFICATION SHEETS 150609

Product and Cut-out Dimensions Plate Warmer and Steam Oven

ESW 4082-14 & DG40X2



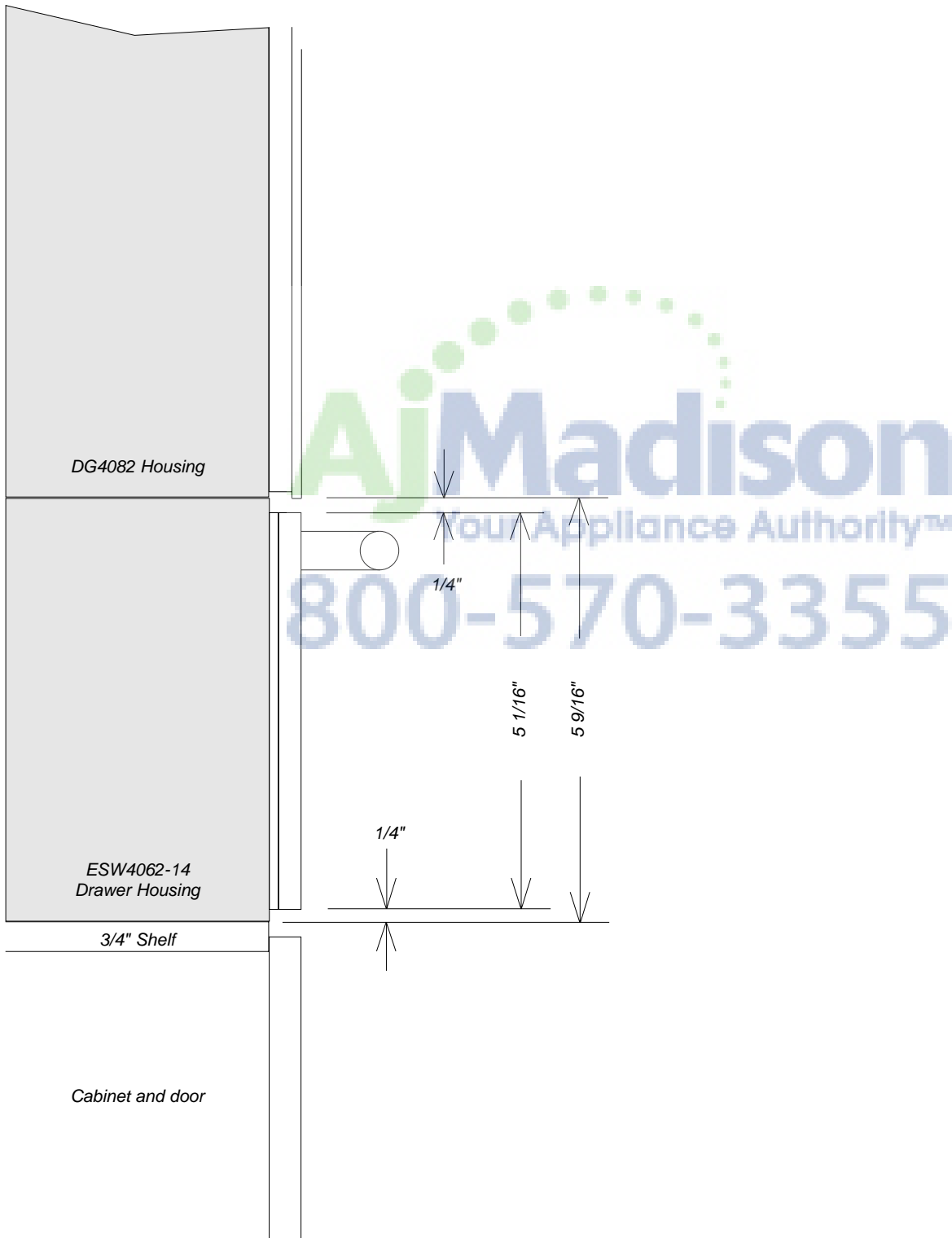
Location Codes
E1 - 5 foot electrical main with plug connects top center.
O1 - 208-240 Volt - 15 Amp - 3-wire connection box with NEMA 6-15R. Location must be accessible.
E2- 5 foot - 120 Volt - 15 Amp 3-wire molded plug connects left upper rear.
O2 - Standard NEMA 5-15R outlet. Location must be accessible.
Notes
<ul style="list-style-type: none"> All installations must be done in accordance with local codes.

NOTE: Drawing is not to scale.
SPECIFICATION SHEETS 150609

Product Dimension Details

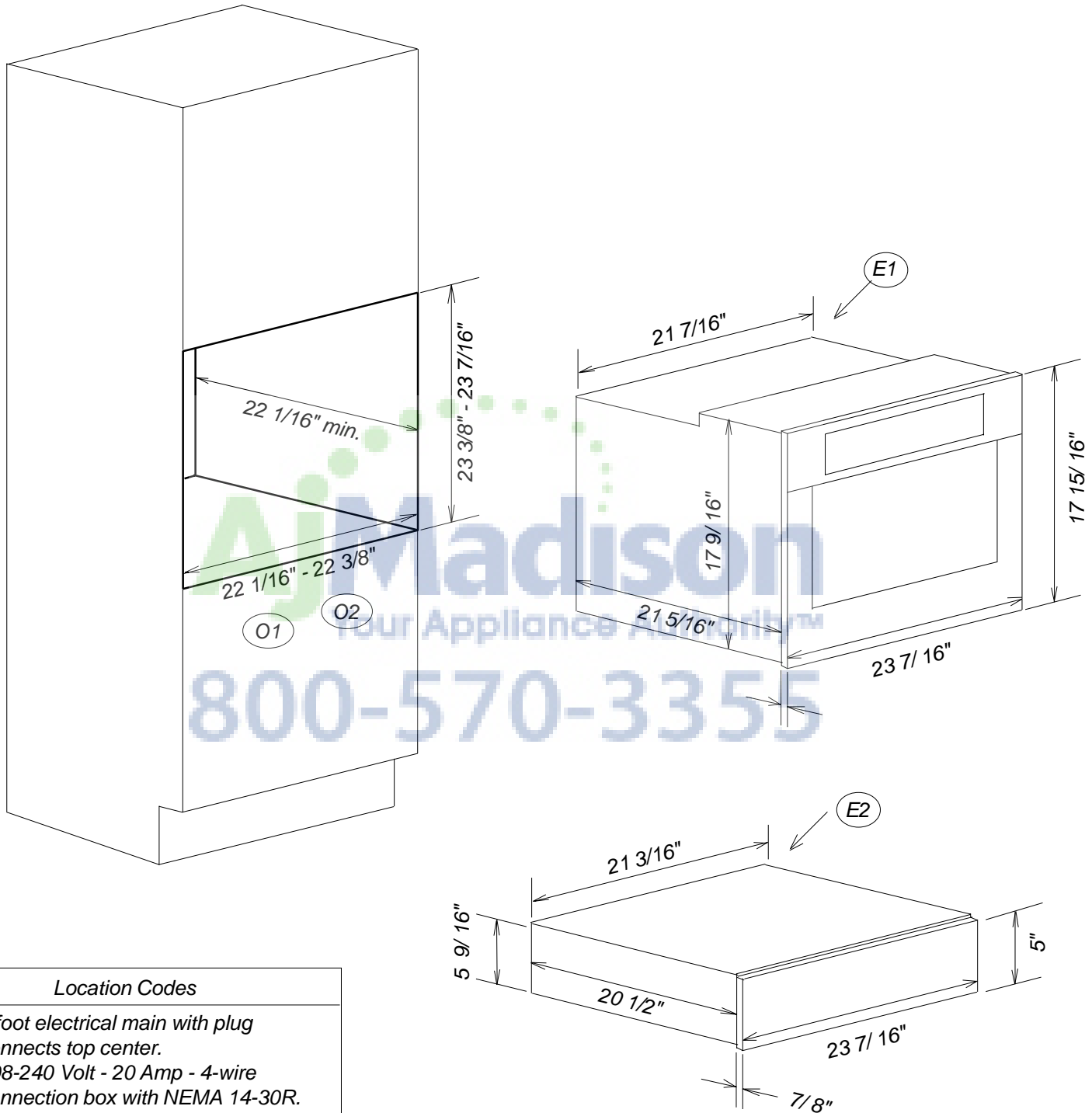
Plate Warmer and Steam Oven

ESW 4082-14 & DG4082



NOTE: Drawing is not to scale.
SPECIFICATION SHEETS 150609

Product and Cut-out Dimensions Plate Warmer and Speed Oven ESW 4082-14 & H40X2BM



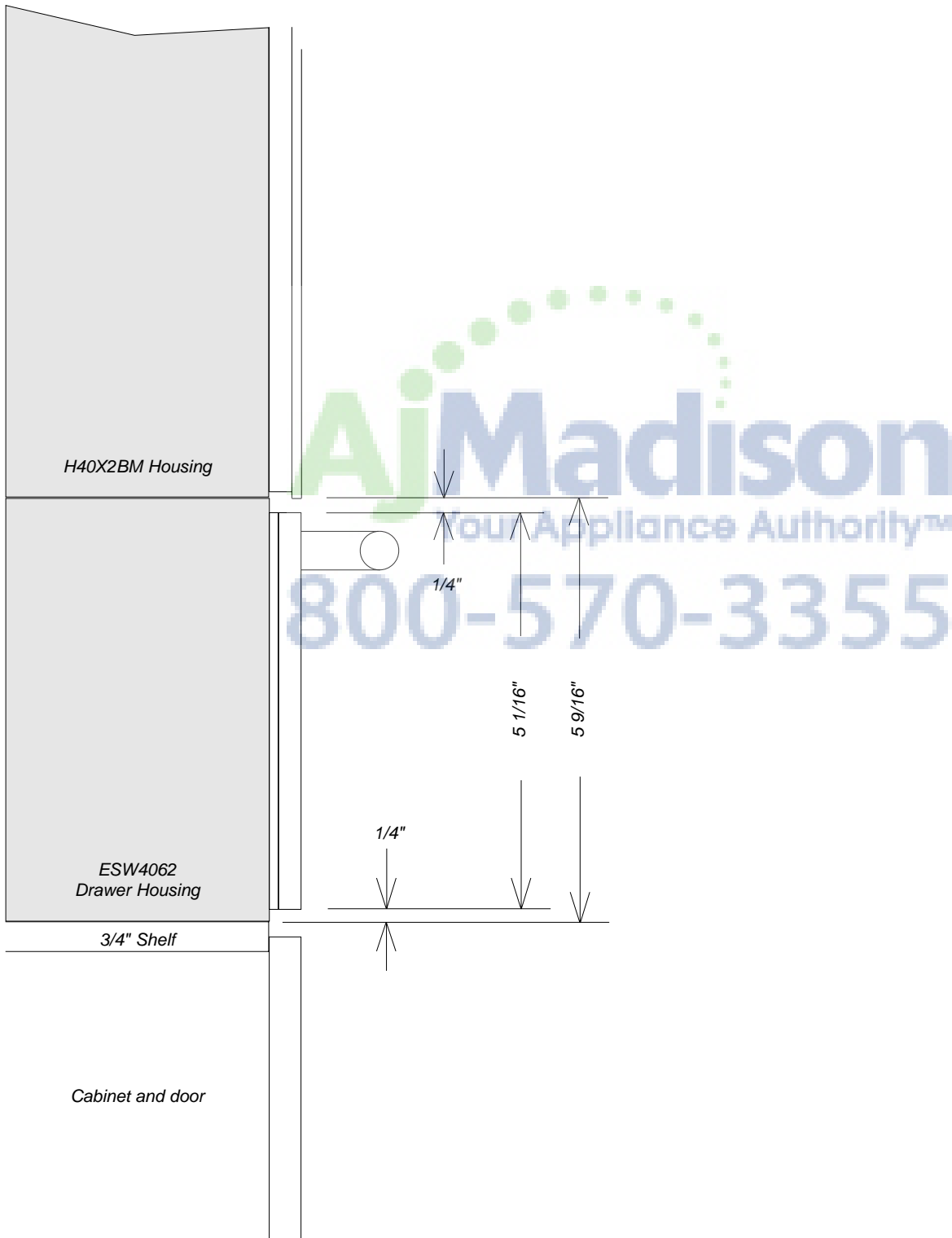
Location Codes
E1 - 5 foot electrical main with plug connects top center.
O1 - 208-240 Volt - 20 Amp - 4-wire connection box with NEMA 14-30R. Location must be accessible.
E2- 5 foot - 120 Volt - 15 Amp 3-wire molded plug connects left upper rear.
O2 - Standard NEMA 5-15 outlet. Location must be accessible.
Notes
<ul style="list-style-type: none"> All installations must be done in accordance with local codes.

NOTE: Drawing is not to scale.
SPECIFICATION SHEETS 150609

Product Dimension Details

Plate Warmer and Speed Oven

ESW 4082-14 & H40X2BM



NOTE: Drawing is not to scale.
SPECIFICATION SHEETS 150609