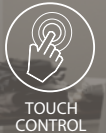


# TECHNE PLUS SERIES STONEY



WIRELESS  
CONNECTIVITY



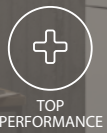
TOUCH  
CONTROL



PERIMETER  
ASPIRATION



LONG LIFE  
FILTER



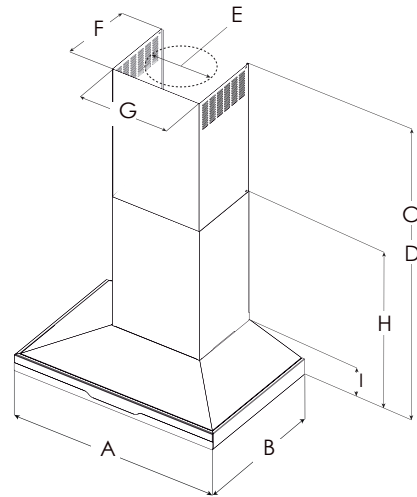
TOP  
PERFORMANCE



CRS  
CFM  
REDUCTION

ELICA'S EXCLUSIVE  
PLUS FEATURES

The pairing of glass and brilliant stainless steel, make it ideal for any kitchen. Perimeter Aspiration technology helps to achieve Top Performance by delivering more powerful and efficient fume extraction, plus it reduces noise. Available in 30" & 36" widths, Stoney includes a powerful 600 CFM blower, LED lighting with dimmable feature and glass capacitive touch controls. Stoney is meant for anyone who loves high- technological solutions, where Elica hoods and cooktops automatically communicate, recognizing quality and quantity of cooking vapors, thus accordingly adjusting performance levels.



	EST630SS	EST636SS
A	30" (76 cm)	36" (91.2 cm)
B	19 7/8" (50.5 cm)	
C*	Max: 42 1/4" (107.3 cm) Min: 28 1/64" (71.8 cm)	
D**	Max: 38 45/64" (98.3 cm) Min: 24 39/64" (62.5 cm)	
E	6" (15.2 cm)	
F	10 35/64" (26.8 cm)	
G	13 1/32" (33.1 cm)	
H	23 15/16" (60.8 cm)	
I	4 61/64" (12.6 cm)	



\* Ductless (Recirculating)

\*\* Ducted version

# TECHNE PLUS SERIES STONEY



## SPECIFICATIONS

Width:	30" Unit	36" Unit
Model:	EST630SS	EST636SS
Dimensions:	30" W x 19 7/8" D x Min: 24 39/64" Max: 42 1/4" H	36" W x 19 7/8" D x Min: 24 39/64" Max: 42 1/4" H
Blower Type(internal):**	600 CFM (3-speed + Boost)	
Noise (sones):**	6.8 Sones	
Finish:	Stainless Steel with black glass	
Controls:	Capactive Touch (Glass)	
Illumination:	2 LED Premium Dimmable Lights 2.5 W, 4000 K	
Grease Filter:	Dishwahr safe, Aluminum Mesh Filter + Perimeter Aspiration 3 for 30" & 4 for 36"	
Duct Transition:	Round 6" Top Discharge	
Installation Type:	Ducted or Recirculating (Kit Sold Separately)	
Telescopic Chimney:	Can reach ceiling heights of min 7'0", max 9'2" (ducted out) & min 7'5", max 9'6" (recirculating).	
Electrical:	120V - 60 Hz, 460 W	
KITS:		
Recirculating Kit	KIT0141925 (Contains 6" Deflector and 4 flat Carbon Filters and Clips)	
Long Chimney Extension:	KIT02785 (Can reach 8'8" - 12'4" (ducted), 9'0" - 12'8" (recirculating)) KIT01935 (Can reach 7'9" - 10'9" (ducted), 8'1" - 11'1" (recirculating))	
WARRANTY:***	Two (2) Years Parts & In-Home Labor. Earn an additional One (1) Year of Parts & In-Home Labor by registering on elica.com.	

## PLUS FEATURES



**WIRELESS CONNECTIVITY** - Wireless technology allows the transmission of real time information about cooking (active zones, pots, temperature), to your hood. Elica hoods with STREAM technology will process data and function totally automatically.



**PERIMETER ASPIRATION** - This technology draws air through a narrowed channel around a face plate, which increases suction, without increasing blower speed or energy consumption.



**TOUCH CONTROL** - Enjoy effortless cooking, and fully control each cooking zone with the tip of a single finger.



**TOP PERFORMANCE** - Excellent performance for models equipped with this plus. High fume capturing capacity with an average aspiration range of 600 CFM's. with low noise levels, 1.2 - 1.7 sones at working speed.



**LONG LIFE FILTER** - One of a kind odour filter, capable of regenerating itself and of lasting up to 3 years. To maintain these characteristics, the filter only requires simple maintenance: wash every 2 or 3 months with hot water and mild soap (also in dishwasher at 65 degrees) and dry in the oven for ten minutes at 100 degrees.



**CFM REDUCTION** - CFM Reduction System (CRS), is an exclusive feature to Elica hoods, which enables the user to reduce the maximum blower CFM, to meet local code requirements.

HVI Certified Ratings	High Speed	Working Speed	Duct Size
CFM	400	170	6" (Vertical)
Sones	7	1.5	6" (Vertical)

\* The product images shown are for illustration purposes only and may not be an exact representation of the product.

\*\* Blower performance indicates the performance of the blower by itself. Performance claims are not HVI certified but were established in accordance with HVI Standardized test procedure. For Certified Ratings, please refer to HVI Certified Product Directory. Electric Ratings are declared according to UL.

\*\*\* For valid warranty extension, register within 3 months from purchase. For USA & Canada Users Only.