

# ESG366, ESG486

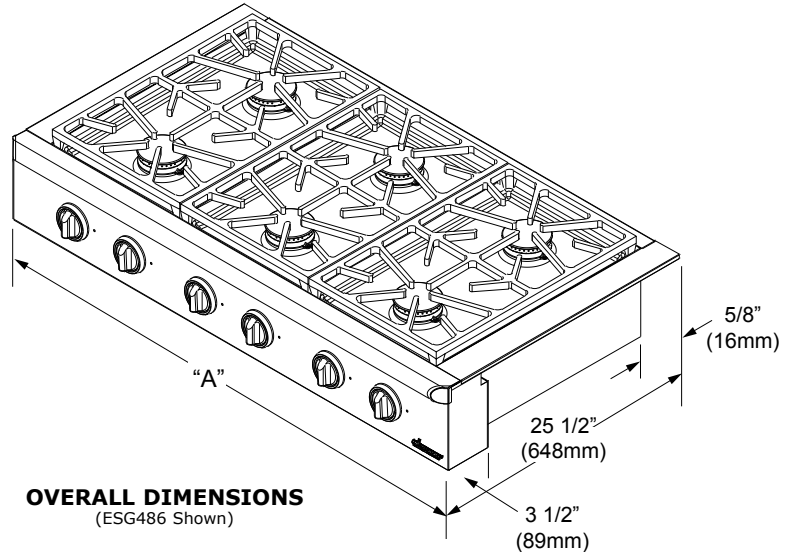


091605

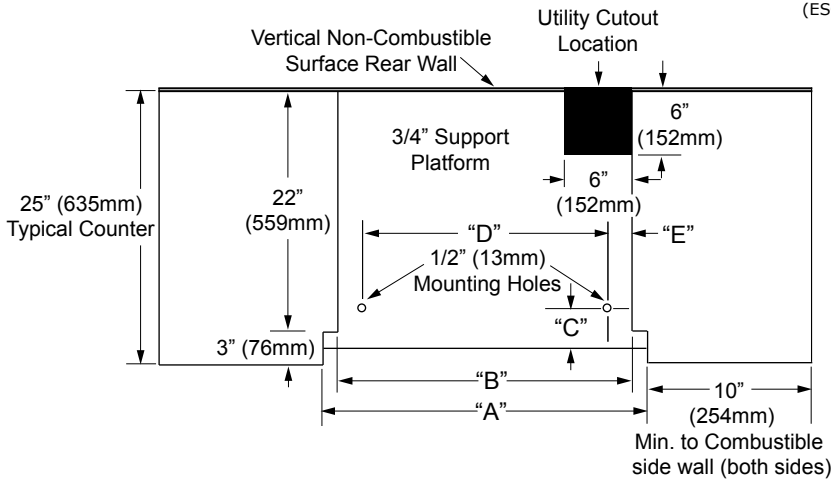
## 36", 48" Wide, Epicure™ Gas Cooktops

1/2

## PLANNING GUIDE

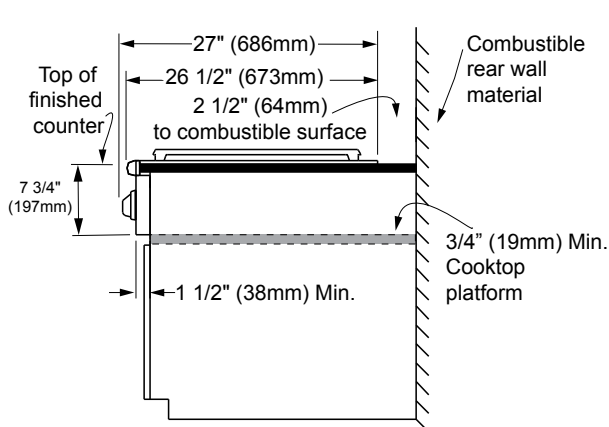


**OVERALL DIMENSIONS**  
(ESG486 Shown)

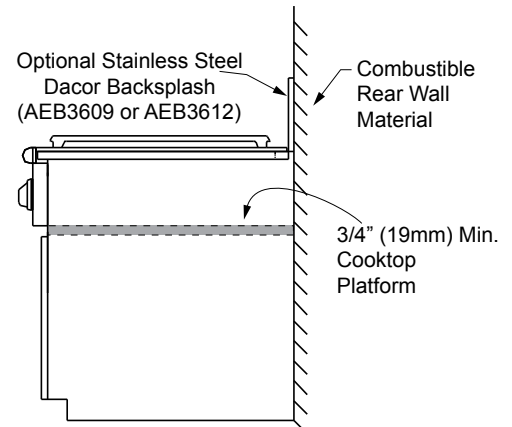


**CUTOUT DIMENSIONS**

Model No.	"A" Cooktop Width	"B" Cooktop Cutout Width	"C" Mounting Holes Set Back	"D" Distance Between Mounting Holes	"E" Distance from Countertop
ESG366	36" (914mm)	34 3/4" (883mm)	11 1/4" (286mm)	33 1/4" (845mm)	1 3/8" (35mm)
ESG486	48" (1219mm)	46" (1168mm)		41 5/16" (1049mm)	3 15/16" (100mm)



**SIDE VIEW**



**SIDE VIEW WITH BACKSPLASH**

# ESG366, ESG486

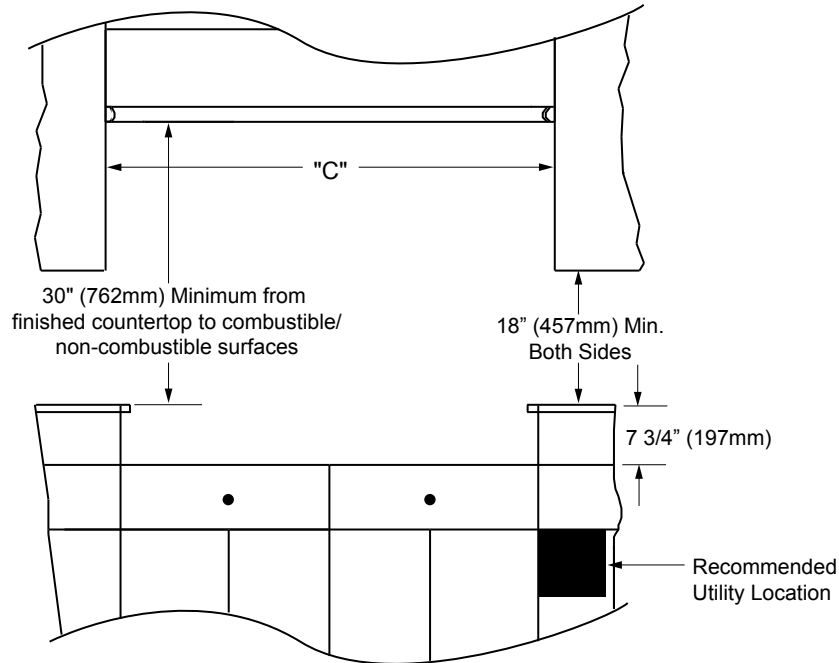


062805

## 36", 48" Wide, Epicure™ Gas Cooktops

2/2

## PLANNING GUIDE



**UPPER CABINET DIMENSIONS**  
(Upper Cabinets 13" (330mm) Maximum Depth)

Model No.	"C" Min. Hood Width	"C" Recommended Hood Width
ESG366	36" (914mm)	42" (1067mm)
ESG486	48" (1219mm)	54" (1372mm)

Model No.	Dedicated Circuit Required	Total Connected Load	Gas Supply Requirements	Approximate Shipping Weight
ESG366	120VAC, 60Hz, 15A (Breaker)	0.03kW (0.25A)	3/4" (19mm) Regulator - Natural Gas Standard	128 lbs.
ESG486				149 lbs.



### NOTES:

1. Factory installed liquid propane (LP) special ordered.
2. Cooktop is supplied with a 48" (1219mm) power cord, with a three prong grounded plug.
3. Utilities are located in the right rear corner of the cooktop.
4. Utilities may be located in the right rear corner of the cabinet below the cooktop. (Recommended)
5. See the Combination Installation (CI) Section if installing with a downdraft, or warming oven.