

Wall Range Hood, 36"

Series 5 | professional

Stainless Steel

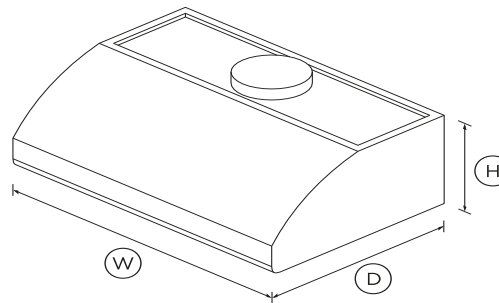


Striking design that pairs well with any appliances in our Professional range. Fast, efficient extraction of steam and odors.

- With four fan speeds, select the perfect extraction rate for your cooking
- With dishwasher-safe stainless steel baffle filters
- Powerful 600CFM maximum airflow

DIMENSIONS

| | |
|--------|----------------------------------|
| Height | 12 " |
| Width | 35 ⁷ / ₈ " |
| Depth | 23 " |



FEATURES & BENEFITS

Design quality

The high quality finish, premium grade stainless steel and robust product design combine to deliver an efficient wall hood. This vent hood can also be installed within cabinetry.

SPECIFICATIONS

Fan ratings

| | |
|-------------------------|--------|
| Maximum blower air flow | 600CFM |
| Maximum sound rating | 71dBA |

Performance

| | |
|-----------------|--------------------------------|
| Extraction type | Surface |
| Fan speeds | 4 |
| Filter type | Dishwasher Safe Slim Stainless |

Power requirements

| | |
|----------------|------|
| Supply voltage | 120V |
|----------------|------|

Product dimensions

| | |
|--------|----------------------------------|
| Depth | 23 " |
| Height | 12 " |
| Width | 35 ⁷ / ₈ " |

Product information

| | |
|--------------|---------------|
| Control type | Rotary Switch |
|--------------|---------------|

Ventilation features

| | |
|------------|--------------------------|
| Light type | 2 level 50-watts halogen |
|------------|--------------------------|

Warranty

| | |
|-----------------|------------------------------|
| Parts and labor | Limited 2 Year Parts & Labor |
|-----------------|------------------------------|

| | |
|-----|-------|
| SKU | 50146 |
|-----|-------|

The product dimensions and specifications in this page apply to the specific product

and model. Under our policy of continuous improvement, these dimensions and specifications may change at any time. You should therefore check with Fisher & Paykel's Customer Care Centre to ensure this page correctly describes the model currently available. © Fisher & Paykel Appliances Ltd 2019.

Other product downloads available at fisherpaykel.com



User Guide



Installation Guide



A PEACE OF MIND SALE

24 Hours 7 Days a Week Customer Support

T 1300 650 590 **W** www.fisherpaykel.com