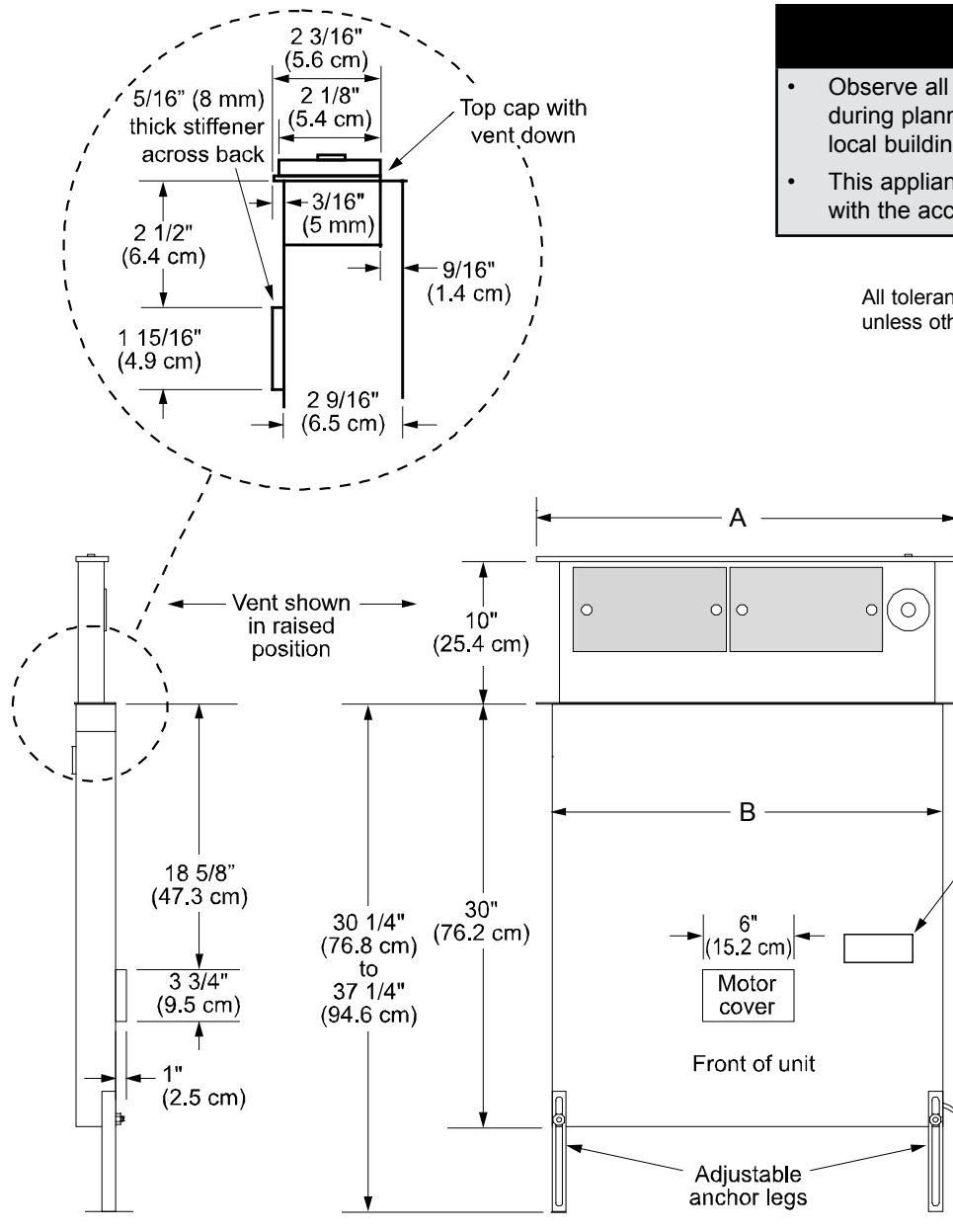


ERV30, ERV36, ERV48, PRV30, PRV36, PRV46



Renaissance® 30", 36", 46" and 48" Wide Slim Raised Vents

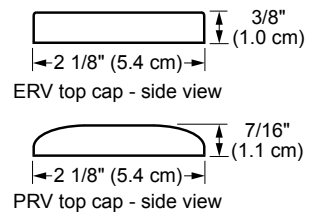
PLANNING GUIDE



WARNING

- Observe all governing codes and ordinances during planning and installation. Contact your local building department for further information.
- This appliance must be installed in accordance with the accompanying installation instructions.

All tolerances: $\pm 1/16"$ (± 1.6 mm) unless otherwise stated



DIMENSIONS SIDE VIEW

DIMENSIONS FRONT VIEW



Model No.	A	B	Circuit Requirement**
ERV/PRV30	30" (76.2 cm)	27 3/8" (69.5 cm)	Three prong electrical outlet connected to 120 Vac, 60 Hz, 15 Amp. grounded, dedicated, circuit
ERV/PRV36	36" (91.4 cm)	33 3/8" (84.8 cm)	
PRV46	46" (116.8 cm)	43 3/8" (110.2 cm)	
ERV48	48" (121.9 cm)	43 3/8" (110.2 cm)	

** Includes power supply requirements for external blower



NOTES:

1. The maximum installed height must not exceed the maximum specified countertop height of cooking appliances.
2. Install these raised vents only with approved Dacor appliances. See the planning guide for the particular appliance for proper applications and cutout information.
3. This appliance must be install in conjunction with a single Dacor approved remote or in-line blower. See following pages for approved blowers.

ERV30, ERV36, ERV48, PRV30, PRV36, PRV46



Renaissance 30", 36", 46" and 48" Wide Slim Raised Vents

PLANNING GUIDE

Duct Work Design Tips

- Wherever possible, reduce the number of transitions and turns to as few sharp angles as possible. Two staggered 45° angles are better than one 90°. Keep turns as far away from the hood exhaust as possible, with as much space between each bend as possible.
- For best performance, use round duct instead of rectangular when possible, especially when elbows are required.
- If multiple elbows are used, try to keep a minimum of 24" of straight duct between them. Avoid "S" or "back to back" configurations of adjacent elbows.
- Do not use flexible metal duct.

Calculating the Maximum Duct Run Length

- Do not use duct work that is smaller in cross-sectional area than the required duct sizes in the table to the right.
- For best performance, keep the duct run as short as possible and never exceed the maximums stated at the right.
- The maximum straight duct length for the raised vent system depends on the model of remote or in-line blower used with the vent system and the number of elbows and transitions used. The **Equivalent Number of Feet** for each elbow and transition (see table) must be subtracted from the maximum straight length to compensate for wind resistance. To determine the maximum allowable length of the duct work, subtract all of the equivalent lengths of the elbows and transitions from the **Blower Maximum Duct Straight Length**.

Raised Vent Model No.	Approved Dacor Blowers*
ERV/PRV30	Remote blowers: REMP3 or REMP16 In-line blowers: ILHSF8 or ILHSF10
ERV/PRV36	
PRV46	
ERV48	

*For detailed information on the remote/in-line blowers, refer to the blower installation instructions.

For example, for a raised vent system using 3 1/4" X 10" rectangular duct, two (2) 3 1/4" X 10" 90° elbows, a 3 1/4" X 10" rectangular to 10" round transition, and a REMP16 remote blower:

- From the **Blower Maximum Duct Straight Length** table, the maximum length without transitions and elbows is 60 feet.
- The equivalent length of each 90° elbow is 15 feet.
- The equivalent length of 45° elbow is 2 feet.
- The equivalent length of the transition is 4 feet.
- The total equivalent length of the above components is: 15 feet + 15 feet + 4 feet + 2 feet = 36 feet.
- The maximum amount of straight duct that can be used with a REMP16 and the above components is: 60 feet - 34 feet = 24 feet.

Equivalent Number of Feet - Duct Elbows and Transitions			
45° elbow 8 Inch	3 feet	3 1/4" X 10 45° elbow	7 feet
45° elbow 10 Inch	2 feet	3 1/4" X 10 90° elbow	15 feet
90° elbow 8 Inch	7 feet	3 1/4" X 10 90° flat elbow	20 feet
90° elbow 10 Inch"	5 feet	3 1/4" X 10 to 8" round transition	4 feet
90° 3 1/4" X 10 to 8" round transition	25 feet	3 1/4" X 10 to 10" round transition	4 feet
Roof cap	*	Wall cap	*

* The equivalent lengths of roof and wall caps vary with model and configuration. For equivalent length, contact the manufacturer or a qualified HVAC specialist.

Duct Size Used	Blower Maximum Duct Straight Length			
	REMP3 Remote Blower	REMP16 Remote Blower	ILHSF8 In-line Blower	ILHSF10 In-line Blower
8 Inch	50 feet (15.2 meters)	60 feet (18.3 meters)	50 feet (15.2 meters)	60 feet (18.3 meters)
10 Inch	40 feet (12.2 meters)	70 feet (21.3 meters)	40 feet (12.2 meters)	70 feet (21.3 meters)
3 1/4" X 10"	40 feet (12.2 meters)	60 feet (18.3 meters)	40 feet (12.2 meters)	60 feet (18.3 meters)

ERV30, ERV36, ERV48, PRV30, PRV36, PRV46

Document # PG08-001

Revised 06/28/12 Page 3/3

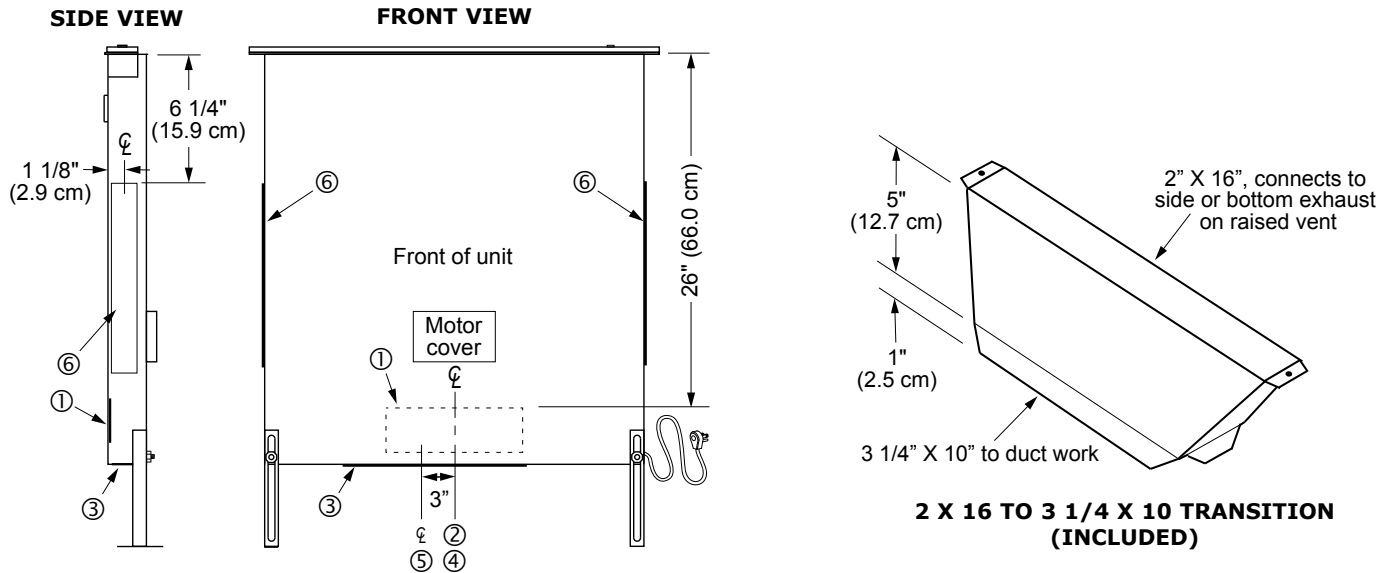


Renaissance 30", 36", 46" and 48" Wide Slim Raised Vents

PLANNING GUIDE

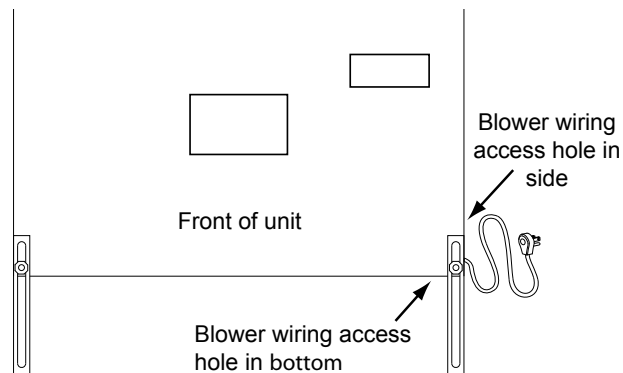
All tolerances: $\pm 1/16"$ (± 1.6 mm) unless otherwise stated

EXHAUST OUTLET LOCATION OPTIONS



- ① Rear Exhaust Knock Out (3 1/4" X 10")
- ② Vertical center line of rear exhaust knock out lines up with vertical center line of chassis
- ③ Bottom Exhaust Knock Out (1 5/8" X 16")
- ④ On 46" and 48" wide models, the vertical center line of bottom knock out lines up with vertical center line of chassis
- ⑤ On 30" and 36" wide models, the vertical center line of bottom knock out is offset 3"
- ⑥ Side Exhaust Knock Outs (1 5/8" X 16")

NOTE: See the appliance planning guide page for cutout dimensions



WIRING/CONDUIT CONNECTIONS FOR REMOTE/IN-LINE BLOWER