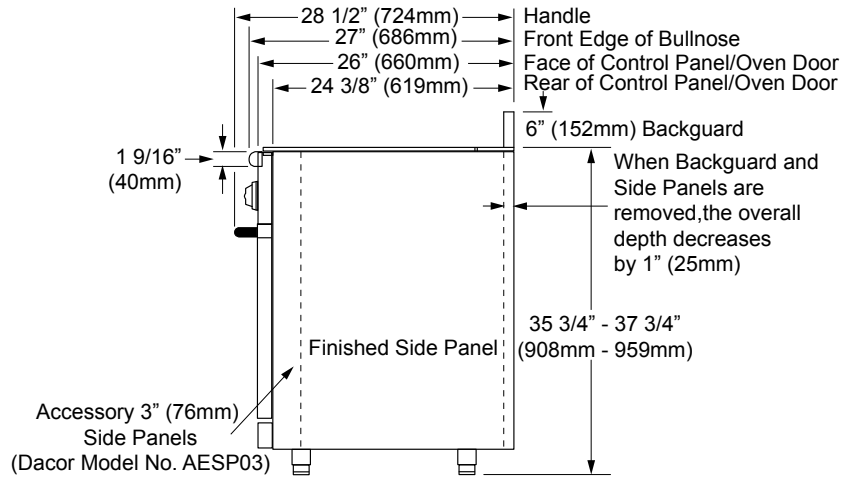
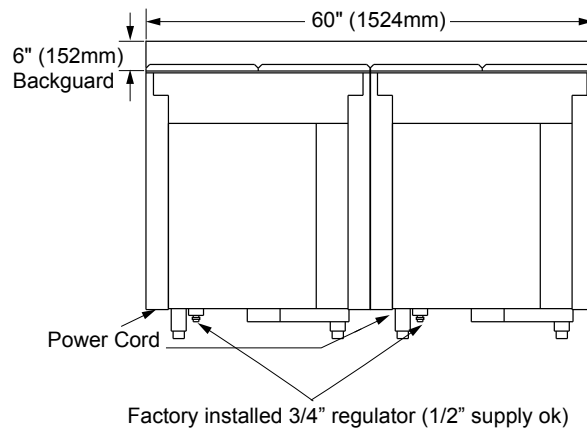


ERD60

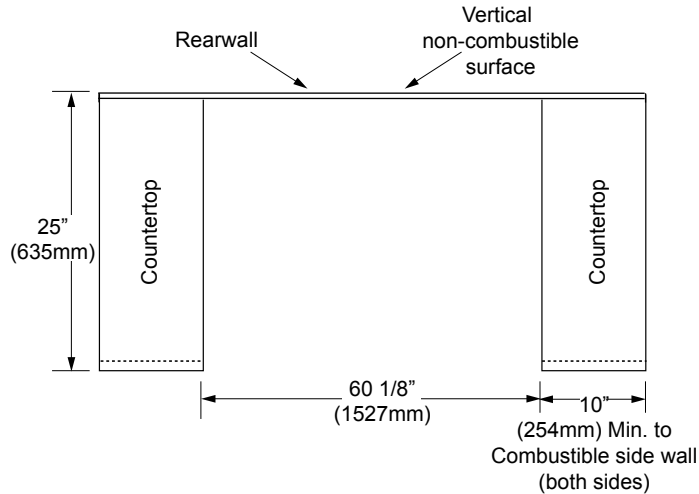


SIDE VIEW

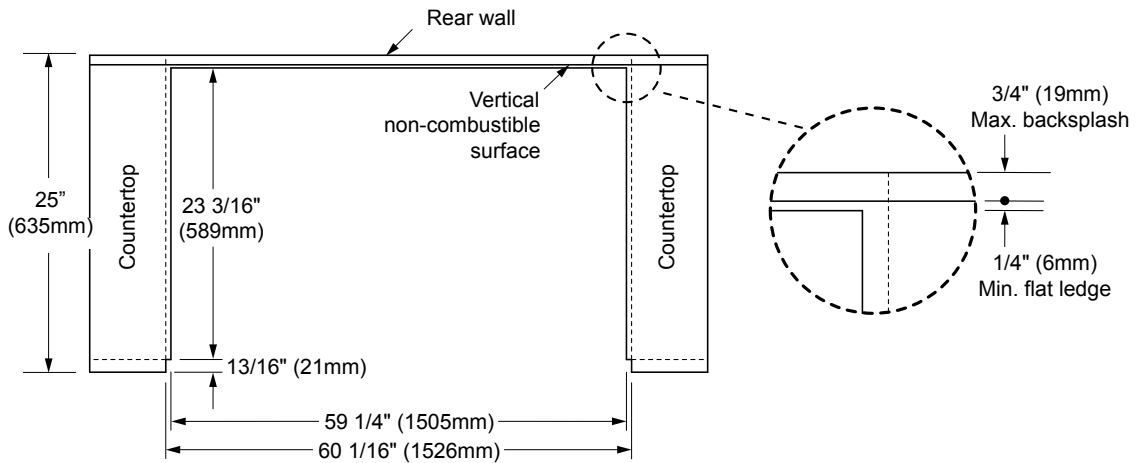


REAR VIEW

ERD60



COUNTERTOP CABINET DIMENSIONS
(Slide-In, Freestanding Installation)



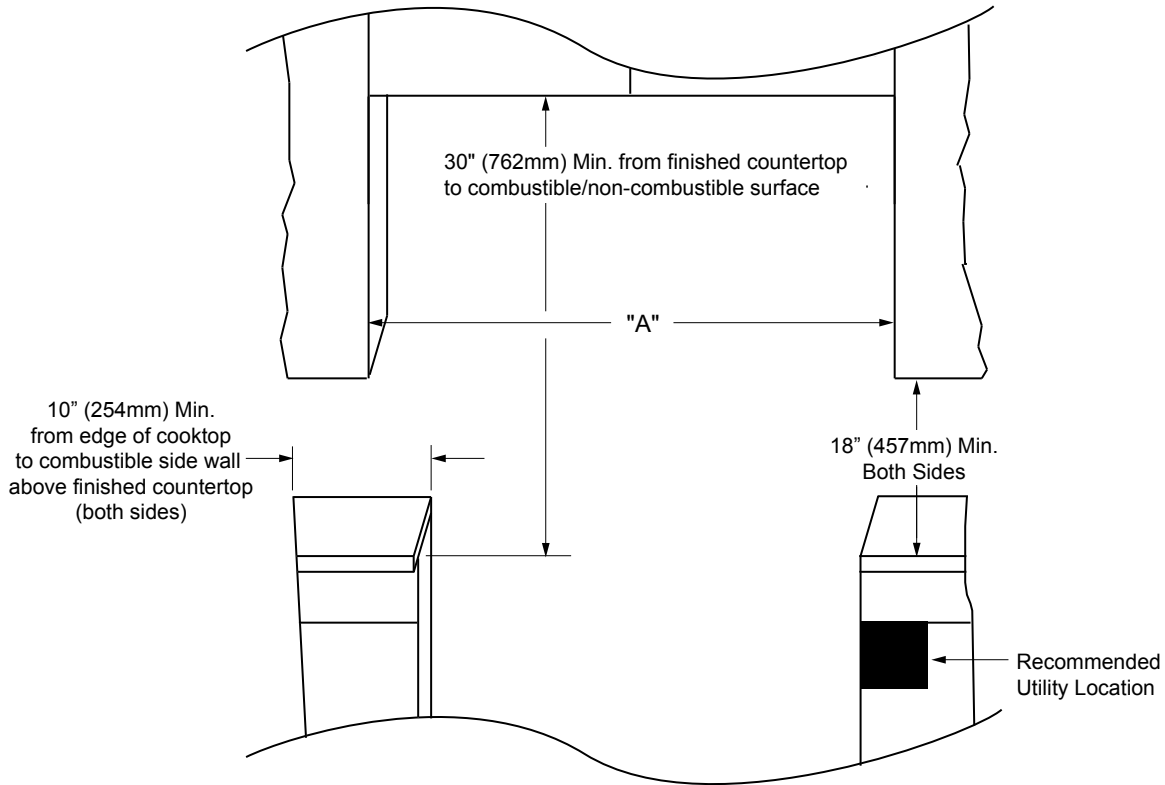
CUTOUT DIMENSIONS
(Slide-In, Self-Rimming Installation with Side Panels and Backguard Removed.)



NOTE:

1. When backguard is removed, the side panels must be removed.

ERD60



UPPER CABINET DIMENSIONS
(Upper Cabinets 13" (330mm) Maximum Depth)

Model No.	"A" Minimum Hood Width	"A" Recommended Hood Width
ERD60	60" (1524mm)	66" (1676mm)

Model No.	Dedicated Circuit Required	Total Connected Load	Approximate Shipping Weight
ERD60	240VAC, 4-wire, 60Hz, 20A (Breaker)	4.1kW (17A)	730 lbs.

(Two Dedicated Circuits Required)



NOTES:

1. Utilities may be located in the lower left corner of the adjacent right cabinet. (Recommended)
2. Contact your local building department to verify compliance with local code interpretation.
3. Two electrical circuits and gas supplies required.