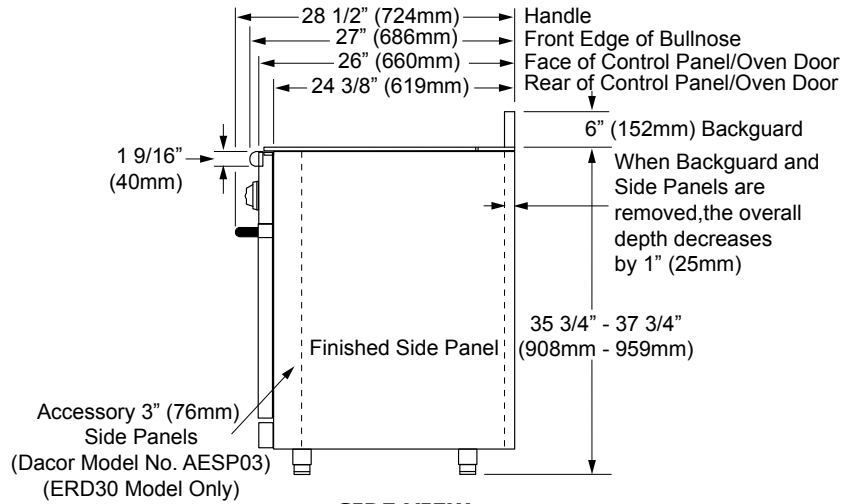
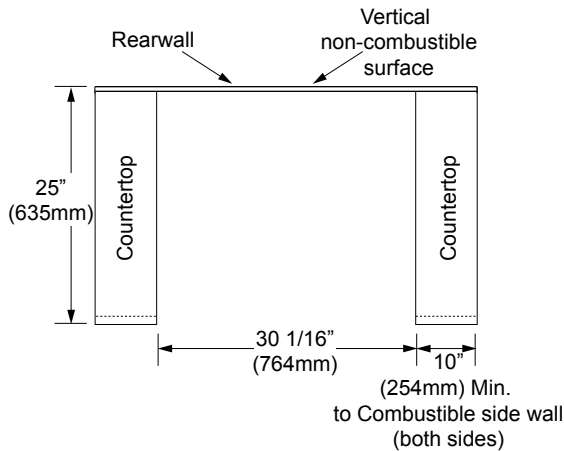


# ERD30



**SIDE VIEW**

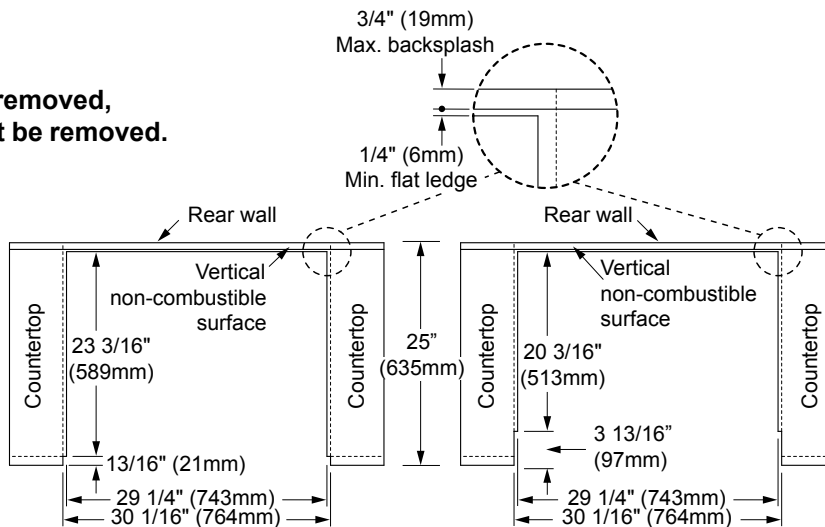


**TOP VIEW  
COUNTERTOP CABINET DIMENSIONS**

(Slide-In, Freestanding Installation)

**NOTE:**

1. When backguard is removed, the side panels must be removed.

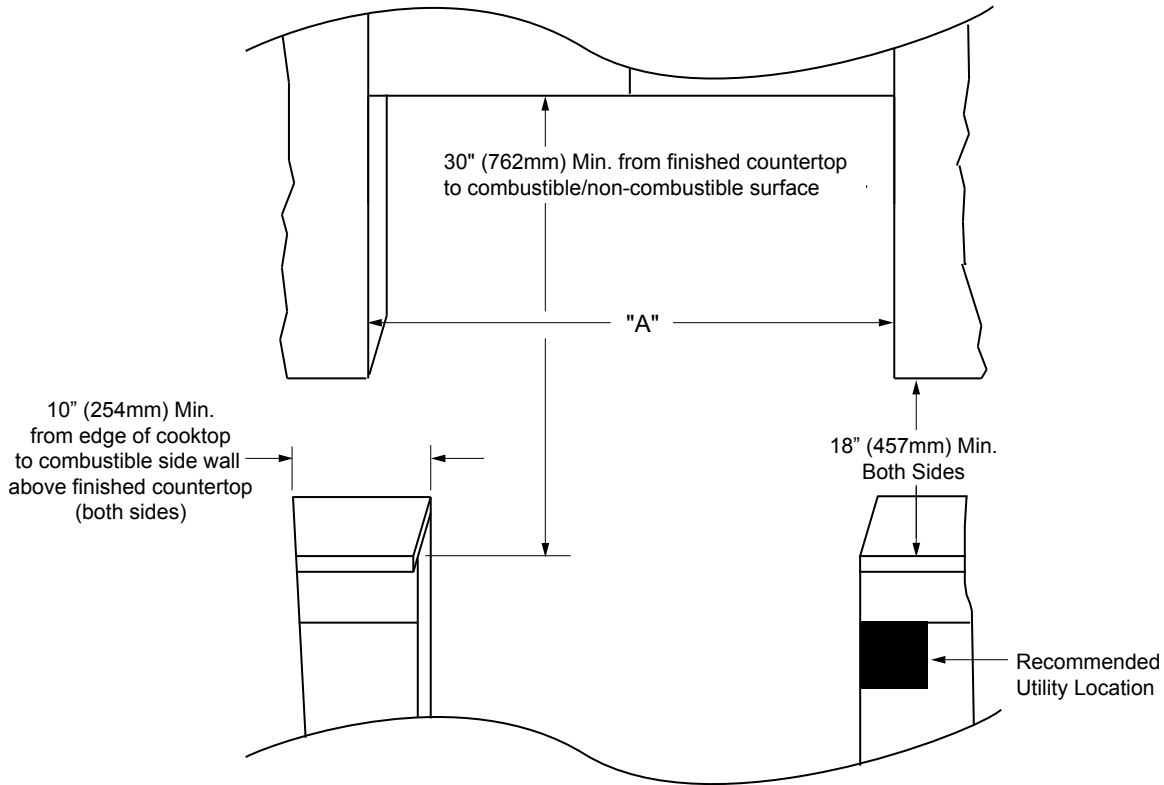


**TOP VIEW  
CUTOUT DIMENSIONS**

(Slide-In, Self-Rimming Installation with Side Panels and Backguard Removed)

(Slide-In, Self-Rimming Installation using accessory 3" Side Panels, Backguard Removed) (ERD30 Only)

# ERD30



**UPPER CABINET DIMENSIONS**  
(Upper Cabinets 13" (330mm) Maximum Depth)

Model No.	"A" Minimum Hood Width	"A" Recommended Hood Width
ERD30	30" (762mm)	36" (914mm)
ERD30LP		

Model No.	Dedicated Circuit Required	Total Connected Load	Gas Type	Approximate Shipping Weight
ERD30	240VAC, 4-wire, 60Hz, 30A (Breaker)	4.1kW (17A)	Natural	370 lbs.
ERD30LP			Liquid Propane	

 **NOTES:**

1. Utilities may be located in the lower left corner of the adjacent right cabinet. (Recommended)
2. Contact your local building department to verify compliance with local code interpretation.
3. Dacor rear top trim (part# 26793; shipped with unit) must be used if backguard and side panels are removed.
4. Dacor 3" wide side panels (left and right side: part# AESP03; available as an accessory) (ERD30 Model Only).
5. ERD30 Range can be installed with slim (ERV/PRV) downdraft ventilation.
6. See the Combination Installation (CI) Section if installing with a downdraft.
7. Toe skirt sold separately (part# AETS30).