

36" Ceramic Gas Cooktop

### Features & Benefits

- 19,100 BTU High Power Wok Burner
- Easy-to-Clean Gas on Glass Ceramic Cooktop Design
- Simmer Burner
- Thermocouple Gas Sensing Burner System
- Electronic Ignition
- Approved for use with select Siemens undercounter wall ovens

### SKU ER947501UC

Dimensions	36"
Color Options	Ceramic Glass
Deep Recessed Spill Area	•
Continuous Grate Design	•
Optimal Burner Spacing	•
xForce™ Burner Design	•
Front Center Controls	•
Low Profile European Design	•
Ergonomically Designed Dials	•
BTU/hr – Right Front Burner	6,500 BTU
BTU/hr – Right Rear Burner	9,500 BTU
BTU/hr – Left Front Burner	19,100 BTU
BTU/hr – Center Front Burner	6,500 BTU
BTU/hr – Center Rear Burner	3,750 BTU
Sealed Burner	•
LP Conversion Kit*	
Energy Source	Natural Gas
Liquid Propane (LP) Convertible	•
Amps	
Approximate Shipping Weight (lbs.)	
120V, 3-wire Power Cord	

\* LP Conversion Kit is an optional accessory and must be purchased separately.

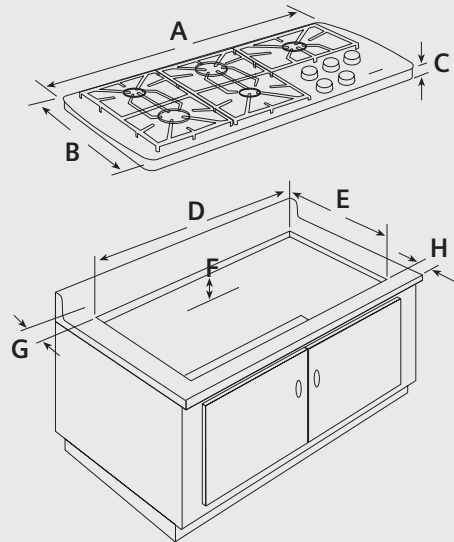
### Installation

#### 36" Gas Cooktop Overall Dimensions (\* may change)

A	36"
B	20-3/8"
C	1-3/4"
D	33-1/2"

#### Cutout Dimensions (\* may change)

E	19-3/8"
F	1-3/4"
G	2-13/16"
H	1-1/2"



# Siemens 36" Ceramic "Gas on Glass" Cooktop

The future moving in.



UL BSH reserves the absolute and unrestricted right to change product materials and specifications, at any time, without notice. Consult the product's installation instructions for final dimensional data and other details. Applicable product warranty can be found in accompanying product literature or you may contact your account manager for further details. Notes: All height, width and depth dimensions are shown in inches. Please refer to installation instructions prior to making cutout.

1-888-4-SIEMENS • In the US: [siemens-home.com](http://siemens-home.com) • In Canada: [siemens-home.ca](http://siemens-home.ca)

Copyright ©2007 BSH Home Appliances Corporation. All rights reserved. Specifications subject to change without notice.

61-021-0207  
Litho Date: 05/07