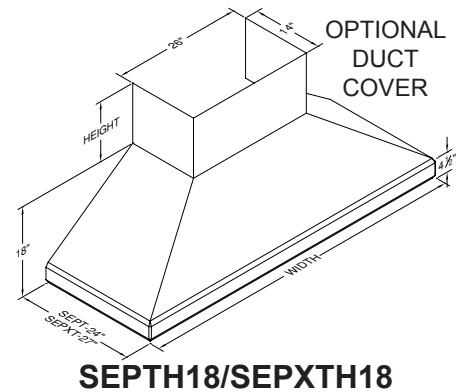
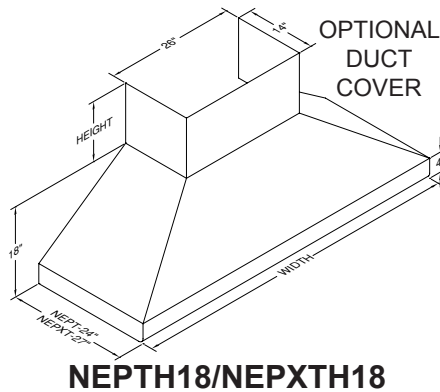
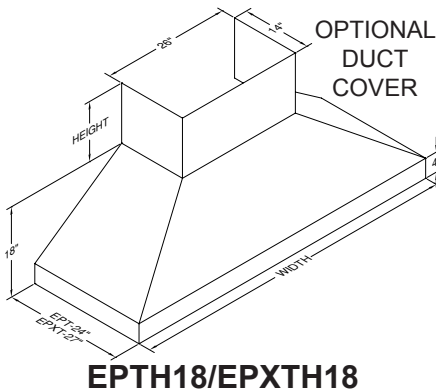


# VentA Hood® EUROSTYLE WALL MOUNT RANGE HOOD SPECIFICATIONS

**EPH18/EPXTH18/NEPTH18/NEPXTH18/SEPTH18/SEPXTH18** Equipped with halogen lighting. Not available with heat lamps. Shown with optional duct cover sold separately). Optional duct covers available in standard and custom sizes.



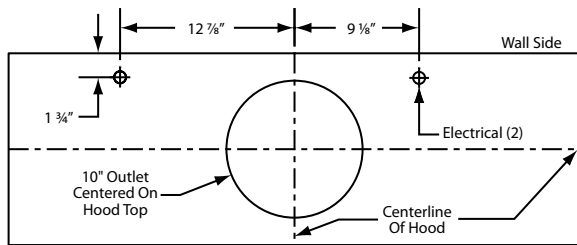
**EPH18/EPXTH18**

**NEPTH18/NEPXTH18**

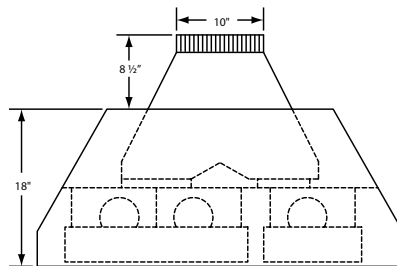
**SEPTH18/SEPXTH18**

(X) in part number indicates 27" depth

## Connection Diagram (42" - 66" Widths)

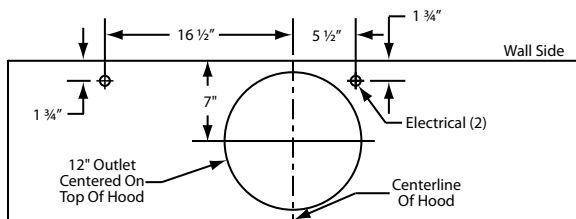


**900 CFM B200 Dual & B100 Single Blower (Top View)**

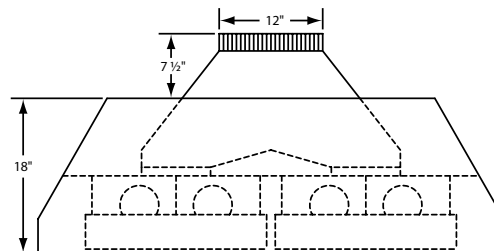


**VP562 Standard Transition Installed (Front View)**

## Connection Diagram (54" - 66" Widths)

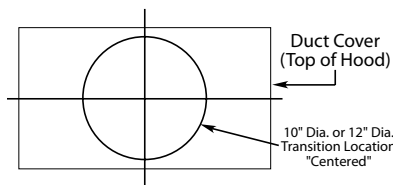


**1200 CFM Double B200 Dual Blowers (Top View)**

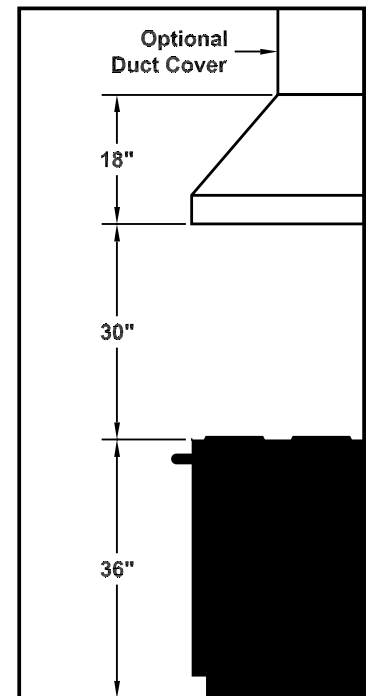


**VP563 Standard Transition Installed (Front View)**

The transition shown (VP562 & VP563) is installed in the hood at the factory as a standard item. It will be located in the exact center of the duct cover (left to right & front to rear).



## Recommended Mounting Height



\*Recommended mounting height is for optimum performance.

## Electrical/Mechanical Specifications For Blower Units

Model	Volts	Amps*	Hz	RPM	CFM SP@0.0"	Equivalent CFM*	CFM SP@0.1"	CFM SP@0.2"	CFM SP@0.3"	Minimum Round Duct Size	Sones#
B200 Dual & B100 Single	115	4.4	60	1550	900	1350	804	725	655	10" (79 in. <sup>2</sup> )	6.3
Two B200 Duals	115	5.8	60	1550	1200	1800	1062	960	860	12" (113 in. <sup>2</sup> )	6.6

\* Add 0.5 amp for each halogen light. Hood is available halogen lights (3 lights: 42" - 53" 4 lights: 54" - 66").

# Because the Magic Lung® blower uses centrifugal filtration rather than conventional baffle or mesh filters, the Magic Lung® blower can handle cooking equipment with higher cubic feet per minute (CFM) requirements and can deliver equivalent CFM much more efficiently than other than other filtration systems. When comparing the Magic Lung® with other blower units made by other manufacturers, use the "Equivalent CFM".

# Ratings in accordance with the Standard Test Code by the Energy Systems Laboratory of the Texas Engineering Experiment Station.