

**Lustertone® Undermount
Single Bowl Sink with Apron
Model ELUHF2520**



SPECIFICATIONS

GENERAL

Highest quality sink, with integral apron, seamlessly drawn of #18 gauge, type 304 (18-8) nickel bearing stainless steel. Underside of sink is fully protected by heavy duty Sound Guard™ undercoating. Designed to accept waste disposer.

DESIGN FEATURES

Bowl Depth: 7-7/8".

Finish: Exposed surfaces are hand blended to a lustrous high-lighted satin finish. ELUHF models have highlighted inside top bowl radius.

Underside: Underside of sink is fully protected by heavy duty Sound Guard™ undercoating to prevent condensation and deaden sound.

OTHER

Drain Opening: 3-1/2".

Note: For solid surface countertop installations only.

Installation: See illustrated profile below.

Countertop mounting clips are packed with every sink.

OPTIONAL ACCESSORIES

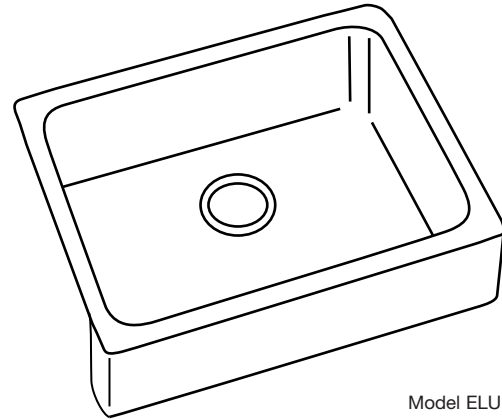
Rinsing Basket: LKRB1520 and LKERBSS.

Cutting Boards: CB1716 and CBC1714.

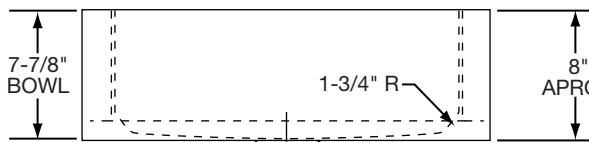
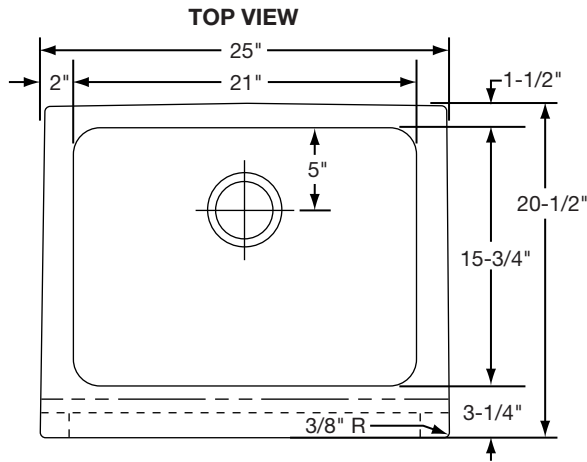
SINK DIMENSIONS (INCHES)*

Model Number	Overall		Inside Bowl			Ship. Wt. Lbs.
	L	W	L	W	D	
ELUHF2520	25	20 1/2	21	15 3/4	7 7/8	23

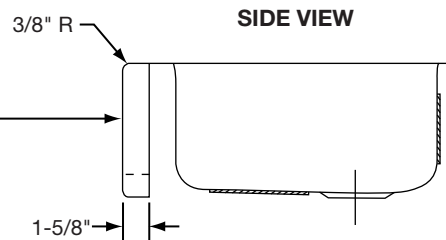
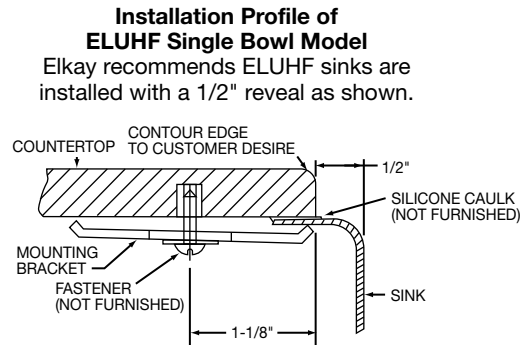
*Length is left to right. Width is front to back.



Model ELUHF2520



Model ELUHF2520 Illustrated



ALL DIMENSIONS IN INCHES. TO CONVERT TO MILLIMETERS MULTIPLY BY 25.4.

In keeping with our policy of continuing product improvement, Elkay reserves the right to change product specifications without notice.

This specification describes an Elkay product with design, quality and functional benefits to the user. When making a comparison of other producers' offerings, be certain these features are not overlooked.