

Perfect Drain™ InSinkErator® Disposer Installation Instructions

in sink erator®

Elkay® Perfect Drain™ sinks are designed and approved for compatible disposers manufactured by InSinkErator® utilizing the Quick Lock® mounting configuration.

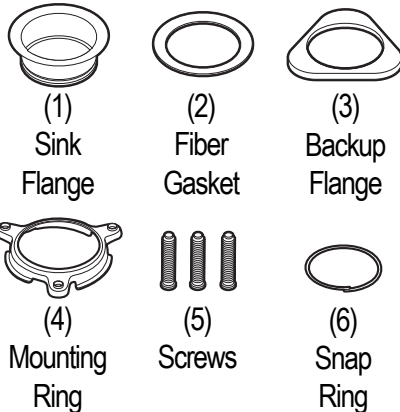
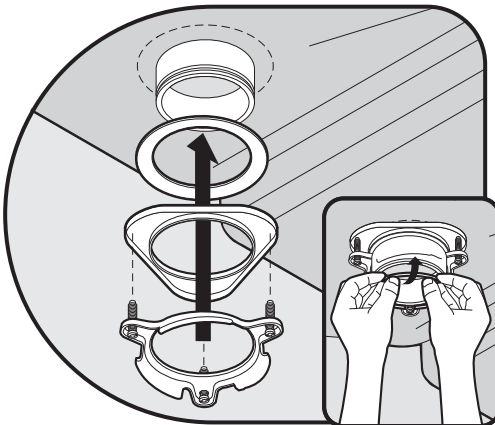
Use of non-approved disposers may void Elkay warranty.

InSinkErator, Quick Lock and the mounting collar configuration are trademarks of Emerson Electric Co.



To install garbage disposer onto Elkay® Perfect Drain™ Sink:

1. Locate appropriate step in disposer installation guide (provided with garbage disposer) represented by image below:



2. Disassemble Quick Lock® mounting assembly components provided with disposer (1, 2, 3, 4, 5, 6)
3. Sink Flange component (1) is not required, as it is integrated into the Perfect Drain Sink bowl.
4. Follow remaining installation steps as outlined in disposer installation guide, utilizing remaining components (2, 3, 4, 5, 6)



WARNING!

OVER-TIGHTENING OF MOUNTING ASSEMBLY SCREWS (5) COULD CAUSE PERMANENT DEFORMATION OF SINK. DO NOT USE POWER TOOLS TO TIGHTEN!

5. For further assistance, contact InSinkErator® Customer Service Line – 1.800.558.5700 or visit www.insinkerator.com