

ELKAY® SPECIFICATIONS

Lustertone® Undermount Single Bowl Sink Models ELU1316 and ELUH1316

GENERAL

Highest quality sink seamlessly drawn of #18 gauge, type 304 (18-8) nickel bearing stainless steel. Underside of sink is fully protected by heavy duty Sound Guard™ undercoating. Designed to accept waste disposer.

DESIGN FEATURES

Bowl Depth: 7-7/8".

Finish: Exposed surfaces are hand blended to a lustrous highlighted satin finish. ELUH1316 has highlighted inside top bowl radius.

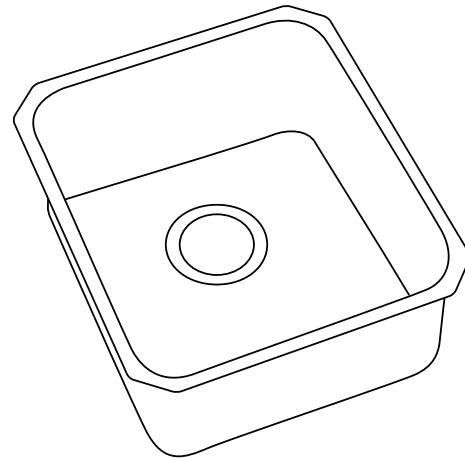
Underside: Fully protected by heavy duty Sound Guard® undercoating to prevent condensation and deaden sound.

OTHER

Drain Opening: 3-1/2".

Note: All Elkay custom design undermount sinks are designed to affix easily to the underside of any solid surface countertop.

Installation: See illustrated profile below.



Model ELU1316

OPTIONAL ACCESSORIES

Cutting Boards: CBR1316 and CBS1316.

Rinsing Baskets: LKERBSS and LKRB1611.

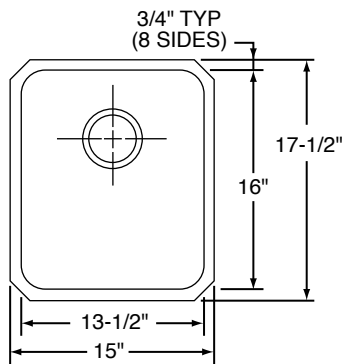
Bottom Grid: LKOBG1613.

SINK DIMENSIONS (INCHES)*

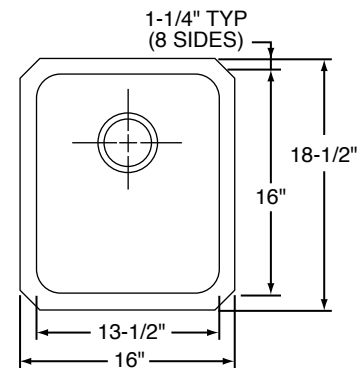
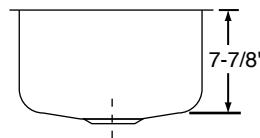
Model Number	Overall		Inside Bowl			Cutout in Countertop	Minimum Cabinet Size	Ship. Wt. Lbs.
	L	W	L	W	D			
ELU1316	15	17 1/2	13 1/2	16	7 7/8	See Template**	21	11
ELUH1316	16	18 1/2	13 1/2	16	7 7/8		21	11

*Length is left to right. Width is front to back.

**Template and countertop mounting clips are packed with every sink.



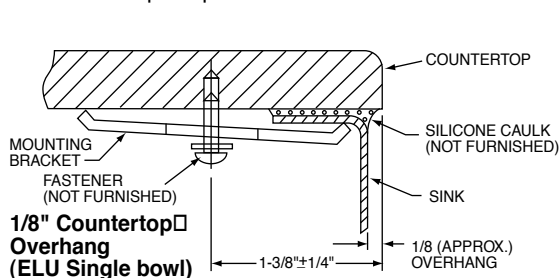
ELU1316 Illustrated



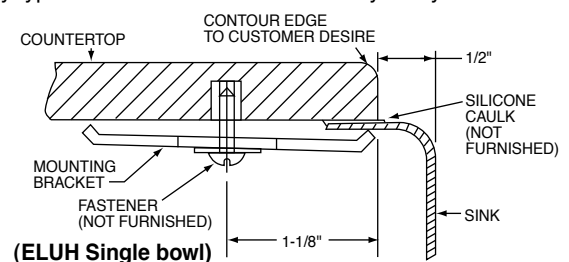
ELUH1316 Illustrated

Installation Profile of ELU and ELUH Single Bowl Models

The template provided with each ELU/ELUH sink provides the only type of installation recommended by Elkay.



1/8" Countertop Overhang (ELU Single bowl)



(ELUH Single bowl)

ALL DIMENSIONS IN INCHES, TO CONVERT TO MILLIMETERS MULTIPLY BY 25.4.

In keeping with our policy of continuing product improvement, Elkay reserves the right to change product specifications without notice.

This specification describes an Elkay product with design, quality and functional benefits to the user. When making a comparison of other producers' offerings, be certain these features are not overlooked.