

**Lustertone® Undermount Single Bowl Sink
Models ELU2421L, ELU2421R,
ELUH2421L and ELUH2421R**



SPECIFICATIONS

GENERAL

Highest quality sink seamlessly drawn of #18 gauge, type 304 (18-8) nickel bearing stainless steel. Underside of sink is fully protected by heavy duty Sound Guard™ undercoating. Designed to accept waste disposer.

DESIGN FEATURES

Bowl Depth: 6" Disposer Bowl and 2-5/16" Integral Ribbed Area. Choice of right or left configuration.

Finish: Exposed surfaces are hand blended to a lustrous high-lighted satin finish. ELUH2421 series have highlighted inside top bowl radius.

Underside: Fully protected by heavy duty Sound Guard™ undercoating to prevent condensation and deaden sound.

Includes CBP1319L or CBP1319R Cutting Surface.

OTHER

Drain Opening: 3-1/2".

Note: All Elkay custom design undermount sinks are designed to affix easily to the underside of any solid surface countertop.

Installation: See illustrated profiles below.

These sinks comply with ANSI Standard A112.19.3M.

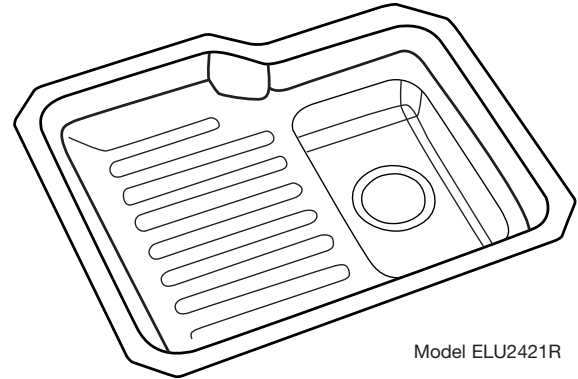
OPTIONAL ACCESSORIES

Cutting Surface: CBP1116.

SINK DIMENSIONS (INCHES)*

Model Number	Overall		Integral Ribbed Area			Disposer Bowl			Countertop Cutout	Shipping Weight Lbs.
	L	W	L	W	D	L	W	D		
ELU2421L	23 1/4	19 1/2	12 7/8	18	2 5/16	7 1/2	12 7/8	6	See Template	20 1/2
ELU2421R	23 1/4	19 1/2	12 7/8	18	2 5/16	7 1/2	12 7/8	6	See Template	20 1/2

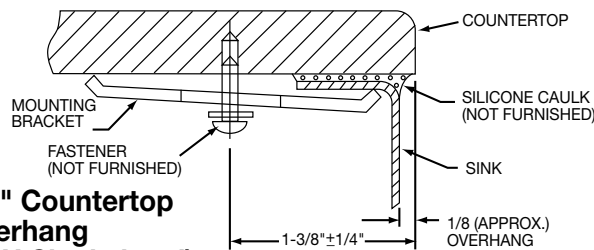
*Length is left to right. Width is front to back.
Template and countertop mounting clips are packed with every sink.
"L" or "R" indicates sink bowl is located to left or right of integral ribbed area.



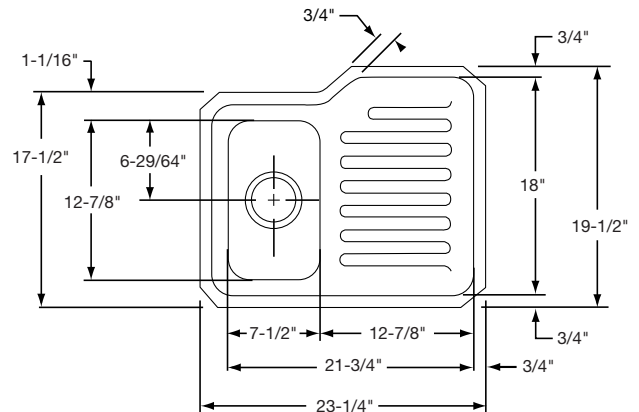
Model ELU2421R

Installation Profile of ELU Single Bowl Models

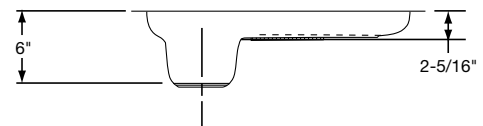
The template provided with each ELU sink provides the only type of installation recommended by Elkay.



1/8" Countertop Overhang (ELU Single bowl)



Model ELU2421L Illustrated



ALL DIMENSIONS IN INCHES. TO CONVERT TO MILLIMETERS MULTIPLY BY 25.4.

In keeping with our policy of continuing product improvement, Elkay reserves the right to change product specifications without notice.

This specification describes an Elkay product with design, quality and functional benefits to the user. When making a comparison of other producers' offerings, be certain these features are not overlooked.

SPECIFICATIONS

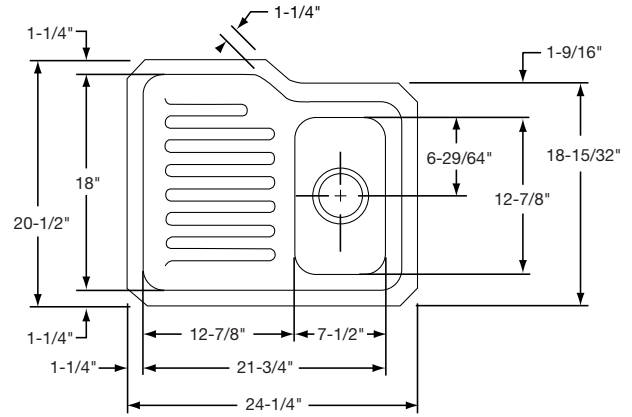
SINK DIMENSIONS (INCHES)*

Model Number	Overall		Integral Ribbed Area			Disposer Bowl			Countertop Cutout	Shipping Weight Lbs.
	L	W	L	W	D	L	W	D		
ELUH2421L	24 ¹ / ₄	20 ¹ / ₂	12 ⁷ / ₈	18	2 ⁵ / ₁₆	7 ¹ / ₂	12 ⁷ / ₈	6	See Template	20 ¹ / ₂
ELUH2421R	24 ¹ / ₄	20 ¹ / ₂	12 ⁷ / ₈	18	2 ⁵ / ₁₆	7 ¹ / ₂	12 ⁷ / ₈	6	See Template	20 ¹ / ₂

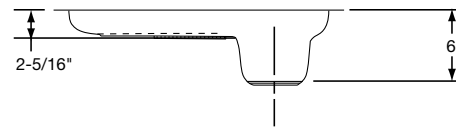
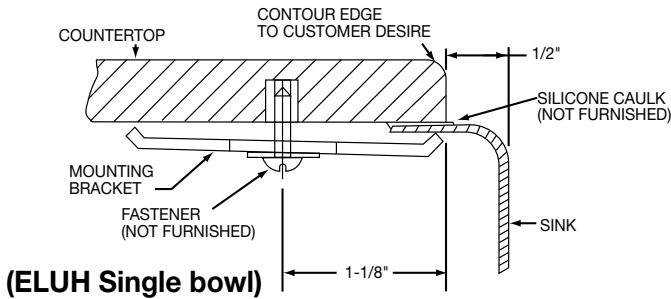
*Length is left to right. Width is front to back.
 Template and countertop mounting clips are packed with every sink.
 "L" or "R" indicates sink bowl is located to left or right of integral ribbed area.

Installation Profile of ELUH Single Bowl Models

The template provided with each ELUH sink provides the only type of installation recommended by Elkay.



Model ELUH2421R Illustrated



ALL DIMENSIONS IN INCHES. TO CONVERT TO MILLIMETERS MULTIPLY BY 25.4.

In keeping with our policy of continuing product improvement, Elkay reserves the right to change product specifications without notice.

This specification describes an Elkay product with design, quality and functional benefits to the user. When making a comparison of other producers' offerings, be certain these features are not overlooked.