

# ELKAY<sup>®</sup>

## SPECIFICATIONS

### Gourmet Undermount Sink with Perfect Drain™ Model ELU1316PD and ELUH1316PD

#### GENERAL

Highest quality sink formed of #18 (1.2mm) gauge, type 304 (18-8) nickel bearing stainless steel with **Perfect Drain**. Undermount.

#### DESIGN FEATURES

Bowl Depth: 7-7/8" (200mm), Overall 9-3/8" (238mm)

Coved Corners: 1-3/4" (44mm) vertical and horizontal radius.

Finish: Exposed surfaces are hand blended to a Lustrous (Highlighted) Satin finish.

Underside: Fully protected by Sound Guard<sup>®</sup> undercoating to reduce condensation and dampen sound.

**Perfect Drain:** Seamlessly welded stainless steel collar eliminates the gap between a traditional drain and the sink for a sanitary and gap free installation.

Each sink shipped with one LKPD1 drain kit, or a garbage disposer can be installed on sink bowl for user convenience.

#### Patent Pending

#### OTHER

Drain opening: 3-3/8" (86mm)

NOTE: All Elkay undermount sinks are designed to affix to the underside of any solid surface countertop.

Waste Fitting complies with ASME A112.18.2/CAN/CSA-B125.2

Sink complies with ASME A112.19.3-2008 / CSA B45.4-08.



These sinks are listed by the International Association of Plumbing and Mechanical Officials as meeting the requirements of the Uniform Plumbing Code and the National Plumbing Code of Canada.

#### OPTIONAL ACCESSORIES

Bottom Grid: LKWOBG1316SS

Cutting Boards: CB1613, CB1713, CBR1316, CBS1316 (ELUH model only)

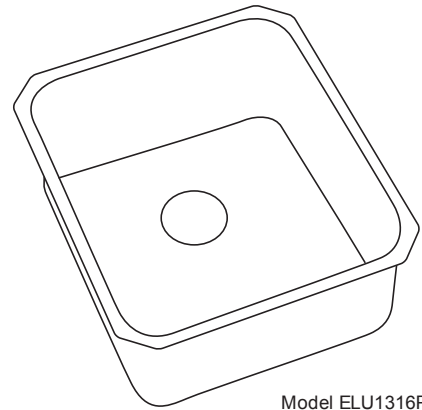
Rinsing Basket: LKWRB1316SS, LKWERBSS

Utensil Caddy for Rinsing Basket: LKWUCSS

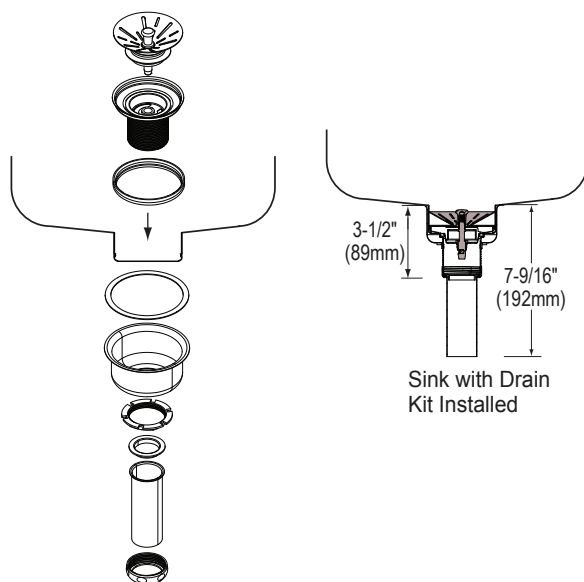
Mounting Clip: LKUCLIP8

#### SINK PACKAGE(S)

MODEL	SINK	BOTTOM GRID	QTY	DRAIN	QTY
ELU1316PDBG	ELU1316PD	LKWOBG1316SS	1	LKPD1	1
ELUH1316PDBG	ELUH1316PD	LKWOBG1316SS	1	LKPD1	1



Model ELU1316PD



in sink erator<sup>®</sup>

Elkay<sup>®</sup> Perfect Drain™ sinks are designed and approved for compatible disposers manufactured by InSinkEerator<sup>®</sup> utilizing the Quick Lock<sup>®</sup> mounting configuration. Use of non-approved disposers may void Elkay warranty.

InSinkEerator, Quick Lock and the mounting collar configuration are trademarks of Emerson Electric Co.



*In keeping with our policy of continuing product improvement, Elkay reserves the right to change product specifications without notice. Please visit [elkayusa.com](http://elkayusa.com) for most current version of Elkay product specification sheets.*

*This specification describes an Elkay product with design, quality and functional benefits to the user. When making a comparison of other producers' offerings, be certain these features are not overlooked.*

**Elkay**

[elkayusa.com](http://elkayusa.com)

2222 Camden Court  
Oak Brook, IL 60523

Printed in U.S.A.  
©2011 Elkay

(Rev. 10/11) 1-411A

# ELKAY<sup>®</sup>

## SPECIFICATIONS

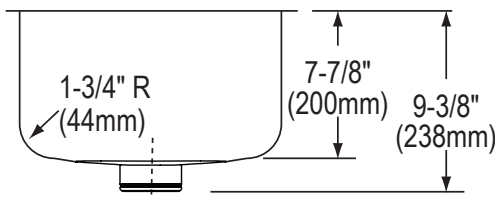
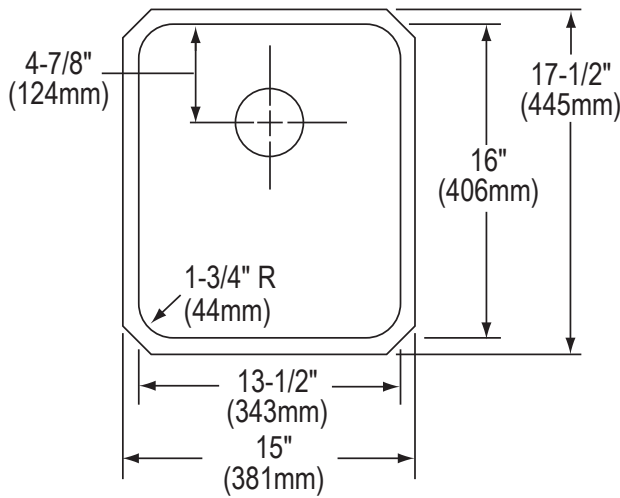
### Gourmet Undermount Sink with Perfect Drain™ Model ELU1316PD and ELUH1316PD

#### SINK DIMENSIONS\*

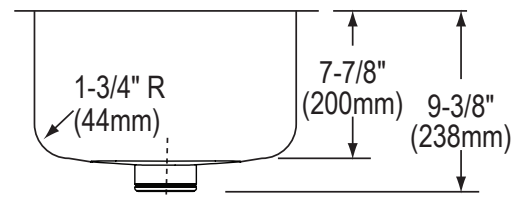
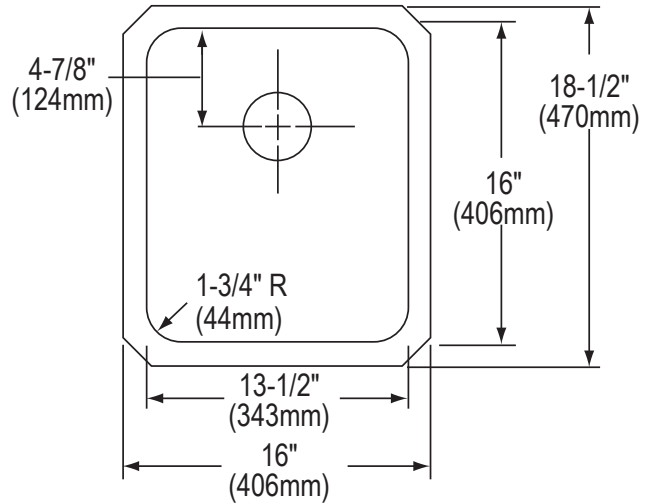
Model Number	Overall			Inside Bowl			Cutout in Countertop	Minimum Cabinet Size
	L	W	D	L	W	D		
ELU1316PD	15 (381mm)	17-1/2 (445mm)	9-3/8 (238mm)	13-1/2 (343mm)	16 (406mm)	7-7/8 (200mm)	See Template**	18 (457mm)
ELUH1316PD	16 (406mm)	18-1/2 (470mm)	9-3/8 (238mm)	13-1/2 (343mm)	16 (406mm)	7-7/8 (200mm)		21 (533mm)

\*Length is left to right. Width is front to back.

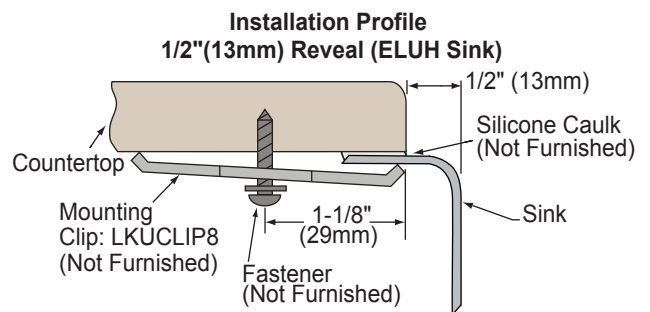
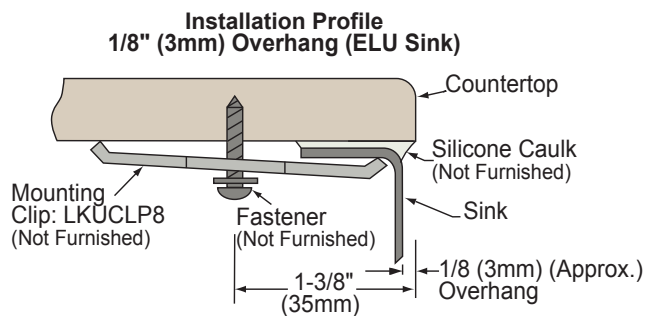
\*\*Template 74180177 (ELU1316) or 74180244 (ELUH1316) is packed with every sink.



Model ELU1316PD Illustrated



Model ELUH1316PD Illustrated



Designed to affix to the underside of any solid surface countertop.

In keeping with our policy of continuing product improvement, Elkay reserves the right to change product specifications without notice. Please visit [elkayusa.com](http://elkayusa.com) for most current version of Elkay product specification sheets.

This specification describes an Elkay product with design, quality and functional benefits to the user. When making a comparison of other producers' offerings, be certain these features are not overlooked.