

LEONE



WALL-MOUNT

ASPIRE SERIES

Dimensions

30"W x 24"D x 12 1/8"H
36"W x 24"D x 12 1/8"H
42"W x 24"D x 12 1/8"H

Models

ELN630SS Leone 30" Stainless
ELN136SS Leone 36" Stainless
ELN142SS Leone 42" Stainless

Special features



HUSH



halogen lamps



metallic rotating knob controls



professional stainless steel baffle filters



Give your professional kitchen a splash of Italian design with Leone's crisp lines, seamless welded corner craftsmanship, beveled rim and gleaming stainless steel, plus Leone comes "unbranded", for easy coordination with other appliances. Most importantly, Leone has the extra depth (24") and power (1200 CFM on 36" & 42" widths) needed to support professional ranges and cooktops. No ear plugs required with Leone's HUSH sound suppression system, which enables you to comfortably talk and entertain, even when cooking up a storm. Available in 30", 36" and 42" widths, Leone features metallic rotating knob controls, which operate the 4-speed blower and halogen lighting. Easy maintenance and a cleaner kitchen are assured with professional stainless steel baffle filters.

Leone is designed for standard ducted ventilation only (for heights 8'2" to 10'2").

 elica

FEATURES

Size (in) & Type Finish	30", 36" or 42" Wide Wall-Mount Chimney Stainless Steel
Controls	Metallic rotating knob
Illumination	2, 40 Watt Halogen Lamps, 2 Light Intensities (30", 36" & 42") (bulbs included)
Installation Type	Ducted Installation Only
Blower Type	600 CFM, 4-Speed Internal (30") 1200 CFM, 4-Speed Internal Blower (36" & 42")
Blower Performance	Speed 1 (For 30") 205 CFM, 1.4 Sones (For 36" & 42") 375 CFM, 1.6 Sones Speed 2 (For 30") 350 CFM, 2.6 Sones (For 36" & 42") 640 CFM, 3.5 Sones Speed 3 (For 30") 510 CFM, 4.5 Sones (For 36" & 42") 940 CFM, 6.0 Sones Speed 4 (For 30") 600 CFM, 6.0 Sones (For 36" & 42") 1200 CFM, 7.7 Sones
Filter Type	Dishwasher-Safe, Professional Stainless Steel Baffle (1 w/ 30", 2 w/ 36" & 42")
Telescopic Chimney Extension	For heights 8'8" - 10'4" (ducted)
Duct Transition	8" Round with Back Draft Damper (top)
Electrical	120V-60Hz 550 Watts at 4.6 Amps (600 CFM), 800 Watts at 6.7 Amps (1200 CFM)
Warranty	2 Year Parts & Labor, In-Home Service

ACCESSORIES



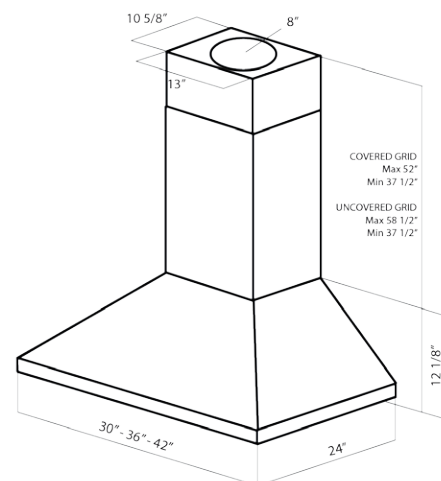
Optional Long Chimney Extension Kit

Reaches 9'10" - 13'0" (ducted)

CODE: KIT02785

MODEL: EXXCEK07

LINE DRAWING



CONSUMABLE PARTS

Replacement Grease Filter (1)

CODE: GF09FA (30", 42")

CODE: GF09EA (36")

Replacement Light Bulb (1)

CODE: 2006EA

Consumable parts are sold in units of one (1). Order accordingly.

SPECIAL FEATURES



HUSH

Elica HUSH Silence System:

An exclusive sound deadening technology that effectively reduces sound levels by over 35%, compared to typical range hoods.