

# ELKAY® SPECIFICATIONS

## Gourmet E-Granite Single Bowl Top Mount Sink Models ELG2522 Series

### GENERAL

Molded with up to 85% natural quartz and high performance acrylic resins. E-Granite is non-porous and resists staining. E-Granite is hard enough to resist scratches and chips, is naturally sound deadened, and heat resistant. The color is solid throughout the sink and is UV resistant to prevent colorfading in indoor applications. Top mount.

### DESIGN FEATURES

Bowl Depth: 9-1/2" (241mm).

Rim Height: 3/8" (10mm).

Color Options with natural accents: Black (BK), Bisque (BQ), Dusk Gray (GY), Mocha (MC), or White (WH).

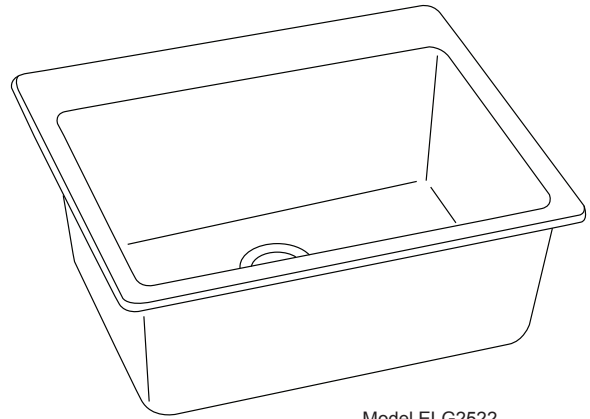
### OTHER

Drain Opening: 3-1/2" (89mm).

Note: Faucet holes are pre-scored for flexible installation.

Installer can punch up to 4 faucet holes.

Sink complies with ASME A112.19.3/ CSA B45.4



Model ELG2522

 Sinks are listed by IAPMO® as meeting the applicable requirements of the Uniform Plumbing Code®, International Plumbing Code®, and National Plumbing Code of Canada.

### OPTIONAL ACCESSORIES

Bottom Grid: LKWOBG2217SS

Cutting Board: LKCBEG2217HW

Drains: LKD35, LKS35

Rinsing Basket: LKWRB2217SS

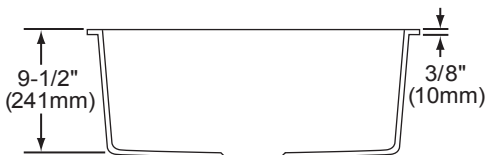
Utensil Caddy for Rinsing Basket: LKWUCSS

### SINK DIMENSIONS\*

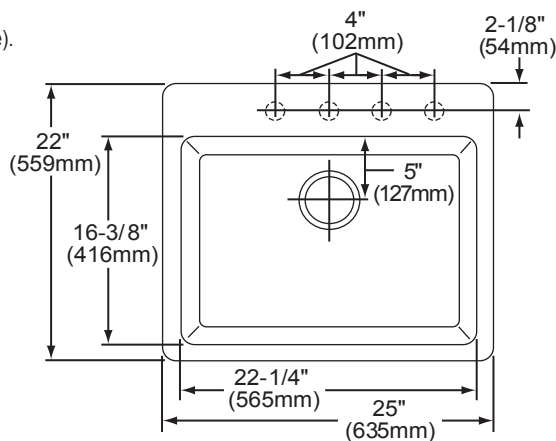
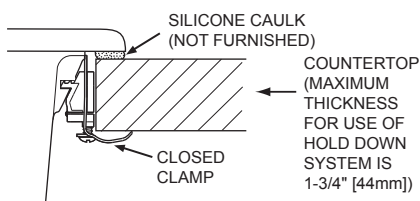
Model Number	Overall		Inside Bowl			Cutout in Countertop 1" (25mm) Radius Corners		No. of Pre-scored 1 1/2" (38mm) Dia. Faucet Holes	Minimum Cabinet Size
	L	W	L	W	D	L	W		
ELG2522	25 (635mm)	22 (559mm)	22-1/4 (565mm)	16-3/8 (416mm)	9-1/2 (241mm)	24-3/8 (619mm)	21-3/8 (543mm)	4	30 (762mm)

\*Length is left to right. Width is front to back.

\*\*Template 0000001438 (available by contacting customer service).



Cross Profile of Installation



### FOR SINKS PURCHASED PRIOR TO APR. 1, 2013, SEE NEXT PAGE FOR DETAILS.

In keeping with our policy of continuing product improvement, Elkay reserves the right to change product specifications without notice. Please visit [elkayusa.com](http://elkayusa.com) for most current version of Elkay product specification sheets.

This specification describes an Elkay product with design, quality, and functional benefits to the user. When making a comparison of other producers' offerings, be certain these features are not overlooked.

# ELKAY® SPECIFICATIONS

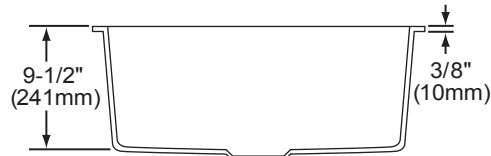
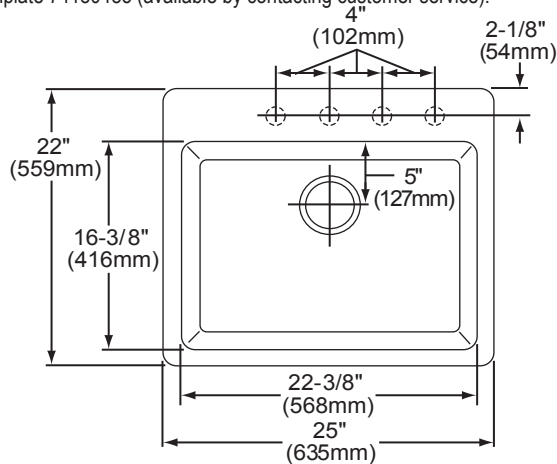
## Gourmet E-Granite Single Bowl Top Mount Sink Models ELG2522 Series

### SINK DIMENSIONS\*

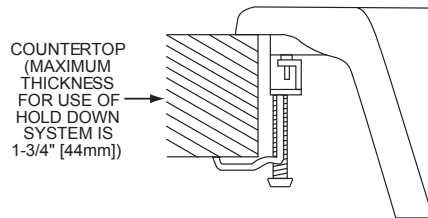
Model Number	Overall		Inside Bowl			Cutout in Countertop 1" (25mm) Radius Corners		No. of Pre-scored 1 1/2" (38mm) Dia. Faucet Holes	Minimum Cabinet Size
	L	W	L	W	D	L	W		
ELG2522	25 (635mm)	22 (559mm)	22-3/8 (568mm)	16-3/8 (416mm)	9-1/2 (241mm)	24-1/8 (613mm)	21-1/8 (537mm)	4	30 (762mm)

\*Length is left to right. Width is front to back.

\*\*Template 74180483 (available by contacting customer service).



Cross Profile of Installation



In keeping with our policy of continuing product improvement, Elkay reserves the right to change product specifications without notice. Please visit [elkayusa.com](http://elkayusa.com) for most current version of Elkay product specification sheets.

This specification describes an Elkay product with design, quality, and functional benefits to the user. When making a comparison of other producers' offerings, be certain these features are not overlooked.