

# Electrolux



## Front Load Washer

Front Load Perfect Steam™ Washer with LuxCare® Plus Wash and SmartBoost® - 4.5 Cu. Ft.

ELFW7637BT, ELFW7637BW

Available Colors : Titanium, White

Version : 10/21

### Washer

Drum Light	Yes
Drum Material	Stainless Steel
Maximum Spin Speed	1,300 RPM
Water Heater	Yes
Water Level Adjustment	Yes

### Washer Cycles

Cycle Count	11
Activewear	Yes
Clean Washer	Yes
Colors	Yes
Delicates	Yes
Fast Wash	Yes
Hand Wash	Yes
Heavy Duty	Yes
Normal	Yes
Optic Whites	Yes
Rinse and Spin	Yes
Towels	Yes
Allergen	Yes

### Washer Options

Delay Start Time	1-12 Hours
Extended Refresh	Yes
Extra Rinse	Yes
Perfect Steam	Yes
Pure Rinse	Yes
Stain Soak	Yes
Steam	Yes

### Soil Levels

Extra Light	Yes
Light	Yes
Normal	Yes
Heavy	Yes

Solid Soil	Yes
------------	-----

### Temperature Settings

Eco Cold	Yes
Cool	Yes
Warm	Yes
Hot	Yes
Sanitize	Yes

### Washer Spin Speeds

Spin Speed Selections	5
Max	Yes
High	Yes
Medium	Yes
Low	Yes
No Spin	Yes

### Controls

Cancel	Yes
Cycle Status Lights	Yes
Delay Start	Yes
Control Lock	Yes
Pause Function	Yes
Power On/Off	Yes
Start	Yes

### Dispenser

Bleach Dispenser	Yes
Detergent Dispenser	Yes
Fabric Softener Dispenser	Yes
Prewash Detergent Dispenser	Yes
PODs Dispenser	Yes

### Exterior

Door Latch	Yes
Reversible Door	Yes

High standards of quality at Electrolux Home Products, Inc. mean we are constantly working to improve our products. We reserve the right to change specifications or discontinue models without notice.

Electrolux Major Appliances, N.A.

USA • 10200 David Taylor Drive • Charlotte, NC 28262 • Charlotte, NC 28262 • 1-877-4electrolux (1-877-435-3287) • [electroluxappliances.com](http://electroluxappliances.com)

CANADA • 5855 Terry Fox Way • Mississauga, ON L5V 3E4 • 1-800-265-8352 • [electroluxappliances.ca](http://electroluxappliances.ca)

Front Load Perfect Steam™ Washer with LuxCare®  
Plus Wash and SmartBoost® - 4.5 Cu. Ft.

ELFW7637BT, ELFW7637BW

Version : 10/21

## Dimensions and Volume

Height	38"
Width	27"
Depth	32"
Washer Drum Capacity	4.5 Cu. Ft.

## Electrical Specifications

Minimum Circuit Required	15 Amps
Voltage Rating	120 V

## Energy Data

Integrated Water Factor	3.2
kWh/cycle	0.29 kWh
kWh/year	85 kWh
Modified Energy Factor	2.92
Water Usage/Year	4,248 Gallons

## Installation

Optional Pedestal	Yes
Stackable	Yes

## General Specifications

Chime On / Chime Off	Yes
Leveling Legs	Yes
Prop 65 Label	No
Warranty - Labor	1 Year
Warranty - Parts	1 Year

## Performance Certifications and Approvals

CEE Tier	Tier 2
ENERGY STAR Certified	Yes
ENERGY STAR Most Efficient	Yes
High Efficiency	Yes

## Safety Certifications and Approvals

UL Listed	Yes
NSF Certified	Yes
Sanitization and Allergy Reduction	Yes

High standards of quality at Electrolux Home Products, Inc. mean we are constantly working to improve our products. We reserve the right to change specifications or discontinue models without notice.

Electrolux Major Appliances, N.A.

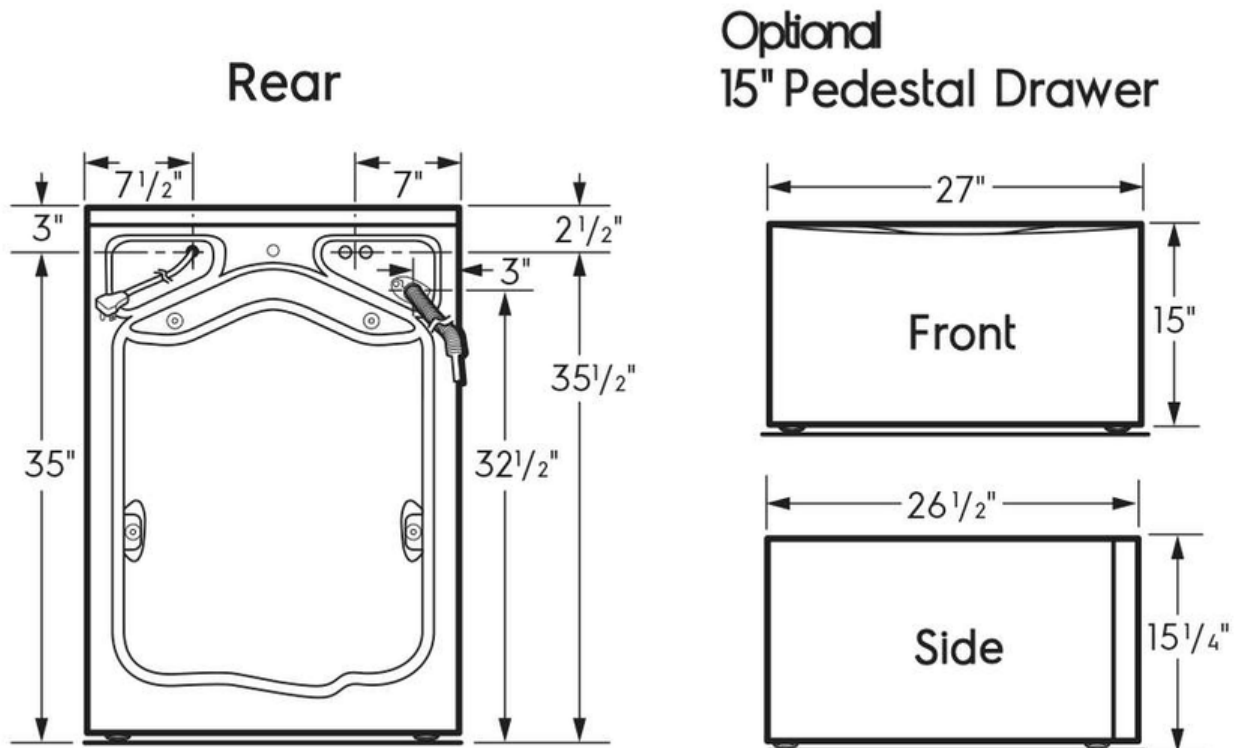
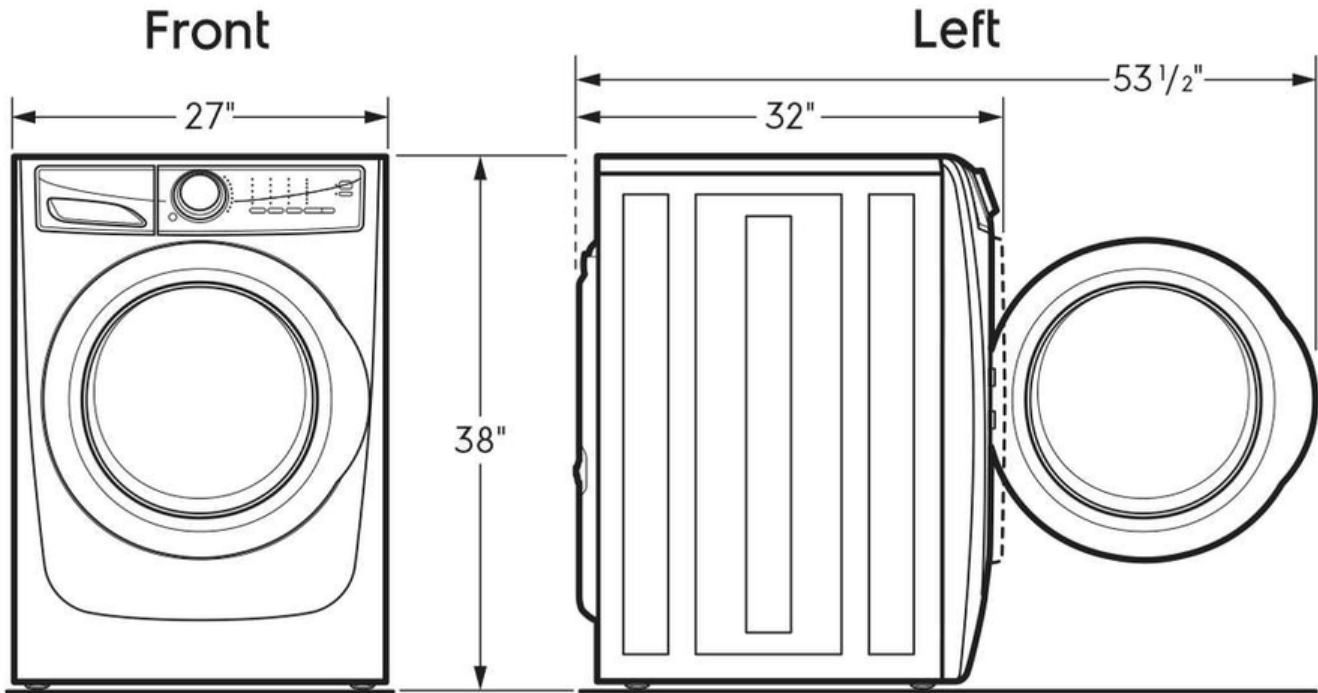
USA • 10200 David Taylor Drive • Charlotte, NC 28262 • Charlotte, NC 28262 • 1-877-4electrolux (1-877-435-3287) • [electroluxappliances.com](http://electroluxappliances.com)

CANADA • 5855 Terry Fox Way • Mississauga, ON L5V 3E4 • 1-800-265-8352 • [electroluxappliances.ca](http://electroluxappliances.ca)

# Electrolux

Front Load Perfect Steam™ Washer with LuxCare® Plus Wash and SmartBoost® - 4.5 Cu. Ft.    ELFW7637BT, ELFW7637BW

Version : 10/21



High standards of quality at Electrolux Home Products, Inc. mean we are constantly working to improve our products. We reserve the right to change specifications or discontinue models without notice.

Electrolux Major Appliances, N.A.

USA • 10200 David Taylor Drive • Charlotte, NC 28262 • Charlotte, NC 28262 • 1-877-4electrolux (1-877-435-3287) • [electroluxappliances.com](http://electroluxappliances.com)

CANADA • 5855 Terry Fox Way • Mississauga, ON L5V 3E4 • 1-800-265-8352 • [electroluxappliances.ca](http://electroluxappliances.ca)