

# Upright Freezer

## EILFU21G S



### 21 Cu. Ft. Capacity

Contains 21 cubic feet of freezer storage space to accommodate over 700 lbs. of food and frozen items. Versatile and convenient to use, this unit offers three Luxury-Glide™ full-width baskets, four glass shelves, and six door shelves, including three that tilt out for easy access.



### Fast Freeze™ Option

Freezes food faster to lock in freshness.



### Alarm System

Notifies you if there's been a power failure, if a door stays open longer than five minutes and if the interior temperature of the freezer rises above 23 degrees for more than 60 minutes.



### Frost-Free Design

The freezer defrosts itself so you don't have to. With the automatic Ice Maker, you'll always have extra ice on hand.



### 21 CU. FT. UPRIGHT FREEZER

|              |     |
|--------------|-----|
| ENERGY STAR® | Yes |
|--------------|-----|

| Capacities   |              |
|--------------|--------------|
| Total Volume | 20.6 Cu. Ft. |
| Shelf Area   | 23.2 Sq. Ft. |

| Features                                 |     |
|--|-----|
| IQ-Touch™ Electronic Controls            | Yes |
| Digital Exterior Control Center          | Yes |
| Frost-Free Performance                   | Yes |
| Adjustable Temp Control                  | Yes |
| Display Temp Mode (°C or °F)             | Yes |
| Fast Freeze™                             | Yes |
| High-Temperature Alarm System            | Yes |
| System Error Alarm                       | Yes |
| Interior Lighting                        | Yes |
| Power-On Light                           | Yes |
| Adjustable Glass Shelves                 | 2   |
| Fixed Glass Shelves                      | 2   |
| Luxury-Glide™ Full-Width Freezer Baskets | 3   |
| Adjustable Door Shelves                  | 2   |
| Fixed Door Shelves                       | 1   |
| Tilt-Out Wire Door Shelves               | 3   |
| Automatic Ice Maker                      | Yes |

| Additional Features                       |     |
|---|-----|
| Signature Soft-Arc Door and Handle Design | Yes |
| Lock with Pop-Out Key                     | Yes |
| Automatic Door Closer                     | Yes |
| Defrost Drain                             | Yes |
| Adjustable Leveling Legs                  | 2   |

| Accessories       |          |
|-------------------|----------|
| Pizza Shelf       | Included |
| Small Items Shelf | Included |
| 3 Basket Dividers | Included |

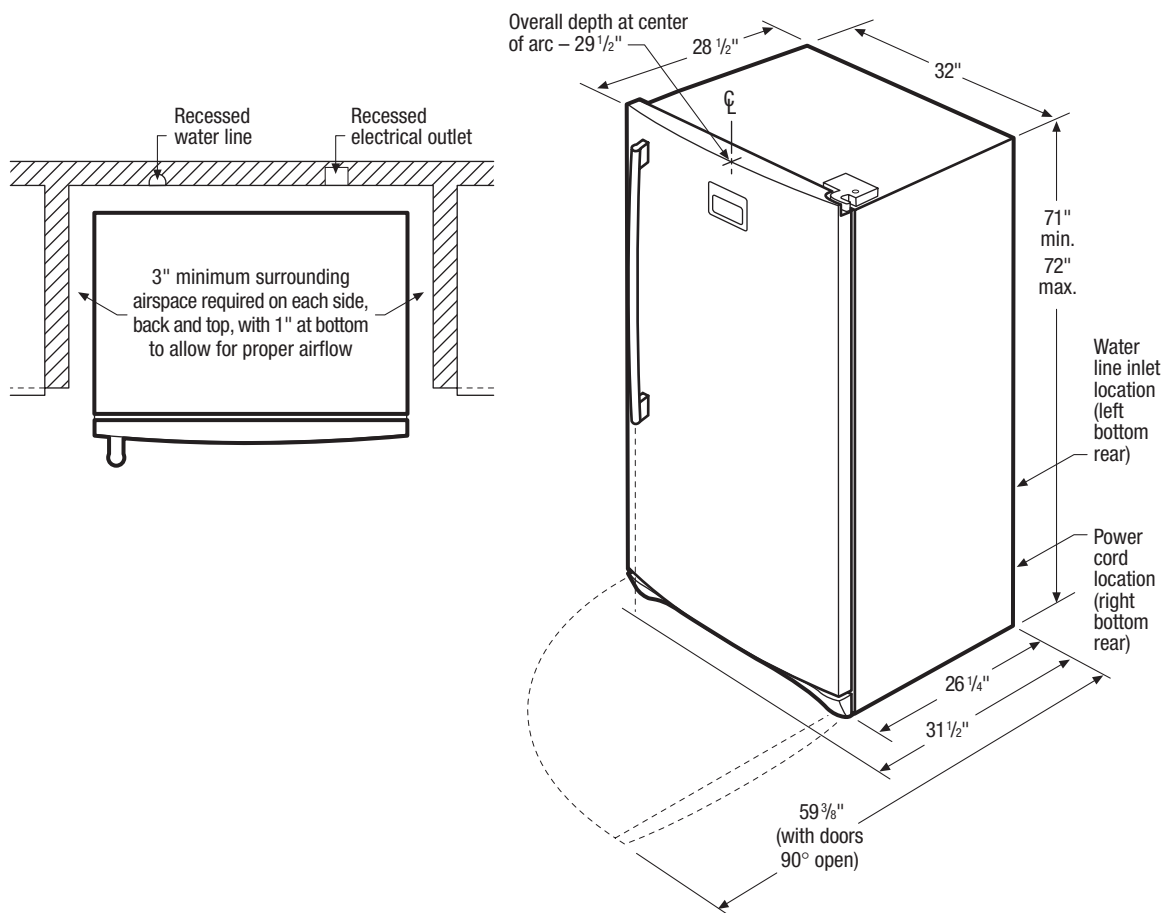
| Color / UPC (0-12505-) |         |
|------------------------|---------|
| Stainless Steel (S)    | 22529-1 |

| Specifications                                   |                    |
|--|--------------------|
| Overall Exterior Dimensions –                    |                    |
| Height (Adjustable)                              | 71" – 72"          |
| Width  | 32"                |
| Depth (to Center of Arc)<br>(with 90° Door Open) | 29-1/2"<br>59-3/8" |
| Voltage Rating                                   | 115V/60Hz/15A      |
| Connected Load (kW Rating) @ 115 Volts†          | 0.69               |
| Minimum Circuit Required (Amps)                  | 15                 |
| Power Supply Connection Location                 | Right Bottom Rear  |
| Water Inlet Location                             | Left Bottom Rear   |
| Product Weight                                   | 246 Lbs.           |
| Shipping Weight (Approx.)                        | 268 Lbs.           |

†An electrical supply with grounded three-prong receptacle is required. The power supply circuit must be installed in accordance with current edition of National Electrical Code (NFPA 70) and local codes & ordinances.

NOTE: Always consult local and/or national electric codes. Refer to Product Installation Guide for detailed installation instructions on the web at [www.electroluxappliances.com](http://www.electroluxappliances.com).

Specifications subject to change.



## 21 Cu. Ft. Upright Freezer Specifications

- Product Weight – 246 Lbs.
- An electrical supply with grounded three-prong receptacle is required. The power supply circuit must be installed in accordance with current edition of National Electrical Code (NFPA 70) and local codes & ordinances.
- Voltage Rating – 115V/60Hz/15 Amps
- Connected Load (kW Rating) @ 115 Volts = 0.69kW
- Amps @ 115 Volts = 5 Amps
- Always consult local and/or national electric & plumbing codes.
- Water line can enter opening through floor or rear wall. Copper tubing recommended between cold water line and water connection location. Water line tubing recommended is 48" minimum length by 1/4" diameter. Installation of easily accessible shutoff valve in water line required.
- Minimum airspace of 3" required on each side, back and top, with 1" at bottom to allow for proper airflow.

- When installing next to wall where handle may make contact, allow 4" minimum clearance for 90° door swing. At 90° door stop position, basket access will be maintained but removal will be restricted.
- Locate where surrounding air temperature will not exceed 110° F, to ensure optimum performance. (Temperatures 32° F and below will NOT affect operation.)
- All bottom corners of unit MUST rest firmly on solid level surface of hard material, same height as flooring. Surface must be strong and stable enough to support unit when fully loaded.
- Equipped with 4-point leveling to ensure unit is level, which is required in order to function properly.

**Note:** For planning purposes only. Refer to Product Installation Guide on the web at [electroluxappliances.com](http://electroluxappliances.com) for detailed instructions.