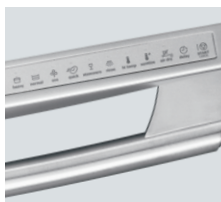


# Dishwashers

EIDW6305G S, EIDW6305G W, EIDW6305G B



### Integrated Controls with Countdown Display

Features integrated IQ-Touch™ controls with visible countdown display. 8 wash cycles and 4 dishcare options offer convenience and versatility.



### Quietest in its Class\*

So quiet you can run it whenever you want and no one will notice. Tested to 45 dBA sound level.



### Sure-2-Fit™ Racking System

The most versatile dishware racking system — there's a perfect place for over 180 items, from chopsticks to stockpots to stemware. There's also an adjustable/removable top rack for the utmost flexibility.



### Largest Usable Capacity

Largest usable capacity\*\* in its class so all of your dinner party dishware fits.

## 24" BUILT-IN DISHWASHERS

ENERGY STAR®	Yes
--------------	-----

### Features

Stainless Steel Interior	Yes
Signature Soft-Arc Door and Handle Design	Yes
Luxury-Hold™ Door	Yes
IQ-Touch™ Electronic Controls	Yes
Integrated Control Panel	Yes
Digital Countdown Display	Yes
Tall Tub Design	Yes
Smart Soil Sensor™	Yes
Luxury-Quiet™ Sound Package	Yes
Wash Levels	5
AquaLux™ Wash System	Yes
Luxury-Dry™ Power Dry System	Yes
Adjustable Rinse Aid Dispenser with Indicator	Yes

### Cycles

Auto Wash	Yes
Heavy	Yes
Normal	Yes
Favorite	Yes
Quick	Yes
Eco Wash	Yes
Perfect Stemware™	Yes
Rinse Only	Yes

### Options

Hi-Temp. Wash	Yes
NSF® Certified Sanitize Option	Yes
Delay Start (Hours)	1–24
Air Dry	Yes

### Rack System

Sure-2-Fit™ Nylon Rack System	Yes
Luxury-Glide™ Nylon Upper Rack –	
Adjustable Height	Yes
Cup Shelf	2
Cup Clips	2
Perfect Stemware™ Holder	Yes
Fold-Down Tines	2 Rows
Rack Handle	Yes
Versa-Tray™	Yes
Luxury-Glide™ Nylon Lower Rack –	
Fold-Down Tines	4 Rows
Rack Handle	Yes
Utility Tray/Shelf	Yes
Stemware/Champagne Glass Holders	2
Silverware Basket	3-Piece Split

### Specifications

Overall Exterior Dimensions –	
Height (Adjustable)	33-7/8" – 34-7/8"
Width	23-3/4"
Depth (to Center of Arc)	24-5/8"
(with 90° Door Open)	49-7/8"
Power Supply/Water Inlet Location	Middle Bottom Rear
Leveling Legs	Yes
Water Usage (Gallons) – Normal Cycle	4.9 – 8.5
Water Pressure (PSI)	15 – 120
Voltage Rating	120V/60Hz/15A
Connected Load (kW Rating) @ 120 Volts‡	1.44
Amps @ 120 Volts	9
Product Weight	98 Lbs.
Shipping Weight	115 Lbs.

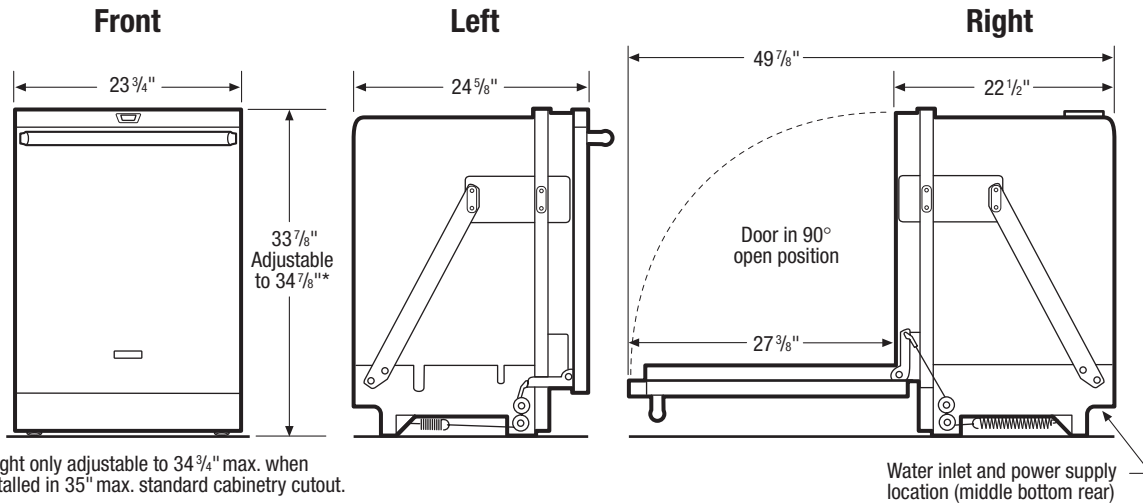
‡For use on adequately wired 120V, dedicated circuit having 2-wire service with a separate ground wire. Appliance must be grounded for safe operation.

NOTE: Always consult local and/or national electric codes. Refer to Product Installation Guide for detailed installation instructions on the web at [www.electroluxappliances.com](http://www.electroluxappliances.com). Specifications subject to change.

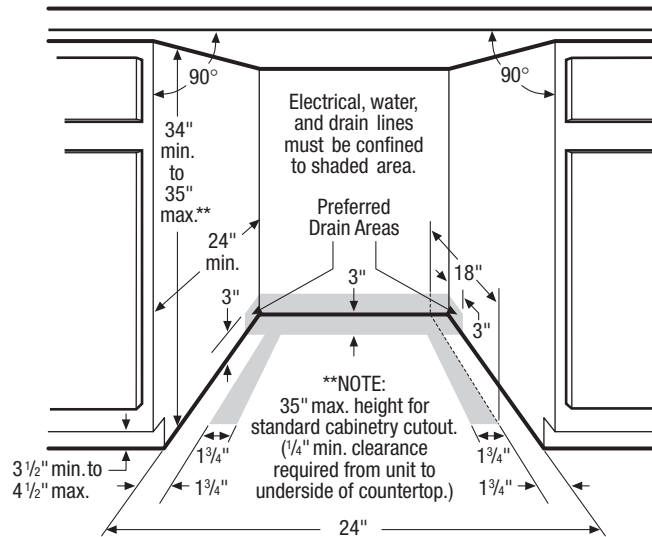
\*Based on published MSRP and specifications.

\*\*As measured by adjusted rack space.





\*Height only adjustable to 34 3/4" max. when installed in 35" max. standard cabinetry cutout.



## Built-In Dishwasher Specifications

- Product Weight – 98 Lbs.
- Voltage Rating – 120V/60 Hz/15 Amps
- Connected Load (kW Rating) @ 120 Volts = 1.44kW (For use on adequately wired 120V, dedicated circuit having 2-wire service with a separate ground wire. Appliance must be grounded for safe operation.)
- Amps @ 120V = 9 Amps
- Always consult local and/or national electric & plumbing codes.
- Water Pressure – Hot water line to dishwasher must provide between 15 and 120 pounds per square inch (psi).
- Make sure location has right drain, water and electrical outlets to make connections.
- Keep back free of drain, water & electrical supply.
- Electrical and water supplies should enter cabinet opening on floor, or through back or side walls, as shown in shaded areas.

- Connections preferably located toward left side of dishwasher. Do not cross drain, water or electrical lines in front of motor, blower or frame.
- Minimum clearance of 1/4" required from unit to underside of countertop.
- Leveling legs supplied to adjust height. (*Note: Height only adjustable to 34-3/4" max. when installed in 35" max. standard cabinetry cutout to allow for 1/4" min. clearance.*)
- When installing in corner, allow 2" clearance between opened door and wall, to allow door to open.
- When installing at end of cabinet line, sides must be fully enclosed.
- Do not install unit under a cooktop, damage may occur.

**Note: For planning purposes only. Refer to Product Installation Guide on the web at [electroluxappliances.com](http://electroluxappliances.com) for detailed instructions.**