

Dishwasher

EIDW1805K S



Luxury-Quiet™ Dishwasher¹

So quiet you can run it whenever you want and no one will notice.



ENERGY STAR®

ENERGY STAR®-Qualified means at least 41% less energy is used².



Luxury-Hold™ Door

Our door stays put at whatever angle you place it.



Luxury-Glide® Racks

With our Luxury-Glide® technology, upper and lower racks are so smooth they extend effortlessly.

18" BUILT-IN DISHWASHER

Features

Stainless Steel Interior	Yes
Signature Soft-Arc Door and Handle Design	
Luxury-Hold™ Door	Yes
IQ-Touch™ Electronic Controls	Yes
Fully Integrated Control Panel	Yes
Tall Tub Design	
SmartSoil™ Sensor	
Luxury-Quiet™ Sound Package	Yes
Sound Level	52dBA
Wash Levels	4
AquaLux™ Wash System	
Adjustable Rinse Aid Dispenser with Indicator	Yes
ENERGY STAR®	Yes
A.D.A. Compliant*	Yes

Cycles

Heavy	Yes
Normal	Yes
Quick	Yes
Rinse Only	Yes
Eco Wash	Yes

Options

Hi-Temp. Wash	Yes
NSF® Certified Sanitize Option	Yes
Delay Start (Hours)	2, 4, 6

Rack System

Nylon Rack System	Yes
Luxury-Glide® Nylon Upper Rack –	
Adjustable Height	
Cup Shelf/Stemware Holder	1
Fold-Down Tines	
Rack Handle	
Luxury-Glide® Nylon Lower Rack –	
Fold-Down Tines	
Silverware Basket	Standard

Specifications

Color –	
Stainless Steel	S
Product Dimensions –	
Height (Adjustable)	32-1/2" – 35"
Width	17-5/8"
Depth (to Center of Arc)	23"
(with 90° Door Open)	46"
Power Supply Location	Right Bottom Front
Water Inlet Location	Left Bottom Front
Water Usage (Gallons) – Normal Cycle	3.96
Water Pressure (PSI)	15 – 120
Integral Air Gap on Supply	Yes
Voltage Rating	120V/60Hz/15A
Connected Load (kW Rating) @ 120 Volts [†]	1.44
Amps @ 120 Volts	9
Shipping Weight (Approx.)	71 Lbs.

¹When properly installed, meets the appliance standards in the Americans with Disabilities Act and the Architectural Barriers Act Accessibility Guidelines as published by the United States Access Board on June 23, 2004, as amended August 5, 2005.

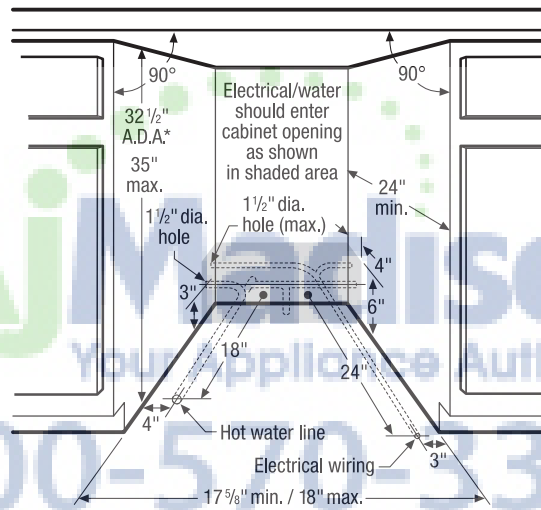
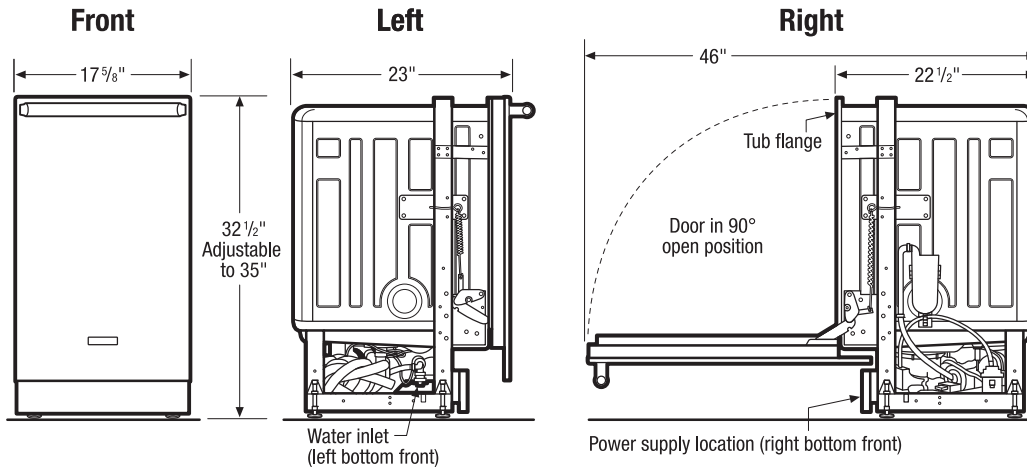
[†]For use on adequately wired 120V, dedicated circuit having 2-wire service with a separate ground wire. Appliance must be grounded for safe operation.

NOTE: Always consult local and national electric & plumbing codes. Refer to Product Installation Guide for detailed installation instructions on the web at www.electroluxappliances.com. Specifications subject to change.

²Based on published MSRP and specifications.

³Available on select models.

⁴Than the federal minimum standard for energy consumption.



*A.D.A. installation, (32 1/2") beneath 34"- high countertop may be accomplished by adjusting toekick and leveling legs.

Built-In Dishwasher Specifications

- Product Weight – 66 Lbs.
- Voltage Rating – 120V/60 Hz/15 Amps (maximum 20 Amps if connected with disposer)
- Connected Load (kW Rating) @ 120 Volts = 1.44kW (For use on adequately wired 120V, dedicated circuit having 2-wire service with a separate ground wire. Appliance must be grounded for safe operation.)
- Amps @ 120V = 9 Amps
- Always consult local and national electric & plumbing codes. Meets requirements of ASSE 1006—integral air gap on supply.
- Water Pressure – Hot water line to dishwasher must provide between 15 and 120 pounds per square inch (psi).
- Dishwasher enclosure requires that adjacent cabinets be square and plumb. Unit must be fully enclosed on top, sides and back; and not support any part of enclosure.
- For A.D.A. installation, (32 1/2") beneath 34"- high countertop may be accomplished by adjusting toekick and leveling legs.

- When installing unit adjacent to wall, cabinet or other obstruction that extends beyond front edge of unit, allow 2" minimum clearance between opened door and obstruction.
- Do not install unit beneath cooktop, damage will occur.
- Make sure location has required drain, water and electrical outlets to make proper connections.
- Air gap required if drain is connected to waste tee or disposer lower than 18" above floor. If no air gap required, minimum 32"-high drain loop must be used. Total drain hose length must not exceed 10' to drain outlet.
- Electrical and water supplies should enter enclosure on floor, or through rear or cabinet side walls, as shown in designated shaded area. Hot water line may pass through same hole as electrical cable and drain hose; or through additional 1-1/2" dia. hole designated to accommodate line.
- Water connection located on left side of dishwasher. Install hot water inlet line using no less than 3/8" O.D. copper and extend forward at least 18" from rear wall with hand shut-off valve accessible beneath sink.

Note: For planning purposes only. Refer to Product Installation Guide on the web at electroluxappliances.com for detailed instructions.

Electrolux Major Appliances, N.A.

USA • 10200 David Taylor Drive • Charlotte, NC 28262 • 1-877-4electrolux (1-877-435-3287) • electroluxappliances.com
 CANADA • 5855 Terry Fox Way • Mississauga, ON L5V 3E4 • 1-800-265-8352 • electroluxappliances.ca

Meets requirements of ASSE 1006

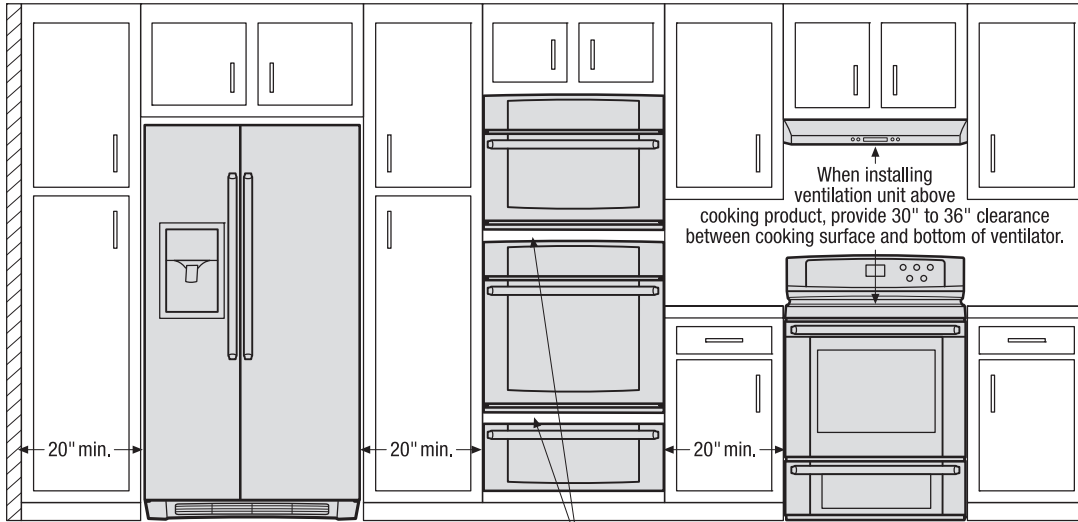


NSF Protocol for Sanitization and Cleaning Performance of Household Spray-Type Dishwashers (1997)

High standards of quality at Electrolux Home Products, Inc. mean we are constantly working to improve our products. We reserve the right to change specifications or discontinue models without notice.

Use these dimensions and clearance instructions for planning purposes only. For detailed installation instructions, refer to installation guide, packed with product, or on the web at electroluxappliances.com.

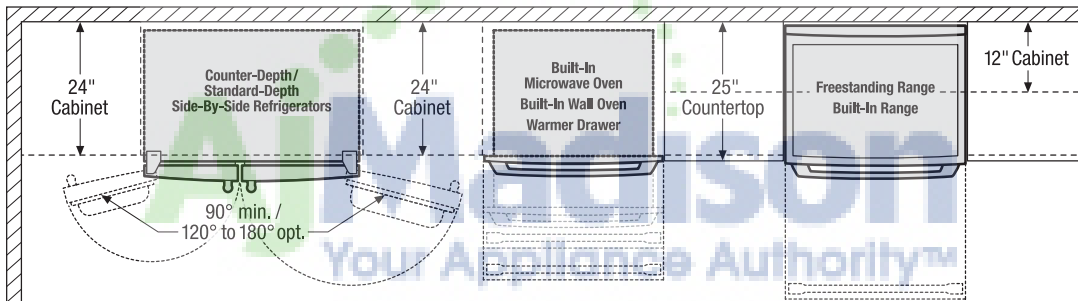
Front



When installing appliances adjacent to each other, 20" minimum distance between each appliance required.

When installing built-in cooking appliances in combination, 2" minimum visible gap between appliance faceplates required.

Top

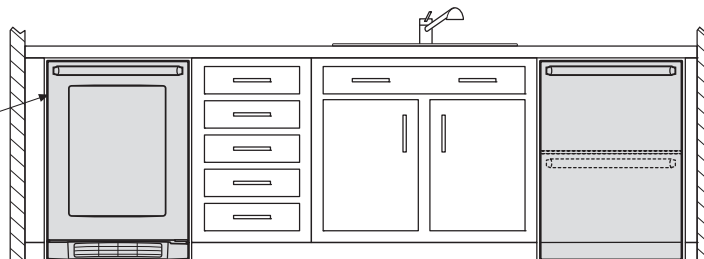


When installing refrigerator adjacent to wall, cabinet or another appliance that extends beyond front edge of unit, 20" minimum clearance recommended to allow for optimum 120° to 180° door swing, providing complete drawer/crisper access and removal.

When installing appliance with sliding drawer or drop-down door directly across from obstructions, provide sufficient clearance for drawer extension or door swing.

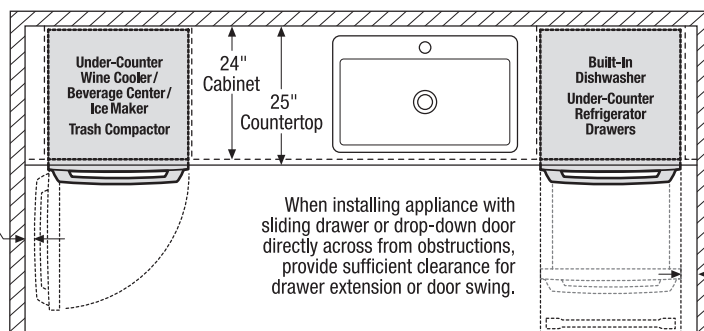
Front

To ensure optimum performance, avoid installing refrigeration appliances in direct sunlight or near heat source.



Top

When installing appliance with side-swing door adjacent to wall, cabinet, or other obstruction that extends beyond front edge of appliance, door swing and handle clearance must be sufficient to allow access to appliance interior.



When installing appliance with sliding drawer or drop-down door directly across from obstructions, provide sufficient clearance for drawer extension or door swing.

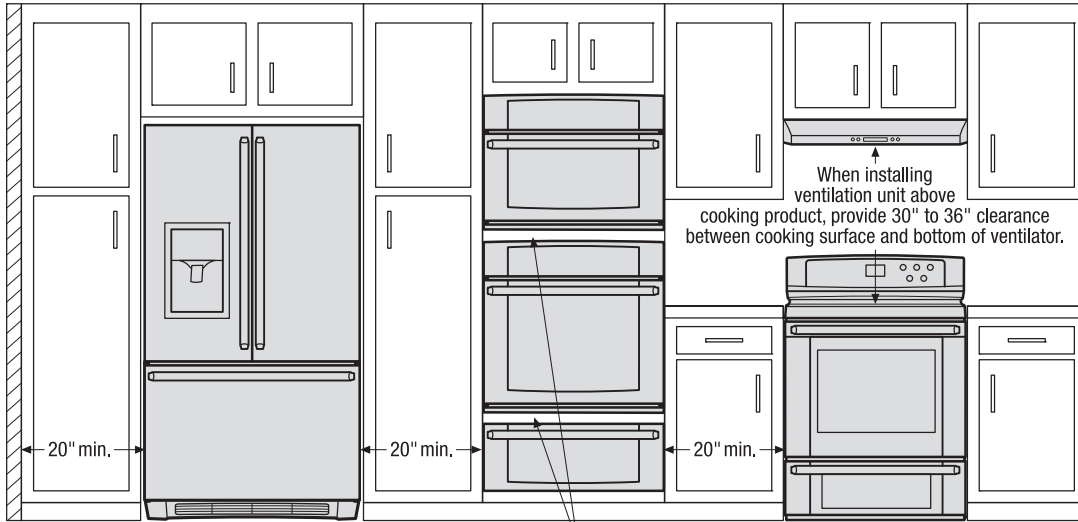
When installing appliance with sliding drawer or drop-down door adjacent to wall, cabinet, or other obstruction that extends beyond front edge of appliance, allow 2" minimum clearance between drawer or door and obstruction.

Electrolux Major Appliances, N.A.

USA • 10200 David Taylor Drive • Charlotte, NC 28262 • 1-877-4electrolux (1-877-435-3287) • electroluxappliances.com
 CANADA • 5855 Terry Fox Way • Mississauga, ON L5V 3E4 • 1-800-265-8352 • electroluxappliances.ca

Use these dimensions and clearance instructions for planning purposes only. For detailed installation instructions, refer to installation guide, packed with product, or on the web at electroluxappliances.com.

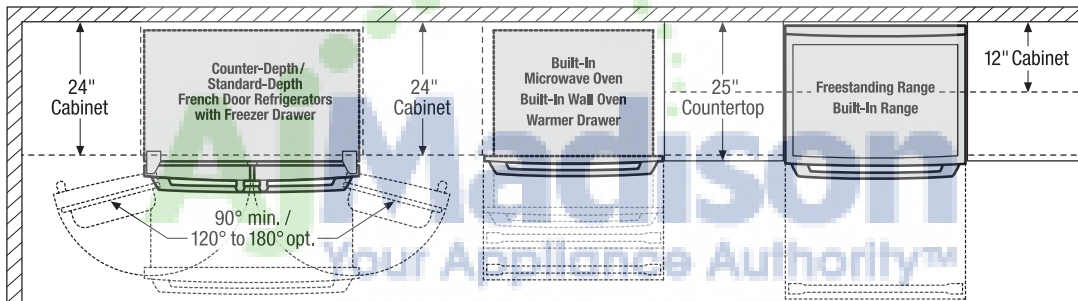
Front



When installing appliances adjacent to each other, 20" minimum distance between each appliance required.

When installing built-in cooking appliances in combination, 2" minimum visible gap between appliance faceplates required.

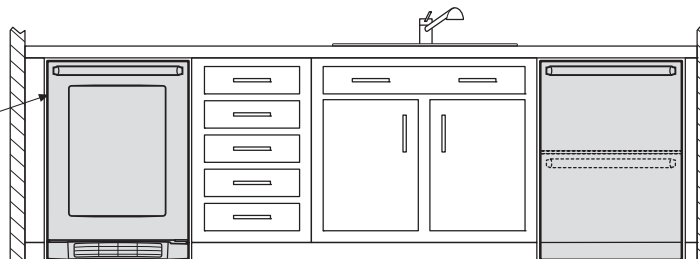
Top



When installing refrigerator adjacent to wall, cabinet or another appliance that extends beyond front edge of unit, 20" minimum clearance recommended to allow for optimum 120° to 180° door swing, providing complete drawer/crisper access and removal.

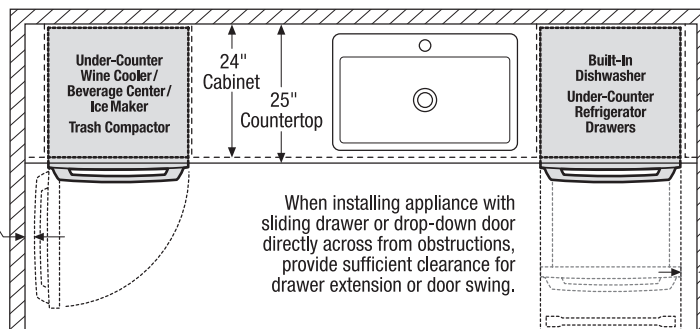
When installing appliance with sliding drawer or drop-down door directly across from obstructions, provide sufficient clearance for drawer extension or door swing.

Front



To ensure optimum performance, avoid installing refrigeration appliances in direct sunlight or near heat source.

Top



When installing appliance with side-swing door adjacent to wall, cabinet, or other obstruction that extends beyond front edge of appliance, door swing and handle clearance must be sufficient to allow access to appliance interior.

When installing appliance with sliding drawer or drop-down door directly across from obstructions, provide sufficient clearance for drawer extension or door swing.

When installing appliance with sliding drawer or drop-down door adjacent to wall, cabinet, or other obstruction that extends beyond front edge of appliance, allow 2" minimum clearance between drawer or door and obstruction.

Electrolux Major Appliances, N.A.

USA • 10200 David Taylor Drive • Charlotte, NC 28262 • 1-877-4electrolux (1-877-435-3287) • electroluxappliances.com
 CANADA • 5855 Terry Fox Way • Mississauga, ON L5V 3E4 • 1-800-265-8352 • electroluxappliances.ca