

30" ELECTRIC SLIDE-IN RANGE INSTALLATION INSTRUCTIONS

United States



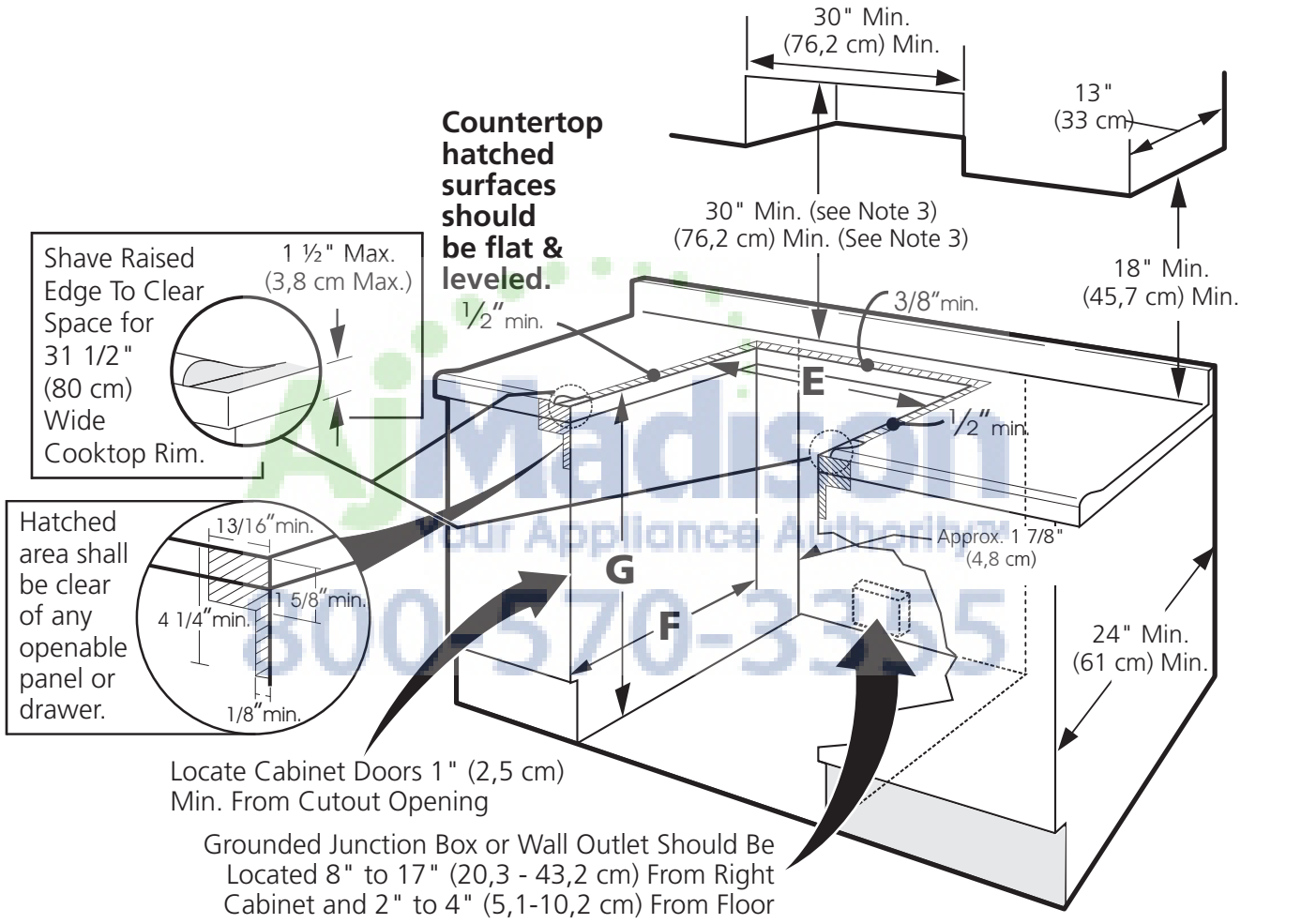
INSTALLATION AND SERVICE MUST BE PERFORMED BY A QUALIFIED INSTALLER.
IMPORTANT: SAVE FOR LOCAL ELECTRICAL INSPECTOR'S USE.
READ AND SAVE THESE INSTRUCTIONS FOR FUTURE REFERENCE.

Canada



! WARNING FOR YOUR SAFETY: Do not store or use gasoline or other flammable vapors and liquids in the vicinity of this or any other appliance.

***For existing 29" (73,7 cm) cutout wide opening, you must call the Service Center for optional thinner side trims. Also you must prepare the countertop edge as shown in the "Countertop Preparation" section (see page 8).



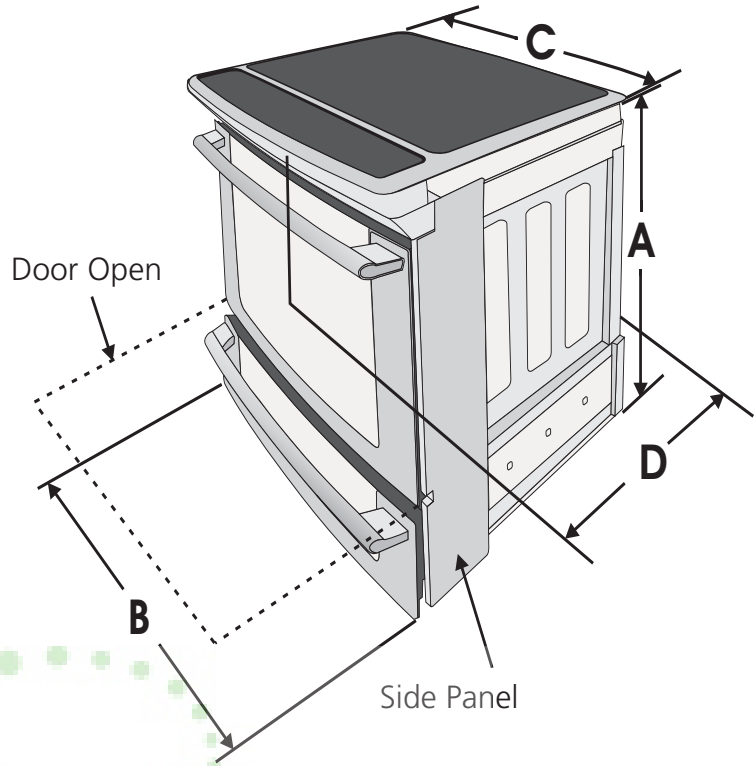
! WARNING Do not install the unit in the cabinet before reading next two pages.

A. HEIGHT (Under Cooktop)	B. WIDTH	C. COOKTOP WIDTH	D. TOTAL DEPTH TO FRONT OF RANGE	E. CUTOUT WIDTH*** (Countertop and cabinet)	F. CUTOUT DEPTH	G. HEIGHT OF COUNTERTOP
35 3/4" (90,8 cm) 36 5/8" (93 cm)	30" (76,2 cm)	31 1/2" (80 cm)	28 5/16" (71,9 cm)	30±1/16" (76,2±0,15 cm)	21 3/4" (55,2 cm) Min. 22 1/8" (56,2 cm) Max 24" (61 cm) Min. with backguard	35 3/4" (90,8 cm) Min. 36 5/8" (93 cm) Max.

30" ELECTRIC SLIDE-IN RANGE INSTALLATION INSTRUCTIONS

NOTE:

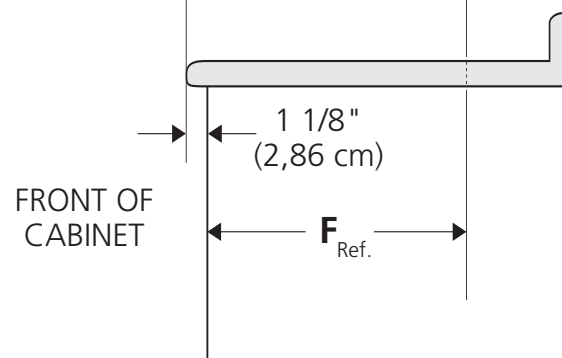
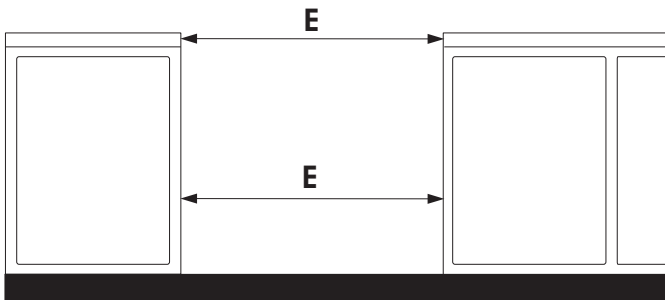
1. Do not pinch the power supply cord or the flexible gas conduit between the range and the wall.
2. Do not seal the range to the side cabinets.
3. 24" (61 cm) minimum clearance between the cooktop and the bottom of the cabinet when the bottom of wood or metal cabinet is protected by not less than ¼" (0,64 cm) flame retardant millboard covered with not less than No. 28 MSG sheet metal, 0,015" (0,4 mm) stainless steel, 0,024" (0,6 mm) aluminum, or 0,020" (0,5 mm) copper. 30" (76,2 cm) minimum clearance when the cabinet is unprotected.
4. For cutouts below 22 7/8" (58,1 cm), appliance will slightly show out of the cabinet.
5. Allow at least 19 ¼" (48,9 cm) clearance for door depth when it is open.



***** IMPORTANT: To avoid cooktop breakage for cutout width (E dimension) of more than 30 1/16" (76,4 cm), make sure the appliance is centered in the counter opening while pushing into it. Raise leveling legs and the rear adjustable wheels at a higher position than the cabinet height (see page 3), insert the appliance in the counter and then level. Make sure the unit is supported by the leveling legs at the front and the wheels at the back and NOT by the cooktop itself.**

22 7/8" (58,1 cm) min.
23 1/4" (59,05 cm) max.
(see Note 4)

IMPORTANT: Cabinet and countertop width should match the cutout width.



A. HEIGHT (Under Cooktop)	B. WIDTH	C. COOKTOP WIDTH	D. TOTAL DEPTH TO FRONT OF RANGE	E. CUTOUT WIDTH*** (Countertop and cabinet)	F. CUTOUT DEPTH	G. HEIGHT OF COUNTERTOP
35 3/4" (90,8 cm) 36 5/8" (93 cm)	30" (76,2 cm)	31 1/2" (80 cm)	28 5/16" (71,9 cm)	30±1/16" (76,2±0,15 cm)	21 3/4" (55,2 cm) Min. 22 1/8" (56,2 cm) Max 24" (61 cm) Min. with backguard	35 3/4" (90,8 cm) Min. 36 5/8" (93 cm) Max.

30" ELECTRIC SLIDE-IN RANGE INSTALLATION INSTRUCTIONS

To avoid breakage: Do NOT handle or manipulate the unit by the cooktop.

1

The counter-top around the cut-out should be flat and leveled (see hatched area on illustration 1).

2

Before installing the unit, measure the heights of the two (2) cabinet sides (H1-4), front and back (see illustration 1) from the floor to the top of the counter.

3

Level the range using the two (2) front leveling legs and the two (2) adjustable leveling wheel, so that the height from the floor to the underside of the metal flange is greater than the tallest cabinet measurement by at least 1/16" (see illustration 2).

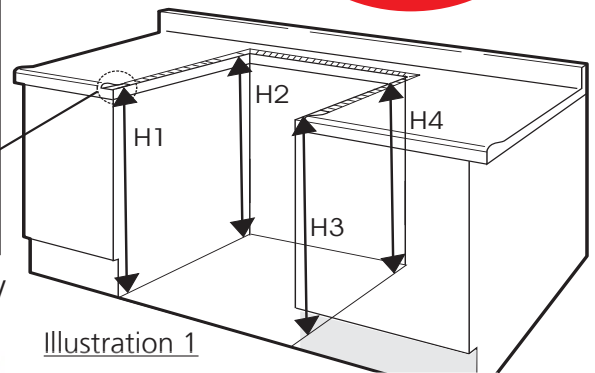
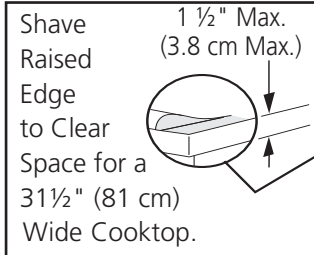


Illustration 1

4

Remove and discard the two rear leveling legs, they are only in place to solidify the unit for the transport.

5

Slide the unit into the cabinet. Make sure the center of the unit is aligned with the center of the cabinet cut-out.

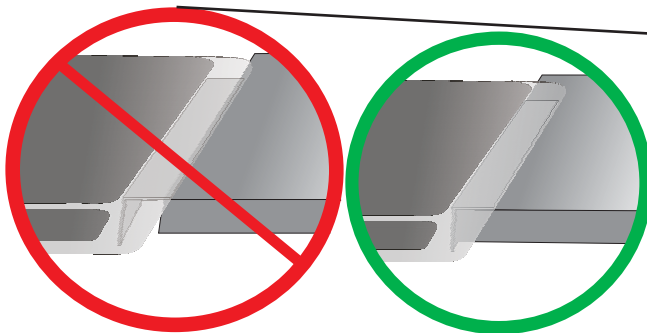
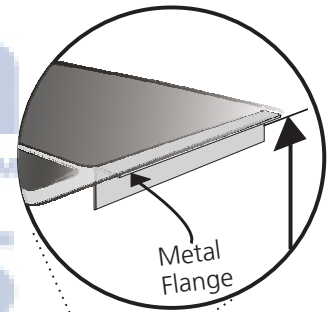
6

Remove the protective channels on each side of the cooktop (if provided).

7

The metal flange under each side of the cooktop **MUST** be placed over the cabinet countertop for proper unit support.

The cooktop should **NOT** rest directly on the countertop (see illustration 2) or else it could cause damage to the cooktop voiding the warranty. Level the unit if needed.



8

After the installation, **MAKE SURE** that the unit is supported by the two front leveling legs and the two adjustable leveling wheels and **NOT** by the cooktop.

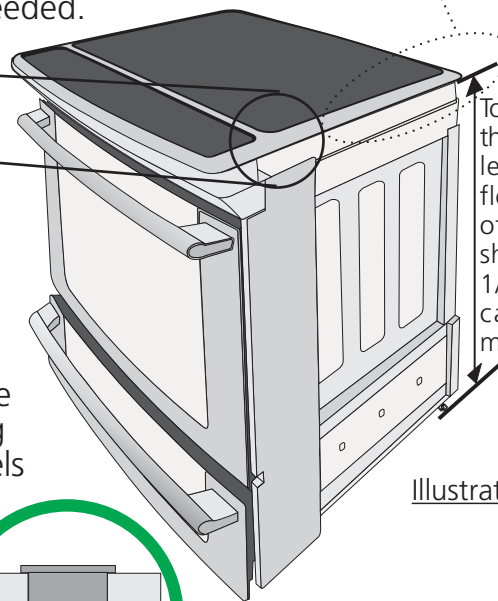
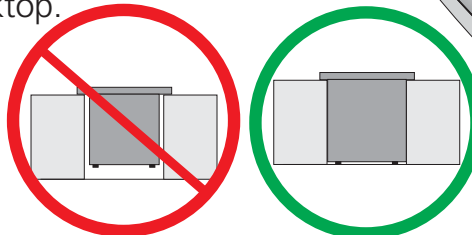


Illustration 2

30" ELECTRIC SLIDE-IN RANGE INSTALLATION INSTRUCTIONS

Important Notes to the Installer

1. Read all instructions contained in these installation instructions before installing range.
2. Remove all packing material from the oven compartments before connecting the electrical supply to the range.
3. Observe all governing codes and ordinances.
4. Be sure to leave these instructions with the consumer.

Important Note to the Consumer

Keep these instructions with your Owner's Guide for the local electrical inspector's use and future reference.

IMPORTANT SAFETY INSTRUCTIONS

⚠ CAUTION Cold temperatures can damage the electronic control. When using the appliance for the first time, or when the appliance has not been used for an extended period of time, be certain the unit has been in temperatures above 32°F (0°C) for at least 3 hours before turning on the power to the appliance.

- Be sure your range is installed and grounded properly by a qualified installer or service technician.
- This range must be electrically grounded in accordance with local codes or, in their absence, with the National Electrical Code ANSI/NFPA No. 70—latest edition in United States or with CSA Standard C22.1, Canadian Electrical Code, Part 1 in Canada.
- The installation of appliances designed for manufactured (mobile) home installation must conform with Manufactured Home Construction and Safety Standard, title 24CFR, part 3280 [Formerly the Federal Standard for Mobile Home Construction and Safety, title 24, HUD (part 280)] or when such standard

⚠ WARNING Tip Over Hazard



- A child or adult can tip the range and be killed.
- Verify the anti-tip device has been installed to floor or wall.

- Ensure the anti-tip device is re-engaged to floor or wall when the range is moved.
- Do not operate the range without the anti-tip device in place and engaged.
- Failure to follow these instructions can result in death or serious burns to children and adults.



To check if the anti-tip bracket is installed properly, use both arms and grasp the rear edge of range back. Carefully attempt to tilt range forward. When properly installed, the range should not tilt forward.

is not applicable, the Standard for Manufactured Home Installation 1982 (Manufactured Home Sites, Communities and Setups), ANSI Z225.1/NFPA 501A—latest edition, or with local codes in United States and with CAN/CSA-Z240 MH in Canada.

- **Make sure the wall coverings around the range can withstand the heat generated by the range.**
- **Before installing the range in an area covered with linoleum or any other synthetic floor covering, make sure the floor covering can withstand heat at least 90°F (32.2°C) above room temperature without shrinking, warping or discoloring.** Do not install the range over carpeting unless you place an insulating pad or sheet of ¼" (0.64 cm) thick plywood between the range and carpeting.

⚠ WARNING Never leave children alone or unattended in the area where an appliance is in use. As children grow, teach them the proper, safe use of all appliances. Never leave the oven door open when the range is unattended.

⚠ WARNING Stepping, leaning or sitting on the door or drawer of this range can result in serious injuries and can also cause damage to the range.

- Do not store items of interest to children in the cabinets above the range. Children could be seriously burned climbing on the range to reach items.
- To eliminate the risk of burns or fire by reaching over heated surface units, cabinet storage space above the surface unit should be avoided. If cabinet storage is to be provided the risk can be reduced by installing a range hood that project horizontally a minimum of 5 inches beyond the bottom of the cabinet.
- Do not use the oven as a storage space. This creates a potentially hazardous situation.
- Never use your range for warming or heating the room. Prolonged use of the range without adequate ventilation can be dangerous.
- Do not store or use gasoline or other flammable vapors and liquids near this or any other appliance. Explosions or fires could result.
- Reset all controls to the "off" position after using a programmable timing operation.

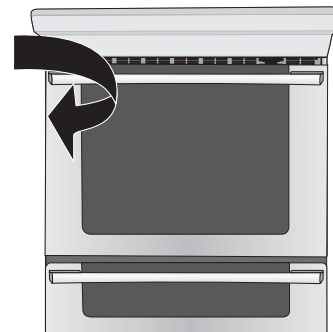
FOR MODELS WITH SELF-CLEAN FEATURE:

- Remove oven racks, broiler pan, food and other utensils before self-cleaning the oven. Wipe up excess spillage. Follow the precleaning instructions in the Owner's Guide.

Serial Plate Location

You will find the model and serial number printed on the serial plate. The serial plate is located as shown.

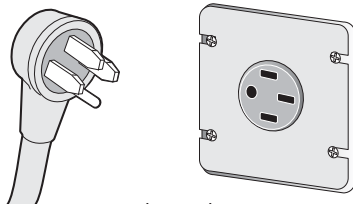
Remember to record the serial number for future reference.



30" ELECTRIC SLIDE-IN RANGE INSTALLATION INSTRUCTIONS

1. Factory Connected Power Supply Cord (Canada only)

This range is equipped with a factory-connected power cord (see Figure 1). Cord must be connected to a grounded 120/240 volt or 120/208 volt range outlet. If no outlet is available, have one installed by a qualified electrician.



Canada Style
Figure 1

2. Power Supply Cord Kit (U.S.A.)

The user is responsible for connecting the power supply cord to the connection block located behind the back panel access cover.

This appliance may be connected by means of permanent "hard wiring"; flexible armored or nonmetallic shielded copper cable (when local code allow it) or by means of a power supply cord kit.

NOTE: Electric Slide-in Range is shipped from factory with 1 1/8" (2.9 cm) dia. hole as shown on figure 4. If a larger hole is required, punch out the knockout.

⚠ WARNING Risk of fire or electrical shock exists if an incorrect size range cord kit is used, the Installation Instructions are not followed, or the strain relief bracket is discarded.

For mobile homes, new installations or recreational vehicles, use only a power supply kit designed for a range at 125V/250V 50A recommended (minimum 40A). Cord must have either 3 (when local code permits grounding through neutral) or 4 conductors. Terminal on end of wires must be either closed loop or open spade lug with upturned ends. Cord must have strain-relief clamp.

⚠ CAUTION Do not loosen the nuts which secure the factory-installed range wiring to terminal block while connecting range. Electrical failure or loss of electrical connection may occur.

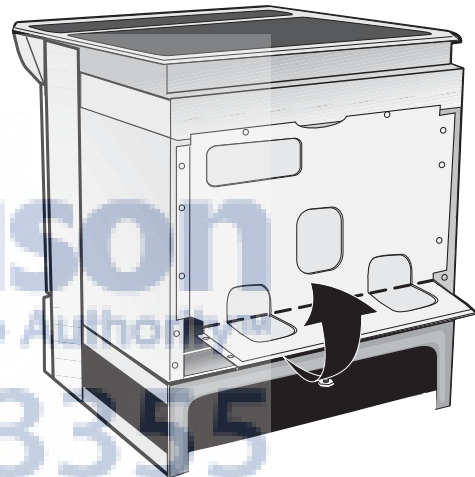
⚠ WARNING

Electrical Shock Hazard

- Electrical ground is required on this appliance.
- Do not connect to the electrical supply until appliance is permanently grounded.
- Disconnect power to the circuit breaker or fuse box before making the electrical connection.
- This appliance must be connected to a grounded, metallic, permanent wiring system, or a grounding connector should be connected to the grounding terminal or wire lead on the appliance.

Failure to do any of the above could result in a fire, personal injury or electrical shock.

3. Access to Terminal Block & Grounding Strap (U.S.A.)



BEND REAR WIRE COVER HERE
FOR ACCESS TO TERMINAL BLOCK

Figure 2

⚠ WARNING This appliance is manufactured with the frame grounded by connection of a grounding strap between the neutral power supply terminal and the frame. If used in USA, in a new branch circuit installation (1996 NEC), mobile home or recreational vehicle, where local code do not permit grounding through neutral (white) wire or in Canada; remove the grounding strap from the frame and cut the other end, near the neutral terminal. Connect the appliance in usual manner.

30" ELECTRIC SLIDE-IN RANGE INSTALLATION INSTRUCTIONS

4. Electrical Connection to the Range (U.S.A.)

Three Conductor Wire Connection to Range

If local codes permit connection of the frame grounding conductor to the neutral wire of the copper power supply cord (see Figure 3):

1. Remove the 3 screws at the lower end of the rear wire cover, then bend the lower end of the rear wire cover (access cover) upward to expose range terminal connection block (see Figure 2).
2. Using the nuts supplied in the literature package, connect the neutral of the copper power supply cord to the center silver-colored terminal of the terminal block, and connect the other wires to the outer terminals. Match wires and terminals by color (red wires connected to the right terminal, black wires connected to the left terminal) (see figure 3).
3. Lower the terminal cover and replace the 3 screws.

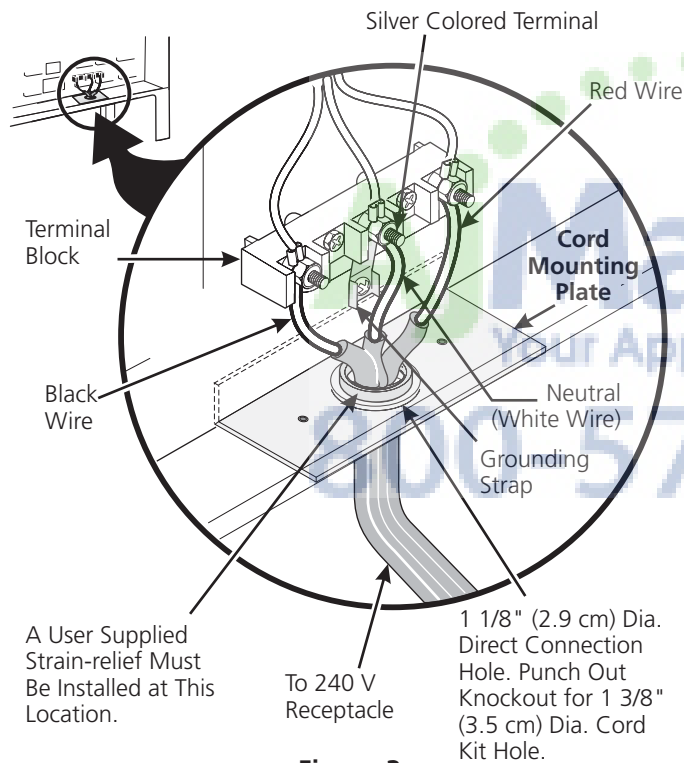
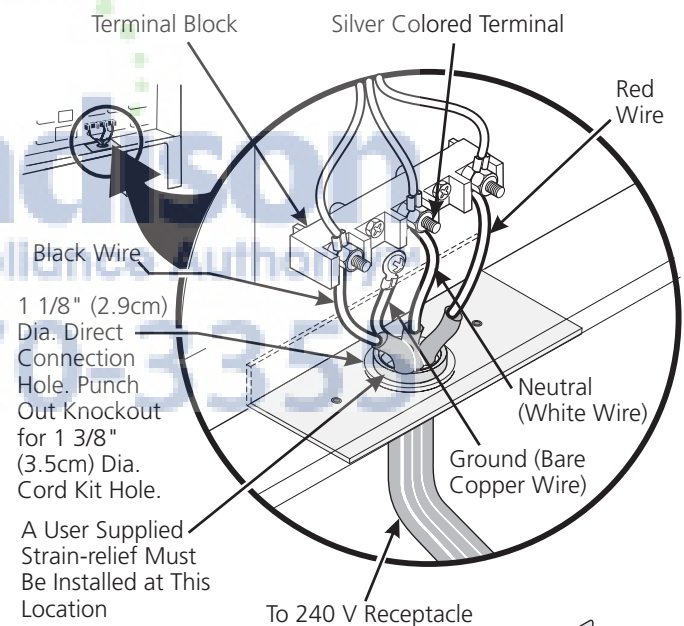


Figure 3

Four Conductor Wire Connection to Range

Where local codes does NOT permit connection of the frame grounding conductor to the neutral wire of the copper power supply cord (see Figure 4):

1. Remove the 3 screws at the lower end of the rear wire cover, then raise the lower end of the rear wire cover (access cover) upward to expose range terminal connection block (see figure 2).
2. Remove the grounding strap from the terminal block and from the appliance frame.
3. Using the nuts supplied with the literature package, connect the ground wire (green) of the copper power supply cord to the frame of the appliance with the ground screw, using the hole in the frame where the ground strap was removed (see Figure 4).
4. Connect the neutral of the copper power supply cord to the center silver-colored terminal of the terminal block, and connect the other wires to the outer terminals. Match wires and terminals by color (red wires connected to the right terminal, black wires connected to the left terminal).
5. Lower the terminal cover and replace the 3 screws.



NOTE: Be sure to remove the supplied grounding strap.

Figure 4

30" ELECTRIC SLIDE-IN RANGE INSTALLATION INSTRUCTIONS

Direct Electrical Connection to the Circuit Breaker, Fuse Box or Junction Box

If the appliance is connected directly to the circuit breaker, fuse box or junction box, use flexible, armored or nonmetallic sheathed copper cable (with grounding wire). Supply a U.L. listed strain-relief at each end of the cable. At the appliance end, the cable goes through the Direct Connection Hole (see Figure 5) on the Cord Mounting Plate. Wire sizes (**copper wire only**) and connections must conform to the rating of the appliance.

Where local codes permit connecting the appliance-grounding conductor to the neutral (white) wire (see Figure 5):

1. Be sure that no power is supplied on the cable from residence.
2. Remove the grounding strap from the terminal block and from the appliance frame.
3. In the circuit breaker, fuse box or junction box:
 - a) Connect the green (or bare copper) wire, the white appliance cable wire, and the neutral (white) wire together.
 - b) Connect the 2 black wires together.
 - c) Connect the 2 red wires together.

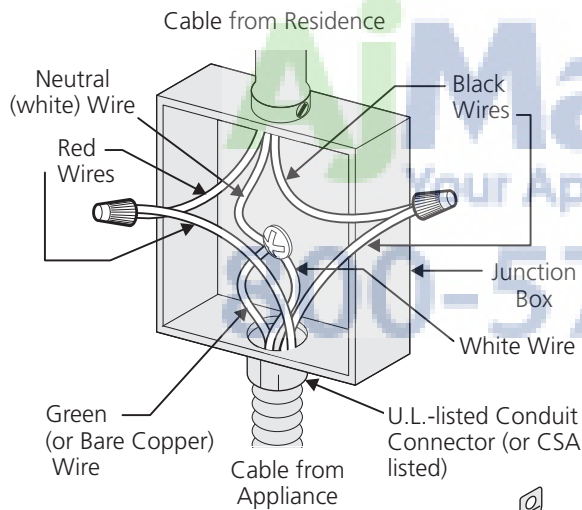


Figure 5

3-Wire (Grounded Neutral) Electrical System (Example: Junction Box)

Where local codes DO NOT permit connecting the appliance-grounding conductor to the neutral (white) wire, or if connecting to 4-wire electrical system (see Figure 6):

1. Be sure that no power is supplied on the cable from residence.
2. Remove the grounding strap from the terminal block and from the appliance frame.
3. In the circuit breaker, fuse box or junction box:
 - a) Connect the white appliance cable wire to the neutral (white) wire.
 - b) Connect the 2 black wires together.
 - c) Connect the 2 red wires together.
 - d) Connect the green (or bare copper) grounding wire to the grounding wire of the circuit breaker, fuse box or junction box.

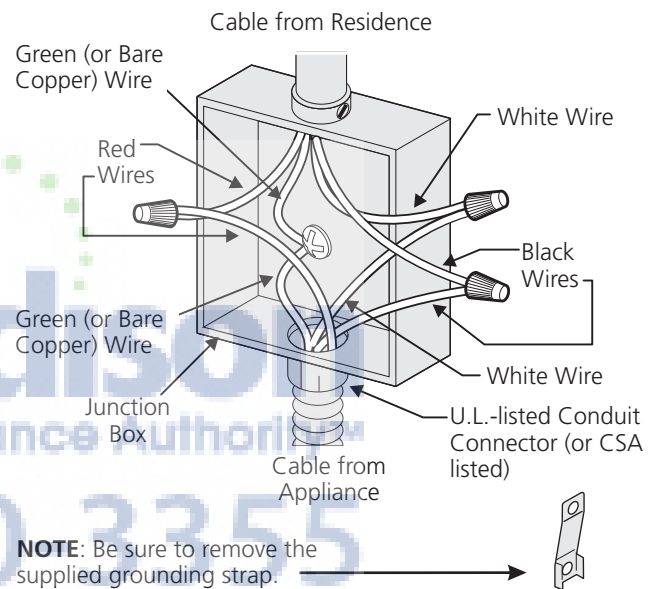


Figure 6 – 4-Wire Electrical System (Example: Junction Box)

30" ELECTRIC SLIDE-IN RANGE INSTALLATION INSTRUCTIONS

4. Cabinet Construction

4.1 **CAUTION** To eliminate the risk of burns or fire by reaching over heated surface units, do not have cabinet storage space above the range. If there is cabinet storage space above range, reduce risk by installing a range hood that projects horizontally a minimum of 5" (12.7 cm) beyond the bottom of the cabinet.

4.2 Countertop Preparation

- The cooktop sides of the range fit over the cutout edge of your countertop.
- If you have a **square finish (flat) countertop**, no countertop preparation is required. Cooktop sides lay directly on edge of countertop.
- **Formed front-edged countertops** must have molded edge shaved flat $\frac{3}{4}$ " (1.9 cm) from each front corner of opening (Figure 7).
- **Tile countertops** may need trim cut back $\frac{3}{4}$ " (1.9 cm) from each front corner and/or rounded edge flattened (Figure 7).

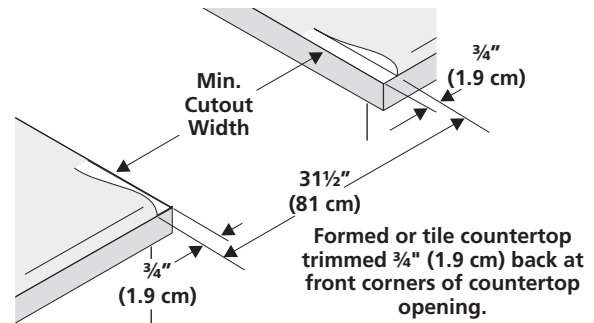


Figure 7

- **If the existing cutout width is greater than $30 \frac{1}{16}$ " (76,4 cm)**, reduce the $\frac{3}{4}$ " (1.9 cm) dimension.
- **Countertop must be level.** Place a level on the countertop, first side to side, then front to back. If the countertop is not level, the range will not be level. The oven must be level for satisfactory baking results. Cooktop sides of range fit over edges of countertop opening

4.3 **IMPORTANT** For existing cutout width of 29" (73.7 cm) :

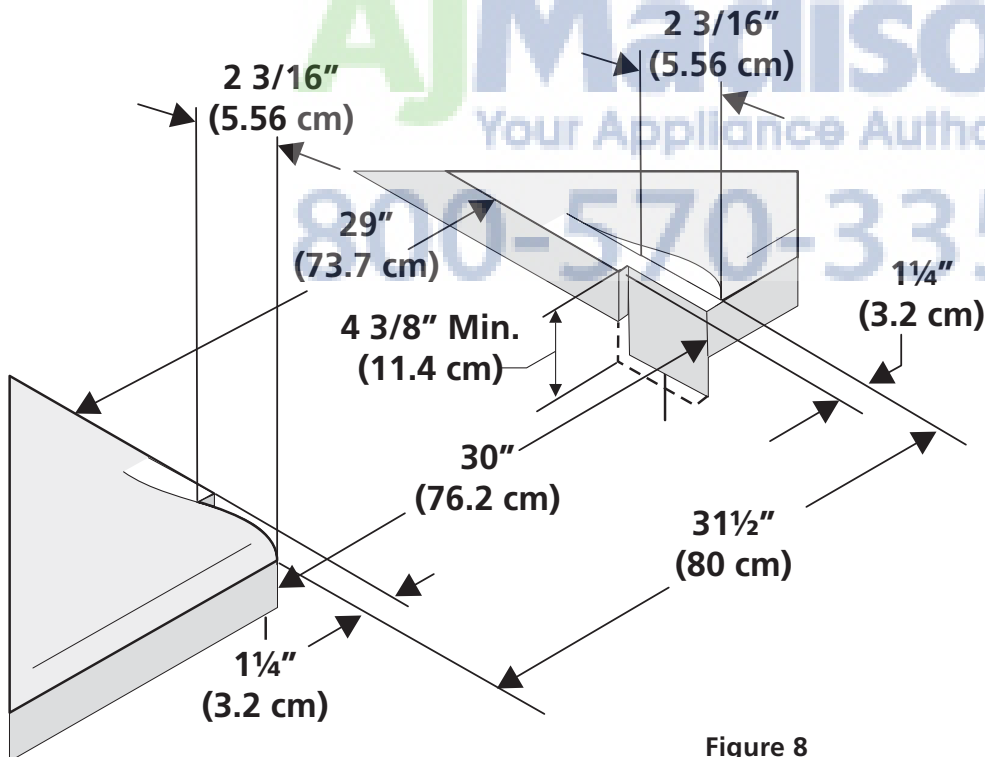


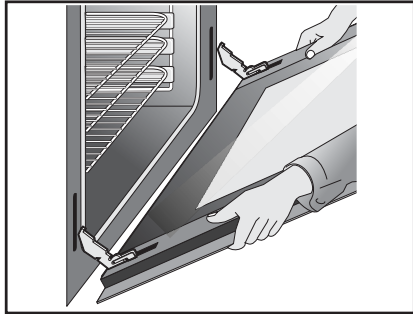
Figure 8

Formed or tile countertop trimmed $\frac{1}{4}$ " (3.2 cm) back at front corners of countertop opening.

30" ELECTRIC SLIDE-IN RANGE INSTALLATION INSTRUCTIONS

5. Range Installation

Important Note: Door removal is not a requirement for installation of the range, but is an added convenience. Refer to the Use and Care Guide for oven door removal instructions.



Standard Installation

1 The range cooktop overlaps the countertop at the sides and the range rests on the floor. The cooktop is 31½" (80 cm) wide.

Install base cabinets 30" (76.2 cm) apart. Make sure they are plumb and level before attaching cooktop. Shave raised countertop edge to clear 31½" (80 cm) wide range top rim.

3 Install cabinet doors 32" (81.3 cm) min. apart so as not to interfere with range door opening.

4 Cutout countertop exactly as shown on page 1.

5 Make sure the two front leveling legs and the rear leveling wheels (see page 11) are setup higher than the height of the cabinet (shown on page 3).

6 Remove and discard the two rear leveling legs, they are only in place to solidify the unit for the transport.

CAUTION Install the anti-tip bracket at this point before placing the range at its final position.

7 Follow the installation instructions on page 11 or on the anti-tip bracket template supplied with the range.

To provide an optimum installation, the top surface of the countertop must be level and flat (lie on the same plane) around the 3 sides that are adjacent to range cooktop. Proper adjustments to make the top flat should be made or gaps between the countertop and the range cooktop may occur.

CAUTION To reduce the risk of damaging your appliance, do not handle or manipulate it by the cooktop. Manipulate with care.

10 Position range in front of the cabinet opening.

11 Make sure that the underside of the cooktop clears the countertop. If necessary, raise the unit by lowering the front leveling legs and the back leveling wheels.

12 Level the range (see section 6). The floor where the range is to be installed must be level. Follow the instructions under "Leveling the Range".

13 Slide the range into the cutout opening.

IMPORTANT If Accessories Needed :

Installation For 29" Existing Cutout Wide Opening

1. You must replace the actual side trims by new and smaller side trims. These new side trims can be ordered through a Service Center.
2. Follow instructions supplied with your new side trims to replace the actual side trims with the new ones.
3. Check if the countertop and cabinet opening are prepared for 29" cutout wide opening in "Countertop Preparation" section (see page 8).
4. Install range as in the "Installation without side panels" section.

Installation With Backguard

The cutout depth of (21 3/4" (55.2 cm) Min., 22 1/8" (56.2 cm) Max.) needs to be increased to 24" (61 cm) when installing a backguard.

Installation With End Panel

A End Panel kit can be ordered through a Service Center.

Installation With Side Panels

A Side Panels kit can be ordered through a Service Center. Note: Install cabinet doors 32" (81.3 cm) min. apart so as not to interfere with range door opening.

30" ELECTRIC SLIDE-IN RANGE INSTALLATION INSTRUCTIONS

6. Leveling the Range

Models Equipped with Leveling Device

Level the range after installation in the cutout opening.

1. Open the range drawer. The leveling screws control the height of the rear leg.
2. Adjust the appliance legs and wheels as follows until the underside of the cooktop surface is sitting level on the countertop (Figure 9).
 - a. To adjust the front legs, use a wrench on the leg base and turn clockwise to lower or counterclockwise to raise.
 - b. Remove the rear legs using a wrench on the leg base and turn counterclockwise until the legs are removed from the unit. You can discard those legs, they are only in place to solidify the unit for the transport.
 - c. To adjust the rear wheels, use a ratchet or a nutdriver and turn the leveling screws counterclockwise to lower or clockwise to raise.
3. Check if the range is level by installing an oven rack in the center of the oven and placing a level on the rack (Figure 10).
4. Take 2 readings with the level placed diagonally in one direction and then the other. Level the range, if necessary, by adjusting the leveling legs and wheels.
5. If the range cannot be level, contact a carpenter to correct sagging or sloping floor.

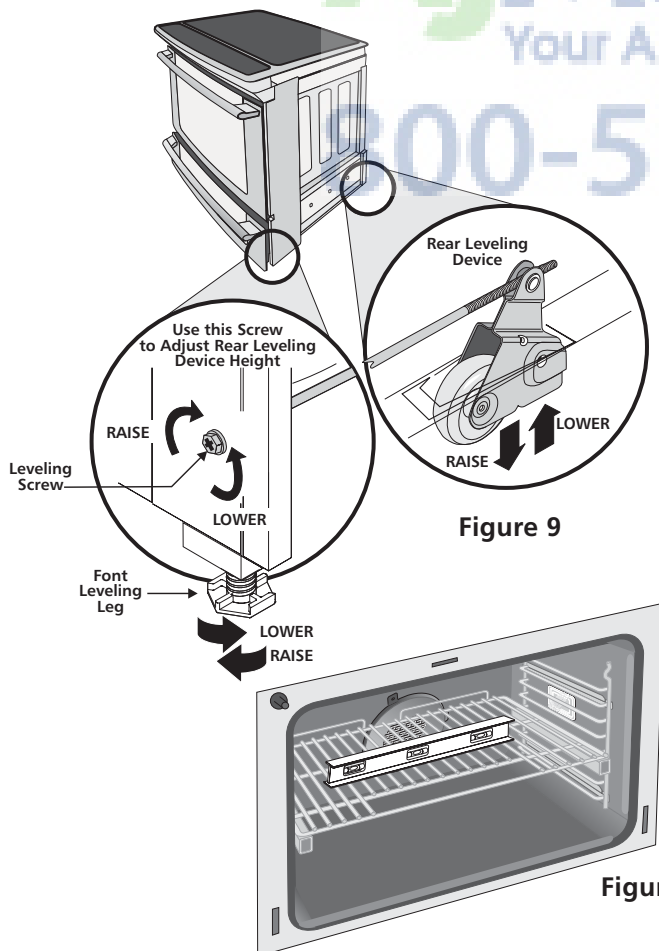


Figure 10

7. Check Operation

Refer to the Use and Care Manual packaged with the range for operating instructions and for care and cleaning of your range.

CAUTION Do not touch the elements. They may be hot enough to cause burns.

Remove all packaging from the oven before testing.

1. Operation of Surface Elements

Turn on each of the four surface elements and check to see that they heat. Check the surface element indicator light(s), if equipped.

2. Operation of Oven Elements

The oven is equipped with an electronic oven control. Each of the functions has been factory checked before shipping. However, it is suggested that you verify the operation of the electronic oven controls once more. Refer to the Use and Care Manual for operation. Follow the instructions for the Clock, Timer, Bake, Broil, Convection (some models) and Clean functions.

Bake—After setting the oven to 350°F (177°C) for baking, the lower element in the oven should become red.

Broil—When the oven is set to BROIL, the upper element in the oven should become red.

Clean—When the oven is set for a self-cleaning cycle, the upper element should become red during the preheat portion of the cycle.

Convection (some models)—When the oven is set to CONV. BAKE/ROAST at 350°F (177°C), both elements cycle on and off alternately and the convection fan will turn. The convection fan will stop turning when the oven door is opened during convection baking or roasting.

Warmer Drawer (some models)—Set the control knob to HI and check to see the drawer is heating.

When All Hookups are Complete

Make sure all controls are left in the OFF position.

Before You Call for Service

Read the Before you call list and operating instructions in your Use and Care Manual . It may save you time and expense. The list includes common occurrences that are not the result of defective workmanship or materials in this appliance.

Refer to the warranty and service information in your Use and Care Manual for our phone number and address. Please call or write if you have inquiries about your range product and/or need to order parts.

30" ELECTRIC SLIDE-IN RANGE INSTALLATION INSTRUCTIONS

8 Anti-Tip Brackets Installation

⚠ WARNING To reduce the risk of tipping of the range, the range must be secured to the floor by properly installed anti-tip bracket and screws packed with the range. These parts are located in the oven. Failure to install the anti-tip bracket will allow the range to tip over if excessive weight is placed on an open door or if a child climbs upon it. Serious injury might result from spilled hot liquids or from the range itself.

Follow the instructions below to install the anti-tip brackets.

If range is ever moved to a different location, the anti-tip brackets must also be moved and installed with the range.

Tools Required:

Adjustable Wrench
Ratchet
Drill & 1/8" (0,32 cm) bit
5/16" (0,8 cm) Nutdriver
Level

The anti-tip bracket attaches to the floor (or back wall) at the back of the range to prevent range from tipping. When fastening bracket to the floor, be sure that screws do not penetrate electrical wiring or plumbing. The screws provided will work in either wood or concrete.

1. Draw a center line (CL) on the floor where the range should be installed. Also draw a line on the floor at the range back position if there is no wall.
2. Unfold paper template and place it flat on the floor with the right rear corner positioned exactly on the intersection of the center and back lines you just drew before. (Use the diagram below to locate brackets if template is not available. (Figure 11))
3. Mark on the floor (or wall) the location of the mounting holes shown on the template. For easier installation, 3/16" (0,48 cm) diameter pilot holes 1/2" (1,27 cm) deep can be drilled into the floor (or wall).
4. Remove template and place bracket on floor. Line up holes in bracket with marks on floor/wall and attach with screws provided. Bracket must be secured to solid floor or wall (Figure 12). If attaching to concrete floor, first drill 3/16" (0,48 cm) dia. pilot holes using masonry drill bit.
5. Be sure the 4 levelling legs are at the highest position they can be.
6. Slide range into place making sure structure of the range is trapped by the anti-tip bracket (Figure 11). Lower the range by adjusting the 4 levelling legs until the underside of the cooktop is sitting level on the countertop. Refer to "Levelling the Range" section.
7. After installation, verify that the anti-tip bracket is engaged by grasping the top rear edge of the range and carefully attempt to tilt it forward to make sure range is properly anchored.

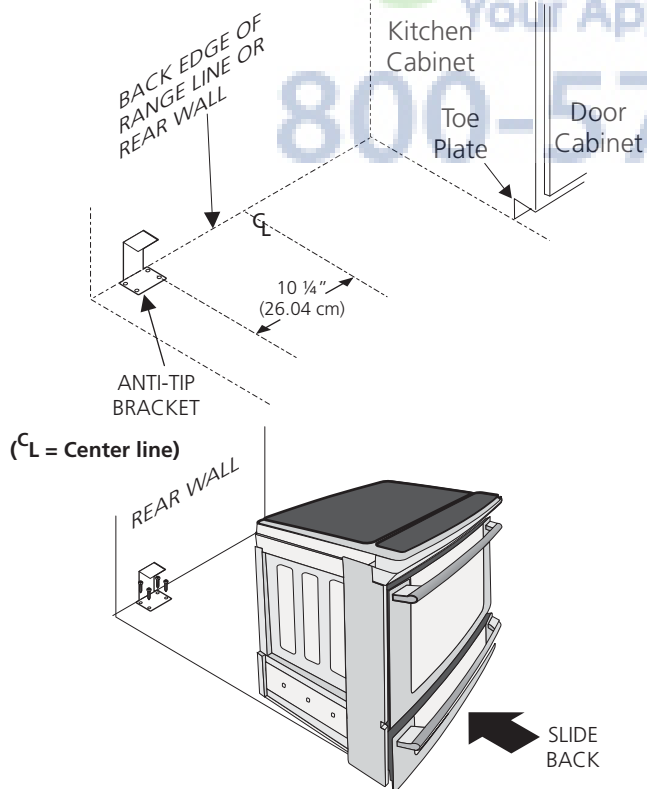


Figure 11

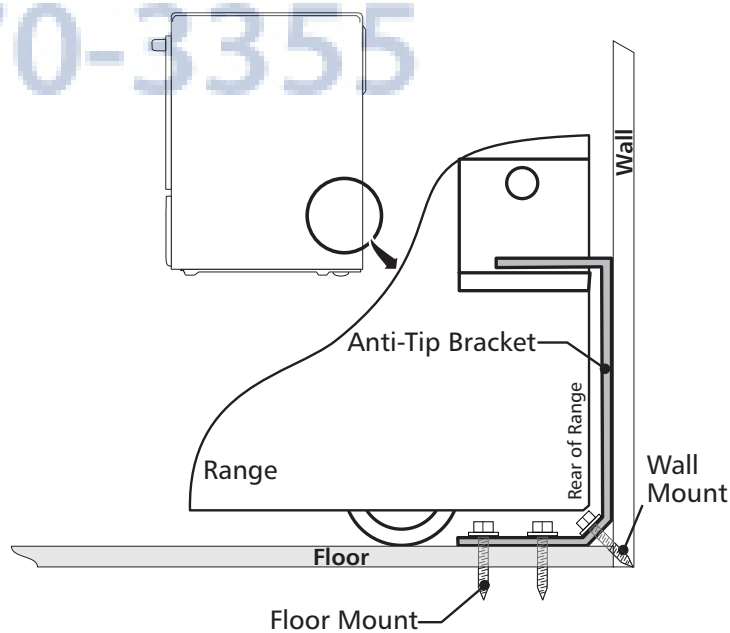


Figure 12

30" ELECTRIC SLIDE-IN RANGE INSTALLATION INSTRUCTIONS

NOTES:



INSTRUCCIONES DE INSTALACIÓN PARA LA ESTUFA ELÉCTRICA DESLIZABLE DE 30"

Estados Unidos



LA INSTALACIÓN Y EL SERVICIO DEBEN SER EFECTUADOS POR UN INSTALADOR CALIFICADO.

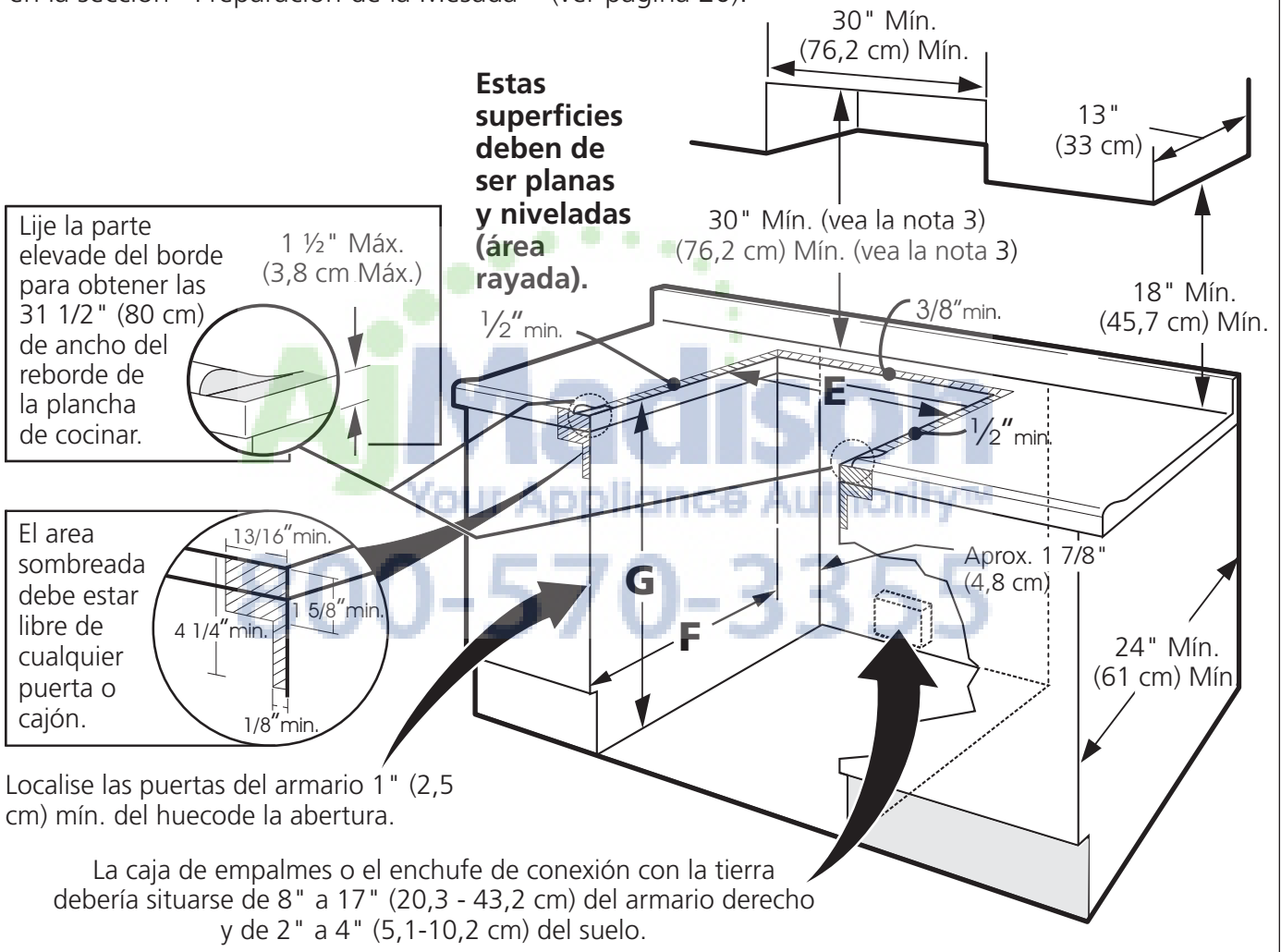
IMPORTANTE: GUARDE ESTAS INSTRUCCIONES PARA USO DEL INSPECTOR LOCAL DE ELECTRICIDAD. LEA Y GUARDE ESTAS INSTRUCCIONES PARA REFERENCIA FUTURA.

Canadá



⚠️ ADVERTENCIA PARA SU SEGURIDAD: No almacee ni utilice gasolina u otros vapores y líquidos inflamables en la proximidad de este o de cualquier otro artefacto.

NOTA: Para la abertura amplia de corte de 29" (73,7 cm), tiene que llamar al Centro de Servicios y solicitar paneles laterales opcionales. Despejar el reborde ancho de la cocina tal como se muestra en la sección "Preparación de la Mesada" (ver página 20).



⚠️ ADVERTENCIA No instale la unidad en el gabinete si no ha leído esta página.

A. ALTURA (Debajo de la cubierta)	B. ANCHURA	C. ANCHURA DE LA PLANCHA DE COCINAR	D. PROFUNDIDAD TOTAL A LA FRENTE DE LA ESTUFA	E. ANCHURA DE RECORTADO*** (encima y armario)	F. PROFUNDIDAD DE RECORTADO	G. ALTURA DEL MOSTRADOR
35 3/4" (90,8 cm) 36 5/8" (93 cm)	30" (76,2 cm)	31 1/2" (80 cm)	28 5/16" (71,9 cm)	30±1/16" (76,2±0,15 cm)	21 3/4" (55,2 cm) Min. 22 1/8" (56,2 cm) Max 24" (61 cm) Min. con un protector trasero.	35 3/4" (90,8 cm) Min. 36 5/8" (93 cm) Max.

INSTRUCCIONES DE INSTALACIÓN PARA LA ESTUFA ELÉCTRICA DESLIZABLE DE 30"

NOTA:

1. No pellizque el cordón eléctrico o el conducto flexible de gas entre la estufa y la pared.
2. No selle la estufa a los armarios de lado.
3. Un espacio mínimo de 24" (61 cm) entre la superficie de la estufa y el fondo del armario cuando el fondo del armario de madera o metal está protegido por no menos de 1/4" (0,64 cm) de madera resistente al fuego cubierta por una lámina metálica de MSG, número 28, 0,015" (0,4 mm) de acero inoxidable, 0,024" (0,6 mm) de aluminio, ó 0,02" (0,5 mm) de cobre.
Un espacio mínimo de 30" (76,2 cm) cuando el armario no está protegido.
4. Para los recortados menos que 22 7/8", el electrodoméstico aparecerá ligeramente en el exterior del armario.
5. Deje por los 19 1/4" (48,9 cm) de espacio libre para la profundidad de la puerta cuando esta abierta.

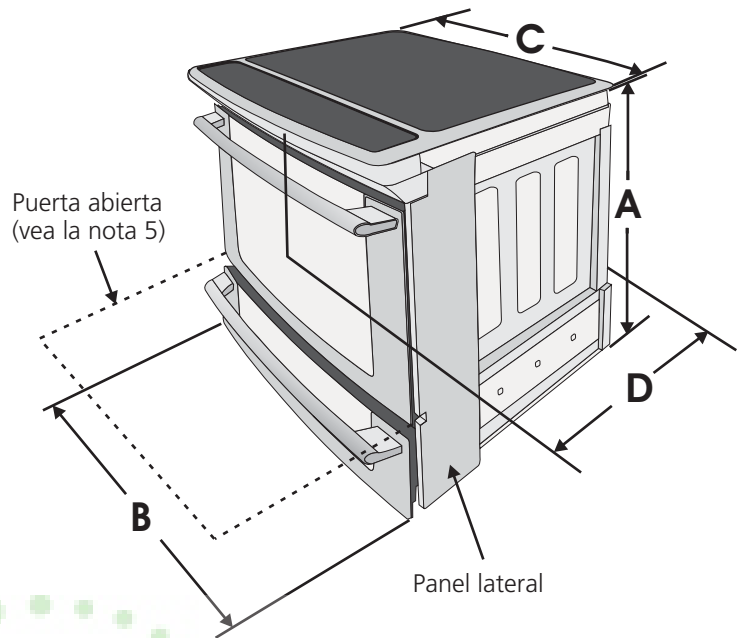
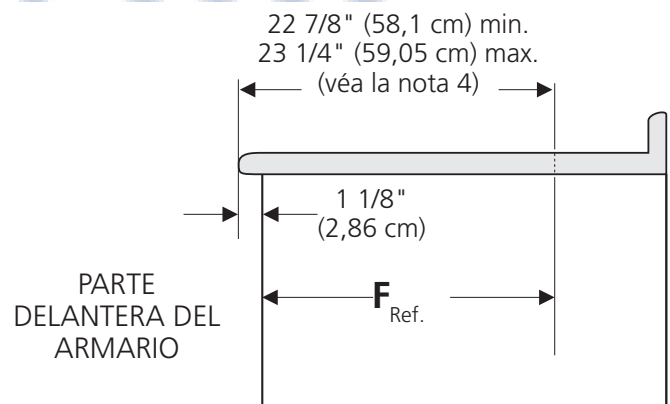
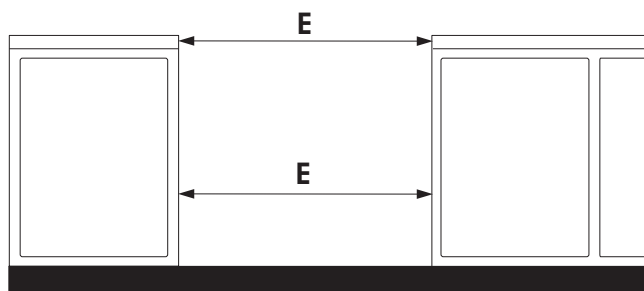


Figura 1

*****IMPORTANTE:** Para el corte a lo ancho (dimensión E) de más de 30 1/16" (76,4 cm) para evitar que se rompa la cubierta, asegúrese que el artefacto esté centrado en la abertura de la mesada mientras lo presiona. Levante las patas ajustables y las ruedas ajustables traseras a una altura mayor a la del mueble (ver página 15), inserte el electrodoméstico dentro del gabinete y después nivélelo. Asegúrese que le unidad este soportada por las patas adelante y por las ruedas en la parte de atrás y NO por la cubierta superior sobre la encimera.

IMPORTANTE: El ancho de la cubierta y el armario debe de ser igual al ancho del corte.



A. ALTURA (Debajo de la cubierta)	B. ANCHURA	C. ANCHURA DE LA PLANCHA DE COCINAR	D. PROFUNDIDAD TOTAL A LA FRENTE DE LA ESTUFA	E. ANCHURA DE RECORTADO*** (encimera y armario)	F. PROFUNDIDAD DE RECORTADO	G. ALTURA DEL MOSTRADOR
35 3/4" (90,8 cm) 36 5/8" (93 cm)	30" (76,2 cm)	31 1/2" (80 cm)	28 5/16" (71,9 cm)	30±1/16" (76,2±0,15 cm)	21 3/4" (55,2 cm) Min. 22 1/8" (56,2 cm) Max 24" (61 cm) Min. con un protector trasero.	35 3/4" (90,8 cm) Min. 36 5/8" (93 cm) Max.

Para evitar fractura de la unidad: NO manipule la unidad sosteniendo la cubierta.



1

La cubierta alrededor del espacio donde usted instalara su unidad debe de estar plana y nivelada. (Vea el área sombreada en la ilustración número 1)

2

Antes de instalar la unidad, mida la altura de los dos (2) lados de los gabinetes (H1-4), frente y parte trasera (vea ilustración 1) del piso a lo alto de la cubierta.

3

Nivele la estufa utilizando las dos (2) patas ajustables delanteras y las dos (2) ruedas ajustables, de manera que la altura del suelo a la parte de abajo del reborde de metal sea de al menos 1/16" (vea ilustración 2).

Lime el borde levantado para dejar espacio para una unidad con un dimension de 31 1/2" (81 cm).

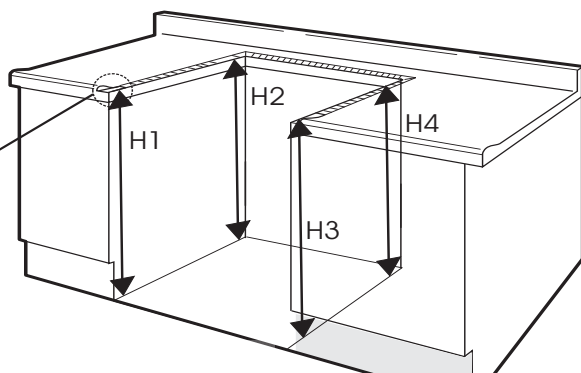
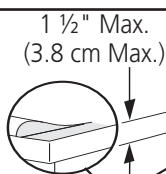


Ilustración 1

4

Quite y deshágase de las dos patas ajustables traseras, solo sirven para sostener la unidad durante el transporte.

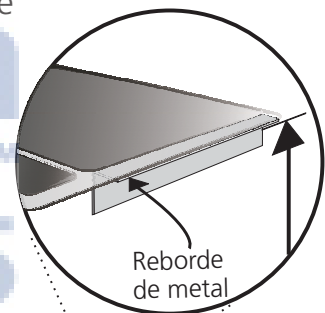
5

Deslice la unidad hacia el gabinete. Asegúrese que la unidad este centrada con el centro de la abertura del gabinete.

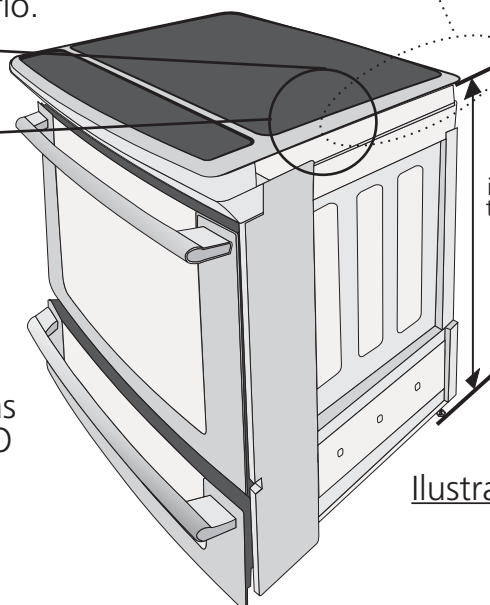
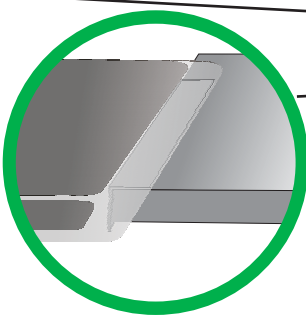
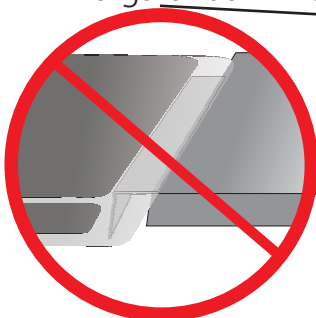
6

Remueva la parte en plástico extruido en cada lado de la cubierta. (Algunos modelos)

Es imprescindible que el reborde de metal que se encuentra debajo de la cubierta este sobre la cubierta del gabinete. La cubierta no deberá tocar directamente la cubierta del gabinete (vea ilustración 2) de no ser asi la fractura de la cubierta anulará la garantía. Nivele la unidad si es necesario.



7

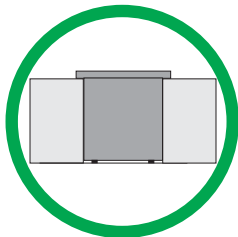
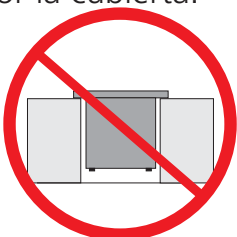


Para instalar exitosamente su estufa, la medida inicial del piso a la superficie interior de la cubierta de vidrio debe ser mayor que la altura del gabinete por lo menos 1/16" como se midió en el paso número 1.

Ilustración 2

8

Después de la instalación, ASEGURESE que la unidad este sostenida por las patas niveladoras y las 2 ruedas ajustables y NO por la cubierta.



INSTRUCCIONES DE INSTALACIÓN PARA LA ESTUFA ELÉCTRICA DESLIZABLE DE 30"

Notas importantes para el instalador

1. Lea todas las instrucciones antes de instalar la cocina.
2. Retire todo material de empaquetado del horno y de la gaveta de entibiado antes de conectar el suministro eléctrico a la cocina.
3. Observe todo código o reglamento.
4. Asegúrese de dejar estas instrucciones con el consumidor

Nota importante para el consumidor

Mantenga estas instrucciones con el manual del usuario para futuras referencias.

INSTRUCCIONES DE SEGURIDAD IMPORTANTES

⚠ ADVERTENCIA Los controles eléctricos pueden ser dañados con frías temperaturas. Cuando utilice su estufa por la primera vez, o si no ha sido utilizada por mucho tiempo asegúrese que no haya sido expuestas a temperaturas más altas que 32°F / 0°C por más de 3 horas antes de conectar su electrodoméstico al suministro eléctrico.

- **Asegúrese que su cocina está instalada y conectada adecuadamente a tierra por un instalador calificado o un técnico de servicio.**
- **Esta cocina debe ser eléctricamente puesta a tierra de acuerdo con los códigos locales o, en su ausencia, con el Código Eléctrico Nacional ANSI/NFPA No. 70—última edición en los Estados Unidos, o el código Eléctrico Canadiense CSA Standard C22.1, Part 1, en Canadá.**
- La instalación de electrodomésticos destinados para casas (movibles) deben conformarse con la Manufactured Home Construction and Safety Standard, título 24CFR, parte 3280 [antiguamente la Federal Standard for Mobile Home Construction and Safety, título 24, HUD (parte 280)] o cuando este código no se aplica, la Standard for Manufactured Home Installation 1982 (Manufactured

⚠ ADVERTENCIA Riesgo de volcamiento



- Un niño o adulto puede volcar la estufa y acabar muerto.
- Verifique que se haya instalado el dispositivo antivuelco en el piso o en la pared.

- Asegúrese de que el dispositivo antivuelco se haya reacomplado cuando mueva la estufa sobre el piso o a la pared.
- No utilice la estufa sin el dispositivo antivuelco instalado y acoplado.
- Si no se siguen estas instrucciones, se puede provocar la muerte o quemaduras graves en niños y adultos.



Para verificar si la fijaciones de anti-inclinación está instalado correctamente, sostenga el borde trasero de la parte trasera de la estufa usando ambos brazos. Intente inclinar la estufa hacia adelante con cuidado. Si está instalada correctamente, la estufa no debería inclinarse hacia adelante.

Home sites, communities and setups); ANSI Z225.1/NFPA 501A- última edición o con códigos locales en los Estados Unidos, o el CAN/CSA-Z240 MH en Canadá.

- **Asegúrese que el empapelado de pared alrededor de la cocina pueda resistir el calor generado por la cocina.**
- **Antes de instalar la cocina en una área cubierta de linóleo o cualquier otro revestidor de piso sintético, asegúrese que éste pueda resistir al menos 90°F (32.2°C) sobre la temperatura de la pieza sin encogerse, ladearse o descolorirse.** No instale la cocina encima de una alfombra a menos que coloque una placa de aislamineto o una plancha de ¼" (0.64 cm) de madera entre la cocina y el alfombrado.

⚠ ADVERTENCIA Nunca deje a los niños solos o sin cuidado en el área donde el electrodoméstico está en uso. A medida que los niños crezcan, enséñeles el uso adecuado de los electrodomésticos. Nunca deje la puerta del horno abierta cuando la cocina esté sin supervisión.

⚠ ADVERTENCIA Pisar, apoyarse o sentarse en las puertas o los cajones de la cocina pueden causar graves heridas y también dañar la cocina.

- **No coloque cosas que atraigan a los niños sobre los gabinetes encima de la cocina.** Los niños podrían sufrir quemaduras tratando de alcanzarlos.
- **Para evitar riesgos de quemaduras o incendios al tocar superficies calientes, se deben evitar los armarios sobre la superficie de los quemadores.** Si existe un armario, se pueden reducir los riesgos instalando una campana que se extienda horizontalmente en un mínimo de 5" por sobre la parte inferior de los armarios.
- **No use el horno como espacio de almacenamiento.** Esto crea una situación muy peligrosa.
- **Nunca use su cocina para calentar la pieza.** El uso prolongado de la cocina sin ventilación adecuada puede ser peligroso.
- **No guarde o use gasolina u otros vapores inflamables y líquidos cerca de éste o cualquier otro electrodoméstico.** Esto podría causar una explosión o un incendio.
- **Vuelva a programar todos los controles a la posición "off" (apagado) después de haber utilizado el conteo contador automático.**

PARA LOS MODELOS CON AUTO-LIMPIEZA:

- **Retire la parrilla, el rostisador, la comida y otros utensilios antes de auto-limpiar el horno.** Limpie todo exceso de derrames. Siga las instrucciones para la pre-limpieza en el Manual del usuario.

UBICACIÓN DE LA PLACA DE SERIE

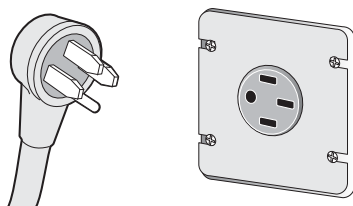
Encontrará el modelo y el número de serie impresos en la placa de serie. Vea la ilustración para conocer su ubicación exacta.

Asegúrese de tomar nota del número de serie para futura referencia.



1. Cordón de fuente de energía conectado de fábrica (Canadá solamente)

Esta estufa viene de fábrica equipada con un cordón de fuente de energía (vea a la figura 1). El cordón debe de ser conectado a una toma de corriente a tierra de 120/240 voltios o de 120/208 voltios. Si no hay una toma de corriente a tierra en la habitación, debe de ser instalada por un técnico calificado.



Estilo Canadá
Figura 1

2. Estuche de cable del suministro eléctrico (U.S.A.)

El utilizador es responsable de la conexión del cable del suministro eléctrico al bloque de conexión situado detrás del panel de acceso.

El electrodoméstico se puede conectar a través de un cableado permanente "cableado duro"; cable de cobre blindado armado o cable no-metálico flexible (cuando el código local lo permite) o por medio de un kit de cable de alimentación.

NOTA: La cocina corrediza eléctrica viene de fábrica con un agujero de diámetro 1 1/8" (2.9 cm) como se muestra en la figura 4. Si un agujero mas largo está necesario retire la arandela de la pre-cortada.

⚠ ADVERTENCIA El riesgo de fuego o de choque eléctrico puede aparecer si usa el tamaño de cable incorrecto, si las instrucciones de instalación no son seguidas o si retira la abrazadera de releva.

Para casas sobre ruedas, nuevas instalaciones, en los vehículos de recreativos o en las lugares donde los códigos locales no permiten la conexión del conductor de tierra al neutro, un ensamble de suministro eléctrico de 3 (cuando codigos locales permitan conexión a tierra) o 4 conductores para estufas, calificado a 125/250 voltios mínimo, 50 Amperes recomendados (40 Amperes mínimo) debe de ser utilizad. La terminal en el fin de alambres o debe ser cerrado lazo o abre oreja de pala con fines levantados. La cuerda debe tener abrazadera de alivio de esfuerzo.

⚠ PRECAUCION No desajuste las tuercas que aseguran la conexión de la cocina al bloque terminal cuando esté instalándola. El corte o la pérdida de corriente eléctrica puede ocurrir.

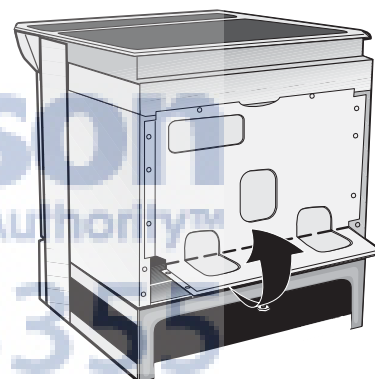
⚠ ADVERTENCIA

Peligro de choque eléctrico

- La conexión a tierra es requerida para este electrodoméstico.
- No conecte al suministro eléctrico hasta que el electrodoméstico este conectado a tierra de manera permanente.
- Desconecte el suministro eléctrico hacia la caja de empalmes antes de hacer la conexión eléctrica.
- Este electrodoméstico debe ser conectado a un sistema de alambres permanentes, metálicos, conectados a tierra o una puesta a tierra debe ser conectada al terminal de tierra o un emplonbado al electrodoméstico.

El no seguir ninguna de estas instrucciones podría causar fuego, heridas personales o choques eléctricos.

3. Acceso a la terminal del bloque y la correa de tierra (E.E. U.U.)



INCLINE AQUÍ LA CUBIERTA DEL ALAMBRE TRASERO PARA TENER ACCESO AL ACOPLAMIENTO ELÉCTRICO

Figura 2

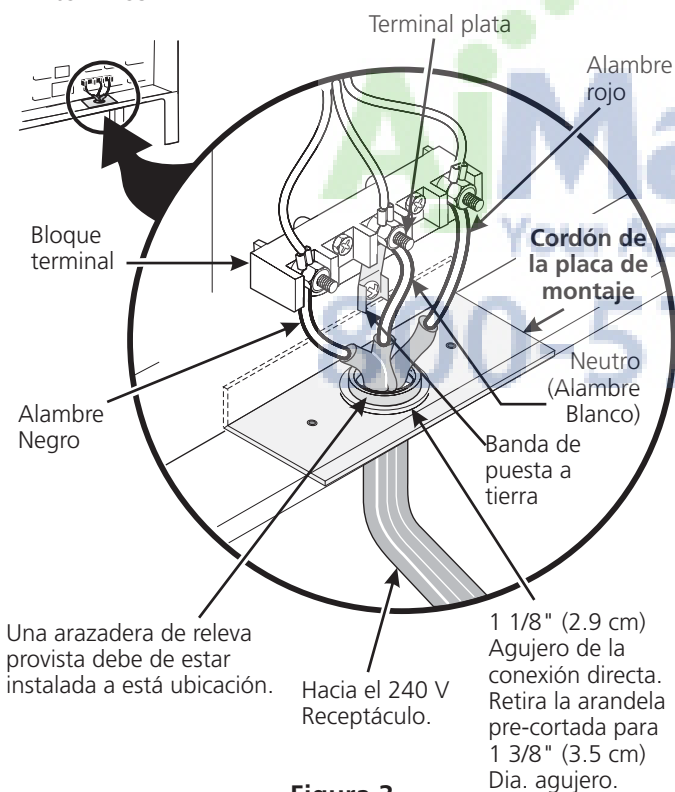
⚠ ADVERTENCIA Este electrodoméstico fue fabricado con el marco aterrizado a través de una correa de conexión entre el neutral de la fuente de alimentación y el marco. Si es utilizado en los E.E. U.U., con un circuito nuevo de instalación (1996 NEC), en casa sobre ruedas o vehículo recreativo, donde el código local no permite el aterrizaje a través del cable neutro (blanco) o en Canadá; remueva la correa de aterrizaje del marco y corte el otro extremo, cerca de la terminal de neutral. Conecte el electrodoméstico de la forma usual.

4. Conexión eléctrica a la cocina (Estados Unidos)

Conexión del cable a tres alambres la cocina

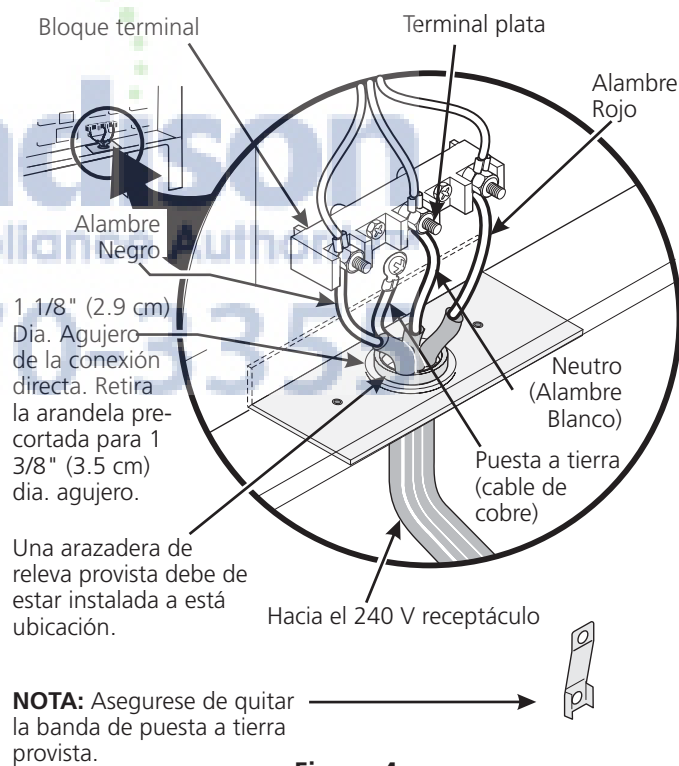
Si los códigos locales permiten la conexión del conductor a tierra del armazón al alambre neutral del cable de bronce del suministro eléctrico (vea figura 3).

1. Retire los 3 tornillos de la parte baja de la cubierta del cable trasero (cubierta de acceso), luego levante la cubierta hacia arriba para tener acceso al bloque de conexión del borne terminal (vea figura 2).
2. Utilizar los tuercas suministraron en el paquete de la literatura para conectar la parte neutral del cable de bronce de suministro eléctrico al terminal plateado que se encuentra al centro del bloque terminal y, conectar los otros alambres a los terminales externos. Aparee los alambres y los terminales según el color (alambres rojos conectados al terminal derecho, alambres negros conectados al terminal izquierdo) (vea figura 3).
3. Baje la cubierta del terminal y vuelva al colocar los 3 tornillos.



Conexión del cable de cuatro conductores a la cocina.

1. Retire los 3 tornillos de la parte baja de la cubierta del cable trasero, luego levante la cubierta hacia arriba para tener acceso (cubierta de acceso) al bloque de conexión del borne terminal (vea figura 2).
2. Retire la correa de la base del bloque terminal y del armazón del electrodoméstico. Retenga el tornillo de la base.
3. Utilizar los tuercas suministraron en el paquete de la literatura para conectar el alambre de tierra (verde) del cable de bronce del suministro eléctrico al armazón del electrodoméstico con el tornillo de la base, usando el hoyo del armazón por donde retiró la correa de la base (vea figura 4).
4. Conecte el alambre neutral (blanco) del cable de cobre del suministro eléctrico al terminal plateado del centro del bloque terminal y, conecte los otros alambres a los terminales externos.
5. Baje la cubierta del terminal y vuelva al colocar los 3 tornillos.



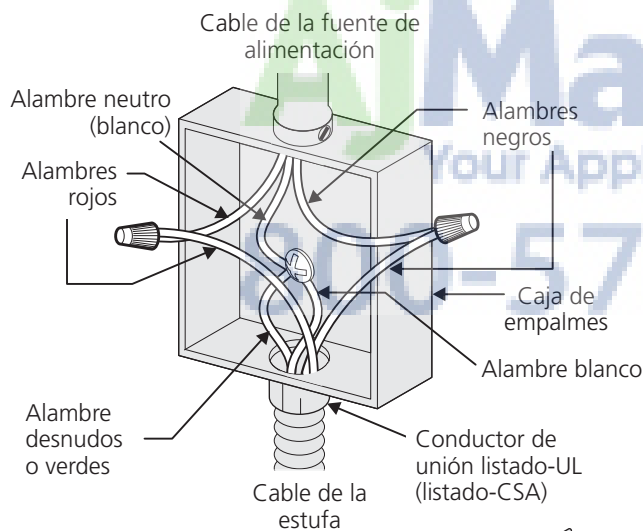
INSTRUCCIONES DE INSTALACIÓN PARA LA ESTUFA ELÉCTRICA DESLIZABLE DE 30"

Conexión eléctrica directa al cortacircuito, a la caja de fusibles o la caja de empalmes

Si el aparato está conectado directamente al cortacircuito, a la caja de fusibles o a la caja de empalmes, use un cable blindado flexible o no metálico recubierto de cobre (con alambre a tierra). Provee una abrazadera releva de anclaje homólogo UL a cada extremidad del cable. A la extremidad del electrodoméstico, el cable pase a través del agujero de la conexión directa (ver figura 5) en el cordón de la placa de montaje. El tamaño de los alambres (**alambre de cobre solamente**) y las conexiones deben estar conforme al régimen del electrodoméstico.

Donde los códigos locales permitan conectar el conductor de puesta a tierra del electrodoméstico al neutral (blanco) (vea figura 5):

1. Desconecte el suministro eléctrico.
2. En el cortacircuito, la caja de fusibles o la caja de empalmes:
 - a) Conecte el alambre verde (o cobre desnudo), el alambre blanco del cable del electrodoméstico y el alambre neutral (blanco) juntos.
 - b) Conecte los dos alambres negros juntos.
 - c) Conecte los dos alambres rojos juntos.

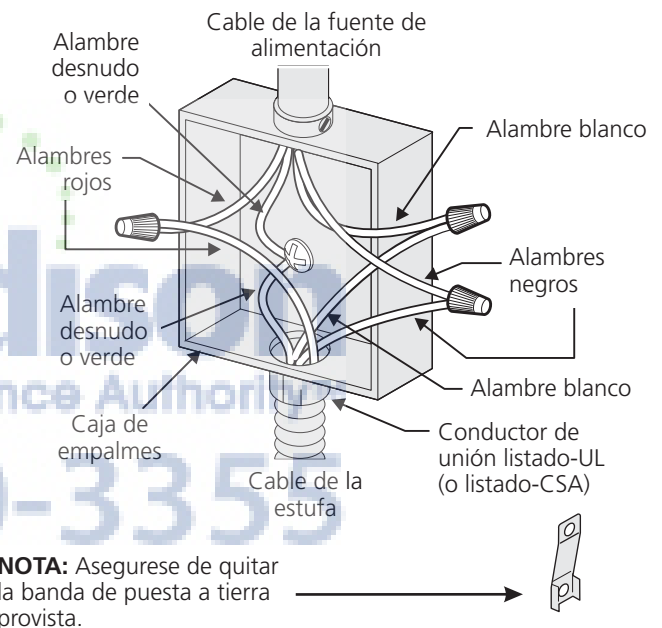


NOTA: Asegurese de quitar la banda de puesta a tierra provista.

Figura 5

Donde los códigos locales NO permitan conectar el conductor de puesta a tierra del electrodoméstico al neutral (blanco), o si está conectado con un sistema a 4 alambres (vea figura 6):

1. Desconecte el suministro eléctrico.
2. Separe el alambre verde (o cobre desnudo) y el alambre blanco del electrodoméstico.
3. En el cortacircuito, la caja de fusibles o la caja de empalmes:
 - a. Conecte el alambre blanco del cable del electrodoméstico al alambre neutral (blanco).
 - b. Conecte los 2 alambres negros juntos.
 - c. Conecte los 2 alambres rojos juntos.
 - d. Conecte el alambre verde (o de cobre desnudo) de la puesta a tierra del alambre al alambre de puesta a tierra del cortacircuito, de la caja de fusibles o de la caja de empalmes.



NOTA: Asegurese de quitar la banda de puesta a tierra provista.

Figura 6

4. Construcción del armario

⚠ PRECAUCIÓN Para eliminar el riesgo de quemaduras o de fuego tratando de alcanzar algo por encima de las zonas calientes, evite de colocar artículos sobre la cocina. Si cree necesitar este espacio, el riesgo puede disminuir si instala un sombrerete que proteja horizontalmente un mínimo de 5" (12.7cm) sobre la base del armario.

Preparación del mostrador

- Las extremidades de la cocina sobrepasan el borde de su mostrador.
- Si tiene un **mostrador con las extremidades cuadradas (planas)**, no se necesita ninguna preparación del mostrador.
- **El reborde de frente de mostradores moldeados** deben tener bordes moldeados a $3/4"$ (1.9cm) a partir de cada extremidad de la apertura (Figura 7).
- **Los mostradores enazulejos** deberán necesitar un recorte de $3/4"$ (1.9 cm) a partir de cada extremidad y/o un borde redondeado aplanado (Figura 7).

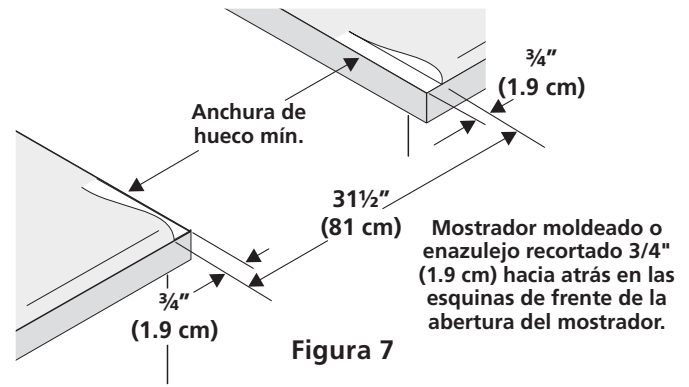


Figura 7

- **Si el ancho de la apertura del mostrador es más grande que $30 \frac{1}{16}"$ (76,4 cm)**, ajuste a las dimensiones como para el $3/4"$ (1.9).
- **El mostrador deber ser nivelado.** Coloque un nivelador sobre el mostrador, primero de lado a lado y luego del frente hacia atrás. Si el mostrador no está nivelado, la cocina no estará nivelada. El horno debe ser nivelado para tener resultados satisfactorios al hornear. Las extremidades de la plancha de la cocinar sobrepasan los bordes de la apertura del mostrador.

IMPORTANTE: Para la Anchura existente del Recorte de el $29"$ (73.7 cm):

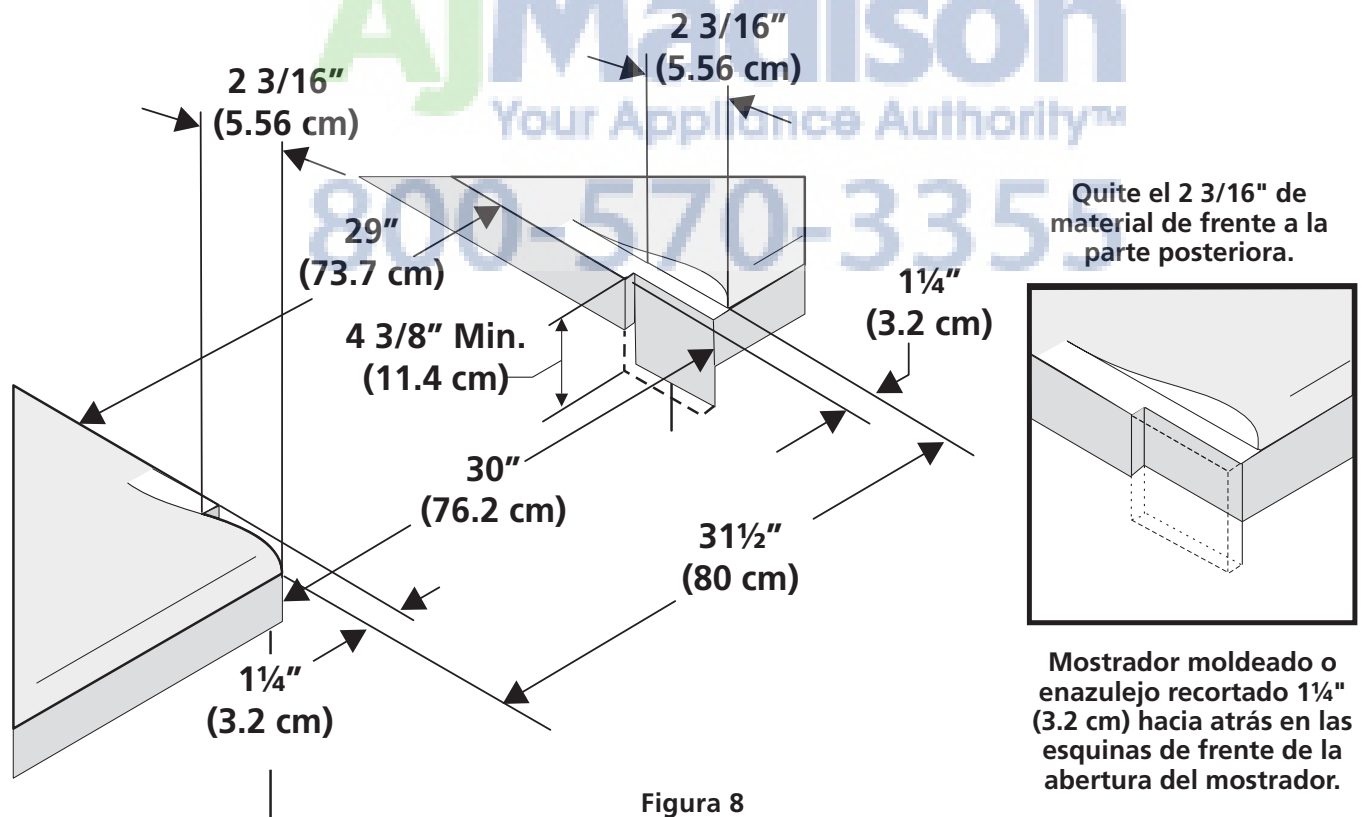
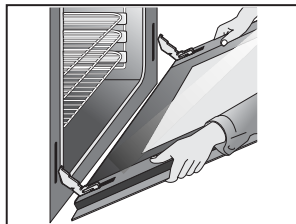


Figura 8

5. Instalación de la estufa

Nota importante: No es necesario, pero sí es conveniente, quitar la puerta para instalar el horno. Consulte las instrucciones para retirar la puerta en la Guía de Uso y Cuidado.



Instalación sin panel(es) lateral(es).

1 La plancha de cocinar se sobrepone por encima del mostrador con sus extremidades y la cocina reposa sobre el suelo. La plancha de cocinar es 31 1/2" (80 cm) de ancho.

2 Instale la base de los armarios a 30" (76.2 cm) de espacio entre ellas. Asegúrese que estos estén verticales y alineados antes de instalar la plancha de cocinar. Lije el borde del mostrador para obtener las 31 1/2 (80 cm)" en la parte superior del mostrador.

3 Instale las puertas del armario a 32" (81.3 cm) de espacio entre ellas para que no interfieran con la abertura de la puerta de la cocina.

4 Corte el mostrador exactamente como en la página 13.

5 Asegúrese que las dos patas ajustables de adelante y las ruedas ajustables traseras (ver página 22) están ajustadas a una altura mayor a la del mueble (mostrado en la página 15).

6 Quite y deshágase de las dos patas ajustables traseras, solo sirven para sostener la unidad durante el transporte.

7 **⚠ PRECAUCIÓN** Instale el soporte anti-inclinación de acuerdo a las instrucciones del patrón anti-inclinación (si no lo tiene vea la página 23).

8 Para una instalación óptima, la superficie superior de la cubierta debe estar nivelada y ser plana (sobre el mismo plano) en los 3 lados adyacentes a la c. Se deben hacer los ajustes correspondientes para hacer que la parte superior quede plana, de lo contrario podrán quedar espacios entre la cubierta y la cocina.

9 **⚠ PRECAUCIÓN** Para reducir el riesgo de dañar su artefacto, no lo manipule cerca del vidrio cerámico. Manipúlelo con cuidado.

10 Coloque la cocina enfrente de la abertura del armario.

11 Asegúrese que la parte de abajo de la cubierta libre la superficie del mostrador o encimera. Si es necesario, levante la unidad elevando las patas ajustables delanteras y las ruedas ajustables traseras.

12 **Nivele la cocina** (vea Nivelación de la estufa). El piso donde se instala la cocina debe estar nivelado. Siga las instrucciones "nivelación de la estufa- modelos equipado con las patas niveladoras".

13 Deslice la estufa en la abertura.

Instalación para la Anchura existente del Recorte de el 29"(73.7 cm) :

1. Usted debe substituir los paneles laterales reales por los paneles laterales nuevos y más pequeños. Paneles laterales puede ser pedido con su representante.
2. Siga la fuente de las instrucciones con sus paneles laterales nuevos para substituir los paneles laterales reales por los nuevos.
3. Compruebe si el mostrador está preparado para la abertura amplia del recorte del 29".
4. Instale la estufa para **Instalación sin panel(es) lateral(es)**.

Instalación con un protector trasero

La profundidad del recortado de (21 3/4" (55.2 cm) Min., 22 1/8" (56.2cm) Max.) necesita aumentarse a 24"(61 cm) al instalar un protector trasero.

Instalación con el juego de termino de panel.

Un juego de termino de panel puede ser pedido con su representante.

Instalación con Paneles Laterales

Paneles Laterales puede ser pedido con su representante.

Instale las puertas de los armarios a 32" (81.3 cm) de espacio entre ellas para que no interfieran con la abertura de la puerta de la cocina.

6. Nivelación de la estufa

Nivele la cocina después de haberla instalado en la abertura del mostrador.

1. Abra la gaveta.
2. Ajuste las patas del electrodoméstico y las ruedas como se muestra a seguir hasta que la parte de abajo de la cubierta superior este a nivel de la superficie del mostrador (Figura 9).
 - a. Para ajustar las patas delanteras, utilice una llave inglesa en la base de la pata y gire en sentido de las manecillas del reloj para bajar y en sentido opuesto a las manecillas del reloj para elevar.
 - b. Quite las patas traseras utilizando una llave inglesa en la base y girando en contra de las manecillas del reloj hasta que se salgan las patas de la unidad. Puede deshacerse de esas patas pues solo sirven para sujetar la unidad durante el transporte.
 - c. Para ajustar las ruedas traseras, utilice un trinquete o una herramienta para tuercas huecas y gire los tornillos niveladores en sentido opuesto a las manecillas del reloj para bajar y en sentido de las manecillas del reloj para elevar.
3. Verifique si la cocina está nivelada colocando una parrilla en el centro del horno y poniendo un nivel sobre esta (figura 10).
4. Mida dos veces con el nivel en posición diagonal en una dirección y luego en otra. Nivele la estufa, si es necesario, ajustando las patas y ruedas ajustables.
5. Si al cocina no se nivela, asegúrese que el piso este nivelado.

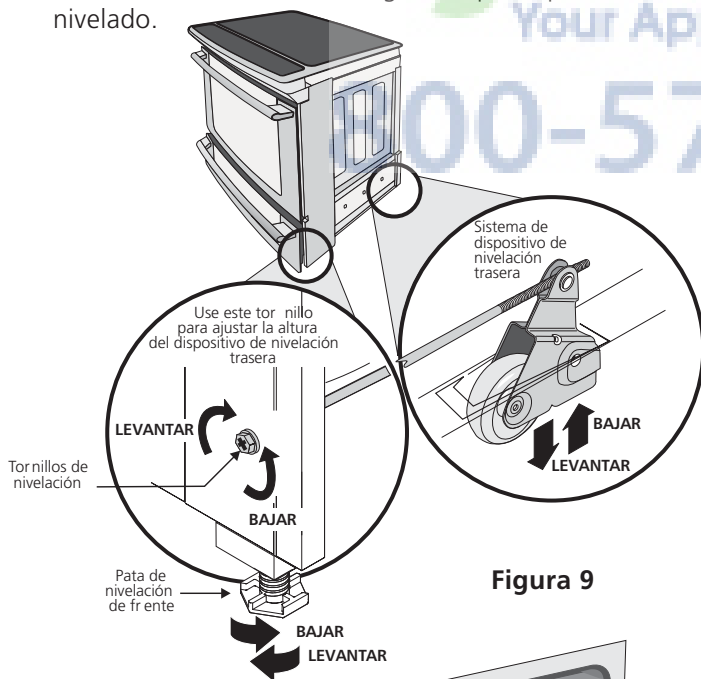


Figura 9

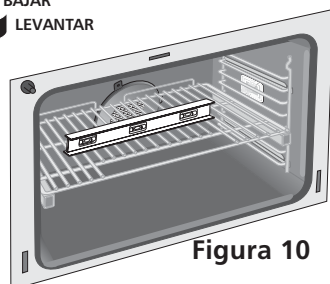


Figura 10

7. Comprobación del Funcionamiento

Consulte el Manual del Usuario incluido con la estufa para instrucciones de operación y instrucciones para el cuidado y limpieza de su estufa.

⚠ PRECAUCIÓN No toque los elementos. Pueden estar bastante calientes para causar quemaduras.

Quite todo el embalaje de la unidad antes de comprobarla.

1. Operación de los elementos de superficie

Encienda cada uno de los cuatro elementos de superficie y controle que se calienten. Verifique el funcionamiento de las luces indicadoras de los elementos de superficie, si equipadas.

2. Funcionamiento de los Elementos del Horno

El horno está equipado con un control electrónico. Cada función ha sido probada en la fábrica antes del transporte. Sin embargo, sugerimos que Ud. verifique el funcionamiento de los controles del horno una vez más. Véase el Manual del Usuario para la operación. Siga las instrucciones para el Reloj Minutero, Cocer, Asar, Covección (algunos modelos) y las funciones de limpieza.

Cocer/Bake—Después de poner el horno a 350°F (177°C) para cocer, el elemento inferior debe ponerse rojo.

Asar/Broil—Cuando está puesto para BROIL, el elemento superior se debe poner rojo.

Limpieza/Clean—Cuando el horno está puesto para un ciclo de auto-limpieza, el elemento superior se pondrá rojo durante el período de precalentamiento del ciclo.

Convección/Convection (algunos modelos)—Cuando el horno se pone a CONV. BAKE/ROAST a 350°F (177°C), los dos elementos se enciendan y se apagan alternando en un ciclo y el ventilador se pone en marcha. El ventilador de convección se parará cuando se abre la puerta del horno durante el cocido o el asado por convección.

Cajón calentador (algunos modelos)—Ponga la perilla de control a HI y verifique que se está calentando el cajón.

Después de Terminar la Instalación

Asegúrese de que todos los controles estén en la posición OFF (apagada).

Ubicación del Número de Modelo y de Serie

La placa con el número de serie está ubicada en el marco delantero del horno detrás de la puerta del horno (algunos modelos) o detrás del cajón (algunos modelos).

Cuando haga pedidos de repuestos o solicite información con respecto a su estufa, esté siempre seguro de incluir el número de modelo y de serie y el número o letra del lote de la placa de serie de su estufa.

Antes de Llamar al Servicio

Lea la sección Evite Llamadas de Servicio en su [Manual del Usuario](#). Esto le podrá ahorrar tiempo y gasto. Esta lista incluye ocurrencias comunes que no son el resultado de defectos de materiales o fabricación de este artefacto.

Lea la garantía y la información sobre el servicio en su [Manual del Usuario](#) para obtener el número de teléfono gratuito y la dirección del servicio. Por favor llame o escriba si tiene preguntas acerca de su estufa o necesita repuestos.

8. Instrucciones de instalación de la fijación anti-inclinación

⚠️ ADVERTENCIA Para reducir el riesgo de inclinación de la cocina, ésta debe ser asegurada hacia el piso con las fijaciones de anti-inclinación y los tornillos que vienen con la cocina. Estos componentes se encuentran en el horno. Si no instala las fijaciones, corre el riesgo que su cocina pueda inclinarse si pone demasiado peso en ella o si un niño sube sobre ésta. Esto podría ocasionar graves heridas causadas por líquidos calientes o por la propia cocina.

Siga estas instrucciones para instalar las fijaciones de anti-inclinación.

Si la cocina es trasladada a otro lugar, las fijaciones de anti-inclinación deben también ser trasladados con la cocina.

Herramientas necesarias:

- Llave de tuerca ajustable
- Trinquete
- Taladro eléctrico con barrena de 1/8" (0,32 cm)
- Aprietatuercas de 5/16" (0,8 cm)
- Nivel

Abrazadera sujeta al suelo en la parte trasera de la cocina para tener asida la parte posterior de la cocina. Al fijarla al suelo, verificar que los tornillos no atraviesen la instalación eléctrica o de fontanería. Los tornillos provistos sirven para madera o concreto.

1. Dibujar una línea central en el piso donde se instalará la cocina. Si no hay pared posterior, dibujar otra línea en el piso que corresponda a la parte posterior de la cocina.

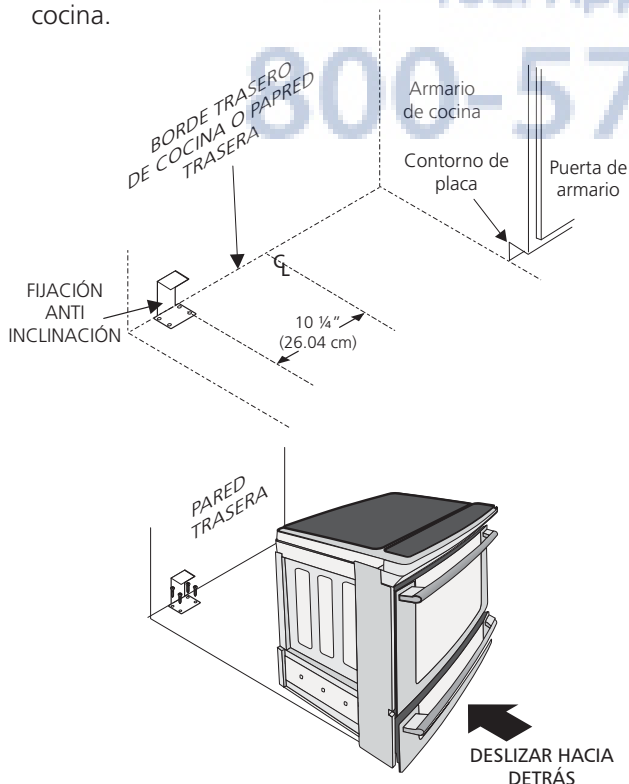


Figura 11

2. Desplegar el molde de papel y colocarlo alisado sobre el piso con el vértice posterior derecho posicionado exactamente en la intersección de las líneas central y posterior dibujadas anteriormente. (Si no se dispone de un molde, usar el diagrama incluido a continuación para ubicar las ménsulas (Figura 11)).
3. Marque en el suelo la ubicación de los cuatro orificios de montaje que aparecen en el modelo. Para facilitar la instalación se pueden hacer en el suelo orificios pilotos de 3/16" (0,48 cm) de diámetro de 1/2" (1,27 cm) de profundidad.
4. Retire el modelo y ubique la abrazadera en el suelo. Alinee los orificios en la abrazadera con las marcas en el suelo y ajuste con los cuatro tornillos provistos. La abrazadera debe quedar fijada al suelo (figura 12) sólido. Si se fija al suelo concreto, primero haga orificios pilotos de un diámetro de 3/16" (0,48 cm), utilizando una barrena para concreto.
5. Asegúrese que las 4 patas de nivelación están en la más alta posición posible.
6. Deslice la cocina hacia su lugar asegurándose que la pata de centro trasera está completamente segura con el soporte anti-inclinación (figura 11). Baje la cocina ajustando las 4 patas de nivelación hasta que la plancha de cocinar está apoyada en el mostrador. Refiere a la "Nivelación de la cocina" a la página 6.
7. Después de haber realizado la instalación verifique que la fijación anti-inclinación está empotrada. Usted también puede asir el borde trasero de la cima de la estufa y cuidadosamente intentar voltearla para asegurarse de que la estufa sea adecuadamente anclada.

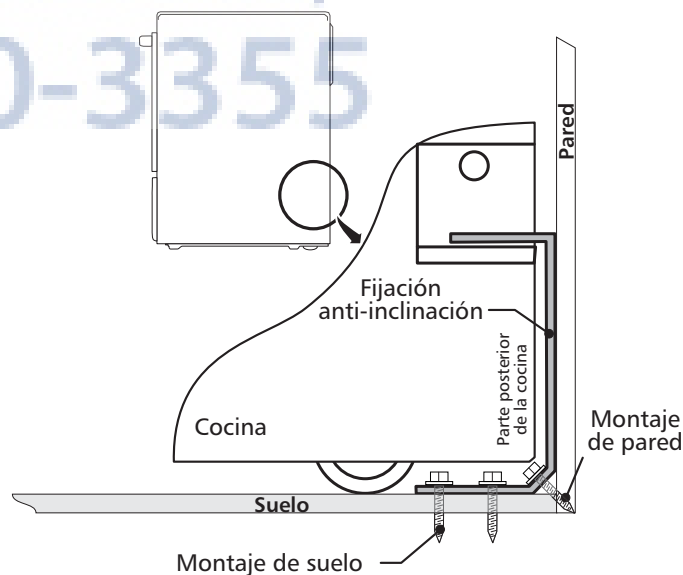


Figura 12

NOTAS:



INSTRUCTIONS D'INSTALLATION POUR LA CUISINIÈRE 30" ENCASTRABLE

États-Unis



L'INSTALLATION ET L'ENTRETIEN DOIVENT ÊTRE EFFECTUÉS PAR UN INSTALLATEUR QUALIFIÉ.

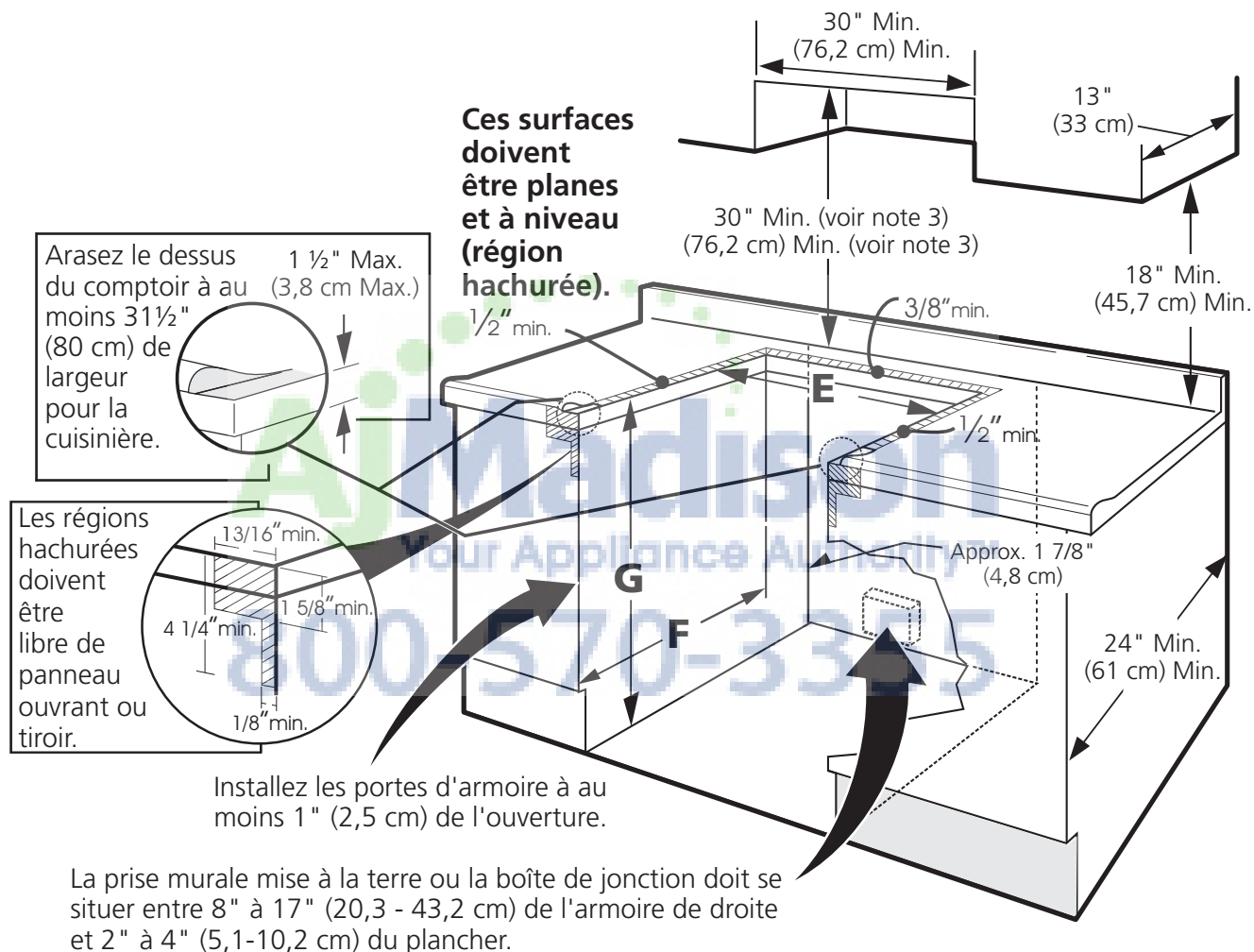
IMPORTANT : CONSERVEZ POUR L'INSPECTEUR D'ÉLECTRICITÉ LOCAL. LISEZ ET CONSERVEZ CES INSTRUCTIONS POUR RÉFÉRENCES ULTÉRIEURES.

⚠️ AVERTISSEMENT POUR VOTRE SÉCURITÉ : N'entreposez pas ou n'utilisez pas d'essence ou d'autres produits inflammables à proximité de cet appareil ou de tout autre appareil électroménager.

Canada



Pour les ouvertures de 29" (73,7 cm) de largeur, vous devez appeler un centre de service pour commander des panneaux latéraux plus minces pour l'installation de la cuisinière. Vous devez aussi suivre les instructions pour la préparation du dessus de comptoir à la section "Préparation du dessus de comptoir" (voir page 32).



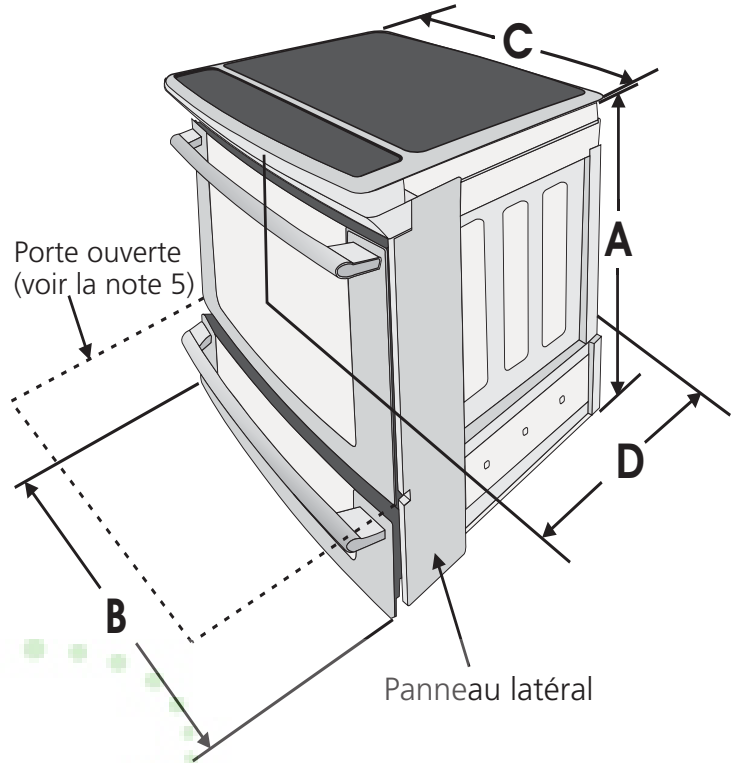
⚠️ AVERTISSEMENT Ne pas insérer l'unité dans le comptoir sans avoir lu les deux prochaines pages.

A. HAUTEUR (Sous la table de cuisson)	B. LARGEUR	C. LARGEUR DE LA TABLE DE CUISSON	D. PROFONDEUR TOTALE À L'AVANT DE LA CUISINIÈRE	E. LARGEUR DE DÉCOUPAGE (comptoir et armoire)	F. PROFONDEUR DE DÉCOUPAGE	G. HAUTEUR DU DESSUS DE COMPTOIR
35 3/4" (90,8 cm) 36 5/8" (93 cm)	30" (76,2 cm)	31 1/2" (80 cm)	28 5/16" (71,9 cm)	30±1/16" (76,2±0,15 cm)	21 3/4" (55,2 cm) Min. 22 1/8" (56,2 cm) Max 24" (61 cm) si un dossier est installé	35 3/4" (90,8 cm) Min. 36 5/8" (93 cm) Max.

INSTRUCTIONS D'INSTALLATION POUR LA CUISINIÈRE 30" ENCASTRABLE

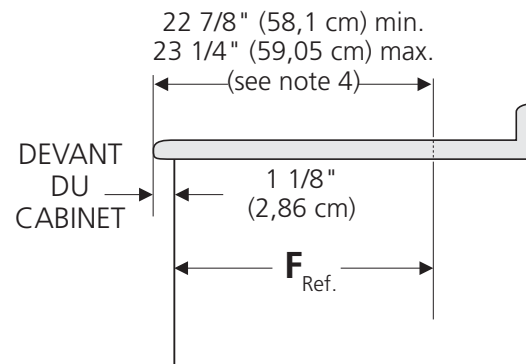
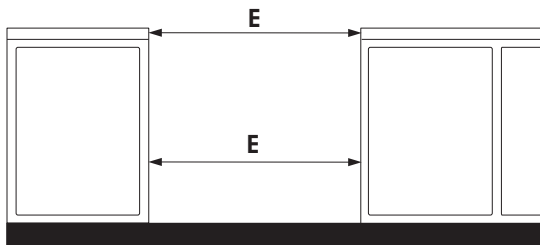
NOTE:

1. Ne coincez pas le cordon d'alimentation ou le conduit de gaz entre le mur et l'appareil.
2. Ne scellez pas l'appareil aux armoires latérales.
3. Dégagement minimum de 24" (61 cm) entre la plaque de cuisson et la bas de l'armoire du haut lorsque le dessous de l'armoire en bois ou en métal est protégé par un celloderme retardateur de flammes d'un minimum de 1/4" (0,64 cm) recouvert d'une feuille de métal MSG No. 28, d'acier inoxydable d'un minimum de 0,015" (0,4 mm), d'aluminium de 0,024" (0,6 mm) ou de cuivre de 0,020" (0,5 mm).
Dégagement minimum de 30" (76,2 cm) lorsque l'armoire n'est pas protégée.
4. Notez que pour les ouvertures de moins de 22 7/8" (58,1 cm) de profondeur, l'appareil dépassera légèrement vers l'avant du comptoir.
5. Allouez au moins 19 1/4" (48,9 cm) d'espace pour permettre l'ouverture de la porte du four.



*****IMPORTANT:** Pour une largeur de découpage (dimension E) plus grande que 30 1/16" (76,4 cm) et pour éviter un bris de la table de cuisson, au moment d'insérer l'appareil dans le comptoir assurez-vous qu'il est bien centré dans l'ouverture. Levez les pattes de nivellement et les roulettes de nivellement au maximum (page 31), insérez l'appareil dans le comptoir et ensuite nivelez-le. Assurez-vous que l'appareil est bien supporté par les pattes et les roulettes de nivellement et non par la table de cuisson.

IMPORTANT: La largeur du comptoir et de l'armoire doit être égale à la largeur de découpage.



A. HAUTEUR (Sous la table de cuisson)	B. LARGEUR	C. LARGEUR DE LA TABLE DE CUISSON	D. PROFONDEUR TOTALE À L'AVANT DE LA CUISINIÈRE	E. LARGEUR DE DÉCOUPAGE (comptoir et armoire)	F. PROFONDEUR DE DÉCOUPAGE	G. HAUTEUR DU DESSUS DE COMPTOIR
35 3/4" (90,8 cm) 36 5/8" (93 cm)	30" (76,2 cm)	31 1/2" (80 cm)	28 5/16" (71,9 cm)	30±1/16" (76,2±0,15 cm)	21 3/4" (55,2 cm) Min. 22 1/8" (56,2 cm) Max 24" (61 cm) si un dossier est installé	35 3/4" (90,8 cm) Min. 36 5/8" (93 cm) Max.

Pour éviter les cassures: NE PAS manipuler l'appareil par la table de cuisson.



1 Le comptoir alentour de l'ouverture de découpage doit être plat et à niveau (voir hachures sur illustration 1).

2 Avant d'installer l'appareil, mesurer les hauteurs des deux (2) côtés du comptoir (H1-4), avant et arrière (voir illustration 1) du plancher jusqu'au dessus du comptoir.

3 Mettre l'appareil à niveau en utilisant les deux (2) pattes de nivellement avant et les deux (2) roulettes de nivellement arrière pour que la hauteur entre le plancher et le renfort de métal en dessous de la table de cuisson soit plus grande par $1/16"$ que la plus grande mesure H1-4 (voir illustration 2).

Arasez le dessus du comptoir à au moins $3\frac{1}{2}"$ (81cm) de largeur pour la cuisinière.

$1\frac{1}{2}"$ Max. (3.8 cm Max.)

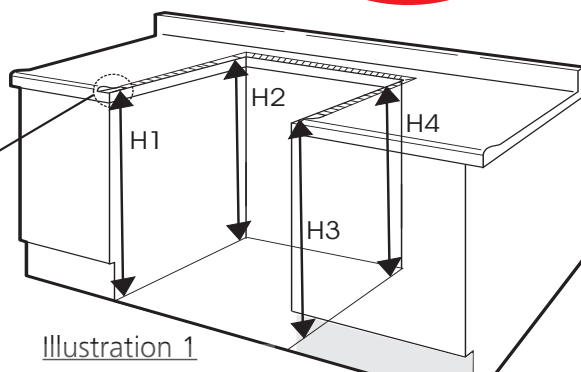


Illustration 1

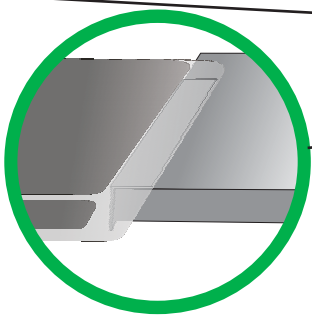
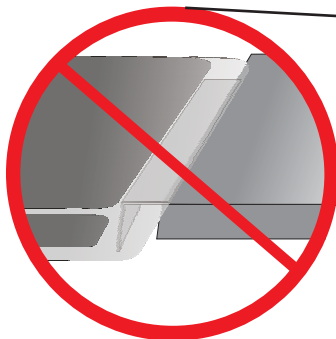
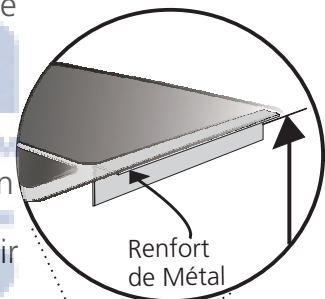
4 Retirer et jeter les deux pattes de nivellement arrière, elles sont en place seulement que pour solidifier l'appareil pendant le transport.

5 Glisser l'appareil dans le comptoir. Assurez-vous que le centre de l'appareil soit aligné avec le centre de l'ouverture du comptoir.

6 Enlever les protecteurs de plastique sur chaque côté de la table de cuisson (si inclus avec l'appareil).

Le renfort de métal en dessous de chaque côté de la table de cuisson **DOIT** reposer sur le comptoir pour que l'appareil soit bien supporté.

7 La table de cuisson ne doit **PAS** toucher directement le comptoir (voir illustration 2), sinon cela pourrait provoquer un bris de la table qui annulera la garantie. Nivelier l'appareil si nécessaire.



Afin d'installer correctement la cuisinière, la hauteur initiale entre le plancher et le renfort de métal en dessous de la table de cuisson doit être au moins $1/16"$ plus grande que les mesures du comptoir mesurés dans l'étape 1.

8 Après l'installation, ASSUREZ-VOUS que l'appareil est soutenu par les deux pattes de nivellement et les deux roulettes de nivellement arrière et **NON** par la table de cuisson.

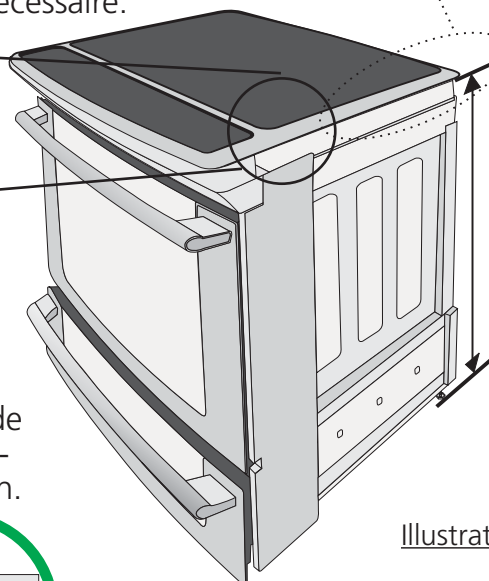
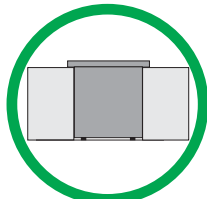
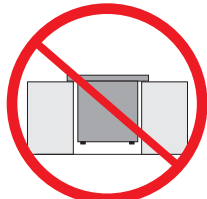


Illustration 2

INSTRUCTIONS D'INSTALLATION POUR LA CUISINIÈRE 30" ENCASTRABLE

Notes importantes à l'installateur

1. Lisez toutes les instructions contenues dans ce feuillet avant d'installer la cuisinière.
2. Enlevez tout le matériel d'emballage des compartiments du four avant de connecter l'alimentation électrique à la cuisinière.
3. Respectez tous les codes et règlements applicables.
4. N'oubliez pas de laisser ces instructions au consommateur.

Note importante au consommateur

Conservez ces instructions avec le guide de l'utilisateur pour référence future.

INSTRUCTIONS DE SÉCURITÉ IMPORTANTES

⚠ MISE EN GARDE Des températures trop basses peuvent endommager le contrôleur électronique de l'appareil. Au cours de la première utilisation ou lorsque l'appareil n'a pas été utilisé pendant un certain temps, assurez-vous qu'il a été exposé à des températures au dessus de 32°F (0°C) pendant une durée supérieure à 3 heures avant de le mettre en marche.

- **Assurez-vous que votre cuisinière est correctement installée et mise à la terre par un installateur ou un technicien d'entretien qualifié.**
- **Le circuit électrique de cette cuisinière doit être mis à la terre conformément** aux règlements locaux, ou en l'absence de règlements, au code national de l'électricité ANSI/NFPA no. 70- dernière édition aux États-Unis ou à la norme canadienne d'électricité, ACNOR C22.1, partie 1, au Canada.
- L'installation d'appareils conçus pour les maisons (mobiles) doit se conformer aux normes de la Manufactured Home Construction and Safety Standard, titre 24CFR, partie 3280 (antérieurement Federal Standard for Mobile Home Construction and Safety, titre 24, HUD (partie 280)) ou en l'absence de normes, aux normes de la Manufactured Home Installation 1982 (Manufactured Home Sites, Communities and Setups), ANSI Z225.1/NFPA 501A-dernière édition, ou aux codes locaux. Lorsque l'installation se fait au Canada, elle doit se conformer à la norme CAN/CSA-Z240 MH.

⚠ AVERTISSEMENT Risque de basculement



- Un enfant ou un adulte peut faire basculer la cuisinière et en décéder.
- Vérifiez que le dispositif anti-renversement a été fixé au plancher ou au mur.

- Assurez-vous d'enclencher le dispositif anti-renversement lorsque la cuisinière est déplacée sur le plancher ou contre le mur.
- Ne faites pas fonctionner la cuisinière si le dispositif anti-renversement n'est pas en place et enclenché.
- Le non-respect de ces instructions peut causer des blessures fatales ou de graves brûlures aux enfants et aux adultes.



Pour vérifier si le support anti-renversement est correctement installé, attrapez le bord arrière de la cuisinière à deux mains. Essayez doucement de faire basculer la cuisinière vers l'avant. Lorsque le support est correctement installé, la cuisinière ne doit pas basculer vers l'avant.

- Assurez-vous que la tapisserie à proximité du four peut résister à la chaleur générée par la cuisinière.
- Avant d'installer la cuisinière à un endroit recouvert de linoléum ou de tout autre couvre-plancher synthétique, assurez-vous que celui-ci peut résister à un minimum de 90°F (32.2°C) de chaleur au-dessus de la température de la pièce sans se rapetisser, se déformer ou se décolorer. N'installez pas la cuisinière sur un tapis, à moins de placer un tampon isolant ou une feuille de contreplaqué d'une épaisseur de ¼" (0.64 cm) entre la cuisinière et le tapis.

⚠ AVERTISSEMENT Ne laissez jamais les enfants seuls ou sans surveillance près d'un appareil en fonction. Au fur et à mesure qu'ils grandissent, apprenez-leur à utiliser les appareils électroménagers de façon sécuritaire et appropriée. Ne laissez jamais la porte du four ouverte lorsque la cuisinière est sans surveillance.

⚠ AVERTISSEMENT Le fait de monter sur les portes ou les tiroirs de cette cuisinière, de s'y appuyer ou de s'y asseoir peut occasionner des blessures graves, tout en endommageant l'appareil.

- N'entrez pas d'objets susceptibles d'intéresser les enfants dans les armoires situées au-dessus de la cuisinière. Ces derniers risquent de se brûler sérieusement s'ils essayent de grimper sur l'appareil pour atteindre les objets.
- Pour éliminer les risques de brûlures ou de feu en allongeant le bras au-dessus des surfaces de cuisson chaudes, évitez d'installer des armoires au-dessus de la plaque de cuisson. Si vous devez en installer, il est possible de réduire le risque en plaçant une hotte pour cuisinière qui excède horizontalement d'un minimum de 5" (12.7 cm) la base de l'armoire.
- N'utilisez pas le four à des fins de rangement. Ceci génère une situation éventuellement dangereuse.
- N'utilisez jamais votre cuisinière pour réchauffer ou chauffer la pièce. L'utilisation prolongée de la cuisinière sans une ventilation adéquate peut s'avérer dangereuse.
- Ne gardez pas de produits combustibles, d'essence et d'autres produits inflammables à proximité de cet appareil ou de tout autre appareil. Il pourrait en résulter des explosions ou un incendie.
- Remplacez toutes les commandes à la position arrêt «off» après l'utilisation d'une fonction programmable chronométrée.

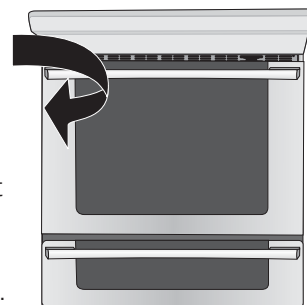
POUR LES MODÈLES MUNIS DE L'AUTONETTOYAGE:

- Enlevez la lèchefrite, les grilles, les aliments et les autres ustensiles avant l'autonettoyage du four. Essayez tous les renversements excessifs. Suivez les instructions pour le prénettoyage dans le Guide de l'utilisateur.

EMPLACEMENT DE LA PLAQUE SIGNALÉTIQUE

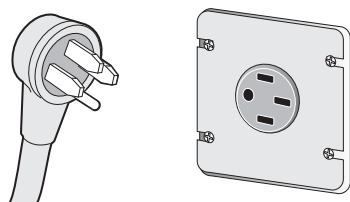
Vous trouverez les numéros de modèle et de série de votre appareil sur la plaque signalétique. Cette dernière est située à l'endroit montré ici.

Veillez prendre en note ces numéros pour référence future.



1. Modèles avec cordon d'alimentation branché en usine (Canada seulement)

Les cuisinières canadiennes sont munies d'un cordon d'alimentation branché en usine (voir Figure 1). Il doit être connecté à une prise d'alimentation de 120/240 volt, mise à la terre, ou à une prise de courant pour cuisinières de 120/208 volt. Si aucune prise d'alimentation n'est disponible, demandez à un électricien compétent d'en installer une.



Modèles canadiens
Figure 1

2. Ensemble de cordon d'alimentation (États-Unis)

Il incombe à l'utilisateur de faire raccorder le cordon d'alimentation au bloc de connexion situé derrière le couvercle du panneau arrière.

Il est possible de connecter l'appareil soit au moyen d'un câblage "permanent dur" (câble flexible en cuivre blindé ou muni d'une gaine protectrice non métallique) soit au moyen d'un ensemble de cordon d'alimentation.

NOTE: L'appareil sort de l'usine avec un trou de 1 1/8" (2.9 cm) dia. tel que montré à la figure 4. Si un trou plus grand est requis, repoussez la pastille.

⚠ AVERTISSEMENT Il existe des risques d'incendie ou de choc électrique, si la capacité du cordon utilisé est inadéquate, si les instructions d'installation ne sont pas suivies ou si le réducteur de tension n'est pas utilisé.

Dans les maisons mobiles (États-Unis), les nouvelles installations ou les véhicules récréatifs, utilisez seulement un cordon d'alimentation conçu pour une cuisinière à 125/250 volts de 50 ampères recommandé (40A minimum). Le cordon doit soit avoir 3 (lorsque le code local permet la mise à terre par le neutre) ou 4 conducteurs. Les bornes aux extrémités des câbles doivent comporter soit une boucle fermée, soit des cosses à fourches ouvertes et aux extrémités renversées. Le cordon doit être muni d'un réducteur de tension.

⚠ MISE EN GARDE Ne desserrez pas les écrous des fils installés en usine. Une panne, un bris ou des conditions dangereuses pourraient s'en suivre.

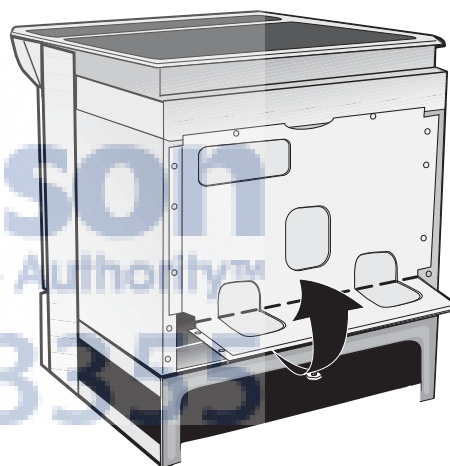
⚠ AVERTISSEMENT

Risque de choc électrique

- La mise à la terre de cet appareil est obligatoire.
- Ne branchez pas l'appareil au circuit électrique avant qu'il soit mis à la terre correctement, en permanence.
- Interrompez le courant dans la boîte de jonction avant d'effectuer la connexion électrique.
- Cet appareil doit être branché à un système de câblage métallique, mis à la terre en permanence, ou un connecteur mis à la terre doit être branché à la borne de mise à la terre ou directement sur l'appareil.

Si vous ne suivez pas les instructions précitées à la lettre, il peut en résulter un incendie, des blessures ou un choc électrique.

3. Accès au bloc de connexions et à la plaque de mise à terre.



Recourbez ici la couvercle arrière pour accéder aux bornes du bloc de connexion de la cuisinière

Figure 2

⚠ AVERTISSEMENT Cet électroménager est manufacturé avec une mise à la terre au châssis à l'aide d'une plaque de mise à terre posée entre le terminal neutre et le châssis. Si l'appareil est utilisé, aux États-Unis, dans une maison mobile, un nouveau branchement (1996 NEC), un véhicule récréatif où les codes locaux n'autorisent pas la connexion du conducteur de mise à la terre du châssis au neutre ou au Canada; retirez la plaque de mise à terre du châssis et coupez l'autre bout, près du terminal neutre. Branchez ensuite l'appareil de manière usuelle.

3. Connexions électriques à la cuisinière (U.S.A.)

Pour une connexion à un câble d'alimentation à trois conducteurs (États-Unis seulement)

Si les codes locaux permettent la connexion du conducteur de mise à la terre du châssis au fil neutre du cordon d'alimentation en cuivre (voir figure 3).

1. Enlevez les 3 vis situées à l'extrémité inférieure du couvercle arrière de fils, puis redressez l'extrémité inférieure du couvercle (couvercle d'accès) pour atteindre les bornes du bloc de connexion de la cuisinière (voir figure 2).
2. Utilisez les écrous fournis dans l'enveloppe littérature pour raccorder le neutre du cordon d'alimentation cuivré à la borne argentée située au centre du bloc de connexion, et raccordez les autres fils aux bornes extérieures. Assortissez les fils et les bornes conformément aux couleurs (branchez le fil rouge à la borne de droite, et le fil noir à la borne de gauche) (voir figure 3).
3. Abaissez le couvercle des bornes du bloc de connexion et remplacez les 3 vis.

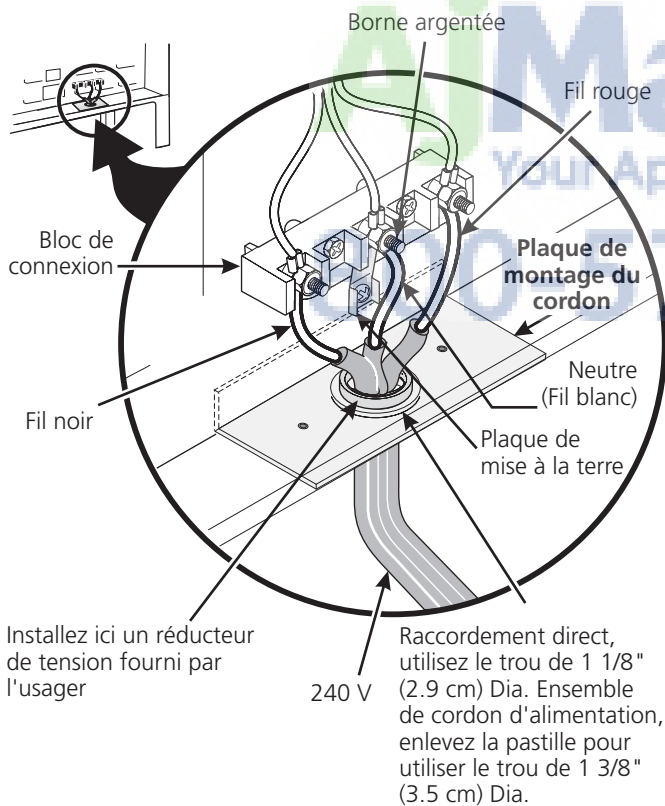
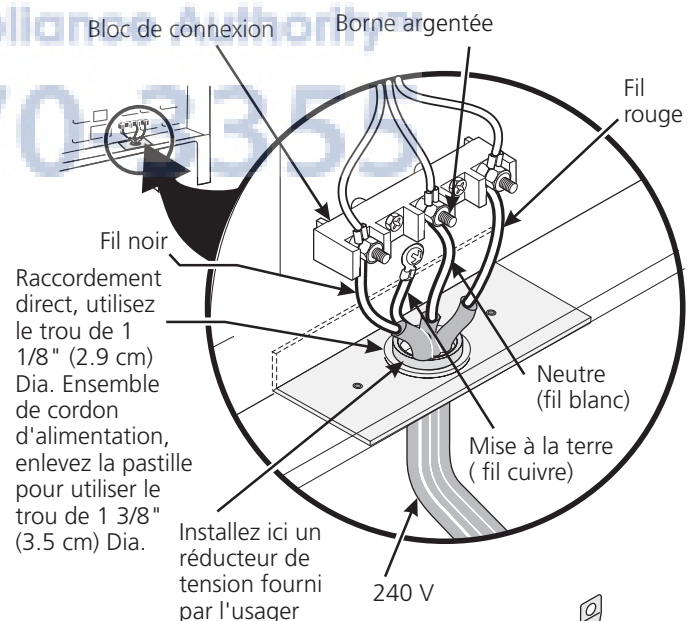


Figure 3

Pour une connexion à un câble d'alimentation à quatre conducteurs (maisons mobiles) (États-Unis)

Si les codes locaux ne permettent PAS la connexion du conducteur de mise à la terre du châssis au fil neutre du cordon d'alimentation en cuivre (voir figure 4).

1. Enlevez les 3 vis situées à l'extrémité inférieure du couvercle arrière du filage, puis redressez l'extrémité inférieure du couvercle (couvercle d'accès) pour atteindre les bornes du bloc de connexion de la cuisinière (voir figure 2).
2. Enlevez la plaque de mise à la terre de la borne centrale du bloc de connexion et du châssis de l'appareil. Conservez la vis de mise à la terre.
3. Branchez le fil de mise à la terre (vert) du cordon d'alimentation cuivré, au châssis de l'appareil avec la vis de mise à la terre, à l'aide du trou dans le châssis à l'endroit où la bande de mise à la terre a été enlevée (voir Figure 4).
4. Utilisez les écrous fournis dans l'enveloppe littérature pour raccorder le neutre (blanc) du cordon d'alimentation cuivré, à la borne argentée située au centre du bloc de connexion, et raccordez les autres fils aux bornes extérieures. Assortissez les fils et les bornes conformément aux couleurs (branchez le fil rouge à la borne de droite, et le fil noir à la borne de gauche).
5. Abaissez le couvercle des bornes du bloc de connexion et remplacez les 3 vis.



NOTE: Assurez-vous d'enlever la plaque de mise à la terre fournie avec l'appareil.

Figure 4

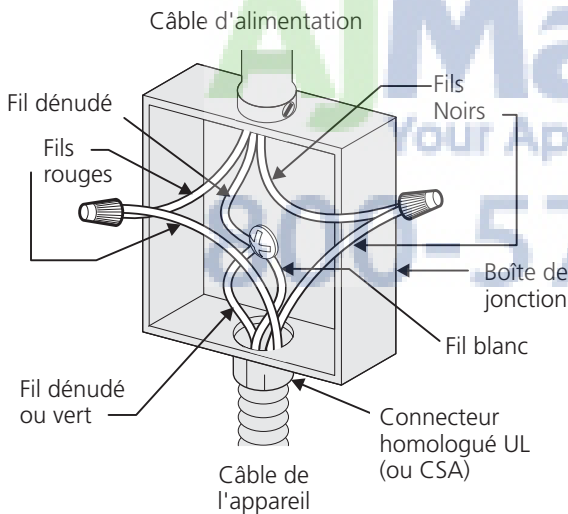
INSTRUCTIONS D'INSTALLATION POUR LA CUISINIÈRE 30" ENCASTRABLE

Connexions électriques au système électrique de la résidence

L'appareil doit être raccordé directement au disjoncteur ou au compartiment de fusibles au moyen d'un câble flexible en cuivre, blindé ou muni d'une gaine protectrice non métallique (avec fil de mise à la terre). Un des connecteurs homologués UL doit être fixé à chaque extrémité du câble d'alimentation (à l'appareil et à la boîte de jonction). Les grosseurs des fils (**fil en cuivre seulement**) et des raccordements doivent se conformer à la capacité de l'appareil.

Si les codes locaux permettent le raccordement du conducteur de mise à la terre du châssis au fil neutre (blanc) de la boîte de jonction (voir figure 5):

1. Débranchez l'alimentation.
2. Enlevez la plaque de mise à la terre de la borne centrale du bloc de connexion et du châssis de l'appareil. Conservez la vis de mise à la terre.
3. Dans la boîte de jonction:
 - a) Reliez ensemble, le fil blanc, le fil vert (dénudé) de l'appareil et le fil neutre (blanc) du câble d'alimentation.
 - b) Reliez ensemble les deux fils noirs.
 - c) Reliez ensemble les deux fils rouges.



NOTE: Assurez-vous d'enlever la plaque de mise à la terre fournie avec l'appareil.

Figure 5
BOÎTE DE JONCTION À 3 FILS - MISE À LA TERRE

Aux endroits où les codes locaux l'interdisent, ou si vous raccordez à un système électrique à quatre conducteurs, ne raccordez pas le conducteur de mise à la terre du châssis au fil neutre (blanc) de la boîte de jonction (voir figure 6):

1. Débranchez l'alimentation électrique.
2. Séparez les fils de cuivre dénudé et blanc de l'appareil.
3. Dans la boîte de jonction:
 - a) Reliez le fil blanc du câble de l'appareil au fil neutre (blanc) du câble d'alimentation.
 - b) Reliez les deux fils noirs ensemble.
 - c) Reliez les deux fils rouges ensemble.
 - d) Reliez le fil de cuivre ou dénudé du câble de l'appareil au fil de cuivre ou dénudé du câble d'alimentation.

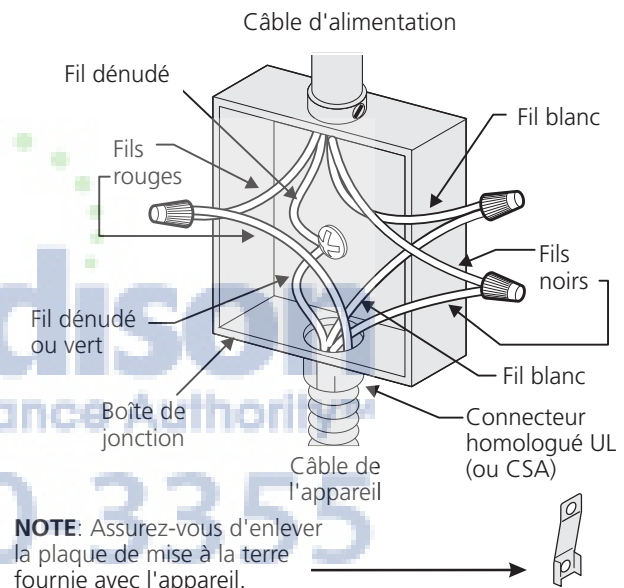


Figure 6
BOÎTE DE JONCTION À 4 FILS - MISE À LA TERRE

4. Construction de l'armoire

4.1 **⚠ MISE EN GARDE** Pour éliminer les risques de brûlures ou de feu, en étendant le bras au-dessus des surfaces de cuisson chaudes, évitez d'installer des armoires au-dessus de ces dernières. Si vous devez en installer, il est possible de réduire le risque en plaçant une hotte pour cuisinière qui excède horizontalement d'un minimum de 5" (12.7 cm) la base de l'armoire.

4.2 Préparation du dessus de comptoir

- Les côtés de la table de cuisson de la cuisinière s'ajustent au-dessus du rebord du découpage du dessus de comptoir.
- Si vous avez un dessus de comptoir au **fini carré (plat)**, il n'est pas nécessaire de préparer le dessus du comptoir.
- Les dessus de comptoir au **rebord avant moulé** doivent être aplanis de $\frac{3}{4}$ " (1.9 cm) à chaque coin avant de l'ouverture (Figure 7).
- Il est possible qu'il soit nécessaire d'araser de $\frac{3}{4}$ " (1.9 cm) les dessus de **comptoir en mosaïque** à chaque coin avant et/ou d'aplanir le rebord arrondi (Figure 7).

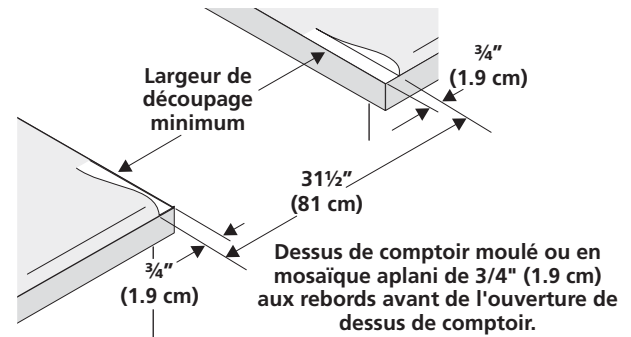


Figure 7

- **Si la largeur de l'ouverture du dessus de comptoir est supérieure à la largeur minimale requise**, ajustez en conséquence la dimension $\frac{3}{4}$ " (1.9 cm).
- **Le dessus de comptoir doit être à niveau.** Placez un niveau sur le dessus de comptoir, d'abord de chaque côté, et ensuite du devant à l'arrière. Si le dessus de comptoir n'est pas horizontal, la cuisinière ne le sera pas non plus. Le four doit être à l'horizontal pour obtenir des résultats de cuisson satisfaisants. Les côtés de la table de cuisson de la cuisinière s'ajustent au-dessus de l'angle du découpage du dessus de comptoir sans le toucher.

4.3 **IMPORTANT** • Pour les découpages actuels de 29" (73.7 cm) de largeur:

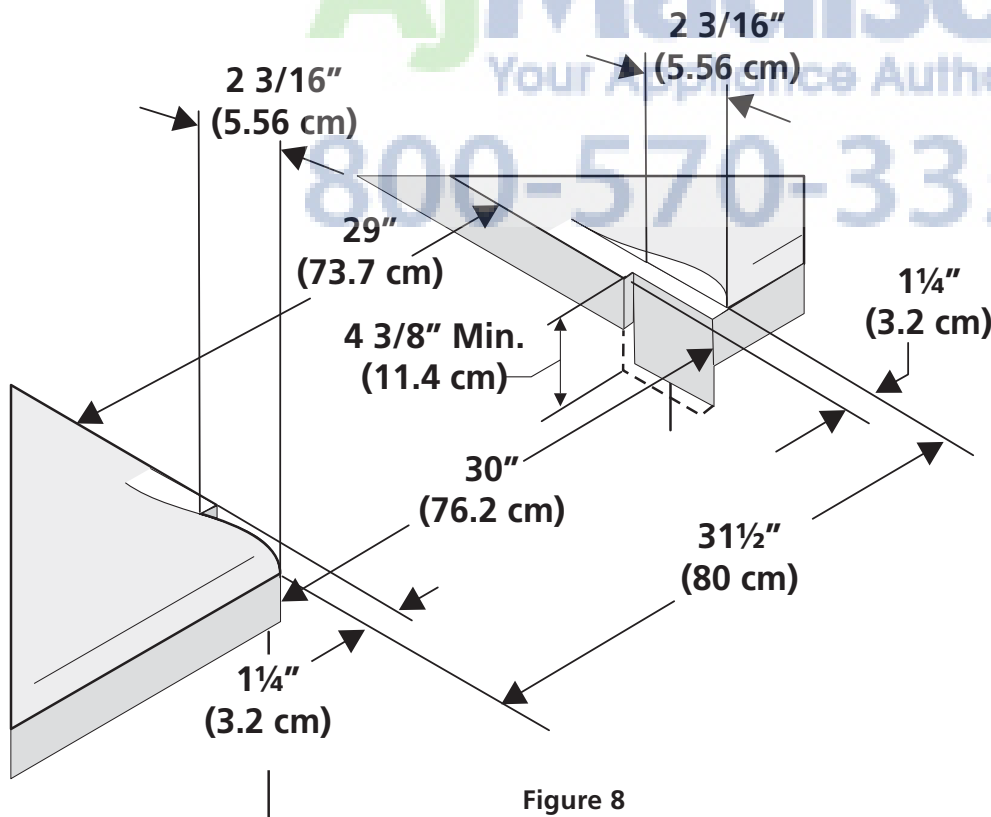
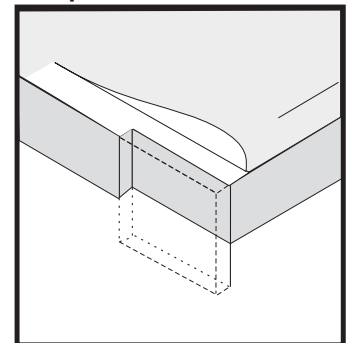


Figure 8

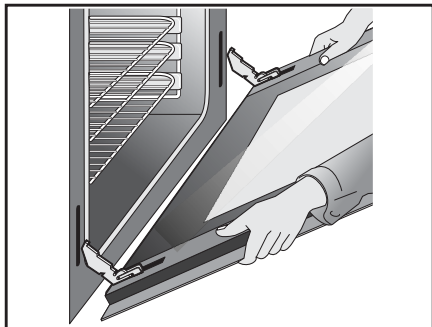
Enlevez $2 \frac{3}{16}$ " (5.56 cm) de matériel à l'avant du comptoir.



Dessus de comptoir moulé ou en mosaïque aplanis de $1 \frac{1}{4}$ " (3.2 cm) aux rebords avant de l'ouverture de dessus de comptoir.

5. Installation de la cuisinière

Note importante: L'enlèvement de la porte du four n'est pas requis pour l'installation de l'appareil, mais la facilite grandement. Référez-vous au manuel d'utilisation pour connaître les étapes.



Installation standard

1 La table de cuisson chevauche chaque côté du dessus du comptoir et la cuisinière est assise sur le plancher. La largeur de la table de cuisson est de 31½" (80 cm).

Les armoires sous le comptoir doivent être distantes de 30" (76.2 cm). Assurez-vous qu'elles sont d'aplomb et de niveau avant d'y installer la cuisinière. Araser le rebord bombé à l'extrémité avant du comptoir pour obtenir un ajustement serré entre les bords extérieurs de la table de cuisson de 31½" (80 cm) et le comptoir.

2 Distancez les portes des armoires de 32" (81.3cm) minimum afin qu'elles n'interfèrent pas avec l'ouverture de la porte du four.

3 Découpez le comptoir tel que montré à la page 25.

Assurez-vous que les deux pattes de nivellement avant et les deux roulettes de nivellement arrière soient installées plus hautes que la hauteur du comptoir (voir page 27).

4 Retirez et jetez les deux pattes de nivellement arrière, elles sont en place seulement que pour solidifier l'appareil pendant le transport.

⚠ MISE EN GARDE Installez le support anti-basculer maintenant avant de placer l'appareil à sa position finale. Suivez les instructions à la page 35 ou sur le gabarit fourni avec le support anti-basculer de l'appareil.

5 Afin d'obtenir une installation maximale, les 3 côtés du comptoir recevant l'appareil doivent être plats et à niveau. Tous les ajustements adéquats afin que le comptoir soit plat doivent être faits sinon des espaces entre l'appareil et le comptoir peuvent se produire.

⚠ MISE EN GARDE Pour éviter d'endommager l'appareil, ne pas le saisir ou le manipuler par la surface de cuisson. Manipulez-le avec soin.

6 Centrez l'appareil devant le centre de l'ouverture du comptoir.

Assurez-vous que la surface de cuisson allant par dessus le comptoir est bien plus haute que le comptoir. Si tel n'est pas le cas, levez l'appareil en baissant les pattes de nivellement avant et les roulettes de nivellement arrière.

7 Nivelez la cuisinière (voir la section 6). Le plancher qui supporte la cuisinière doit être de niveau.

8 Finalement, glissez l'appareil dans l'ouverture du comptoir.

IMPORTANT Si des accessoires sont nécessaires:

Installation pour découpages de 29" (73.7 cm).

1. Vous devez remplacer les moulures latérales actuelles par de nouvelles moulures plus petites. Vous pouvez commander ces moulures en appelant un centre de service.
2. Installez vos nouvelles moulures à la place des moulures actuelles, en suivant les instructions fournies avec les nouvelles moulures.
3. Assurez-vous que le dégagement du comptoir et du cabinet sont préparés pour les découpages de 29" (73.7 cm) de large. Voir la section "Préparation du dessus de comptoir" en page 32.
4. Installez l'appareil dans l'armoire, tel que décrit à la section **Installation standard**.

Installation avec un dossier

La profondeur du découpage de (21¾" (55.2 cm) Min., 22 1/8" (56.2 cm) Max.) doit être augmentée à 24" (61 cm) lorsqu'un dossier est installé sur l'appareil.

Installation d'une moulure arrière

Vous pouvez commander un nécessaire pour moulure arrière dans un centre de service.

Installation de panneaux latéraux

Vous pouvez commander un nécessaire pour panneaux latéraux dans un centre de service. Distancez les portes des armoires de 32" (81.3 cm) minimum afin qu'elles n'interfèrent pas avec l'ouverture de la porte du four.

6. Mise à niveau de la cuisinière

Mettez à niveau l'appareil après l'avoir inséré dans le comptoir

- Ouvrez le tiroir de la cuisinière. Des vis de nivellement contrôlent la hauteur des roulettes de nivellement arrière.
- Ajustez les pieds de l'appareil, comme décrit plus loin, jusqu'à ce que le dessous de la surface de cuisson s'appuie délicatement sur le dessus du comptoir et soit à niveau (Figure 9).
 - Pour ajuster les vis de nivellement avant, utilisez une clé à molette, localisez la vis et tournez-la dans le sens anti-horaire pour baisser ou dans le sens horaire pour lever l'appareil.
 - Pour ajuster les dispositifs de nivellement arrière, utilisez un tourne-écrou ou un rochet et tournez l'écrou de nivellement dans le sens anti-horaire pour baisser et dans le sens horaire pour lever l'appareil.
- Vérifiez si l'appareil est à niveau en installant une grille au centre du four et en plaçant un niveau à bulle sur cette dernière (Figure 10).
- Prenez 2 lectures en plaçant le niveau en diagonale dans une direction, puis dans l'autre direction. Si nécessaire, ajustez les 2 vis et les dispositifs de nivellement.
- S'il est impossible de mettre à niveau l'appareil, contactez un menuisier pour corriger les défauts dans le plancher.

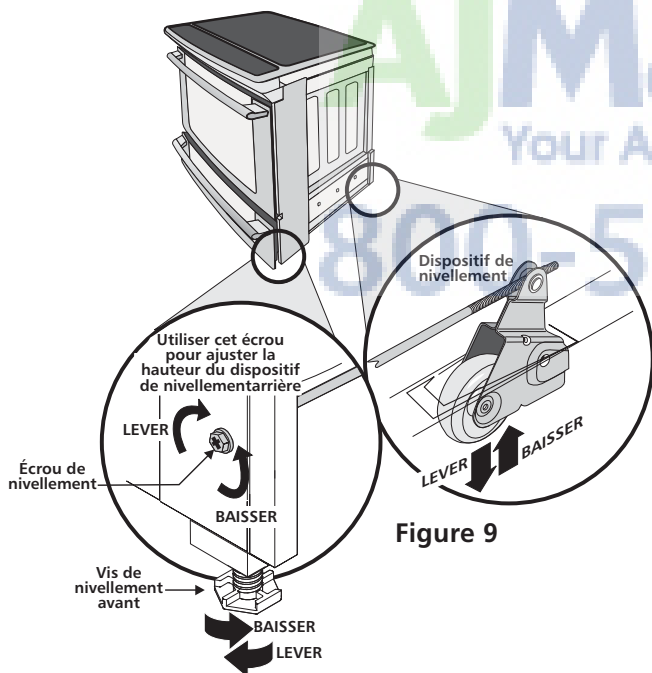


Figure 9

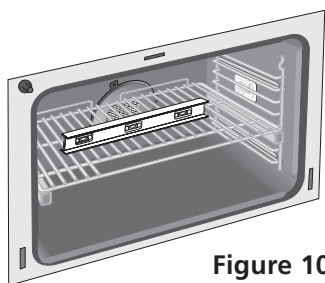


Figure 10

7. Vérification du Fonctionnement

Référez-vous au Manuel d'utilisation et d'entretien fourni avec la cuisinière pour les directives de fonctionnement d'entretien et de nettoyage.

⚠ MISE EN GARDE Ne touchez pas aux éléments. Ils peuvent être assez chauds pour causer des brûlures. Enlevez tout le matériel d'emballage du four avant de commencer les essais.

1. Fonctionnement des éléments de surface

Réglez les éléments de surface et vérifiez s'ils chauffent. Vérifiez si la (les) lampe(s) témoin(s) s'allume(nt) (certains modèles).

2. Fonctionnement des éléments du four

Ce four peut être équipé d'un contrôleur électronique. Chacune des fonctions a été vérifiée à l'usine avant l'expédition. Nous vous suggérons cependant de vérifier une fois de plus le fonctionnement des commandes du contrôleur électronique. Référez-vous au manuel d'utilisation et d'entretien pour le mode de fonctionnement. Suivez les instructions sur les fonctions de l'horloge (Clock), de la minuterie (Timer), de la cuisson au four (Bake), au gril (Broil), par convection (Convection) (certains modèles) et de nettoyage (Clean). N'oubliez pas de régler l'horloge en premier.

Cuisson au four (Bake)– Après avoir réglé le four à 350°F (177°C) pour la cuisson au four, l'élément inférieur du four dégage de la chaleur.

Cuisson au gril (Broil)– Lorsque le four est réglé à Cuisson au GRIL (BROIL), l'élément supérieur du four devient rouge.

Nettoyage (Clean) (certains modèles)– Lorsque le four est réglé pour un cycle autonettoyant, l'élément supérieur devient rouge durant le préchauffage du cycle. Une fois la température autonettoyante atteinte, l'élément inférieur devient rouge.

Convection (certains modèles)– Lorsque le four est réglé à CONV. BAKE/ROAST à 350°F (177°C), l'élément convection se met à chauffer et le ventilateur de convection se met à tourner. Le ventilateur arrête de tourner lorsque la porte du four est ouverte durant la cuisson par convection.

Tiroir-réchaud (certains modèles)– Tournez le bouton d'ajustement à ÉLEVÉ (HI) et vérifiez si le tiroir chauffe.

Lorsque tous les raccords sont terminés

Vérifiez si toutes les commandes sont en position d'arrêt.

Avant d'appeler le service d'entretien

Réviser la liste des vérifications préventives et les instructions d'opération dans votre Guide de l'utilisateur. Vous sauvez probablement du temps et de l'argent. La liste contient les événements ordinaires qui ne résultent pas de défauts dans le matériel ou la fabrication de cet appareil.

Pour obtenir notre adresse et nos numéros de téléphone, référez-vous à la garantie et aux renseignements sur les services d'entretien dans votre Manuel d'utilisation et d'entretien. Prière de nous téléphoner ou de nous écrire pour toute demande d'information au sujet de votre cuisinière et/ou si vous désirez commander des pièces.

8. Instructions d'installation du support anti-bascule

⚠️ AVERTISSEMENT Pour réduire le risque de basculement de la cuisinière, protégez-la en installant les vis et le support anti-bascule fournis avec la cuisinière. Ils sont situés dans un sac de plastique dans le four. Si vous n'installez pas ce support anti-bascule, la cuisinière risque de basculer si un poids excessif est placé sur la porte ouverte ou si un enfant y grimpe. Les renversements de liquides chauds ou la cuisinière peuvent provoquer de sérieuses blessures.

Suivez les instructions ci-dessous pour installer le support anti-bascule.

Si vous déplacez la cuisinière pour l'installer à un autre endroit, vous devez également déplacer le support anti-bascule pour l'installer avec la cuisinière.

Outils Requis :

Tourne écrou de 5 /16" (0,79 cm) ou tournevis à tête carrée
Clé à molette

Perceuse électrique

Foret de 3/16" (0,5 cm) de diamètre

Foret de maçonnerie de 3/16" (0,5 cm) diamètre (si l'installation se fait dans du béton)

Le support anti-bascule se fixe au plancher, à l'arrière au centre de la cuisinière, pour retenir la patte arrière centrale. En le fixant au plancher, assurez-vous que les vis ne pénètrent pas dans la plomberie ou le câblage électrique. Les vis fournies fonctionneront aussi bien dans du bois que dans du béton.

1. Dessinez une ligne au sol (à l'avant de l'ouverture) en ligne avec le devant des armoires (et non en ligne avec le retour d'armoire).

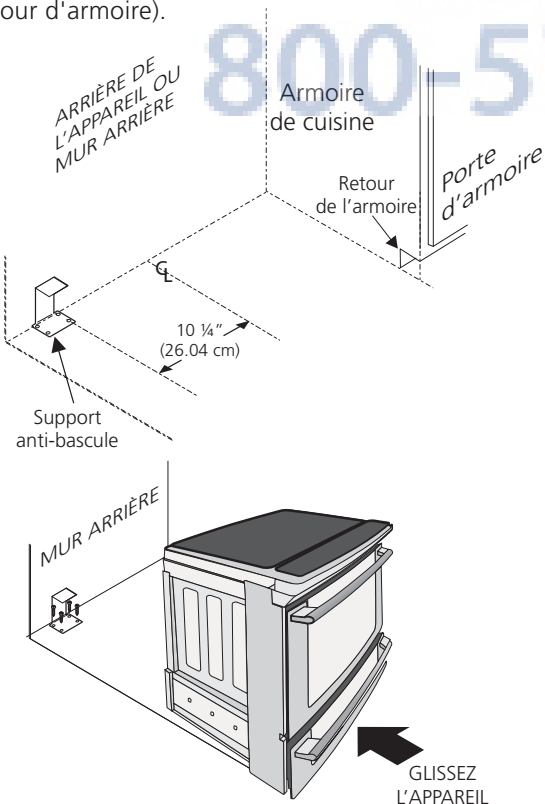


Figure 12

2. Dépliez le gabarit de papier et placez-le à plat sur le plancher, l'avant et les extrémités des côtés exactement sur la ligne préalablement tracée (utilisez le diagramme ci-dessous pour localiser le support anti-bascule si le gabarit de papier n'est pas disponible (Figure 12)).
3. Tracez sur le plancher (ou le mur) l'emplacement des trous de montage indiqués sur le gabarit. Pour faciliter l'installation, des trous pilotes de 1/2" (1.3 cm) de profondeur et 3/16" (0.5 cm) de diamètre peuvent être percés dans le plancher (ou le mur).
4. Enlevez le gabarit et placez le support anti-bascule sur le plancher. Alignez les trous dans le support anti-bascule avec les trous tracés sur le plancher (ou le mur) et fixez avec les vis fournies. Le support anti-bascule doit être fixé sur un plancher (ou mur) solide (Figure 13). Si vous le fixez à un plancher en béton, percez d'abord des trous pilotes de 3/16" (0.5 cm) de diamètre à l'aide d'un foret à maçonnerie.
5. Assurez-vous que les vis de nivellement ainsi que les dispositifs de nivellement sont à la position la plus haute.
6. Remplacez la cuisinière en la faisant glisser, en vous assurant que la patte centrale s'agrippe au support anti-bascule (Figure 12). Abaissez l'appareil en ajustant les vis et les dispositifs de nivellement jusqu'à ce que le dessous de la surface vitrifiée touche à peine le dessus du comptoir. Référez-vous à la section mise à niveau de la cuisinière.
7. Après l'installation, vérifiez si la cuisinière est bien retenue par le support anti-bascule en agrippant le dessus de l'extrémité arrière de la cuisinière et en essayant soigneusement de l'incliner vers l'avant pour vous assurer que la cuisinière est correctement ancrée.

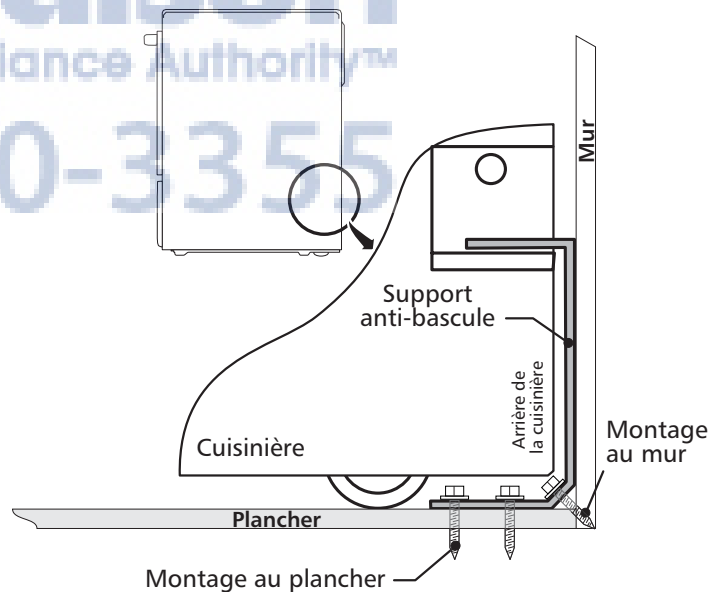


Figure 13

NOTES:

