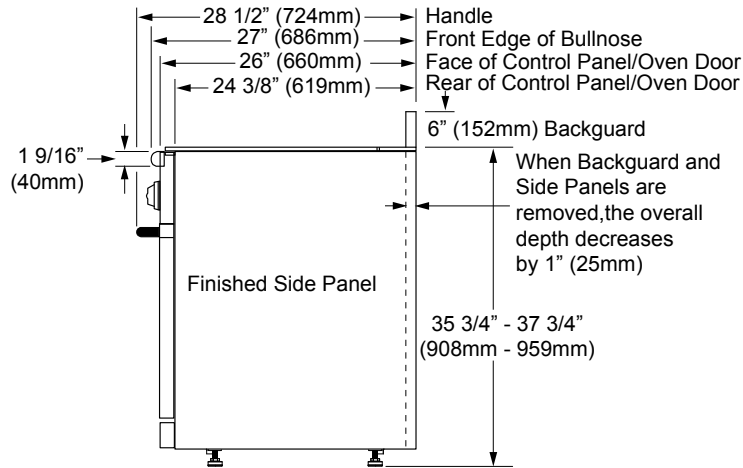
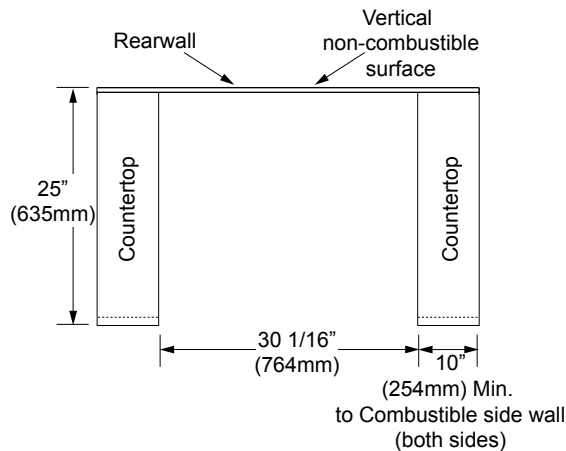


# EGR30



**SIDE VIEW**

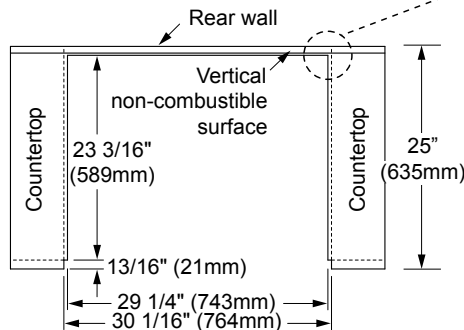
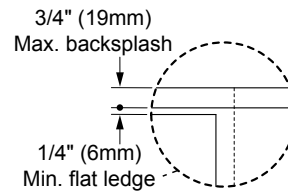


**TOP VIEW  
COUNTERTOP CABINET DIMENSIONS**  
(Slide-In, Freestanding Installation)



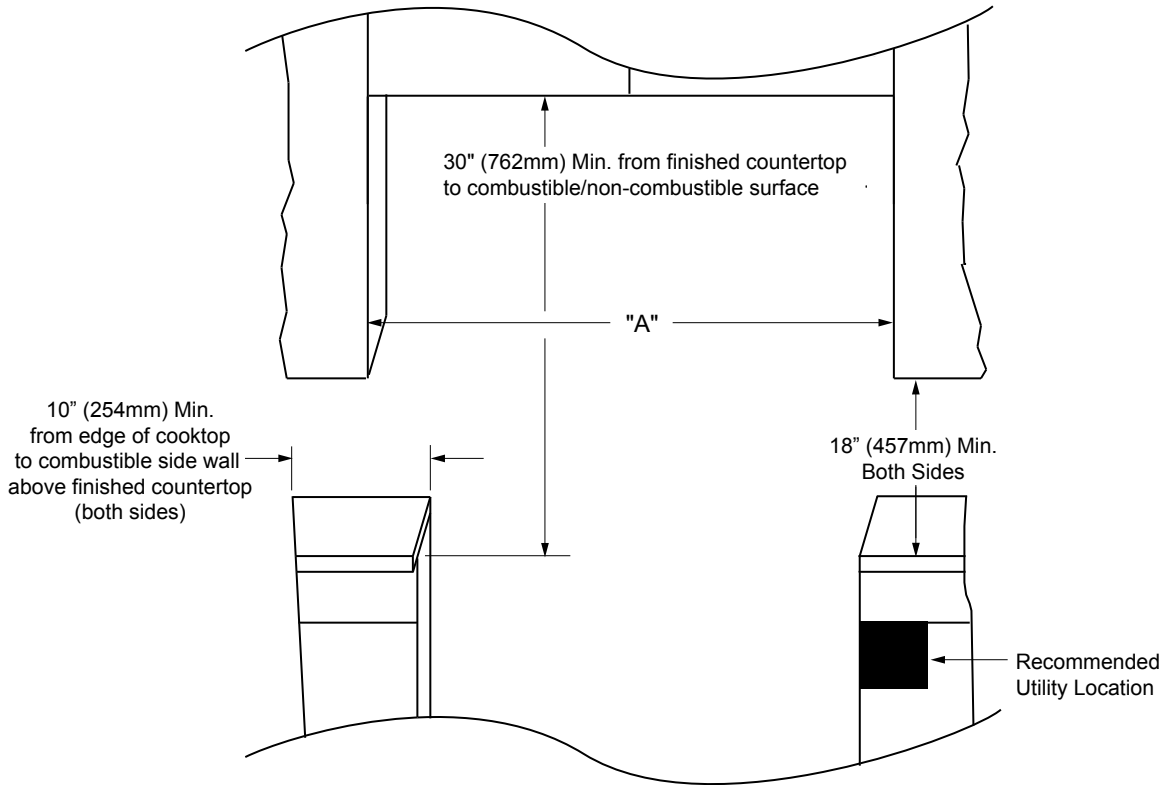
**NOTE:**

1. When backguard is removed, the side panels must be removed.



**TOP VIEW  
CUTOUT DIMENSIONS**  
(Slide-In, Self-Rimming Installation with Side Panels and Backguard Removed)

# EGR30



**UPPER CABINET DIMENSIONS**  
(Upper Cabinets 13" (330mm) Maximum Depth)

Model No.	"A" Minimum Hood Width	"A" Recommended Hood Width
EGR30	30" (762mm)	36" (914mm)
EGR30LP		

Model No.	Dedicated Circuit Required	Total Connected Load	Gas Type	Approximate Shipping Weight
EGR30	120VAC, 60Hz, 15A (Breaker)	0.7kW (7A)	Natural	377 lbs.
EGR30LP			Liquid Propane	

**NOTES:**

1. Utilities may be located in the lower left corner of the adjacent right cabinet. (Recommended)
2. Contact your local building department to verify compliance with local code interpretation.
3. Dacor rear top trim (part# 26793; shipped with unit) must be used if backguard and side panels are removed.
4. See the Combination Installation (CI) Section if installing with a downdraft.