



Side by Side Refrigerator

PRODUCT MODEL NUMBERS

ED2CHQXK	ED5FHGXS
ED2FHEXS	ED5FVEXS
ED2FHGXS	ED5FVGXS
ED2JHGXR	ED5JHGXR
ED2PHEXR	ED5PHEXR
ED2PHGXR	ED5PHGXR
ED5CHQXK	ED5VHGXM
ED5FHEXS	

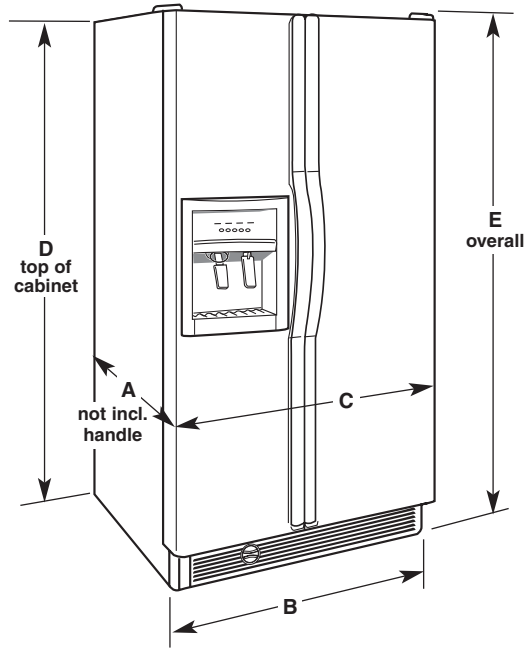
Electrical: A 115 Volt, 60 Hz., AC only 15 or 20 amp fused, grounded electrical supply is required. It is recommended that a separate circuit serving only your refrigerator be provided. Use an outlet that cannot be turned off by a switch. Do not use an extension cord.

Water: A cold water line with water pressure between 30 and 120 psi (207 - 827 kPa) is required for the water dispenser and ice maker.

Reverse osmosis water supply: The pressure of the water supply coming out of a reverse osmosis system going to the water inlet valve of the refrigerator needs to be between 30 and 120 psi (207 - 827 kPa).

If a reverse osmosis water filtration system is connected to your cold water supply, the water pressure to the reverse osmosis system needs to be a minimum of 40 to 60 psi (276 - 414 kPa).

OVERALL DIMENSIONS

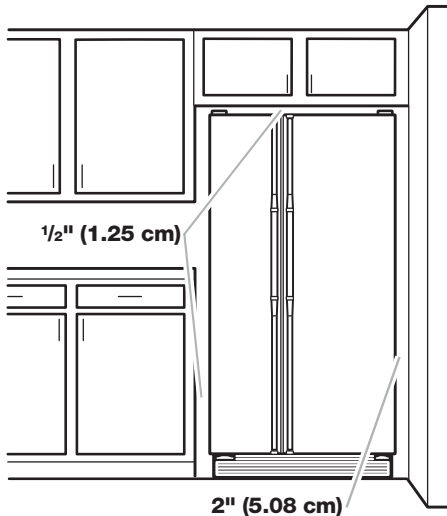


Handle and door style will vary with model.

Dimensions "D" and "E" include rollers extended 3/4".

Model size	Depth "A"	Cab. Width "B"	Door Width "C"	Cab. Height "D"	Overall Height "E"
22 cu.ft.	31 3/8"	32 3/4"	33 1/8"	65 7/8"	66 3/4"
25 cu.ft.	31 3/8"	35 1/2"	36"	68 7/8"	69 3/4"

LOCATION REQUIREMENTS



To ensure proper ventilation for your refrigerator, allow for 1/2" (1.25 cm) space on each side and at the top. When installing your refrigerator next to a fixed wall, leave 2" (5.08 cm) minimum on each side (depending on your model) to allow for the door to swing open. If your refrigerator has a water dispenser and ice maker, allow extra space at the back for the water line connections.

NOTE: Do not install the refrigerator near an oven, radiator, or other heat source, nor in a location where the temperature will fall below 55°F (13°C).